

---

# [WW800T] WW90T936DSH/S3 EXPLODED VIEWS AND PARTS LIST

---

## [MATERIAL CODE STANDARDS]

Material codes and names and their respective naming rules are managed in accordance with the prescribed standards. Please refer to these standards when requesting a material.

### 1. Material Code Type

● : Number

■ : Letter (Alphabet)

<b>Type 1</b>	● ● ● ● - ● ● ● ● ● ● ex) 0204-000418 FREON	<b>Enterprise-wide parts</b> Type 1 materials can be used for all Samsung Electronics products. (Most electrical parts belong to this type.)
<b>Type 2</b>	■ ■ ● ● - ● ● ● ● ● ■ ex) DC96-01390A ASSY-CONTROL	<b>Division-wide parts (DC**-Washing machine)</b> Type 2 materials can be used for specific products. (Most instruments and tools belong to this type.)

### 2. Ass'y Materials

All ass'y material codes start with DC9\*.

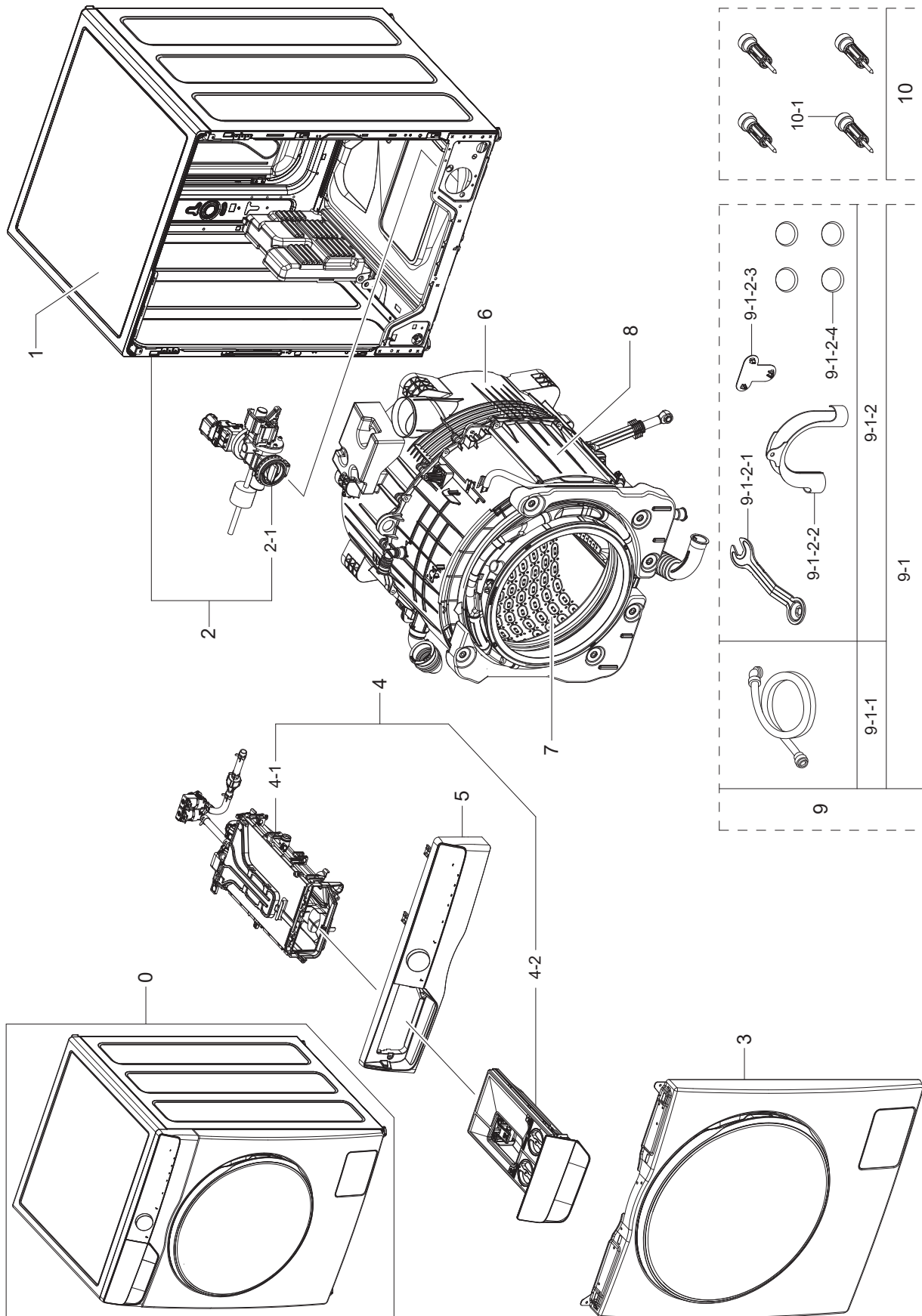
An ass'y material is created by combining more than two materials. If a requested material cannot be provided, you can request an ass'y material that contains that material.

3. For information about purchasing parts and tool, please visit <http://www.samsung.com/support>

4. The part that is assigned as SA (service available) will be able to purchase.

The part that is assigned as SNA ( service not available) will not supply, in result, not available in the market.

# 1. MAIN (WW90T936DSH/S3)

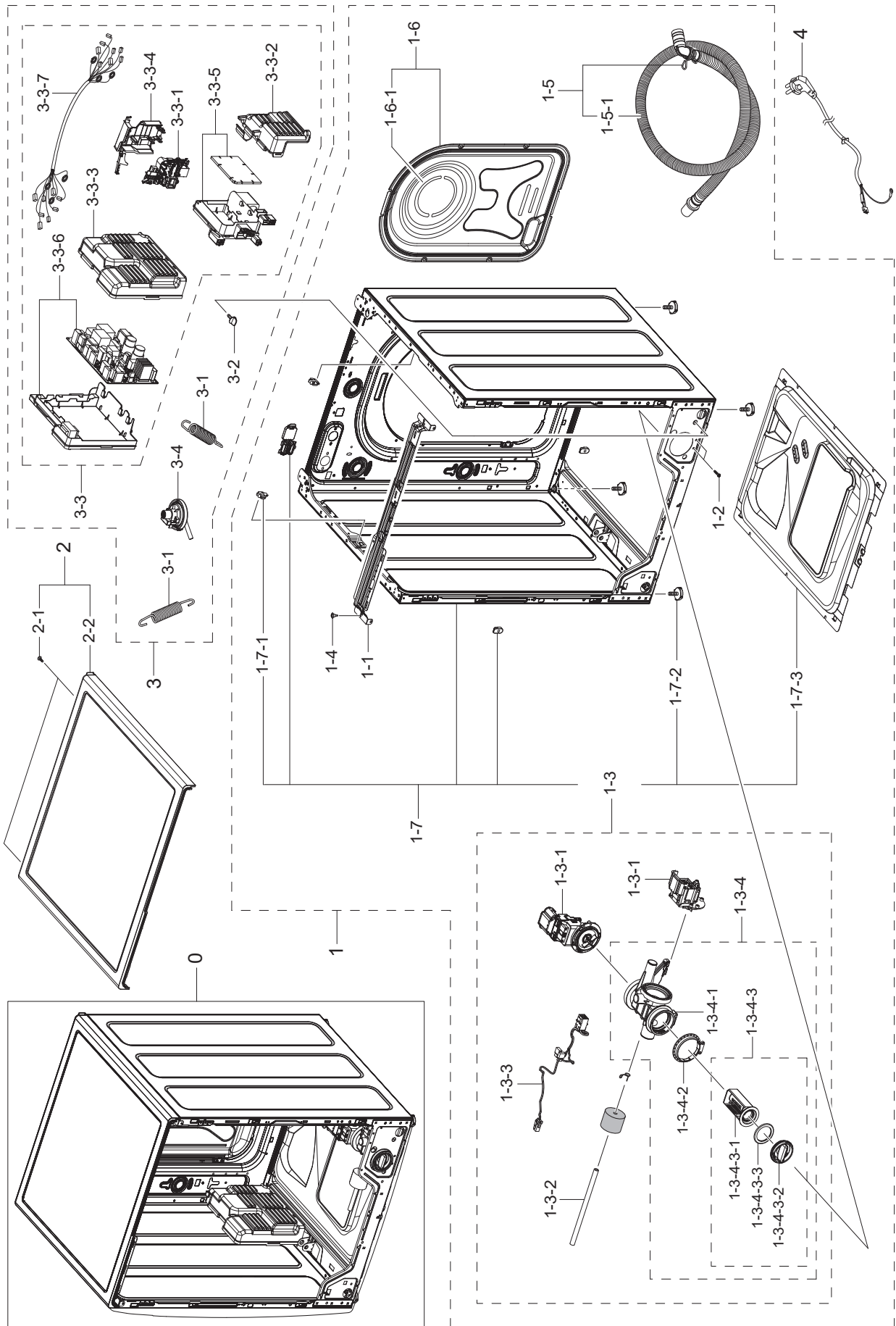


## MODEL CODE (WW90T936DSH/S3 )

Service Bom (SA: SERVICE AVAILABLE, SNA: SERVICE NOT AVAILABLE)

Drawing No.	Code No.	Description	Specification	QTY	Un	SA/SNA
0	WW90T986DSH/S1	ASSY-WASHING MACHINE	WW8000T			
1	DC90-28652J	ASSY COVER TOP PARTS	WW7000T,WW10T754DBH/S3	1	PC	SNA
2	DC90-28652R	ASSY FRAME PARTS	WW90T986DSH/S1	1	PC	SNA
2-1	DC97-15696P	ASSY PUMP DRAIN	GCO11,WW8GM642O2W/ EG,BUBBLE,220V	1	PC	SNA
3	DC90-28712C	ASSY FRONT PARTS	WW8000T,WHITE,NO AW Bes	1	PC	SNA
4	DC90-28652S	ASSY DRAWER PARTS	WW90T986DSH/S1	1	PC	SNA
4-1	DC97-22235C	ASSY DRAWER	WW8000T AOW,WHITE- SILVER	1	PC	SNA
4-2	DC97-22238C	ASSY HOUSING DRAWER	WW7000T,HEBA 58 AOW	1	PC	SNA
5	DC90-28652X	ASSY PANEL CONTROL PARTS	WW90T986DSH/S1	1	PC	SNA
6	DC90-28652U	ASSY TUB BACK PARTS	WW90T986DSH/S1	1	PC	SNA
7	DC90-28652V	ASSY DRUM PARTS	WW90T986DSH/S1	1	PC	SNA
8	DC90-28652W	ASSY TUB FRONT PARTS	WW90T986DSH/S1	1	PC	SNA
9	DC90-28603V	ASSY ACCESSORY PARTS	WD80T534DBN/S1	1	PC	SNA
9-1	DC98-04384C	ASSY ACCESSORY	U-PJT HEBA 58,WD80T534DBN	1	PC	SNA
9-1-1	DC97-16921A	ASSY HOSE WATER	WA5700J	1	PC	SC
9-1-2	DC98-04384D	ASSY ACCESSORY	U-PJT HEBA 58,WD80T534DBN/S1	1	PC	SNA
9-1-2-1	DC60-00104A	FASTENER-BOLT	ALL,CR-SPCC,2.0,L113.5	1	PC	SA
9-1-2-2	DC62-10278A	HOSE HANGER	PUMP MODEL,PP,ID27,T1.5,HS95,BLACK	1	PC	SA
9-1-2-3	DC67-00208B	CAP-FIXER	WF8602NHS/XFA,PP,T1.5,P535-H,BLACK,RECYCLE PP	1	PC	SA
9-1-2-4	DC67-00307A	CAP-FIXER	WF438AAC/ XAA,PP,T1.5,RECYCLE,BLACK,RM60	4	PC	SA
10	DC97-14653C	ASSY FIXER TUB	SCOUT,WF0804Y8E/XEF	4	PC	SA
10-1	DC60-60044B	WASHER PLAIN	WW65R20GLSW/TL,PO-SPHC,T2	1	PC	SA

## 2. ASSY FRAME & COVER PARTS (WW90T936DSH/S3)



## MODEL CODE (WW90T936DSH/S3)

Service Bom (SA: SERVICE AVAILABLE, SNA: SERVICE NOT AVAILABLE)

Drawing No.	Code No.	Description	Specification	QTY	Un	SA/SNA
0		ASSY FRAME & INNER PARTS	WW8000T	1		
1	DC90-28652R	ASSY FRAME PARTS	WW90T986DSH/S1	1	PC	SNA
1-1	DC61-05248B	FRAME PLATE-UP	WW7000T,GI-SGCC,T1.4	1	PC	SA
1-2	DC97-14006C	ASSY SCREW	GRIFFIN-PJT,WF9904RWE,SWRCH18A,M4*L16	2	PC	SNA
1-3	DC97-15696P	ASSY PUMP DRAIN	GCO11,WW8GM642O2W/EG,BUBBLE,220V	1	PC	SNA
1-3-1	DC31-00181A	MOTOR AC PUMP	"Drum&Auto,B15-6A/S3019/S3032/PX2025-1,2Pole,220-240V,50Hz,0.33A,35W,5to+60C,3000rpm,130~145C,0.64CFM"	2	PC	SA
1-3-2	DC67-00244C	HOSE DRAIN	"WF0804Y8E,EPDM,ID6,OD11,T2.5,L320,BLACK,SCOUT"	1	PC	SA
1-3-3	DC96-01567C	ASSY WIRE HARNESS	"AEGIS 3- PJT,WF0702WKN/XSC,220V,50Hz,7kg,1200RPM,PUMP WIRE"	1	PC	SA
1-3-4	DC97-19914A	ASSY CASE FILTER	BUBBLE	1	PC	SA
1-3-4-1	DC61-02271B	CASE PUMP	"WF0804Y8E/XEF,PP,T2.5,W153.6,L133.2,WHITE,2WAY"	1	PC	SA
1-3-4-2	DC69-01128A	PACKING-PUMP	WF8804DP,IIR,BUTYL,T2.5,HEBA-PJT,BLK	1	PC	SA
1-3-4-3	DC97-15695C	ASSY FILTER	Heba,WF9904CWN1	1	PC	SA
1-3-4-3-1	DC63-00998A	FILTER PUMP	SCOUT-PJT,PP,W52.8,L93.1,NEAT WHITE,BUBBLE	1	PC	SA
1-3-4-3-2	DC64-02783A	HANDLE FILTER	WF350ANW/XAA,PP,T2.3,W63.8,NATURAL,BIG_HANDLE-FILTER	1	PC	SA
1-3-4-3-3	DC73-00022A	SEAL PACKING	SEW-HVR149ATA,EPDM,BLACK	1	PC	SA
1-4	DC97-15858A	ASSY SCREW	trumph-PJT,WF-F1061/YLP,SWRCH18A	2	PC	SNA
1-5	DC97-20913B	ASSY HOSE DRAIN(O)	Heba,1870,ID20.5	1	PC	SA
1-5-1	DC67-00992A	HOSE PUMP	Heba,PP,ID20.5,T1,LIGHT GRAY	1	PC	SA
1-6	DC97-21048A	ASSY COVER BACK	"WW6000T,WW90T654DLH/S6,U-PJT wash model"	1	PC	SNA
1-6-1	DC63-00862C	COVER BACK	WF8600NMW,GI-SGCC,T0.35,W352,L558.7,NATURAL	1	PC	SA
1-7	DC97-22342A	ASSY FRAME-MODULE	WW8000T,WW90T986DSH/S1	1	PC	SA
1-7-1	DC61-02065A	GUIDE SPRING	WF448AAG/XXA,POM,T4,W24,L36.8,WHITE	2	PC	SA
1-7-2	DC97-00920W	ASSY LEG	WW6000T,WD90T654DBH/S1,48.5,M10,1.5,BUTYL	4	PC	SA
1-7-3	DC97-14642K	ASSY PLATE BOTTOM	WW7800M,WW90M76GN2A/EC	1	PC	SNA
2	DC90-28652J	ASSY COVER TOP PARTS	WW7000T,WW10T754DBH	1	PC	SNA
2-1	6002-001438	SCREW-TAPPING	HWH,+,NO.1,M5,L12,ZPC(WHT),SWRCH18A,SEPERATOR	2	PC	SNA
2-2	DC97-18680P	ASSY COVER TOP	WW7800M 1600RPM,WW90M76NOA/EN,DA WHITE,9KG (BLACK SPONGE)	1	PC	SA
3	DC90-28708F	ASSY INNER PARTS	WW90T936DSX/S1,NO AW,AO	1	PC	SNA
3-1	DC61-02029D	SPRING HANGER	WW6800M,HSWR,3.5mm,OD26,L148,Heat treatment	2	PC	SA

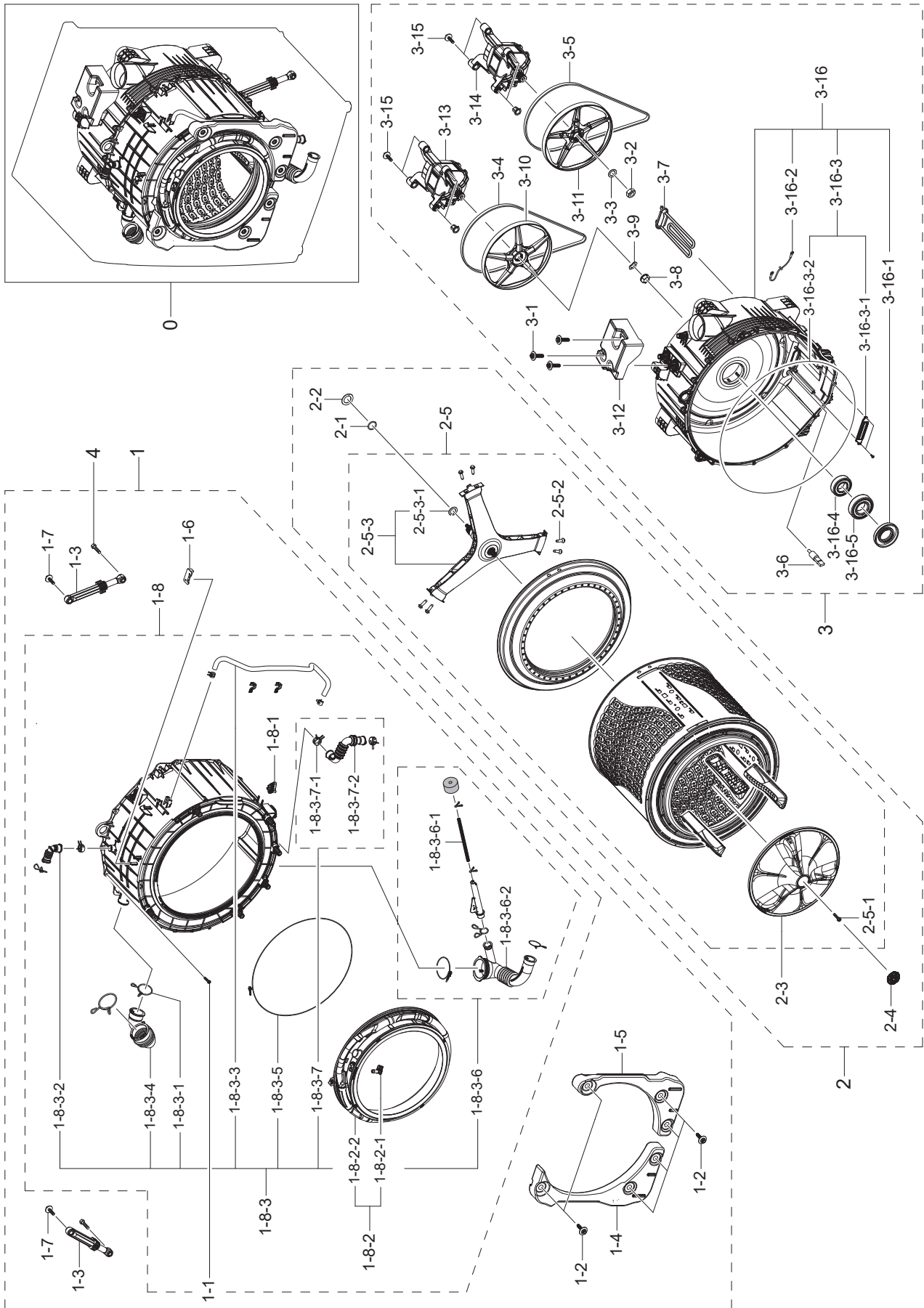
---

## MODEL CODE (WW90T936DSH/S3)

Service Bom (SA: SERVICE AVAILABLE, SNA: SERVICE NOT AVAILABLE)

Drawing No.	Code No.	Description	Specification	QTY	Un	SA/SNA
3-2	DC61-10673C	CAP DRAIN	WF1802XEY/XSC,PP,BLACK	1	PC	SA
3-3	DC92-02789D	ASSY COVER PCB W/ HARNESS	WW90T936DSX/S1	1	PC	SNA
3-3-1	DC34-00028B	SWITCH DOOR LOCK	AC250V,16A,SOLENOID, DOOR SENSING, CAM	1	PC	SA
3-3-2	DC63-02152A	COVER PCB	MK,ABS,T2.5,5VA,NATURAL,VE-0858	1	PC	SA
3-3-3	DC63-02598A	COVER PBA	"WW6000T(F500E-SSEC),ABS,T2.5,5 VA,NATURAL,VE-0858"	1	PC	SA
3-3-4	DC63-02602A	COVER DOOR SWITCH	WW6000,PP,T2.5,5VA,NATURAL,FH44N	1	PC	SA
3-3-5	DC92-02139D	ASSY PCB KIT	"FWM,WW9000T,121*160,220 V,15.6V,5V,Q-DRIVE INV, 10A IPM,Y,SMPS,Standard"	1	PC	SA
3-3-6	DC92-02736A	ASSY HOLDER PCB	WW8000T,DC94-10794A,Y,SM	1	PC	SA
3-3-7	DC93-00888M	ASSY WIRE HARNESS-MAIN	DRUM-M,WW90T936DS	1	PC	SA
3-4	DC96-01703G	SENSOR PRESSURE	Air,5V,L0,400mmH2O	1	PC	SA
4	DC39-00067A	POWER CORD-AT	H05VV-F 3x1.5mm2,GRY,EU3F,	1	PC	SA

### 3. ASSY TUB & DRUM PARTS (WW90T936DSH/S3)



## MODEL CODE (WW90T936DSH/S3)

Service Bom (SA: SERVICE AVAILABLE, SNA: SERVICE NOT AVAILABLE)

Drawing No.	Code No.	Description	Specification	QTY	Un	SA/ SNA
0		ASSY TUB & DRUM PARTS	WW8000T	1		
1	DC90-28652W	ASSY TUB FRONT PARTS	WW90T986DSH/S1	1	PC	SNA
1-1	6009-001367	BOLT-HEX	"M6.5,L32,ZPC(WHT),HWH,+ ,SWRCH 18A,HWH Head"	15	PC	SNA
1-2	6011-003934	BOLT-HEX	M7.6,L48,ZPC(WHT),SCM 435,WASHER	6	PC	SA
1-3	DC66-00470G	DAMPER SHOCK	"24"" Drum,PP/RUBBER/STS,BLACK, 80N, FREESTROKE 6mm"	2	PC	SA
1-4	DC67-00944A	WEIGHT BALANCER-LEFT	WW7800M,CONCRETE,T1.8,BLACK	1	PC	SA
1-5	DC67-01112A	WEIGHT BALANCER-RIGHT	WW6800T,PP	1	PC	SA
1-6	DC93-00278G	ASSY MODULE	MEMS SENSOR,Seine 1600,"3.3V, WIRE 270mm",Y	1	PC	SA
1-7	DC97-14263A	ASSY BOLT	MOTOR/ BOLT(M8)+WASHER(OD27.5),,,,,,	2	PC	SA
1-8	DC97-20524J	ASSY SEMI TUB FRONT	WW90T986DSH/S1	1	PC	SA
1-8-1	DC32-00018A	SENSOR PHOTO	RCM-A301,5V	1	PC	SA
1-8-2	DC97-20515A	ASSY DIAPHRAGM	WW6800M	1	PC	SA
1-8-2-1	DC62-00349A	NOZZLE DIAPHRAGM	WF457ARGSGR,PP,OD11,GRAY, FC2210-G246	1	PC	SA
1-8-2-2	DC64-03690A	DOOR DIAPHRAGM	WW6800N,EPDM,T1.5,EPDM,LIGHT GRAY	1	PC	SA
1-8-3	DC97-20566A	ASSY TUB FRONT	MK-PJT,WW6800M	1	PC	SNA
1-8-3-1	DC65-60118R	CLIP RING	AEGIS-PJT,HSWR-SWRH,T3.0,ID37	1	PC	SA
1-8-3-2	DC67-00354A	HOSE AIR	HEBA PJT,EPDM,BLACK,18.3g	1	PC	SA
1-8-3-3	DC67-00606A	HOSE AIR	AEGIS 2A COMBO BUBBLE-PJT,EPD M,ID9.0,OD14.0,T2.5,L620,BLACK	1	PC	SA
1-8-3-4	DC67-00674A	HOSE DRAWER TUB	"SEINE COMBO,EPDM,ID34.9,OD48.0 ,T2.0,BLACK,SEINE COMBO"	1	PC	SA
1-8-3-5	DC91-12077G	ASSY CLAMP DIAPHRAGM	AEGIS,WF8500NHW/YLP	1	PC	SA
1-8-3-6	DC97-14637R	ASSY HOSE PRESSURE	600mmH20,No PBA,Hook	1	PC	SNA
1-8-3-6-1	DC67-00230B	HOSE WATER	"WF8800,TPE,ID4.5,OD8.0,T1.75,L679,L 725,L679,BLACK,HEBA-PJT"	1	PC	SC
1-8-3-6-2	DC67-00335A	HOSE FILTER TUB	"AEGIS-PJT,EPDM,ID64.5;ID21.6 ;ID30,T1.5,HRC50,BLK,RIPPLE STRUCTURE"	1	PC	SA
1-8-3-7	DC97-17515B	ASSY HOSE AIR	MK-PJT,6800M/7800M,BUBBLE	1	PC	SA
1-8-3-7-1	DC61-00158A	CLAMPER HOSE	SW65ASP,SK5,ID23,T0.8,-,-,-,-	2	PC	SA
1-8-3-7-2	DC67-00526A	HOSE AIR TUB	AEGIS3-PJT,EPDM,T2.8,BLACK	1	PC	SA
2	DC90-28652V	ASSY DRUM PARTS	WW90T986DSH/S1	1	PC	SNA
2-1	6044-001781	RING-OG	ID33,OD36.4,T1.8,BLK,NBR	1	PC	SA
2-2	DC60-00132A	WASHER-SPRING	STS304,T0.5,ID35.2,OD39.2,H2.2	1	PC	SA
2-3	DC97-20490A	ASSY PULSATOR	WW6800N,1400RPM	1	PC	SA
2-4	DC97-20943A	ASSY PULSATOR CAP	WW8800M.WD8800N	1	PC	SA

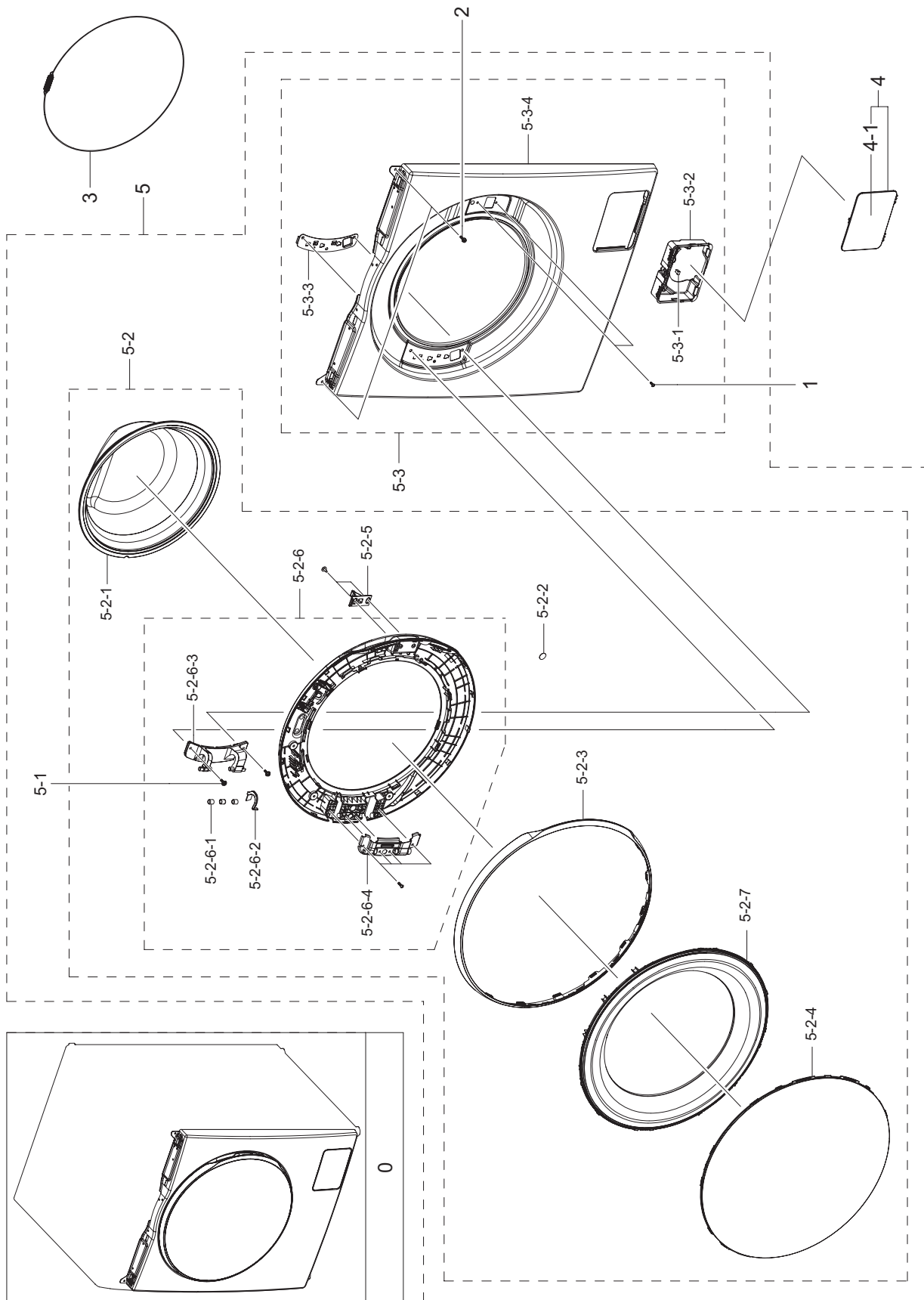


## MODEL CODE (WW90T936DSH/S3)

Service Bom (SA: SERVICE AVAILABLE, SNA: SERVICE NOT AVAILABLE)

Drawing No.	Code No.	Description	Specification	QTY	Un	SA/ SNA
2-5	DC97-22362A	ASSY DRUM	Q-DRIVE-WW8000T,1600RPM,H	1	PC	SA
2-5-1	DC60-00135A	BOLT PULSATOR	Q-DRIVE,STS430,L28,WASHER SPRING,WASHER PLANE	1	PC	SA
2-5-2	DC60-40137A	BOLT HEX	MARS-PJT,STS430,M8,P1.25,L30, HEX/ KNURING	6	PC	SA
2-5-3	DC97-20794B	ASSY FLANGE SHAFT	WW8800M,2 BEARING TYPE_7kg 1600rpm	1	PC	SA
2-5-3-1	6044-001198	RING-C	ID13.8,OD17.2,T1.0,SK5	1	PC	SA
3	DC90-28652U	ASSY TUB BACK PARTS	WW90T986DSH/S1	1	PC	SNA
3-1	6011-003934	BOLT-HEX	M7.6,L48,ZPC(WHT),SCM 435,WASHER	3	PC	SA
3-2	6021-001588	NUT-HEXAGON	1C,M10x1.5,ZPC(WHT),SM20C,NYLO N,LOCTITE	1	PC	SA
3-3	6031-002861	WASHER-SPRING	SK5,ID11.2,OD22.5,T1.25,DUAL WASHER-PJT	1	PC	SA
3-4	6602-003993	BELT-TIMING GEAR	5J,RUBBER,T3.2,W11.7,L1214,BLK	1	PC	SNA
3-5	6602-003999	BELT-TIMING GEAR	5J,RUBBER,T3.2,W11.7,L1157,BLK	1	PC	SNA
3-6	DC32-00010C	THERMISTOR	WASHER,-10~100,5,5,3.243k ± 2%(60□)	1	PC	SA
3-7	DC47-00033B	HEATER WASH	AC230V,2000W,SUS316L,728mm,NO N,#250,MgO	1	PC	SA
3-8	DC60-00128A	NUT SPIN	DUAL DRIVE,ZNDC,11mm,M28*1.5	1	PC	SNA
3-9	DC60-60011B	WASHER WAVE	STS301,ID28.7,OD42,T0.8,ACP	1	PC	SA
3-10	DC66-00936A	PULLEY MOTOR	DUAL DRIVE,ALDC,NATURAL,OD265.0, DURM	1	PC	SNA
3-11	DC66-00937A	PULLEY MOTOR	"DUAL DRIVE,ALDC,NATURAL,OD235 .0,PULSATOR"	1	PC	SNA
3-11	DC97-20882A	ASSY SEMI TUB BACK	"WW7800M 1600RPM,WW90M760NOA/EN"	1	PC	SA
3-12	DC67-00993B	WEIGHT BALANCER-UP	WW6800M,CONCRETE,NATURAL	1	PC	SA
3-13	DC93-00316F	ASSY MOTOR BLDC	WW8800T,WDM500FGB,F,DC310V,F REE,1600	1	PC	SA
3-14	DC93-00586D	ASSY MOTOR BLDC	WW7800M,WDM350FGA,F,DC310V (PWM AC 0~220V),FREE,1400	1	PC	SA
3-15	DC97-14263A	ASSY BOLT	MOTOR/ BOLT(M8)+WASHER(OD27.5),,,,,,	4	PC	SA
3-16-1	DC62-00156A	SEAL OIL	TS85-PJT,NBR,BLK	1	PC	SA
3-16-2	DC96-01327D	ASSY WIRE HARNESS- EARTH	DRUM-M,WF1124ZAQ/XEF,TUB EARTH WIRE	1	PC	SA
3-16-3	DC97-20523A	ASSY TUB BACK	WW6800M	1	PC	SNA
3-16-3-1	DC61-02664B	BRACKET HEATER	HEBA,STS430,T0.5	1	PC	SA
3-16-3-2	DC69-01769A	PACKING-TUB	ARNO,EPDM,EPDM,T5.5,L1720,BLK	1	PC	SA
3-16-4	6601-002516	BEARING BALL	6306ZZ,ID30,OD72,L19,GCr15	1	PC	SA
3-16-5	6601-002632	BEARING BALL	6307ZZ,ID35,OD80,L21,GCr15	1	PC	SA
4	DC60-40144A	BOLT HEX	F500,SM10C,T10,L35,DAMPER	2	PC	SA

# 4. ASSY FRAME PARTS (WW90T936DSH/S3)

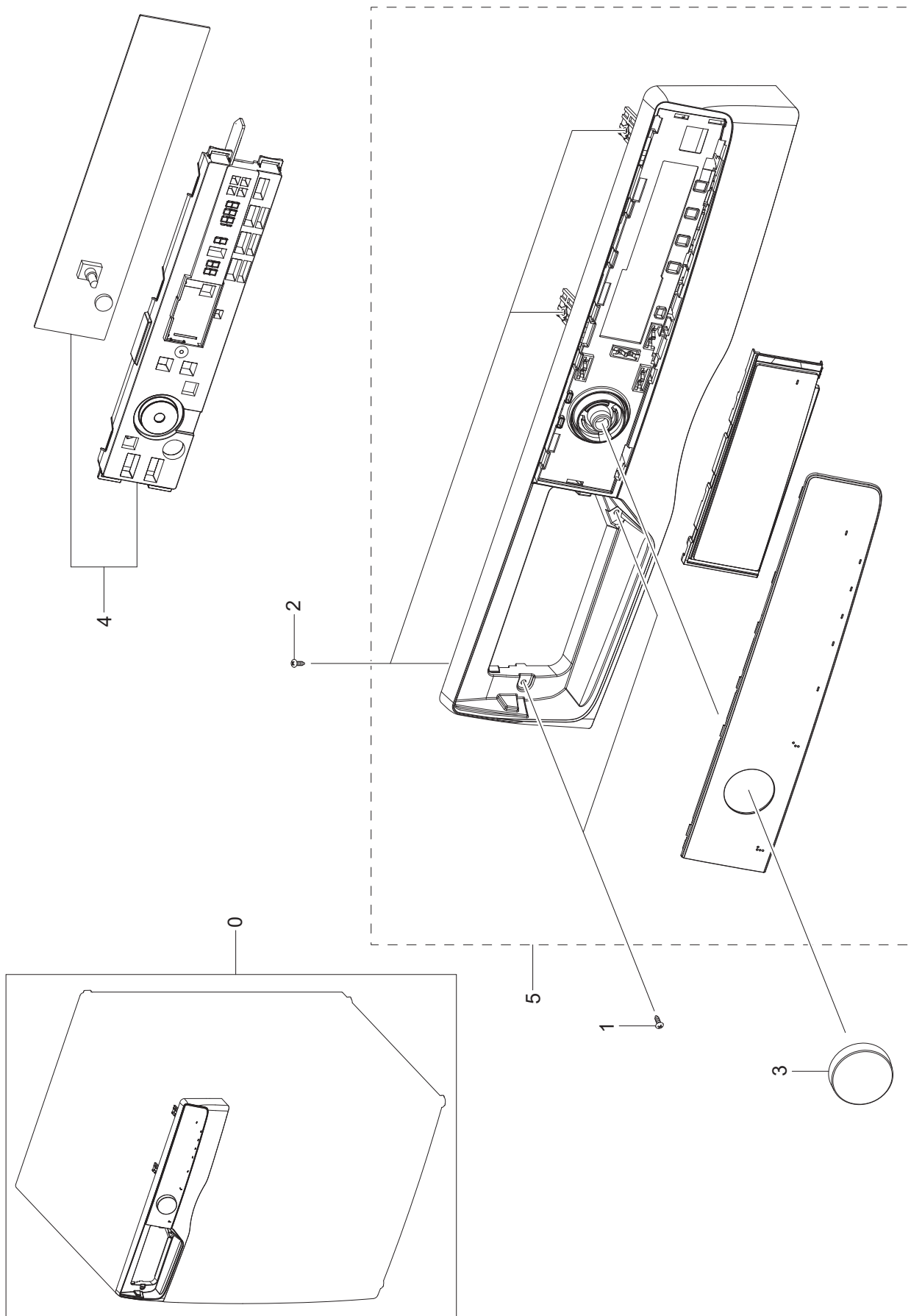


## MODEL CODE (WW90T936DSH/S3)

Service Bom (SA: SERVICE AVAILABLE, SNA: SERVICE NOT AVAILABLE)

Drawing No	Code No.	Description	Specification	QTY	Un	SA/SNA
0	DC90-28712C	ASSY FRONT PARTS	WW8000T,WHITE,NO AW Bes	1	PC	SNA
1	6002-001554	SCREW-TAPPING	BH,+,No,1,M4,L12,STS430,HEAD SIZE OD8.0	2	PC	SNA
2	6006-001174	SCREW-TAPPING	TH,+,WT,2S,M4,L12,ZPC(WHT),SWRCH 18A	3	PC	SNA
3	DC91-12078E	ASSY WIRE DIAPHRAGM	AEGIS,WF8500NHW/YLP,-,-,-,-	1	PC	SA
4	DC97-22290A	ASSY COVER FILTER	WW6000T,ABS,T2.5,DA WH	1	PC	SNA
4-1	DC63-00920M	COVER FILTER	ADD WASH,ABS,T2.5,DA WHITE,	1	PC	SA
5	DC97-22329Q	ASSY FRAME FRONT	WASHER,WW90T936DSH/S3,W	1	PC	SNA
5-1	6009-001522	SCREW-HEX	HWH,+,M5,L16,PASS,STS430,FP,SEA L- LOCK	2	PC	SA
5-2	DC97-22269C	ASSY DOOR	WW8000T,NON ADD WASHER,GRAND B	1	PC	SA
5-2-1	DC64-01790A	DOOR GLASS	AEGIS,GLASS,T5,W353.0	1	PC	SA
5-2-2	DC64-03303A	INLAY-DOOR	WD9500J,PET,T0.3,VERSAILLES GRAY,10.8mm	1	PC	SA
5-2-3	DC64-03949B	DECORATION COVER DOOR	DV90T8240SH/S1,ABS	1	PC	SA
5-2-4	DC64-03953A	DOOR SAFETY	"DV90T5740BV,ABS,T2.5,HB,TX-0510,Grand Blue,TP0107"	1	PC	SA
5-2-5	DC66-00375A	LEVER DOOR	10KG DRUM,ZNDC,T2.5,-,-,-,-,NI COATING	1	PC	SC
5-2-6	DC97-22277A	ASSY HOLDER GLASS	WW8000T,NON ADD WASHER,Versailles Gray	1	PC	SA
5-2-6-1	DC61-00891A	GUIDE HINGE	HAUZEN(DOM),POM,B,white,HINGE	3	PC	SA
5-2-6-2	DC61-02197A	GUIDE WIRE	WD9500JK,POM,T1,M90-44,NATURAL	1	PC	SA
5-2-6-3	DC61-04131A	HINGE DOOR	WW6/5500K,ALDC,T5	1	PC	SA
5-2-6-4	DC61-04134A	BRACKET HOLDER	WW6/5500K,GI-SGCC,T1.2	1	PC	SA
5-2-7	DC63-02608A	COVER GLASS	U-PJT,ABS,T2.5,BLACK CAVIAR,	1	PC	SA
5-3	DC97-22283F	ASSY FRAME FRONT	WW7000T,DA WHITE,Q-DRIV	1	PC	SA
5-3-1	DA66-01072A	LATCH	LATOUR,POM,NATURAL,DC LATCH	1	PC	SA
5-3-2	DC61-01917G	GUIDE FILTER	WW90T754DBX/S6,PP,T2.5,BLACK	1	PC	SA
5-3-3	DC61-01919B	BRACKET HINGE	WW6500K,GI-SGCC,T1.4,N/A	1	PC	SA
5-3-4	DC61-05186A	FRAME FRONT	WW6000,GI-SGCD,DA WHITE,T0.7	1	PC	SA

5. ASSY PANEL CONTROL PARTS (WW90T936DSH/S3)



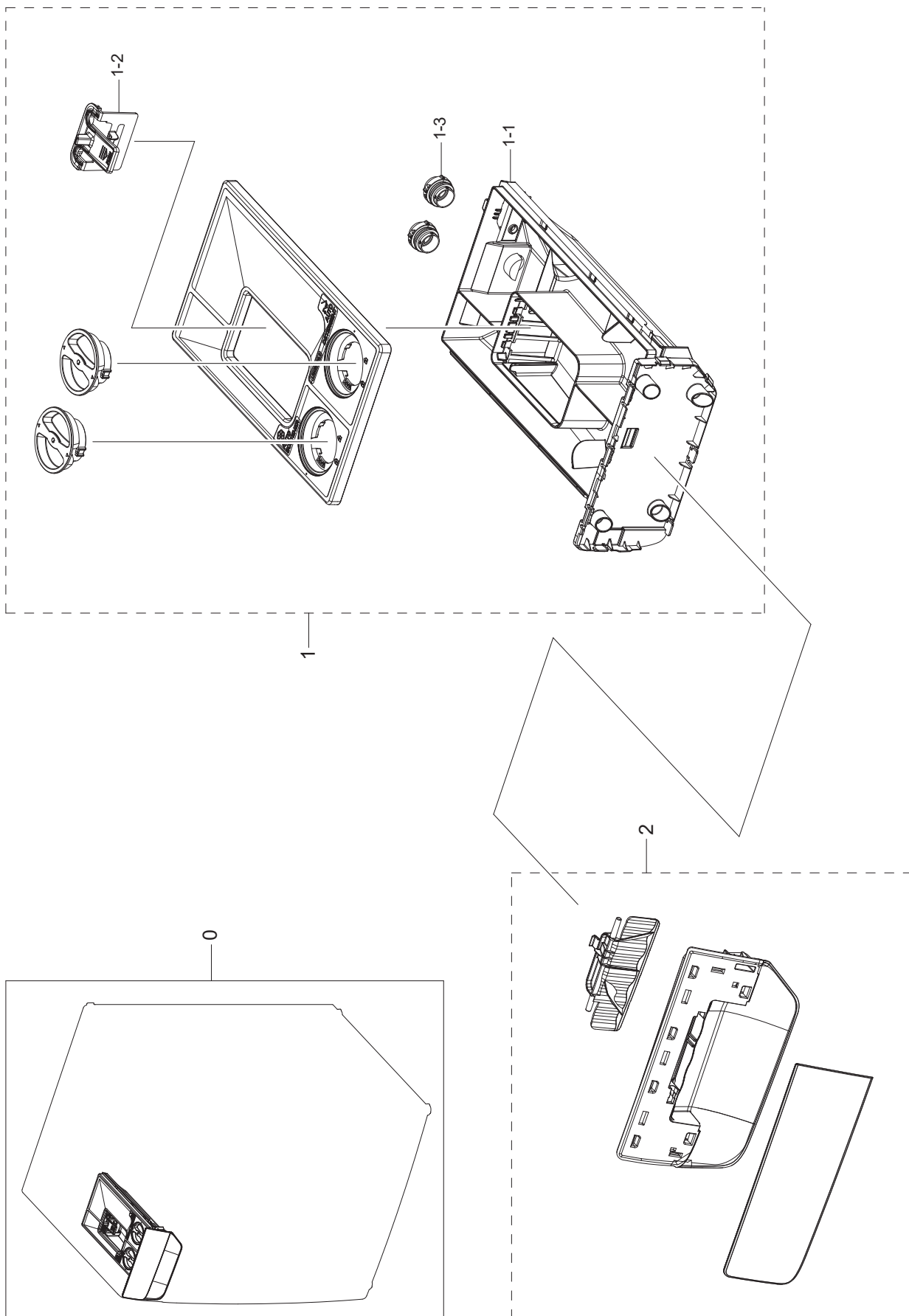
---

## MODEL CODE (WW90T936DSH/S3)

Service Bom (**SA**: SERVICE AVAILABLE, **SNA**: SERVICE NOT AVAILABLE)

Drawing No	Code No.	Description	Specification	QTY	Un	SA/SNA
0	DC90-28652X	ASSY PANEL CONTROL PARTS	WW90T986DSH/S1	1	PC	SNA
1	6002-000445	SCREW-TAPPING	TH,+,NO,2,M4,L18,PASS,STS430	2	PC	SNA
2	6006-001174	SCREW-TAPPING	TH,+,WT,2S,M4,L12,ZPC(WHT),SW RCH18A	3	PC	SNA
3	DC64-03921A	KNOB ENCODER	A1 SIMPLE,ABS,HB,NATURAL,CHROME,MP-0160R,NC0001	1	PC	SA
4	DC92-02642Q	ASSY MODULE	FWM_Touch Display,WW8500T,8key,WIFI(TP2X), S1,Standard	1	PC	SA
5	DC97-22157D	ASSY PANEL CONTROL	WW9800T,WW90T986DSH/KJ,IMD Silver WINDOW PANEL,WHITE BODY,IMD SILVER COVER PANEL	1	PC	SA

## 6.ASSY DRAWER PARTS (WW90T936DSH/S3)

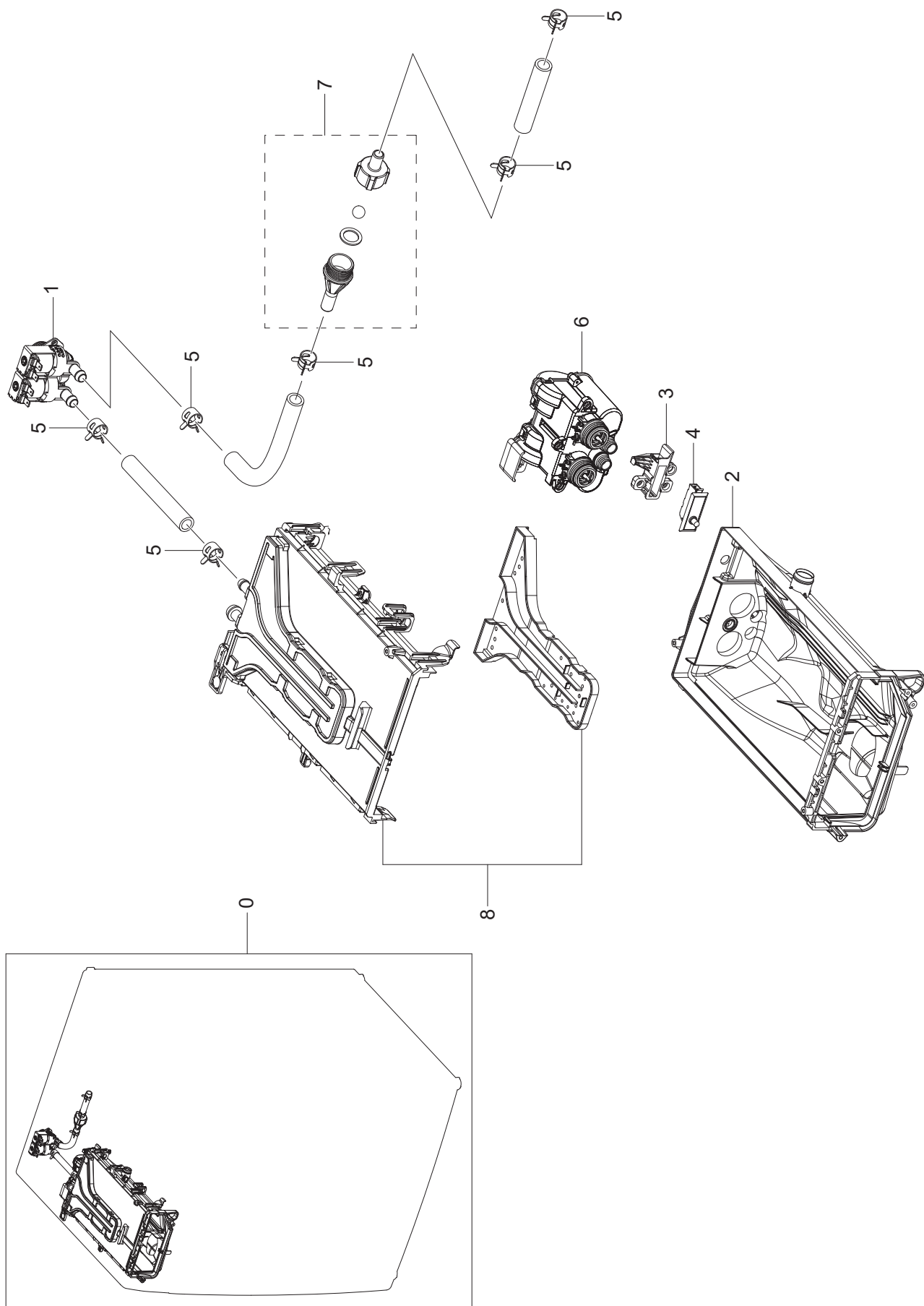


---

**MODEL CODE (WW90T936DSH/S3)**Service Bom (**SA**: SERVICE AVAILABLE, **SNA**: SERVICE NOT AVAILABLE)

Drawing No.	Code No.	Description	Specification	QTY	Un	SA/SNA
0	DC97-22235C	ASSY DRAWER	WW8000T AOW,WHITE- SILVER	1	PC	SNA
1	DC97-22236A	ASSY DRAWER	U-PJT,WW7000T,24inch	1	PC	SA
1-1	DC61-05188A	BODY DRAWER	WW8000T,PP,DA WHITE,FC2305	1	PC	SA
1-2	DC67-00928A	CAP GUIDE WATER	"WW8800M,PP,MT43,Honesty Blue Light,BL0141"	1	PC	SA
1-3	DC97-22023B	ASSY CAP V.W	WF65000T	2	PC	SA
2	DC97-22280A	ASSY PANEL DRAWER	U-PJT,WW8000T IMD,AOW (ASD),WHITE-SILVER	1	PC	SA

# 7. ASSY HOUSING DRAWER (WW90T936DSH/S3)





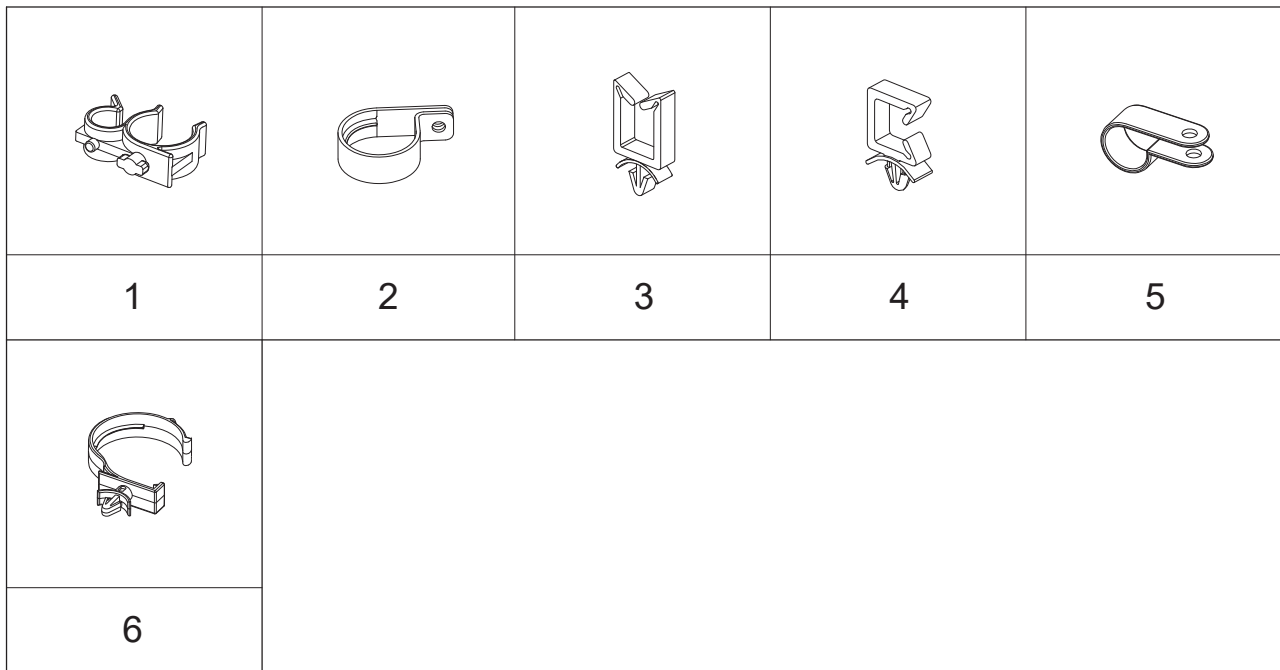
---

## MODEL CODE (WW90T936DSH/S3)

Service Bom (**SA**: SERVICE AVAILABLE, **SNA**: SERVICE NOT AVAILABLE)

Drawing No.	Code No.	Description	Specification	QTY	Un	SA/SNA
0	DC97-22238C	ASSY HOUSING DRAWER	WW7000T,HEBA 58 AOW	1	PC	SNA
1	DC33-01010A	VALVE WATER	DC12V,Bracket,mm,#250,1,2,11-11L/min	1	PC	SA
2	DC61-05190A	HOUSING DRAWER-LOW	WW8000T,PP,T2,NATURAL,FC2305	1	PC	SA
3	DC63-02160A	COVER DOOR SWITCH	WW10M86DQOO/ EU,PP,NATURAL,NC0001, FC2305	1	PC	SA
4	DC64-00828H	SWITCH DOOR	AC125-250V,0.75-1.5A,1BUTTON, WHITE, OP10.0	1	PC	SA
5	DC65-00008B	CLAMPER HOSE	SSEC-GE,SK5,Dacromet,T1.0	6	PC	SA
6	DC97-19821A	ASSY PUMP DRAIN	ASD,WD9500M,12V,DC	1	PC	SA
7	DC97-21031A	ASSY NOZZLE CONNECTOR	WD6800N	1	PC	SA
8	DC97-22239A	ASSY S.HOUSING DRAWER	U-PJT,WW7000T,PP,24inch	1	PC	SA

## 8. SMALL PARTS



### MODEL CODE: WW90T936DSH/S3

Service Bom (**SA**: SERVICE AVAILABLE, **SNA**: SERVICE NOT AVAILABLE)

Drawing No.	Code No.	Description	Specification	InstPoint	QTY	Un	SA/SNA
1	DC61-00133A	CLAMPER HOSE-FIX	P1291,PP,HOSE+PLUG, BJ-750	FRM+H- DRAIN+P-CODE	3	PC	SA
2	DC61-00118A	CLAMP-CABLE	P1291,PA66,ID27,OD30, NATURAL,-,-,NC0001	"H-DRAIN(O) +FRAME"	1	PC	SA
3	DC61-00553B	CABLE CLAMP	DAWS-3NE,PA66,NTR	ASSY PAINT FRAME	1	PC	SNA
4	DC61-00553C	CABLE CLAMP	-,PA66,NTR	ASSY PANEL CONTROL	1	PC	SNA
5	6502-000168	CABLE CLAMP	DA-6N,ID10.0,T1.0,NYLON6/6, NAT	ASSY SEMI TUB FRONT	1	PC	SNA
6	DC61-02879A	HOLDER WIRE	"WF8804CPA,PA,L58.6, NATURAL, 2110R"	FRAME+HOSE(O)	1	PC	SNA

## 9. PARTS LIST (SCREW TYPE)

### MODEL CODE (WW90T936DSH/S3)

Service Bom (SA: SERVICE AVAILABLE, SNA: SERVICE NOT AVAILABLE)

Code No.	Description	Specification	QTY	Un	SA/SNA
6002-001438	SCREW-TAPPING	HWH,+,NO,1,M5,L12,ZPC(WHT)	2	PC	SNA
6003-000226	SCREW-TAPTYPE	TH,+,-,S,M4,L8,ZPC(WHT),SW	2	PC	SNA
6006-001174	SCREW-TAPPING	TH,+,WT,2S,M4,L12,ZPC(WHT)	1	PC	SNA
6002-000444	SCREW-TAPPING	TH,+,2,M4,L14,PASS,STS430	7	PC	SNA
6002-000445	SCREW-TAPPING	TH,+,NO,2,M4,L18,PASS,STS4	3	PC	SNA
6003-001768	SCREW-TAPTYPE	TH,+,WT,S,M4,L10,ZPC(WHT),	1	PC	SNA
6006-001174	SCREW-TAPPING	TH,+,WT,2S,M4,L12,ZPC(WHT)	1	PC	SNA
6002-001554	SCREW-TAPPING	BH,+,No,1,M4,L12,STS430,HE	2	PC	SNA
6002-001006	SCREW-TAPPING	TH,+,-,2S,M4,L12,PASS,STS4	3	PC	SNA
6002-000213	SCREW-TAPPING	TH,+,1,M4,L12,ZPC(WHT),SWR	1	PC	SNA
6002-000213	SCREW-TAPPING	TH,+,1,M4,L12,ZPC(WHT),SWR	2	PC	SNA
6002-000444	SCREW-TAPPING	TH,+,2,M4,L14,PASS,STS430	2	PC	SNA
6002-000445	SCREW-TAPPING	TH,+,NO,2,M4,L18,PASS,STS4	2	PC	SNA
6006-001174	SCREW-TAPPING	TH,+,WT,2S,M4,L12,ZPC(WHT)	3	PC	SNA
6002-000213	SCREW-TAPPING	TH,+,1,M4,L12,ZPC(WHT),SWR	4	PC	SNA
6002-000445	SCREW-TAPPING	TH,+,NO,2,M4,L18,PASS,STS4	4	PC	SNA
6003-001768	SCREW-TAPTYPE	TH,+,WT,S,M4,L10,ZPC(WHT),	2	PC	SNA
6006-001174	SCREW-TAPPING	TH,+,WT,2S,M4,L12,ZPC(WHT)	2	PC	SNA
6009-001343	SCREW-SPECIAL	PH,TORX,M4,L12,ZPC(WHT),SW	2	PC	SNA
DC97-14006C	ASSY SCREW	GRIFFIN-PJT,WF9904RWE,SWRCH18	2	PC	SNA
6002-001436	SCREW-TAPPING	PH,+,2,M4,L18,ZPC(WHT),SWR	6	PC	SNA
DC97-15858A	ASSY SCREW	trumph-PJT,WF-F1061/YLP,SWRCH	2	PC	SNA
6002-001327	SCREW-TAPPING	PWH,+,1,M4,L12,ZPC(WHT),SW	4	PC	SNA
6003-000226	SCREW-TAPTYPE	TH,+,-,S,M4,L8,ZPC(WHT),SW	1	PC	SNA
6006-001174	SCREW-TAPPING	TH,+,WT,2S,M4,L12,ZPC(WHT)	2	PC	SNA
6002-000213	SCREW-TAPPING	TH,+,1,M4,L12,ZPC(WHT),SWR	1	PC	SNA
6001-000115	SCREW-MACHINE	BH,+,M3,L10,ZPC(WHT),SWRCH	2	PC	SNA
6001-000115	SCREW-MACHINE	BH,+,M3,L10,ZPC(WHT),SWRCH	3	PC	SNA
6001-000115	SCREW-MACHINE	BH,+,M3,L10,ZPC(WHT),SWRCH	1	PC	SNA
6002-001554	SCREW-TAPPING	BH,+,No,1,M4,L12,STS430,HE	2	PC	SNA
6006-001174	SCREW-TAPPING	TH,+,WT,2S,M4,L12,ZPC(WHT)	3	PC	SNA
6009-001522	SCREW-HEX	HWH,+,M5,L16,PASS,STS430,FP,SE	2	PC	SA

---

## MODEL CODE (WW90T936DSH/S3)

Service Bom (**SA**: SERVICE AVAILABLE, **SNA**: SERVICE NOT AVAILABLE)

Code No.	Description	Specification	QTY	Un	SA/SNA
6002-000444	SCREW-TAPPING	TH,+,2,M4,L14,PASS,STS430	4	PC	SNA
6002-001279	SCREW-TAPPING	PWH,+,1,M4,L12,PASS,STS430	2	PC	SNA
6002-000445	SCREW-TAPPING	TH,+,NO,2,M4,L18,PASS,STS4	4	PC	SNA
DE60-10080A	SCREW-TAPPING	PWH,+,2S,M5,L9,ZPC(WHT),SW	2	PC	SNA