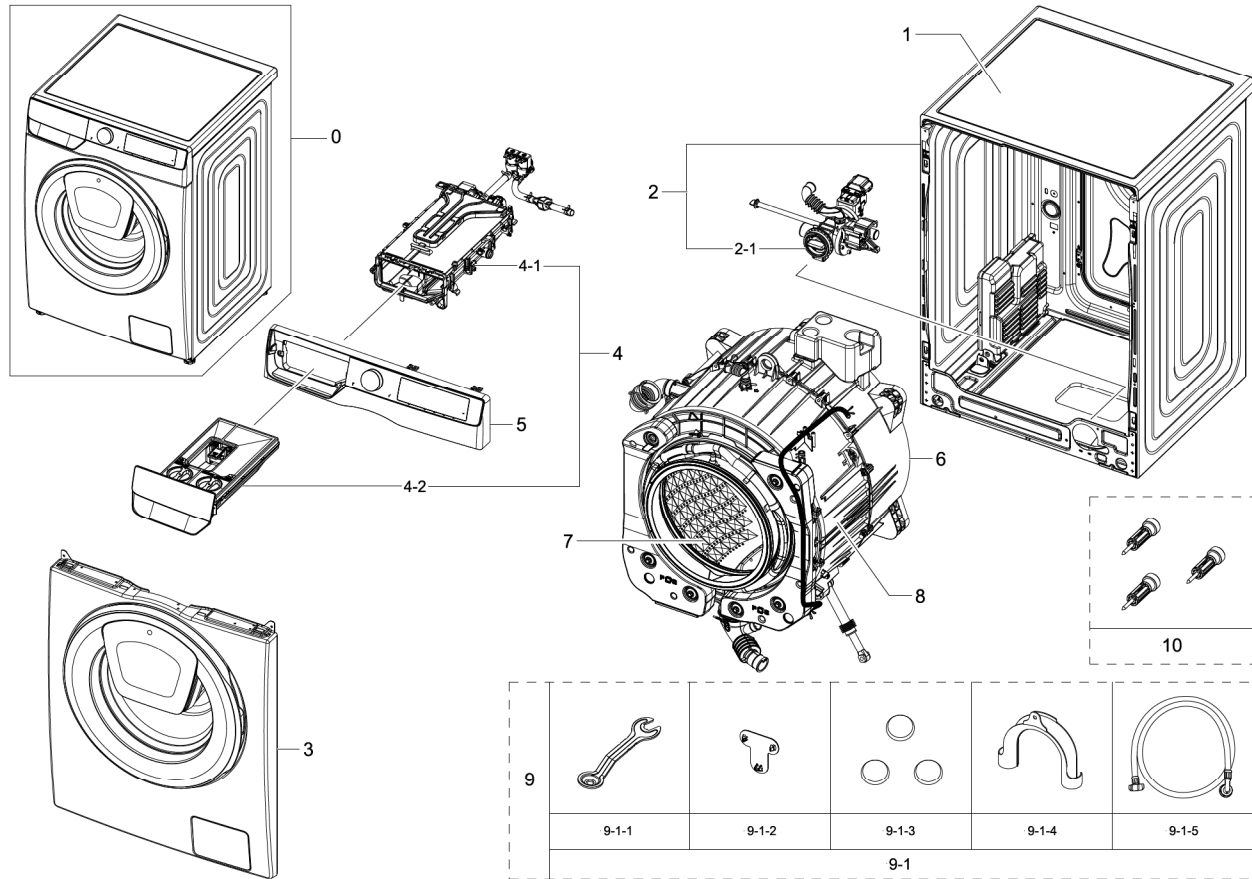


2. Main

Exploded View

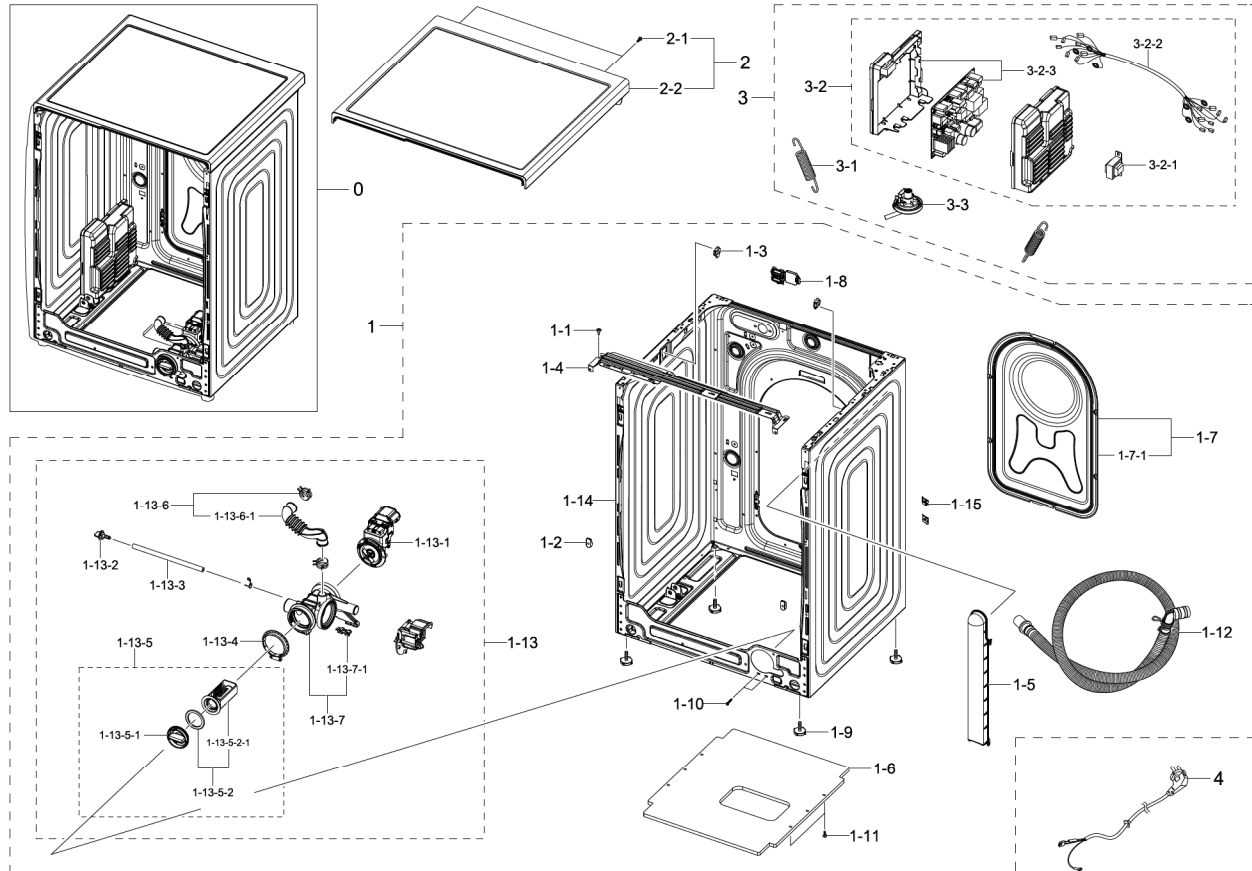


Parts List

No.	Lvl.	Loc.	Material Code	Description & Specification	SNA	Qty.
1	1		DC90-28643B	ASSY COVER TOP PARTS; WW4000T,WW90T4540AX	SNA	1
2	1		DC90-28642H	ASSY FRAME PARTS; WW6000T,WW90T654DLX/S3	SNA	1
2-1	2	W0194	DC97-17336H	ASSY PUMP DRAIN; WW6000T,BUBBLE,250V	SA	1
3	1		DC90-28645D	ASSY FRONT PARTS; WW6000T,WW90T654DLX/S3	SNA	1
4	1		DC90-28644D	ASSY DRAWER PARTS; WW6000T,WW90T634DLN/S1	SNA	1
4-1	2	W0163	DC97-22238F	ASSY HOUSING DRAWER-MODULE; U-PJT (F500),	SA	1
4-2	2	W0216	DC97-22381E	ASSY DRAWER-MODULE; WW5000T,WW90T634DLN/S	SNA	1
5	1		DC90-28641L	ASSY PANEL CONTROL PARTS; WW6000T,WW90T63	SNA	1

3. Assy Frame & Inner Parts

Exploded View

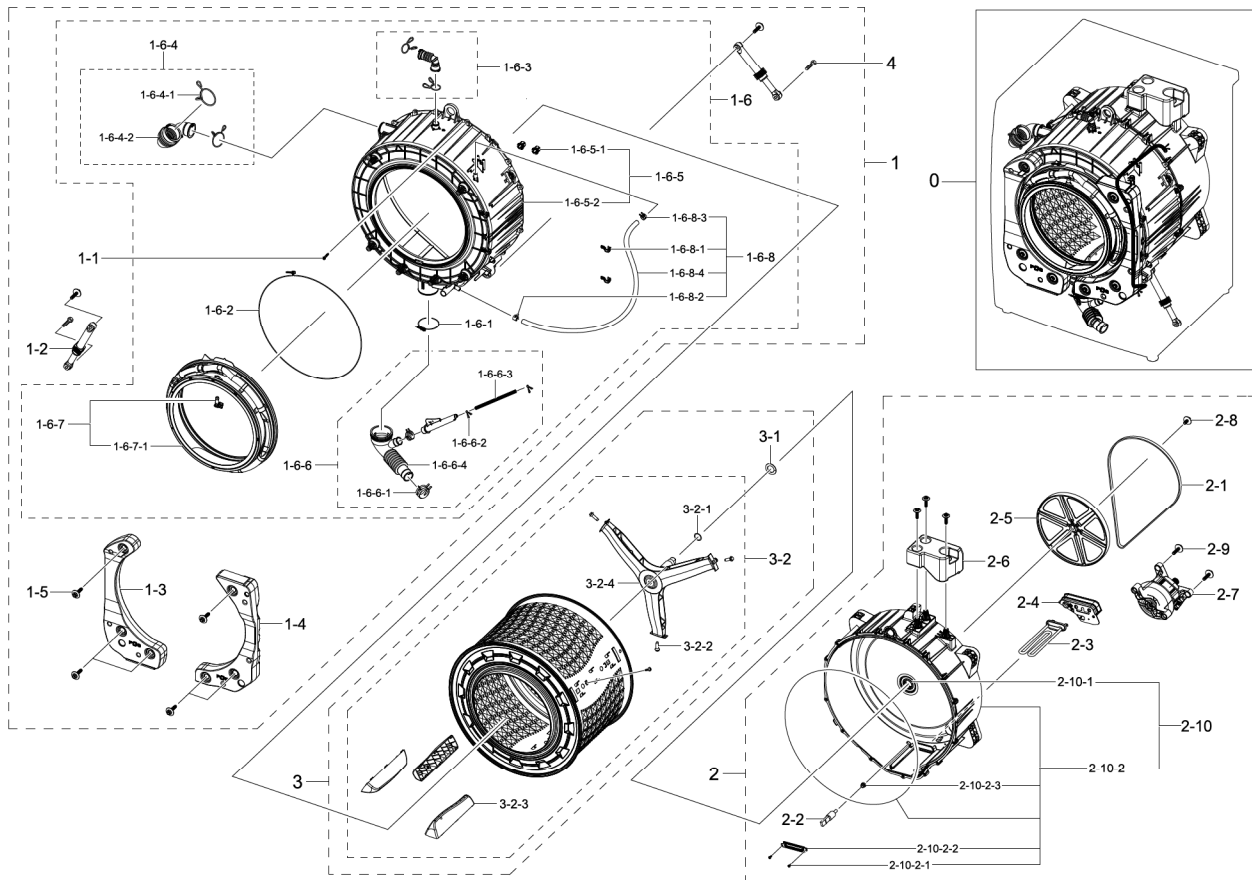


Parts List

No.	Lvl.	Loc.	Material Code	Description & Specification	SNA	Qty.
1	1		DC90-28642H	ASSY FRAME PARTS; WW6000T,WW90T654DLX/S3	SNA	1
1-1	2	W0102	6009-001240	SCREW-SPECIAL; TH,+,M5,L13.5,ZPC(WHT),SWR	SA	2
1-2	2		DC61-01901A	GUIDE FRAME FRONT; ALL MODEL,POM,K300,NAT	SNA	2
1-3	2	WI0266	DC61-02065A	GUIDE SPRING; WF448AAG/XXA,POM,T4,W24,L36	SA	2
1-4	2	W0248	DC61-03467A	FRAME PLATE-UP; WF-F500E,GI-SGCC,T1,L581,	SA	1
1-5	2		DC61-05003A	GUIDE HOSE DRAIN; F500E Platform,ABS,T2.6	SNA	1
1-6	2	W0629	DC61-20001B	SHUTTER; F500E Platform, VE,PP,J550S,NATU	SA	1
1-7	2	G0430	DC97-22389A	ASSY COVER BACK; WW6000T,WW90T684DLH/S1	SA	1
1-7-1	3		DC63-01034D	COVER BACK; W6000J,GI-SGCC,T0.35	SA	1

4. Assy Tub & Drum Parts

Exploded View

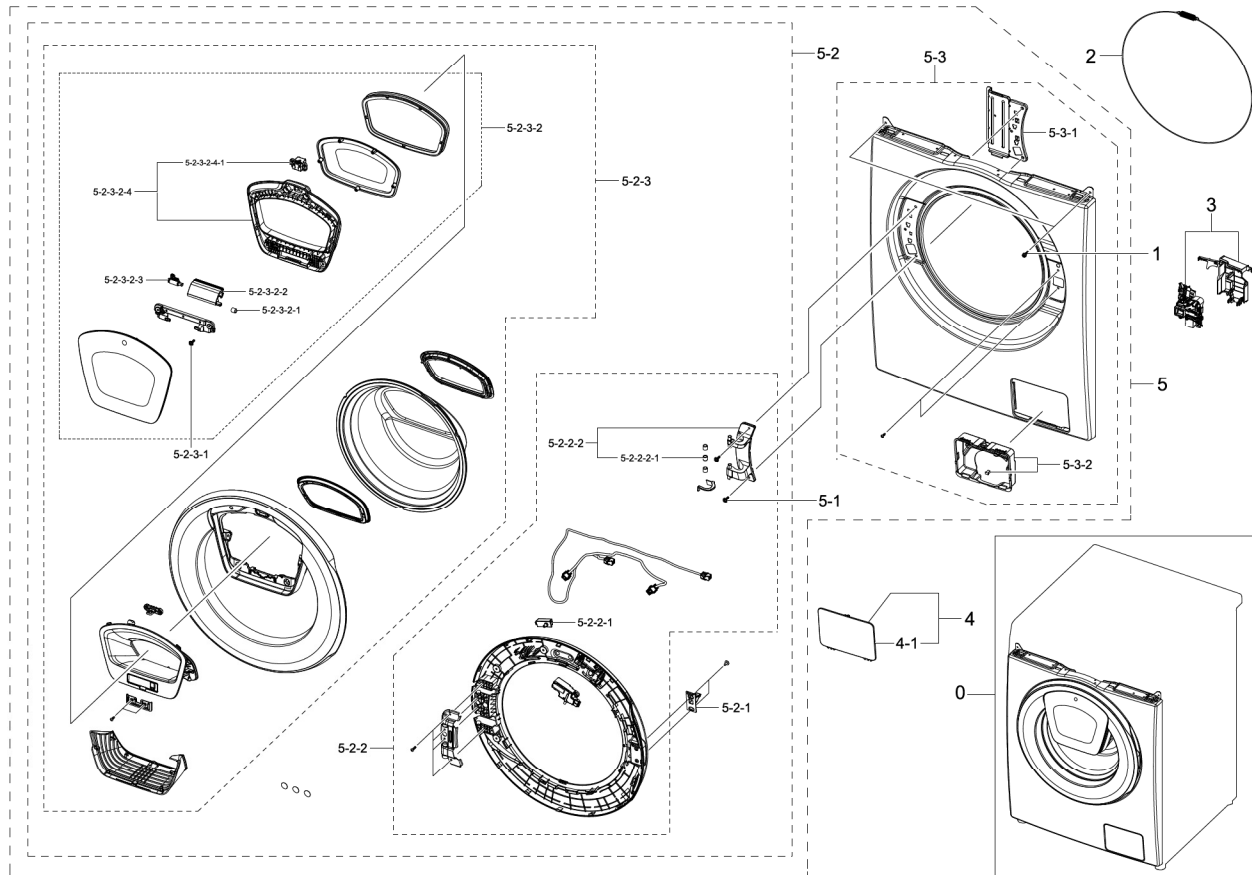


Parts List

No.	Lvl.	Loc.	Material Code	Description & Specification	SNA	Qty.
1	1		DC90-28646A	ASSY TUB FRONT PARTS; WW6000T,WW90T684DLH	SNA	1
1-1	2	G0049	6009-001367	BOLT-HEX; M6.5,L32,ZPC(WHT),HWH,+,SWRCH18	SA	15
1-2	2		DC66-00470G	DAMPER SHOCK-MODULE; 24" Drum,PP/RUBBER/S	SA	2
1-3	2		DC67-01109B	WEIGHT BALANCER-LEFT MODULE; WW6000T,CONC	SA	1
1-4	2		DC67-01110B	WEIGHT BALANCER-RIGHT MODULE; WW6000T,CON	SA	1
1-5	2	W0601	DC97-14263A	ASSY BOLT; MOTOR/BOLT(M8)+WASHER(OD27.5),	SA	8
1-6	2	G0048	DC97-22380A	ASSY TUB FRONT-MODULE; WW6000T,WW90T684DL	SNA	1
1-6-1	3	W0744	DC65-00021A	CLAMPER HOSE-JOINT; HEBA PJT,HSWR	SA	1

5. Assy Front Parts

Exploded View

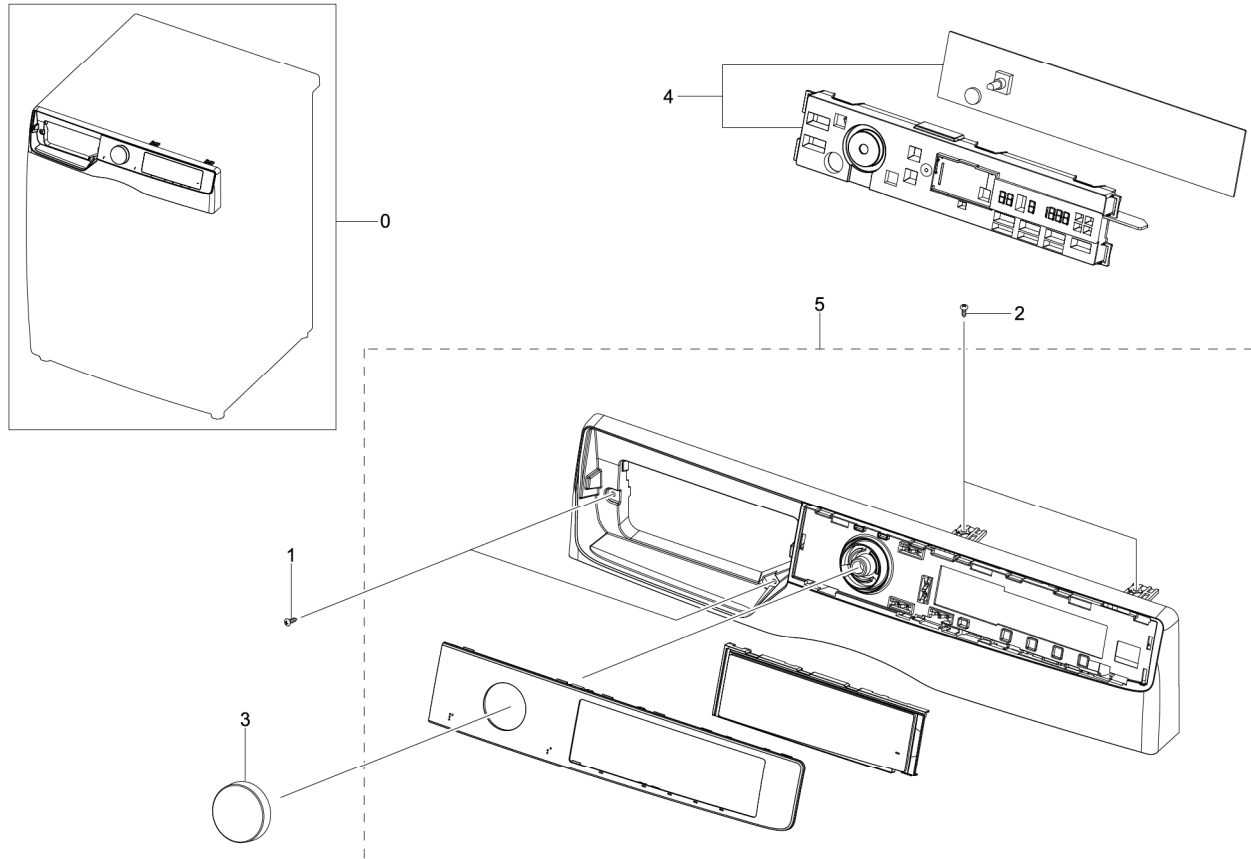


Parts List

No.	Lvl.	Loc.	Material Code	Description & Specification	SNA	Qty.
0	1		DC90-28645D	ASSY FRONT PARTS; WW6000T,WW90T654DLX/S3	SNA	1
1	2	W0105	6002-001438	SCREW-TAPPING; HWH,+,NO,1,M5,L12,ZPC(WHT)	SA	2
2	2	W0608	DC91-12078D	ASSY WIRE DIAPHRAGM; HEBA-PJT,-,-,-,-	SA	1
3	2		DC97-22289A	ASSY COVER DOOR SWITCH; WW6000T	SA	1
4	2	M0039	DC97-22290B	ASSY COVER FILTER; WW6000T,ABS,T2.5,INOX,	SA	1
4-1	3		DC63-00920R	COVER FILTER; WF652U2SHGX/TL,ABS,T2,INOX	SA	1
5	2	W0253	DC97-22425M	ASSY FRAME FRONT; U-PJT,GOOD, BLACK DOOR,	SNA	1
5-1	3	G0425	6009-001522	SCREW-HEX; HWH,+,M5,L16,PASS,STS430,FP,SE	SA	2

6. Assy Panel Control Parts

Exploded View

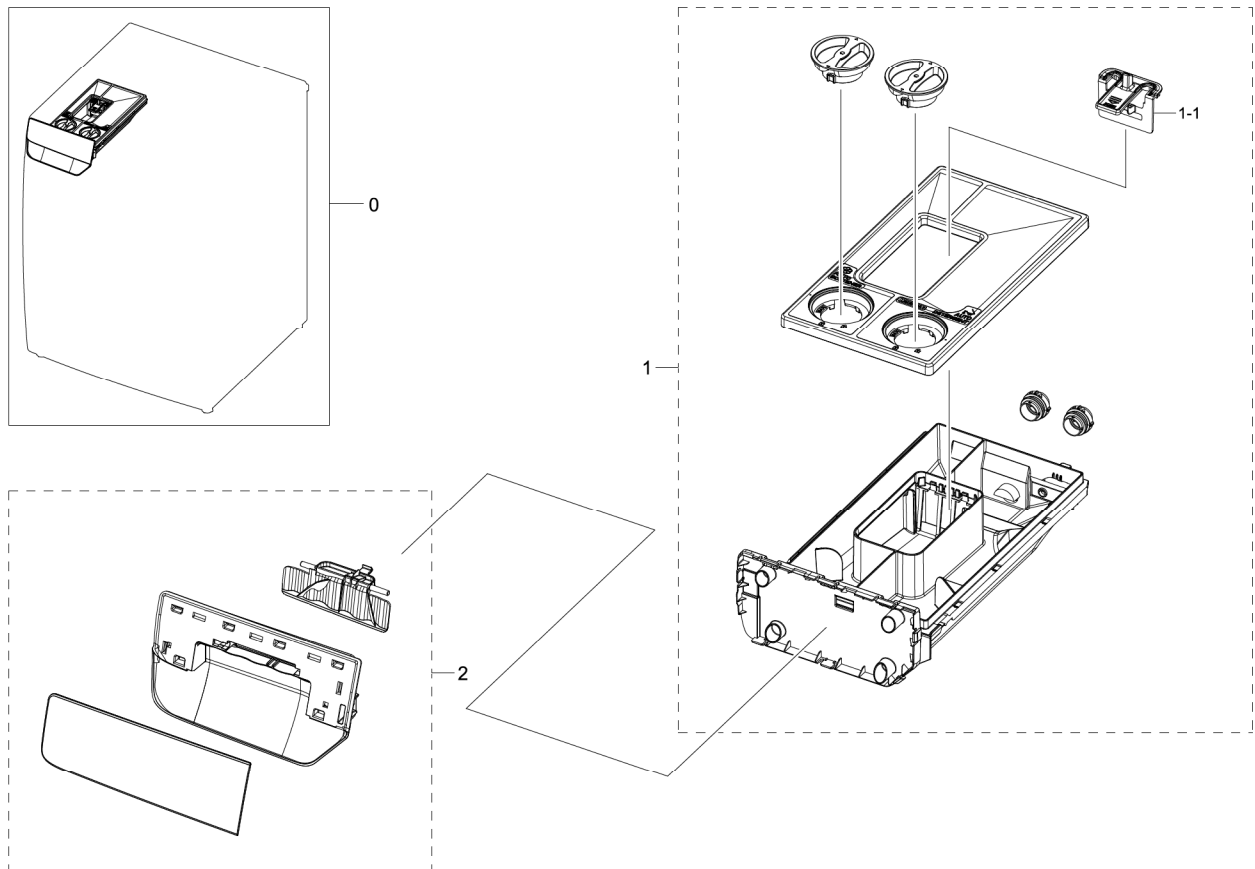


Parts List

No.	Lvl.	Loc.	Material Code	Description & Specification	SNA	Qty.
0	1		DC90-28641L	ASSY PANEL CONTROL PARTS; WW6000T,WW90T63	SNA	1
1	2	W0105	6002-000445	SCREW-TAPPING; TH,+,NO,2,M4,L18,PASS,STS4	SNA	2
2	2	WX0441	6002-000520	SCREW-TAPPING; TH,+,2,M4,L12,ZPC(WHT),SWR	SNA	2
3	2		DC64-03921A	KNOB ENCODER; A1 SIMPLE,ABS,HB,NATURAL,CH	SA	1
4	2		DC92-02642J	ASSY MODULE; FWM_Touch Display,WW6500T,8k	SA	1
5	2	W0478	DC97-22384J	ASSY PANEL CONTROL-MODULE; WW6000T,GOOD D	SA	1

7. Assy Drawer

Exploded View

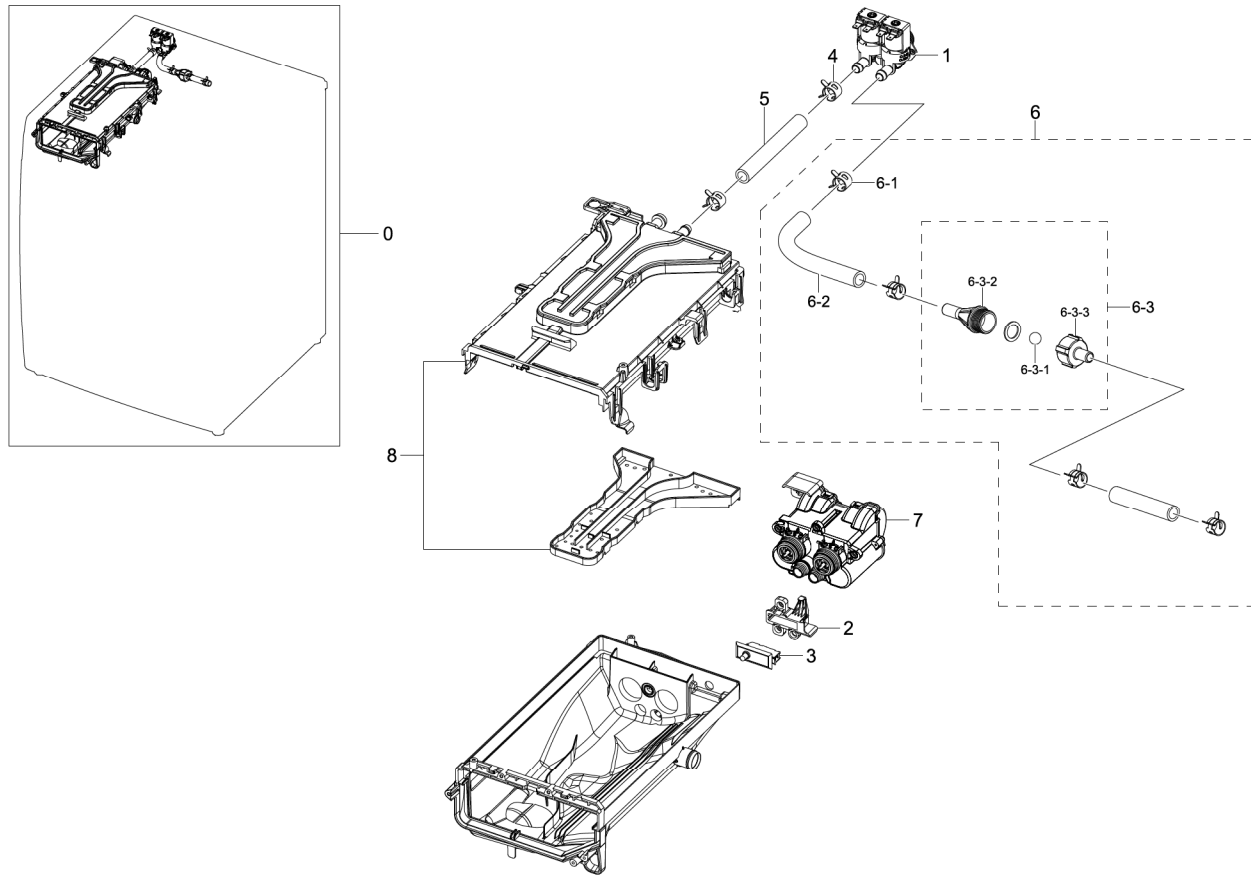


Parts List

No.	Lvl.	Loc.	Material Code	Description & Specification	SNA	Qty.
0	2	W0216	DC97-22381E	ASSY DRAWER-MODULE; WW5000T,WW90T634DLN/S	SNA	1
1	3	W0216	DC97-22236A	ASSY DRAWER; U-PJT,WW7000T,24inch	SA	1
1-1	4		DC67-00928A	CAP GUIDE WATER; WW8800M,PP+TD30%,MT43,Ho	SA	1
2	3	W0158	DC97-22237T	ASSY PANEL DRAWER; U-PJT,WW90T634DLN/S1,A	SA	1

8. Assy Housing Drawer

Exploded View

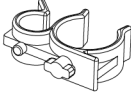
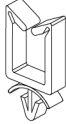








Parts List

No.	Lvl.	Loc.	Material Code	Description & Specification	SNA	Qty.
0	2	W0163	DC97-22238F	ASSY HOUSING DRAWER-MODULE; U-PJT (F500),	SA	1
1	3		DC33-01010A	VALVE WATER; DC12V,Bracket,mm,#250,1,2,11	SA	1
2	3		DC63-02160A	COVER DOOR SWITCH; WW10M86DQOO/EU,PP+TD30	SA	1
3	3		DC64-00828H	SWITCH DOOR; AC125-250V,0.75-1.5A,1BUTTON	SA	1
4	3	W0615	DC65-00008A	CLAMPER HOSE; SEW-DR605,SK5,ID14.2/T0.9	SA	2
5	3		DC67-00949A	HOSE DRAWER; WW10M86DQOA/EU,EPDM,ID9,HS65	SA	1
6	3		DC97-18851C	ASSY HOSE CONNECTOR; WW6000T,WW90T684DLH/	SA	1
6-1	4	W0615	DC65-00008A	CLAMPER HOSE; SEW-DR605,SK5,ID14.2/T0.9	SA	4
6-2	4		DC67-00849A	HOSE DRAWER; WW8500K,EPDM,BLACK	SA	1

9. Small Parts

Exploded View

				
1	2	3	4	5
				
6	7	8		

Parts List

No.	Lvl.	Loc.	Material Code	Description & Specification	SNA	Qty.
1	2	W0616	DC61-00133A	CLAMPER HOSE-FIX; P1291,PP,BLACK,HOSE+PLU	SA	3
2	2	M0001	DC61-00553B	CABLE CLAMP; DAWS-3NE,PA66,NTR	SA	1
3	2		6502-000127	CABLE CLAMP; DAWH-18NB,PA66,NTR	SA	1
4	2		DC65-20010A	CABLE CLAMP; DA-9N-1,NYLON66,NTR	SNA	1
5	2	WI0293	DC61-00995C	HOLDER WIRE; HEBA-PJT,PA66,W6,L145,NATURA	SA	1
6	3	M0001	DC61-00553C	CABLE CLAMP; -,PA66,NTR	SNA	1
7	2	WI0295	DC61-60074A	HOLDER WIRE; PA,NATURAL,101F,rectangle	SA	1
8	2	W0623	DC61-40083A	HOLDER WIRE; DAWH-3ND,PA66,NATURAL,NTR(PI	SA	1