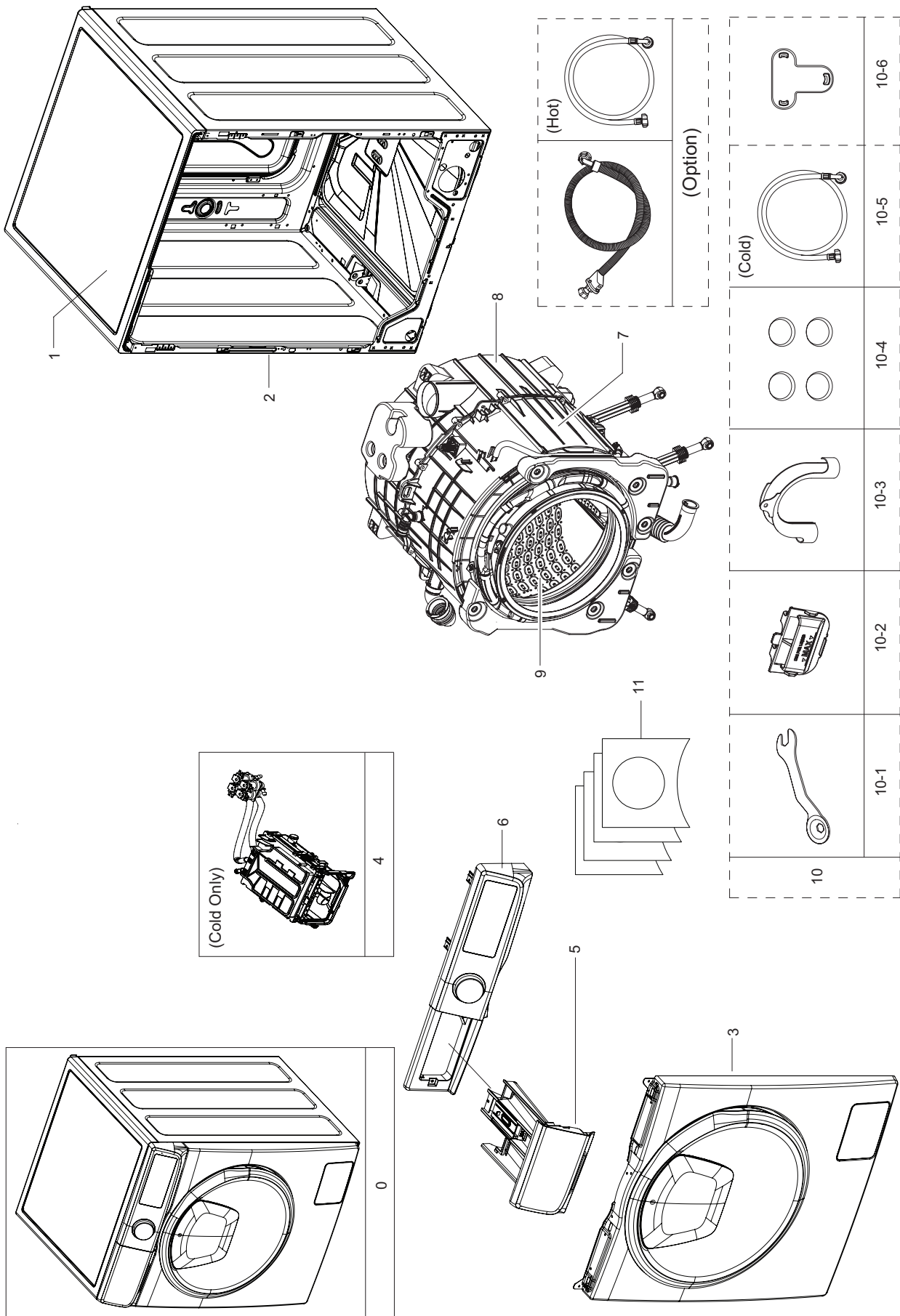


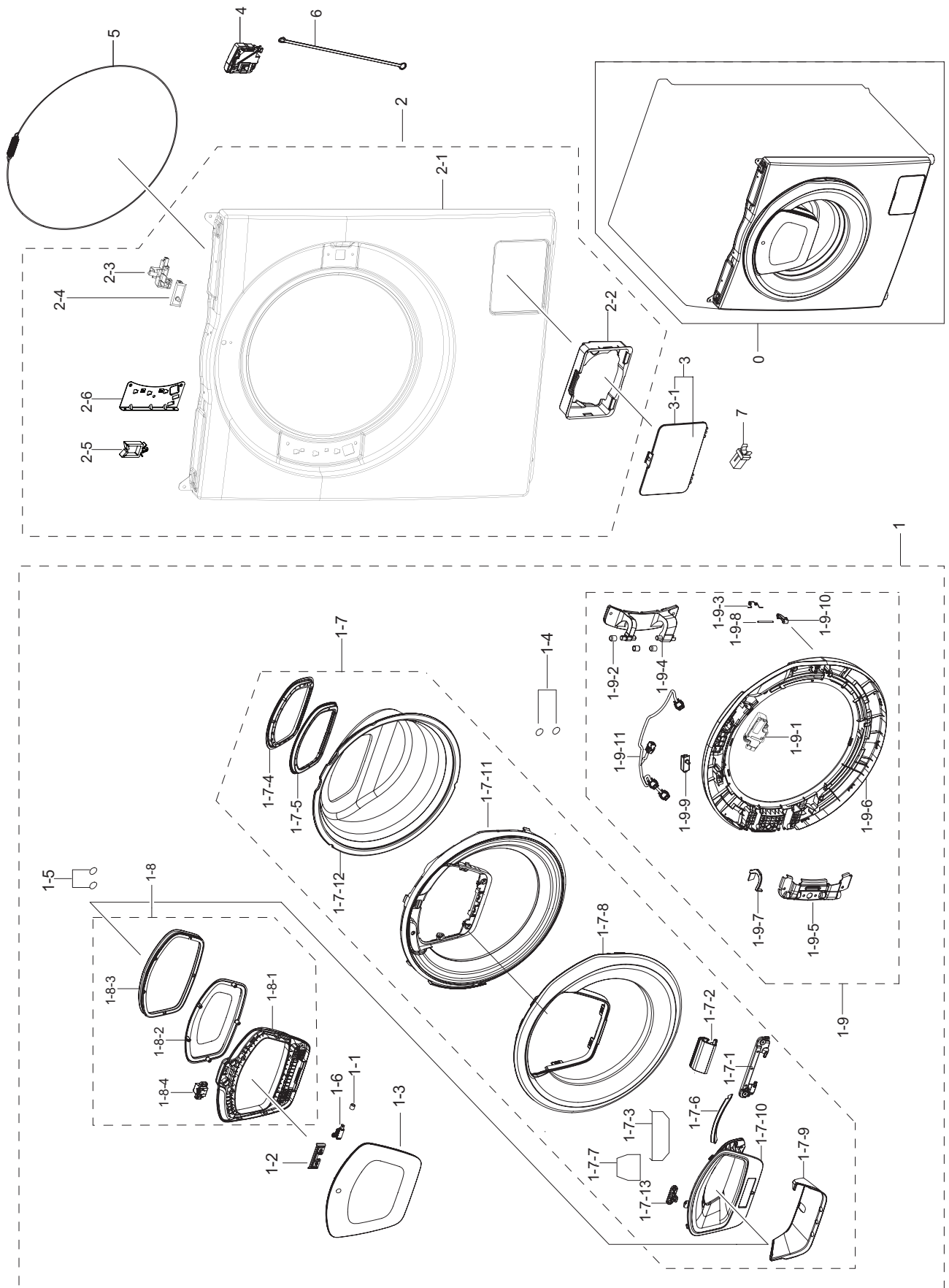
# 1. MAIN (WW90M643SPX/EE)



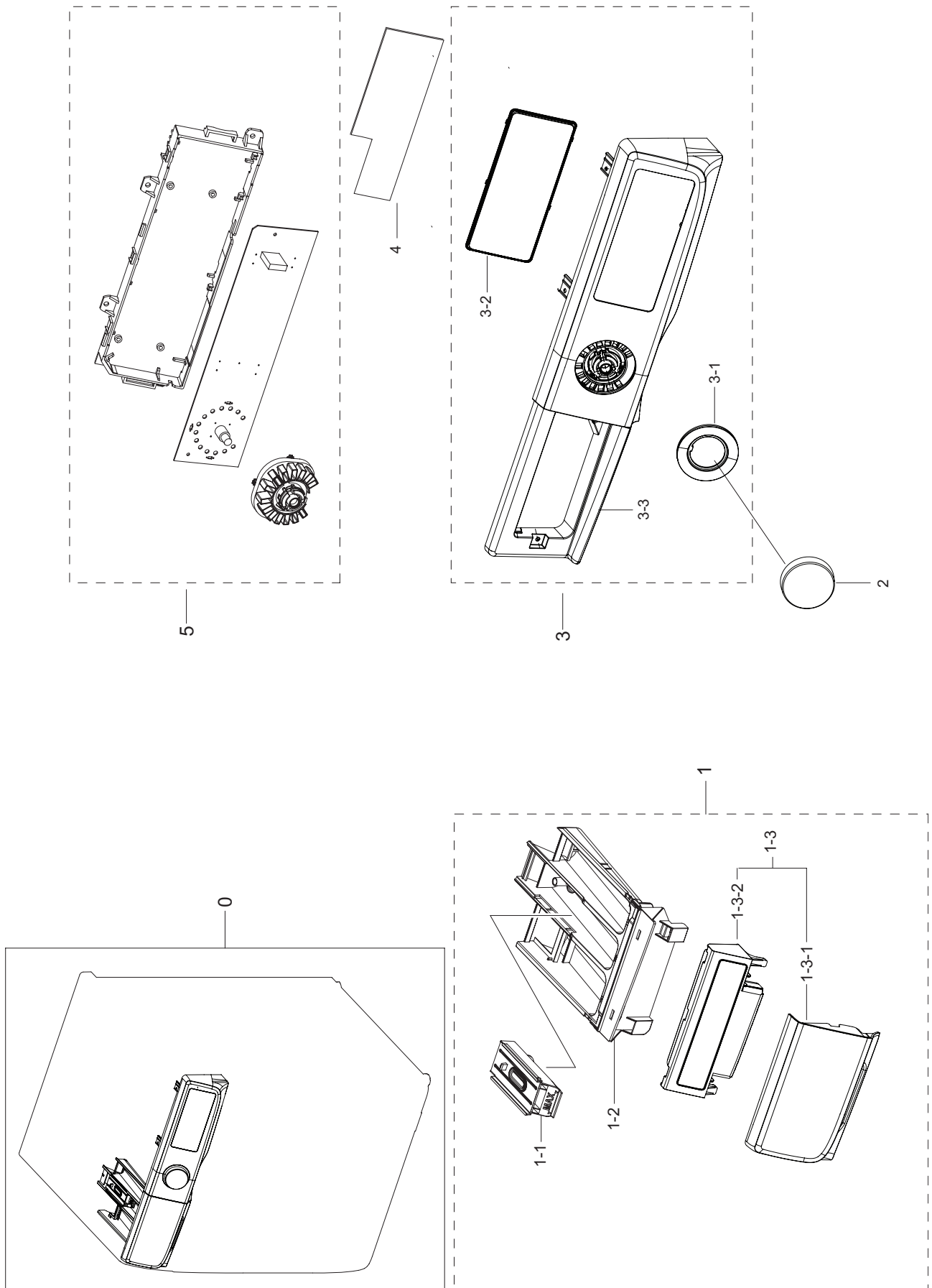




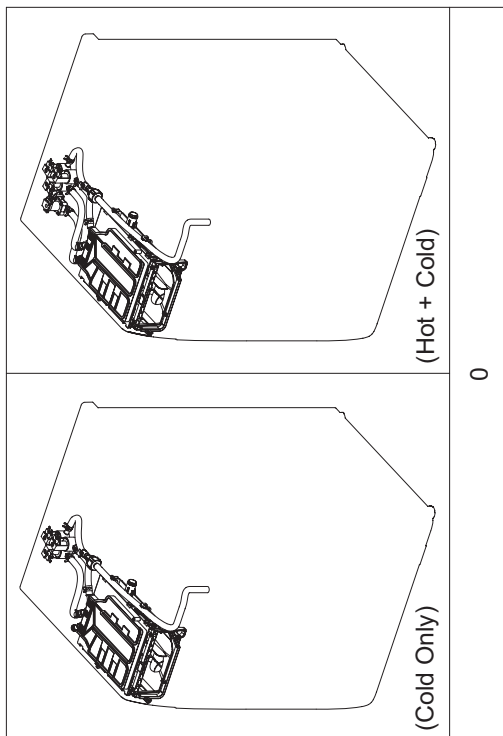
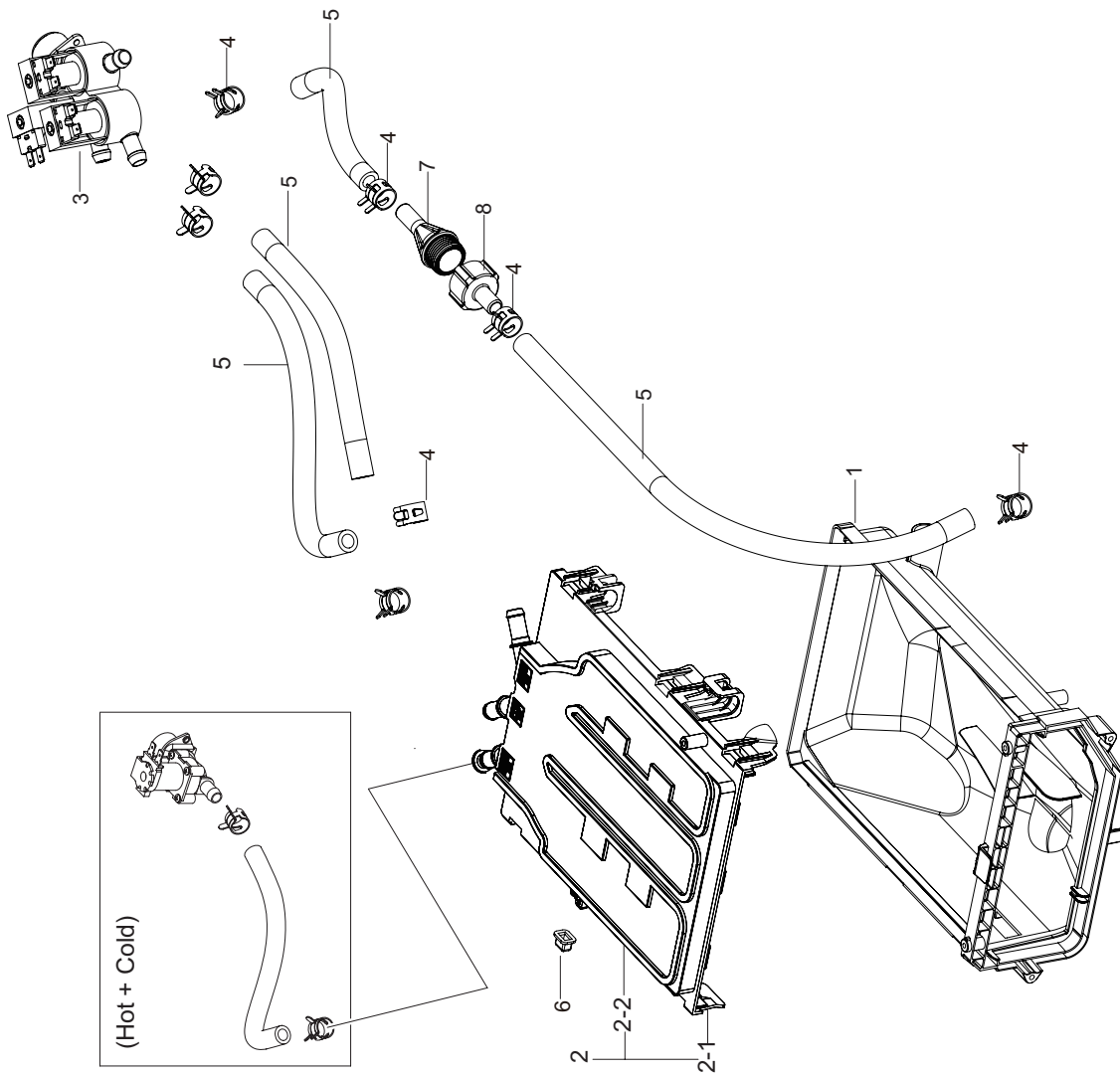
# 4. ASSY FRAME PARTS (WW90M643SPX/EE )




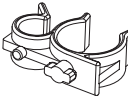

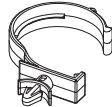

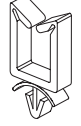

# 5. ASSY PANEL CONTROL PARTS (WW90M643SPX/EE )



# 6.ASSY DRAWER PARTS (WW90M643SPX/EE )



## 7. SMALL PARTS

				
1	2	3	4	5
				
6	7			

**MODEL CODE: WW90M643SPX/EE**