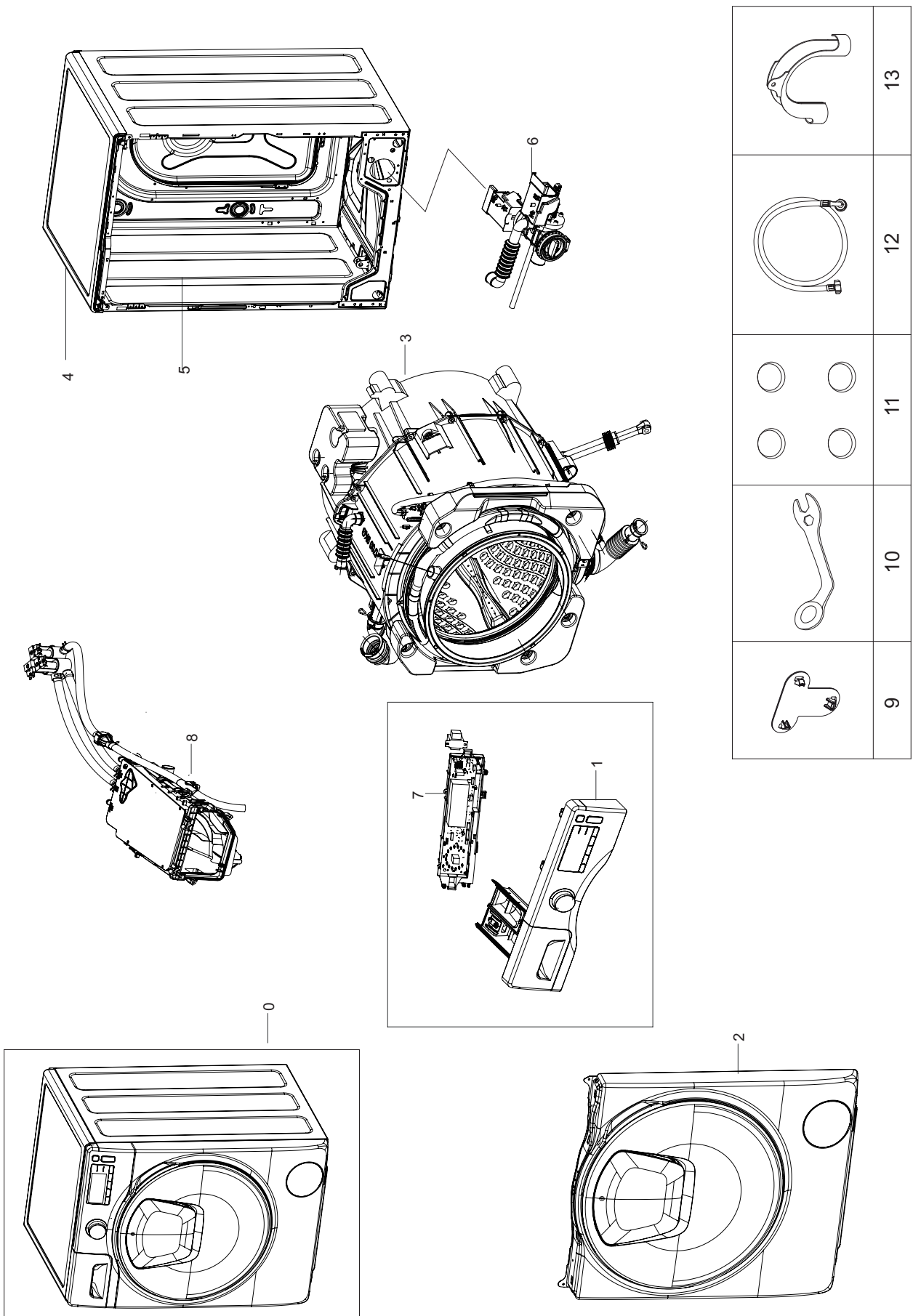


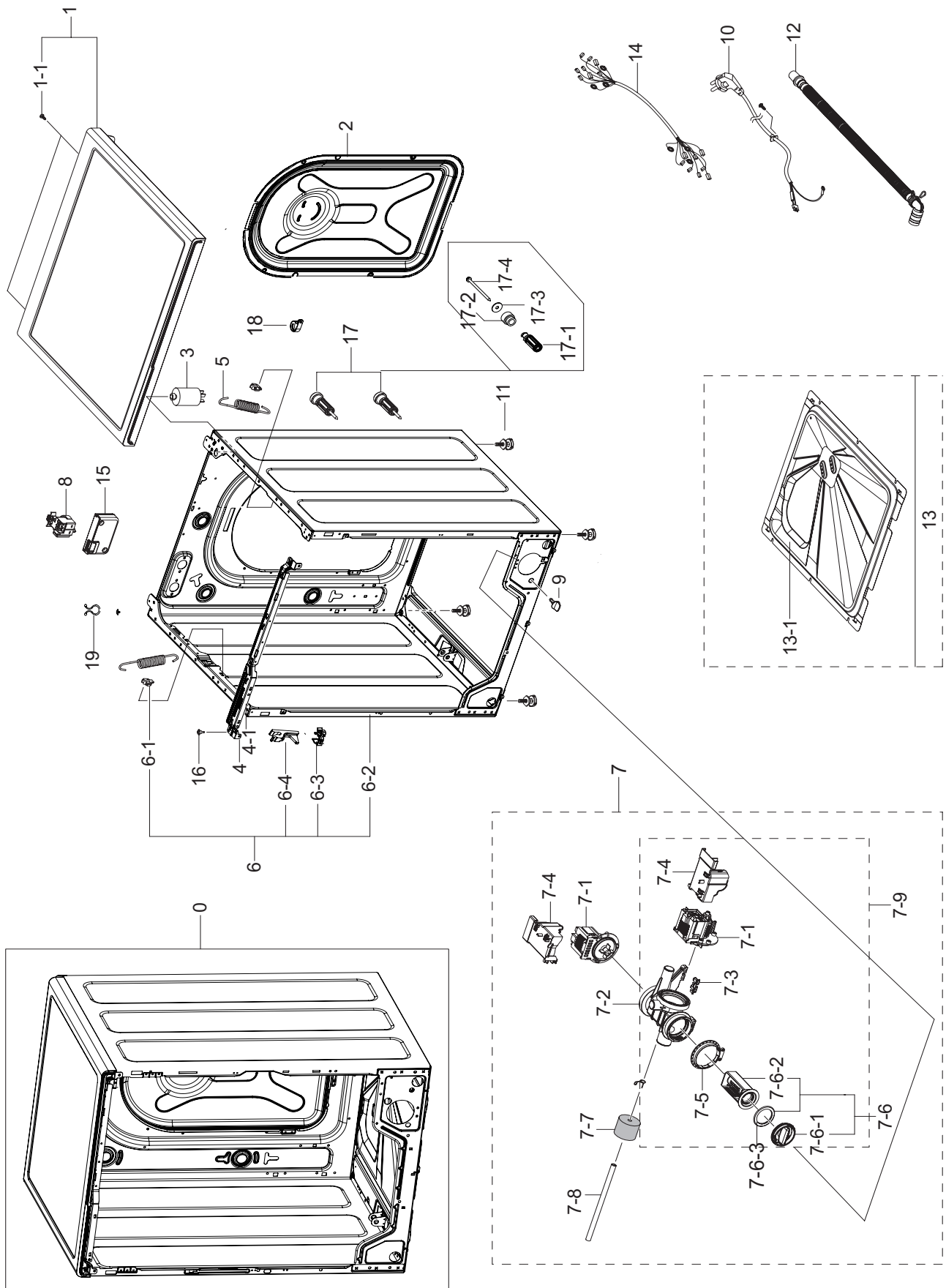
1.MAIN



MODEL CODE:WW90K7415OW/ECService Bom (**SA**: SERVICE AVAILABLE, **SNA**: SERVICE NOT AVAILABLE)

Drawing No.	Code No.	Description	Specification	QTY	Un	SA/SNA
0	WW90K7415OW/EC	ASSY-WASHING MACHINE	WW7500K			
1	-	PANEL CONTROL & DRAWER	-			
2	-	FRAME FRONT & DOOR	-			
3	DC90-21787A	ASSY TUB&DRUM	WW7500K,WW90K7415OW/EC	1	PC	SNA
4	DC97-18116E	ASSY COVER TOP	WW7500K,DA-WHITE	1	PC	SA
5	DC97-19169F	ASSY FRAME	WW7500K,WW90K7415OW/EC,DA WHI	1	PC	SNA
6	DC97-15696G	ASSY PUMP DRAIN	WW6000J,BUBBLE,220V/50Hz	1	PC	SA
7	DC92-01876A	ASSY KIT	FWM_INV,WW7500K,HEBA63, 9KG, 14	1	PC	SA
8	DC97-18579N	ASSY HOUSING DRAWER	WW7500K	1	PC	SA
9	DC67-00208B	CAP-FIXER	WF8602NHS/XFA,PP,T1.5,P535-H,B	1	PC	SA
10	DC60-00104A	FASTENER-BOLT	ALL,CR-SPCC,2.0,L113.5	1	PC	SA
11	DC67-00307A	CAP-FIXER	WF438AAC/XAA,PP,T1.5,RECYCLE,B	4	PC	SA
12	DC97-16921A	ASSY HOSE WATER	WA5700J	1	PC	SC
13	DC62-10278A	HOSE HANGER	PUMP MODEL,PP,BLACK	1	PC	SA

2.FRAME & COVER PARTS



MODEL CODE: WW90K7415OW/EC

Service Bom (SA: SERVICE AVAILABLE, SNA: SERVICE NOT AVAILABLE)

Drawing No.	Code No.	Description	Specification	QTY	Un	SA/SNA
1	DC97-18116E	ASSY COVER TOP	WW7500K,DA-WHITE	1	PC	SA
1-1	6009-001522	SCREW-HEX	HWH,+,M5,L16,PASS,STS430,FP,SE	2	PC	SA
2	DC63-00862C	COVER BACK	WF8600NMW,GI-SGCC,T0.35,W352,	1	PC	SA
3	DC29-00015G	FILTER EMI	LFT-215G,300Khz,VDE, KS,6.5mH	1	PC	SA
4	DC97-18243C	ASSY FRAME PLATE-UP	WW7500K	1	PC	SA
4-1	DC61-03429A	FRAME PLATE-UP	WF906U4SAGD/SP,GI-SGCC,NT	1	PC	SA
5	DC61-02029A	SPRING ETC-HANGER	HEBA,HSWR,CD3.5,OD26,L	2	PC	SA
6	DC97-18908W	ASSY PAINT FRAME	WW7500K,WW90K7415OW/EC,	1	PC	SA
6-1	DC61-02065A	GUIDE SPRING	WF448AAG/XXA,POM,T4,W24,L36	2	PC	SA
6-2	DC97-19169F	ASSY FRAME	WW7500K,WW90K7415OW/EC,DA WHI	1	PC	SNA
6-3	DC61-00133A	CLAMPER HOSE-FIX	P1291,PP,-,HOSE+PLUG,BJ	1	PC	SA
6-4	DC61-02601A	GUIDE HOSE	SEINE COMBO 9.0kg,PS FOAM,WHI	1	PC	SA
7	DC97-15696G	ASSY PUMP DRAIN	WW6000J,BUBBLE,220V/50Hz	1	PC	SA
7-1	DC31-00180A	MOTOR AC PUMP	S3019,2,220V/240V,50Hz,0.2	2	PC	SA
7-2	DC61-02271B	CASE PUMP	WF0804Y8E/XEF,PP,T2.5,W153.6,L	1	PC	SA
7-3	DC63-00905A	CUSHION PUMP	WF8802DPF/XET,NBR,-,W37.6,L	1	PC	SNA
7-4	DC61-02271B	CASE PUMP	WF0804Y8E/XEF,PP,T2.5,W153.6,L	1	PC	SA
7-5	DC69-01128A	PACKING-PUMP	WF8804DP,IIR,BUTYL,T2.5,HEB	1	PC	SA
7-6	DC97-15695C	ASSY FILTER	Heba,WF9904CWN1	1	PC	SA
7-6-1	DC64-02783A	HANDLE FILTER	WF350ANW/XAA,PP,T2.3,W63.8	1	PC	SA
7-6-2	DC63-00998A	FILTER PUMP	SCOUT-PJT,PP,-,NEAT WHITE,BU	1	PC	SA
7-6-3	DC73-00022A	SEAL PACKING	SEW-HVR149ATA,EPDM,BLK,-	1	PC	SA
7-7	DC63-10003A	SPONGE-HOSE AIR	T20,BLK	1	PC	SNA
7-8	DC67-00244M	HOSE DRAIN	AEGIS,EPDM,ID6,OD10,T2.0,L270	1	PC	SA
7-9	DC97-19914A	ASSY CASE FILTER	BUBBLE	1	PC	SA
8	DC96-01703G	SENSOR PRESSURE	Air,5,-,400mmH20,-	1	PC	SA
9	DC61-10673C	CAP DRAIN	WF1802XEY/XSC,FRPP,BLACK	1	PC	SA
10	DC96-00146H	CBF-POWER CORD	AT,EUROPE,EU3F,Gray,1500,	1	PC	SA
11	DC97-00920H	ASSY LEG	-,ALL EXCEPT AUSTRALI MODEL,L33	4	PC	SA
12	DC97-02250Z	ASSY HOSE DRAIN(O)	HEBA-PJT,GRY	1	PC	SA
13	DC97-16443C	ASSY COVER BOTTOM	VISTULA 6A MODEL,WF180	1	PC	SA
13-1	DC63-01280A	COVER-BOTTOM	HEBA-SSEC,GI-SGCC,T0.5,W422	1	PC	SNA
14	DC93-00653A	ASSY WIRE HARNESS-MAIN	DRUM-M,WW90K7415O	1	PC	SA
15	DC92-01888A	ASSY KIT	FWM_INV,WW8500K, 7500K, 6500K,A	1	PC	SA
16	6009-001343	SCREW-SPECIAL	PH,TORX,M4,L12,ZPC(WHT),SW	1	PC	SNA
17	DC97-14653C	ASSY FIXER TUB	SCOUT,WF0804Y8E/XEF	4	PC	SA
17-1	DC61-01937C	FIXER TUB	WF8804,FRPP,NTR,HEBA	4	PC	SNA

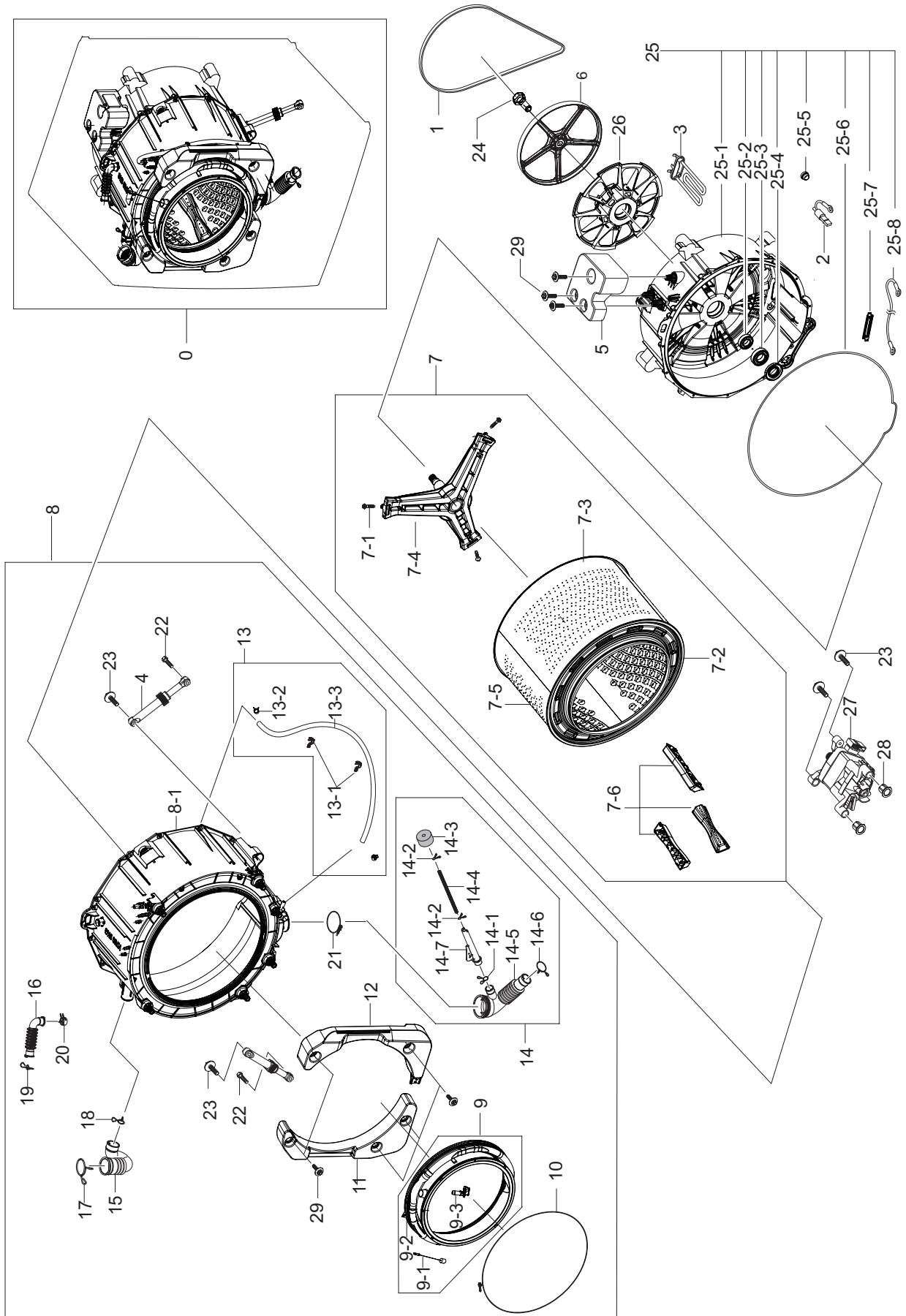
4 _ Exploded views and Parts list

MODEL CODE: WW90K7415OW/EC

Service Bom (SA: SERVICE AVAILABLE, SNA: SERVICE NOT AVAILABLE)

Drawing No.	Code No.	Description	Specification	QTY	Un	SA/SNA
17-2	DC73-00035A	FIXER RUBBER	WF0804Y8E/XEF,EPDM,BLACK,-,	4	PC	SNA
17-3	DC60-60044B	WASHER PLAIN	SBC,ID8.4/OD30,T2.0	4	PC	SA
17-4	DC60-40142B	BOLT HEX	SEW-3HR105,SM10C,HEX,M7,L114.5,	4	PC	SNA
18	DC61-00118A	CLAMP-CABLE	P1291,PA66,NATURAL,NC0001	1	PC	SA
19	DC61-40081A	HOLDER WIRE	DAWH-2NC,PA66,-,NATURAL,-	7	PC	SA

3.ASS'Y TUB DRUM



MODEL CODE:WW90K7415OW/EC

Service Bom (SA: SERVICE AVAILABLE, SNA: SERVICE NOT AVAILABLE)

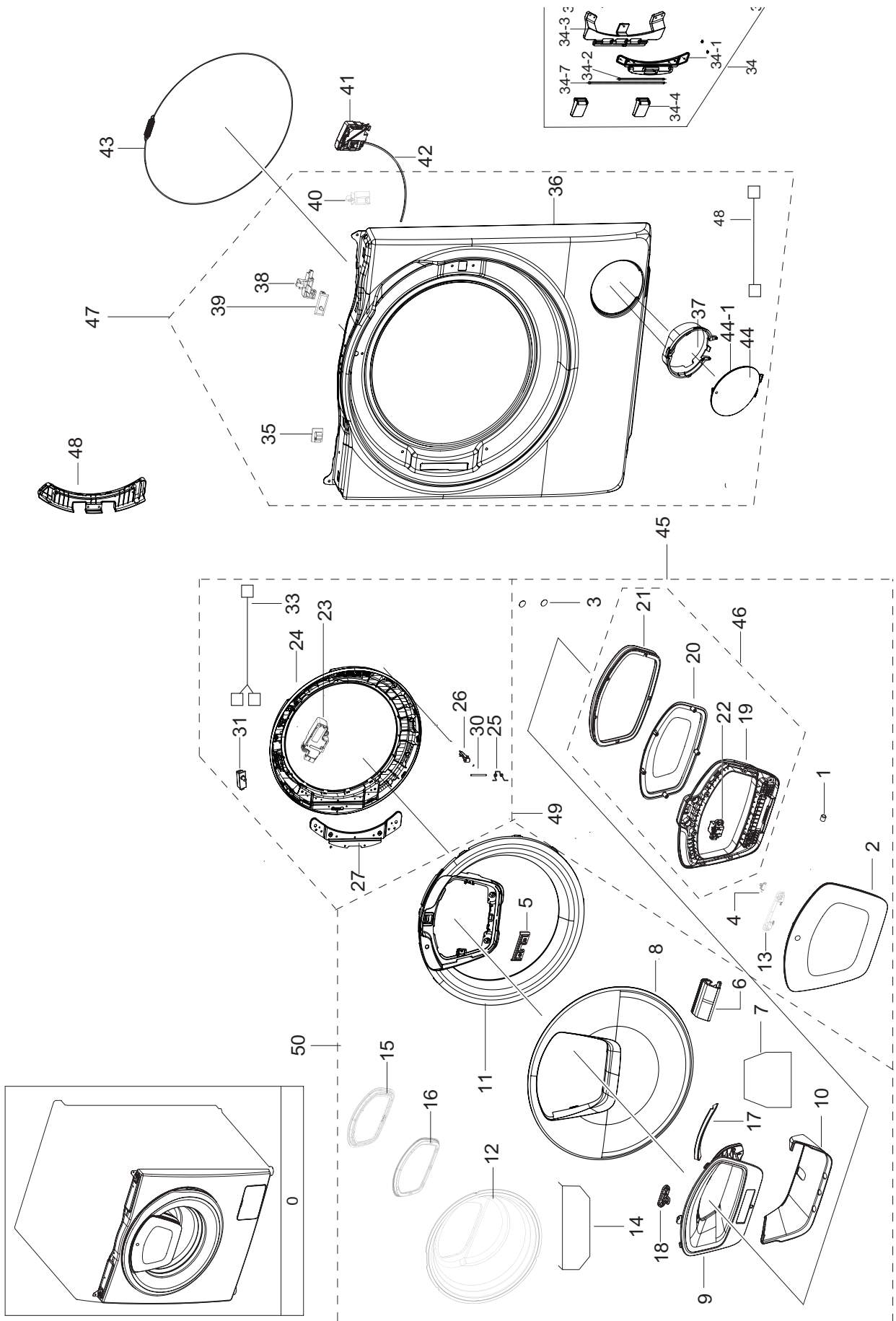
Drawing No.	Code No.	Description	Specification	QTY	Un	SA/SNA
0	DC90-21787A	ASSY TUB&DRUM	WW7500K,WW90K7415OW/EC	1	PC	SNA
1	6602-001497	BELT-TIMING GEAR	RUBBER(GATES),T3.2,1270	1	PC	SA
2	DC32-00010C	THERMISTOR	WASHER,-10~100,5,5,3.243k ± 2	1	PC	SA
3	DC47-00033B	HEATER WASH	AC230V,2000W,SUS316L,728mm,N	1	PC	SA
4	DC66-00531C	DAMPER SHOCK	HEBA,PP,WHITE,80±20N,LONG	2	PC	SA
5	DC67-00582C	WEIGHT BALANCER-UP	WW7500K,CONCRETE,VITA	1	PC	SA
6	DC66-00500A	PULLEY MOTOR	HEBA PJT,ALDC,OD296.8,1400R	1	PC	SA
7	DC97-18158A	ASSY DRUM	WW90H7410EW/AH	1	PC	SA
7-1	DC60-40137A	BOLT HEX	MARS-PJT,STS430,M8,P1.25,L30,HE	3	PC	SA
7-2	DC66-00832A	DRUM-FRONT	WW 7000HE,STS430,T0.5,1400RPM	1	PC	SNA
7-3	DC66-00492A	DRUM BACK	HEBA PJT,STAINLESS-STS430,ID48	1	PC	SNA
7-4	DC97-14369G	ASSY FLANGE SHAFT	WF8804DPA	1	PC	SA
7-5	DC66-00837A	DRUM-WRAPPER	WW 7000HE,STS430,T0.5,9KG	1	PC	SNA
7-6	DC66-00831A	DRUM LIFTER	WW7000H,PP,T2.5,-,TB53,DARK	3	PC	SA
8	DC97-18139G	ASSY SEMI TUB FRONT	WW7500K	1	PC	SA
8-1	DC61-03827A	TUB FRONT	H700E,FRPP,T3.5,NATURAL,9KG	1	PC	SNA
9	DC97-18132C	ASSY DIAPHRAGM	WW7500K	1	PC	SA
9-1	DC47-00027D	ASSY LAMP LED	1ea,FR-4,14*12,WHITE,AMP 1	1	PC	SA
9-2	DC64-03092D	DOOR DIAPHRAGM	WW90K7415OW/EC,EPDM,T1.5,	1	PC	SA
9-3	DC62-00349A	NOZZLE DIAPHRAGM	WF457ARGSGR,PP,OD11,GRA	1	PC	SA
10	DC97-14618G	ASSY CLAMP DIAPHRAGM	H900E	1	PC	SNA
11	DC97-18112B	ASSY WEIGHT BALANCER-LEFT	WW7500K,5.8KG,	1	PC	SA
12	DC97-18113B	ASSY WEIGHT BALANCER-RIGHT	WW7500K,5.8KG	1	PC	SA
13	DC97-18140A	ASSY HOSE CIRCULATION	H700E	1	PC	SA
13-1	DC61-02646A	GUIDE HOSE	WF0804Y8E,PP,T2.0,W9.8,L36.6,	2	PC	SNA
13-2	DC61-00158A	CLAMPER HOSE	SW65ASP,SK5,ID23,T0.8,-	1	PC	SA
13-3	DC67-00774A	HOSE-CIRCULATION	WW90H7600EW/WS,EPDM,ID9	1	PC	SNA
14	DC97-14637G	ASSY HOSE PRESSURE	SCOUT COMBO,WD0804W8N	1	PC	SA
14-1	DC61-00158A	CLAMPER HOSE	SW65ASP,SK5,ID23,T0.8,-	1	PC	SA
14-2	DC61-70029C	CLIP RING	SEW-HW125,HSWR,WHITE	2	PC	SNA
14-3	DC63-10003H	ABSORBER SPONGE	PU FOAM,H35,BLACK	1	PC	SNA

MODEL CODE:WW90K7415OW/EC

Service Bom (SA: SERVICE AVAILABLE, SNA: SERVICE NOT AVAILABLE)

Drawing No.	Code No.	Description	Specification	QTY	Un	SA/SNA
14-4	DC67-00230E	HOSE WATER	WD8704,TPE,ID4.5	1	PC	SNA
14-5	DC67-00293A	HOSE FILTER TUB	HEBA-PJT,EPDM,-,-,T2.5,-	1	PC	SA
14-6	DC72-00001H	CLIP RING	HEBA-PJT,HSWR,WHITE	1	PC	SNA
14-7	DC67-00598A	HOSE JOINT AIR	WD0804W8N1/YAH,PP,ID36.2,	1	PC	SNA
15	DC67-00674A	HOSE DRAWER TUB	SEINE COMBO,EPDM,ID34.9,	1	PC	SA
16	DC67-00298A	HOSE AIR	HEBA PJT,EPDM,-,-,T2.5,-,BLK,-	1	PC	SA
17	DC72-00001G	CLIP RING	HEBA-PJT,HSWR,T3.0,ID49.5,W18,	1	PC	SNA
18	DC65-60118R	CLIP RING	AEGIS-PJT,HSWR-SWRH,T3.0,ID37	1	PC	SA
19	DC65-60118J	CLIP RING	HSWR,PI2.0/ID23	1	PC	SNA
20	DC61-00158A	CLAMPER HOSE	SW65ASP,SK5,ID23,T0.8,-	1	PC	SA
21	DC65-00021A	CLAMPER HOSE-JOINT	HEBA PJT,HSWR-SWRH,ID	1	PC	SNA
22	DC60-40144A	BOLT HEX	SM10C,L35,ZPC2(YEL),M10,ZPC2(YE	2	PC	SA
23	DC97-14263A	ASSY BOLT	MOTOR/BOLT(M8)+WASHER(OD27.5),	4	PC	SA
24	DC60-40144A	BOLT HEX	SM10C,L35,ZPC2(YEL),M10,ZPC2(YE	1	PC	SA
25	DC97-16462E	ASSY SEMI TUB BACK	Heba PJT,WF8804ASA	1	PC	SA
25-1	DC61-01934C	TUB BACK	Heba,FRPP,NATURAL,1400RPM	1	PC	SNA
25-2	6601-000176	BEARING BALL	6205ZZ,ID25,OD52,L15,STB2	1	PC	SNA
25-3	6601-000148	BEARING BALL	6206ZZ,ID30,OD62,L16,STB2	1	PC	SNA
25-4	DC62-00008A	SEAL OIL	NBR,BLACK,-,NBU	1	PC	SA
25-5	DC69-00824A	PACKING-THERMISTOR	GW-PJT,EPDM,-,-,W17,H	1	PC	SNA
25-6	DC69-01154A	PACKING-TUB	WF8804DP,EPDM,-,-,L1650	1	PC	SA
25-7	DC61-02664A	BRACKET HEATER	HEBA,STS430,T0.6	1	PC	SA
25-8	DC93-00015A	ASSY WIRE EARTH	AEGIS,5KG,230V/50HZ,EART	1	PC	SA
26	DC97-16856A	ASSY HOUSING BEARING	HEBA,WF8804DPA1	1	PC	SNA
27	DC93-00586A	ASSY MOTOR BLDC	F3 35mm Press Housng Ty	1	PC	SA
28	DC61-01088A	BUSH MOTOR	Q1636,PA,NTR,PA66,ID16.2,OD20	2	PC	SNA
29	6011-003934	BOLT-HEX	M7.6,L48,ZPC(WHT),SCM 435,WASHE	9	PC	SA

4.ASS'Y FRAME FRONT



MODEL CODE: WW90K7415OW/EC

Service Bom (SA: SERVICE AVAILABLE, SNA: SERVICE NOT AVAILABLE)

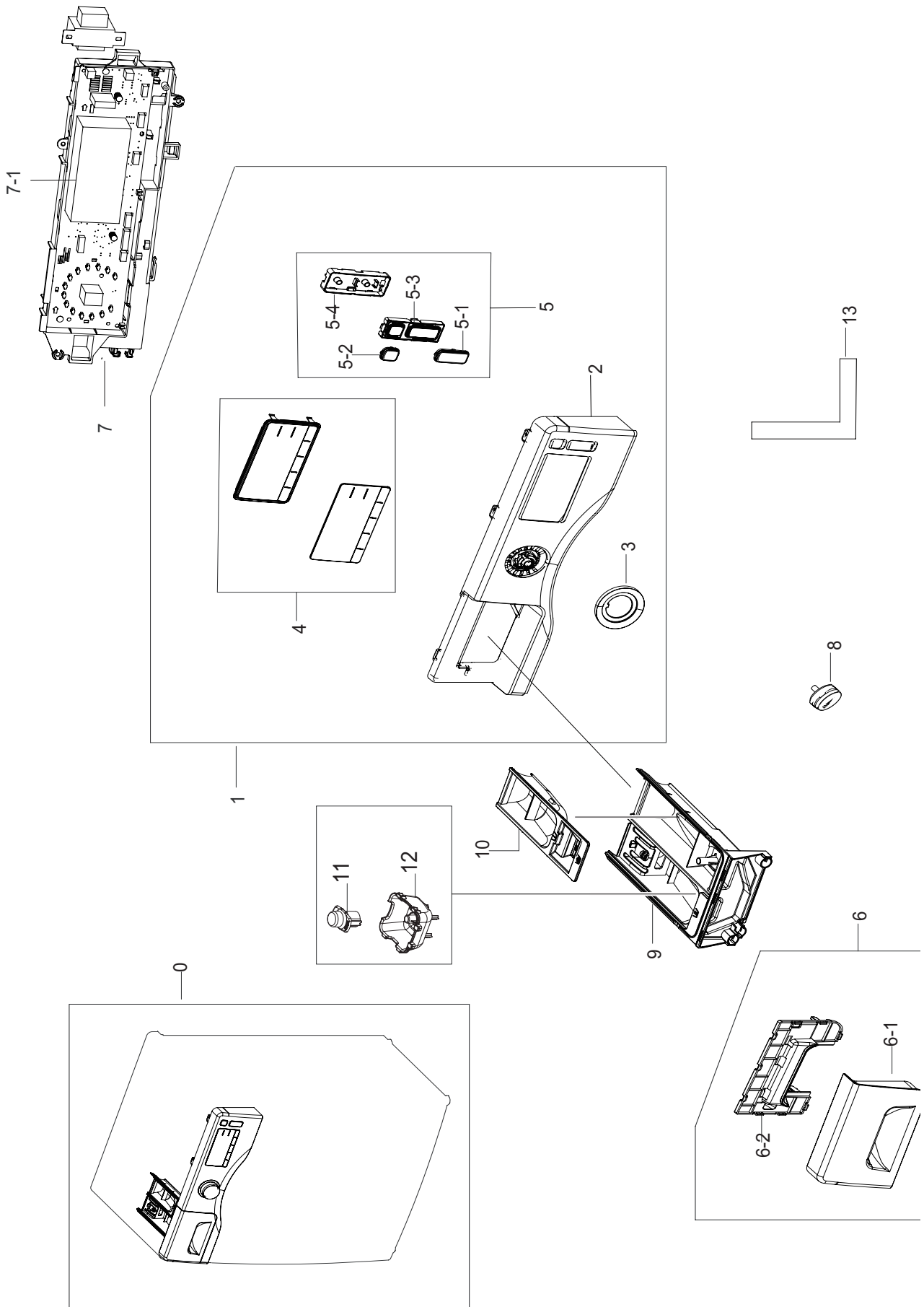
No	Code No.	Description	Specification	QTY	Un	SA/SNA
1	DC61-00891A	GUIDE HINGE	HAUZEN(DOM),POM,NTR(WHT),HIN	1	PC	SA
2	DC63-01942A	COVER DOOR	WW8500K,ABS,BL0121 / BL0150,M	1	PC	SA
3	DC64-03303A	INLAY-DOOR	WD9500J,PET,T0.3,VERSAILLES G	2	PC	SA
4	DC66-00878A	DAMPER SHOCK-AXIS	WD9500JK,POM,NATURAL	1	PC	SA
5	DC61-04078A	SUPPORT HINGE	WD9500J,GI-SGCC,T1.4	1	PC	SNA
6	DC61-04133A	HINGE DOOR	ALDC,Cr plating,WW8/7/6/5500K	1	PC	SA
7	DC63-01071G	SHEET DAMPING	6500K/5500K,IIR,T5.0,BLACK	1	PC	SNA
8	DC63-01939A	COVER DOOR	WW8/7500K,ABS+PMMA,GENTLE BLU	1	PC	SNA
9	DC63-01945A	COVER-ADD IN	WW8/7/6/5500K,PETG,VERSAILL	1	PC	SA
10	DC63-01936A	COVER HOLDER	PP,VERSAILLES GRAY,GY0039,F	1	PC	SA
11	DC63-01947B	COVER-GLASS	WW7500K,ABS,HB,VERSAILLES GR	1	PC	SA
12	DC64-03389A	DOOR-GLASS	GLASS,T5.0,392*140.5	1	PC	SNA
13	DC61-04044A	SUPPORT HINGE	WD9500JK,ALDC,T2.5	1	PC	SA
14	DC62-00466A	SEAL WASHER	EPDM,BLACK,EPDM FOAM,L90*W40	1	PC	SA
15	DC62-00473A	SEAL CAP GUIDE	WW8/7/6/5500K,PP,VERSAILL	1	PC	SNA
16	DC62-00475A	SEAL RUBBER	ADD WASH,SI,GY0039	1	PC	SNA
17	DC62-00477A	CAP	PETG,HT,VERSAILLES GRAY,GY0039	1	PC	SA
18	DC66-00890A	LEVER-TIP	ZNDC,Ni Coating	1	PC	SA
19	DC61-04139A	HOLDER GLASS	WW8/7/6/5500K,PP,T3.0,VERSA	1	PC	SNA
20	DC61-04140A	GUIDE COVER	PETG,T2.0,HT,GENTLE BLUE(BL0	1	PC	SNA
21	DC62-00474A	SEAL DOOR	SI,GY0039	1	PC	SA
22	DC97-19401A	ASSY LATCH	WW8500K	1	PC	SA
23	DC34-00025D	SWITCH DOOR LOCK	DC12V,0.35	1	PC	SA
24	DC61-04137B	HOLDER GLASS	WW7500K,PP,VERSAILLES GRAY,	1	PC	SNA
25	DC61-02027A	SPRING ETC LEVER	STS304,CD1.2,L10.6	1	PC	SA
26	DC66-00497C	LEVER-DOOR	WW6000J,ZNDC,T5,NI COATING	1	PC	SA
27	DC61-03832A	BRACKET HOLDER	H800E,GI-SGCC,T1.4,-	1	PC	SNA
30	DC64-00564A	HANDLE PIN	WF602U2BKWQ/SC,STS304,NATURE	1	PC	SA
31	DC64-00828G	SWITCH DOOR	AC125/250V,1.5/0.75,1BUTTON,	1	PC	SA
33	DC93-00622A	ASSY WIRE HARNESS-SUB	DRUM-M,SUB ADD WAS	1	PC	SA
34	DC97-18046B	ASSY HINGE	WW7500K	1	PC	SA
34-1	DC61-04135A	BRACKET DOOR	WW8/7500K,ALDC,T3.0,228X76X	1	PC	SA
34-2	DC66-00891A	SHAFT HINGE	WW8500K,STS304,L115.5,OD6.0,	1	PC	SNA
34-3	DC61-04132A	SUPPORT HINGE	WW8/7500K,ALDC,T4.0	1	PC	SNA
34-4	DC61-03848A	SUPPORT HINGE-LEFT	ALDC,T3,-,-	2	PC	SNA
34-5	DC61-03875A	SPRING HINGE	STAINLESS-STS304,OD1.7	1	PC	SNA

MODEL CODE: WW90K7415OW/EC

Service Bom (**SA**: SERVICE AVAILABLE, **SNA**: SERVICE NOT AVAILABLE)

No	Code No.	Description	Specification	QTY	Un	SA/ SNA
34-6	DC66-00889A	LEVER LINK	WW8/7500K,ALDC,T5.0,ALDC12,Ni	1	PC	SNA
34-7	DC66-00843A	SHAFT HINGE	H800E,SWRCH10A,L243,OD6.0	1	PC	SNA
36	DC61-03839D	FRAME FRONT	WW7500K,EGI-SECC,DA WHITE,T0	1	PC	SNA
37	DC61-03930A	GUIDE FILTER	WD7000,PP,T2.0,-,TB53,NEAT	1	PC	SA
39	DC64-00828G	SWITCH DOOR	AC125/250V,1.5/0.75,1BUTTON,	1	PC	SA
40	DC61-00118A	CLAMP-CABLE	P1291,PA66,NATURAL,NC0001	1	PC	SA
41	DC34-00026A	SWITCH DOOR LOCK	AC250V,16,SOLNOID, DOOR	1	PC	SA
42	DC66-00850A	LEVER ACTUATOR	PP,T1.5,-,FC2305,-	1	PC	SNA
43	DC91-12078H	ASSY WIRE DIAPHRAGM	H900E	1	PC	SA
44	DC97-18510B	ASSY COVER FILTER	WD7000J,DA WHITE	1	PC	SA
44-1	DC63-01815A	COVER FILTER	WD7000,ABS,T3.0,DA WHITE,HG	1	PC	SA
45	DC97-19306A	ASSY DOOR	WW7500K,WW90K7405OW/EG	1	PC	SA
46	DC97-19300A	ASSY HOLDER GLASS	WW7500K,WW90K7405OW/EG	1	PC	SA
47	DC97-19383A	ASSY FRAME FRONT	WW7500K,DA WHITE	1	PC	SA
48	DC93-00654A	ASSY WIRE HARNESS-SUB	DRUM-M,WW90K7415OW	1	PC	SA
49	DC97-19304A	ASSY HOLDER GLASS	WW7500K,WW90K7405OW/EG	1	PC	SA
50	DC97-19307A	ASSY COVER DOOR	WW7500K,WW90K7405OW/EG	1	PC	SA

5.PANEL-CONTROL & DRAWER

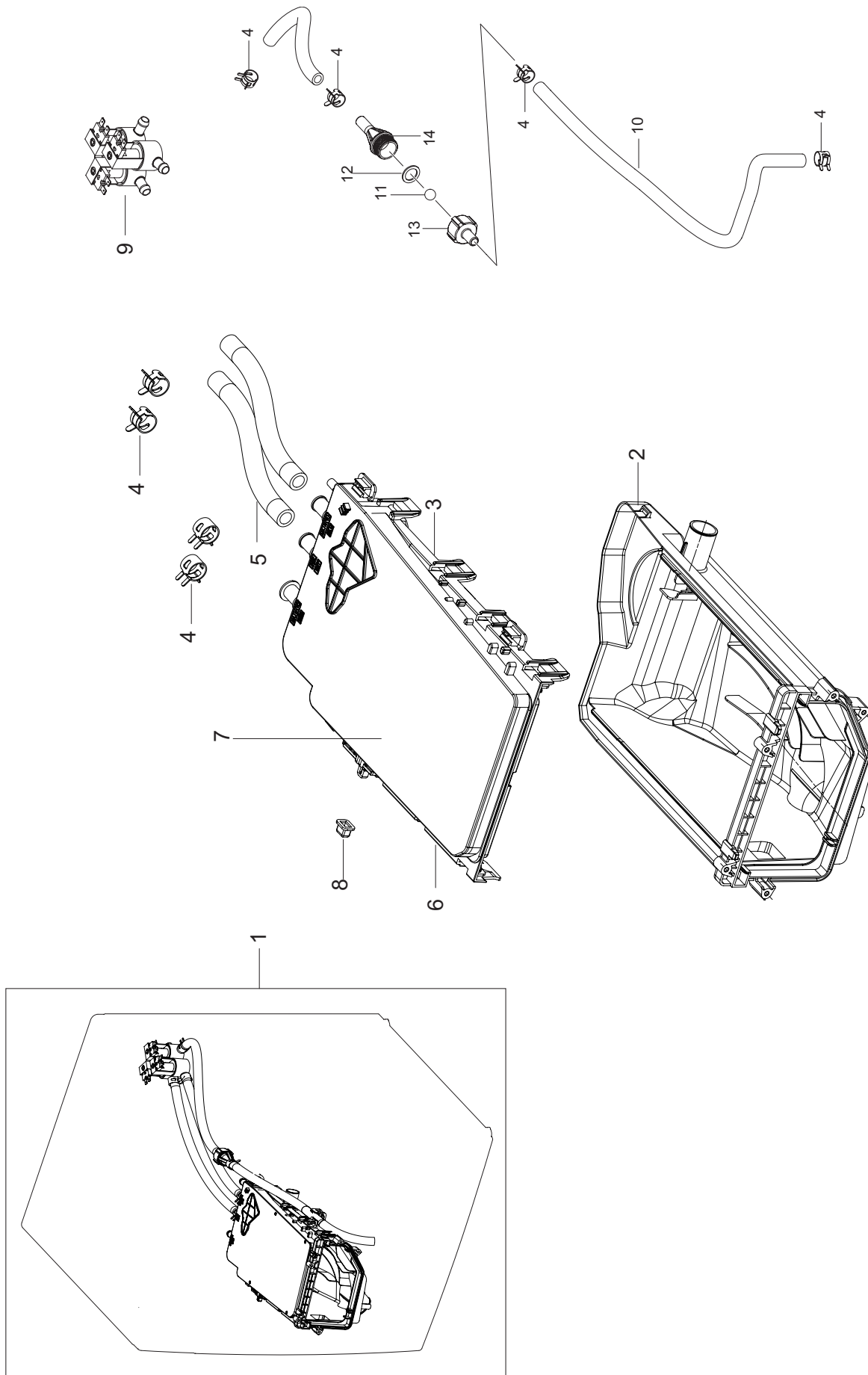


MODEL CODE: WW90K7415OW/EC

Service Bom (SA: SERVICE AVAILABLE, SNA: SERVICE NOT AVAILABLE)

SVC Code	Code No.	Description	Specification	QTY	Un	SA/SNA
0	-	PANEL CONTROL & DRAWER	-			
1	DC97-19373A	ASSY PANEL CONTROL	WW7500K,WW90K7415OW/E	1	PC	SA
2	DC64-03085A	PANEL CONTROL	WW7000H,ABS,HB,HG-0760GP,D	1	PC	SNA
3	DC64-02600D	WINDOW ENCODER	H700E,PMMA,TF-0959T,GRAY	1	PC	SA
4	DC64-03404A	WINDOW PANEL	WW90K7415OW/EC,PMMA,FT6120,	1	PC	SNA
5	DC97-18217A	ASSY BUTTON	H700E	1	PC	SNA
5-1	DC64-03105A	DECORATION BUTTON-START	PMMA,T2.3,HB,CLE	1	PC	SNA
5-2	DC64-03102A	DECORATION BUTTON-POWER	PMMA,T2.3,HB,CLE	1	PC	SNA
5-3	DC64-03096A	BUTTON PUSH	WW8000HE,ABS,-,DA WHITE,WT00	1	PC	SA
5-4	DC63-01739A	COVER BUTTON	ABS,T2.5,-,DA WHITE,HG-0760	1	PC	SNA
6	DC97-18117A	ASSY PANEL DRAWER	WW90H7600EW/WS	1	PC	SA
6-1	DC64-03087A	PANEL DRAWER	WW7000H,ABS,HB,HG-0760GP,DA	1	PC	SNA
6-2	DC64-03088A	HANDLE DRAWER	WW7000H,ABS,HG-0760GP,HB,D	1	PC	SNA
7	DC92-01876A	ASSY KIT	FWM_INV,WW7500K,HEBA63, 9KG, 14	1	PC	SA
7-1	DC92-01875A	ASSY PCB DISPLAY	FWM_INV,WW7500K,317*82.	1	PC	SA
8	DC64-03312B	KNOB ENCODER	F500E,ABS+PMMA,BK0018, TP00	1	PC	SA
8-1	DC61-03129A	BODY DRAWER	WF1802XEC/YLP,PP,DA WHITE,WT	1	PC	SA
8-2	DC67-00452A	CAP RINSE	WF0800NCE,PP,MT43, PTN960,HONE	1	PC	SNA
9	DC67-00524A	CAP DRAWER	WF0804Y8E/XEF,PP,T2.0,MT43, P	1	PC	SA
10	DC61-02581C	GUIDE LIQUID-MIDDLE	WF1802XEC,PP,T2.0,MT	1	PC	SA
11	DC93-00482A	ASSY SENSOR	WW8000HE,5V,8-BUTTON,TOUCH S	1	PC	SA
12	DC61-02581C	GUIDE LIQUID-MIDDLE	WF1802XEC,PP,T2.0,MT	1	PC	SA
13	DC93-00482A	ASSY SENSOR	WW8000HE,5V,8-BUTTON,TOUCH S	1	PC	SA

6.ASS'Y HOUSING DRAWER



MODEL CODE: WW90K7415OW/ECService Bom (**SA**: SERVICE AVAILABLE, **SNA**: SERVICE NOT AVAILABLE)

Drawing No.	Code No.	Description	Specification	QTY	Un	SA/SNA
1	DC97-18579N	ASSY HOUSING DRAWER	WW7500K	1	PC	SA
2	DC61-02434A	HOUSING DRAWER-LOW	HEBA-PJT,PP,T1.8,NATU	1	PC	SA
3	DC61-02585A	HOUSING DRAWER-MIDDLE	WF0800NCE,PP,NATUR	1	PC	SNA
4	DC65-00008B	CLAMPER HOSE	SSEC-GE,SK5,-,Dacromet,T1.0	2	PC	SA
5	DC67-00051B	HOSE DRAWER	Q1636GW/XEU,EPDM,ID9.0,OD14.	1	M	SNA
6	DC97-16006A	ASSY S.HOUSING DRAWER	SCOUT,WF0804Y8E,PP	1	PC	SNA
7	DC61-02587A	HOUSING DRAWER-UP	WF0800NCE,PP,T1.8,W162	1	PC	SNA
8	DC67-00327A	CAP DRAWER HOOK	HEBA-PJT,EPDM,T1.1,W13.9	1	PC	SNA
9	DC62-00233D	VALVE WATER	AC220-240V,BLUE,#250	1	PC	SA
10	DC67-00051B	HOSE DRAWER	Q1636GW/XEU,EPDM,ID9.0,OD14.	1	M	SNA
11	DC62-00167A	NOZZLE BALL	Q1636GW,SILICON,-,-,-,-,TS	1	PC	SNA
12	DC69-00640A	PACKING-FILTER	DRUM W/M,CB,T2.5,BLK,SILI	1	PC	SNA
13	DC62-00183A	NOZZLE CONNECTOR-LOW	POM,NATURAL	1	PC	SNA
14	DC62-00182B	NOZZLE CONNECTOR-UP	WF361BVBEWR/A2,POM,N	1	PC	SNA

9.PARTS LIST (SCREW TYPE)

MODEL CODE: WW90K7415OW/EC

Service Bom (SA: SERVICE AVAILABLE, SNA: SERVICE NOT AVAILABLE)

No.	Code No.	Description	Specification	QTY	Un	SA/ SNA
1	6002-000445	SCREW-TAPPING	TH,+,NO,2S,M4,L18,PASS,STS	2	PC	SNA
2	6003-001768	SCREW-TAPTYPE	TH,+,WT,S,M4,L10,ZPC(WHT),	1	PC	SNA
3	6002-001554	SCREW-TAPPING	BH,+,No,1,M4,L12,STS430,HE	2	PC	SNA
4	6002-000444	SCREW-TAPPING	TH,+,2,M4,L14,PASS,STS430	6	PC	SNA
5	6002-000213	SCREW-TAPPING	TH,+,1,M4,L12,ZPC(WHT),SWR	1	PC	SNA
6	6002-001006	SCREW-TAPPING	TH,+,-,2S,M4,L12,PASS,STS4	3	PC	SNA
7	6002-000445	SCREW-TAPPING	TH,+,NO,2S,M4,L18,PASS,STS	2	PC	SNA
8	6002-001286	SCREW-TAPPING	FH,+,-,1,M4,L16,PASS,STS43	2	PC	SNA
9	6002-001554	SCREW-TAPPING	BH,+,No,1,M4,L12,STS430,HE	2	PC	SNA
10	6002-000471	SCREW-TAPPING	TH,+,-,1,M4,L12,PASS,STS30	6	PC	SNA
11	6002-001286	SCREW-TAPPING	FH,+,-,1,M4,L16,PASS,STS43	2	PC	SNA
12	6002-000471	SCREW-TAPPING	TH,+,-,1,M4,L12,PASS,STS30	6	PC	SNA
13	6002-000630	SCREW-TAPPING	PH,+,NO,2S,M3,L8,ZPC(WHT),	7	PC	SNA
14	6002-000444	SCREW-TAPPING	TH,+,2,M4,L14,PASS,STS430	6	PC	SNA
15	6002-000470	SCREW-TAPPING	TH,+,NO,1,M4,L10,ZPC(WHT),	2	PC	SNA
16	6002-000444	SCREW-TAPPING	TH,+,2,M4,L14,PASS,STS430	6	PC	SNA
17	6002-000470	SCREW-TAPPING	TH,+,NO,1,M4,L10,ZPC(WHT),	2	PC	SNA
18	6002-000471	SCREW-TAPPING	TH,+,-,1,M4,L12,PASS,STS30	6	PC	SNA
19	6009-001522	SCREW-HEX	HWH,+,M5,L16,PASS,STS430,FP,SE	2	PC	SA
20	6002-000213	SCREW-TAPPING	TH,+,1,M4,L12,ZPC(WHT),SWR	1	PC	SNA
21	6002-000445	SCREW-TAPPING	TH,+,NO,2S,M4,L18,PASS,STS	2	PC	SNA
22	6002-001438	SCREW-TAPPING	HWH,+,NO,1,M5,L12,ZPC(WHT)	2	PC	SNA
23	6003-000226	SCREW-TAPTYPE	TH,+,-,S,M4,L8,ZPC(WHT),SW	2	PC	SNA
24	6006-001174	SCREW-TAPPING	TH,+,WT,2S,M4,L12,ZPC(WHT)	4	PC	SNA
25	6009-001343	SCREW-SPECIAL	PH,TORX,M4,L12,ZPC(WHT),SW	1	PC	SNA
26	6002-000520	SCREW-TAPPING	TH,+,-,2,M4,L12,ZPC(WHT),S	1	PC	SNA
27	6002-000630	SCREW-TAPPING	PH,+,NO,2S,M3,L8,ZPC(WHT),	7	PC	SNA
28	6002-000630	SCREW-TAPPING	PH,+,NO,2S,M3,L8,ZPC(WHT),	7	PC	SNA
29	6001-000115	SCREW-MACHINE	BH,+,-,M3,L10,ZPC(WHT),SWR	2	PC	SNA
30	6002-000520	SCREW-TAPPING	TH,+,-,2,M4,L12,ZPC(WHT),S	1	PC	SNA

MODEL CODE: WW90K7415OW/EC

Service Bom (**SA**: SERVICE AVAILABLE, **SNA**: SERVICE NOT AVAILABLE)

No.	Code No.	Description	Specification	QTY	Un	SA/ SNA
31	6002-000630	SCREW-TAPPING	PH,+,NO,2S,M3,L8,ZPC(WHT),	7	PC	SNA
32	DC97-14006C	ASSY SCREW	GRIFFIN-PJT,WF9904RWE,SWRCH18	2	PC	SNA
33	6002-001436	SCREW-TAPPING	PH,+,2,M4,L18,ZPC(WHT),SWR	6	PC	SNA
34	DC97-15858A	ASSY SCREW	trumph-PJT,WF-F1061/YLP,SWRCH	2	PC	SNA
35	6001-001773	SCREW-MACHINE	TH,+,-,M5,L12,PASS,STS430,	2	PC	SA
36	6002-000213	SCREW-TAPPING	TH,+,1,M4,L12,ZPC(WHT),SWR	1	PC	SNA
37	6003-001768	SCREW-TAPTYPE	TH,+,WT,S,M4,L10,ZPC(WHT),	1	PC	SNA
38	6006-001174	SCREW-TAPPING	TH,+,WT,2S,M4,L12,ZPC(WHT)	4	PC	SNA
39	6002-001327	SCREW-TAPPING	PWH,+,1,M4,L12,ZPC(WHT),SW	6	PC	SNA
40	6006-001174	SCREW-TAPPING	TH,+,WT,2S,M4,L12,ZPC(WHT)	4	PC	SNA
41	DE60-10080A	SCREW-TAPPING	PWH,+,-,2S,M5,L9,-,SWRCH18	2	PC	SNA