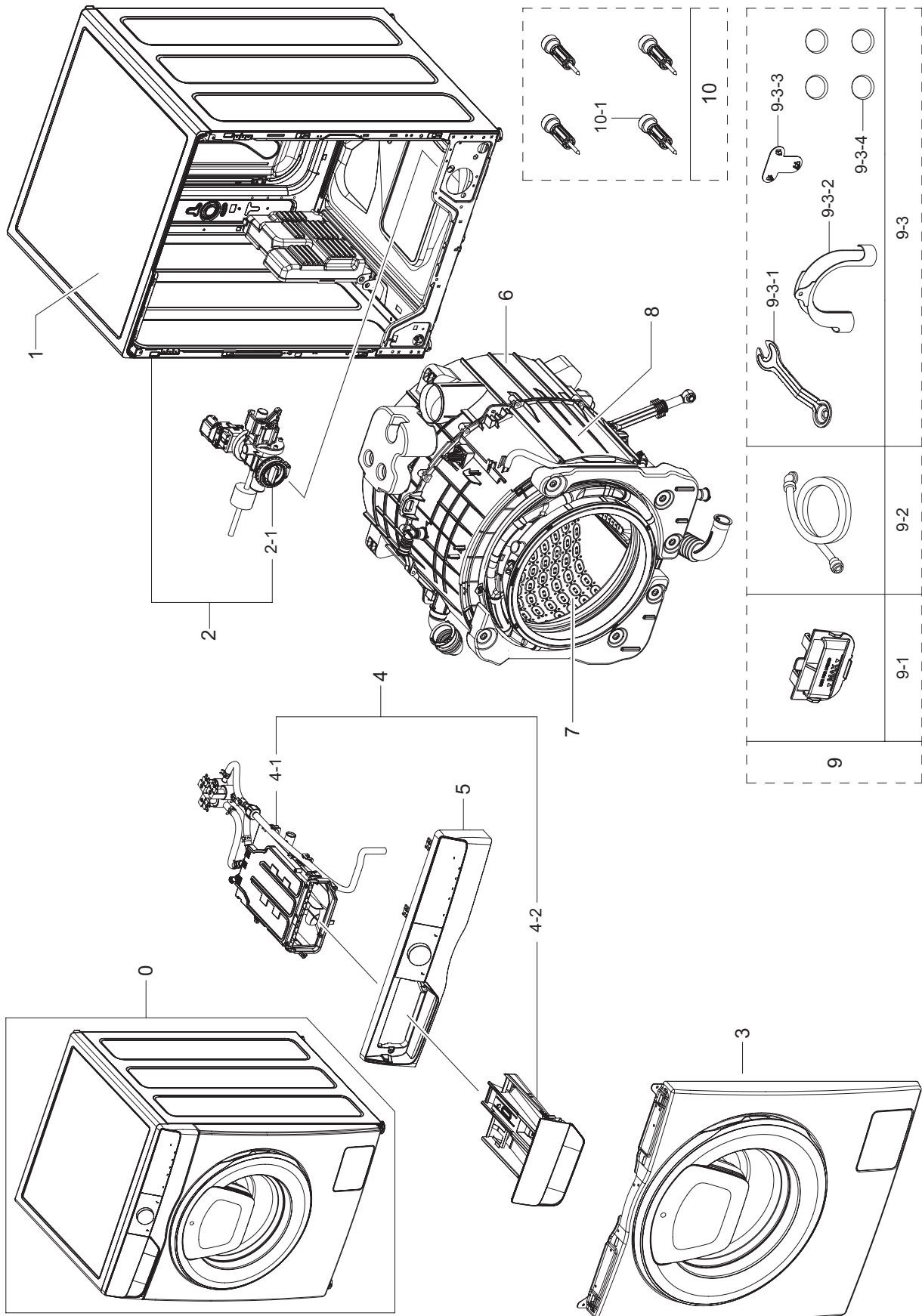


# 1. MAIN (WW8GT654ALH/S2)

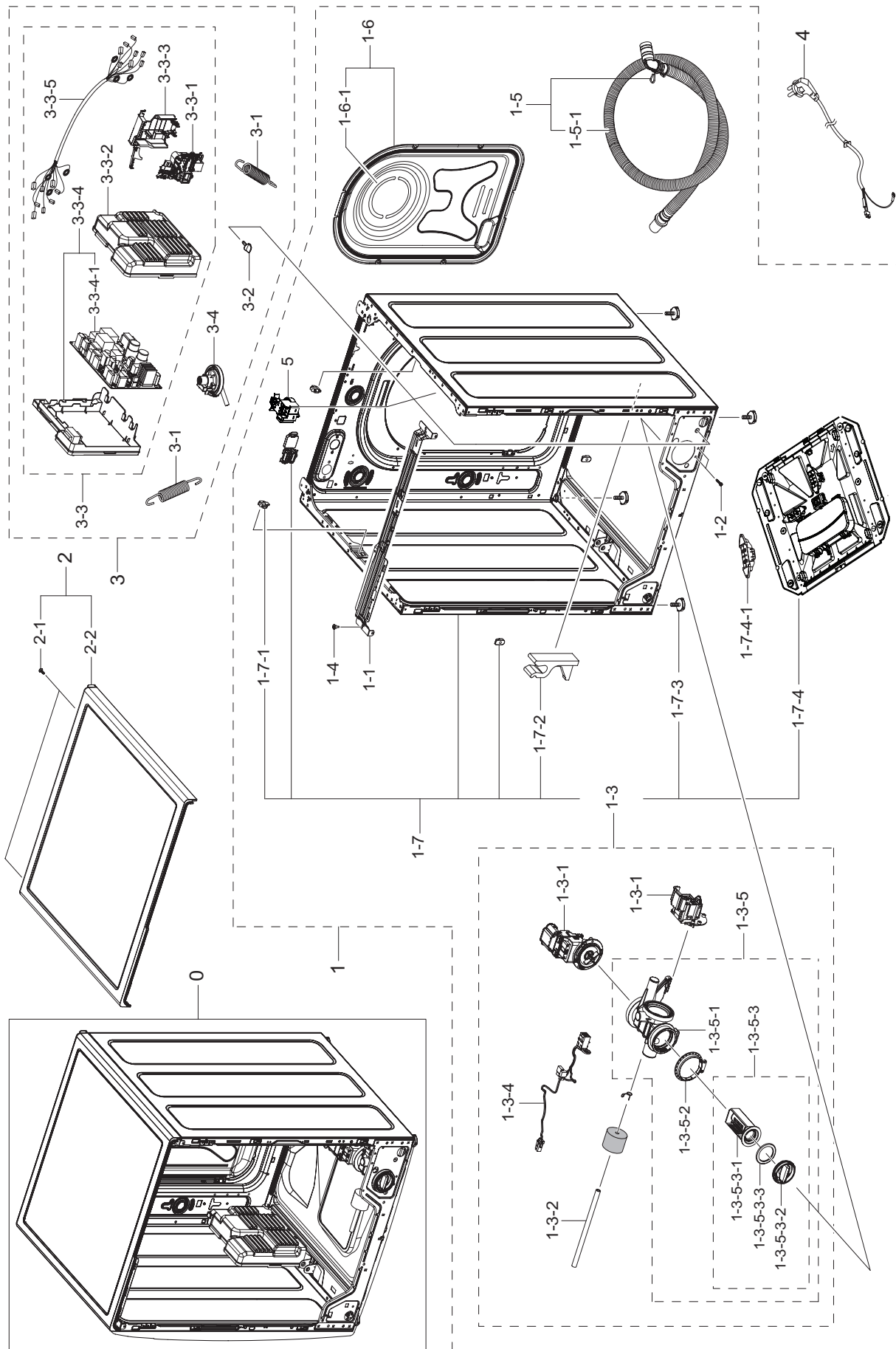


## MODEL CODE (WW8GT654ALH/S2 )

Service Bom (SA: SERVICE AVAILABLE, SNA: SERVICE NOT AVAILABLE)

Drawing No.	Code No.	Description	Specification	QTY	Un	SA/SNA
0	WW8GT654ALH/S2					
1	DC90-28837M	ASSY COVER TOP PARTS	WW9GT684ALE/S2	1	PC	SNA
2	DC90-28837A	ASSY FRAME PARTS	WW9GT684ALE/S2	1	PC	SNA
2-1	DC97-15696P	ASSY PUMP DRAIN	GCO11,WW8GM642O2W/EG,BUB	1	PC	SNA
3	DC90-28790A	ASSY FRONT PARTS	WW10T654ALE/S2	1	PC	SNA
4	DC90-28652B	ASSY DRAWER PARTS	WW7000T,WW10T754DBH/S3	1	PC	SNA
4-1	DC97-22247C	ASSY HOUSING DRAWER-MODULE	WW7000T,HEBA	1	PC	SNA
4-2	DC97-22250B	ASSY DRAWER-MODULE	U-PJT,WW6000T,DA WHITE	1	PC	SNA
5	DC90-28660T	ASSY PANEL CONTROL PARTS	WW10T654DLH/S3	1	PC	SNA
6	DC90-28652D	ASSY TUB BACK PARTS	WW7000T,WW10T754DBH/	1	PC	SNA
7	DC90-28652C	ASSY DRUM PARTS	WW7000T,WW10T754DBH/S3	1	PC	SNA
8	DC90-28652E	ASSY TUB FRONT PARTS	WW7000T,WW10T754DBH	1	PC	SNA
9	DC90-28638V	ASSY ACCESSORY PARTS	WD80T554ABE/S2	1	PC	SNA
9-1	DC61-03510A	GUIDE LIQUID	WF-F500E,PP+TD30%,MT43,Hone	1	PC	SA
9-2	DC62-00079A	ASSY HOSE WATER	P1405J,AQUA-STOP,L1500,G	1	PC	SC
9-3-1	DC60-00104A	FASTENER-BOLT	ALL,CR-SPCC,2.0,L113.5	1	PC	SA
9-3-2	DC62-10278A	HOSE HANGER	PUMP MODEL,PP,ID27,T1.5,HS95	1	PC	SA
9-3-3	DC67-00208B	CAP-FIXER	WF8602NHS/XFA,PP,T1.5,COPO,BLA	1	PC	SA
9-3-4	DC67-00307A	CAP-FIXER	WF438AAC/XAA,PP,T1.5,COPO,BLAC	4	PC	SA
10	DC97-14653C	ASSY FIXER TUB	SCOUT,WF0804Y8E/XEF	4	PC	SA
10-1	DC60-60044B	WASHER PLAIN	WW65R20GLSW/TL,SWRCH18A,T2	4	PC	SA

## 2. ASSY FRAME & COVER PARTS (WW8GT654ALH/S2)



## MODEL CODE (WW8GT654ALH/S2)

Service Bom (SA: SERVICE AVAILABLE, SNA: SERVICE NOT AVAILABLE)

Drawing No.	Code No.	Description	Specification	QTY	Un	SA/SNA
0		ASSY FRAME & INNER PARTS	WW7000T			
1	DC90-28837A	ASSY FRAME PARTS	WW9GT684ALE/S2	1	PC	SNA
1-1	DC61-05248B	FRAME PLATE-UP	WW7000T,GI-SGCC,T1.4	1	PC	SA
1-2	DC97-14006C	ASSY SCREW	GRIFFIN-PJT,WF9904RWE,SWRCH18	2	PC	SNA
1-3	DC97-15696P	ASSY PUMP DRAIN	GCO11,WW8GM642O2W/EG,BUB	1	PC	SNA
1-3-1	DC31-00181A	MOTOR AC PUMP	Drum&Auto,B15-6A/S3019/S30	2	PC	SA
1-3-2	DC67-00244C	HOSE DRAIN	WF0804Y8E,EPDM,ID6,OD11,T2.5,	1	PC	SA
1-3-4	DC96-01567C	ASSY WIRE HARNESS	AEGIS 3- PJT,WF0702WKN	1	PC	SA
1-3-5	DC97-19914A	ASSY CASE FILTER	BUBBLE	1	PC	SA
1-3-5-1	DC61-02271B	CASE PUMP	WF0804Y8E/ XEF,PP+TD30%,T2.5,W1	1	PC	SA
1-3-5-2	DC69-01128A	PACKING-PUMP	WF8804DP,IIR,BUTYL,T2.5,HEB	1	PC	SA
1-3-5-3	DC97-15695C	ASSY FILTER	Heba,WF9904CWN1	1	PC	SA
1-3-5-3-1	DC63-00998A	FILTER PUMP	SCOUT-PJT,PP+TD30%,W52.8,L93	1	PC	SA
1-3-5-3-2	DC64-02783A	HANDLE FILTER	WF350ANW/XAA,PP+(GF+KD)30%	1	PC	SA
1-3-5-3-3	DC73-00022A	SEAL PACKING	SEW-HVR149ATA,EPDM,BLACK	1	PC	SA
1-4	DC97-15858A	ASSY SCREW	trumph-PJT,WF-F1061/YLP,SWRCH	2	PC	SNA
1-5	DC97-20913B	ASSY HOSE DRAIN(O)	Heba,1870,ID20.5	1	PC	SA
1-5-1	DC67-00992A	HOSE PUMP	Heba,PP,ID20.5,T1,LIGHT GRAY	1	PC	SA
1-6	DC97-21048A	ASSY COVER BACK	WW6000T,WW90T654DLH/S6,U	1	PC	SNA
1-6-1	DC63-00862C	COVER BACK	WF8600NMW,GI-SGCC,T0.35,W352,	1	PC	SA
1-7	DC97-22339F	ASSY FRAME-MODULE	WW7000T,-WW9GT754AWH/S	1	PC	SA
1-7-1	DC61-02065A	GUIDE SPRING	WF448AAG/XXA,POM,T4,W24,L36	2	PC	SA
1-7-2	DC61-02601A	GUIDE HOSE	SEINE COMBO 9.0kg,PS FOAM,WHI	1	PC	SA
1-7-3	DC97-00920W	ASSY LEG	WW6000T,WD90T654DBH/ S1,48.5,M10	4	PC	SA
1-7-4	DC97-21482B	ASSY COVER BOTTOM	WW7800M,WW8GM74NN2A/EG	1	PC	SNA
1-7-4-1	DC96-01610B	ASSY SENSOR POLE	12V	1	PC	SA
2	DC90-28837M	ASSY COVER TOP PARTS	WW9GT684ALE/S2	1	PC	SNA
2-1	6002-001438	SCREW-TAPPING	HWH,+,NO,1,M5,L12,ZPC(WHT)	2	PC	SNA
2-2	DC97-21151C	ASSY COVER TOP-MODULE	WW6500K(HEBA58),WW	1	PC	SA
3	DC90-28837Y	ASSY INNER PARTS	WW8GT654ALH/S2	1	PC	SNA
3-1	DC61-02029D	SPRING ETC-HANGER MODULE	WW6800M,HSWR,3.	2	PC	SA
3-2	DC61-10673C	CAP DRAIN	WF1802XEY/XSC,PP,BLACK	1	PC	SA

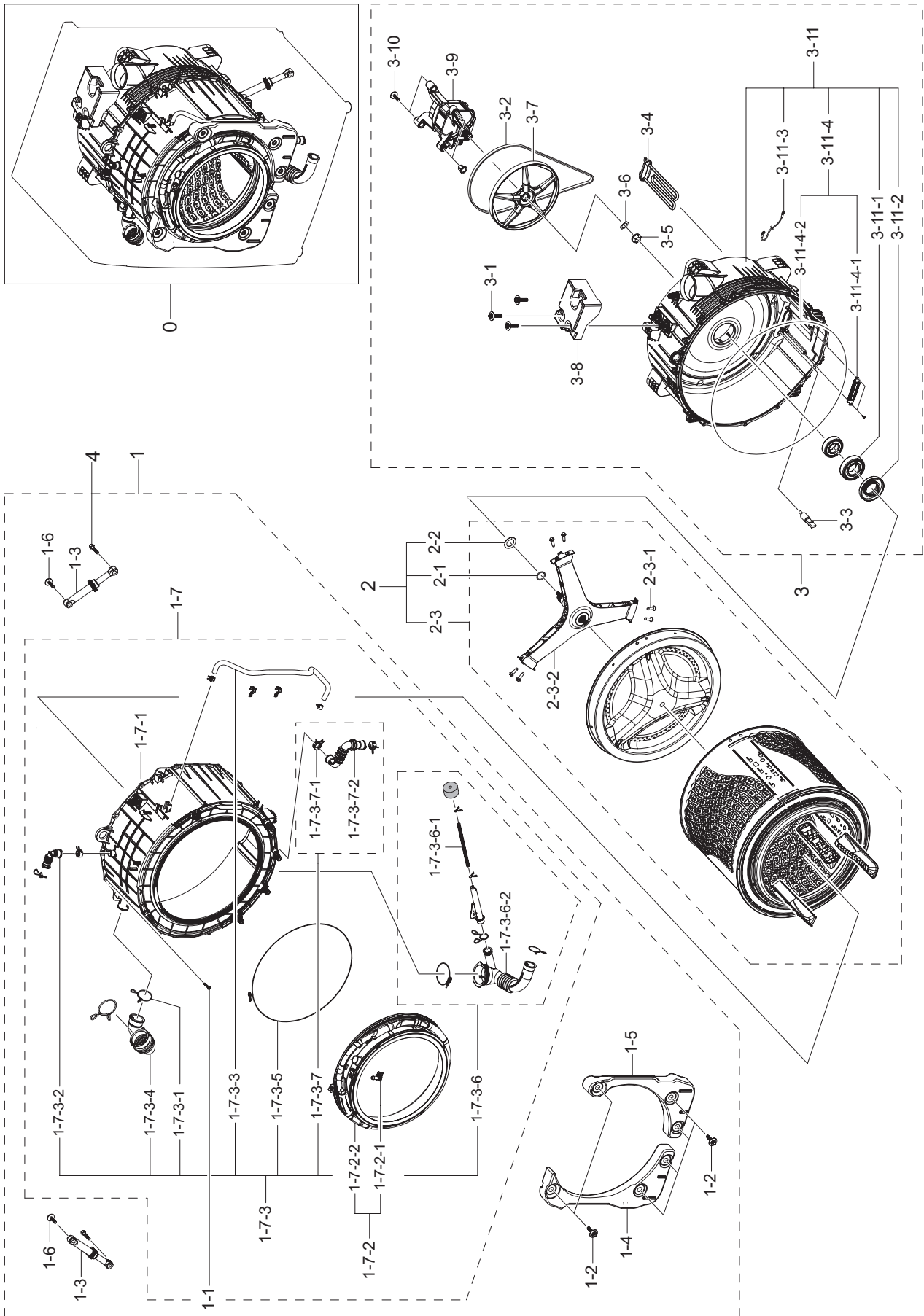
---

## MODEL CODE (WW8GT654ALH/S2)

Service Bom (**SA**: SERVICE AVAILABLE, **SNA**: SERVICE NOT AVAILABLE)

Drawing No.	Code No.	Description	Specification	QTY	Un	SA/SNA
3-3	DC92-02707K	ASSY COVER PCB W/ HARNESS	WW8GT654ALH/S2	1	PC	SNA
3-3-1	DC34-00028B	SWITCH DOOR LOCK	AC250V,16A,SOLENOID, DO	1	PC	SA
3-3-2	DC63-02598A	COVER PBA	WW6000T(F500E-SSEC),ABS,T2.5,5	1	PC	SA
3-3-3	DC63-02602A	COVER DOOR SWITCH	WW6000,PP,T2.5,5VA,NAT	1	PC	SA
3-3-4	DC92-02851A	ASSY HOLDER PCB	WW6000T,DC94-11313A,Y,SM	1	PC	SA
3-3-4-1	DC94-11313A	ASSY PCB EEPROM	7069,U PJT,WW8GT654ALH/S	1	PC	SNA
3-3-5	DC93-00890C	ASSY WIRE HARNESS-MAIN	DRUM-M,WW10T654AL	1	PC	SA
4	DC39-00067B	POWER CORD-AT	H05VV-F 3x1.0mm2,GRY,EU3F,	1	PC	SA
5	DC96-01703G	SENSOR PRESSURE	Air,5V,L0,400mmH2O	1	PC	SA

### 3. ASSY TUB & DRUM PARTS (WW8GT654ALH/S2)



## MODEL CODE (WW8GT654ALH/S2)

Service Bom (SA: SERVICE AVAILABLE, SNA: SERVICE NOT AVAILABLE)

Drawing No.	Code No.	Description	Specification	QTY	Un	SA/ SNA
0		ASSY TUB & DRUM PARTS	WW7000T			
1	DC90-28652E	ASSY TUB FRONT PARTS	WW7000T,WW10T754DBH	1	PC	SNA
1-1	6009-001367	BOLT-HEX	M6.5,L32,ZPC(WHT),HWH,+,SWRCH18	15	PC	SNA
1-2	6011-003934	BOLT-HEX	M7.6,L48,ZPC(WHT),SCM 435,WASHE	3	PC	SA
1-3	DC66-00470G	DAMPER SHOCK-MODULE	24" Drum,PP/RUBBER/S	2	PC	SA
1-4	DC67-00944B	WEIGHT BALANCER-LEFT MODULE	WD6800N,CONC	1	PC	SA
1-5	DC67-01112B	WEIGHT BALANCER-RIGHT MODULE	WW10T754DBH	1	PC	SA
1-6	DC97-14263A	ASSY BOLT	MOTOR/BOLT(M8)+WASHER(OD27.5),	2	PC	SA
1-7	DC97-20524A	ASSY TUB FRONT-MODULE	WW6800M	1	PC	SA
1-7-1	DC61-04513A	TUB FRONT	WW90M645OPW/EU,FRPP,T3.5,WHITE	1	PC	SA
1-7-2	DC97-20515A	ASSY DIAPHRAGM	WW6800M	1	PC	SA
1-7-2-1	DC62-00349A	NOZZLE DIAPHRAGM	WF457ARGSGR,PP+TD20%,OD	1	PC	SA
1-7-2-2	DC64-03690A	DOOR DIAPHRAGM	WW6800N,EPDM,T1.5,EPDM,LI	1	PC	SA
1-7-3	DC97-20566A	ASSY TUB FRONT	MK-PJT,WW6800M	1	PC	SNA
1-7-3-1	DC65-60118R	CLIP RING	AEGIS-PJT,HSWR-SWRH,T3.0,ID37	1	PC	SA
1-7-3-2	DC67-00354A	HOSE AIR	HEBA PJT,EPDM,BLACK,18.3g	1	PC	SA
1-7-3-3	DC67-00606A	HOSE AIR	AEGIS 2A COMBO BUBBLE-PJT,EPDM,	1	PC	SA
1-7-3-4	DC67-00674A	HOSE DRAWER TUB	SEINE COMBO,EPDM,ID34.9,	1	PC	SA
1-7-3-5	DC91-12077G	ASSY CLAMP DIAPHRAGM	AEGIS,WF8500NHW/YLP	1	PC	SA
1-7-3-6	DC97-14637R	ASSY HOSE PRESSURE	600mmH20,No PBA,Hook	1	PC	SNA
1-7-3-6-1	DC67-00230B	HOSE WATER	WF8800,TPE,ID4.5,OD8.0,T1.75,	1	PC	SC
1-7-3-6-2	DC67-00335A	HOSE FILTER TUB	AEGIS-PJT,EPDM,ID64.5	1	PC	SA
1-7-3-7	DC97-17515B	ASSY HOSE AIR	MK-PJT,6800M/7800M,BUBBLE	1	PC	SA
1-7-3-7-1	DC61-00158A	CLAMPER HOSE	SW65ASP,SK5,ID23,T0.8,-,-,-	2	PC	SA
1-7-3-7-2	DC67-00526A	HOSE AIR TUB	AEGIS3-PJT,EPDM,T2.8,BLACK	1	PC	SA
2	DC90-28652C	ASSY DRUM PARTS	WW7000T,WW10T754DBH/S3	1	PC	SNA
2-1	6044-001781	RING-OG	ID33,OD36.4,T1.8,BLK,NBR	1	PC	SA
2-2	DC60-00132A	WASHER-SPRING	STS304,T0.5,ID35.2,OD39.2,	1	PC	SA
2-3	DC97-22363A	ASSY DRUM-MODULE	WW6500N-WW7000T,1400RPM	1	PC	SA

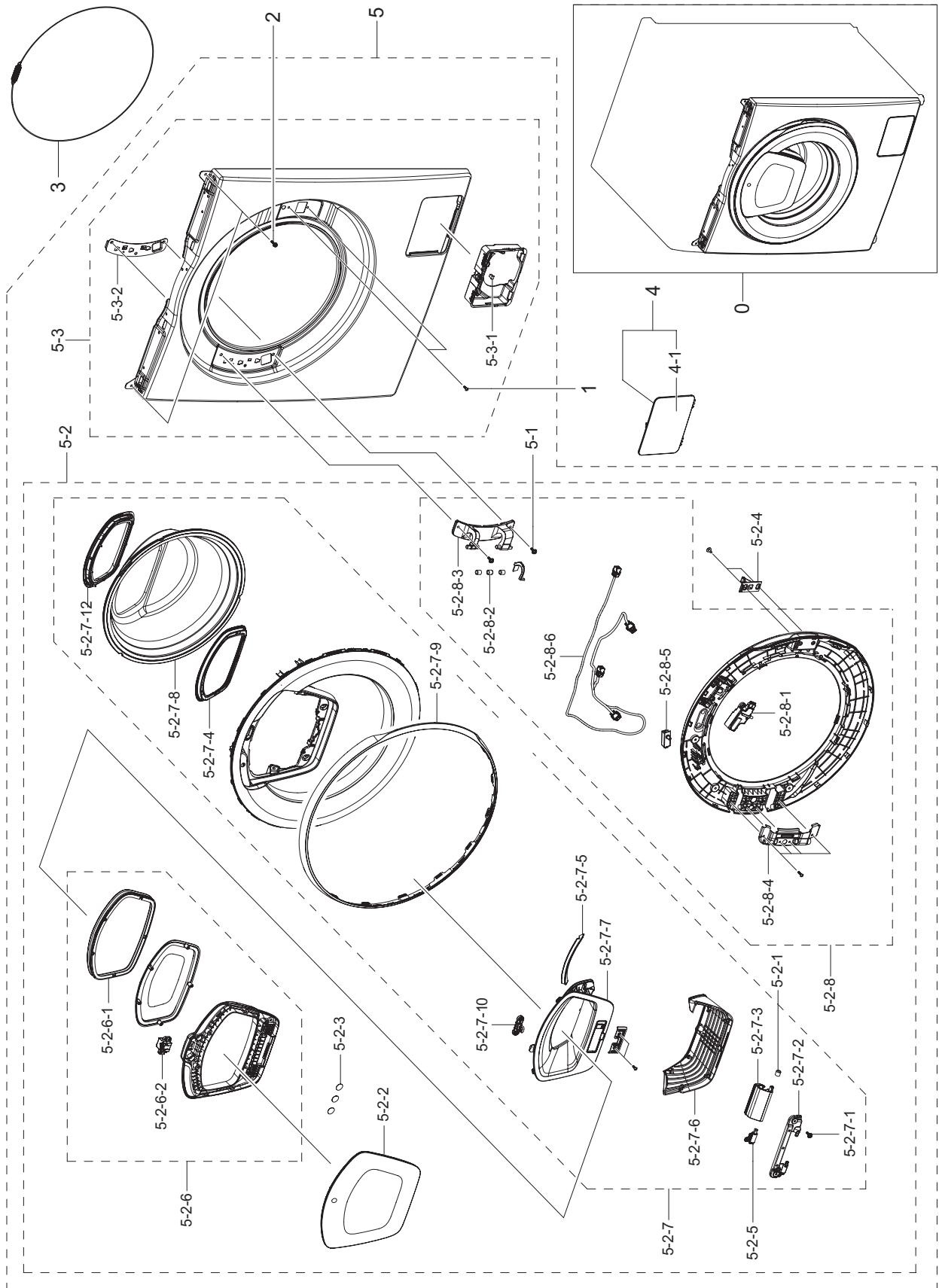
## MODEL CODE (WW8GT654ALH/S2)

Service Bom (SA: SERVICE AVAILABLE, SNA: SERVICE NOT AVAILABLE)

Drawing No.	Code No.	Description	Specification	QTY	Un	SA/ SNA
2-3-1	DC60-40137A	BOLT HEX	MARS-PJT,STS430,M8,P1.25,L30,HE	6	PC	SA
2-3-2	DC97-20825A	ASSY FLANGE SHAFT	WW6500N	1	PC	SA
3	DC90-28652D	ASSY TUB BACK PARTS	WW7000T,WW10T754DBH/	1	PC	SNA
3-1	6011-003934	BOLT-HEX	M7.6,L48,ZPC(WHT),SCM 435,WASHE	3	PC	SA
3-2	6602-003993	BELT-TIMING GEAR	5J,RUBBER,T3.2,W11.7,L1	1	PC	SNA
3-3	DC32-00010C	THERMISTOR	WASHER,-10~100,5,5,3.243k ± 2	1	PC	SA
3-4	DC47-00033B	HEATER WASH	AC230V,2000W,SUS316L,728mm,N	1	PC	SA
3-5	DC60-00128A	NUT SPIN	DUAL DRIVE,ZNDC,11mm,M28*1.5	1	PC	SNA
3-6	DC60-60011B	WASHER WAVE	STS301,ID28.7,OD42,T0.8,ACP	1	PC	SA
3-7	DC66-00936A	PULLEY MOTOR	DUAL DRIVE,ALDC,NATURAL,OD2	1	PC	SNA
3-8	DC67-00993A	WEIGHT BALANCER-UP MODULE	WW6500N,CONCRE	1	PC	SA
3-9	DC93-00586D	ASSY MOTOR BLDC- MODULE	WW7800M,WDM350FGA	1	PC	SA
3-10	DC97-14263A	ASSY BOLT	MOTOR/BOLT(M8)+WASHER(OD27.5),	2	PC	SA
3-11	DC97-20522C	ASSY TUB BACK-MODULE	WW6500N,WW10N644RPW	1	PC	SA
3-11-1	6601-002637	BEARING BALL	6207ZZ,ID35,OD72,GCr15	1	PC	SA
3-11-2	DC62-00156A	SEAL OIL	TS85-PJT,NBR,BLK	1	PC	SA
3-11-3	DC96-01327D	ASSY WIRE HARNESS- EARTH	DRUM-M,WF1124ZAQ	1	PC	SA
3-11-4	DC97-20523B	ASSY TUB BACK	WW6500N,WW10N644RPW/AH	1	PC	SNA
3-11-4-1	DC61-02664B	BRACKET HEATER	HEBA,STS430,T0.5	1	PC	SA
3-11-4-2	DC69-01769A	PACKING-TUB	ARNO,EPDM,EPDM,T5.5,L1720,BL	1	PC	SA
4	DC60-40144A	BOLT HEX	F500,SM10C,T10,L35,DAMPER	2	PC	SA



## 4. ASSY FRONT PARTS (WW8GT654ALH/S2)



## MODEL CODE (WW8GT654ALH/S2)

Service Bom (SA: SERVICE AVAILABLE, SNA: SERVICE NOT AVAILABLE)

Drawing No	Code No.	Description	Specification	QTY	Un	SA/SNA
0	DC90-28790A	ASSY FRONT PARTS	WW10T654ALE/S2	1	PC	SNA
1	6002-001554	SCREW-TAPPING	BH,+ ,No,1,M4,L12,STS430,HE	2	PC	SNA
2	DE60-10080A	SCREW-TAPPING	PWH,+ ,2S,M5,L9,ZPC(WHT),SW	2	PC	SNA
3	DC91-12078E	ASSY WIRE DIAPHRAGM	AEGIS,WF8500NHW/YLP,	1	PC	SA
4	DC97-22290A	ASSY COVER FILTER	WW6000T,ABS,T2.5,DA WH	1	PC	SNA
4-1	DC63-00920M	COVER FILTER	ADD WASH,ABS,T2.5,DA WHITE,	1	PC	SA
5	DC97-22445T	ASSY FRAME FRONT	Q washer,WW10T654ALE/S2	1	PC	SNA
5-1	6009-001522	SCREW-HEX	HWH,+ ,M5,L16,PASS,STS430,FP,SE	2	PC	SA
5-2	DC97-22268A	ASSY DOOR-MODULE	WW6000T,ADD WASHER,EBON	1	PC	SA
5-2-1	DC61-00891A	GUIDE HINGE	HAUZEN(DOM),POM,F20-03,white	1	PC	SA
5-2-2	DC63-01942F	COVER DOOR	WW8000T,ABS,BLACK CAVIAR,2nd	1	PC	SA
5-2-3	DC64-03303A	INLAY-DOOR	WD9500J,PET,T0.3,VERSAILLES G	3	PC	SA
5-2-3	DC64-03303A	INLAY-DOOR	WD9500J,PET,T0.3,VERSAILLES G	3	PC	SA
5-2-4	DC66-00375A	LEVER DOOR	10KG DRUM,ZNDC,T2.5,-,-,-,-,N	1	PC	SC
5-2-5	DC66-00878A	DAMPER SHOCK-AXIS	WD9500JK,POM,NATURAL	1	PC	SA
5-2-6	DC97-19300A	ASSY HOLDER GLASS	WW7500K,WW90K7405OW/EG	1	PC	SA
5-2-6-1	DC62-00474A	SEAL DOOR	Si,GY0039	1	PC	SA
5-2-6-2	DC97-19401A	ASSY LATCH	WW8500K	1	PC	SA
5-2-7	DC97-22274A	ASSY COVER DOOR	WW6000T,ADD WASHER,EBONY	1	PC	SA
5-2-7-1	6009-001522	SCREW-HEX	HWH,+ ,M5,L16,PASS,STS430,FP,SE	2	PC	SA
5-2-7-2	DC61-04078A	SUPPORT HINGE	WD9500J,GI-SGCC,T1.4	1	PC	SA
5-2-7-3	DC61-04133D	HINGE DOOR	ADD WASH,PA6+GF50%,-,VERSAILL	1	PC	SA
5-2-7-4	DC62-00475A	SEAL RUBBER	ADD WASH,Si,GY0039	1	PC	SA
5-2-7-5	DC62-00477B	CAP	WW6/5/4600K,PP+TD30%,FC2305,VER SAILL	1	PC	SA
5-2-7-6	DC63-01943A	COVER HOLDER	24" ADD WASH,ABS,HB,VERSAIL	1	PC	SA
5-2-7-7	DC63-01945B	COVER-ADD IN	WW8/7/6/5500K,PP+TD30%,VERS	1	PC	SA
5-2-7-8	DC64-03390A	DOOR-GLASS	WW6500K,GLASS,T5,TRANSPARENT,	1	PC	SA
5-2-7-9	DC64-03949B	DECORATION COVER DOOR	DV90T8240SH/S1,ABS	1	PC	SA
5-2-7-10	DC66-00890A	LEVER-TIP	WW5500K,ZNDC,Ni Coating	1	PC	SA
5-2-7-11	DC62-00473A	SEAL CAP GUIDE	WW8/7/6/5500K,PP+TD30%,VE	1	PC	SA
5-2-8	DC97-22276A	ASSY HOLDER GLASS	WW8000T,ADD WASHER,Ver	1	PC	SA
5-2-8-1	DC34-00025D	SWITCH DOOR LOCK	DC12V,0.35	1	PC	SA

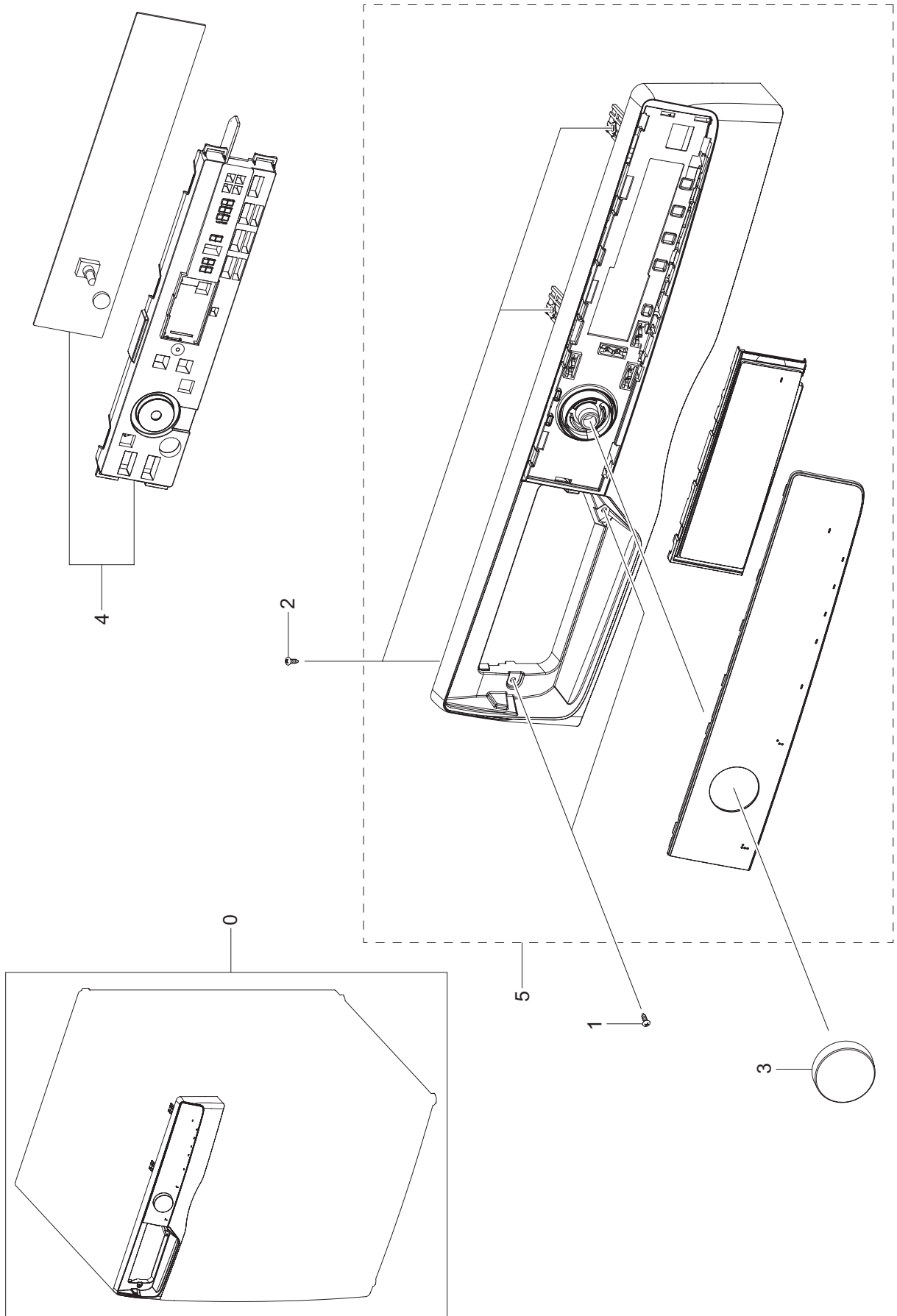
---

## MODEL CODE (WW8GT654ALH/S2)

Service Bom (**SA**: SERVICE AVAILABLE, **SNA**: SERVICE NOT AVAILABLE)

Drawing No	Code No.	Description	Specification	QTY	Un	SA/SNA
5-2-8-2	DC61-00891A	GUIDE HINGE	HAUZEN(DOM),POM,F20-03,white	1	PC	SA
5-2-8-3	DC61-04131A	HINGE DOOR	WW6/5500K,ALDC,T5	1	PC	SA
5-2-8-4	DC61-04134A	BRACKET HOLDER	WW6/5500K,GI-SGCC,T1.2	1	PC	SA
5-2-8-5	DC64-00828G	SWITCH DOOR	AC125/250V,1.5/0.75A,1BUTTON	1	PC	SA
5-2-8-6	DC93-00884A	ASSY WIRE HARNESS-SUB	DRUM-M,WW80T754DBT	1	PC	SA
5-3	DC97-22283F	ASSY FRAME FRONT-MODULE	WW7000T,DA WHITE	1	PC	SA
5-3-1	DA66-01072A	LATCH	LATOUR,POM,NATURAL,DC LATCH	1	PC	SA
5-3-2	DC61-01919B	BRACKET HINGE	WW6500K,GI-SGCC,T1.4,N/A	1	PC	SA

5. ASSY PANEL CONTROL PARTS (WW8GT654ALH/S2)



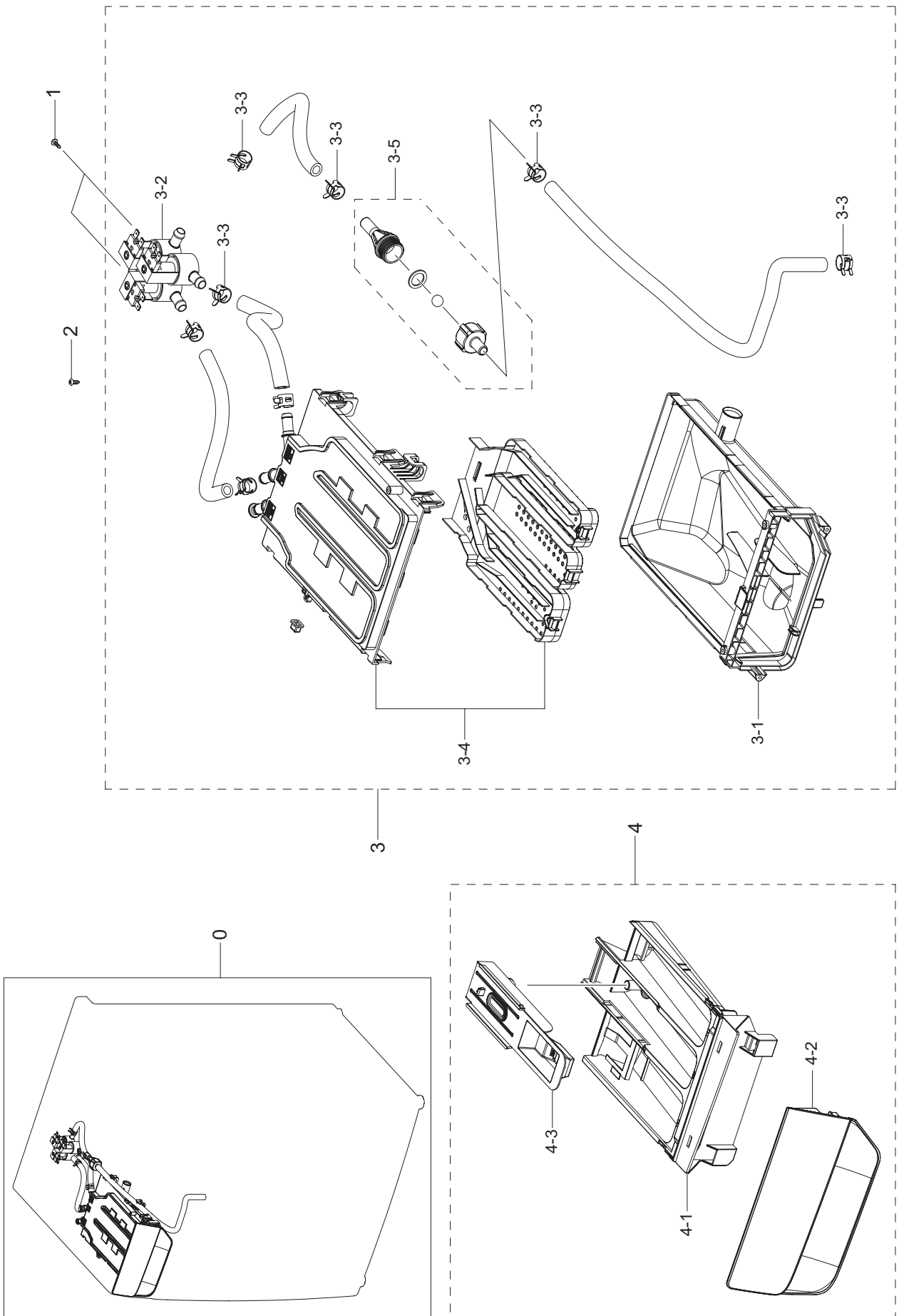
---

## MODEL CODE (WW8GT654ALH/S2)

Service Bom (**SA**: SERVICE AVAILABLE, **SNA**: SERVICE NOT AVAILABLE)

Drawing No	Code No.	Description	Specification	QTY	Un	SA/SNA
0	DC90-28660T	ASSY PANEL CONTROL PARTS	WW10T654DLH/S3	1	PC	SNA
1	6002-000445	SCREW-TAPPING	TH,+,NO,2,M4,L18,PASS,STS4	3	PC	SNA
2	6006-001174	SCREW-TAPPING	TH,+,WT,2S,M4,L12,ZPC(WHT)	1	PC	SNA
3	DC64-03921A	KNOB ENCODER	A1 SIMPLE,ABS,HB,NATURAL,CH	1	PC	SA
4	DC92-02642J	ASSY MODULE	FWM_Touch Display,WW6500T,8k	1	PC	SA
5	DC97-22155E	ASSY PANEL CONTROL-MODULE	Good Design,WD	1	PC	SA

## 6.ASSY DRAWER PARTS (WW8GT654ALH/S2)

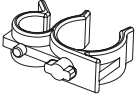

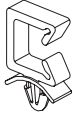
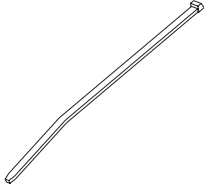
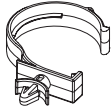


## MODEL CODE (WW8GT654ALH/S2)

Service Bom (**SA**: SERVICE AVAILABLE, **SNA**: SERVICE NOT AVAILABLE)

Drawing No.	Code No.	Description	Specification	QTY	Un	SA/SNA
0	DC90-28652B	ASSY DRAWER PARTS	WW7000T,WW10T754DBH/S3	1	PC	SNA
1	6003-000226	SCREW-TAPTYPE	TH,+,-,S,M4,L8,ZPC(WHT),SW	2	PC	SNA
2	6006-001174	SCREW-TAPPING	TH,+WT,2S,M4,L12,ZPC(WHT)	1	PC	SNA
3	DC97-22247C	ASSY HOUSING DRAWER-MODULE	WW7000T,HEBA	1	PC	SNA
3-1	DC61-02663A	HOUSING DRAWER-LOW	WW5000,PP+TD30%,T1.8,	1	PC	SA
3-2	DC62-00233J	VALVE WATER	DC12V,BRACKET,mm,#250,1,3,11	1	PC	SA
3-3	DC65-00008B	CLAMPER HOSE	SSEC-GE,SK5,Dacromet,T1.0	8	PC	SA
3-4	DC97-17347A	ASSY S.HOUSING DRAWER	F500E,WF80F5E5U4W	1	PC	SA
3-5	DC97-21031A	ASSY NOZZLE CONNECTOR	WD6800N	1	PC	SA
4	DC97-22250B	ASSY DRAWER-MODULE	U-PJT,WW6000T,DA WHITE	1	PC	SNA
4-1	DC61-03480A	BODY DRAWER	WF-F500E,PP+TD30%,DA WHITE,W	1	PC	SA
4-2	DC64-03970B	HANDLE DRAWER	U-PJT,ABS,T3,HG-0760GP,DA	1	PC	SA
4-3	DC67-00669A	CAP RINSE	WF-F500E,PP+TD30%,MT43,Honesty	1	PC	SA

## 8. SMALL PARTS

				
1	2	3	4	5

### MODEL CODE: WW8GT654ALH/S2

Service Bom (**SA**: SERVICE AVAILABLE, **SNA**: SERVICE NOT AVAILABLE)

NO.	Code No.	Description	Specification	InstPoint	QTY	Un	SA/ SNA
1	DC61-00133A	CLAMPER HOSE-FIX	P1291,PP,HOSE+PLUG,BJ-750	FRM+H- DRAIN+P-CODE	3	PC	SA
2	DC61-00118A	CLAMP-CABLE	"P1291,PA66,ID27,OD30,NATURAL,- -,NC0001"	ASSY FRAME PARTS	1	PC	SA
3	DC61-00553C	CABLE CLAMP	-,PA66,NTR	ASSY PANEL CONTROL	1	PC	SNA
4	DC65-10001A	CABLE TIE	"CT- 140,T1.1,W3.5,L145,NTR,NYLON66"	ASSY HOUSING DRAWER	1	PC	SNA
5	DC61-02879A	HOLDER WIRE	"WF8804CPA,PA,L58.6,NATURAL, 2110R"	FRAME+HOSE(O)	1	PC	SNA



## 8. PARTS LIST (SCREW TYPE)

### MODEL CODE (WW8GT654ALH/S2)

Service Bom (SA: SERVICE AVAILABLE, SNA: SERVICE NOT AVAILABLE)

Code No.	Description	Specification	QTY	Un	SA/SNA
6002-000445	SCREW-TAPPING	TH,+,NO,2,M4,L18,PASS,STS4	3	PC	SNA
6006-001174	SCREW-TAPPING	TH,+,WT,2S,M4,L12,ZPC(WHT)	1	PC	SNA
6003-000226	SCREW-TAPTYPE	TH,+,-,S,M4,L8,ZPC(WHT),SW	2	PC	SNA
6006-001174	SCREW-TAPPING	TH,+,WT,2S,M4,L12,ZPC(WHT)	1	PC	SNA
6002-001006	SCREW-TAPPING	TH,+,-,2S,M4,L12,PASS,STS4	3	PC	SNA
6002-000445	SCREW-TAPPING	TH,+,NO,2,M4,L18,PASS,STS4	3	PC	SNA
6003-001768	SCREW-TAPTYPE	TH,+,WT,S,M4,L10,ZPC(WHT),	1	PC	SNA
6006-001174	SCREW-TAPPING	TH,+,WT,2S,M4,L12,ZPC(WHT)	1	PC	SNA
6002-001554	SCREW-TAPPING	BH,+,No,1,M4,L12,STS430,HE	2	PC	SNA
6002-000213	SCREW-TAPPING	TH,+,1,M4,L12,ZPC(WHT),SWR	1	PC	SNA
6002-000213	SCREW-TAPPING	TH,+,1,M4,L12,ZPC(WHT),SWR	1	PC	SNA
6002-000445	SCREW-TAPPING	TH,+,NO,2,M4,L18,PASS,STS4	3	PC	SNA
6003-001768	SCREW-TAPTYPE	TH,+,WT,S,M4,L10,ZPC(WHT),	1	PC	SNA
6006-001174	SCREW-TAPPING	TH,+,WT,2S,M4,L12,ZPC(WHT)	1	PC	SNA
6009-001343	SCREW-SPECIAL	PH,TORX,M4,L12,ZPC(WHT),SW	2	PC	SNA
DC97-14006C	ASSY SCREW	GRIFFIN-PJT,WF9904RWE,SWRCH18	2	PC	SNA
DC97-15858A	ASSY SCREW	trumph-PJT,WF-F1061/YLP,SWRCH	2	PC	SNA
6002-001327	SCREW-TAPPING	PWH,+,1,M4,L12,ZPC(WHT),SW	7	PC	SNA
6003-000226	SCREW-TAPTYPE	TH,+,-,S,M4,L8,ZPC(WHT),SW	2	PC	SNA
6006-001174	SCREW-TAPPING	TH,+,WT,2S,M4,L12,ZPC(WHT)	1	PC	SNA
6002-001436	SCREW-TAPPING	PH,+,2,M4,L18,ZPC(WHT),SWR	6	PC	SNA
6002-001438	SCREW-TAPPING	HWH,+,NO,1,M5,L12,ZPC(WHT)	2	PC	SNA
6002-000213	SCREW-TAPPING	TH,+,1,M4,L12,ZPC(WHT),SWR	1	PC	SNA
6001-000115	SCREW-MACHINE	BH,+,M3,L10,ZPC(WHT),SWRCH	1	PC	SNA
6001-000115	SCREW-MACHINE	BH,+,M3,L10,ZPC(WHT),SWRCH	1	PC	SNA
6001-000115	SCREW-MACHINE	BH,+,M3,L10,ZPC(WHT),SWRCH	1	PC	SNA
6002-001554	SCREW-TAPPING	BH,+,No,1,M4,L12,STS430,HE	2	PC	SNA
6006-001174	SCREW-TAPPING	TH,+,WT,2S,M4,L12,ZPC(WHT)	1	PC	SNA
6009-001522	SCREW-HEX	HWH,+,M5,L16,PASS,STS430,FP,SE	2	PC	SA
6002-000213	SCREW-TAPPING	TH,+,1,M4,L12,ZPC(WHT),SWR	1	PC	SNA
6002-000444	SCREW-TAPPING	TH,+,2,M4,L14,PASS,STS430	4	PC	SNA
6002-001279	SCREW-TAPPING	PWH,+,1,M4,L12,PASS,STS430	2	PC	SNA

---

## MODEL CODE (WW8GT654ALH/S2)

Service Bom (**SA**: SERVICE AVAILABLE, **SNA**: SERVICE NOT AVAILABLE)

Code No.	Description	Specification	QTY	Un	SA/SNA
6002-001286	SCREW-TAPPING	FH,+,-,1,M4,L16,PASS,STS43	4	PC	SNA
6002-000630	SCREW-TAPPING	PH,+2S,M3,L8,ZPC(WHT),SWR	7	PC	SNA
6002-000213	SCREW-TAPPING	TH,+1,M4,L12,ZPC(WHT),SWR	1	PC	SNA
6002-000213	SCREW-TAPPING	TH,+1,M4,L12,ZPC(WHT),SWR	1	PC	SNA
6002-000444	SCREW-TAPPING	TH,+2,M4,L14,PASS,STS430	4	PC	SNA
6009-001522	SCREW-HEX	HWH,+M5,L16,PASS,STS430,FP,SE	2	PC	SA
6002-000445	SCREW-TAPPING	TH,+NO,2,M4,L18,PASS,STS4	3	PC	SNA
6002-000470	SCREW-TAPPING	TH,+NO,1,M4,L10,ZPC(WHT),	2	PC	SNA
DE60-10080A	SCREW-TAPPING	PWH,+2S,M5,L9,ZPC(WHT),SW	2	PC	SNA