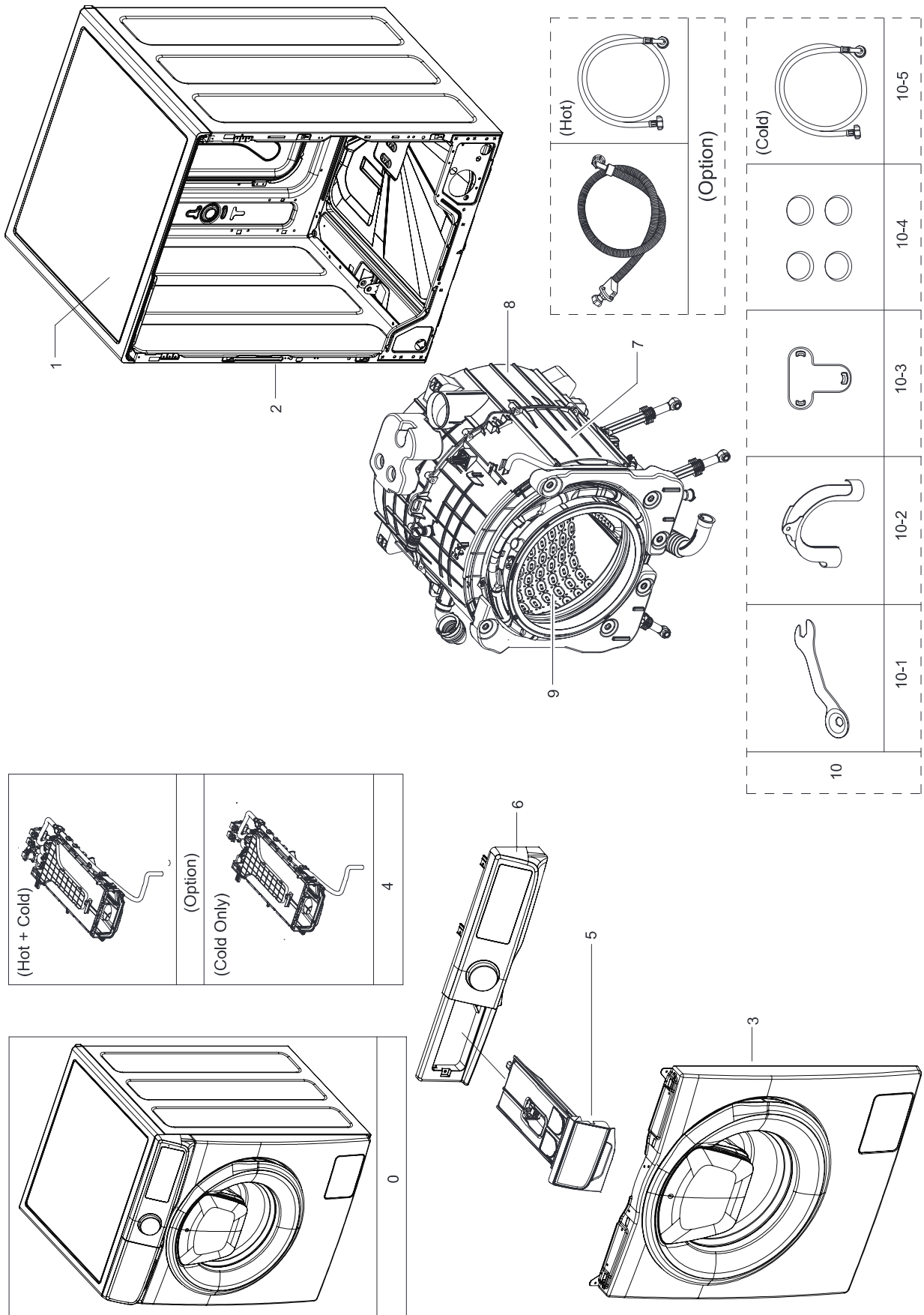


# 1. MAIN (WW8GM74NN2A/EG)

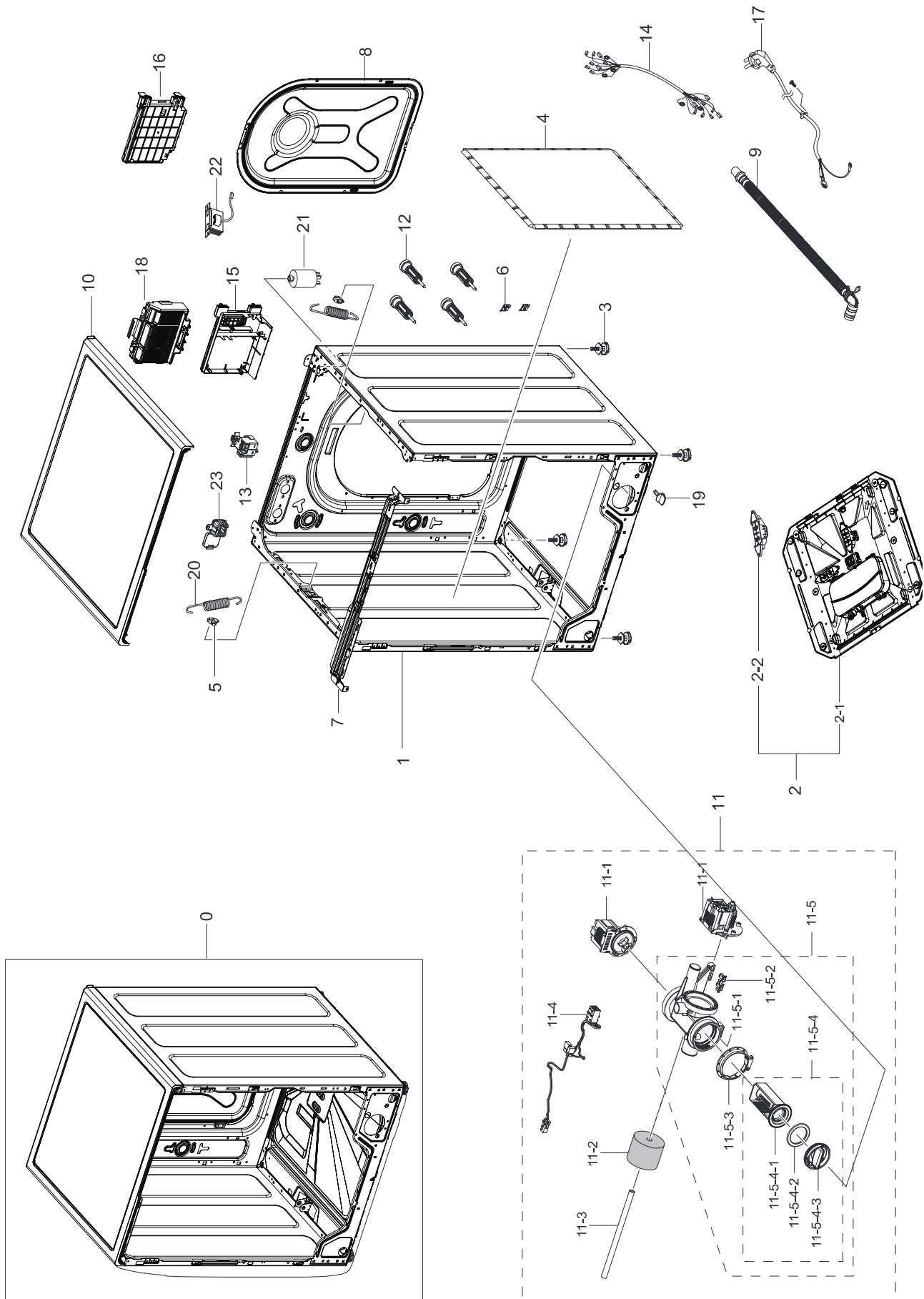


## MODEL CODE (WW8GM74NN2A/EG )

Service Bom (SA: SERVICE AVAILABLE, SNA: SERVICE NOT AVAILABLE)

Drawing No.	Code No.	Description	Specification	QTY	Un	SA/SNA
0	-	WW8GM74NN2A/EG	-	1	PC	SNA
1	DC97-21151C	ASSY COVER TOP	WW6500K(HEBA58),WW8GK6400	1	PC	SA
2	DC97-21833A	ASSY PAINT FRAME	WW7800M GCO,WW8GM74NN2A	1	PC	SA
3	-	FRAME FRONT & DOOR	-	1	-	-
4	DC97-20819C	ASSY HOUSING DRAWER	WW7800M,WW90M74GN2A/	1	PC	SNA
5	DC97-21600K	ASSY DRAWER	WW7800M(AOW),WW90M76NN2A/ EG	1	PC	SNA
6	-	ASSY PANEL CONTROL & KNOB ENCODER	-	1	-	-
7	DC97-20565C	ASSY SEMI TUB FRONT	WW7800M ADS,ADS MODE	1	PC	SA
8	DC97-20522A	ASSY SEMI TUB BACK	WW6800M	1	PC	SA
9	DC97-20511F	ASSY DRUM	WW7800M,6HOLE	1	PC	SA
10	DC98-04135A	ASSY ACCESSORY	WW7800M,WW9XM76NN2R/EG,AS	1	PC	SNA
10-1	DC60-00104A	FASTENER-BOLT	ALL,CR-SPCC,2.0,L113.5	1	PC	SA
10-2	DC62-10278A	HOSE HANGER	PUMP MODEL,PP,ID27,T1.5,HS95	1	PC	SA
10-3	DC67-00208B	CAP-FIXER	WF8602NHS/XFA,PP,T1.5,P535-H,B	1	PC	SA
10-4	DC67-00307A	CAP-FIXER	WF438AAC/XAA,PP,T1.5,RECYCLE,B	4	PC	SA
10-5	DC62-00079A	ASSY HOSE WATER	P1405J,AQUA-STOP,L1500,G	1	PC	SC

## 2. ASSY FRAME & COVER PARTS (WW8GM74NN2A/EG )



## MODEL CODE (WW8GM74NN2A/EG )

Service Bom (SA: SERVICE AVAILABLE, SNA: SERVICE NOT AVAILABLE)

Drawing No.	Code No.	Description	Specification	QTY	Un	SA/SNA
0	-	FRAME & COVER PARTS	WW8800M	1	PC	SNA
1	DC97-19169U	ASSY FRAME	WW7800M,DA WHITE	1	PC	SNA
2	DC97-21482B	ASSY COVER BOTTOM	WW7800M,WW8GM74NN2A/EG	1	PC	SNA
2-1	DC63-02358A	COVER-BOTTOM	WW6800N,PP,T2.5,TITAN GRAY,	1	PC	SNA
2-2	DC96-01610B	ASSY SENSOR POLE	12V	1	PC	SA
3	DC97-00920H	ASSY LEG	-,ALL EXCEPT AUSTRALI MODEL,L33	4	PC	SA
4	DC63-01313A	ABSORBER SOUND	SCOUT2-PJT,PP,WHITE,SOUND	1	PC	SNA
5	DC61-02065A	GUIDE SPRING	WF448AAG/XXA,POM,T4,W24,L36	2	PC	SA
6	DC61-01901A	GUIDE FRAME FRONT	ALL MODEL,POM,T5.5,K30	2	PC	SNA
7	DC97-18808A	ASSY FRAME PLATE-UP	WW6000J,WW90J5260GS	1	PC	SA
8	DC63-00862C	COVER BACK	WF8600NMW,GI-SGCC,T0.35,W352,	1	PC	SA
9	DC97-20913B	ASSY HOSE DRAIN(O)	Heba,1870,ID20.5	1	PC	SA
10	DC97-21151C	ASSY COVER TOP	WW6500K(HEBA58),WW8GK6400	1	PC	SA
11	DC97-15696P	ASSY PUMP DRAIN	GCO11,WW8GM642O2W/EG,BUB	1	PC	SNA
11-1	DC31-00181A	MOTOR AC PUMP	Drum&Auto,B15-6A/S3019/S30	2	PC	SA
11-2	DC63-10003A	SPONGE-HOSE AIR	T20,BLK	1	PC	SNA
11-3	DC67-00244C	HOSE DRAIN	WF0804Y8E,EPDM,ID6,OD11,T2.5,	1	PC	SA
11-4	DC96-01567C	ASSY WIRE HARNESS	AEGIS 3- PJT,WF0702WKN	1	PC	SA
11-5	DC97-19914A	ASSY CASE FILTER	BUBBLE	1	PC	SA
11-5-1	DC61-02271B	CASE PUMP	WF0804Y8E/XEF,PP,T2.5,W153.6,L	1	PC	SA
11-5-2	DC63-00905A	CUSHION PUMP	WF8802DPF/XET,NBR,-,W37.6,L	1	PC	SNA
11-5-3	DC69-01128A	PACKING-PUMP	WF8804DP,IIR,BUTYL,T2.5,HEB	1	PC	SA
11-5-4	DC97-15695C	ASSY FILTER	Heba,WF9904CWN1	1	PC	SA
11-5-4-1	DC63-00998A	FILTER PUMP	SCOUT-PJT,PP,-,NEAT WHITE,BU	1	PC	SA
11-5-4-2	DC73-00022A	SEAL PACKING	SEW-HVR149ATA,EPDM,BLK,-	1	PC	SA
11-5-4-3	DC64-02783A	HANDLE FILTER	WF350ANW/XAA,PP,T2.3,W63.8	1	PC	SA
12	DC97-14653C	ASSY FIXER TUB	SCOUT,WF0804Y8E/XEF	4	PC	SA
13	DC96-01703G	SENSOR PRESSURE	Air,5V,L0,400mmH2O	1	PC	SA
14	DC93-00728L	ASSY WIRE HARNESS-MAIN	DRUM-M,WW90M76INO	1	PC	SA
15	DC92-02140M	ASSY PCB MAIN	FWM_INV,WW7800M,160*121,Y,	1	PC	SA
16	DC92-02139A	ASSY KIT	FWM_INV,MK_PJT,Washer,220V,Stan	1	PC	SA
17	DC96-00146A	POWER CORD-AT	H05VV-F 3x1.5mm2,GRY,EU3F,	1	PC	SA

---

## MODEL CODE (WW8GM74NN2A/EG )

Service Bom (**SA**: SERVICE AVAILABLE, **SNA**: SERVICE NOT AVAILABLE)

Drawing No.	Code No.	Description	Specification	QTY	Un	SA/SNA
18	DC63-02152A	COVER PCB	MK,ABS,T2.5,5VA,NATURAL,VE-085	1	PC	SNA
19	DC61-10673C	CAP DRAIN	WF1802XEY/XSC,PP,NATURAL	1	PC	SA
20	DC61-02029D	SPRING HANGER	WW6800M,HSWR,3.5mm,OD26,L1	2	PC	SA
21	DC29-00015G	FILTER EMI	LFT-215G,300Khz,VDE, KS,6.5mH	1	PC	SA
22	DC26-00009P	COIL HARMONIC	8.5mH,±15%,EI 48mm S-30NA,	1	PC	SA



## MODEL CODE (WW8GM74NN2A/EG)

Service Bom (SA: SERVICE AVAILABLE, SNA: SERVICE NOT AVAILABLE)

Drawing No.	Code No.	Description	Specification	QTY	Un	SA/SNA
1	6602-003993	BELT-TIMING GEAR	5J,RUBBER,T3.2,W11.7,L1	1	PC	SNA
2	6602-003999	BELT-TIMING GEAR	5J,RUBBER,T3.2,W11.7,L1	1	PC	SNA
3	DC32-00010C	THERMISTOR	WASHER,-10~100,5,3,243k ± 2	1	PC	SA
4	DC47-00033A	HEATER-WASH	AC230V,Double Fuse (167L, Cu	1	PC	SC
5	DC66-00531C	DAMPER SHOCK	HEBA,PP,WHITE,80±20N,LONG	2	PC	SA
6	DC67-00993B	WEIGHT BALANCER-UP	WW6800M,CONCRETE,NATU	1	PC	SA
7	DC67-00979A	WEIGHT BALANCER-LEFT	WW7800M,CONCRETE,T1	1	PC	SA
8	DC67-00978A	WEIGHT BALANCER-RIGHT	WW7800M,CONCRETE,T	1	PC	SA
9	DC97-14263A	ASSY BOLT	MOTOR/BOLT(M8)+WASHER(OD27.5),	6	PC	SA
10	6021-001588	NUT-HEXAGON	1C,M10x1.5,ZPC(WHT),SM20C,NY	1	PC	SA
11	6044-001781	RING-OG	ID33,OD36.4,T1.8,BLK,NBR	1	PC	SA
12	DC60-00128A	NUT SPIN	DUAL DRIVE,ZNDC,11mm,M28*1.5	1	PC	SNA
13	DC60-00132A	WASHER-SPRING	STS304,T0.5,ID35.2,OD39.2,	1	PC	SA
14	DC60-60011B	WASHER WAVE	STS301,ID28.7,OD42,T0.8,ACP	1	PC	SA
15	DC66-00936A	PULLEY MOTOR	DUAL DRIVE,ALDC,NATURAL,OD2	1	PC	SNA
16	DC66-00937A	PULLEY MOTOR	DUAL DRIVE,ALDC,NATURAL,OD2	1	PC	SNA
17	DC97-20511F	ASSY DRUM	WW7800M,6HOLE	1	PC	SA
17-1	DC60-40137A	BOLT HEX	MARS-PJT,STS430,M8,P1.25,L30,HE	6	PC	SA
17-2	DC66-00938A	DRUM LIFTER	DD-PJT,PP,DARK HOLDER GRAY	3	PC	SNA
17-3	DC66-00943B	DRUM BACK	WW8800M,STS430,T0.5	1	PC	SNA
17-4	DC66-00949C	DRUM WRAPPER	WW6500N,STS430,T0.6	1	PC	SNA
17-5	DC66-00829A	DRUM FRONT	WW8000HE,STS430,OD503,T0.5	1	PC	SA
17-6	DC97-20418B	ASSY FLANGE SHAFT	WW8800M	1	PC	SA
17-6-1	DC66-00939A	SHAFT WASHING	DUAL DRIVE,STS410,OD15.0,N	1	PC	SNA
17-6-2	DC97-20419B	ASSY FLANGE SHAFT-SEMI	WW8800M	1	PC	SNA
17-7	DC60-00135A	BOLT PULSATOR	Q-DRIVE,STS430,L28,WASHER	1	PC	SA
18	DC97-20522A	ASSY SEMI TUB BACK	WW6800M	1	PC	SA
18-1	DC61-04515A	TUB BACK	WW7/6800M,FRPP,NATURAL	1	PC	SNA
18-2	DC96-01327D	ASSY WIRE HARNESS-EARTH	DRUM-M,WF1124ZAQ	1	PC	SA
18-3	DC97-20428A	ASSY HOUSING BEARING	WW7/6800M,1400RPM	1	PC	SNA
18-4	DC61-01088A	BUSH MOTOR	Q1636,PA,NTR,PA66,ID16.2,OD20	4	PC	SNA
18-5	DC61-02664B	BRACKET HEATER	HEBA,STS430,T0.5	1	PC	SA
18-6	DC69-00824A	PACKING-THERMISTOR	GW-PJT,EPDM,-,-,W17,H	1	PC	SNA

## MODEL CODE (WW8GM74NN2A/EG)

Service Bom (SA: SERVICE AVAILABLE, SNA: SERVICE NOT AVAILABLE)

Drawing No.	Code No.	Description	Specification	QTY	Un	SA/SNA
18-7	DC69-01769A	PACKING-TUB	ARNO,EPDM,EPDM,T5.5,L1720,BL	1	PC	SA
18-8	6601-000148	BEARING BALL	6206ZZ,ID30,OD62,L16,STB2	1	PC	SA
18-9	6601-002637	BEARING BALL	6207ZZ,ID35,OD72,GCr15	1	PC	SA
18-10	DC62-00156A	SEAL OIL	TS85-PJT,NBR,BLK	1	PC	SA
19	DC97-20565C	ASSY SEMI TUB FRONT	WW7800M ADS,ADS MODE	1	PC	SA
19-1	DC61-04512C	TUB FRONT	WW7800M 1400RPM&ADS SENSOR,FRP	1	PC	SNA
19-2	DC97-20567A	ASSY DIAPHRAGM	MK-PJT WW7800M,NOZZLE+LED	1	PC	SNA
19-2-1	DC62-00349A	NOZZLE DIAPHRAGM	WF457ARGSGR,PP,OD11,GRA	1	PC	SA
19-2-2	DC64-03685A	DOOR DIAPHRAGM	WW7800M,EPDM,T1.5,LIGHT G	1	PC	SA
19-2-3	DC47-00027F	ASSY LAMP LED	1ea,FR-4,197*117,WHITE,AMP	1	PC	SA
19-3	DC61-02646A	GUIDE HOSE	WF0804Y8E,PP,T2,W9.8,L36.6,RM	2	PC	SNA
19-4	DC65-60118H	CLIP RING	HSWR-SWRH,SEW-740DR,PI15	2	PC	SNA
19-5	DC67-00606A	HOSE AIR	AEGIS 2A COMBO BUBBLE-PJT,EPDM,	1	PC	SA
19-6	DC72-00001G	CLIP RING	HEBA-PJT,HSWR,T3.0,ID49.5,W18,	1	PC	SNA
19-7	DC67-00674A	HOSE DRAWER TUB	SEINE COMBO,EPDM,ID34.9,	1	PC	SA
19-8	DC65-60118R	CLIP RING	AEGIS-PJT,HSWR-SWRH,T3.0,ID37	1	PC	SA
19-9	DC65-60125B	CLIP RING	-,HSWR,-,-,-,-,-,-,-,-,-,-	1	PC	SNA
19-10	DC65-60118J	CLIP RING	HSWR,PI2.0/ID23	1	PC	SNA
19-11	DC67-00354A	HOSE AIR	HEBA PJT,EPDM,BLACK,18.3g	1	PC	SA
19-12	DC97-14637R	ASSY HOSE PRESSURE	600mmH20,No PBA,Hook	1	PC	SNA
19-12-1	DC63-10003H	ABSORBER SPONGE	PU FOAM,H35,BLACK	1	PC	SNA
19-12-2	DC61-70029C	CLIP RING	SEW-HW125,HSWR,WHITE	2	PC	SNA
19-12-3	DC67-00230B	HOSE WATER	WF8800,TPE,ID4.5,T1.75,L679,B	1	PC	SC
19-12-4	DC67-00297A	HOSE JOINT AIR	HEBA&Aegis-PJT,PP,L167.3,	1	PC	SNA
19-12-5	DC65-00021A	CLAMPER HOSE-JOINT	HEBA PJT,HSWR	1	PC	SNA
19-12-6	DC61-00219B	CLAMPER HOSE	SK5,WLSL1100A,ID24 OD26.4	1	PC	SNA
19-12-7	DC67-00335A	HOSE FILTER TUB	AEGIS-PJT,EPDM,ID64.5	1	PC	SA
19-12-8	DC72-00001H	CLIP RING	HEBA-PJT,HSWR,WHITE	1	PC	SNA
19-13	DC97-17515B	ASSY HOSE AIR	MK-PJT,6800M/7800M,BUBBLE	1	PC	SA
19-13-1	DC61-00158A	CLAMPER HOSE	SW65ASP,SK5,ID23,T0.8,-	2	PC	SA
19-13-2	DC67-00526A	HOSE AIR TUB	AEGIS3-PJT,EPDM,T2.8,BLK	1	PC	SA
19-14	DC97-14618G	ASSY CLAMP DIAPHRAGM	H900E	1	PC	SNA
19-15	DC32-00018A	SENSOR PHOTO	RCM-A301,5V	1	PC	SA



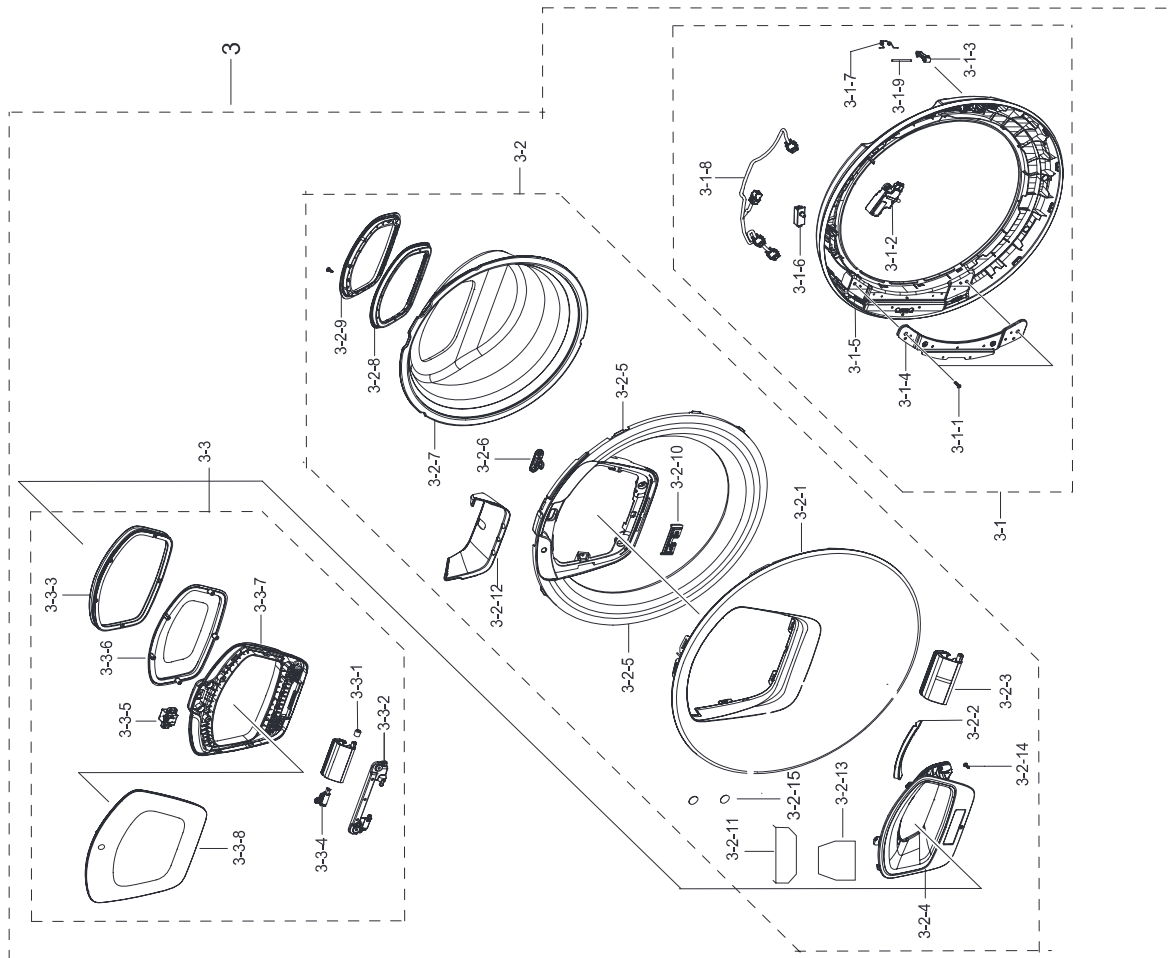
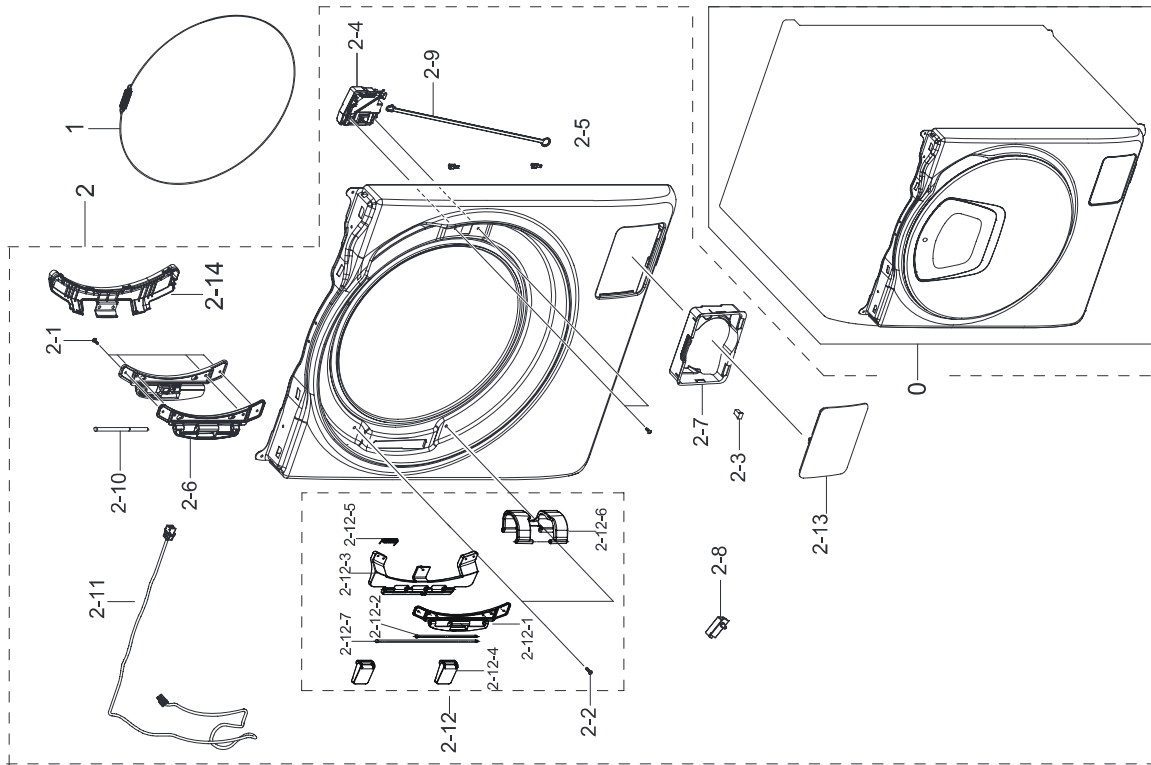
---

## MODEL CODE (WW8GM74NN2A/EG)

Service Bom (SA: SERVICE AVAILABLE, SNA: SERVICE NOT AVAILABLE)

Drawing No.	Code No.	Description	Specification	QTY	Un	SA/SNA
20	6011-003934	BOLT-HEX	M7.6,L48,ZPC(WHT),SCM 435,WASHE	9	PC	SA
21	DC60-40144A	BOLT HEX	SM10C,L35,ZPC2(YEL),M10,ZPC2(YE	2	PC	SA
22	DC93-00586D	ASSY MOTOR BLDC	WW7800M,WDM350FGA,F,DC31	2	PC	SA
23	6031-002861	WASHER-SPRING	SK5,ID11.2,OD22.5,T1.25,DU	2	PC	SA
24	6009-001367	BOLT-HEX	M6.5,L32,ZPC(WHT),SWRCH18A,HWH	15	PC	SNA
25	DC97-20943A	ASSY PULSATOR CAP	WW8800M.WD8800N	1	PC	SA
26	DC97-20490A	ASSY PULSATOR	WW6800N,1400RPM	1	PC	SA

# 4. ASSY FRAME PARTS (WW8GM74NN2A/EG )



## MODEL CODE (WW8GM74NN2A/EG)

Service Bom (SA: SERVICE AVAILABLE, SNA: SERVICE NOT AVAILABLE)

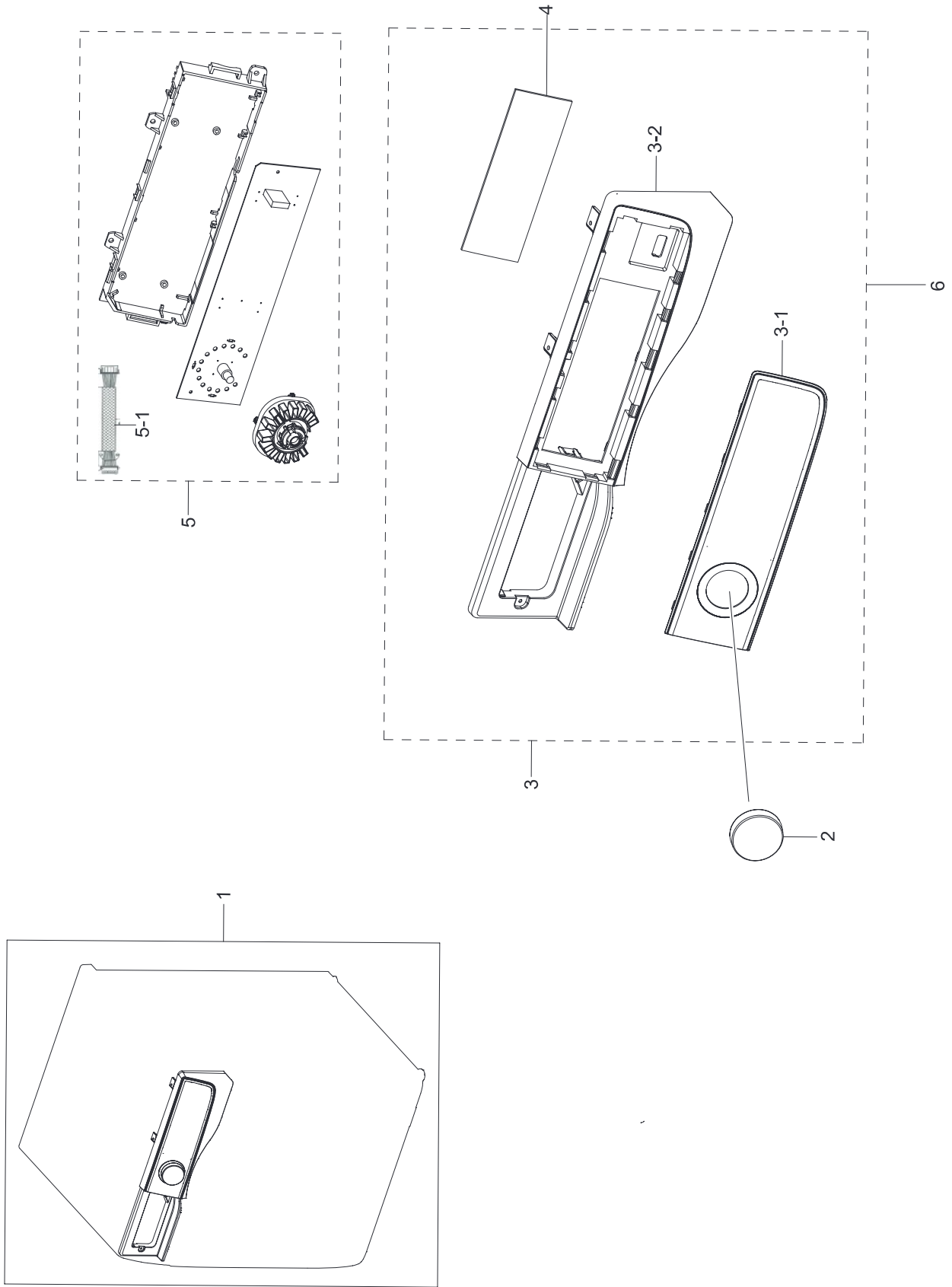
Drawing No	Code No.	Description	Specification	QTY	Un	SA/SNA
0	-	ASSY FRONT PARTS	WW7800M	1	PC	SNA
1	DC91-12078H	ASSY WIRE DIAPHRAGM	H900E	1	PC	SA
2	DC97-19383C	ASSY FRAME FRONT	WW7800M,T0.8,DA WHITE	1	PC	SA
2-1	6002-000445	SCREW-TAPPING	TH,+,NO,2,M4,L18,PASS,STS4	3	PC	SNA
2-2	6009-001522	SCREW-HEX	HWH,+,M5,L16,PASS,STS430,FP,SE	2	PC	SA
2-3	DA66-01072A	LATCH	LATOUR,POM,NATURAL,DC LATCH	1	PC	SA
2-4	DC34-00026A	SWITCH DOOR LOCK	AC250V,16A,SOLENOID, DO	1	PC	SA
2-5	DC61-03839F	FRAME FRONT	WW7800M,EGI-SECC,DA WHITE,T0	1	PC	SNA
2-6	DC61-04135A	BRACKET DOOR	WW8/7500K,ALDC,T3,228X76X18	1	PC	SA
2-7	DC61-04208B	GUIDE FILTER	WW7800M,HIPS,T2.5,HB,S834S1	1	PC	SNA
2-8	DC64-00828G	SWITCH DOOR	AC125-250V,1.5/0.75,1BUTTON,	1	PC	SA
2-9	DC66-00850A	LEVER ACTUATOR	PP,T1.5,RM60C	1	PC	SNA
2-10	DC66-00891A	SHAFT HINGE	WW8500K,STS304,L115.5,OD6.0,	1	PC	SNA
2-11	DC93-00654A	ASSY WIRE HARNESS-SUB	DRUM-M,WW90K7415OW	1	PC	SA
2-12	DC97-18046B	ASSY HINGE	WW7500K	1	PC	SA
2-12-1	DC61-04135A	BRACKET DOOR	WW8/7500K,ALDC,T3,228X76X18	1	PC	SA
2-12-2	DC66-00891A	SHAFT HINGE	WW8500K,STS304,L115.5,OD6.0,	1	PC	SNA
2-12-3	DC61-04132A	SUPPORT HINGE	WW8/7500K,ALDC,T4,ALDC12	1	PC	SNA
2-12-4	DC61-03848A	SUPPORT HINGE-LEFT	WW7800M,ALDC,T3,ALDC1	2	PC	SNA
2-12-5	DC61-03875A	SPRING HINGE	STAINLESS-STS304,OD1.7	1	PC	SNA
2-12-6	DC66-00889A	LEVER LINK	WW8/7500K,ALDC,T5,ALDC12,Ni c	1	PC	SNA
2-12-7	DC66-00843A	SHAFT HINGE	H800E,SWRCH10A,L243,OD6.0	1	PC	SNA
2-13	DC97-20780A	ASSY COVER FILTER	WW7800M,DA WHITE	1	PC	SA
2-14	DC63-01936A	COVER HOLDER	PP,VERSAILLES GRAY,GY0039,F	1	PC	SA
3	DC97-19306B	ASSY DOOR	WW7800M,WW90M74FNOA/EF	1	PC	SA
3-1	DC97-19304A	ASSY HOLDER GLASS	WW7500K,WW90K7405OW/EG	1	PC	SA
3-1-1	6002-000213	SCREW-TAPPING	TH,+,1,M4,L12,ZPC(WHT),SWR	2	PC	SNA
3-1-2	DC34-00025D	SWITCH DOOR LOCK	DC12V,0.35	1	PC	SA
3-1-3	DC66-00497C	LEVER-DOOR	WW6000J,ZNDC,T5,NI COATING	1	PC	SA
3-1-4	DC61-03832A	BRACKET HOLDER	H800E,GI-SGCC,T1.4,-	1	PC	SA
3-1-5	DC61-04137B	HOLDER GLASS	WW7500K,PP,VERSAILLES GRAY,	1	PC	SNA
3-1-6	DC64-00828G	SWITCH DOOR	AC125-250V,1.5/0.75,1BUTTON,	1	PC	SA
3-1-7	DC61-02027A	SPRING ETC LEVER	STS304,CD1.2,L10.6	1	PC	SA

## MODEL CODE (WW8GM74NN2A/EG)

Service Bom (SA: SERVICE AVAILABLE, SNA: SERVICE NOT AVAILABLE)

Drawing No	Code No.	Description	Specification	QTY	Un	SA/SNA
3-1-8	DC93-00622A	ASSY WIRE HARNESS-SUB	DRUM-M,SUB ADD WAS	1	PC	SA
3-1-9	DC64-00564A	HANDLE PIN	WF602U2BKWQ/SC,STS304,NATURE	1	PC	SA
3-2	DC97-19307A	ASSY COVER DOOR	WW7500K,WW90K7405OW/EG	1	PC	SA
3-2-1	DC63-01939B	COVER DOOR	WW8/7500K,ABS,GENTLE BLUE,TOC	1	PC	SA
3-2-2	DC62-00477B	CAP	WW6/5/4600K,PP,FC2305,VERSAILLES GRA	1	PC	SA
3-2-3	DC61-04133A	HINGE DOOR	ALDC,Cr plating,WW8/7/6/5500K	1	PC	SA
3-2-4	DC63-01945B	COVER-ADD IN	WW8/7/6/5500K,PP,VERSAILLES	1	PC	SA
3-2-5	DC63-01947B	COVER-GLASS	WW7500K,ABS,HB,VERSAILLES GR	1	PC	SA
3-2-6	DC66-00890A	LEVER-TIP	WW5500K,ZNDC,Ni Coating	1	PC	SA
3-2-7	DC64-03389A	DOOR-GLASS	GLASS,T5,392*140.5	1	PC	SNA
3-2-8	DC62-00475A	SEAL RUBBER	ADD WASH,Si,GY0039	1	PC	SA
3-2-9	DC62-00473A	SEAL CAP GUIDE	WW8/7/6/5500K,PP,VERSAILL	1	PC	SNA
3-2-10	DC61-04078A	SUPPORT HINGE	WD9500J,GI-SGCC,T1.4	1	PC	SNA
3-2-11	DC62-00466A	SEAL WASHER	EPDM,BLACK,EPDM FOAM,L90*W40	1	PC	SA
3-2-12	DC63-01943A	COVER HOLDER	24" ADD WASH,ABS,HB,VERSAIL	1	PC	SA
3-2-13	DC63-01071G	SHEET DAMPING	6500K/5500K,IIR,T5,L75,W45	1	PC	SNA
3-2-14	6009-001522	SCREW-HEX	HWH,+,M5,L16,PASS,STS430,FP,SE	2	PC	SA
3-2-15	DC64-03303A	INLAY-DOOR	WD9500J,PET,T0.3,VERSAILLES G	2	PC	SA
3-3	DC97-19300A	ASSY HOLDER GLASS	WW7500K,WW90K7405OW/EG	1	PC	SA
3-3-1	DC61-00891A	GUIDE HINGE	HAUZEN(DOM),POM,B,white,HING	1	PC	SA
3-3-2	DC61-04078A	SUPPORT HINGE	WD9500J,GI-SGCC,T1.4	1	PC	SNA
3-3-3	DC62-00474A	SEAL DOOR	Si,GY0039	1	PC	SA
3-3-4	DC66-00878A	DAMPER SHOCK-AXIS	WD9500JK,POM,NATURAL	1	PC	SA
3-3-5	DC97-19401A	ASSY LATCH	WW8500K	1	PC	SA
3-3-6	DC61-04140B	GUIDE COVER	WW8500K,PP,HB,R764GC,GENTLE	1	PC	SNA
3-3-7	DC61-04139A	HOLDER GLASS	WW8/7/6/5500K,PP,T3,VERSAIL	1	PC	SNA
3-3-8	DC63-01942A	COVER DOOR	WW8500K,ABS,BL0121 / BL0150,M	1	PC	SA

5. ASSY PANEL CONTROL PARTS (WW8GM74NN2A/EG )

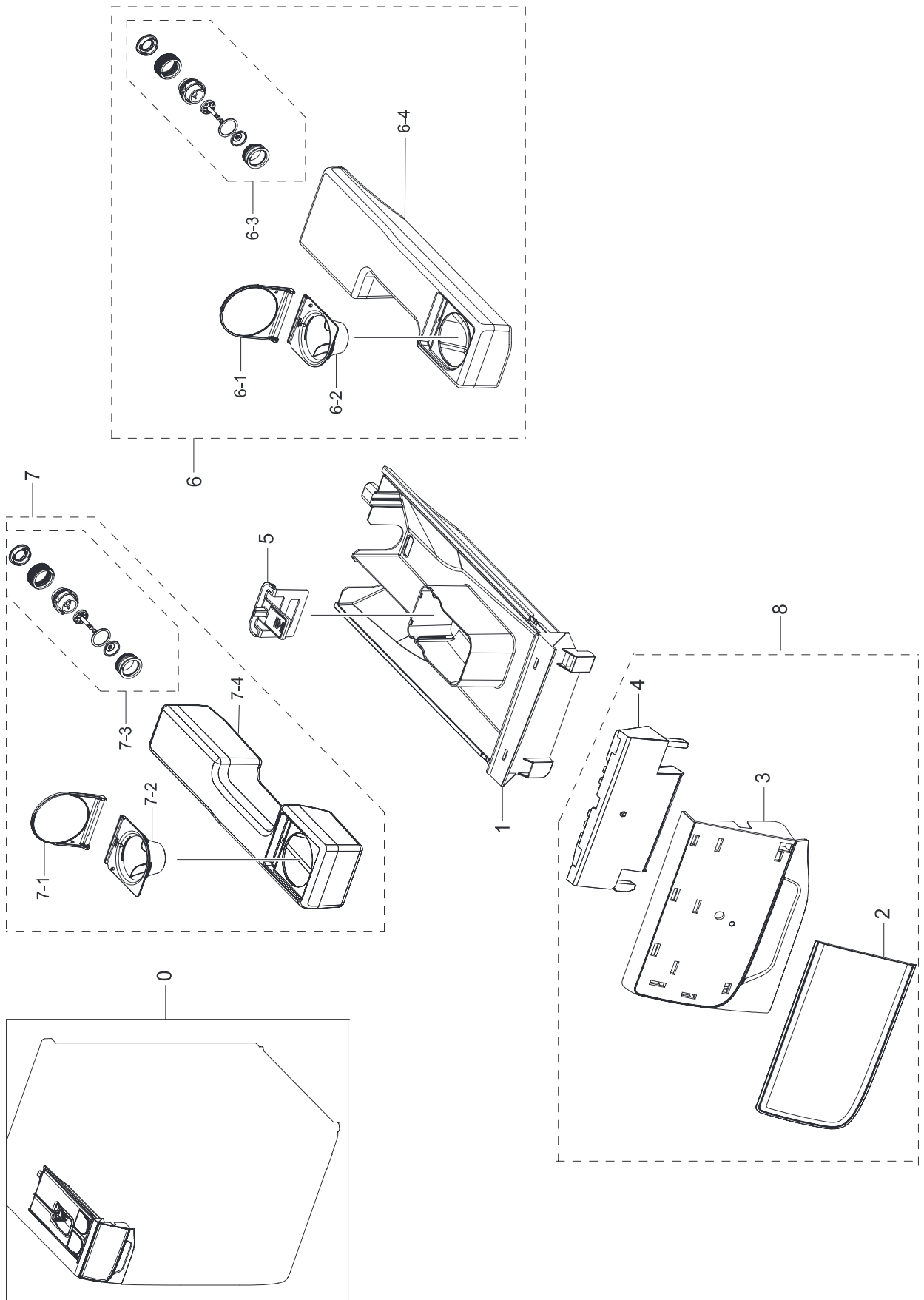


## MODEL CODE (WW8GM74NN2A/EG)

Service Bom (SA: SERVICE AVAILABLE, SNA: SERVICE NOT AVAILABLE)

Drawing No	Code No.	Description	Specification	QTY	Un	SA/SNA
1	-	ASSY PANEL CONTROL PARTS	WW6800M	1	PC	SNA
2	DC64-03648A	KNOB ENCODER	WW8800M,ABS,NATURAL,MP-0160	1	PC	SA
3	DC97-21674U	ASSY PANEL CONTROL	WW7800M,WW8GM74NN2A/E	1	PC	SNA
3-1	DC64-03867T	WINDOW PANEL	WW8GM74NN2A/EG,MABS,TX-0510	1	PC	SNA
3-2	DC64-03673A	PANEL CONTROL	WW7800N,ABS,HG-0760GP,DA W	1	PC	SNA
4	DC92-02211A	ASSY MODULE	FWM_Touch Sensor,WW88/7800M	1	PC	SA
5	DC92-02201P	ASSY PCB DISPLAY	FWM_INV,WW7800N,292*80,	1	PC	SA
5-1	DC96-01574B	ASSY WIRE HARNESS	DRUM-M,WF210ANW,8PIN,L	1	PC	SA
6	DC97-21293V	ASSY S.PANEL CONTROL	WW7800M,WW8GM74NN2A	1	PC	SA

6-1. ASSY DRAWER PARTS(ASSY DRAWER) (WW8GM74NN2A/EG )



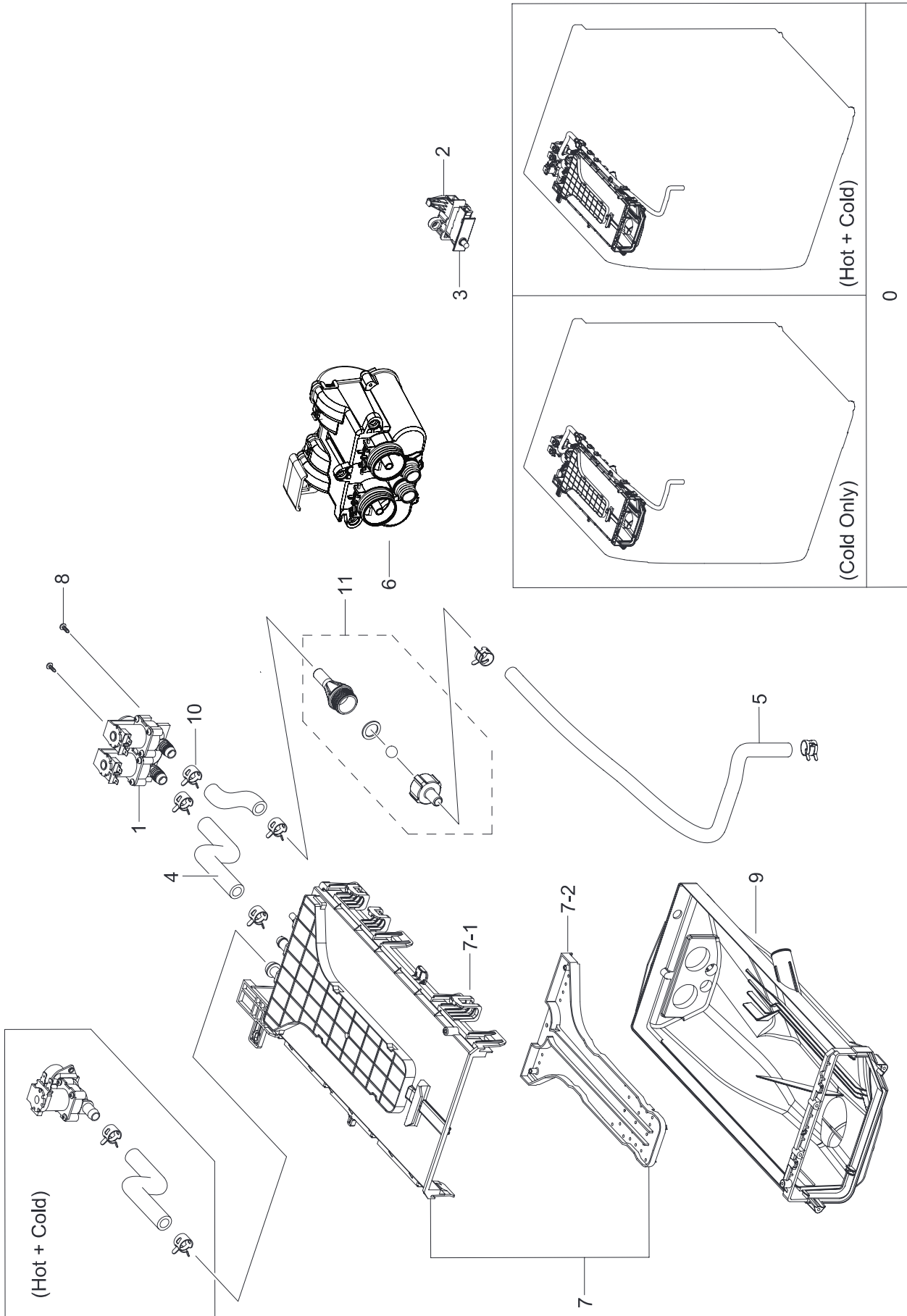
## MODEL CODE (WW8GM74NN2A/EG)

Service Bom (SA: SERVICE AVAILABLE, SNA: SERVICE NOT AVAILABLE)

Drawing No	Code No.	Description	Specification	QTY	Un	SA/SNA
0	DC97-21600K	ASSY DRAWER	WW7800M(AOW),WW90M76NN2A/EG	1	PC	SNA
1	DC61-04636A	BODY DRAWER	WW90M74GNOO/SC,PP,DA WHITE,H	1	PC	SA
2	DC64-03859A	DECORATION PANEL	WW8XM740NOR/EG,ABS,SILK	1	PC	SNA
3	DC64-03675A	PANEL DRAWER	WW7800N,ABS,HG-0760GP,DA WH	1	PC	SNA
4	DC64-03674A	HANDLE DRAWER	WW7800N,ABS,HG-0760GP,DA W	1	PC	SNA
5	DC67-00928A	CAP GUIDE WATER	WW8800M,PP,MT43,Honesty	1	PC	SA
6	DC97-20420D	ASSY CASE DETERGENT	WW7800M,AOW GLOBAL	1	PC	SNA
6-1	DC63-02161A	COVER DETERGENT	WW10M86DQOO/EU,PP,DA WHI	1	PC	SA
6-2	DC67-00946A	CAP DETERGENT	WW10M86DQOO/EU,ABS,HG-0760	1	PC	SA
6-3	DC97-20415A	ASSY CAP V.W	WW8800M,WW10M8	1	PC	SA
6-4	DC61-04501C	CASE DETERGENT	WW7800M,PP,T2,NATURAL	1	PC	SA
7	DC97-20422D	ASSY CASE RINSE	WW7800M,WW80M760NO,AOW	1	PC	SNA
7-1	DC63-02162A	COVER DETERGENT	WW10M86DQOO/EU,PP,DA WHI	1	PC	SA
7-2	DC67-00947A	CAP DETERGENT	WW10M86DQOO/EU,ABS,HG-0760	1	PC	SA
7-3	DC97-20415A	ASSY CAP V.W	WW8800M,WW10M8	1	PC	SA
7-4	DC61-04502C	CASE DETERGENT	WW7800M,PP,T2,NATURAL	1	PC	SA
8	DC97-21603A	ASSY PANEL DRAWER	WW7800M,WW8XM740NOA/EG	1	PC	SA



6-2.ASSY DRAWER PARTS(ASSY HOUSING DRAWER) (WW8GM74NN2A/EG )


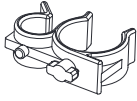

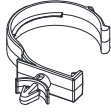




## MODEL CODE (WW8GM74NN2A/EG)

Service Bom (SA: SERVICE AVAILABLE, SNA: SERVICE NOT AVAILABLE)

Drawing No.	Code No.	Description	Specification	QTY	Un	SA/SNA
0	DC97-20819C	ASSY HOUSING DRAWER	WW7800M,WW90M74GN2A/	1	PC	SNA
1	DC62-00024M	VALVE WATER	AC220-240V,Bracket,1in 2out,	1	PC	SC
2	DC63-02160A	COVER DOOR SWITCH	WW10M86DQOO/EU,PP,NATU	1	PC	SA
3	DC64-00828G	SWITCH DOOR	AC125-250V,1.5/0.75,1BUTTON,	1	PC	SA
4	DC67-00949A	HOSE DRAWER	WW10M86DQOA/EU,EPDM,ID9,HS65	1	PC	SA
5	DC67-00051F	HOSE DRAWER	WF8502NHW,EPDM,AEGIS	0.6	M	SA
6	DC97-19821A	ASSY PUMP DRAIN	ASD,WD9500M,12V,DC	1	PC	SA
7	DC97-20820A	ASSY S.HOUSING DRAWER	WW7800M,WW90M74GNO	1	PC	SA
7-1	DC61-04634A	HOUSING DRAWER-UP	WW90M74GNOO/SC,PP,T2,N	1	PC	SNA
7-2	DC61-04505A	HOUSING DRAWER-MIDDLE	PP,T1.8,NATURAL,FC	1	PC	SNA
8	6003-000226	SCREW-TAPTYPE	TH,+,-,S,M4,L8,ZPC(WHT),SW	1	PC	SNA
9	DC61-04635A	HOUSING DRAWER-LOW	WW90M74GNOO/SC,PP,T1.	1	PC	SA
10	DC65-00008B	CLAMPER HOSE	SSEC-GE,SK5,-,Dacromet,T1.0	6	PC	SA
11	DC97-18470B	ASSY NOZZLE CONNECTOR	WD9000,WF16J9000KW	1	PC	SA

## 7. SMALL PARTS

				
1	2	3	4	5
				
6				

### MODEL CODE: WW8GM74NN2A/EG

Service Bom (**SA**: SERVICE AVAILABLE, **SNA**: SERVICE NOT AVAILABLE)

NO.	Code No.	Description	Specification	QTY	Un	SA/SNA
1	DC61-40083A	HOLDER WIRE	DAWH-3ND,PA66,NTR(PI24.4)/NY	1	PC	SNA
2	DC61-00133A	CLAMPER HOSE-FIX	P1291,PP,-,HOSE+PLUG,BJ	1	PC	SA
3	DC61-00118A	CLAMP-CABLE	P1291,PA66,NATURAL,NC0001	1	PC	SA
4	DC61-02879A	HOLDER WIRE	WF8804CPA,PA,-,NATURAL,-,211	1	PC	SNA
5	DC60-60044B	WASHER PLAIN	PO-SPHC,T2.0	4	PC	SA
6	DC61-40081A	HOLDER WIRE	DAWH-2NC,PA66,-,NATURAL,-	3	PC	SA
6	DC61-40081A	HOLDER WIRE	DAWH-2NC,PA66,-,NATURAL,-	3	PC	SA

## 8. PARTS LIST (SCREW TYPE)

### MODEL CODE (WW8GM74NN2A/EG)

Service Bom (SA: SERVICE AVAILABLE, SNA: SERVICE NOT AVAILABLE)

Code No.	Description	Specification	QTY	Un	SA/SNA
6002-000445	SCREW-TAPPING	TH,+,NO,2,M4,L18,PASS,STS4	3	PC	SNA
6002-001006	SCREW-TAPPING	TH,+,-,2S,M4,L12,PASS,STS4	3	PC	SNA
6003-001768	SCREW-TAPTYPE	TH,+,WT,S,M4,L10,ZPC(WHT),	1	PC	SNA
6006-001174	SCREW-TAPPING	TH,+,WT,2S,M4,L12,ZPC(WHT)	1	PC	SNA
6002-001554	SCREW-TAPPING	BH,+,No,1,M4,L12,STS430,HE	2	PC	SNA
6002-000213	SCREW-TAPPING	TH,+,1,M4,L12,ZPC(WHT),SWR	2	PC	SNA
6002-000444	SCREW-TAPPING	TH,+,2,M4,L14,PASS,STS430	2	PC	SNA
6002-000213	SCREW-TAPPING	TH,+,1,M4,L12,ZPC(WHT),SWR	2	PC	SNA
6002-000445	SCREW-TAPPING	TH,+,NO,2,M4,L18,PASS,STS4	3	PC	SNA
6002-001286	SCREW-TAPPING	FH,+,-,1,M4,L16,PASS,STS43	2	PC	SNA
6002-001554	SCREW-TAPPING	BH,+,No,1,M4,L12,STS430,HE	2	PC	SNA
6002-000239	SCREW-TAPPING	TH,+,NO,2S,M4,L8,ZPC(WHT),	1	PC	SNA
6002-001286	SCREW-TAPPING	FH,+,-,1,M4,L16,PASS,STS43	2	PC	SNA
6002-000630	SCREW-TAPPING	PH,+,NO,2S,M3,L8,ZPC(WHT),	7	PC	SNA
6002-000213	SCREW-TAPPING	TH,+,1,M4,L12,ZPC(WHT),SWR	2	PC	SNA
6002-000444	SCREW-TAPPING	TH,+,2,M4,L14,PASS,STS430	2	PC	SNA
6002-000470	SCREW-TAPPING	TH,+,NO,1,M4,L10,ZPC(WHT),	2	PC	SNA
6002-000444	SCREW-TAPPING	TH,+,2,M4,L14,PASS,STS430	2	PC	SNA
6002-000470	SCREW-TAPPING	TH,+,NO,1,M4,L10,ZPC(WHT),	2	PC	SNA
6009-001522	SCREW-HEX	HWH,+,M5,L16,PASS,STS430,FP,SE	2	PC	SA
6002-000213	SCREW-TAPPING	TH,+,1,M4,L12,ZPC(WHT),SWR	2	PC	SNA
6002-000213	SCREW-TAPPING	TH,+,1,M4,L12,ZPC(WHT),SWR	2	PC	SNA
6002-000213	SCREW-TAPPING	TH,+,1,M4,L12,ZPC(WHT),SWR	2	PC	SNA
6003-001768	SCREW-TAPTYPE	TH,+,WT,S,M4,L10,ZPC(WHT),	1	PC	SNA
6006-001174	SCREW-TAPPING	TH,+,WT,2S,M4,L12,ZPC(WHT)	1	PC	SNA
6002-001327	SCREW-TAPPING	PWH,+,1,M4,L12,ZPC(WHT),SW	6	PC	SNA
6003-000226	SCREW-TAPTYPE	TH,+,-,S,M4,L8,ZPC(WHT),SW	1	PC	SNA
6006-001174	SCREW-TAPPING	TH,+,WT,2S,M4,L12,ZPC(WHT)	1	PC	SNA
6002-000239	SCREW-TAPPING	TH,+,NO,2S,M4,L8,ZPC(WHT),	1	PC	SNA
DE60-10080A	SCREW-TAPPING	PWH,+,2S,M5,L9,ZPC(WHT),SW	2	PC	SNA
6002-000445	SCREW-TAPPING	TH,+,NO,2,M4,L18,PASS,STS4	3	PC	SNA
6002-001438	SCREW-TAPPING	HWH,+,NO,1,M5,L12,ZPC(WHT)	2	PC	SNA

---

## MODEL CODE (WW8GM74NN2A/EG)

Service Bom (**SA**: SERVICE AVAILABLE, **SNA**: SERVICE NOT AVAILABLE)

Code No.	Description	Specification	QTY	Un	SA/SNA
6003-000226	SCREW-TAPTYPE	TH,+,-,S,M4,L8,ZPC(WHT),SW	1	PC	SNA
6006-001174	SCREW-TAPPING	TH,+ ,WT,2S,M4,L12,ZPC(WHT)	1	PC	SNA
6009-001343	SCREW-SPECIAL	PH,TORX,M4,L12,ZPC(WHT),SW	2	PC	SNA
6002-000213	SCREW-TAPPING	TH,+ ,1,M4,L12,ZPC(WHT),SWR	2	PC	SNA
6001-000516	SCREW-MACHINE	PH,+,-,M3,L10,ZPC(WHT),SWR	3	PC	SNA
6001-000516	SCREW-MACHINE	PH,+,-,M3,L10,ZPC(WHT),SWR	3	PC	SNA
DC97-14006C	ASSY SCREW	GRIFFIN-PJT,WF9904RWE,SWRCH18	2	PC	SNA
6002-001436	SCREW-TAPPING	PH,+ ,2,M4,L18,ZPC(WHT),SWR	6	PC	SNA
DC97-15858A	ASSY SCREW	trumph-PJT,WF-F1061/YLP,SWRCH	2	PC	SNA
6001-001773	SCREW-MACHINE	TH,+,-,M5,L12,PASS,STS430,	2	PC	SA
6002-000444	SCREW-TAPPING	TH,+ ,2,M4,L14,PASS,STS430	2	PC	SNA