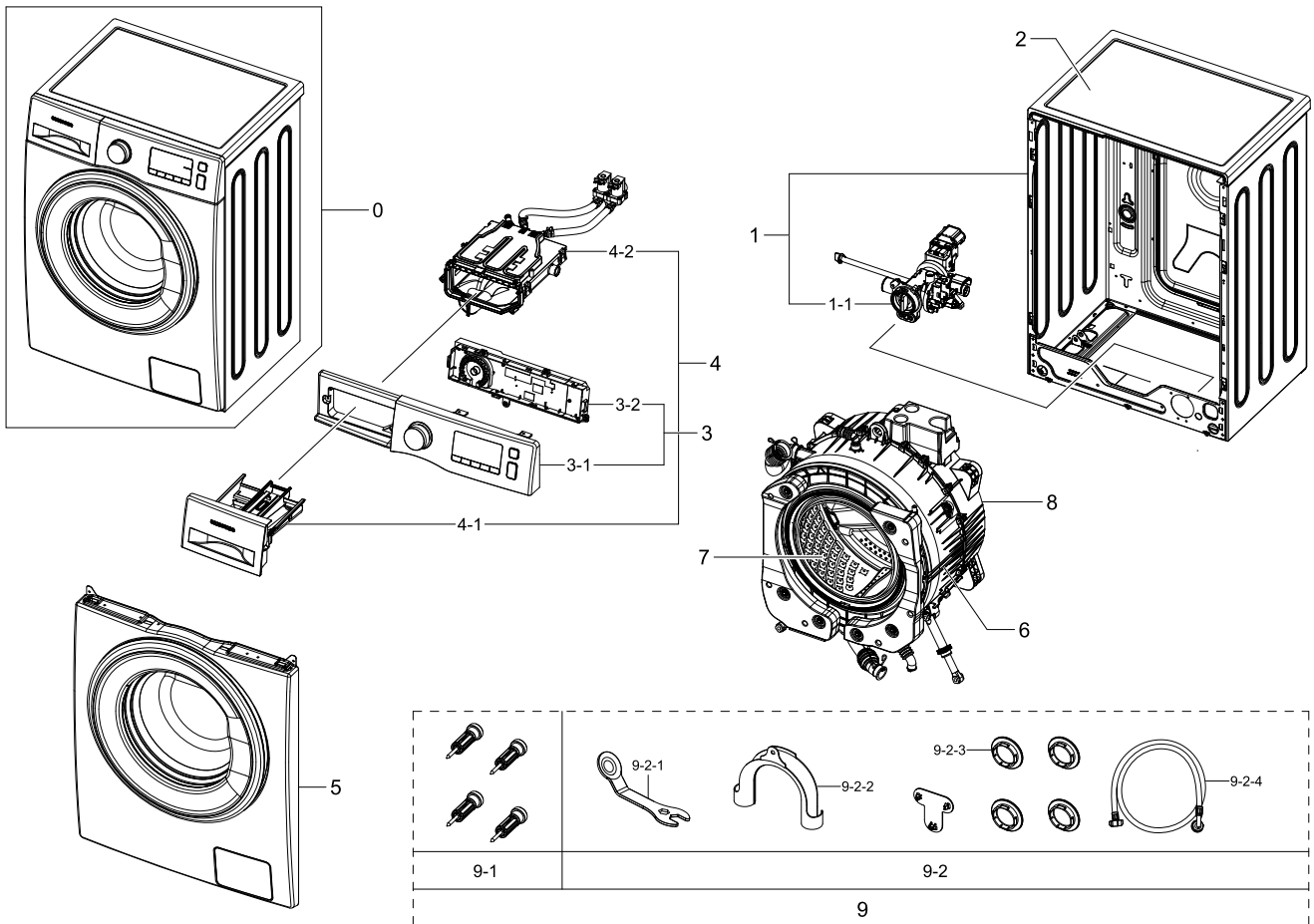


1. WW80R421HFW/EO

Exploded View



Parts List

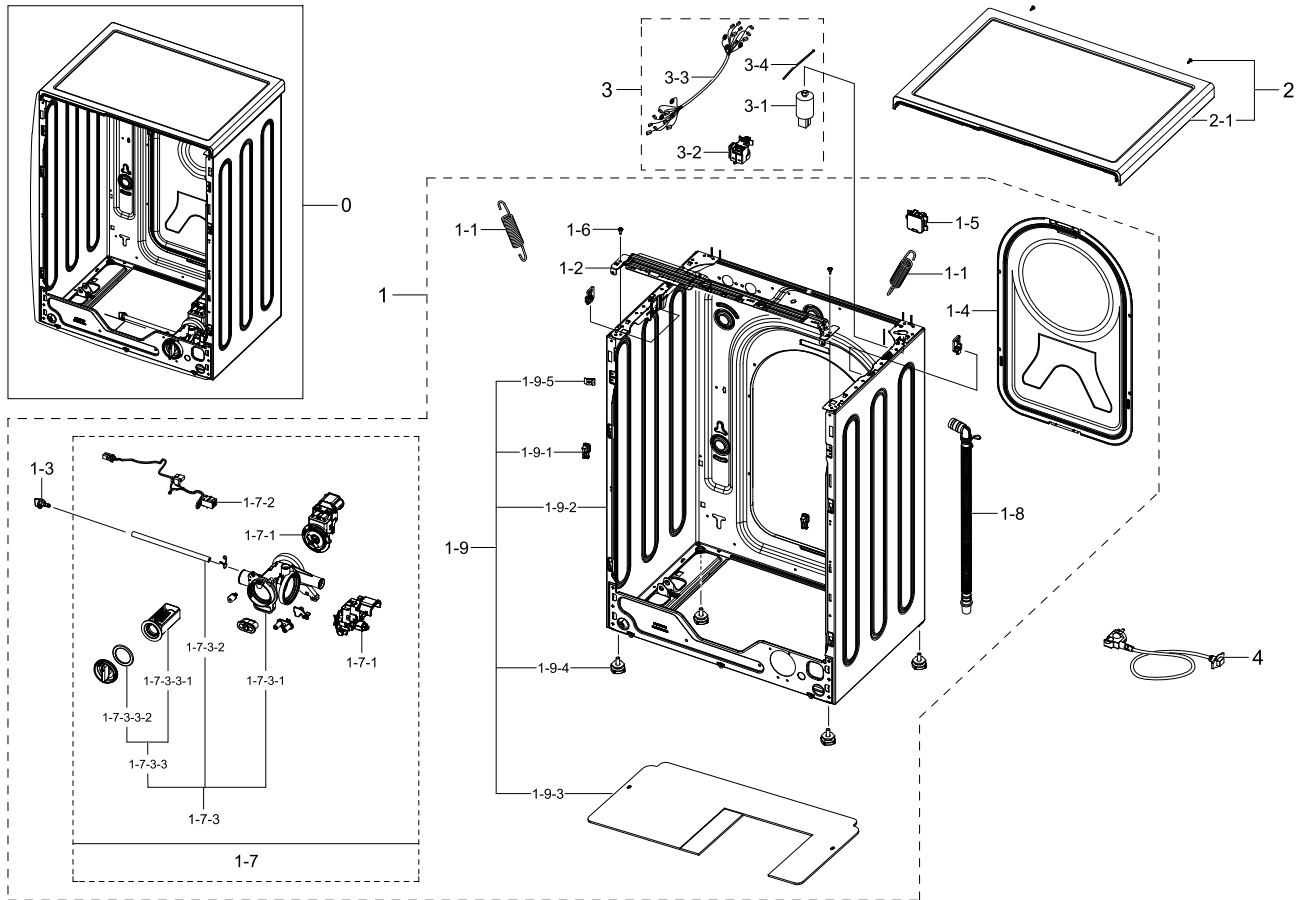
No.	Lvl.	Loc.	Material Code	Description & Specification	SNA	Qty.
1	1		DC90-23447A	ASSY FRAME PARTS; WW6/5/4600K,7kg,Da Whit	SNA	1
1-1	2	J0013	DC97-16441H	ASSY PUMP DRAIN; WW5/4/3000, F100R,220V	SA	1
2	1	P0001	DC97-19874A	ASSY COVER TOP; WW6/5/4600K,DA WHITE	SNA	1
3	1		DC90-23544P	ASSY PANEL CONTROL PARTS; WW4100R-OLD,WW8	SNA	1
3-1	2	C0002	DC97-19752M	ASSY PANEL CONTROL; WW4100R,WW80R421HFW/E	SA	1
3-2	2		DC94-09318A	ASSY PCB EEPROM; 0C34,EEPROM,WW4100R,WW41	SA	1
4	1		DC90-00126F	ASSY DRAWER PARTS; WW4100R-OLD,WHITE	SNA	1
4-1	2	R0014	DC97-17312W	ASSY DRAWER; WW4100R,WHITE	SNA	1
4-2	2	R0090	DC97-18828A	ASSY HOUSING DRAWER; WW3000J,WW60J3263LW/	SA	1
5	1		DC90-23832L	ASSY FRONT PARTS; WW4100R,WHITE BODY BLUE	SNA	1

Exploded Views and Parts List

No.	Lvl.	Loc.	Material Code	Description & Specification	SNA	Qty.
6	1		DC90-23741A	ASSY TUB FRONT PARTS; WW5/4100K	SNA	1
7	1	R0063	DC90-23581A	ASSY COVER DRUM; WW6600K	SNA	1
8	1		DC90-23502B	ASSY TUB BACK PARTS; WW4/6600R	SNA	1
9	1		DC90-23575A	ASSY ACCESSORY PARTS; WW6/5/4600K	SNA	1
9-1	2	W0603	DC97-14653C	ASSY FIXER TUB; SCOUT,WF0804Y8E/XEF	SA	4
9-2	2	Y0101	DC98-01838A	ASSY ACCESSORY; AEGIS,FOR BODY DRAWER DC6	SNA	1
9-2-1	3	W0636	DC60-00104A	FASTENER-BOLT; ALL,CR-SPCC,2.0,L113.5	SA	1
9-2-2	3	WH5379	DC62-10278A	HOSE HANGER; PUMP MODEL,PP,ID27,T1.5,HS95	SA	1
9-2-3	3	W0614	DC67-00307A	CAP-FIXER; WF438AAC/XAA,PP,T1.5,RECYCLE,B	SA	4
9-2-4	3	I0040	DC97-17845A	ASSY HOSE WATER; COLD,ALL MODEL	SA	1

2. Assy Frame&Cover Parts

Exploded View



Parts List

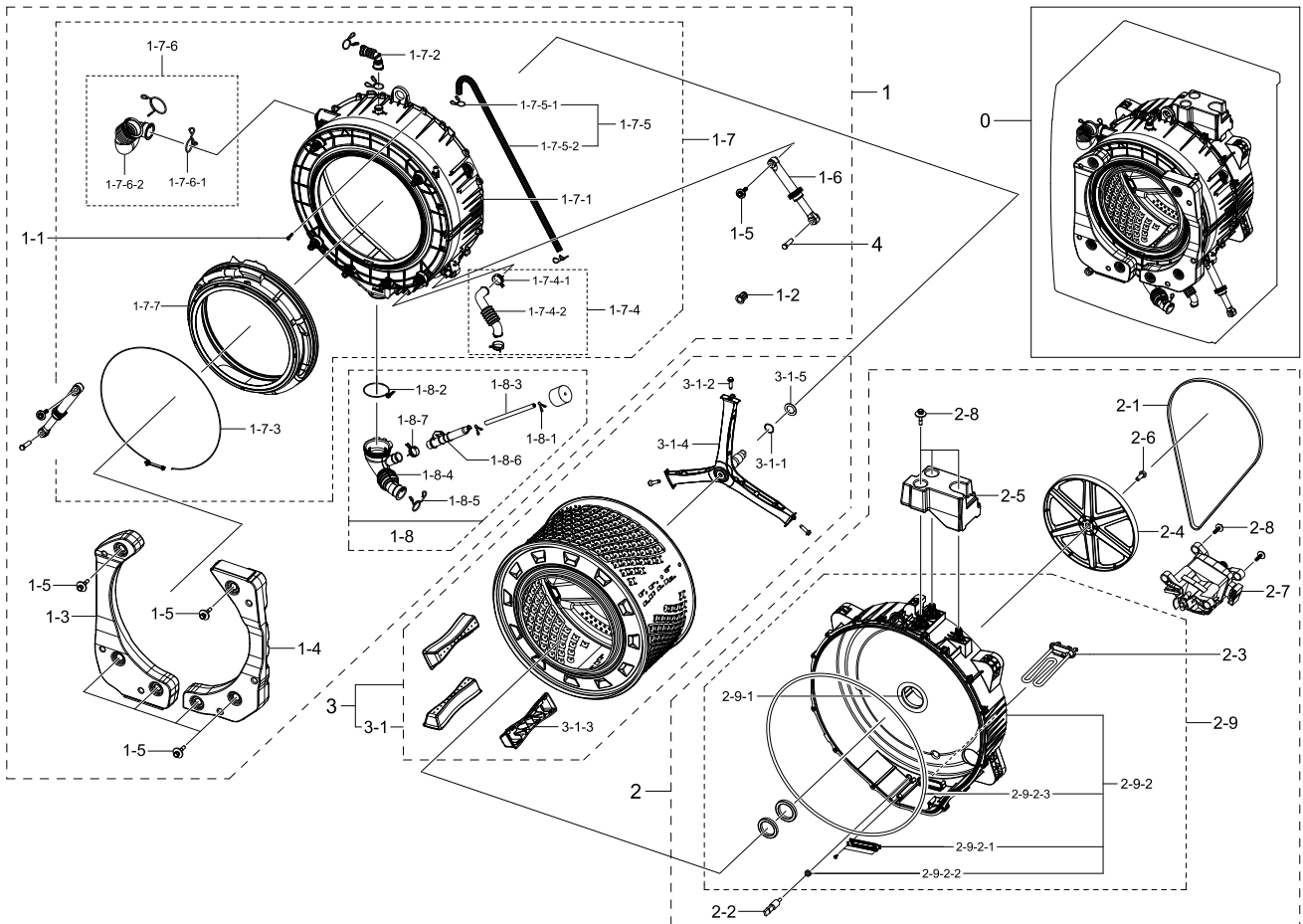
No.	Lvl.	Loc.	Material Code	Description & Specification	SNA	Qty.
1	1		DC90-23447A	ASSY FRAME PARTS; WW6/5/4600K,7kg,Da Whit	SNA	1
1-1	2	W0630	DC61-02146A	SPRING ETC-HANGER; AEGIS-PJT,HSWR-SWRH,CD	SA	2
1-2	2		DC61-03969A	FRAME PLATE-UP; GI-SGCC,-,-,T1.2,AEGIS	SA	1
1-3	2		DC61-10673C	CAP DRAIN; WF1802XEY/XSC,FRPP,BLACK	SA	1
1-4	2		DC63-00862D	COVER BACK; WW6/5/4600K,GI-SGCC,T0.35	SA	1
1-5	2		DC63-01964A	COVER CONNECTOR; PP,T2.5,HB,NATURAL,HASS	SA	1
1-6	2	M0030	DC97-15633A	ASSY SCREW; TH,SWCH22A,M4	SA	2
1-7	2	J0013	DC97-16441H	ASSY PUMP DRAIN; WW5/4/3000, F100R,220V	SA	1
1-7-1	3		DC31-00181A	MOTOR AC PUMP; Drum & Auto,B15-6A/S3019/S30	SA	2
1-7-2	3	W0503	DC96-01567C	ASSY WIRE HARNESS; AEGIS 3- PJT,WF0702WKN	SA	1
1-7-3	3	U0361	DC97-15865A	ASSY CASE FILTER; SUNNY-PJT,WF9702N5W,7.0	SNA	1
1-7-3-1	4	W0479	DC61-02505A	CASE PUMP; BAIKAL-PJT,PP,NEAT WHITE,TB53,	SA	1
1-7-3-2	4		DC67-00244N	HOSE DRAIN; AEGIS 3,EPDM,ID6,OD10,T2.0,L2	SA	1

Exploded Views and Parts List

No.	Lvl.	Loc.	Material Code	Description & Specification	SNA	Qty.
1-7-3-3	4	U0310	DC97-15695A	ASSY FILTER; GRIFFIN-PJT,WF9804RWE,PP+EPD	SNA	1
1-7-3-3-1	5	W0633	DC63-00998A	FILTER PUMP; SCOUT-PJT,PP,-,NEAT WHITE,BU	SA	1
1-7-3-3-2	5		DC73-00022A	SEAL PACKING; SEW-HVR149ATA,EPDM,BLK,-	SA	1
1-8	2	I0022	DC97-18011A	ASSY HOSE DRAIN(O); AEGIS,BAIKAL,F100R,WF	SA	1
1-9	2	F0123	DC97-19888A	ASSY PAINT FRAME; WW6/5/4600K,WW6/5/4100K	SA	1
1-9-1	5		DC61-01901A	GUIDE FRAME FRONT; ALL MODEL,POM,T5.5,K30	SA	2
1-9-2	3	F0028	DC97-19891A	ASSY FRAME; WW6/5/4600K,DA WHITE	SA	1
1-9-3	3	W0629	DC64-01667A	SHUTTER; AEGIS-PJT,PP,FC2305,WHITE	SA	1
1-9-4	3	B0070	DC97-00920U	ASSY LEG; F500E,WF80F5E5U4W/EF,H33.5,P1.5	SA	4
1-9-5	3		DD61-00140A	BRACKET-TAPPING; SDW-T120B,SK5,T0.6,BLK,C	SA	2
2	1	P0001	DC97-19874A	ASSY COVER TOP; WW6/5/4600K,DA WHITE	SNA	1
2-1	2	P0001	DC97-18824A	ASSY COVER TOP; WW3000J,WW60J3263LW/LD	SA	1
3	1		DC90-27613A	ASSY INNER PARTS; WW4100R,2way	SNA	1
3-1	2		DC29-00015K	FILTER EMI; 6.5mH,53X95.5X53mm,15A,AC250V	SA	1
3-2	2	H2050	DC96-01703G	SENSOR PRESSURE; Air,5V,L0,400mmH2O	SA	1
3-3	2		DC93-00651D	ASSY WIRE HARNESS-MAIN; DRUM-M,N,2PUMP,N,	SA	1
3-4	2	A0354	DC65-10001A	CABLE TIE; CT-140,T1.1,W3.5,L145,NTR,NYLO	SNA	1
4	2	W0018	DC96-00146H	POWER CORD-AT; H05VV-F 3x1.0mm2,GRY,EU3F,	SA	1

3. Assy Tub&Drum Parts

Exploded View



Parts List

No.	Lvl.	Loc.	Material Code	Description & Specification	SNA	Qty.
1	1		DC90-23741A	ASSY TUB FRONT PARTS; WW5/4100K	SNA	1
1-1	2	G0049	6009-001367	BOLT-HEX; M6.5,L32,ZPC(WHT),SWRCH18A,HWH	SA	15
1-2	2	U0116	DC61-01097A	BUSH MOTOR; PA,-,-,PA66(2110R)	SA	1
1-3	2		DC67-00861A	WEIGHT BALANCER-LEFT; WW6/5/4600K,WW6/5/4	SA	1
1-4	2		DC67-00862A	WEIGHT BALANCER-RIGHT; WW6/5/4600K,WW6/5/	SA	1
1-5	2	W0601	DC97-14263A	ASSY BOLT; MOTOR/BOLT(M8)+WASHER(OD27.5),	SA	8
1-6	2	U0133	DC66-00343H	DAMPER SHOCK; AEGIS-PJT,PP,70N,L197.5,BLK	SA	2
1-7	2	U0026	DC97-19964A	ASSY TUB FRONT; WW56/51/46/4100K,F400E PI	SNA	1
1-7-1	3		DC61-04266A	TUB FRONT; WW6/5/4600K,WW6/5/4100K,FRPP,N	SA	1
1-7-2	3		DC67-00354A	HOSE AIR; HEBA PJT,EPDM,BLACK,18.3g	SA	1

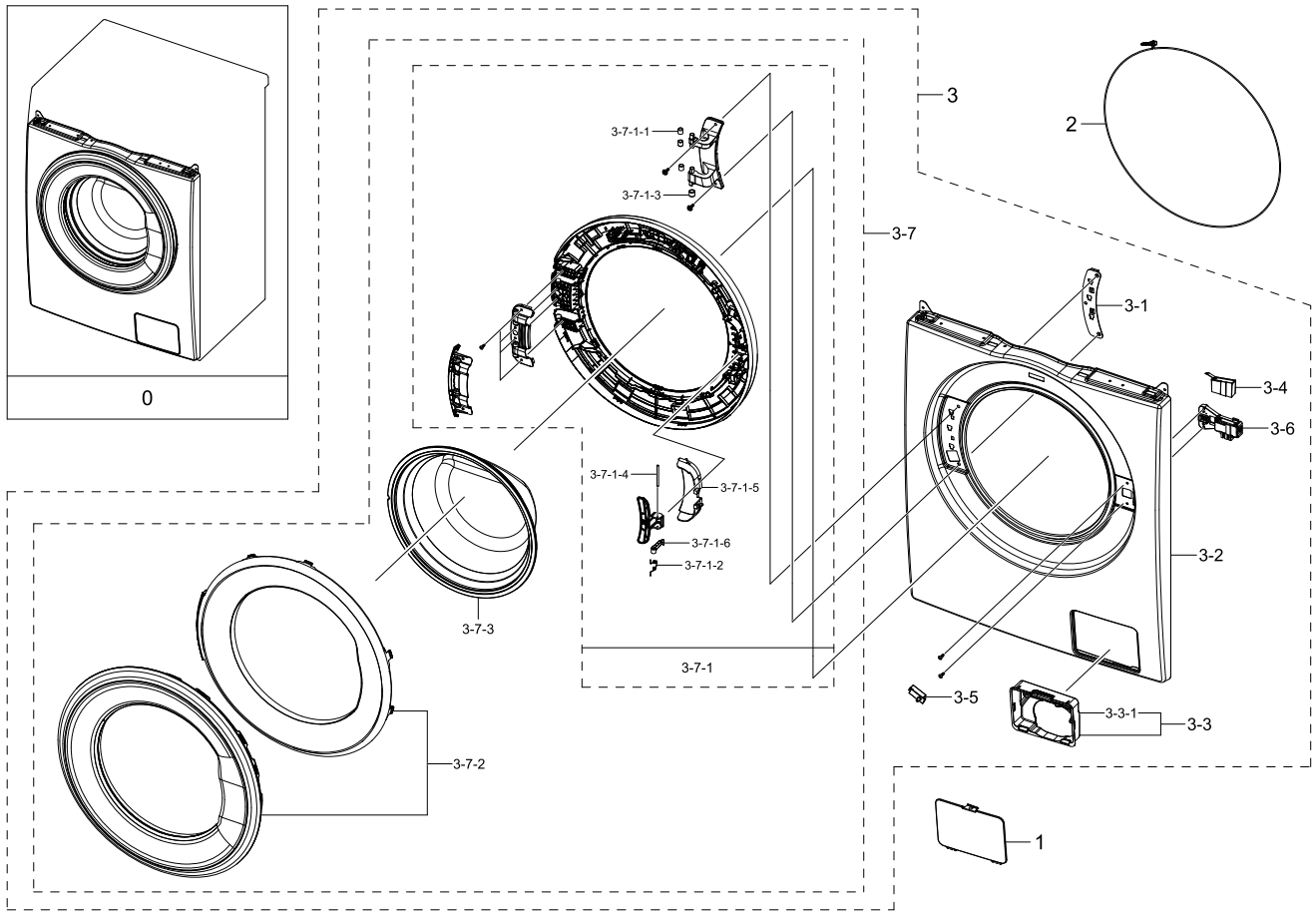
Exploded Views and Parts List

No.	Lvl.	Loc.	Material Code	Description & Specification	SNA	Qty.
1-7-3	3	M0038	DC91-12077G	ASSY CLAMP DIAPHRAGM; AEGIS,WF8500NHW/YLP	SA	1
1-7-4	3	I0020	DC97-19965A	ASSY HOSE AIR; WW66/61/56/51/46/4100K,F40	SA	1
1-7-4-1	4	W0615	DC61-01679B	CLAMPER HOSE; SEW-HFR167AR,SK5,-,-	SA	1
1-7-4-2	4	G0053	DC67-00526A	HOSE AIR TUB; AEGIS3-PJT,EPDM,T2.8,BLK	SA	1
1-7-5	3	G0422	DC97-17516A	ASSY HOSE AIR; AEGIS_BUBBLE,WF0702WKV/YLP	SA	1
1-7-5-1	4	W0610	DC65-60118H	CLIP RING; HSWR-SWRH,SEW-740DR,PI15	SA	2
1-7-5-2	4	W0437	DC67-00606A	HOSE AIR; AEGIS 2A COMBO BUBBLE-PJT,EPDM,	SA	1
1-7-6	3	R0151	DC97-18827A	ASSY HOSE DRAWER; WW3000J,WW60J3263LW/LD	SA	1
1-7-6-1	4	W0610	DC65-60118R	CLIP RING; AEGIS-PJT,HSWR-SWRH,T3.0,ID37	SA	1
1-7-6-2	4	W0624	DC67-00474A	HOSE-DRAWER TUB; WW3000,EPDM,T2.0,BLACK	SA	1
1-7-7	3		DC64-03197B	DOOR DIAPHRAGM; WW6,5,4,3000J,TPE,-,HB,EK	SA	1
1-8	2	I0070	DC97-14637Q	ASSY HOSE PRESSURE; 400mmH20,No PBA,No Ho	SNA	1
1-8-1	3	WP0165	DC61-70029C	CLIP RING; SEW-HW125,HSWR,WHITE	SA	2
1-8-2	3	W0744	DC65-00021A	CLAMPER HOSE-JOINT; HEBA PJT,HSWR	SA	1
1-8-3	3	W0725	DC67-00230D	HOSE WATER; AEGIS-PJT,TPE,ID4.5,T1.75,BLA	SA	1
1-8-4	3	W0625	DC67-00335A	HOSE FILTER TUB; AEGIS-PJT,EPDM,ID64.5;ID	SA	1
1-8-5	3	WJ0027	DC72-00001H	CLIP RING; HEBA-PJT,HSWR,WHITE	SA	1
1-8-6	3		DC67-00856A	HOSE JOINT AIR; AEGIS Slim (BUBBLE & Non	SNA	1
1-8-7	3	W0615	DC61-00219B	CLAMPER HOSE; SK5,WLS1100A,ID24 OD26.4	SA	1
2	1		DC90-23502B	ASSY TUB BACK PARTS; WW4/6600R	SNA	1
2-1	2	U0095	6602-003939	BELT-TIMING GEAR; RUBBER,T3.2,W11.7,L1270	SA	1
2-2	2	M0487	DC32-00010C	THERMISTOR; WASHER,-10~100,5,5,3.243k	SA	1
2-3	2	W0237	DC47-00033A	HEATER-WASH; AC230V,Double Fuse (167,	SC	1
2-4	2		DC66-00767A	PULLEY MOTOR; F500,PA66,NATURAL,OD296.8	SA	1
2-5	2		DC67-00860A	WEIGHT BALANCER-UP; WW6/5/4600K,WW6/5/410	SA	1
2-6	2	U0051	DC97-06080C	ASSY BOLT; BOLT+WASHER(OD38),,,,,,	SA	1
2-7	2		DC93-00630A	ASSY MOTOR BLDC; F4 24mm Press Housing Ty	SNA	1
2-8	2	W0601	DC97-14263A	ASSY BOLT; MOTOR/BOLT(M8)+WASHER(OD27.5),	SA	5
2-9	2	U0092	DC97-19899A	ASSY SEMI TUB BACK; WW6/5/4600K,WW6/5/410	SA	1
2-9-1	3	WS0119	DC62-00008A	SEAL OIL; NBR,BLACK,-,NBU	SA	1
2-9-2	3	U0013	DC97-19896A	ASSY TUB BACK; WW6/5/4600K,WW6/5/4100K	SA	1
2-9-2-1	4	W0230	DC61-02874A	BRACKET HEATER; WD0704CQR,STS430,T0.5	SA	1
2-9-2-2	4	M0028	DC69-00824A	PACKING-THERMISTOR; GW-PJT,EPDM,-,-,W17,H	SA	1

No.	Lvl.	Loc.	Material Code	Description & Specification	SNA	Qty.
2-9-2-3	4	U0364	DC69-01769A	PACKING-TUB; ARNO,EPDM,EPDM,T5.5,L1720,BL	SNA	1
3	1	R0063	DC90-23581A	ASSY COVER DRUM; WW6600K	SNA	1
3-1	2	R0001	DC97-19726A	ASSY DRUM; WW6/5/4600K	SA	1
3-1-1	3		6044-002157	RING-OG; ID28,OD32.2,T2.1,BLK,NBR	SA	1
3-1-2	3	WJ5081	DC60-40137A	BOLT HEX; MARS-PJT,STS430,M8,P1.25,L30,HE	SA	3
3-1-3	3		DC66-00872A	DRUM LIFTER; WW7100 & WD7100,PP,T3.0,TB53,D	SNA	3
3-1-4	3	R0001	DC97-17235A	ASSY FLANGE SHAFT; F400 PJT	SA	1
3-1-5	3	WS0131	DC60-00069A	SPACER; WR-HA139WA,STS304	SNA	1
4	2	G0049	DC60-40144A	BOLT HEX; SM10C,L35,ZPC2(YEL),M10,ZPC2(YE	SA	2

4. Assy Front Parts

Exploded View



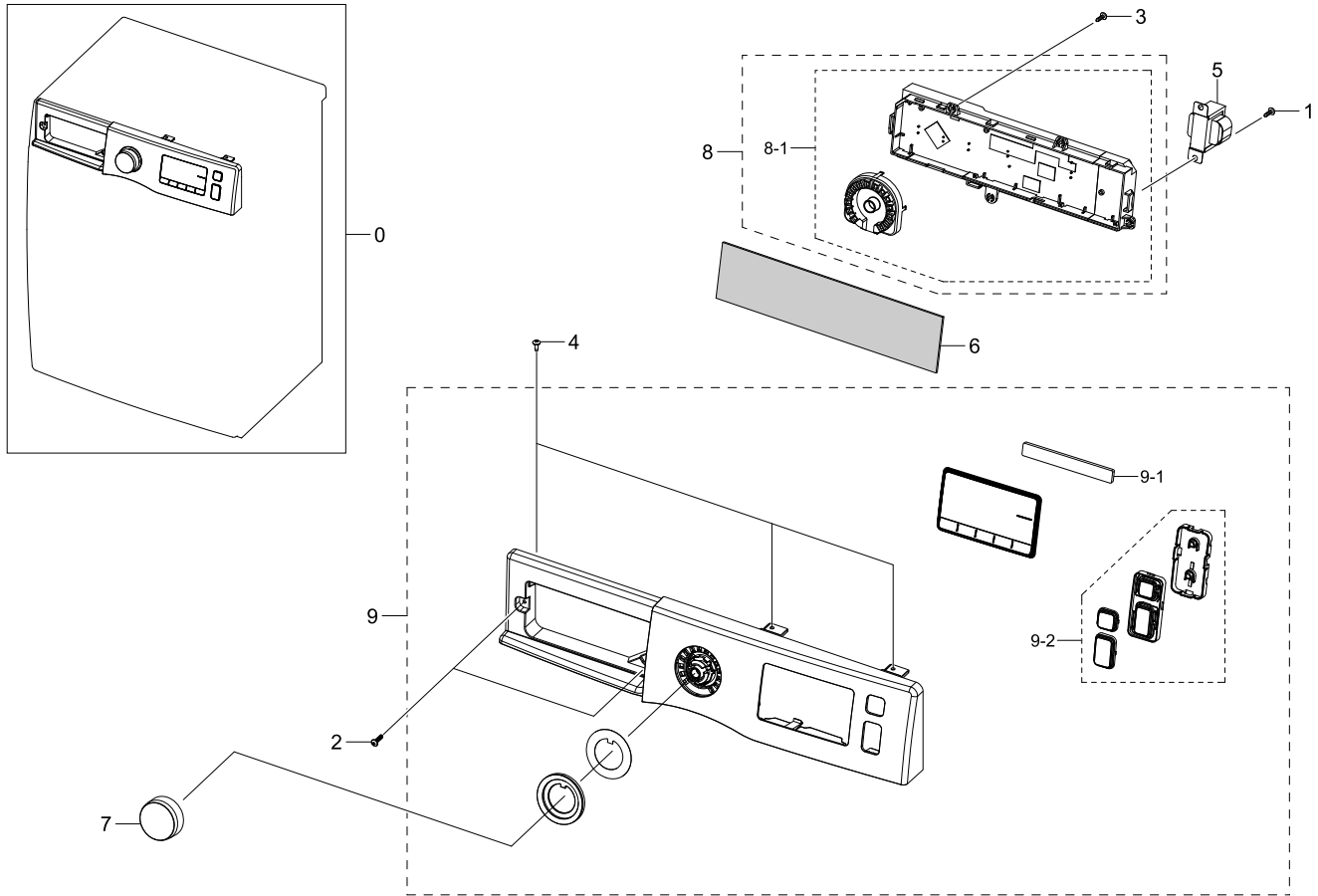
Parts List

No.	Lvl.	Loc.	Material Code	Description & Specification	SNA	Qty.
0	1		DC90-23832L	ASSY FRONT PARTS; WW4100R,WHITE BODY BLUE	SNA	1
1	2		DC63-01974A	COVER FILTER; ABS,T2.5,DA WHITE,WT0035	SNA	1
2	2	W0608	DC91-12078E	ASSY WIRE DIAPHRAGM; AEGIS,WF8500NHW/YLP,	SA	1
3	2	F0064	DC97-21767A	ASSY FRAME FRONT; WW46/6600R,T0.7,DA WHIT	SA	1
3-1	3	D0048	DC61-02184A	BRACKET HINGE; WF8500NHW,GI-SGCC,T1.4,AEG	SA	1
3-2	3		DC61-04226A	FRAME FRONT; 46/56/6600K,GI-SGCC,DA WHITE	SNA	1
3-3	3	U0312	DC97-20385A	ASSY FILTER GUIDE; J,K-series,PP	SNA	1
3-3-1	4		DC61-04227A	GUIDE FILTER; PP,T2,TB53,BLACK	SA	1
3-4	4	WE0059	DC63-00967A	COVER DOOR SWITCH; AEGIS-PJT/ WF8500NHW,P	SA	1
3-5	4		DC64-00828G	SWITCH DOOR; AC125-250V,1.5/0.75,1BUTTON,	SA	1

No.	Lvl.	Loc.	Material Code	Description & Specification	SNA	Qty.
3-6	4	WE0067	DC64-01538A	SWITCH DOOR LOCK; AC250V,16,BIMETAL	SA	1
3-7	3	D0001	DC97-19745A	ASSY DOOR; WW6/5/4100K,Crystal Gloss blue	SA	1
3-7-1	4	D0132	DC97-19758A	ASSY HOLDER GLASS; WW6/5/4100K,VERSAILLES	SNA	1
3-7-1-1	6	WD0090	DC61-00891A	GUIDE HINGE; HAUZEN(DOM),POM,B,white,HING	SA	3
3-7-1-2	5	WD0130	DC61-02027A	SPRING ETC LEVER; STS304,CD1.2,L10.6	SA	1
3-7-1-3	6		DC61-02197B	GUIDE WIRE; POM,T1,K300,NATURAL	SA	1
3-7-1-4	5	W0217	DC64-00564A	HANDLE PIN; WF602U2BKWQ/SC,STS304,NATURE	SA	1
3-7-1-5	5	D0125	DC63-01541C	COVER HANDLE; F400E,ABS,-,HB,VERSAILLES G	SNA	1
3-7-1-6	5	W0474	DC66-00344A	LEVER DOOR; WF60F4E1W2W,ZNDC,NATURAL,NI C	SA	1
3-7-2	4	D0101	DC97-19881A	ASSY COVER DOOR; WW6/5/4100K,BLUE	SA	1
3-7-3	4	W0448	DC64-01790A	DOOR GLASS; AEGIS,GLASS,T5,W353.0	SA	1

5. Assy Panel Control&Assy Kit

Exploded View



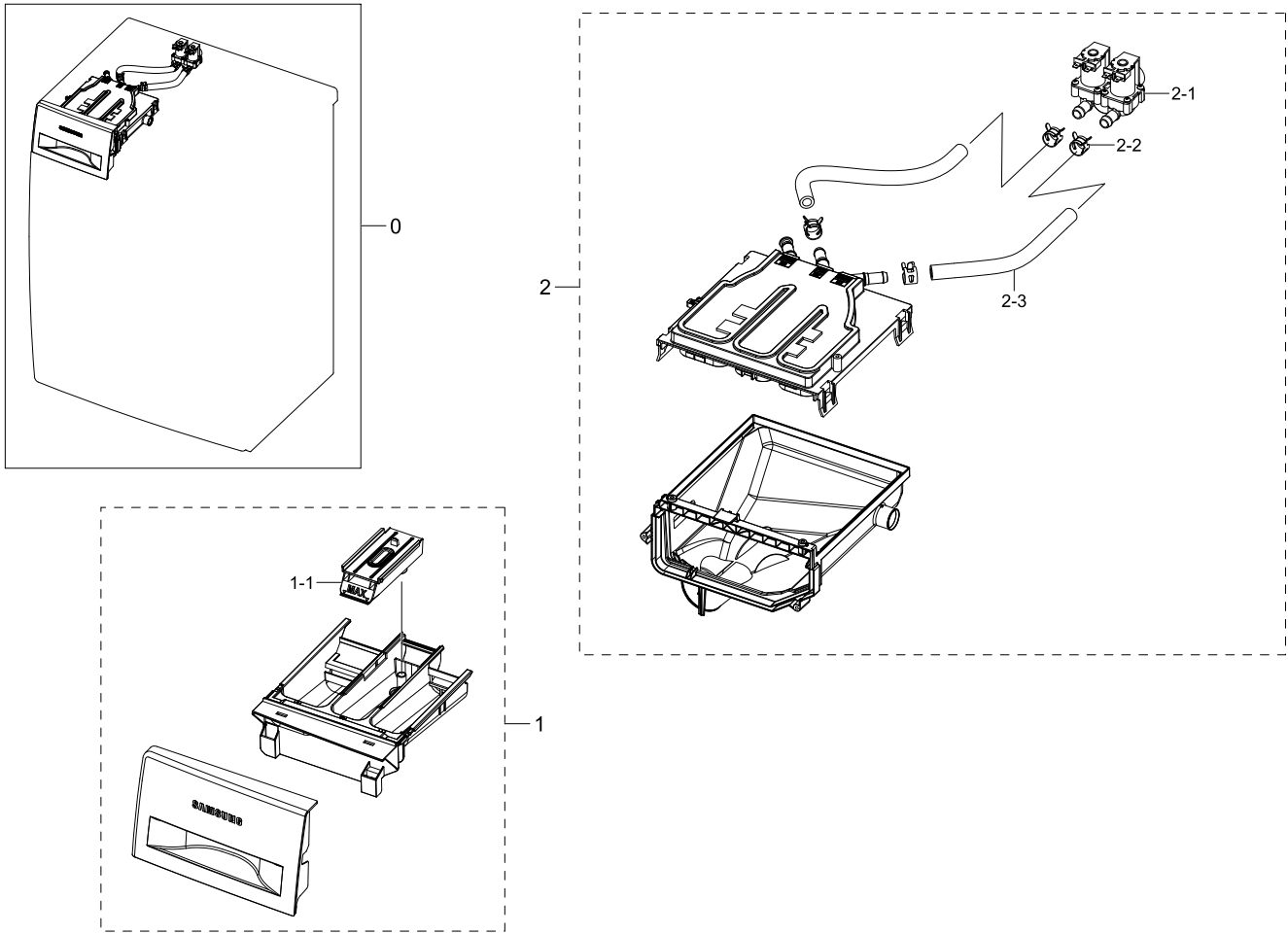
Parts List

No.	Lvl.	Loc.	Material Code	Description & Specification	SNA	Qty.
0	1		DC90-23544P	ASSY PANEL CONTROL PARTS; WW4100R-OLD,WW8	SNA	1
1	2	F0056	6003-001768	SCREW-TAPTYPE; TH,+,WT,S,M4,L10,ZPC(WHT),	SNA	2
2	2	W0105	6002-000445	SCREW-TAPPING; TH,+,NO,2,M4,L18,PASS,STS4	SNA	2
3	2	WX0441	6002-000520	SCREW-TAPPING; TH,+,2,M4,L12,ZPC(WHT),SWR	SNA	7
4	2	W0105	6006-001174	SCREW-TAPPING; TH,+,WT,2S,M4,L12,ZPC(WHT)	SNA	10
5	2		DC27-00012A	COIL HARMONIC; 4.5mH,40x69x39mm,3A,-	SA	1
6	2		DC63-01829A	SHEET PCB; WW6000 (New Compact DIM),PC,T0	SNA	1
7	2		DC64-03312D	KNOB ENCODER; WW3,4,5000,ABS+PMMA,Deep Ge	SA	1
8	2		DC94-09318A	ASSY PCB EEPROM; 0C34,EEPROM,WW4100R,WW41	SA	1
8-1	3		DC92-02400C	ASSY KIT; FWM_INV,WW4100K_F4 Motor,F400,	SA	1
9	2	C0002	DC97-19752M	ASSY PANEL CONTROL; WW4100R,WW80R421HFW/E	SA	1

No.	Lvl.	Loc.	Material Code	Description & Specification	SNA	Qty.
9-1	3		DC92-01785A	ASSY MODULE; TOUCH SENSOR,WW4/3000J,5KEY	SA	1
9-2	3	C0112	DC97-17392A	ASSY BUTTON; WF80F50FU4W/EF	SA	1

6. Assy Drawer

Exploded View

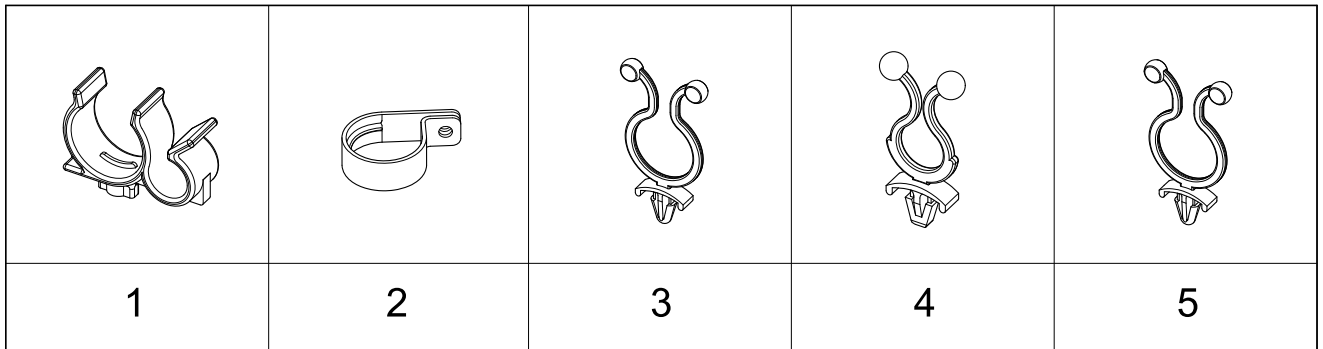


Parts List

No.	Lvl.	Loc.	Material Code	Description & Specification	SNA	Qty.
0	1		DC90-00126F	ASSY DRAWER PARTS; WW4100R-OLD,WHITE	SNA	1
1	2	R0014	DC97-17312W	ASSY DRAWER; WW4100R,WHITE	SNA	1
1-1	3		DC67-00669B	CAP RINSE; WF-F500E,PP,T2,HB,MT43,Honesty	SA	1
2	2	R0090	DC97-18828A	ASSY HOUSING DRAWER; WW3000J,WW60J3263LW/	SA	1
2-1	3	W0078	DC62-00024M	VALVE WATER; AC220-240V,Bracket,1 in 2out,	SA	1
2-2	3	W0615	DC65-00008B	CLAMPER HOSE; SSEC-GE,SK5,-,Dacromet,T1.0	SA	4
2-3	3		DC67-00051N	HOSE DRAWER; SCOUT CB,EPDM,ID9.0,OD14.5,L	SA	2

7. Small Parts

Exploded View



Parts List

No.	Lvl.	Loc.	Material Code	Description & Specification	SNA	Qty.
1	3	W0616	DC61-00133A	CLAMPER HOSE-FIX; P1291,PP,-,HOSE+PLUG,BJ	SA	2
2	2	W0616	DC61-00118A	CLAMP-CABLE; P1291,PA66,NATURAL,NC0001	SA	1
3	2	WI0293	DC61-40081A	HOLDER WIRE; DAWH-2NC,PA66,-,NATURAL,-	SA	2
4	3	W0623	DE65-20026A	HOLDER WIRE; PA,NATURAL,LOCK-TWIST/STAND/	SA	1
5	3	WI0293	DC61-40081A	HOLDER WIRE; DAWH-2NC,PA66,-,NATURAL,-	SA	1