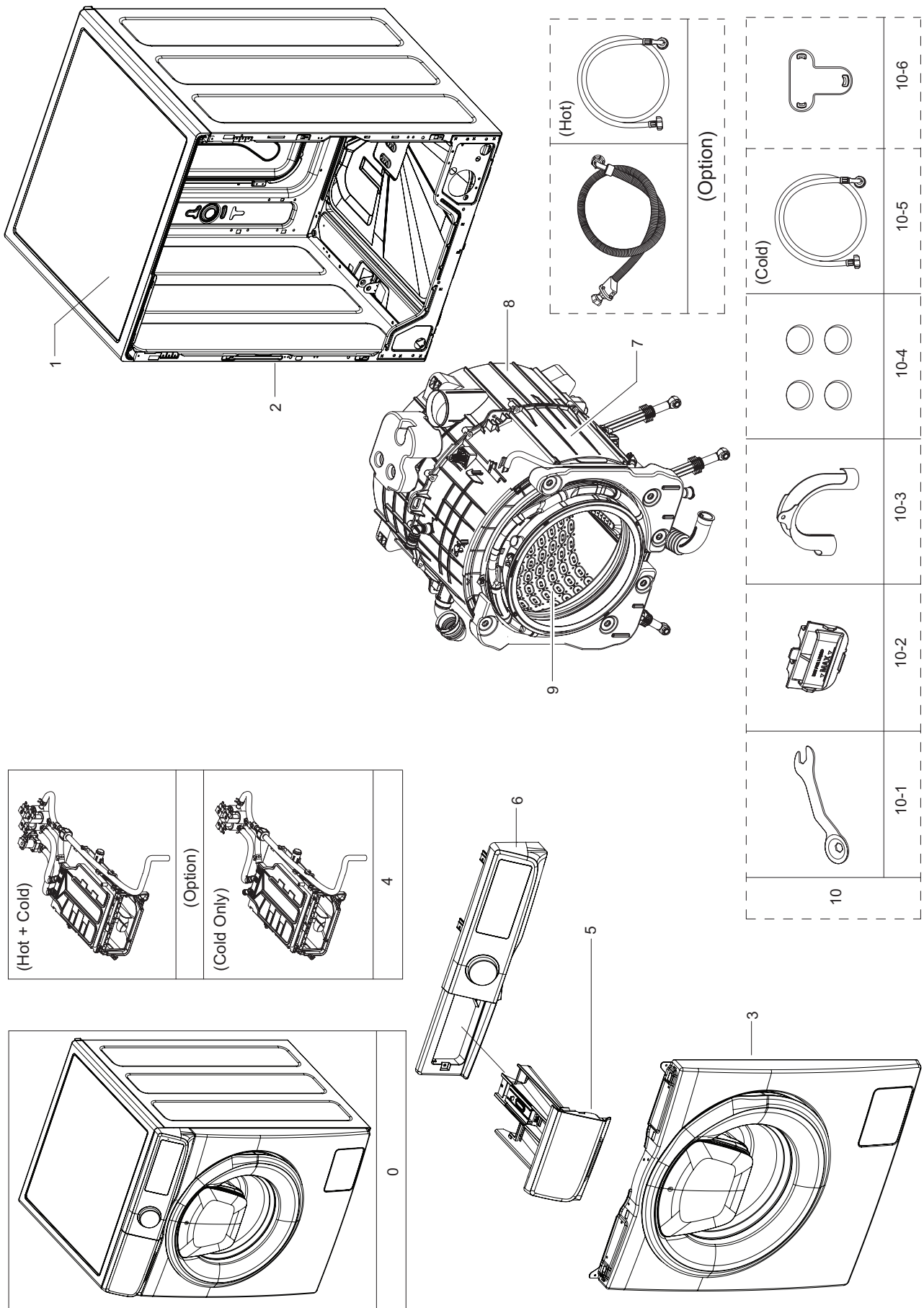


1. MAIN (WW80M645OPW/EC)

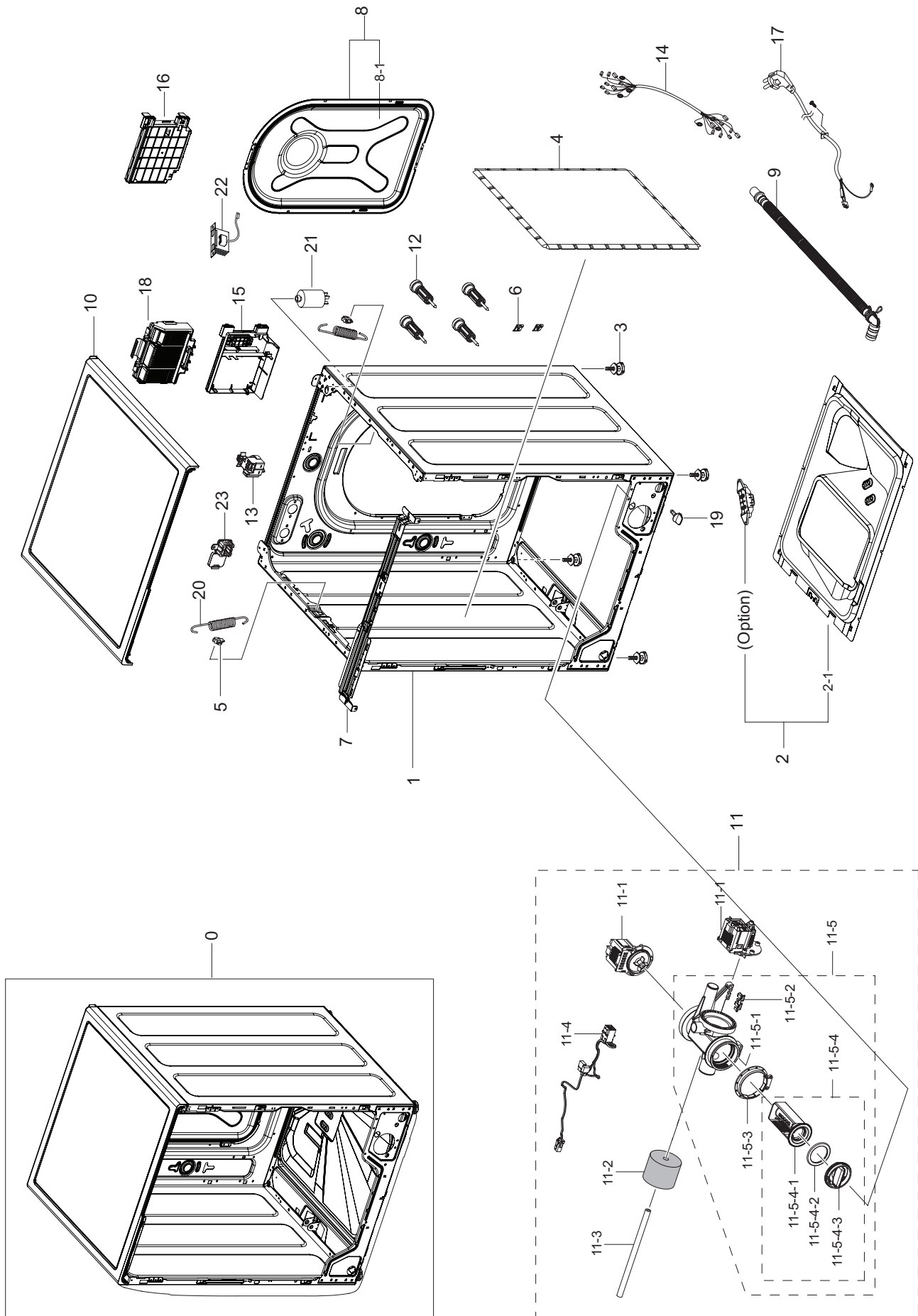


MODEL CODE (WW80M645OPW/EC)

Service Bom (SA: SERVICE AVAILABLE, SNA: SERVICE NOT AVAILABLE)

Drawing No.	Code No.	Description	Specification	QTY	Un	SA/SNA
0	-	WW80M645OPW/EC	-	1	PC	SNA
1	DC97-18680G	ASSY COVER TOP	DDPD,WW80M645OPW/EC,DA WH	1	PC	SA
2	DC97-19490F	ASSY PAINT FRAME	WW6800M,WW90M645OPW/EU	1	PC	SA
3	-	FRAME FRONT & DOOR	-	1	-	-
4	DC97-18573C	ASSY HOUSING DRAWER	WW6000,8kg/9kg	1	PC	SA
5	DC97-20492F	ASSY DRAWER	WW6800M,WW80M645OPW/EU,DA WH	1	PC	SA
6	-	ASSY PANEL CONTROL & KNOB ENCODER	-	1	-	-
7	DC97-20524A	ASSY SEMI TUB FRONT	WW6800M	1	PC	SNA
8	DC97-20522A	ASSY SEMI TUB BACK	WW6800M	1	PC	SA
9	DC97-20511B	ASSY DRUM	WW8800M	1	PC	SA
10	DC98-02101A	ASSY ACCESSORY	WW3000~6000J,WW70J5210GW/	1	PC	SNA
10-1	DC60-00104A	FASTENER-BOLT	ALL,CR-SPCC,2.0,L113.5	1	PC	SA
10-2	DC61-03510A	GUIDE LIQUID	WF-F500E,PP,MT43,Honesty BI	1	PC	SA
10-3	DC62-10278A	HOSE HANGER	PUMP MODEL,PP,BLACK	1	PC	SA
10-4	DC67-00307A	CAP-FIXER	WF438AAC/XAA,PP,T1.5,RECYCLE,B	4	PC	SA
10-5	DC97-16921A	ASSY HOSE WATER	WA5700J	1	PC	SC
10-6	DC67-00208B	CAP-FIXER	WF8602NHS/XFA,PP,T1.5,P535-H,B	1	PC	SA

2. ASSY FRAME & COVER PARTS (WW80M645OPW/EC)



MODEL CODE (WW80M645OPW/EC)

Service Bom (SA: SERVICE AVAILABLE, SNA: SERVICE NOT AVAILABLE)

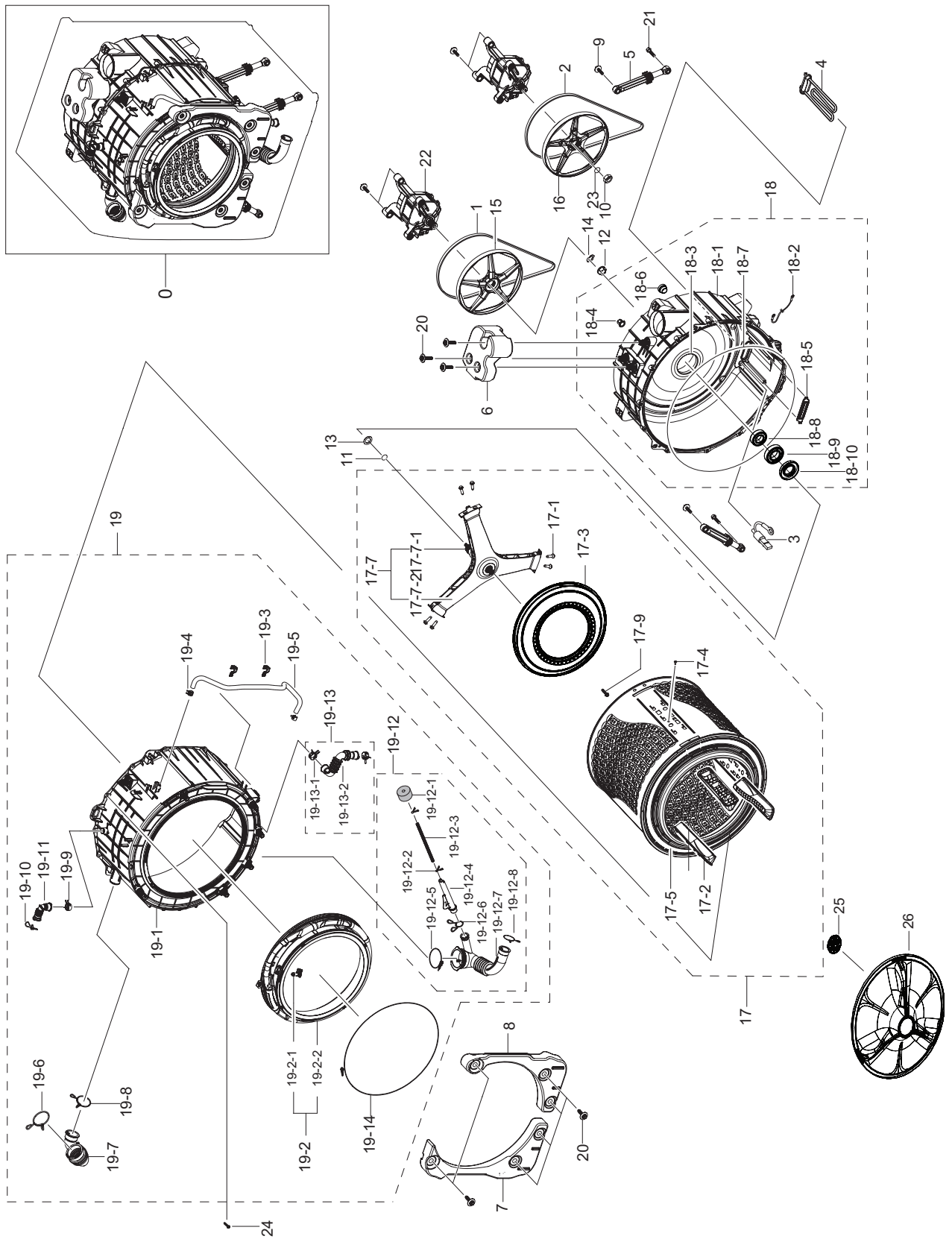
Drawing No.	Code No.	Description	Specification	QTY	Un	SA/SNA
0	-	FRAME & COVER PARTS	WW8800M	1	PC	SNA
1	DC97-19169S	ASSY FRAME	WW6800M,WW80M645OPW/EC,DA WHI	1	PC	SNA
2	DC97-14642C	ASSY PLATE BOTTOM	HEBA,WF8714GPH,GI,T0.5	1	PC	SA
2-1	DC63-00965A	COVER-BOTTOM	HEBA-PJT,GI-SGCC,T0.5,7kg	1	PC	SNA
3	DC97-00920H	ASSY LEG	-,ALL EXCEPT AUSTRALI MODEL,L33	4	PC	SA
4	DC63-00477A	ABSORBER SOUND	WF-B146NV/XEG,FELT,T15,W3	2	PC	SNA
5	DC61-02065A	GUIDE SPRING	WF448AAG/XXA,POM,T4,W24,L36	2	PC	SA
6	DC61-01901A	GUIDE FRAME FRONT	ALL MODEL,POM,T5.5,K30	2	PC	SNA
7	DC97-18808A	ASSY FRAME PLATE-UP	WW6000J,WW90J5260GS	1	PC	SNA
8	DC97-17948B	ASSY COVER BACK	AEGIS	1	PC	SA
8-1	DC63-00862C	COVER BACK	WF8600NMW,GI-SGCC,T0.35,W352,	1	PC	SA
9	DC97-02250Z	ASSY HOSE DRAIN(O)	HEBA-PJT,GRY	1	PC	SA
10	DC97-18680G	ASSY COVER TOP	DDPD,WW80M645OPW/EC,DA WH	1	PC	SA
11	DC97-15696L	ASSY PUMP DRAIN	MK-PJT,WW7800M,BUBBLE,22	1	PC	SA
11-1	DC31-00181A	MOTOR AC PUMP	B15-6A/S3019/S3032/PX2025-	2	PC	SA
11-2	DC63-10003A	SPONGE-HOSE AIR	T20,BLK	1	PC	SNA
11-3	DC67-00244M	HOSE DRAIN	AEGIS,EPDM,ID6,OD10,T2.0,L270	1	PC	SA
11-4	DC96-01567C	ASSY WIRE HARNESS	AEGIS 3- PJT,WF0702WKN	1	PC	SA
11-5	DC97-19914A	ASSY CASE FILTER	BUBBLE	1	PC	SA
11-5-1	DC61-02271B	CASE PUMP	WF0804Y8E/XEF,PP,T2.5,W153.6,L	1	PC	SA
11-5-2	DC63-00905A	CUSHION PUMP	WF8802DPF/XET,NBR,-,W37.6,L	1	PC	SNA
11-5-3	DC69-01128A	PACKING-PUMP	WF8804DP,IIR,BUTYL,T2.5,HEB	1	PC	SA
11-5-4	DC97-15695C	ASSY FILTER	Heba,WF9904CWN1	1	PC	SA
11-5-4-1	DC63-00998A	FILTER PUMP	SCOUT-PJT,PP,-,NEAT WHITE,BU	1	PC	SA
11-5-4-2	DC73-00022A	SEAL PACKING	SEW-HVR149ATA,EPDM,BLK,-	1	PC	SA
11-5-4-3	DC64-02783A	HANDLE FILTER	WF350ANW/XAA,PP,T2.3,W63.8	1	PC	SA
12	DC97-14653C	ASSY FIXER TUB	SCOUT,WF0804Y8E/XEF	4	PC	SA
13	DC96-01703G	SENSOR PRESSURE	Air,5,-,400mmH20,-	1	PC	SA
14	DC93-00728B	ASSY WIRE HARNESS-MAIN	DRUM-M,WW90M645OP	1	PC	SA
15	DC92-02140A	ASSY PCB MAIN	FWM_INV,MK_PJT,160*121,Y,W	1	PC	SA
16	DC92-02139A	ASSY KIT	FWM_INV,MK_PJT,Washer,220V,Stan	1	PC	SA
17	DC96-00146A	CBF-POWER CORD	AT,EUROPE,EU3F,Gray,1500,	1	PC	SA
18	DC63-02152A	COVER PCB	MK,ABS,T2.5,5VA,NATURAL,VE-085	2	PC	SNA

MODEL CODE (WW80M645OPW/EC)

Service Bom (**SA**: SERVICE AVAILABLE, **SNA**: SERVICE NOT AVAILABLE)

Drawing No.	Code No.	Description	Specification	QTY	Un	SA/SNA
19	DC61-10673C	CAP DRAIN	WF1802XEY/XSC,FRPP,BLACK	1	PC	SA
20	DC61-02029D	SPRING HANGER	WW6800M,HSWR,3.5mm,OD26,L1	2	PC	SNA
21	DC29-00015G	FILTER EMI	LFT-215G,300Khz,VDE, KS,6.5mH	1	PC	SA
22	DC26-00009P	COIL HARMONIC	8.5mH,±15%,EI 48mm S-30NA,	1	PC	SA

3. ASSY TUB & DRUM PARTS (WW80M645OPW/EC)



MODEL CODE (WW80M645OPW/EC)

Service Bom (SA: SERVICE AVAILABLE, SNA: SERVICE NOT AVAILABLE)

Drawing No.	Code No.	Description	Specification	QTY	Un	SA/SNA
1	6602-003993	BELT-TIMING GEAR	5J,RUBBER,T3.2,W11.7,L1	1	PC	SNA
2	6602-003999	BELT-TIMING GEAR	5J,RUBBER,T3.2,W11.7,L1	1	PC	SNA
3	DC32-00010C	THERMISTOR	WASHER,-10~100,5,5,3.243k ± 2	1	PC	SA
4	DC47-00033B	HEATER WASH	AC230V,2000W,SUS316L,728mm,N	1	PC	SA
5	DC66-00531C	DAMPER SHOCK	HEBA,PP,WHITE,80±20N,LONG	2	PC	SA
6	DC67-00943A	WEIGHT BALANCER-UP	WW7800M,CONCRETE,NATU	1	PC	SNA
7	DC67-00944A	WEIGHT BALANCER-LEFT	WW7800M,CONCRETE,T1	1	PC	SNA
8	DC67-00945A	WEIGHT BALANCER-RIGHT	WW7800M,CONCRETE,T	1	PC	SNA
9	DC97-14263A	ASSY BOLT	MOTOR/BOLT(M8)+WASHER(OD27.5),	6	PC	SA
10	6021-001588	NUT-HEXAGON	1C,M10x1.5,ZPC(WHT),SM20C,NY	1	PC	SA
11	6044-001781	RING-OG	ID33,OD36.4,T1.8,BLK,NBR	1	PC	SNA
12	DC60-00128A	NUT SPIN	DUAL DRIVE,ZNDC,11mm,M28*1.5	1	PC	SNA
13	DC60-00132A	WASHER-SPRING	STS304,T0.5,ID35.2,OD39.2,	1	PC	SNA
14	DC60-60011B	WASHER WAVE	STS301,ID28.7,OD42,T0.8,ACP	1	PC	SA
15	DC66-00936A	PULLEY MOTOR	DUAL DRIVE,ALDC,NATURAL,OD2	1	PC	SNA
16	DC66-00937A	PULLEY MOTOR	DUAL DRIVE,ALDC,NATURAL,OD2	1	PC	SNA
17	DC97-20511B	ASSY DRUM	WW8800M	1	PC	SA
17-1	DC60-40137A	BOLT HEX	MARS-PJT,STS430,M8,P1.25,L30,HE	6	PC	SA
17-2	DC66-00938A	DRUM LIFTER	DD-PJT,PP,DARK HOLDER GRAY	3	PC	SNA
17-3	DC66-00943B	DRUM BACK	WW8800M,STS430,T0.5	1	PC	SNA
17-4	DC66-00949B	DRUM WRAPPER	WW6800M,STS430,T0.6	1	PC	SNA
17-5	DC66-00950A	DRUM FRONT	WW6800M,STS430J1L,503,T0.5	1	PC	SNA
17-7	DC97-20418B	ASSY FLANGE SHAFT	WW8800M	1	PC	SNA
17-7-1	DC66-00939A	SHAFT WASHING	DUAL DRIVE,STS410,OD15.0,N	1	PC	SNA
17-7-2	DC97-20419B	ASSY FLANGE SHAFT-SEMI	WW8800M	1	PC	SNA
17-9	DC60-40133A	BOLT PULSATOR	AUTOMATIC 8-10kg,STS430,L2	1	PC	SNA
18	DC97-20522A	ASSY SEMI TUB BACK	WW6800M	1	PC	SA
18-1	DC61-04515A	TUB BACK	WW7/6800M,FRPP,NATURAL	1	PC	SNA
18-2	DC96-01327D	ASSY WIRE HARNESS-EARTH	DRUM-M,WF1124ZAQ	1	PC	SA
18-3	DC97-20428A	ASSY HOUSING BEARING	WW7/6800M,1400RPM	1	PC	SNA
18-4	DC61-01088A	BUSH MOTOR	Q1636,PA,NTR,PA66,ID16.2,OD20	4	PC	SNA
18-5	DC61-02664A	BRACKET HEATER	HEBA,STS430,T0.6	1	PC	SA
18-6	DC69-00824A	PACKING-THERMISTOR	GW-PJT,EPDM,-,-,W17,H	1	PC	SNA

MODEL CODE (WW80M645OPW/EC)

Service Bom (SA: SERVICE AVAILABLE, SNA: SERVICE NOT AVAILABLE)

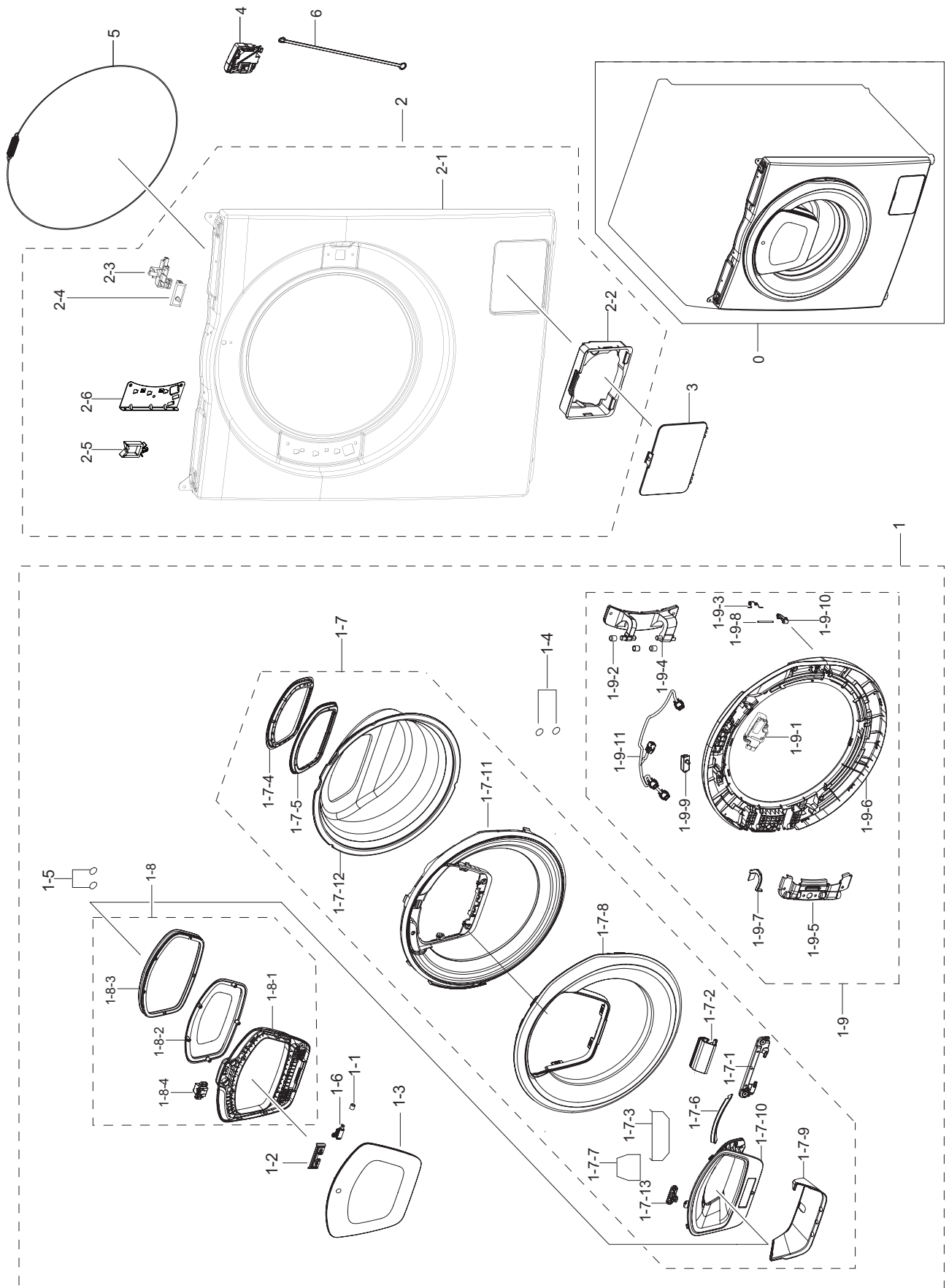
Drawing No.	Code No.	Description	Specification	QTY	Un	SA/SNA
18-7	DC69-01769A	PACKING-TUB	ARNO,EPDM,EPDM,T5.5,L1720,BL	1	PC	SA
18-8	6601-000148	BEARING BALL	6206ZZ,ID30,OD62,L16,STB2	1	PC	SNA
18-9	6601-002637	BEARING BALL	6207ZZ,ID35,OD72,GCr15	1	PC	SA
18-10	DC62-00156A	SEAL OIL	TS85-PJT,NBR,BLK	1	PC	SA
19	DC97-20524A	ASSY SEMI TUB FRONT	WW6800M	1	PC	SNA
19-1	DC61-04513A	TUB FRONT	WW7800M,FRPP,T3.5,WHITE,8/9kg,	1	PC	SA
19-2	DC97-20515A	ASSY DIAPHRAGM	WW6800M	1	PC	SA
19-2-1	DC62-00349A	NOZZLE DIAPHRAGM	WF457ARGSGR,PP,OD11,GRA	1	PC	SA
19-2-2	DC64-03690A	DOOR DIAPHRAGM	WW6800N,EPDM,T1.5,EPDM,LI	1	PC	SA
19-3	DC61-02646A	GUIDE HOSE	WF0804Y8E,PP,T2.0,W9.8,L36.6,	2	PC	SNA
19-4	DC65-60118H	CLIP RING	HSWR-SWRH,SEW-740DR,PI15	2	PC	SNA
19-5	DC67-00606A	HOSE AIR	AEGIS 2A COMBO BUBBLE-PJT,EPDM,	1	PC	SA
19-6	DC72-00001G	CLIP RING	HEBA-PJT,HSWR,T3.0,ID49.5,W18,	1	PC	SNA
19-7	DC67-00674A	HOSE DRAWER TUB	SEINE COMBO,EPDM,ID34.9,	1	PC	SA
19-8	DC65-60118R	CLIP RING	AEGIS-PJT,HSWR-SWRH,T3.0,ID37	1	PC	SA
19-9	DC65-60125B	CLIP RING	-,HSWR,-,-,-,-,-,-,-,-,-,-	1	PC	SNA
19-10	DC65-60118J	CLIP RING	HSWR,PI2.0/ID23	1	PC	SNA
19-11	DC67-00354A	HOSE AIR	HEBA PJT,EPDM,BLACK,18.3g	1	PC	SA
19-12	DC97-14637R	ASSY HOSE PRESSURE	600mmH20,No PBA,Hook	1	PC	SNA
19-12-1	DC63-10003H	ABSORBER SPONGE	PU FOAM,H35,BLACK	1	PC	SNA
19-12-2	DC61-70029C	CLIP RING	SEW-HW125,HSWR,WHITE	2	PC	SNA
19-12-3	DC67-00230B	HOSE WATER	WF8800,TPE,ID4.5,T1.75,L679,B	1	PC	SC
19-12-4	DC67-00297A	HOSE JOINT AIR	HEBA&Aegis-PJT,PP,L167.3,	1	PC	SNA
19-12-5	DC65-00021A	CLAMPER HOSE-JOINT	HEBA PJT,HSWR-SWRH,ID	1	PC	SNA
19-12-6	DC61-00219B	CLAMPER HOSE	SK5,WLSL1100A,ID24 OD26.4	1	PC	SNA
19-12-7	DC67-00335A	HOSE FILTER TUB	AEGIS-PJT,EPDM,ID64.5	1	PC	SA
19-12-8	DC72-00001H	CLIP RING	HEBA-PJT,HSWR,WHITE	1	PC	SNA
19-13	DC97-17515B	ASSY HOSE AIR	MK-PJT,6800M/7800M,BUBBLE	1	PC	SA
19-13-1	DC61-00158A	CLAMPER HOSE	SW65ASP,SK5,ID23,T0.8,-	2	PC	SA
19-13-2	DC67-00526A	HOSE AIR TUB	AEGIS3-PJT,EPDM,T2.8,BLK	1	PC	SA
19-14	DC91-12077G	ASSY CLAMP DIAPHRAGM	AEGIS,WF8500NHW/YLP	1	PC	SA
20	6011-003934	BOLT-HEX	M7.6,L48,ZPC(WHT),SCM 435,WASHE	9	PC	SA
21	DC60-40144A	BOLT HEX	SM10C,L35,ZPC2(YEL),M10,ZPC2(YE	2	PC	SA

MODEL CODE (WW80M645OPW/EC)

Service Bom (**SA**: SERVICE AVAILABLE, **SNA**: SERVICE NOT AVAILABLE)

Drawing No.	Code No.	Description	Specification	QTY	Un	SA/SNA
22	DC93-00586D	ASSY MOTOR BLDC	WW7800M,WDM350FGA,F,DC31	2	PC	SNA
23	6031-002861	WASHER-SPRING	SK5,ID11.2,OD22.5,T1.25,DU	1	PC	SNA
24	6009-001367	BOLT-HEX	M6.5,L32,ZPC(WHT),SWRCH18A,HWH	15	PC	SNA
25	DC97-20943A	ASSY PULSATOR CAP	WW8800M.WD8800N	1	PC	SA
26	DC97-20490A	ASSY PULSATOR	WW6800N,1400RPM	1	PC	SA

4. ASSY FRAME PARTS (WW80M645OPW/EC)



MODEL CODE (WW80M645OPW/EC)

Service Bom (SA: SERVICE AVAILABLE, SNA: SERVICE NOT AVAILABLE)

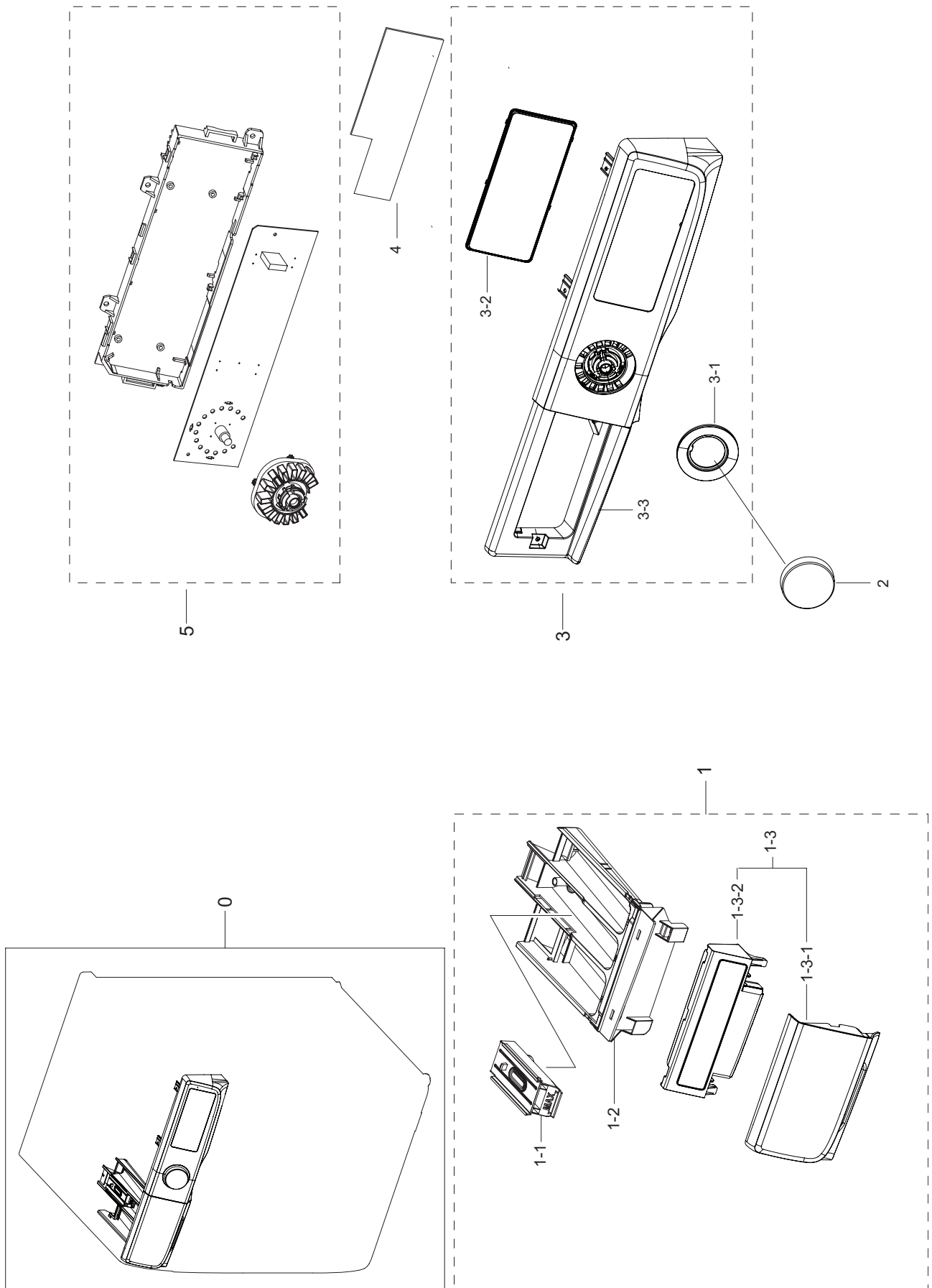
Drawing No	Code No.	Description	Specification	QTY	Un	SA/SNA
0	-	ASSY FRONT PARTS	WW6800M	1	PC	SNA
1	DC97-19293C	ASSY DOOR	SLIM VOLGA ADD IN,WW70K6210RW/	1	PC	SA
1-1	DC61-00891A	GUIDE HINGE	HAUZEN(DOM),POM,NTR(WHT),HIN	1	PC	SA
1-2	DC61-04044A	SUPPORT HINGE	WD9500JK,ALDC,T2.5	1	PC	SA
1-3	DC63-01942A	COVER DOOR	WW8500K,ABS,BL0121 / BL0150,M	1	PC	SA
1-4	DC64-03166A	INLAY-HOLDER GLASS	WD9000HK,PET,T0.25,DA	2	PC	SA
1-5	DC64-03303A	INLAY-DOOR	WD9500J,PET,T0.3,VERSAILLES G	2	PC	SA
1-6	DC66-00878A	DAMPER SHOCK-AXIS	WD9500JK,POM,NATURAL	1	PC	SA
1-7	DC97-19298A	ASSY COVER DOOR	WW6500K,WW80K6614QW/EU	1	PC	SA
1-7-1	DC61-04078A	SUPPORT HINGE	WD9500J,GI-SGCC,T1.4	1	PC	SNA
1-7-2	DC61-04133A	HINGE DOOR	ALDC,Cr plating,WW8/7/6/5500K	1	PC	SA
1-7-3	DC62-00466A	SEAL WASHER	EPDM,BLACK,EPDM FOAM,L90*W40	1	PC	SA
1-7-4	DC62-00473A	SEAL CAP GUIDE	WW8/7/6/5500K,PP,VERSAILL	1	PC	SNA
1-7-5	DC62-00475A	SEAL RUBBER	ADD WASH,SI,GY0039	1	PC	SA
1-7-6	DC62-00477B	CAP	WW6/5/4600K,PP,FC2305,VERSAILLES GRA	1	PC	SA
1-7-7	DC63-01071G	SHEET DAMPING	6500K/5500K,IIR,T5.0,BLACK	1	PC	SNA
1-7-8	DC63-01941A	COVER DOOR	WW6500K,ABS+PMMA,GENTLE BLUE,	1	PC	SNA
1-7-9	DC63-01943A	COVER HOLDER	24" ADD WASH,ABS,HB,VERSAIL	1	PC	SA
1-7-10	DC63-01945B	COVER-ADD IN	WW8/7/6/5500K,PP,VERSAILLES	1	PC	SA
1-7-11	DC63-01946C	COVER-GLASS	WW6500K,ABS,HB,VERSAILLES GR	1	PC	SNA
1-7-12	DC64-03390A	DOOR-GLASS	WW6500K,GLASS,T5.0,TRANSPAREN	1	PC	SA
1-7-13	DC66-00890A	LEVER-TIP	ZNDC,Ni Coating	1	PC	SA
1-8	DC97-19300A	ASSY HOLDER GLASS	WW7500K,WW90K7405OW/EG	1	PC	SA
1-8-1	DC61-04139A	HOLDER GLASS	WW8/7/6/5500K,PP,T3.0,VERSA	1	PC	SNA
1-8-2	DC61-04140A	GUIDE COVER	PETG,T2.0,HT,GENTLE BLUE(BL0	1	PC	SNA
1-8-3	DC62-00474A	SEAL DOOR	SI,GY0039	1	PC	SA
1-8-4	DC97-19401A	ASSY LATCH	WW8500K	1	PC	SA
1-9	DC97-19303D	ASSY HOLDER GLASS	SLIM VOLGA ADD IN,WW70	1	PC	SA
1-9-1	DC34-00025D	SWITCH DOOR LOCK	DC12V,0.35	1	PC	SA
1-9-2	DC61-00891A	GUIDE HINGE	HAUZEN(DOM),POM,NTR(WHT),HIN	3	PC	SA
1-9-3	DC61-02027A	SPRING ETC LEVER	STS304,CD1.2,L10.6	1	PC	SA
1-9-4	DC61-04131A	HINGE DOOR	WW6/5500K,ALDC,T5.0	1	PC	SA
1-9-5	DC61-04134A	BRACKET HOLDER	WW6/5500K,GI-SGCC,T1.2	1	PC	SA

MODEL CODE (WW80M645OPW/EC)

Service Bom (SA: SERVICE AVAILABLE, SNA: SERVICE NOT AVAILABLE)

Drawing No	Code No.	Description	Specification	QTY	Un	SA/SNA
1-9-6	DC61-04138C	HOLDER GLASS	WW6500K,PP,VERSAILLES GRAY,	1	PC	SNA
1-9-7	DC63-01934A	COVER HINGE	WW6/5500K,PP,T2.0,DARK HOLDE	1	PC	SNA
1-9-8	DC64-00564A	HANDLE PIN	WF602U2BKWQ/SC,STS304,NATURE	1	PC	SA
1-9-9	DC64-00828G	SWITCH DOOR	AC125/250V,1.5/0.75,1BUTTON,	1	PC	SA
1-9-10	DC66-00497C	LEVER-DOOR	WW6000J,ZNDC,T5,NI COATING	1	PC	SA
1-9-11	DC93-00638A	ASSY WIRE HARNESS-SUB	DRUM-M,SUB ADD WAS	1	PC	SA
2	DC97-20627A	ASSY FRAME FRONT	WW6800M,DA WHITE	1	PC	SA
2-1	DC61-04226D	FRAME FRONT	WW6500K,GI-SGCC,DA WHITE,T0.	1	PC	SNA
2-2	DC61-04227A	GUIDE FILTER	PP,T2.0,TB53,BLACK	1	PC	SA
2-3	DC61-04153A	CASE SWITCH DOOR	WW8/7/6/5500K,ABS,DA WH	1	PC	SNA
2-4	DC64-00828G	SWITCH DOOR	AC125/250V,1.5/0.75,1BUTTON,	1	PC	SA
2-5	DC61-00553B	CABLE CLAMP	DAWS-3NE,PA66,NTR	2	PC	SNA
2-6	DC61-04238A	BRACKET FRAME-FRONT	WW70K6210RW/LP,GI-SG	1	PC	SNA
3	DC63-01974A	COVER FILTER	ABS,T2.5,DA WHITE,WT0035	1	PC	SA
4	DC34-00026A	SWITCH DOOR LOCK	AC250V,16,SOLNOID, DOOR	1	PC	SA
5	DC91-12078E	ASSY WIRE DIAPHRAGM	AEGIS,WF8500NHW/YLP,	1	PC	SA
6	DC66-00850A	LEVER ACTUATOR	PP,T1.5,RM60C	1	PC	SNA

5. ASSY PANEL CONTROL PARTS (WW80M645OPW/EC)

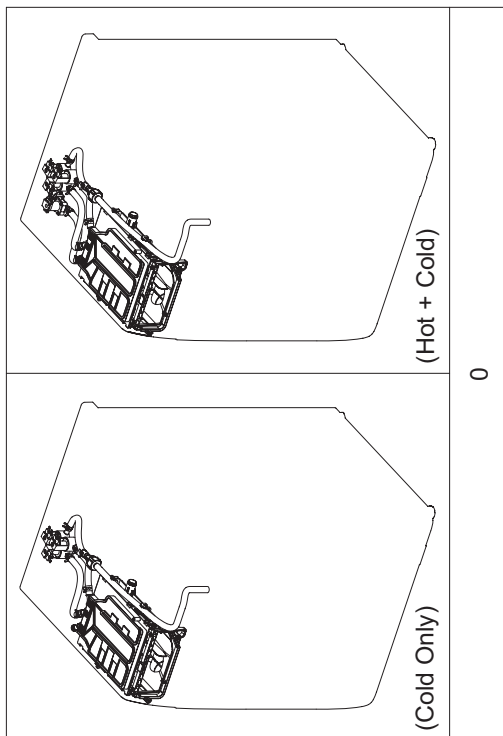
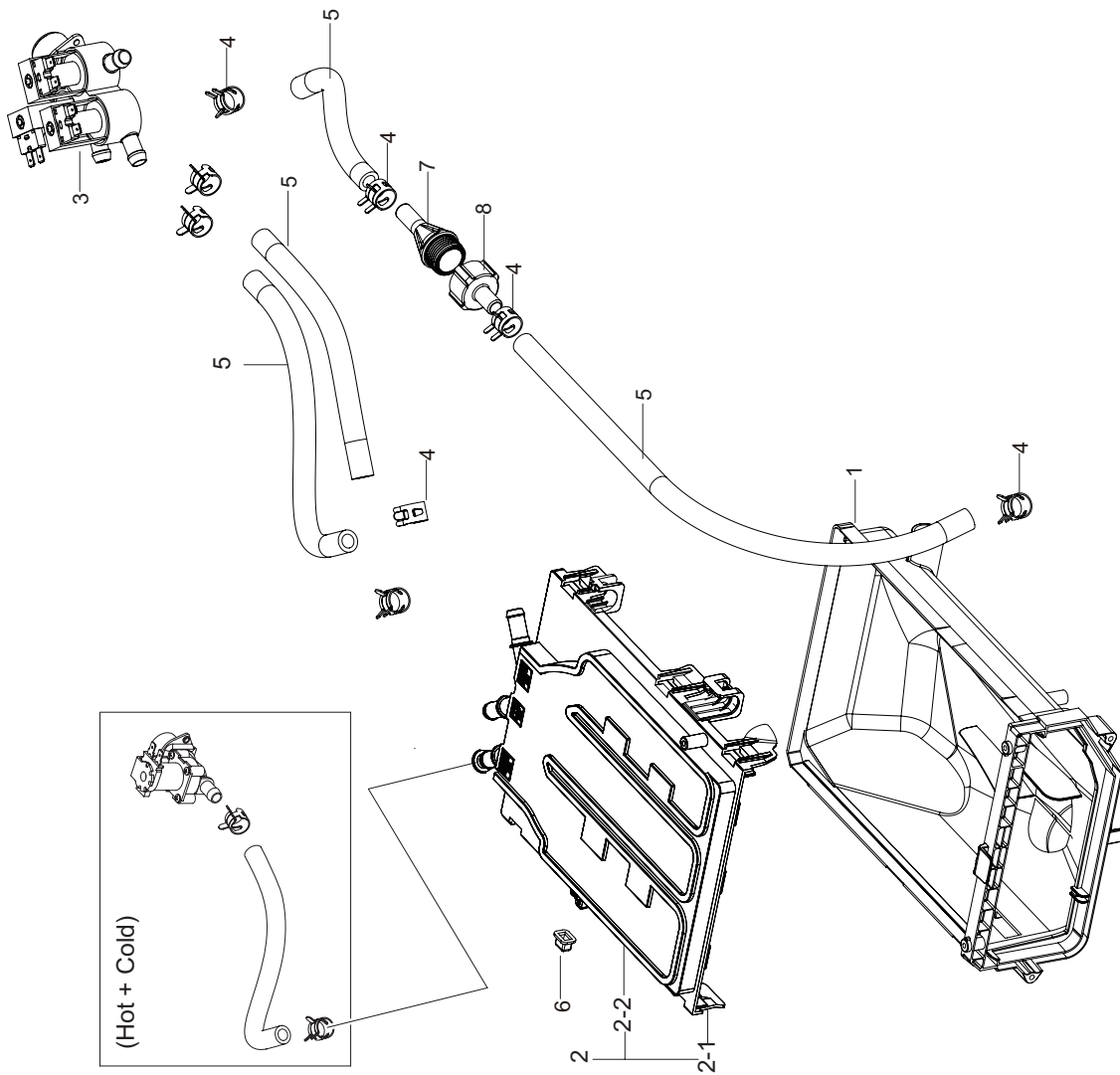


MODEL CODE (WW80M645OPW/EC)

Service Bom (SA: SERVICE AVAILABLE, SNA: SERVICE NOT AVAILABLE)

Drawing No	Code No.	Description	Specification	QTY	Un	SA/SNA
0	-	ASSY PANEL CONTROL PARTS	WW6800M	1	PC	SNA
1	DC97-20492F	ASSY DRAWER	WW6800M,WW80M645OPW/EU,DA WH	1	PC	SA
1-1	DC67-00669A	CAP RINSE	WF-F500E,PP,-,-,MT43,Honesty B	1	PC	SA
1-2	DC61-03480A	BODY DRAWER	WF-F500E,PP,DA WHITE,WT0035,	1	PC	SA
1-3	DC97-20484F	ASSY PANEL DRAWER	DDPD 8KG,WW80M645OPW/E	1	PC	SNA
1-3-1	DC64-03661A	PANEL DRAWER	WW6800N,ABS,HG-0760GP,DA WH	1	PC	SNA
1-3-2	DC64-03662A	HANDLE DRAWER	WW6800N,ABS,HG-0760GP,DA W	1	PC	SNA
2	DC64-03648A	KNOB ENCODER	WW8800M,ABS,NATURAL,MP-0160	1	PC	SA
3	DC97-20482S	ASSY PANEL CONTROL	WW6800M,WW80M645OPW/E	1	PC	SA
3-1	DC64-03663A	WINDOW ENCODER	WW6800M,ABS+PMMA,TF-0930,	1	PC	SNA
3-2	DC64-03672B	WINDOW PANEL	WW80M645OPW/EC,PMMA,FT6120,	1	PC	SNA
3-3	DC64-03660A	PANEL CONTROL	WW6800N,ABS,HG-0760GP,DA W	1	PC	SNA
4	DC92-02129B	ASSY MODULE	FWM_Touch Sensor,WW6800M,11K	1	PC	SNA
5	DC92-02138B	ASSY PCB DISPLAY	FWM_INV,MK_PJT,292*80,N	1	PC	SNA

6.ASSY DRAWER PARTS (WW80M645OPW/EC)


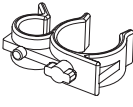

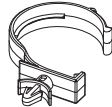

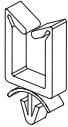



MODEL CODE (WW80M645OPW/EC)

Service Bom (SA: SERVICE AVAILABLE, SNA: SERVICE NOT AVAILABLE)

Drawing No.	Code No.	Description	Specification	QTY	Un	SA/SNA
0	DC97-18573C	ASSY HOUSING DRAWER	WW6000,8kg/9kg	1	PC	SA
1	DC61-02663A	HOUSING DRAWER-LOW	WW5000,PP,T1.8,NATURA	1	PC	SA
2	DC97-17347A	ASSY S.HOUSING DRAWER	F500E,WF80F5E5U4W	1	PC	SA
2-1	DC61-03474A	HOUSING DRAWER-MIDDLE	WF-F500E,PP,-,NATU	1	PC	SNA
2-2	DC61-03475A	HOUSING DRAWER-UP	WF-F500E,PP,-,NATURAL,	1	PC	SNA
3	DC62-00233D	VALVE WATER	AC220-240V,BLUE,#250	1	PC	SA
4	DC65-00008B	CLAMPER HOSE	SSEC-GE,SK5,-,Dacromet,T1.0	8	PC	SA
5	DC67-00051F	HOSE DRAWER	WF8502NHW,EPDM,ID9.0,OD14.5,	1.13	M	SA
6	DC67-00327A	CAP DRAWER HOOK	HEBA-PJT,EPDM,T1.1,W13.9	1	PC	SNA
7	DC62-00182B	NOZZLE CONNECTOR-UP	WF361BVBWR/A2,POM,N	1	PC	SNA
8	DC62-00183A	NOZZLE CONNECTOR-LOW	POM,NATURAL	1	PC	SNA

7. SMALL PARTS

				
1	2	3	4	5
				
6	7			

MODEL CODE: WW80M645OPW/EC

Service Bom (SA: SERVICE AVAILABLE, SNA: SERVICE NOT AVAILABLE)

NO.	Code No.	Description	Specification	QTY	Un	SA/ SNA
1	DC61-40083A	HOLDER WIRE	DAWH-3ND,PA66,NTR(PI24.4)/NYLON66	1	PC	SNA
2	DC61-00133A	CLAMPER HOSE-FIX	P1291,PP,-,HOSE+PLUG,BJ	1	PC	SA
3	DC61-00118A	CLAMP-CABLE	P1291,PA66,NATURAL,NC0001	1	PC	SA
4	DC61-02879A	HOLDER WIRE	WF8804CPA,PA,-,NATURAL,-,2110R	1	PC	SNA
5	DC60-60044B	WASHER PLAIN	PO-SPHC,T2.0	4	PC	SA
6	DC61-00553B	CABLE CLAMP	DAWS-3NE,PA66,NTR	1	PC	SNA
7	DC61-40081A	HOLDER WIRE	DAWH-2NC,PA66,-,NATURAL,-	6	PC	SA
7	DC61-40081A	HOLDER WIRE	DAWH-2NC,PA66,-,NATURAL,-	2	PC	SA

8. PARTS LIST (SCREW TYPE)

MODEL CODE (WW80M645OPW/EC)

Service Bom (SA: SERVICE AVAILABLE, SNA: SERVICE NOT AVAILABLE)

Code No.	Description	Specification	QTY	Un	SA/SNA
6002-000213	SCREW-TAPPING	TH,+ ,1,M4,L12,ZPC(WHT),SWR	3	PC	SNA
6002-001554	SCREW-TAPPING	BH,+ ,No,1,M4,L12,STS430,HE	2	PC	SNA
6009-001522	SCREW-HEX	HWH,+ ,M5,L16,PASS,STS430,FP,SE	2	PC	SA
6002-000471	SCREW-TAPPING	TH,+ ,-,1,M4,L12,PASS,STS30	6	PC	SNA
6002-001286	SCREW-TAPPING	FH,+ ,-,1,M4,L16,PASS,STS43	4	PC	SNA
6002-001554	SCREW-TAPPING	BH,+ ,No,1,M4,L12,STS430,HE	3	PC	SNA
6002-000444	SCREW-TAPPING	TH,+ ,2,M4,L14,PASS,STS430	9	PC	SNA
6002-000470	SCREW-TAPPING	TH,+ ,NO,1,M4,L10,ZPC(WHT),	2	PC	SNA
6002-000471	SCREW-TAPPING	TH,+ ,-,1,M4,L12,PASS,STS30	4	PC	SNA
6009-001522	SCREW-HEX	HWH,+ ,M5,L16,PASS,STS430,FP,SE	2	PC	SA
6002-000471	SCREW-TAPPING	TH,+ ,-,1,M4,L12,PASS,STS30	2	PC	SNA
6002-000630	SCREW-TAPPING	PH,+ ,NO,2S,M3,L8,ZPC(WHT),	7	PC	SNA
6002-000445	SCREW-TAPPING	TH,+ ,NO,2,M4,L18,PASS,STS4	4	PC	SNA
6002-000470	SCREW-TAPPING	TH,+ ,NO,1,M4,L10,ZPC(WHT),	2	PC	SNA
6002-000445	SCREW-TAPPING	TH,+ ,NO,2,M4,L18,PASS,STS4	2	PC	SNA
6002-001006	SCREW-TAPPING	TH,+ ,-,2S,M4,L12,PASS,STS4	3	PC	SNA
6003-001768	SCREW-TAPTTYPE	TH,+ ,WT,S,M4,L10,ZPC(WHT),	1	PC	SNA
6006-001174	SCREW-TAPPING	TH,+ ,WT,2S,M4,L12,ZPC(WHT)	1	PC	SNA
6002-001554	SCREW-TAPPING	BH,+ ,No,1,M4,L12,STS430,HE	2	PC	SNA
6002-000213	SCREW-TAPPING	TH,+ ,1,M4,L12,ZPC(WHT),SWR	1	PC	SNA
6002-000213	SCREW-TAPPING	TH,+ ,1,M4,L12,ZPC(WHT),SWR	1	PC	SNA
6002-000445	SCREW-TAPPING	TH,+ ,NO,2,M4,L18,PASS,STS4	6	PC	SNA
6002-001438	SCREW-TAPPING	HWH,+ ,NO,1,M5,L12,ZPC(WHT)	2	PC	SNA
6003-000226	SCREW-TAPTTYPE	TH,+ ,-,S,M4,L8,ZPC(WHT),SW	2	PC	SNA
6006-001174	SCREW-TAPPING	TH,+ ,WT,2S,M4,L12,ZPC(WHT)	3	PC	SNA
6009-001343	SCREW-SPECIAL	PH,TORX,M4,L12,ZPC(WHT),SW	1	PC	SNA
DC97-14006C	ASSY SCREW	GRIFFIN-PJT,WF9904RWE,SWRCH18	2	PC	SNA
6002-001436	SCREW-TAPPING	PH,+ ,2,M4,L18,ZPC(WHT),SWR	6	PC	SNA
DC97-15858A	ASSY SCREW	trumph-PJT,WF-F1061/YLP,SWRCH	2	PC	SNA
6002-001554	SCREW-TAPPING	BH,+ ,No,1,M4,L12,STS430,HE	1	PC	SNA
6002-000213	SCREW-TAPPING	TH,+ ,1,M4,L12,ZPC(WHT),SWR	4	PC	SNA
6003-001768	SCREW-TAPTTYPE	TH,+ ,WT,S,M4,L10,ZPC(WHT),	2	PC	SNA

MODEL CODE (WW80M645OPW/EC)Service Bom (**SA**: SERVICE AVAILABLE, **SNA**: SERVICE NOT AVAILABLE)

Code No.	Description	Specification	QTY	Un	SA/SNA
6006-001174	SCREW-TAPPING	TH,+,WT,2S,M4,L12,ZPC(WHT)	5	PC	SNA
6002-001327	SCREW-TAPPING	PWH,+,1,M4,L12,ZPC(WHT),SW	6	PC	SNA
6006-001174	SCREW-TAPPING	TH,+,WT,2S,M4,L12,ZPC(WHT)	2	PC	SNA
DE60-10080A	SCREW-TAPPING	PWH,+,-,2S,M5,L9,-,SWRCH18	2	PC	SNA