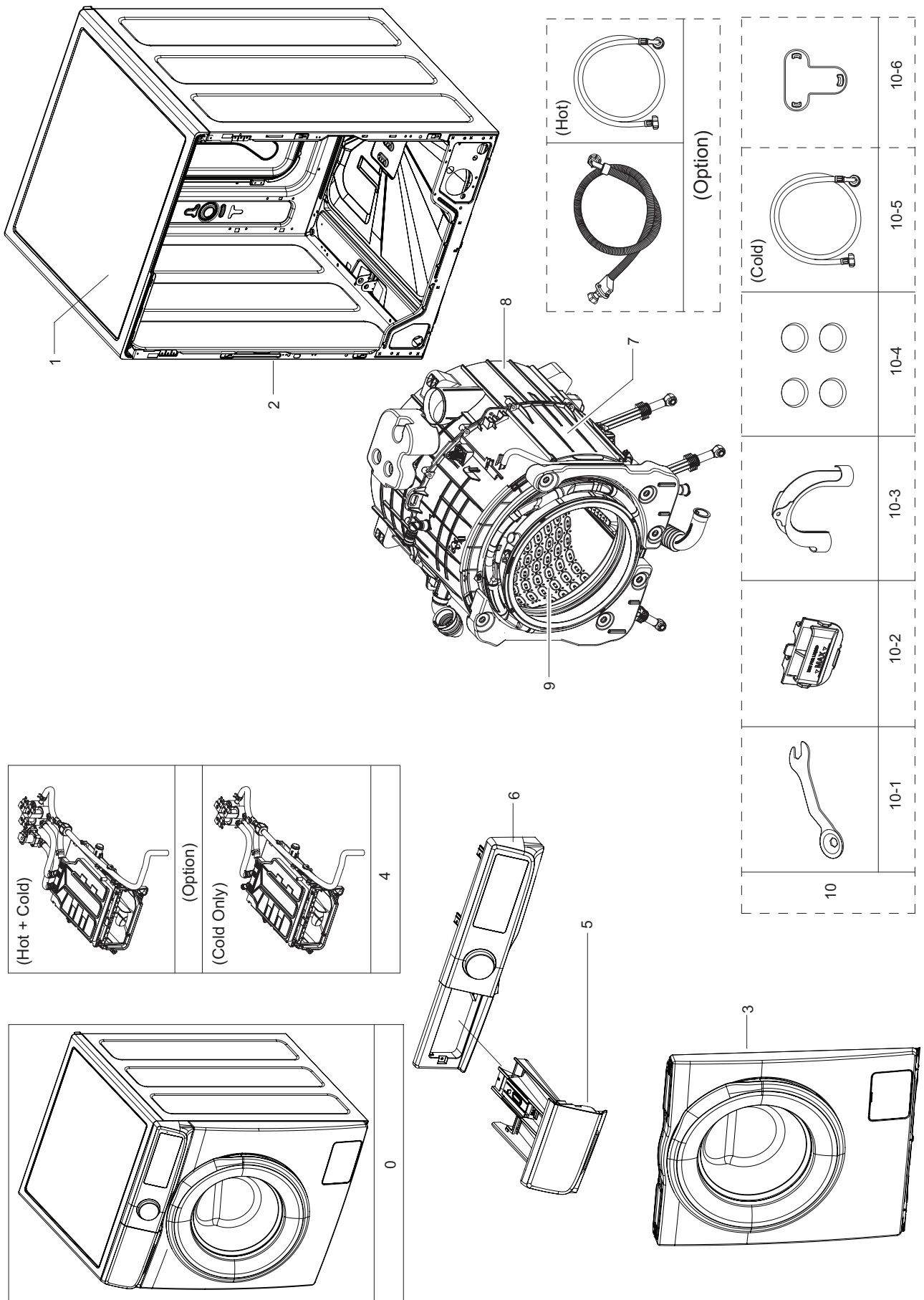


# 1. MAIN (WW80M644OBW/LV)

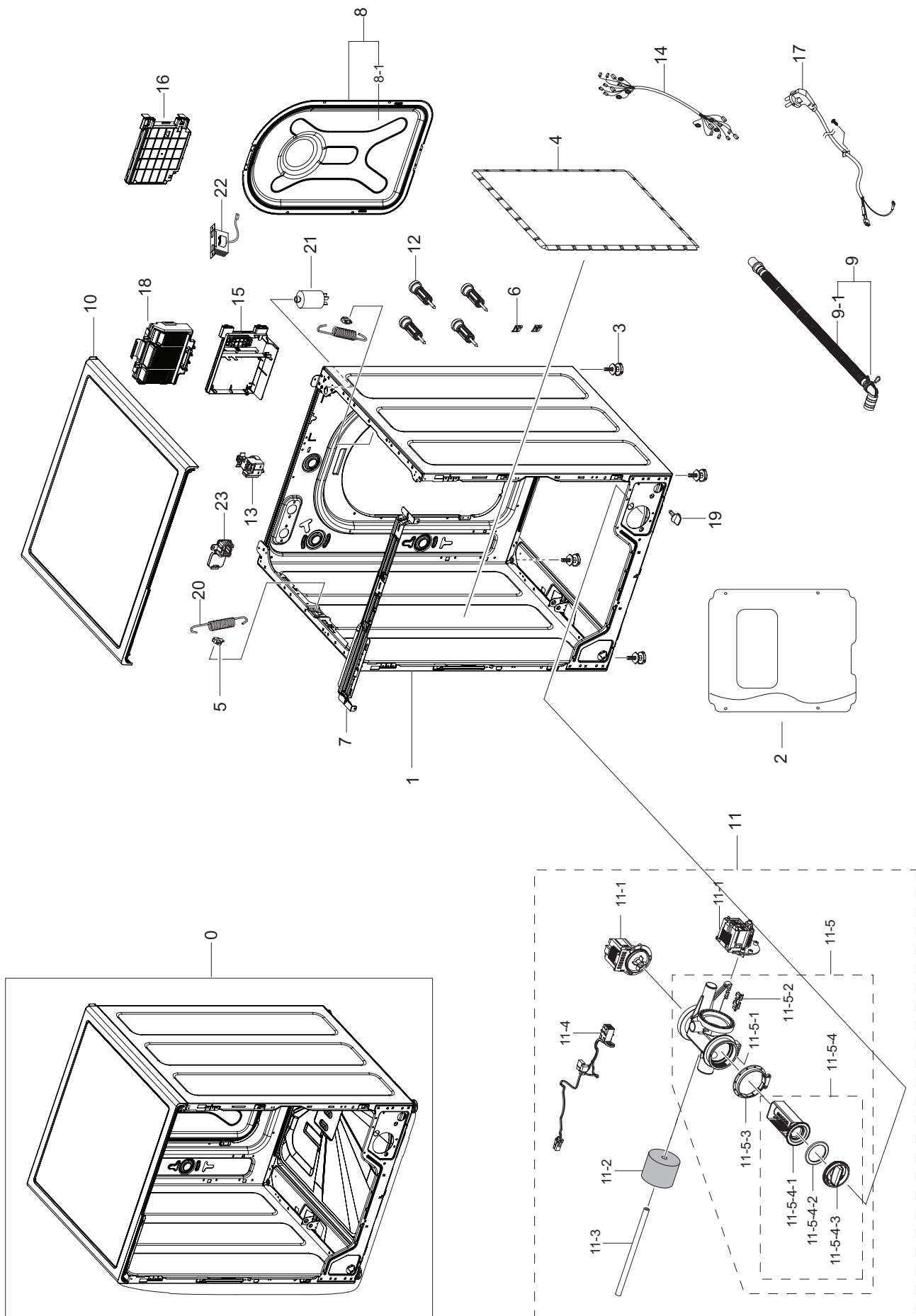


## MODEL CODE (WW80M644OBW/LV )

Service Bom (SA: SERVICE AVAILABLE, SNA: SERVICE NOT AVAILABLE)

| Drawing No. | Code No.    | Description                       | Specification                  | QTY | Un | SA/SNA |
|-------------|-------------|-----------------------------------|--------------------------------|-----|----|--------|
| 0           | -           | WW80M644OBW/LV                    | -                              | 1   | PC | SNA    |
| 1           | DC97-18680P | ASSY COVER TOP                    | WW7800M 1600RPM,WW90M76NO      | 1   | PC | SA     |
| 2           | DC97-19490F | ASSY PAINT FRAME                  | WW6800M,WW90M645OPW/EU         | 1   | PC | SA     |
| 3           | -           | FRAME FRONT & DOOR                | -                              | 1   | -  | -      |
| 4           | DC97-18573C | ASSY HOUSING DRAWER               | WW6000,8kg/9kg                 | 1   | PC | SA     |
| 5           | DC97-20492F | ASSY DRAWER                       | WW6800M,WW80M645OPW/EU,DA WH   | 1   | PC | SA     |
| 6           | -           | ASSY PANEL CONTROL & KNOB ENCODER | -                              | 1   | -  | -      |
| 7           | DC97-20524A | ASSY SEMI TUB FRONT               | WW6800M                        | 1   | PC | SA     |
| 8           | DC97-20522A | ASSY SEMI TUB BACK                | WW6800M                        | 1   | PC | SA     |
| 9           | DC97-20511B | ASSY DRUM                         | WW8800M                        | 1   | PC | SA     |
| 10          | DC98-03487A | ASSY ACCESSORY                    | WW6800M NON ADD WASH,ASSY      | 1   | PC | SNA    |
| 10-1        | DC60-00104A | FASTENER-BOLT                     | ALL,CR-SPCC,2.0,L113.5         | 1   | PC | SA     |
| 10-2        | DC61-03510A | GUIDE LIQUID                      | WF-F500E,PP,MT43,Honesty BI    | 1   | PC | SA     |
| 10-3        | DC62-10278A | HOSE HANGER                       | PUMP MODEL,PP,BLACK            | 1   | PC | SA     |
| 10-4        | DC67-00307A | CAP-FIXER                         | WF438AAC/XAA,PP,T1.5,RECYCLE,B | 4   | PC | SA     |
| 10-5        | DC97-16921A | ASSY HOSE WATER                   | WA5700J                        | 1   | PC | SC     |
| 10-6        | DC67-00208B | CAP-FIXER                         | WF8602NHS/XFA,PP,T1.5,P535-H,B | 1   | PC | SA     |

## 2. ASSY FRAME & COVER PARTS (WW80M644OBW/LV )



## MODEL CODE (WW80M644OBW/LV )

Service Bom (SA: SERVICE AVAILABLE, SNA: SERVICE NOT AVAILABLE)

| Drawing No. | Code No.    | Description            | Specification                   | QTY | Un | SA/SNA |
|-------------|-------------|------------------------|---------------------------------|-----|----|--------|
| 0           | -           | FRAME & COVER PARTS    | WW8800M                         | 1   | PC | SNA    |
| 1           | DC97-19169S | ASSY FRAME             | WW6800M,WW80M644OBW/LV,DA WHI   | 1   | PC | SNA    |
| 2           | DC64-03767A | SHUTTER                | WW6800M,PP,WHITE                | 1   | PC | SA     |
| 3           | DC97-00920H | ASSY LEG               | -,ALL EXCEPT AUSTRALI MODEL,L33 | 4   | PC | SA     |
| 4           | DC63-00477A | ABSORBER SOUND         | WF-B146NV/XEG,FELT,T15,W3       | 2   | PC | SNA    |
| 5           | DC61-02065A | GUIDE SPRING           | WF448AAG/XXA,POM,T4,W24,L36     | 2   | PC | SA     |
| 6           | DC61-01901A | GUIDE FRAME FRONT      | ALL MODEL,POM,T5.5,K30          | 2   | PC | SNA    |
| 7           | DC97-18808A | ASSY FRAME PLATE-UP    | WW6000J,WW90J5260GS             | 1   | PC | SA     |
| 8           | DC97-17948D | ASSY COVER BACK        | WW7800M,WW90M74FNOM/EF          | 1   | PC | SA     |
| 8-1         | DC63-00862C | COVER BACK             | WF8600NMW,GI-SGCC,T0.35,W352,   | 1   | PC | SA     |
| 9           | DC97-20913B | ASSY HOSE DRAIN(O)     | Heba,1870,ID20.5                | 1   | PC | SA     |
| 9-1         | DC67-00992A | HOSE PUMP              | Heba,PP,ID20.5,T1,LIGHT GRAY    | 1   | PC | SA     |
| 10          | DC97-18680P | ASSY COVER TOP         | WW7800M 1600RPM,WW90M76NO       | 1   | PC | SA     |
| 11          | DC97-15696L | ASSY PUMP DRAIN        | MK-PJT,WW7800M,BUBBLE,22        | 1   | PC | SA     |
| 11-1        | DC31-00181A | MOTOR AC PUMP          | B15-6A/S3019/S3032/PX2025-      | 2   | PC | SA     |
| 11-2        | DC63-10003A | SPONGE-HOSE AIR        | T20,BLK                         | 1   | PC | SNA    |
| 11-3        | DC67-00244M | HOSE DRAIN             | AEGIS,EPDM,ID6,OD10,T2.0,L270   | 1   | PC | SA     |
| 11-4        | DC96-01567C | ASSY WIRE HARNESS      | AEGIS 3- PJT,WF0702WKN          | 1   | PC | SA     |
| 11-5        | DC97-19914A | ASSY CASE FILTER       | BUBBLE                          | 1   | PC | SA     |
| 11-5-1      | DC61-02271B | CASE PUMP              | WF0804Y8E/XEF,PP,T2.5,W153.6,L  | 1   | PC | SA     |
| 11-5-2      | DC63-00905A | CUSHION PUMP           | WF8802DPF/XET,NBR,-,W37.6,L     | 1   | PC | SNA    |
| 11-5-3      | DC69-01128A | PACKING-PUMP           | WF8804DP,IIR,BUTYL,T2.5,HEB     | 1   | PC | SA     |
| 11-5-4      | DC97-15695C | ASSY FILTER            | Heba,WF9904CWN1                 | 1   | PC | SA     |
| 11-5-4-1    | DC63-00998A | FILTER PUMP            | SCOUT-PJT,PP,-,NEAT WHITE,BU    | 1   | PC | SA     |
| 11-5-4-2    | DC73-00022A | SEAL PACKING           | SEW-HVR149ATA,EPDM,BLK,-        | 1   | PC | SA     |
| 11-5-4-3    | DC64-02783A | HANDLE FILTER          | WF350ANW/XAA,PP,T2.3,W63.8      | 1   | PC | SA     |
| 12          | DC97-14653C | ASSY FIXER TUB         | SCOUT,WF0804Y8E/XEF             | 4   | PC | SA     |
| 13          | DC96-01703G | SENSOR PRESSURE        | Air,5,-,400mmH20,-              | 1   | PC | SA     |
| 14          | DC93-00728H | ASSY WIRE HARNESS-MAIN | DRUM-M,WW90M641OB               | 1   | PC | SA     |
| 15          | DC92-02140B | ASSY PCB MAIN          | FWM_INV,MK_PJT,Y,Washer,Su      | 1   | PC | SA     |
| 16          | DC92-02139A | ASSY KIT               | FWM_INV,MK_PJT,Washer,220V,Stan | 1   | PC | SA     |
| 17          | DC96-00146A | POWER CORD-AT          | H05VV-F 3x1.5mm2,GRY,EU3F,      | 1   | PC | SA     |
| 18          | DC63-02152A | COVER PCB              | MK,ABS,T2.5,5VA,NATURAL,VE-085  | 2   | PC | SNA    |

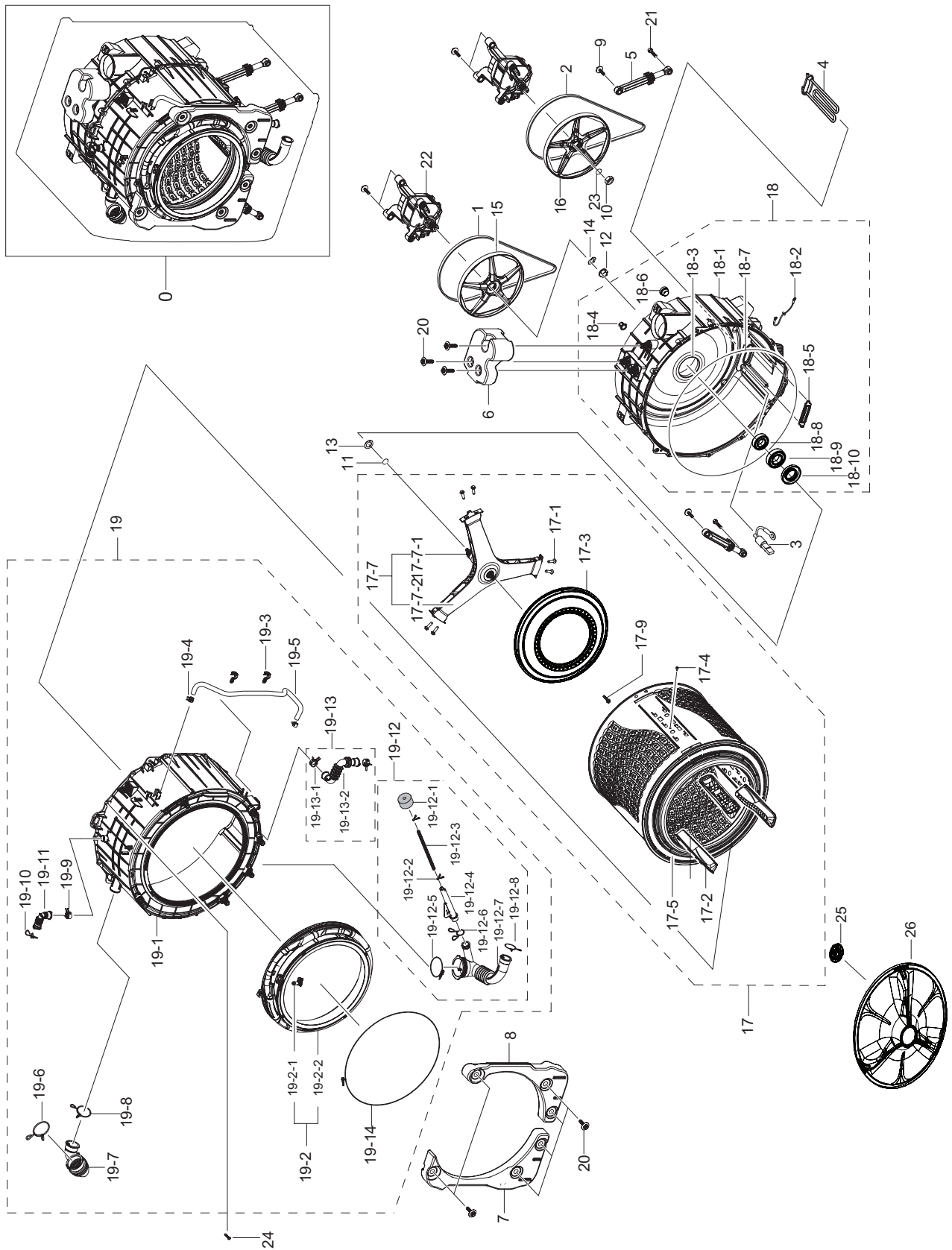
---

## MODEL CODE (WW80M644OBW/LV )

Service Bom (**SA**: SERVICE AVAILABLE, **SNA**: SERVICE NOT AVAILABLE)

| Drawing No. | Code No.    | Description   | Specification                 | QTY | Un | SA/SNA |
|-------------|-------------|---------------|-------------------------------|-----|----|--------|
| 19          | DC61-10673C | CAP DRAIN     | WF1802XEY/XSC,FRPP,BLACK      | 1   | PC | SA     |
| 20          | DC61-02029D | SPRING HANGER | WW6800M,HSWR,3.5mm,OD26,L1    | 2   | PC | SA     |
| 21          | DC29-00015G | FILTER EMI    | LFT-215G,300Khz,VDE, KS,6.5mH | 1   | PC | SA     |
| 22          | DC26-00009P | COIL HARMONIC | 8.5mH,±15%,EI 48mm S-30NA,    | 1   | PC | SA     |

### 3. ASSY TUB & DRUM PARTS (WW80M644OBW/LV )



## MODEL CODE (WW80M644OBW/LV)

Service Bom (SA: SERVICE AVAILABLE, SNA: SERVICE NOT AVAILABLE)

| Drawing No. | Code No.    | Description             | Specification                   | QTY | Un | SA/SNA |
|-------------|-------------|-------------------------|---------------------------------|-----|----|--------|
| 1           | 6602-003993 | BELT-TIMING GEAR        | 5J,RUBBER,T3.2,W11.7,L1         | 1   | PC | SNA    |
| 2           | 6602-003999 | BELT-TIMING GEAR        | 5J,RUBBER,T3.2,W11.7,L1         | 1   | PC | SNA    |
| 3           | DC32-00010C | THERMISTOR              | WASHER,-10~100,5,5,3.243k ± 2   | 1   | PC | SA     |
| 4           | DC47-00033A | HEATER-WASH             | AC230V,Double Fuse (167□, Cu    | 1   | PC | SC     |
| 5           | DC66-00531C | DAMPER SHOCK            | HEBA,PP,WHITE,80±20N,LONG       | 2   | PC | SA     |
| 6           | DC67-00943A | WEIGHT BALANCER-UP      | WW7800M,CONCRETE,NATU           | 1   | PC | SA     |
| 7           | DC67-00944A | WEIGHT BALANCER-LEFT    | WW7800M,CONCRETE,T1             | 1   | PC | SA     |
| 8           | DC67-00945A | WEIGHT BALANCER-RIGHT   | WW7800M,CONCRETE,T              | 1   | PC | SA     |
| 9           | DC97-14263A | ASSY BOLT               | MOTOR/BOLT(M8)+WASHER(OD27.5),  | 6   | PC | SA     |
| 10          | 6021-001588 | NUT-HEXAGON             | 1C,M10x1.5,ZPC(WHT),SM20C,NY    | 1   | PC | SA     |
| 11          | 6044-001781 | RING-OG                 | ID33,OD36.4,T1.8,BLK,NBR        | 1   | PC | SA     |
| 12          | DC60-00128A | NUT SPIN                | DUAL DRIVE,ZNDC,11mm,M28*1.5    | 1   | PC | SNA    |
| 13          | DC60-00132A | WASHER-SPRING           | STS304,T0.5,ID35.2,OD39.2,      | 1   | PC | SA     |
| 14          | DC60-60011B | WASHER WAVE             | STS301,ID28.7,OD42,T0.8,ACP     | 1   | PC | SA     |
| 15          | DC66-00936A | PULLEY MOTOR            | DUAL DRIVE,ALDC,NATURAL,OD2     | 1   | PC | SNA    |
| 16          | DC66-00937A | PULLEY MOTOR            | DUAL DRIVE,ALDC,NATURAL,OD2     | 1   | PC | SNA    |
| 17          | DC97-20511B | ASSY DRUM               | WW8800M                         | 1   | PC | SA     |
| 17-1        | DC60-40137A | BOLT HEX                | MARS-PJT,STS430,M8,P1.25,L30,HE | 6   | PC | SA     |
| 17-2        | DC66-00938A | DRUM LIFTER             | DD-PJT,PP,DARK HOLDER GRAY      | 3   | PC | SNA    |
| 17-3        | DC66-00943B | DRUM BACK               | WW8800M,STS430,T0.5             | 1   | PC | SNA    |
| 17-4        | DC66-00949C | DRUM WRAPPER            | WW6500N,STS430,T0.6             | 1   | PC | SNA    |
| 17-5        | DC66-00950A | DRUM FRONT              | WW6800M,STS430J1L,503,T0.5      | 1   | PC | SNA    |
| 17-7        | DC97-20418B | ASSY FLANGE SHAFT       | WW8800M                         | 1   | PC | SA     |
| 17-7-1      | DC66-00939A | SHAFT WASHING           | DUAL DRIVE,STS410,OD15.0,N      | 1   | PC | SNA    |
| 17-7-2      | DC97-20419B | ASSY FLANGE SHAFT-SEMI  | WW8800M                         | 1   | PC | SNA    |
| 17-9        | DC60-00135A | BOLT PULSATOR           | Q-DRIVE,STS430,L28,WASHER       | 1   | PC | SA     |
| 18          | DC97-20522A | ASSY SEMI TUB BACK      | WW6800M                         | 1   | PC | SA     |
| 18-1        | DC61-04515A | TUB BACK                | WW7/6800M,FRPP,NATURAL          | 1   | PC | SNA    |
| 18-2        | DC96-01327D | ASSY WIRE HARNESS-EARTH | DRUM-M,WF1124ZAQ                | 1   | PC | SA     |
| 18-3        | DC97-20428A | ASSY HOUSING BEARING    | WW7/6800M,1400RPM               | 1   | PC | SNA    |
| 18-4        | DC61-01088A | BUSH MOTOR              | Q1636,PA,NTR,PA66,ID16.2,OD20   | 4   | PC | SNA    |
| 18-5        | DC61-02664A | BRACKET HEATER          | HEBA,STS430,T0.6                | 1   | PC | SA     |
| 18-6        | DC69-00824A | PACKING-THERMISTOR      | GW-PJT,EPDM,-,-,W17,H           | 1   | PC | SNA    |





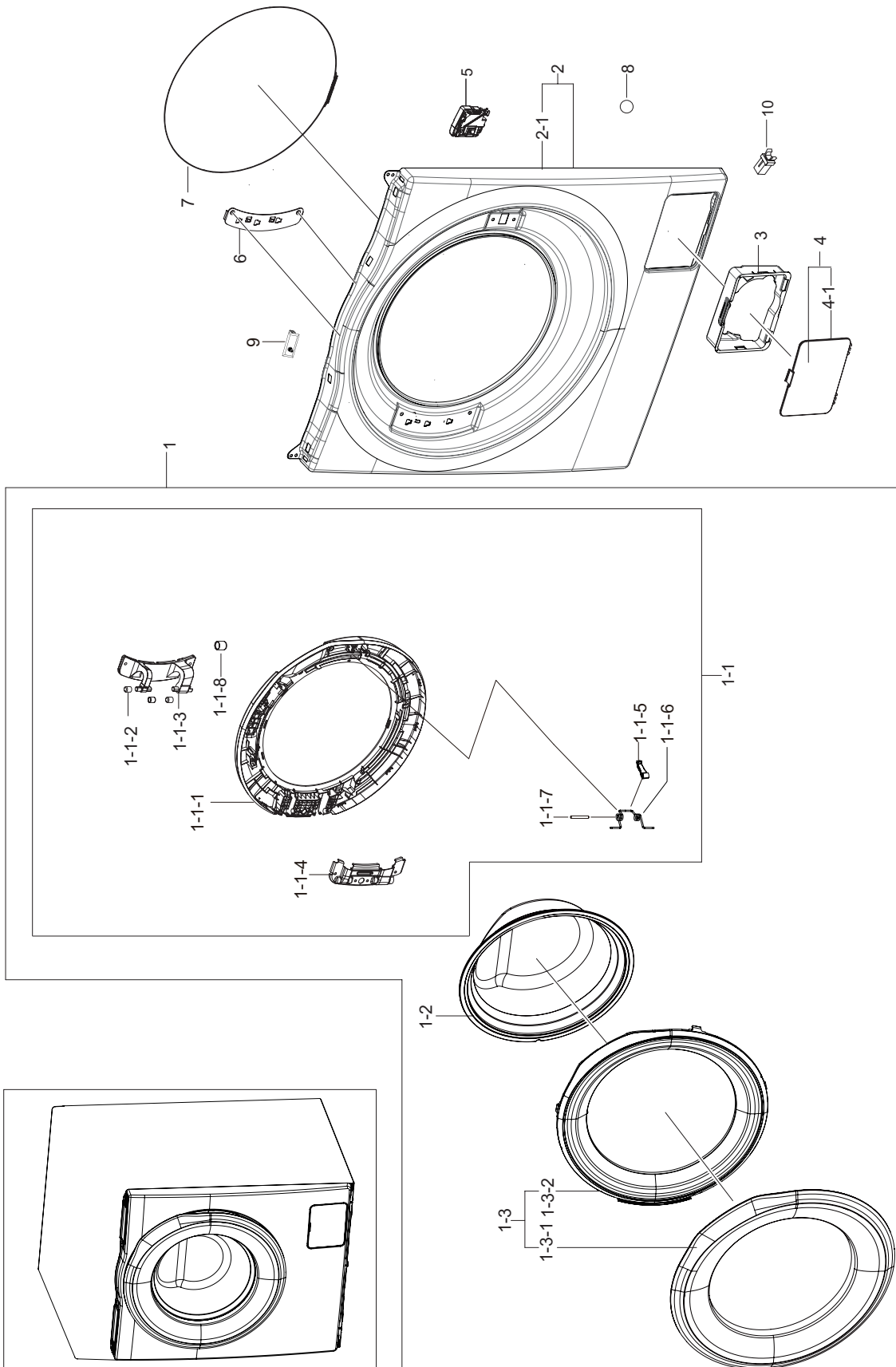
---

## MODEL CODE (WW80M644OBW/LV)

Service Bom (**SA**: SERVICE AVAILABLE, **SNA**: SERVICE NOT AVAILABLE)

| Drawing No. | Code No.    | Description       | Specification                  | QTY | Un | SA/SNA |
|-------------|-------------|-------------------|--------------------------------|-----|----|--------|
| 22          | DC93-00586D | ASSY MOTOR BLDC   | WW7800M,WDM350FGA,F,DC31       | 2   | PC | SA     |
| 23          | 6031-002861 | WASHER-SPRING     | SK5,ID11.2,OD22.5,T1.25,DU     | 1   | PC | SA     |
| 24          | 6009-001367 | BOLT-HEX          | M6.5,L32,ZPC(WHT),SWRCH18A,HWH | 15  | PC | SNA    |
| 25          | DC97-20943A | ASSY PULSATOR CAP | WW8800M.WD8800N                | 1   | PC | SA     |
| 26          | DC97-20490A | ASSY PULSATOR     | WW6800N,1400RPM                | 1   | PC | SA     |

# 4. ASSY FRAME PARTS (WW80M644OBW/LV )

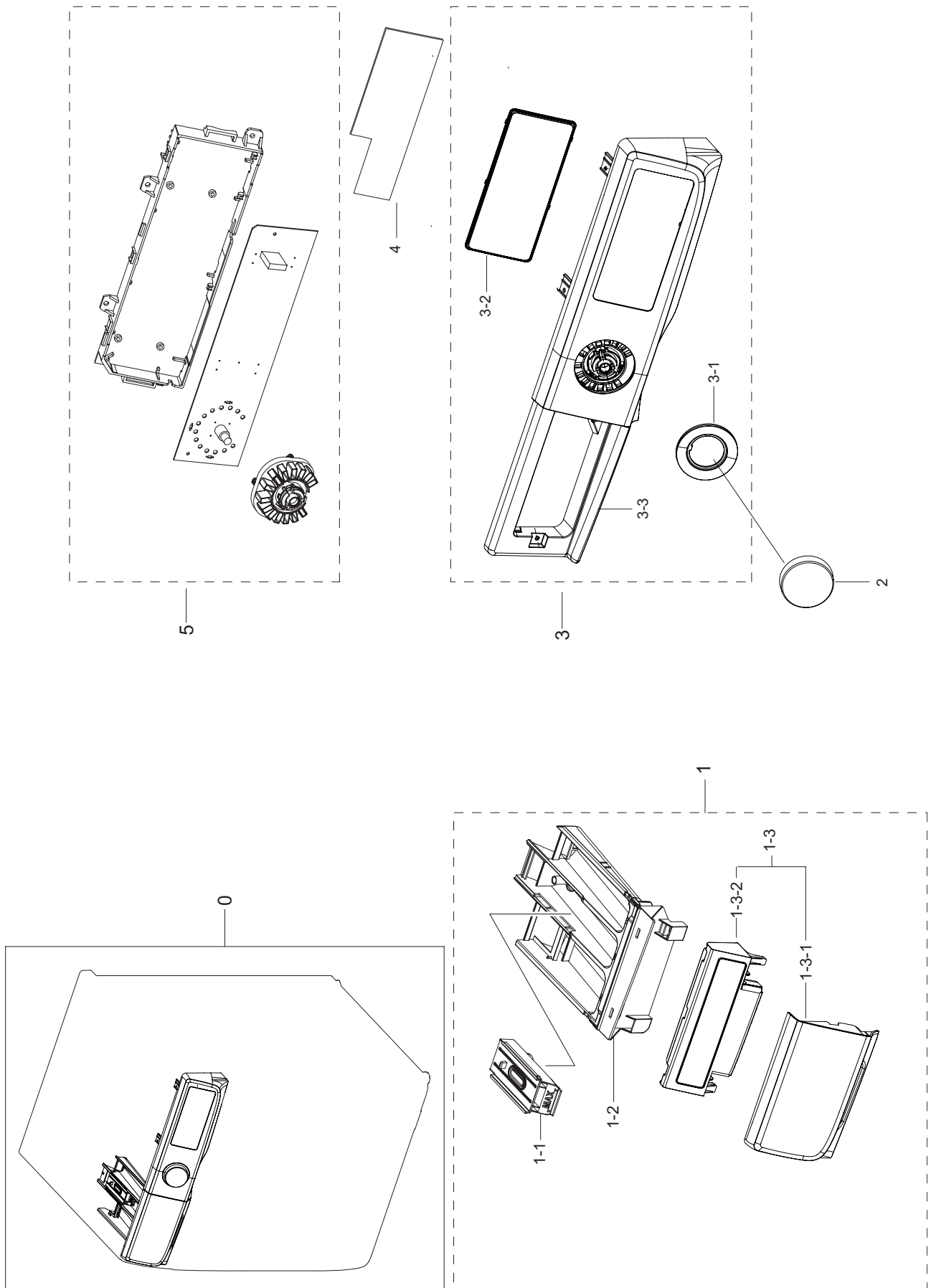


## MODEL CODE (WW80M644OBW/LV)

Service Bom (SA: SERVICE AVAILABLE, SNA: SERVICE NOT AVAILABLE)

| Drawing No | Code No.    | Description         | Specification                 | QTY | Un | SA/SNA |
|------------|-------------|---------------------|-------------------------------|-----|----|--------|
| 1          | DC97-18712E | ASSY DOOR           | WW6800M,WW80M642OBW/EN,BLUE   | 1   | PC | SNA    |
| 1-1        | DC97-19303F | ASSY HOLDER GLASS   | WW6800M,WW90M645OBW/EU        | 1   | PC | SA     |
| 1-1-1      | DC61-04138C | HOLDER GLASS        | WW6500K,PP,VERSAILLES GRAY,   | 1   | PC | SNA    |
| 1-1-2      | DC61-00891A | GUIDE HINGE         | HAUZEN(DOM),POM,-,-,WHT,HI    | 4   | PC | SA     |
| 1-1-3      | DC61-04131A | HINGE DOOR          | WW6/5500K,ALDC,T5             | 1   | PC | SA     |
| 1-1-4      | DC61-04134A | BRACKET HOLDER      | WW6/5500K,GI-SGCC,T1.2        | 1   | PC | SA     |
| 1-1-5      | DC66-00497C | LEVER-DOOR          | WW6000J,ZNDC,T5,NI COATING    | 1   | PC | SA     |
| 1-1-6      | DC61-02027A | SPRING ETC LEVER    | STAINLESS-ST304,CD1.2,        | 1   | PC | SA     |
| 1-1-7      | DC64-00564A | HANDLE PIN          | WF602U2BKWQ/SC,STS304,NATURE  | 1   | PC | SA     |
| 1-1-8      | DC61-02197A | GUIDE WIRE          | WD9500JK,POM,T1,M90-44,NATURA | 1   | PC | SA     |
| 1-2        | DC64-01790A | DOOR GLASS          | AEGIS,GLASS,T5.0,W353.0       | 1   | PC | SA     |
| 1-3        | DC97-18709A | ASSY COVER DOOR     | WW6000J Gentle blue           | 1   | PC | SA     |
| 1-3-1      | DC63-01838A | COVER DOOR          | Double crystal,ABS+PMMA,-,-,G | 1   | PC | SNA    |
| 1-3-2      | DC63-01842D | COVER GLASS         | ABS,T2.3,HB,VERSAILLES GRAY,  | 1   | PC | SA     |
| 2          | DC97-20627A | ASSY FRAME FRONT    | WW6800M,DA WHITE              | 1   | PC | SA     |
| 2-1        | DC61-04226D | FRAME FRONT         | WW6500K,GI-SGCC,DA WHITE,T0.  | 1   | PC | SNA    |
| 3          | DC61-04227A | GUIDE FILTER        | PP,T2.0,TB53,BLACK            | 1   | PC | SA     |
| 4          | DC97-20305E | ASSY COVER FILTER   | WW6800M,DA WHITE              | 1   | PC | SA     |
| 4-1        | DC63-01974A | COVER FILTER        | ABS,T2.5,DA WHITE,WT0035      | 1   | PC | SA     |
| 5          | DC34-00026A | SWITCH DOOR LOCK    | AC250V,16,SOLNOID, DOOR       | 1   | PC | SA     |
| 7          | DC91-12078E | ASSY WIRE DIAPHRAGM | AEGIS,WF8500NHW/YLP,          | 1   | PC | SA     |
| 8          | DC64-03166A | INLAY-HOLDER GLASS  | WD9000HK,PET,T0.25,DA         | 1   | PC | SA     |
| 9          | DC64-00828G | SWITCH DOOR         | AC125-250V,1.5/0.75,1BUTTON,  | 1   | PC | SA     |
| 10         | DA66-01072A | LATCH               | LATOUR,POM,NATURAL,DC LATCH   | 1   | PC | SA     |

5. ASSY PANEL CONTROL PARTS (WW80M644OBW/LV )

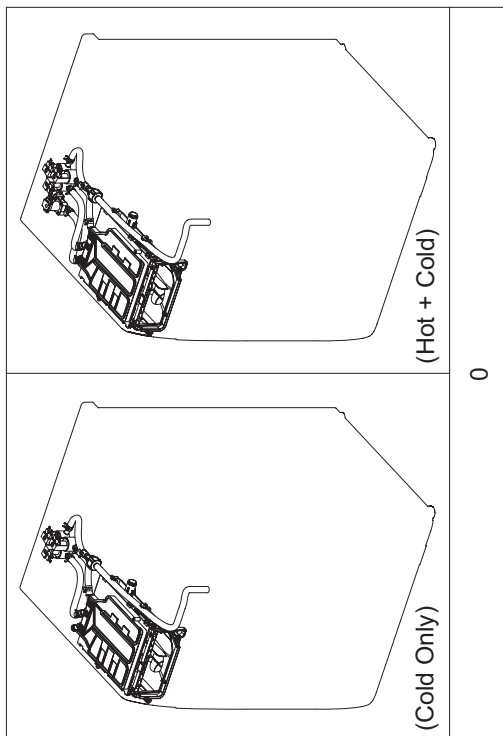
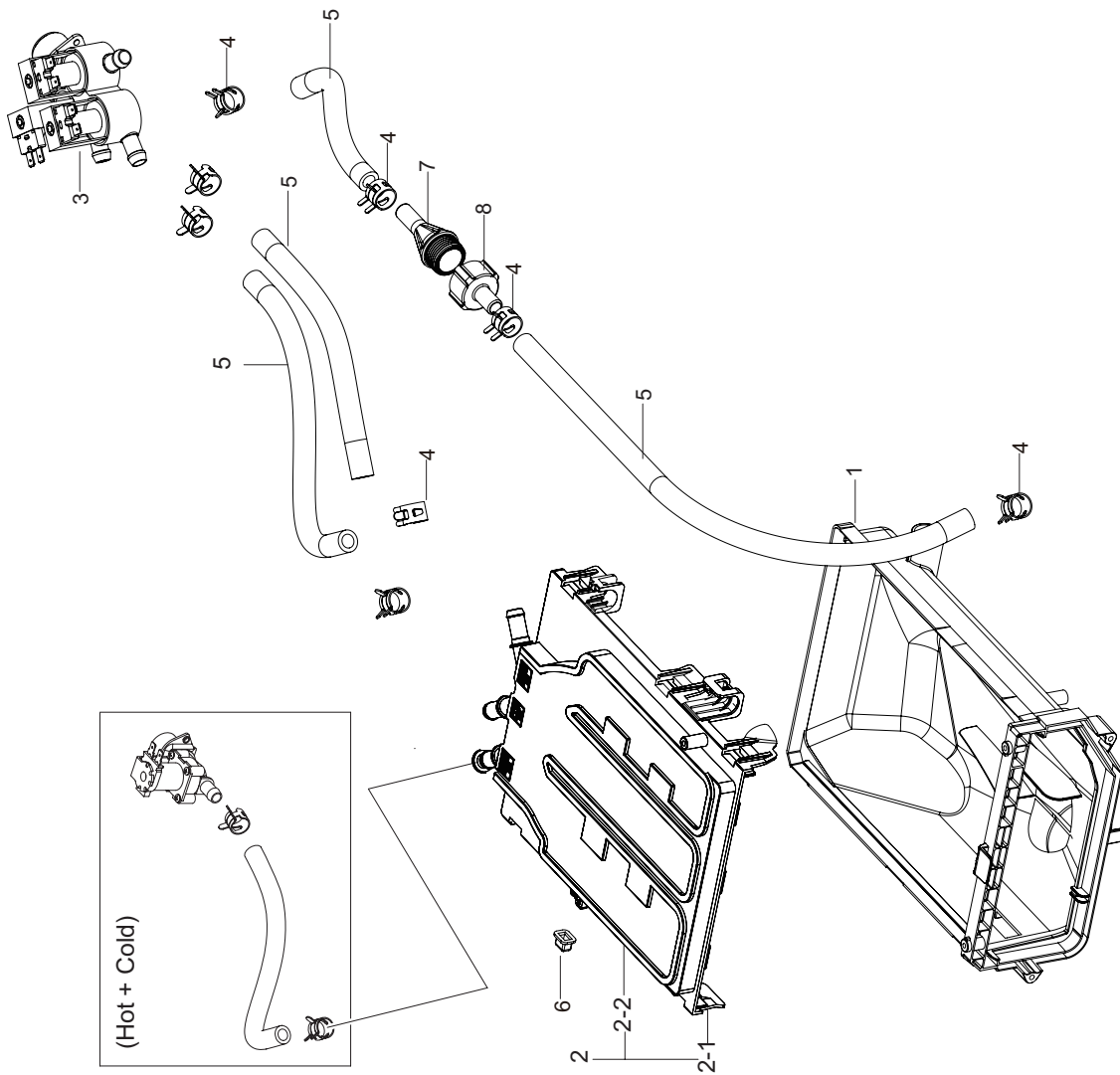


## MODEL CODE (WW80M644OBW/LV)

Service Bom (SA: SERVICE AVAILABLE, SNA: SERVICE NOT AVAILABLE)

| Drawing No | Code No.    | Description              | Specification                  | QTY | Un | SA/SNA |
|------------|-------------|--------------------------|--------------------------------|-----|----|--------|
| 0          | -           | ASSY PANEL CONTROL PARTS | WW6800M                        | 1   | PC | SNA    |
| 1          | DC97-20492F | ASSY DRAWER              | WW6800M,WW80M645OPW/EU,DA WH   | 1   | PC | SA     |
| 1-1        | DC67-00669A | CAP RINSE                | WF-F500E,PP,-,-,MT43,Honesty B | 1   | PC | SA     |
| 1-2        | DC61-03480A | BODY DRAWER              | WF-F500E,PP,DA WHITE,WT0035,   | 1   | PC | SA     |
| 1-3        | DC97-20484F | ASSY PANEL DRAWER        | DDPD 8KG,WW80M645OPW/E         | 1   | PC | SA     |
| 1-3-1      | DC64-03661A | PANEL DRAWER             | WW6800N,ABS,HG-0760GP,DA WH    | 1   | PC | SNA    |
| 1-3-2      | DC64-03662A | HANDLE DRAWER            | WW6800N,ABS,HG-0760GP,DA W     | 1   | PC | SNA    |
| 2          | DC64-03648A | KNOB ENCODER             | WW8800M,ABS,NATURAL,MP-0160    | 1   | PC | SA     |
| 3          | DC97-20482N | ASSY PANEL CONTROL       | WW6800M,WW80M644OPW/L          | 1   | PC | SA     |
| 3-1        | DC64-03663A | WINDOW ENCODER           | WW6800M,ABS+PMMA,TF-0930,      | 1   | PC | SNA    |
| 3-2        | DC64-03664J | WINDOW PANEL             | WW80M642OPW/WS,PMMA,FT6120,    | 1   | PC | SNA    |
| 3-3        | DC64-03660A | PANEL CONTROL            | WW6800N,ABS,HG-0760GP,DA W     | 1   | PC | SNA    |
| 4          | DC92-02129B | ASSY MODULE              | FWM_Touch Sensor,WW6800M,11K   | 1   | PC | SA     |
| 5          | DC92-02138E | ASSY PCB DISPLAY         | FWM_INV,MK_PJT,292*80,8        | 1   | PC | SA     |

# 6.ASSY DRAWER PARTS (WW80M644OBW/LV )


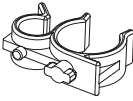

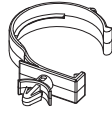




---

**MODEL CODE (WW80M644OBW/LV)**Service Bom (**SA**: SERVICE AVAILABLE, **SNA**: SERVICE NOT AVAILABLE)

| Drawing No. | Code No.    | Description           | Specification                | QTY  | Un | SA/SNA |
|-------------|-------------|-----------------------|------------------------------|------|----|--------|
| 0           | DC97-18573C | ASSY HOUSING DRAWER   | WW6000,8kg/9kg               | 1    | PC | SA     |
| 1           | DC61-02663A | HOUSING DRAWER-LOW    | WW5000,PP,T1.8,NATURA        | 1    | PC | SA     |
| 2           | DC97-17347A | ASSY S.HOUSING DRAWER | F500E,WF80F5E5U4W            | 1    | PC | SA     |
| 2-1         | DC61-03474A | HOUSING DRAWER-MIDDLE | WF-F500E,PP,-,NATU           | 1    | PC | SNA    |
| 2-2         | DC61-03475A | HOUSING DRAWER-UP     | WF-F500E,PP,-,NATURAL,       | 1    | PC | SNA    |
| 3           | DC62-00233D | VALVE WATER           | AC220-240V,BLUE,#250         | 1    | PC | SA     |
| 4           | DC65-00008B | CLAMPER HOSE          | SSEC-GE,SK5,-,Dacromet,T1.0  | 8    | PC | SA     |
| 5           | DC67-00051F | HOSE DRAWER           | WF8502NHW,EPDM,ID9.0,OD14.5, | 1.13 | M  | SA     |
| 6           | DC67-00327A | CAP DRAWER HOOK       | HEBA-PJT,EPDM,T1.1,W13.9     | 1    | PC | SNA    |
| 7           | DC62-00182B | NOZZLE CONNECTOR-UP   | WF361BVBWR/A2,POM,N          | 1    | PC | SNA    |
| 8           | DC62-00183A | NOZZLE CONNECTOR-LOW  | POM,NATURAL                  | 1    | PC | SNA    |

## 7. SMALL PARTS

|                                                                                   |                                                                                   |                                                                                   |                                                                                    |                                                                                     |
|-----------------------------------------------------------------------------------|-----------------------------------------------------------------------------------|-----------------------------------------------------------------------------------|------------------------------------------------------------------------------------|-------------------------------------------------------------------------------------|
|  |  |  |  |  |
| 1                                                                                 | 2                                                                                 | 3                                                                                 | 4                                                                                  | 5                                                                                   |
|  |                                                                                   |                                                                                   |                                                                                    |                                                                                     |
| 6                                                                                 |                                                                                   |                                                                                   |                                                                                    |                                                                                     |

### MODEL CODE: WW80M644OBW/LV

Service Bom (**SA**: SERVICE AVAILABLE, **SNA**: SERVICE NOT AVAILABLE)

| NO. | Code No.    | Description      | Specification                     | QTY | Un | SA/<br>SNA |
|-----|-------------|------------------|-----------------------------------|-----|----|------------|
| 1   | DC61-40083A | HOLDER WIRE      | DAWH-3ND,PA66,NTR(PI24.4)/NYLON66 | 1   | PC | SNA        |
| 2   | DC61-00133A | CLAMPER HOSE-FIX | P1291,PP,-,HOSE+PLUG,BJ           | 1   | PC | SA         |
| 3   | DC61-00118A | CLAMP-CABLE      | P1291,PA66,NATURAL,NC0001         | 1   | PC | SA         |
| 4   | DC61-02879A | HOLDER WIRE      | WF8804CPA,PA,-,NATURAL,-,2110R    | 1   | PC | SNA        |
| 5   | DC60-60044B | WASHER PLAIN     | PO-SPHC,T2.0                      | 4   | PC | SA         |
| 6   | DC61-40081A | HOLDER WIRE      | DAWH-2NC,PA66,-,NATURAL,-         | 6   | PC | SA         |
| 6   | DC61-40081A | HOLDER WIRE      | DAWH-2NC,PA66,-,NATURAL,-         | 2   | PC | SA         |



## 8. PARTS LIST (SCREW TYPE)

### MODEL CODE (WW80M644OBW/LV)

Service Bom (SA: SERVICE AVAILABLE, SNA: SERVICE NOT AVAILABLE)

| Code No.    | Description   | Specification                  | QTY | Un | SA/SNA |
|-------------|---------------|--------------------------------|-----|----|--------|
| 6002-000445 | SCREW-TAPPING | TH,+,NO,2,M4,L18,PASS,STS4     | 3   | PC | SNA    |
| 6003-001768 | SCREW-TAPTYPE | TH,+,WT,S,M4,L10,ZPC(WHT),     | 1   | PC | SNA    |
| 6006-001174 | SCREW-TAPPING | TH,+,WT,2S,M4,L12,ZPC(WHT)     | 1   | PC | SNA    |
| 6002-001554 | SCREW-TAPPING | BH,+,No,1,M4,L12,STS430,HE     | 2   | PC | SNA    |
| 6002-000213 | SCREW-TAPPING | TH,+,1,M4,L12,ZPC(WHT),SWR     | 1   | PC | SNA    |
| 6002-001006 | SCREW-TAPPING | TH,+,-,2S,M4,L12,PASS,STS4     | 3   | PC | SNA    |
| 6002-000213 | SCREW-TAPPING | TH,+,1,M4,L12,ZPC(WHT),SWR     | 4   | PC | SNA    |
| 6003-001768 | SCREW-TAPTYPE | TH,+,WT,S,M4,L10,ZPC(WHT),     | 2   | PC | SNA    |
| 6006-001174 | SCREW-TAPPING | TH,+,WT,2S,M4,L12,ZPC(WHT)     | 5   | PC | SNA    |
| 6002-001327 | SCREW-TAPPING | PWH,+,1,M4,L12,ZPC(WHT),SW     | 6   | PC | SNA    |
| 6006-001174 | SCREW-TAPPING | TH,+,WT,2S,M4,L12,ZPC(WHT)     | 2   | PC | SNA    |
| 6002-000239 | SCREW-TAPPING | TH,+,NO,2S,M4,L8,ZPC(WHT),     | 1   | PC | SNA    |
| DE60-10080A | SCREW-TAPPING | PWH,+,-,2S,M5,L9,-,SWRCH18     | 2   | PC | SNA    |
| 6002-000213 | SCREW-TAPPING | TH,+,1,M4,L12,ZPC(WHT),SWR     | 3   | PC | SNA    |
| 6002-001554 | SCREW-TAPPING | BH,+,No,1,M4,L12,STS430,HE     | 2   | PC | SNA    |
| 6009-001522 | SCREW-HEX     | HWH,+,M5,L16,PASS,STS430,FP,SE | 2   | PC | SA     |
| 6002-000239 | SCREW-TAPPING | TH,+,NO,2S,M4,L8,ZPC(WHT),     | 1   | PC | SNA    |
| 6002-001554 | SCREW-TAPPING | BH,+,No,1,M4,L12,STS430,HE     | 3   | PC | SNA    |
| 6002-000445 | SCREW-TAPPING | TH,+,NO,2,M4,L18,PASS,STS4     | 4   | PC | SNA    |
| 6002-000445 | SCREW-TAPPING | TH,+,NO,2,M4,L18,PASS,STS4     | 6   | PC | SNA    |
| 6002-001438 | SCREW-TAPPING | HWH,+,NO,1,M5,L12,ZPC(WHT)     | 2   | PC | SNA    |
| 6003-000226 | SCREW-TAPTYPE | TH,+,-,S,M4,L8,ZPC(WHT),SW     | 2   | PC | SNA    |
| 6006-001174 | SCREW-TAPPING | TH,+,WT,2S,M4,L12,ZPC(WHT)     | 3   | PC | SNA    |
| 6009-001343 | SCREW-SPECIAL | PH,TORX,M4,L12,ZPC(WHT),SW     | 2   | PC | SNA    |
| DC97-14006C | ASSY SCREW    | GRIFFIN-PJT,WF9904RWE,SWRCH18  | 2   | PC | SNA    |
| 6002-001436 | SCREW-TAPPING | PH,+,2,M4,L18,ZPC(WHT),SWR     | 6   | PC | SNA    |
| DC97-15858A | ASSY SCREW    | trumph-PJT,WF-F1061/YLP,SWRCH  | 2   | PC | SNA    |
| 6002-001554 | SCREW-TAPPING | BH,+,No,1,M4,L12,STS430,HE     | 1   | PC | SNA    |
| 6002-000213 | SCREW-TAPPING | TH,+,1,M4,L12,ZPC(WHT),SWR     | 1   | PC | SNA    |
| 6001-000516 | SCREW-MACHINE | PH,+,-,M3,L10,ZPC(WHT),SWR     | 3   | PC | SNA    |
| 6001-000516 | SCREW-MACHINE | PH,+,-,M3,L10,ZPC(WHT),SWR     | 2   | PC | SNA    |

