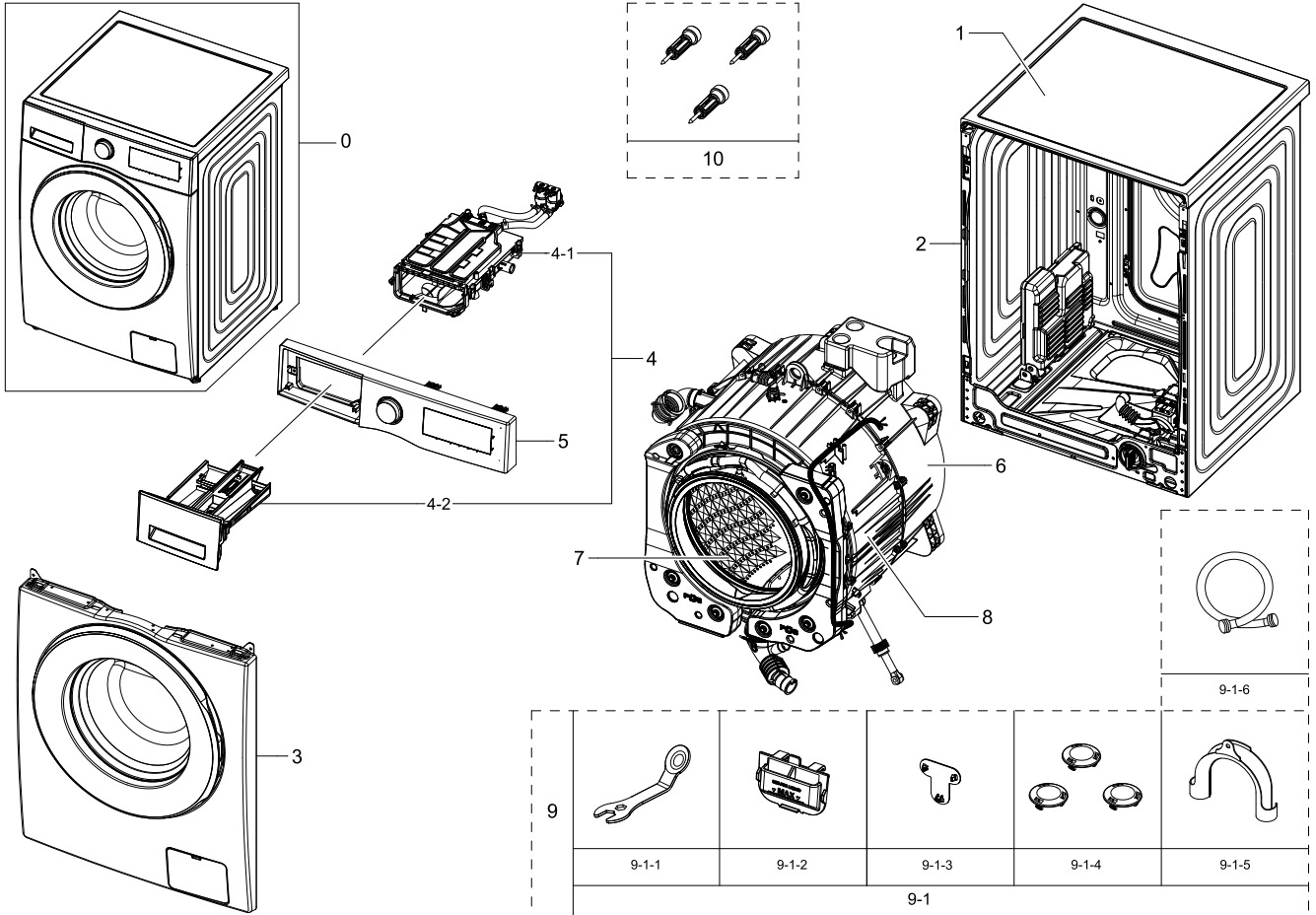


1. MAIN

MAIN

Exploded View



Parts List

No.	Lvl.	Loc.	Material Code	Description & Specification	SNA	Qty.
1	1		DC90-30538B	ASSY COVER TOP PARTS; B-PJT,DA WHITE	SNA	1
2	1		DC90-31195D	ASSY FRAME PARTS; WW5000C,WHITE,NO L/S	SNA	1
3	1		DC90-28645M	ASSY FRONT PARTS; WW5000T,WW80TA046TH/EU	SNA	1
4	1		DC90-31190A	ASSY DRAWER PARTS; WW5000C,MANUAL DISPENS	SNA	1
4-1	2		DC97-22247T	ASSY HOUSING DRAWER-MODULE; WW5000B,B-PJT	SA	1
4-2	2		DC97-24024A	ASSY DRAWER-MODULE; WW5000C,DA WHITE,N-AD	SA	1
5	1		DC90-31226D	ASSY PANEL CONTROL PARTS; WW5000C,BETTER,	SNA	1

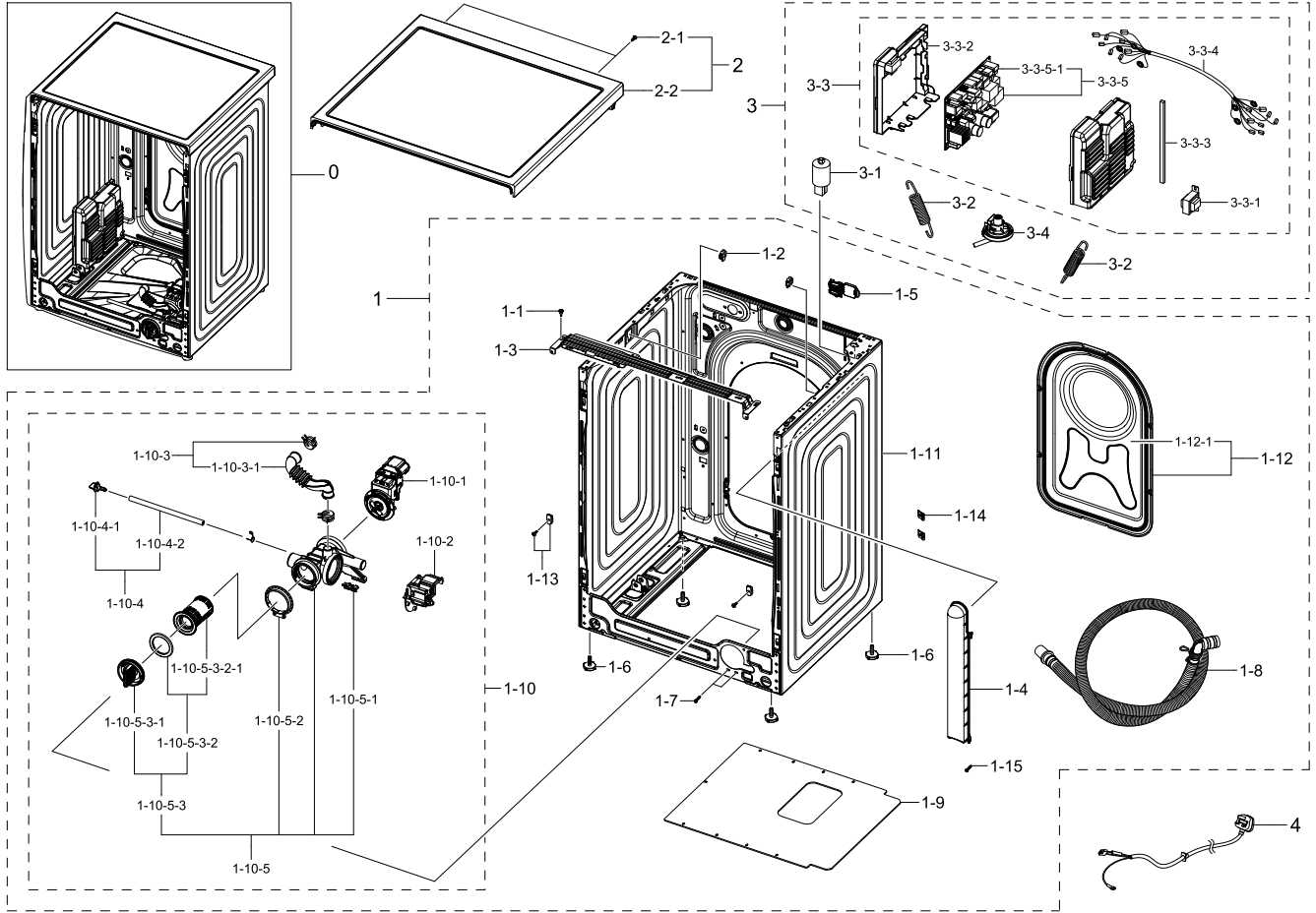
Exploded Views and Parts List

No.	Lvl.	Loc.	Material Code	Description & Specification	SNA	Qty.
6	1		DC90-28647A	ASSY TUB BACK PARTS; WW6000T,WW90T684DLH/	SNA	1
7	1	W0165	DC90-12363A	ASSY DRUM; F500E,WF80F5E5U4W/EF	SNA	1
8	1		DC90-28646C	ASSY TUB FRONT PARTS; WW5000T,WW90T534DAW	SNA	1
9	1		DC90-28651A	ASSY ACCESSORY PARTS; WW6000T,WW90T684DLH	SNA	1
9-1	2	W0718	DC98-04403B	ASSY ACCESSORY; WW4000T,WW90T4540AX/EU,GE	SNA	1
9-1-1	3	W0636	DC60-00104A	FASTENER-BOLT; ALL,CR-SPCC,T2,L113.5,-,-,	SA	1
9-1-2	3		DC61-03510A	GUIDE LIQUID; WF-F500E,PP+TD30%,-,-,MT43,	SA	1
9-1-3	3	W0614	DC67-00208B	CAP-FIXER; WF8602NHS/XFA,PP,T1.5,COPO,BLA	SA	1
9-1-4	3	W0614	DC67-00307A	CAP-FIXER; WF438AAC/XAA,PP,T1.5,-,P-002HB	SC	4
9-1-5	3		DC67-00357B	HOSE HANGER; U-PJT,PP,ID24.13,BLACK	SA	1
9-1-6	3	W0757	DC97-17845A	ASSY HOSE WATER; COLD,ALL MODEL	SA	1
10	2		DC97-14653L	ASSY FIXER TUB;SCOUT,WF0804Y8E/XEF,SEBS	SA	3

2. ASSY FRAME PARTS

ASSY FRAME PARTS

Exploded View



Parts List

No.	Lvl.	Loc.	Material Code	Description & Specification	SNA	Qty.
1	1		DC90-31195D	ASSY FRAME PARTS; WW5000C,WHITE,NO L/S	SNA	1
1-1	2	W0102	6009-001240	SCREW-SPECIAL; TH,+,M5,L13.5,ZPC(WHT),SWR	SA	2
1-2	2		DC61-02065B	GUIDE SPRING; WW11B1A047AWUA,POM,T4,HB,K3	SA	2
1-3	2	W0248	DC61-03467A	FRAME PLATE-UP; WF-F500E,GI-SGCC,T1,F500	SA	1
1-4	2		DC61-05003C	GUIDE HOSE DRAIN; WW80T554AAT,ABS,HB,CNTK	SA	1
1-5	2		DC63-02181A	COVER CONNECTOR; WW5500K (SEHC),PP,-,HB,N	SA	1
1-6	2	W0606	DC97-00920W	ASSY LEG; WW6000T,WD90T654DBH/S1,48.5,M10	SA	2

Exploded Views and Parts List

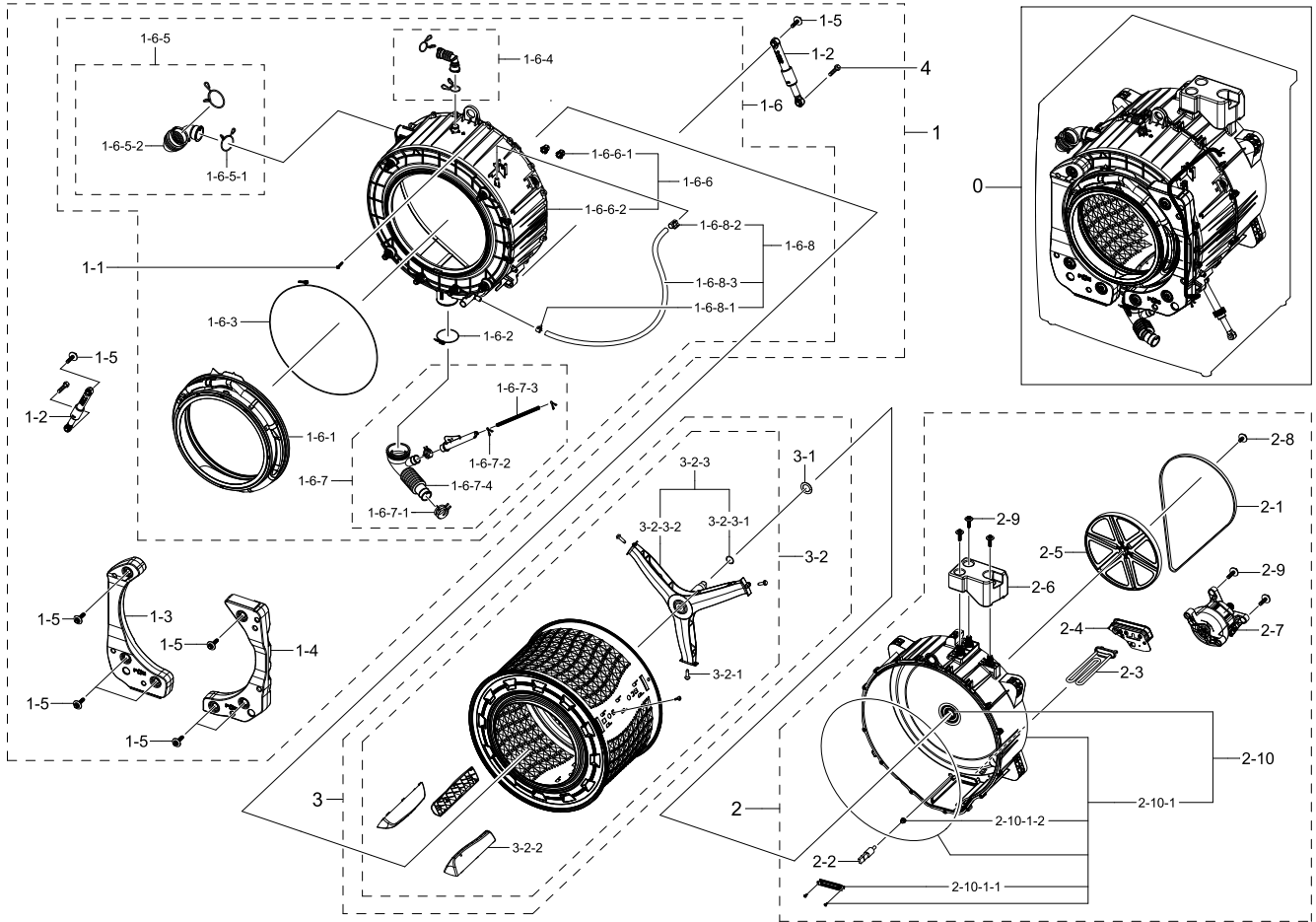
No.	Lvl.	Loc.	Material Code	Description & Specification	SNA	Qty.
1-7	2	M0030	DC97-14006A	ASSY SCREW; WF203,M4/L16	SA	2
1-8	2	W0604	DC97-16240B	ASSY HOSE DRAIN(O); F500E,WF80F5E5,ASSY,L	SA	1
1-9	2	W0629	DC61-20001B	SHUTTER; F500E Platform, VE,PP,-,J370,NAT	SA	1
1-10	2	W0194	DC97-17336F	ASSY PUMP DRAIN; WW6000T,BUBBLE,250V	SA	1
1-10-1	3		DC31-00181A	MOTOR AC PUMP; Drum & Auto,B15-6A/S3019/S30	SA	1
1-10-2	3		DC31-00181E	MOTOR AC PUMP; Drum,S3032,2Pole,220-240V,	SA	1
1-10-3	3	G0422	DC97-17339B	ASSY HOSE AIR; WW5000J,BUBBLE,ID 19.3,BLK	SA	1
1-10-3-1	4	G0053	DC67-00671A	HOSE AIR TUB; F500,EPDM,ID19.3,T2.5,BLACK	SA	1
1-10-4	3	M0041	DC97-19088A	ASSY HOSE DRAIN; F500E,WF80F5E5U4W,Black	SNA	1
1-10-4-1	4	WI0107	DC61-10673A	CAP DRAIN; WF220ANW,PP,-,-,-,-,CNTK-P10	SA	1
1-10-4-2	4	U2015	DC67-00244C	HOSE DRAIN; WF0804Y8E,EPDM,ID6,T2.5,HS0,B	SA	1
1-10-5	3	W0514	DC97-19376C	ASSY CASE FILTER; WW6000T,BUBBLE	SA	1
1-10-5-1	4	WO0031	DC63-00905A	CUSHION PUMP; WF8802DPF/XET,NBR,T1.5,D14,	SA	1
1-10-5-2	4		DC69-01128A	PACKING-PUMP; WF8804DP,BUTYL,T2.5,HEBA-PJ	SA	1
1-10-5-3	4	G0050	DC97-15695A	ASSY FILTER; GRIFFIN-PJT,WF9804RWE,PP+EPD	SA	1
1-10-5-3-1	5	WI0357	DC64-01317A	HANDLE FILTER; BAIKAL,PP+TD20%,FC2210,INN	SA	1
1-10-5-3-2	5		DC97-19203A	ASSY SEMI FILTER; F500/400, WW6000/3000,B	SNA	1
1-10-5-3-2-1	6	W0633	DC63-00998A	FILTER PUMP; SCOUT-PJT,PP+TD20%,-,W52.8,L	SA	1
1-11	2		DC97-22383E	ASSY FRAME-MODULE; WW6000T,T0.7,DA WHITE,	SA	1
1-12	2	G0430	DC97-22389A	ASSY COVER BACK; WW6000T,WW90T684DLH/S1	SA	1
1-12-1	3		DC63-01034D	COVER BACK; W6000J,GI-SGCC,T0.35	SA	1
1-13	2		DC97-22976A	ASSY FRAME FRONT-GUIDE; All model,ASSY GU	SA	2
1-14	2		DD61-00140A	BRACKET-TAPPING; SDW-T120B,SWRCH10A,T0.6,	SNA	2
1-15	2	M0030	DC97-14006B	ASSY SCREW; WW5000J,M4,L16,OD14.8,NO RUBB	SA	5

No.	Lvl.	Loc.	Material Code	Description & Specification	SNA	Qty.
2	1		DC90-30538B	ASSY COVER TOP PARTS; B-PJT,DA WHITE	SNA	1
2-1	2	G0412	6002-000613	SCREW-TAPPING; TH,+,-,2,M5,L16,ZPC(WHT),S	SNA	2
2-2	2		DC97-23363A	ASSY COVER TOP-MODULE; B-PJT,WW5000B,ABS+	SA	1
3	1		DC90-31192B	ASSY INNER PARTS; WW5000C,EEPROM,DC94-137	SNA	1
3-1	2	W0620	DC29-00015K	FILTER EMI; 6.5mH,53X95.5X53mm,15A,V(14D6	SA	1
3-2	2		DC61-02029D	SPRING ETC-HANGER MODULE; WW6800M,HSWR,3.	SA	2
3-3	2		DC92-03520B	ASSY COVER PCB W/HARNESS; WW5000C,DC94-13	SNA	1
3-3-1	3		DC27-00012A	COIL HARMONIC; 4.5mH,40x69x39mm,3A,-	SA	1
3-3-2	3		DC61-05550A	GUIDE COVER PCB; WW6000T(Urethane Delete)	SA	1
3-3-3	3		DC63-02430E	SPONGE; U-PJT(SEPM),PU FOAM,T20,-,-,-,W20	SA	1
3-3-4	3		DC93-00983U	ASSY WIRE HARNESS-MAIN; DRUM-M,WW6000T,F-	SA	1
3-3-5	3		DC94-13793A	ASSY PCB EEPROM; 9068,WW5000C_TOUCH	SA	1
3-3-5-1	4	W0470	DC92-03229N	ASSY PCB MAIN; FWM_MAIN,194x160mm,220Vac,	SNA	1
3-4	2	H2050	DC96-01703Q	SENSOR PRESSURE; Air,5V,L0,400mmH2O	SA	1
4	2		DC39-00067B	POWER CORD-AT; H05VV-F 3x1.0mm2,GRY,EU3F,	SA	1

3. ASSY TUB & DRUM PARTS

ASSY TUB & DRUM PARTS

Exploded View



Parts List

No.	Lvl.	Loc.	Material Code	Description & Specification	SNA	Qty.
1	1		DC90-28646C	ASSY TUB FRONT PARTS; WW5000T,WW90T534DAW	SNA	1
1-1	2	G0049	6009-001367	BOLT-HEX; M6.5,L32,ZPC(WHT),HWH,+,SWRCH18	SA	14
1-2	2		DC66-00470G	DAMPER SHOCK-MODULE; 24" Drum,PP/RUBBER/S	SA	2
1-3	2		DC67-01109B	WEIGHT BALANCER-LEFT MODULE; WW6000T,CONC	SA	1
1-4	2		DC67-01110B	WEIGHT BALANCER-RIGHT MODULE; WW6000T,CON	SA	1
1-5	2	W0601	DC97-14263A	ASSY BOLT; MOTOR/BOLT(M8)+WASHER(OD27.5),	SA	8
1-6	2	G0048	DC97-22380C	ASSY TUB FRONT-MODULE; WW5000T,BUBBLE,NON	SNA	1

No.	Lvl.	Loc.	Material Code	Description & Specification	SNA	Qty.
1-6-1	3		DC64-03988C	DOOR DIAPHRAGM; WW5000B,TPE,T1.5,-,EK-104	SA	1
1-6-2	3	W0744	DC65-00021A	CLAMPER HOSE-JOINT; HEBA PJT,HSWR	SA	1
1-6-3	3	M0038	DC97-14618A	ASSY CLAMP DIAPHRAGM; WF8804DP,OD2.0/L124	SA	1
1-6-4	3	G0422	DC97-14873C	ASSY HOSE AIR; F500,WF80F5E5U4W	SA	1
1-6-5	3	G0043	DC97-14874F	ASSY HOSE DRAWER; F500E,ALL	SA	1
1-6-5-1	4		DC61-04117A	CLIP RING; -,HSWR,-,-,-,ID37,T3.0	SA	1
1-6-5-2	4	WJ0027	DC72-00001G	CLIP RING; HEBA-PJT,HSWR,-,-,-,HSWR-SWRH	SA	1
1-6-6	3	W0636	DC97-17327D	ASSY SEMI TUB FRONT; WW6000T,FRPP,BUBBLE,	SNA	1
1-6-6-1	4	WS0064	DC61-02549A	BUSH MOTOR; HEBA BIGBANG,PA66,NATURAL,KN3	SA	2
1-6-6-2	4		DC61-03453G	TUB FRONT; WW6000T,PP+GF30%,T3.5,NATURAL,	SA	1
1-6-7	3	W0605	DC97-17330A	ASSY HOSE PRESSURE; 400mmH20,No PBA,WF80F	SA	1
1-6-7-1	4	W0615	DC61-00219C	CLAMPER HOSE; -,SK5,ID35,-,ZPC2	SA	1
1-6-7-2	4	WP0165	DC61-70029C	CLIP RING; SEW-HW125,HSWR,-,WHITE,-,ID8.3	SA	2
1-6-7-3	4	W0725	DC67-00230E	HOSE WATER; WD8704,TPE,ID4.5,-,HS0,DARK H	SA	1
1-6-7-4	4	W0625	DC67-00551A	HOSE FILTER TUB; VOLGA,EPDM,ID64.5,T1.5,H	SA	1
1-6-8	3		DC97-22378A	ASSY HOSE CIRCULATION; WW6000T,WW90T684DL	SNA	1
1-6-8-1	4	W0615	DC65-00008A	CLAMPER HOSE; SEW-DR605,SK5,-,-,-,ID14.	SA	1
1-6-8-2	4	W0615	DC65-00008F	CLAMPER HOSE; F500E,SK5,-,-,-,ID14.2,-,	SA	1
1-6-8-3	4	G0052	DC67-00471E	HOSE CIRCULATION; F500E,EPDM,ID9,T2.75,BL	SA	1
2	1		DC90-28647A	ASSY TUB BACK PARTS; WW6000T,WW90T684DLH/	SNA	1
2-1	2	W0209	6602-003939	BELT-TIMING GEAR; RUBBER,BLK,T3.2,W11.7,L	SA	1
2-2	2	M0487	DC32-00010C	SENSOR TEMP; L120,3.243kohm,2%,60C,9.8phi	SA	1
2-3	2	W0237	DC47-00033B	HEATER WASH; AC230V,2000W,SUS316L,728mm,N	SA	1
2-4	2	W0235	DC63-01553A	COVER HEATER; F500 PJT,ABS,5VA,NATURAL,VE	SA	1
2-5	2	W0434	DC66-00767A	PULLEY MOTOR; F500,PA6+GF60%,NATURAL,-,OD	SA	1

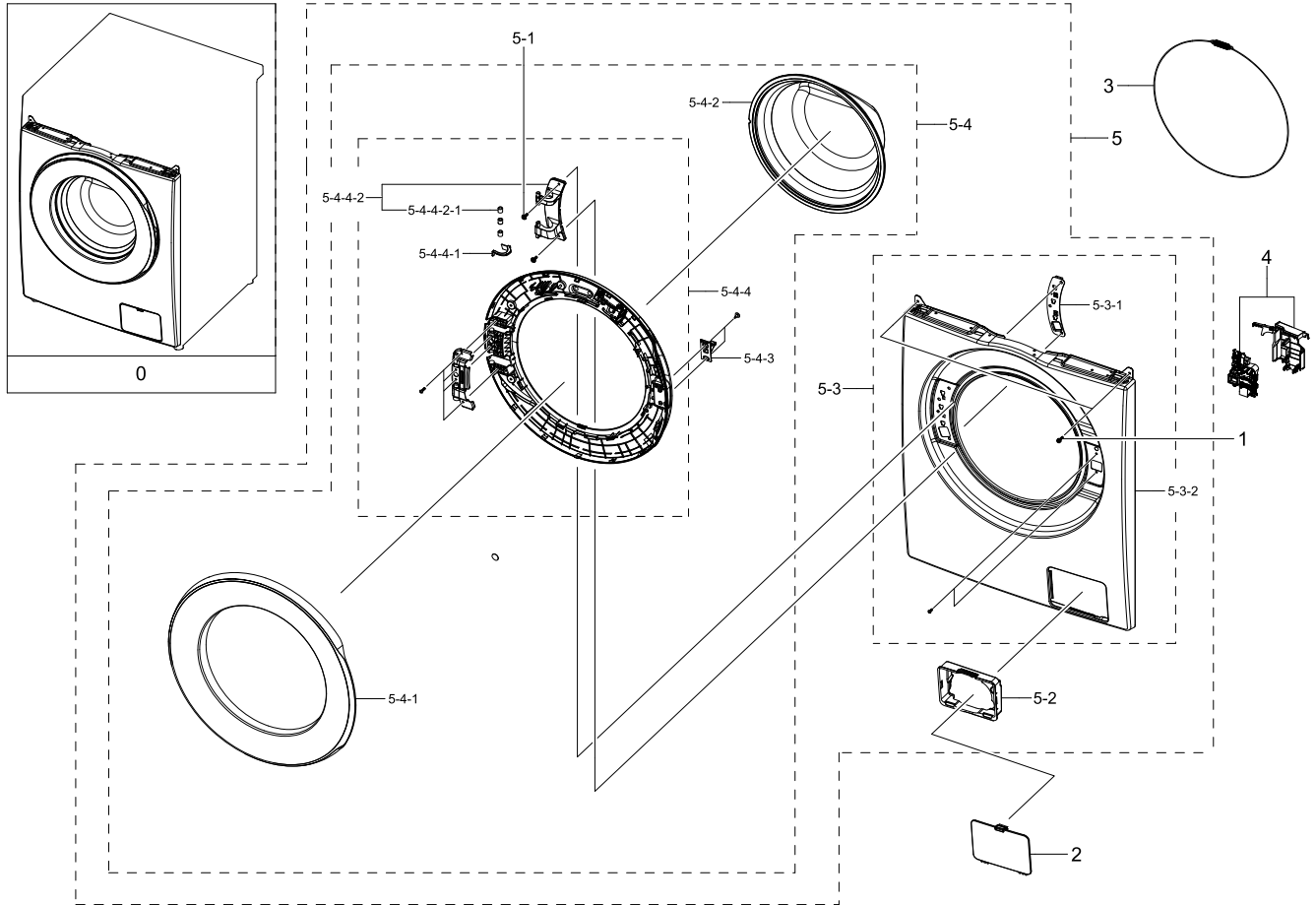
Exploded Views and Parts List

No.	Lvl.	Loc.	Material Code	Description & Specification	SNA	Qty.
2-6	2		DC67-01108A	WEIGHT BALANCER-UP MODULE; WW6000T,CONCRE	SA	1
2-7	2		DC93-00630A	ASSY MOTOR BLDC-MODULE; F4 24mm Press Hou	SA	1
2-8	2	W0601	DC97-06080F	ASSY BOLT; WD9500J,30,M12,Washer 38	SA	1
2-9	2	W0601	DC97-14263A	ASSY BOLT; MOTOR/BOLT(M8)+WASHER(OD27.5),	SA	5
2-10	2	W0501	DC97-17334C	ASSY TUB BACK-MODULE; WW6000T, FRPP GF 30	SA	1
2-10-1	3	G0029	DC97-17329C	ASSY SEMI TUB BACK; WW6000T,FRPP,GF30%,SE	SNA	1
2-10-1-1	4	W0230	DC61-02874A	BRACKET HEATER; WD0704CQR,STS430,T0.5,-,-	SA	1
2-10-1-2	4	M0028	DC69-00824A	PACKING-THERMISTOR; GW-PJT,EPDM,-,-,W17,H	SA	1
3	1	W0165	DC90-12363A	ASSY DRUM; F500E,WF80F5E5U4W/EF	SNA	1
3-1	2	WS0131	DC60-00069A	SPACER; WR-HA139WA,STS304,-,-,T0.3,-,D0,-	SA	1
3-2	2	W0165	DC97-17231A	ASSY DRUM-MODULE; F500 PJT	SA	1
3-2-1	3	WJ5081	DC60-40137A	BOLT HEX; MARS-PJT,STS430,-,L30,-,-,HEX	SA	3
3-2-2	3	W0619	DC66-00759A	DRUM LIFTER; F500 PJT,PP+TD20%,-,-,FC22	SA	3
3-2-3	3	W0164	DC97-23358A	ASSY FLANGE SHAFT; WW80T554AAT,71.5	SA	1
3-2-3-1	4		6044-002157	RING-OG; ID28,OD32.2,T2.1,BLK,NBR	SA	1
3-2-3-2	4	W0164	DC97-17234A	ASSY FLANGE SHAFT; F500 PJT,71.5	SA	1
4	2	G0049	DC60-40144A	BOLT HEX; F500,SM10C,T10,L35,DAMPER	SA	2

4. ASSY FRONT PARTS

ASSY FRONT PARTS

Exploded View



Parts List

No.	Lvl.	Loc.	Material Code	Description & Specification	SNA	Qty.
0	1		DC90-28645M	ASSY FRONT PARTS; WW5000T,WW80TA046TH/EU	SNA	1
1	2	W0105	6002-001438	SCREW-TAPPING; HWH,+,NO,1,M5,L12,ZPC(WHT)	SA	2
2	2		DC63-02831A	COVER FILTER; U-PJT,ABS,T2.5,DA WHITE,HG-	SA	1
3	2	W0608	DC91-12078D	ASSY WIRE DIAPHRAGM; HEBA-PJT,-,-,-,-,-	SA	1
4	2		DC97-22289C	ASSY COVER DOOR SWITCH; WW6000T	SA	1
5	2	W0253	DC97-22430E	ASSY FRAME FRONT; U-PJT, NONE ADD WASH,BA	SNA	1
5-1	3	G0425	6009-001522	SCREW-HEX; HWH,+,M5,L16,PASS,STS304,FP,SE	SA	2

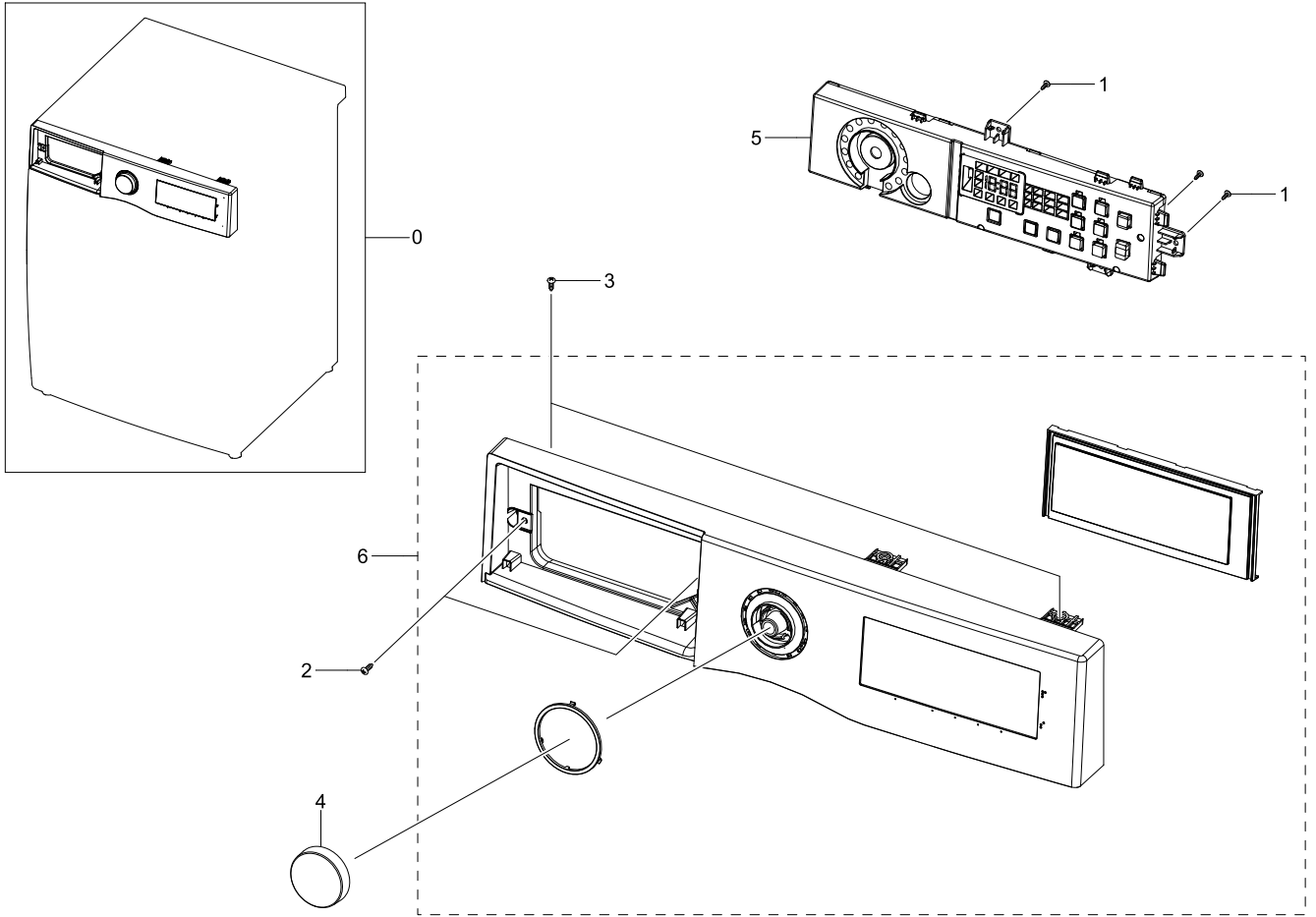
Exploded Views and Parts List

No.	Lvl.	Loc.	Material Code	Description & Specification	SNA	Qty.
5-2	3		DC61-05452A	GUIDE FILTER; WW90T754DBX/S6,PP,T2.5,RM60	SA	1
5-3	3		DC97-22382G	ASSY FRAME FRONT-MODULE; WW5000T,NO ADD W	SA	1
5-3-1	4		DC61-01919B	BRACKET HINGE; WW6500K,GI-SGCC,T1.4,-,-,-	SA	1
5-3-2	4		DC61-05186C	FRAME FRONT; WW6000T,GI-SGCD,DA WHITE,T0.	SNA	1
5-4	3	W0459	DC97-22399F	ASSY DOOR-MODULE; U-PJT,NONE ADD WASH, BA	SA	1
5-4-1	4		DC63-02618A	COVER DOOR; WW5000T,ABS,T3,DA WHITE,HG-07	SNA	1
5-4-2	4	WD0070	DC64-01521A	DOOR GLASS; WF8804DP,GLASS,T5,-,-,NATURAL	SA	1
5-4-3	4	W0474	DC66-00375A	LEVER DOOR; 10KG DRUM, U-PJT,ZNDC,T2.5,NI	SA	1
5-4-4	4	W0454	DC97-22130A	ASSY HOLDER GLASS; WW8000T,NON ADD WASH	SNA	1
5-4-4-1	5		DC61-02197A	GUIDE WIRE; WD9500JK,POM,T1,M90-44,NATURA	SA	1
5-4-4-2	5		DC97-20016A	ASSY HINGE DOOR; WW6500, WW5500, WW4500	SNA	1
5-4-4-2-1	6	WD0090	DC61-00891A	GUIDE HINGE; HAUZEN(DOM),POM,-,-,K300,NAT	SA	3

5. ASSY PANEL CONTROL PARTS

ASSY PANEL CONTROL PARTS

Exploded View



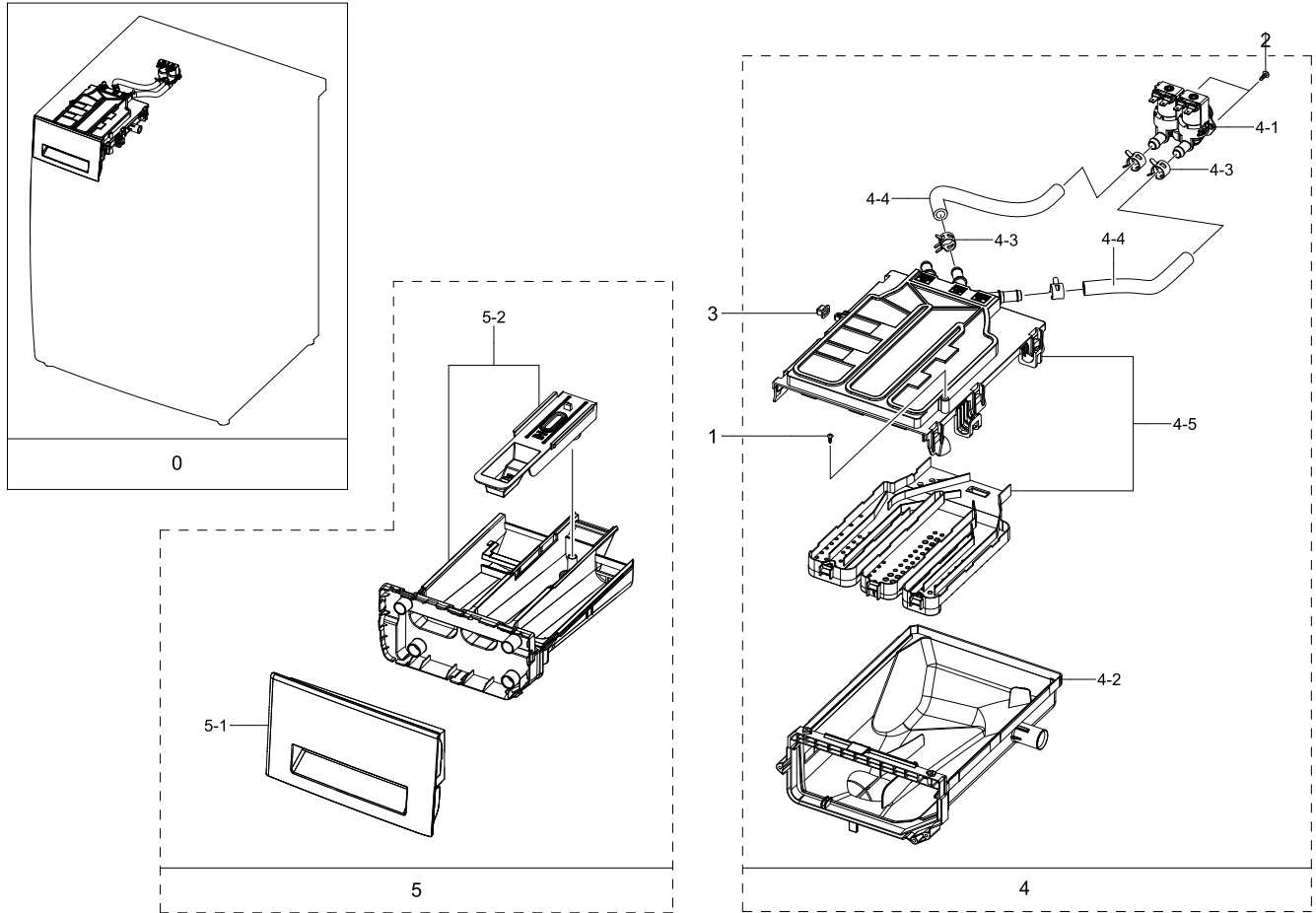
Parts List

No.	Lvl.	Loc.	Material Code	Description & Specification	SNA	Qty.
0	1		DC90-31226D	ASSY PANEL CONTROL PARTS; WW5000C,BETTER,	SNA	1
1	2	WX0412	6002-000213	SCREW-TAPPING; TH,+,1,M4,L12,ZPC(WHT),SWR	SNA	3
2	2	W0105	6002-000445	SCREW-TAPPING; TH,+,NO,2,M4,L18,PASS,STS4	SNA	2
3	2	WX0441	6002-000520	SCREW-TAPPING; TH,+,2,M4,L12,ZPC(WHT),SWR	SNA	12
4	2		DC64-03921T	KNOB ENCODER; AI 3.0,ABS,-,HB,DA WHITE,-,	SNA	1
5	2		DC92-03504A	ASSY PCB DISPLAY; FWM_INV WASH,WW5000C_TO	SA	1
6	2		DC97-24026D	ASSY PANEL CONTROL-MODULE; WW5000C,DA WHI	SA	1

6. ASSY DRAWER PARTS

ASSY DRAWER PARTS

Exploded View



Parts List

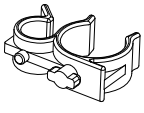
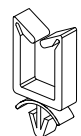
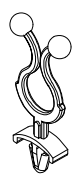

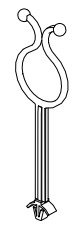

No.	Lvl.	Loc.	Material Code	Description & Specification	SNA	Qty.
0	1		DC90-31190A	ASSY DRAWER PARTS; WW5000C,MANUAL DISPENS	SNA	1
1	2	WX0441	6002-000520	SCREW-TAPPING; TH,+,2,M4,L12,ZPC(WHT),SWR	SNA	12
2	2	F0055	6003-000226	SCREW-TAPTYPE; SWRCH18A,ZPC(WHT),L8,M4,TH	SC	2
3	2		DC67-00327A	CAP DRAWER HOOK; HEBA-PJT,EPDM,-,-,BLAC	SA	1
4	2		DC97-22247T	ASSY HOUSING DRAWER-MODULE; WW5000B,B-PJT	SA	1
4-1	3		DC33-01010A	VALVE WATER; DC12V,Bracket,mm,#250,1,2,11	SA	1
4-2	3	W0372	DC61-03473A	HOUSING DRAWER-LOW; WF-F500E,PP+TD30%,-,N	SA	1

No.	Lvl.	Loc.	Material Code	Description & Specification	SNA	Qty.
4-3	3	W0615	DC65-00008A	CLAMPER HOSE; SEW-DR605,SK5,-,-,-,ID14.	SA	4
4-4	3	W0151	DC67-00051T	HOSE DRAWER; F500E,EPDM,ID9.0,OD14.5,L230	SA	2
4-5	3	W0497	DC97-17347F	ASSY S.HOUSING DRAWER; WW5000B,B-PJT	SA	1
5	2		DC97-24024A	ASSY DRAWER-MODULE; WW5000C,DA WHITE,N-AD	SA	1
5-1	3		DC64-04292A	PANEL DRAWER; WW5000C,ABS,-,-,HG-0760GP,D	SNA	1
5-2	3	W0216	DC97-23346A	ASSY DRAWER; WW7000B,WW11BB704AGE,NON-AOW	SA	1

7. SMALL PARTS

SMALL PARTS

Exploded View

				
1	2	3	4	5
				
6				

Parts List

No.	Lvl.	Loc.	Material Code	Description & Specification	SNA	Qty.
1	2	W0615	DC61-00133D	CLAMPER HOSE; WW80T554,PP,BLACK,-,-,SSPP-	SNA	3
2	2	M0001	DC61-00553B	CABLE CLAMP; DAWS-3NE,PA66,NTR	SA	2
3	2		6502-000127	CABLE CLAMP; DAWH-18NB,PA66,NTR	SA	1
4	2		DC65-20010A	CABLE CLAMP; DA-9N-1,NYLON66,NTR	SNA	1
5	2	WI0293	DC61-00995C	HOLDER WIRE; HEBA-PJT,PA66,-,NATURAL,-,-,	SA	1
6	2	W0623	DC61-40083A	HOLDER WIRE; DAWH-3ND,PA66,-,NATURAL,-,-,	SA	1