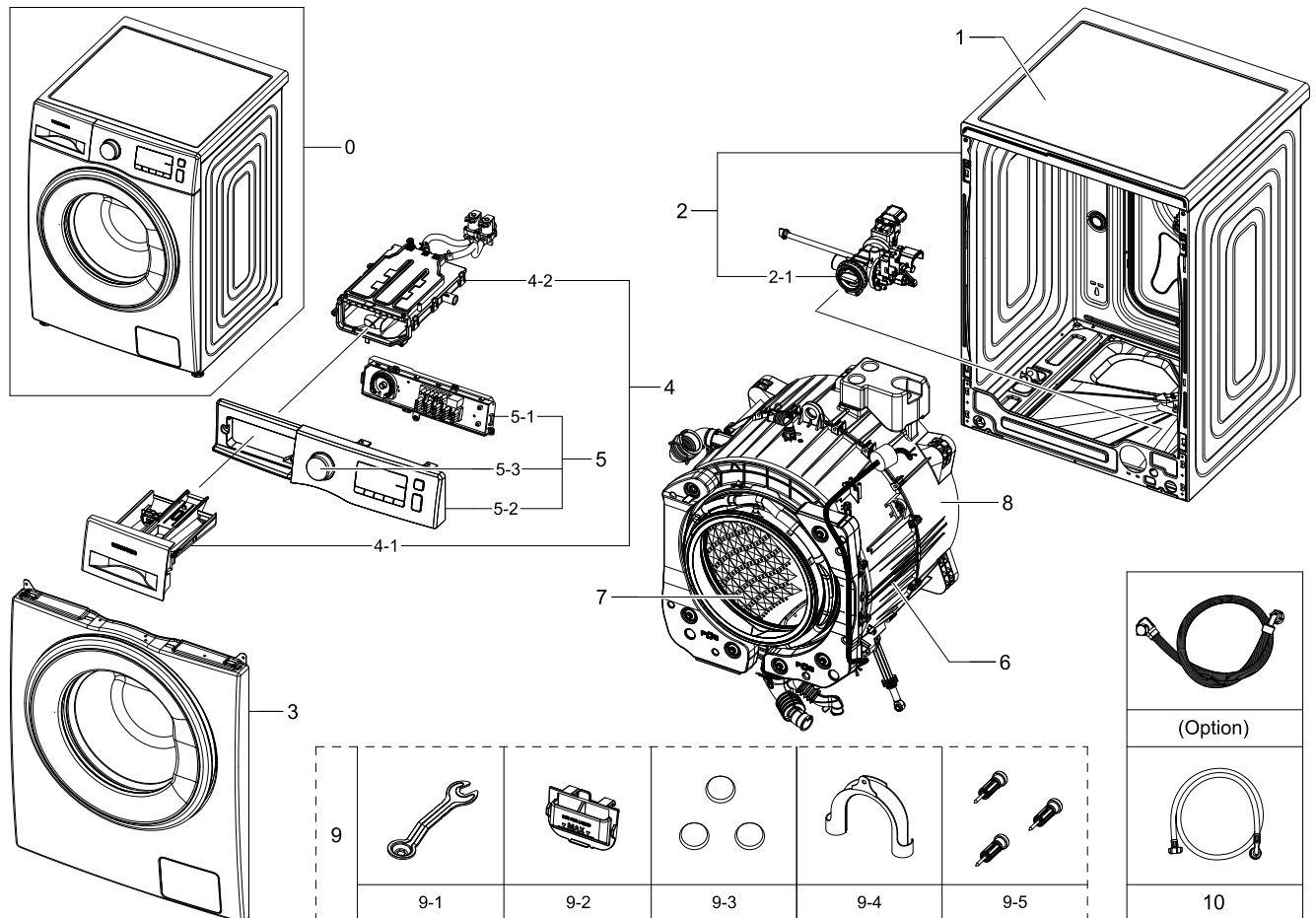


# 1. WW70J5555FW/EC

## Exploded View



## Parts List

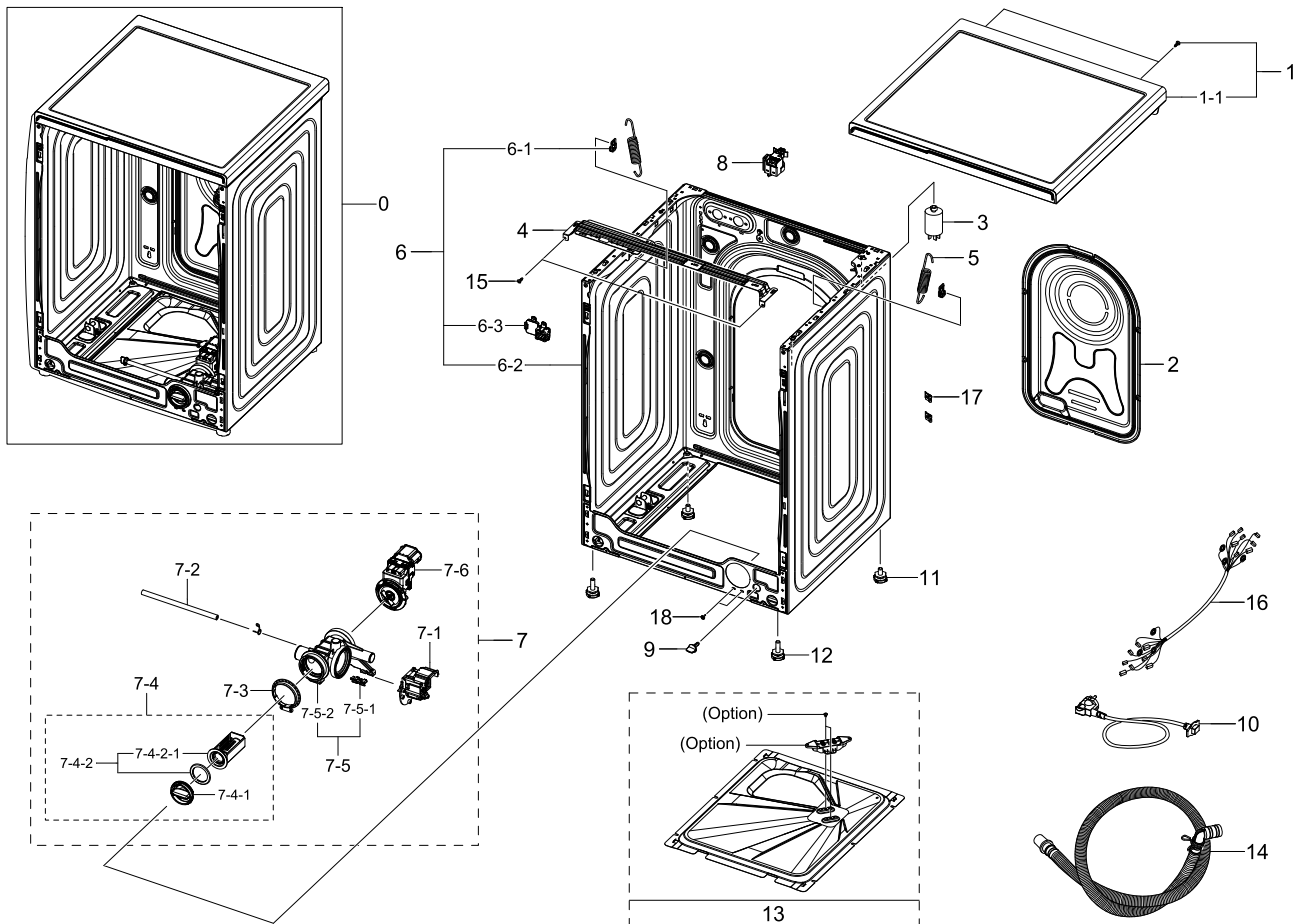
| No. | Lvl. | Loc.  | Material Code | Description & Specification                  | SNA | Qty. |
|-----|------|-------|---------------|--|-----|------|
| 1   | 1    | W0183 | DC90-22244A   | ASSY COVER TOP; F500E,J3 9kg                 | SNA | 1    |
| 2   | 1    |       | DC90-24253E   | ASSY FRAME PARTS; WW5000,WHITE,Uni           | SNA | 1    |
| 2-1 | 2    | W0194 | DC97-17336C   | ASSY PUMP DRAIN;<br>WW6500K,BUBBLE,AL-PUMP,2 | SA  | 1    |
| 3   | 1    |       | DC90-24245B   | ASSY FRONT PARTS; WW5000,White,Label Warr    | SNA | 1    |
| 4   | 1    | W0216 | DC90-12798A   | ASSY DRAWER; F500,UNI,WHT,COLD               | SNA | 1    |
| 4-1 | 2    | W0216 | DC97-17310B   | ASSY DRAWER; F500E,WF80F50FU4W               | SA  | 1    |
| 4-2 | 2    | W0163 | DC97-17311A   | ASSY HOUSING DRAWER;<br>F500E,WF80F50FU4W,PP | SA  | 1    |
| 5   | 1    |       | DC90-00013X   | ASSY PANEL CONTROL PARTS;<br>WW5000J,WW70J55 | SNA | 1    |
| 5-1 | 2    |       | DC94-07382A   | ASSY PCB EEPROM; 0032,EEPROM,WW5000J,UNI,    | SA  | 1    |
| 5-2 | 2    | W0478 | DC97-20133L   | ASSY PANEL CONTROL; 5000 '15,WW80J5455DW/    | SA  | 1    |
| 5-3 | 2    |       | DC64-03312B   | KNOB ENCODER; F500E,ABS+PMMA,BK0018,<br>TP00 | SA  | 1    |

Exploded Views and Parts List

| No. | Lvl. | Loc.   | Material Code | Description & Specification               | SNA | Qty. |
|-----|------|--------|---------------|---|-----|------|
| 6   | 1    | G0048  | DC90-12369A   | ASSY TUB FRONT; F500E,WF80F5E5U4W/EF      | SNA | 1    |
| 7   | 1    | W0165  | DC90-12363A   | ASSY DRUM; F500E,WF80F5E5U4W/EF           | SNA | 1    |
| 8   | 1    | W0501  | DC90-12768A   | ASSY TUB BACK; WF80F5E5W4W/EF             | SNA | 1    |
| 9   | 1    | W0718  | DC90-12364A   | ASSY ACCESSORY; F500E,WF80F5E5U4W/EF      | SNA | 1    |
| 9-1 | 2    | WJ5077 | DC60-40146A   | BOLT SPANER; PO-SPHC,T2.5,L166            | SA  | 1    |
| 9-2 | 2    |        | DC61-03510A   | GUIDE LIQUID; WF-F500E,PP,MT43,Honesty Bl | SA  | 1    |
| 9-3 | 2    | W0614  | DC67-00307A   | CAP-FIXER; WF438AAC/XAA,PP,T1.5,RECYCLE,B | SC  | 3    |
| 9-4 | 2    | W0626  | DC67-00357A   | HOSE-HANGER; SEM,PP,ID24.13,T2.0,GRAY     | SA  | 1    |
| 9-5 | 2    | W0603  | DC97-14653C   | ASSY FIXER TUB; SCOUT,WF0804Y8E/XEF       | SA  | 3    |
| 10  | 2    | W0757  | DC97-17845A   | ASSY HOSE WATER; COLD,ALL MODEL           | SA  | 1    |

## 2. Assy Frame&Cover Parts

### Exploded View



### Parts List

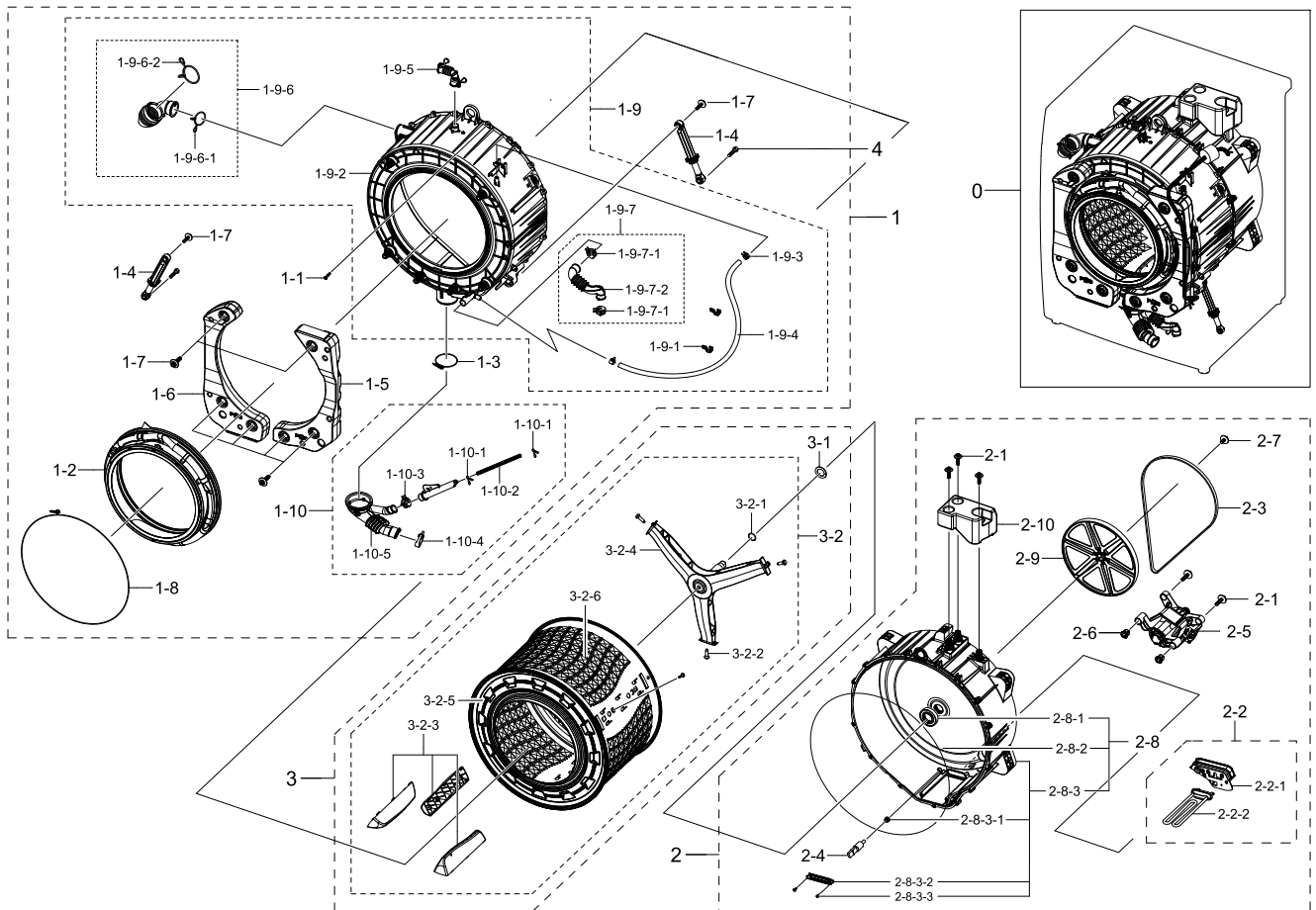
| No. | Lvl. | Loc.   | Material Code | Description & Specification                  | SNA | Qty. |
|-----|------|--------|---------------|--|-----|------|
| 1   | 1    | W0183  | DC90-22244A   | ASSY COVER TOP; F500E,J3 9kg                 | SNA | 1    |
| 1-1 | 2    | W0183  | DC97-17254F   | ASSY COVER TOP; F500,DA WHITE, 8kg           | SA  | 1    |
| 2   | 2    |        | DC63-01034D   | COVER BACK; W6000J,GI-SGCC,T0.35             | SA  | 1    |
| 3   | 2    | W0620  | DC29-00005A   | FILTER EMI; VDE,1.2mH MIN/1/-,38*81*PI38,    | SC  | 1    |
| 4   | 2    | W0248  | DC61-03467A   | FRAME PLATE-UP; WF-F500E,GI-SGCC,T1,L581,    | SA  | 1    |
| 5   | 2    | W0630  | DC61-02146B   | SPRING ETC-HANGER; F500E PJT,HSWR,CD3.5,O    | SA  | 2    |
| 6   | 2    | W0506  | DC97-17325E   | ASSY FRAME; F500E,DA WHITE,COLD,UNI          | SA  | 1    |
| 6-1 | 3    | WI0266 | DC61-02065A   | GUIDE SPRING;<br>WF448AAG/XXA,POM,T4,W24,L36 | SA  | 2    |
| 6-2 | 3    | W0244  | DC61-03459E   | FRAME; F500E,GI-SGCC,DA WHITE,T0.7,PCM2C,    | SNA | 1    |
| 6-3 | 3    |        | DC63-02181A   | COVER CONNECTOR; WW5500K<br>(SEHC),PP,HB,NAT | SA  | 1    |
| 7   | 2    | W0194  | DC97-17336C   | ASSY PUMP DRAIN;<br>WW6500K,BUBBLE,AL-PUMP,2 | SA  | 1    |

## Exploded Views and Parts List

| No.     | Lvl. | Loc.   | Material Code | Description & Specification                  | SNA | Qty. |
|---------|------|--------|---------------|--|-----|------|
| 7-1     | 3    |        | DC31-00181E   | MOTOR AC PUMP; Drum,S3032,2Pole,220-240V,    | SA  | 1    |
| 7-2     | 3    | U2015  | DC67-00244C   | HOSE DRAIN; WF0804Y8E,EPDM,ID6,OD11,T2.5,    | SA  | 1    |
| 7-3     | 3    |        | DC69-01128A   | PACKING-PUMP; WF8804DP,IIR,BUTYL,T2.5,HEB    | SA  | 1    |
| 7-4     | 3    | G0050  | DC97-15695A   | ASSY FILTER; GRIFFIN-PJT,WF9804RWE,PP+EPD    | SA  | 1    |
| 7-4-1   | 4    | WI0357 | DC64-01317A   | HANDLE FILTER; BAIKAL,PP,FC2210,GRAY         | SA  | 1    |
| 7-4-2   | 4    |        | DC97-19203A   | ASSY SEMI FILTER; F500/400, WW6000/3000,B    | SNA | 1    |
| 7-4-2-1 | 5    | W0633  | DC63-00998A   | FILTER PUMP; SCOUT-PJT,PP,-,NEAT WHITE,BU    | SA  | 1    |
| 7-5     | 3    | W0514  | DC97-19376A   | ASSY CASE FILTER; F500E,WF80F5E5U4W/EF,BU    | SA  | 1    |
| 7-5-1   | 4    | WO0031 | DC63-00905A   | CUSHION PUMP; WF8802DPF/XET,NBR,-,W37.6,L    | SA  | 1    |
| 7-5-2   | 4    | W0479  | DC61-02271B   | CASE PUMP; WF0804Y8E/XEF,PP,T2.5,W153.6,L    | SA  | 1    |
| 7-6     | 3    |        | DC31-00181A   | MOTOR AC PUMP; Drum & Auto,B15-6A/S3019/S30  | SA  | 1    |
| 8       | 2    | H2050  | DC96-01703G   | SENSOR PRESSURE; Air,5V,L0,400mmH2O          | SA  | 1    |
| 9       | 3    | WI0107 | DC61-10673A   | CAP DRAIN; WF220ANW,PP,CNTK-P-101,INNER G    | SA  | 1    |
| 10      | 2    | W0467  | DC96-00146H   | POWER CORD-AT; H05VV-F 3x1.0mm2,GRY,EU3F,    | SA  | 1    |
| 11      | 2    | W0606  | DC97-00920U   | ASSY LEG; F500E,WF80F5E5U4W/EF,H33.5,P1.5    | SA  | 2    |
| 12      | 2    | W0606  | DC97-00920C   | ASSY LEG; SEW-HW108,L48.5,M10                | SA  | 2    |
| 13      | 2    | W0462  | DC61-03478A   | COVER-BOTTOM; WF-F500E,GI-SGCC,T0.4          | SA  | 1    |
| 14      | 2    | W0604  | DC97-16240B   | ASSY HOSE DRAIN(O); F500E,WF80F5E5,ASSY,L    | SA  | 1    |
| 15      | 2    | W0102  | 6009-001240   | SCREW-SPECIAL; TH,+,M5,L13.5,ZPC(WHT),SWR    | SA  | 2    |
| 16      | 2    | W0080  | DC93-00353C   | ASSY M.GUIDE WIRE HARNESS; DRUM              | SA  | 1    |
| 17      | 2    |        | DD61-00140A   | BRACKET-TAPPING;<br>SDW-T120B,SWRCH10A,T0.6, | SNA | 2    |
| 18      | 2    | M0030  | DC97-14006A   | ASSY SCREW; WF203,M4/L16                     | SA  | 2    |

## 3. Assy Tub&Drum Parts

### Exploded View



### Parts List

| No. | Lvl. | Loc.  | Material Code | Description & Specification                  | SNA | Qty. |
|-----|------|-------|---------------|--|-----|------|
| 1   | 1    | G0048 | DC90-12369A   | ASSY TUB FRONT; F500E,WF80F5E5U4W/EF         | SNA | 1    |
| 1-1 | 2    | G0049 | 6009-001367   | BOLT-HEX; M6.5,L32,ZPC(WHT),SWRCH18A,HWH     | SA  | 15   |
| 1-2 | 2    | W0234 | DC64-02888A   | DOOR DIAPHRAGM;<br>WF80F5E5U4W,TPE,T2.4,GRAY | SA  | 1    |
| 1-3 | 2    | W0744 | DC65-00021A   | CLAMPER HOSE-JOINT; HEBA PJT,HSWR            | SA  | 1    |
| 1-4 | 2    | W0618 | DC66-00531C   | DAMPER SHOCK; HEBA,PP,WHITE,80±20N,LONG      | SA  | 2    |
| 1-5 | 2    | W0232 | DC67-00681A   | WEIGHT BALANCER-RIGHT;<br>F500,CONCRETE,NATU | SA  | 1    |
| 1-6 | 2    | W0233 | DC67-00682A   | WEIGHT BALANCER-LEFT;<br>F500,CONCRETE,NATUR | SA  | 1    |
| 1-7 | 2    | W0601 | DC97-14263A   | ASSY BOLT;<br>MOTOR/BOLT(M8)+WASHER(OD27.5), | SA  | 8    |
| 1-8 | 2    | M0038 | DC97-14618A   | ASSY CLAMP DIAPHRAGM;<br>WF8804DP,OD2.0/L124 | SA  | 1    |
| 1-9 | 2    | W0636 | DC97-17327C   | ASSY SEMI TUB FRONT; F500E                   | SNA | 1    |

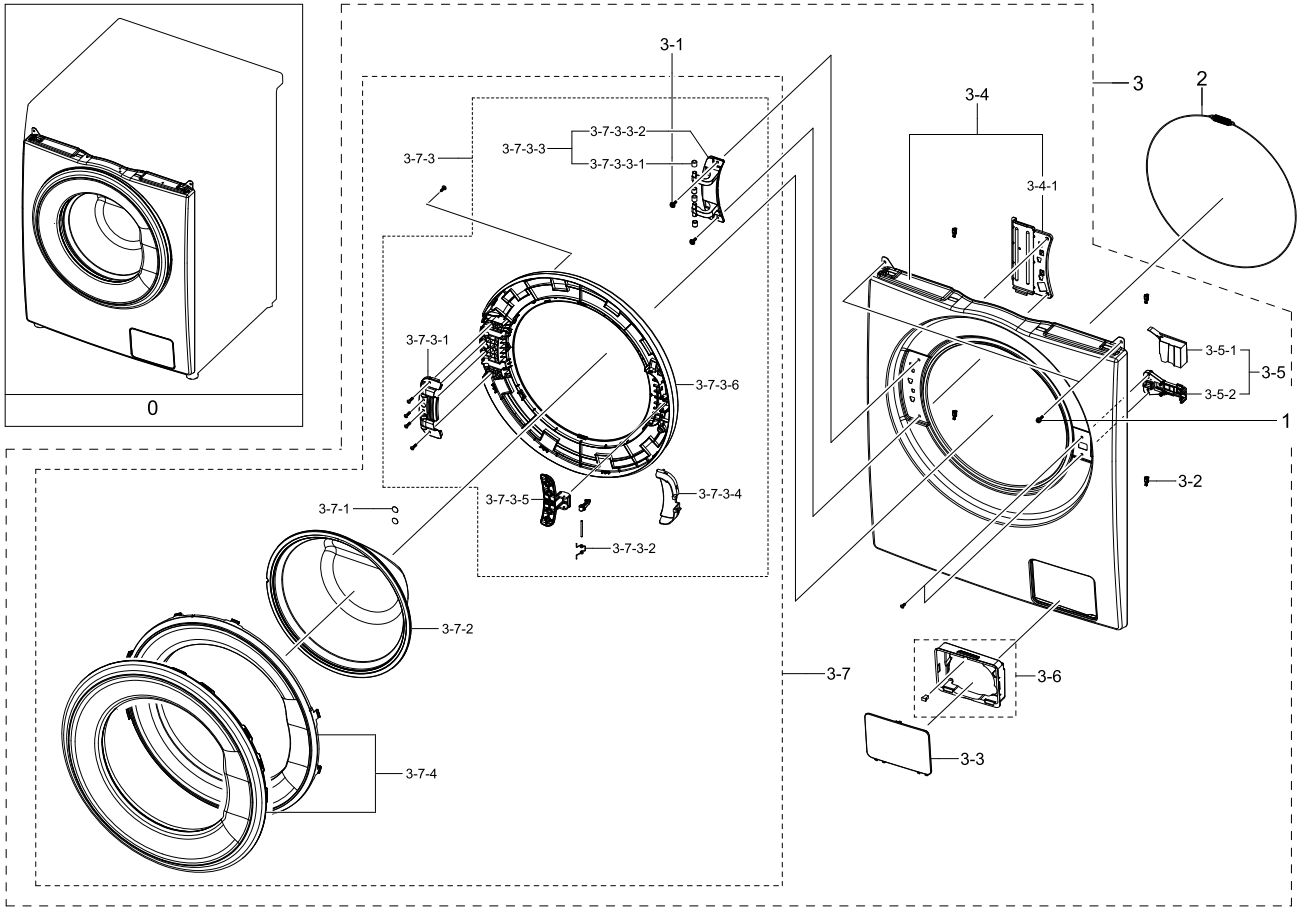
## Exploded Views and Parts List

| No.     | Lvl. | Loc.   | Material Code | Description & Specification                  | SNA | Qty. |
|---------|------|--------|---------------|--|-----|------|
| 1-9-1   | 3    | G0415  | DC61-02646A   | GUIDE HOSE; WF0804Y8E,PP,T2,W9.8,L36.6,RM    | SA  | 2    |
| 1-9-2   | 3    | W0632  | DC61-03453A   | TUB FRONT; F500,FRPP,OD 546.1,NTR,BUBBLE     | SA  | 1    |
| 1-9-3   | 3    | W0615  | DC65-00008A   | CLAMPER HOSE; SEW-DR605,SK5,-,ID14.2/T0.9    | SA  | 1    |
| 1-9-4   | 3    | G0052  | DC67-00471E   | HOSE CIRCULATION; F500E,EPDM,ID9.0,BLK       | SA  | 1    |
| 1-9-5   | 3    | G0422  | DC97-14873C   | ASSY HOSE AIR; F500,WF80F5E5U4W              | SA  | 1    |
| 1-9-6   | 3    | G0043  | DC97-14874F   | ASSY HOSE DRAWER; F500E,ALL                  | SA  | 1    |
| 1-9-6-1 | 4    |        | DC61-04117A   | CLIP RING; HSWR,T3.0                         | SA  | 1    |
| 1-9-6-2 | 4    | WJ0027 | DC72-00001G   | CLIP RING; HEBA-PJT,HSWR,T3.0,ID49.5,W18,    | SA  | 1    |
| 1-9-7   | 3    |        | DC97-17339B   | ASSY HOSE AIR; WW5000J,BUBBLE,ID 19.3,BLK    | SA  | 1    |
| 1-9-7-1 | 4    |        | DC61-00158B   | CLAMPER HOSE; UBS,SK5                        | SNA | 2    |
| 1-9-7-2 | 4    | G0053  | DC67-00671A   | HOSE AIR TUB; F500,EPDM,19.3,29,T2.5,50,B    | SA  | 1    |
| 1-10    | 2    | W0605  | DC97-17330A   | ASSY HOSE PRESSURE; F500E,WF80F5E5U4W/EF     | SA  | 1    |
| 1-10-1  | 3    | WP0165 | DC61-70029C   | CLIP RING; SEW-HW125,HSWR,WHITE              | SA  | 2    |
| 1-10-2  | 3    | W0725  | DC67-00230E   | HOSE WATER; WD8704,TPE,ID4.5                 | SA  | 1    |
| 1-10-3  | 3    | W0615  | DC61-00219M   | CLAMPER HOSE; SK5,WHITE                      | SNA | 1    |
| 1-10-4  | 3    | W0615  | DC61-00219C   | CLAMPER HOSE; -,SK5,WLSL1100A,ID35,-,ZPC2    | SA  | 1    |
| 1-10-5  | 3    | W0625  | DC67-00551A   | HOSE FILTER TUB; VOLGA,EPDM,ID64.5,OD70,T    | SNA | 1    |
| 2       | 1    | W0501  | DC90-12768A   | ASSY TUB BACK; WF80F5E5W4W/EF                | SNA | 1    |
| 2-1     | 2    | W0601  | DC97-14263A   | ASSY BOLT;<br>MOTOR/BOLT(M8)+WASHER(OD27.5), | SA  | 5    |
| 2-2     | 2    | G0420  | DC93-00355A   | ASSY HEATER; SEPM,230V,2000W,NTR             | SNA | 1    |
| 2-2-1   | 3    | W0235  | DC63-01553A   | COVER HEATER; F500 PJT,ABS+PC,W77,L168.1,    | SA  | 1    |
| 2-2-2   | 3    | W0237  | DC47-00033B   | HEATER WASH; AC230V,2000W,SUS316L,728mm,N    | SA  | 1    |
| 2-3     | 2    | W0209  | 6602-003939   | BELT-TIMING GEAR; RUBBER,T3.2,W11.7,L1270    | SA  | 1    |
| 2-4     | 2    | M0487  | DC32-00010C   | THERMISTOR; WASHER,-10~100,5,5,3.243k ± 2    | SA  | 1    |
| 2-5     | 2    | W0086  | DC31-00123F   | MOTOR UNIVERSIAL DRIVE; Welling(UML 5204.    | SA  | 1    |
| 2-6     | 2    | WS0064 | DC61-02549A   | BUSH MOTOR; HEBA BIGBANG,PA,NATURE           | SA  | 2    |
| 2-7     | 2    | W0601  | DC97-06080F   | ASSY BOLT; WD9500J,30,M12,Washer 38          | SA  | 1    |
| 2-8     | 2    | W0501  | DC97-17334A   | ASSY TUB BACK; F500E,WF80F5E5U4W/EF          | SA  | 1    |
| 2-8-1   | 3    | WS0119 | DC62-00008A   | SEAL OIL; NBR,BLACK,-,NBU                    | SA  | 1    |
| 2-8-2   | 3    | W0740  | DC69-01769A   | PACKING-TUB; ARNO,EPDM,EPDM,T5.5,L1720,BL    | SNA | 1    |
| 2-8-3   | 3    | G0029  | DC97-17329A   | ASSY SEMI TUB BACK; F500E,WF80F5E5U4W/EF     | SNA | 1    |
| 2-8-3-1 | 4    | M0028  | DC69-00824A   | PACKING-THERMISTOR; GW-PJT,EPDM,-,-,W17,H    | SA  | 1    |
| 2-8-3-2 | 4    | W0230  | DC61-02874A   | BRACKET HEATER; WD0704CQR,STS430,T0.5        | SA  | 1    |
| 2-8-3-3 | 4    | W0105  | 6002-000473   | SCREW-TAPPING; TH,+,NO,1,M4,L14,PASS,STS3    | SA  | 2    |
| 2-9     | 2    | W0434  | DC66-00767A   | PULLEY MOTOR; F500,PA66,NATURAL,OD296.8      | SA  | 1    |
| 2-10    | 2    | W0231  | DC67-00670A   | WEIGHT BALANCER-UP; F500,CONCRETE,4.0KG      | SA  | 1    |
| 3       | 1    | W0165  | DC90-12363A   | ASSY DRUM; F500E,WF80F5E5U4W/EF              | SNA | 1    |
| 3-1     | 2    | WS0131 | DC60-00069A   | SPACER; WR-HA139WA,STS304                    | SA  | 1    |
| 3-2     | 2    | W0165  | DC97-17231A   | ASSY DRUM; F500 PJT                          | SA  | 1    |
| 3-2-1   | 3    |        | 6044-002157   | RING-OG; ID28,OD32.2,T2.1,BLK,NBR            | SA  | 1    |

| No.   | Lvl. | Loc.   | Material Code | Description & Specification               | SNA | Qty. |
|-------|------|--------|---------------|---|-----|------|
| 3-2-2 | 3    | WJ5081 | DC60-40137A   | BOLT HEX; MARS-PJT,STS430,M8,P1.25,L30,HE | SA  | 3    |
| 3-2-3 | 3    | W0619  | DC66-00759A   | DRUM LIFTER; F500 PJT,PP,W52,H45.8,L246,- | SA  | 3    |
| 3-2-4 | 3    | W0164  | DC97-17234A   | ASSY FLANGE SHAFT; F500 PJT               | SA  | 1    |
| 3-2-5 | 3    | W0748  | DC66-00756A   | DRUM FRONT; F500 PJT,STS430,ID311,OD525,T | SNA | 1    |
| 3-2-6 | 3    |        | DC66-00757A   | DRUM WRAPPER; F500 PJT,STS430,ID503,T0.5  | SNA | 1    |
| 4     | 2    | G0049  | DC60-40144A   | BOLT HEX; SM10C,L35,ZPC2(YEL),M10,ZPC2(YE | SA  | 2    |

# 4. Assy Front Parts

## Exploded View



## Parts List

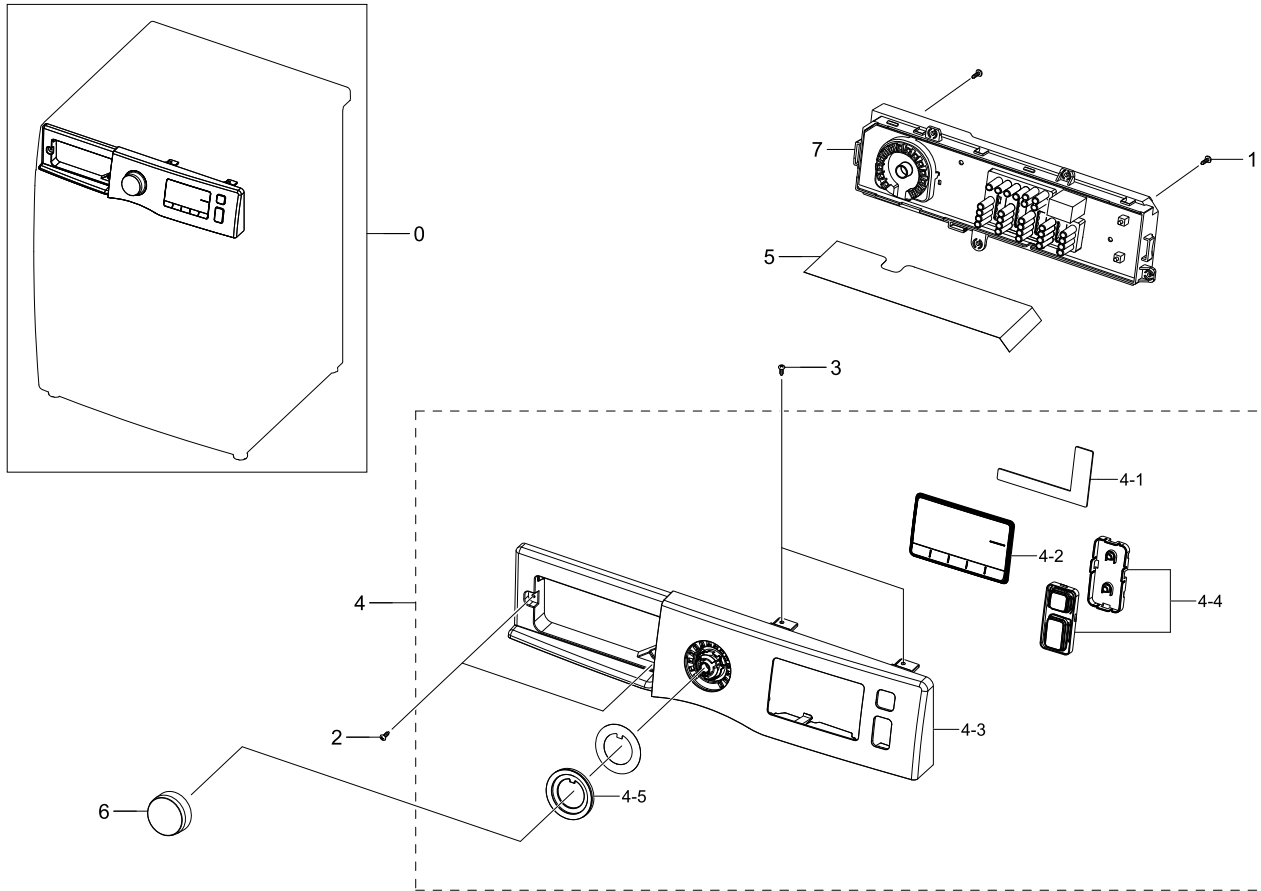
| No.   | Lvl. | Loc.  | Material Code | Description & Specification                  | SNA | Qty. |
|-------|------|-------|---------------|--|-----|------|
| 0     | 1    |       | DC90-24245B   | ASSY FRONT PARTS; WW5000,White,Label Warr    | SNA | 1    |
| 1     | 2    | W0105 | 6002-001438   | SCREW-TAPPING;<br>HWH,+,NO,1,M5,L12,ZPC(WHT) | SA  | 2    |
| 2     | 2    | W0608 | DC91-12078D   | ASSY WIRE DIAPHRAGM; HEBA-PJT,-,-,-,-        | SA  | 1    |
| 3     | 2    | W0253 | DC97-20039G   | ASSY FRAME FRONT; WW5000,Crystal Gloss '1    | SNA | 1    |
| 3-1   | 3    | G0425 | 6009-001522   | SCREW-HEX; HWH,+,M5,L16,PASS,STS430,FP,SE    | SA  | 2    |
| 3-2   | 3    |       | DC61-02577B   | GUIDE FRAME FRONT;<br>WF1802XEC,POM,NATURAL, | SA  | 4    |
| 3-3   | 3    |       | DC63-00920M   | COVER FILTER; ADD WASH,ABS,T2.5,DA<br>WHITE, | SA  | 1    |
| 3-4   | 3    |       | DC97-17482D   | ASSY FRAME FRONT-SEMI;<br>F500E,WF70F5E2Q4W/ | SA  | 1    |
| 3-4-1 | 4    | W0226 | DC61-02584A   | BRACKET HINGE; GI-SGCC,T1.4,-                | SA  | 1    |
| 3-5   | 3    |       | DC97-19086A   | ASSY COVER DOOR SWITCH; F500                 | SNA | 1    |



| No.       | Lvl. | Loc.   | Material Code | Description & Specification                  | SNA | Qty. |
|-----------|------|--------|---------------|--|-----|------|
| 3-5-1     | 4    | WE0059 | DC63-00967A   | COVER DOOR SWITCH; AEGIS-PJT/<br>WF8500NHW,P | SNA | 1    |
| 3-5-2     | 4    | WE0067 | DC64-01538A   | SWITCH DOOR LOCK; AC250V,16,BIMETAL          | SA  | 1    |
| 3-6       | 3    |        | DC97-20168A   | ASSY FILTER GUIDE;<br>F500,WW5,WW6,WF80F5E5U | SA  | 1    |
| 3-7       | 3    | W0459  | DC97-20028A   | ASSY DOOR; WW5000J,GENTEL BLUE               | SA  | 1    |
| 3-7-1     | 4    |        | DC64-03166A   | INLAY-HOLDER GLASS;<br>WD9000HK,PET,T0.3,DAR | SA  | 2    |
| 3-7-2     | 4    | WD0070 | DC64-01521A   | DOOR GLASS; WF8804DP,GLASS,T5,H120.5,NAT,    | SA  | 1    |
| 3-7-3     | 4    | W0454  | DC97-20026A   | ASSY HOLDER GLASS; WW5000J,VERSAILLES<br>GRA | SNA | 1    |
| 3-7-3-1   | 5    |        | DC61-01915E   | BRACKET HOLDER;<br>WW5000J,GI-SGCC,T1.2,F500 | SNA | 1    |
| 3-7-3-2   | 5    | WD0130 | DC61-02027A   | SPRING ETC LEVER; STS304,CD1.2,L10.6         | SA  | 1    |
| 3-7-3-3   | 5    |        | DC97-19085B   | ASSY HINGE DOOR; WW5000J                     | SA  | 1    |
| 3-7-3-3-1 | 6    | WD0090 | DC61-00891A   | GUIDE HINGE;<br>HAUZEN(DOM),POM,B,white,HING | SA  | 4    |
| 3-7-3-3-2 | 6    |        | DC61-04448A   | HINGE DOOR; WW5000J,ALDC,T5                  | SA  | 1    |
| 3-7-3-4   | 5    | G0428  | DC63-01541C   | COVER HANDLE; F400E,ABS,-,HB,VERSAILLES<br>G | SNA | 1    |
| 3-7-3-5   | 5    | W0722  | DC64-03471A   | HANDLE DOOR;<br>WW6/5/4100K,ABS,HG-0760GP,VE | SNA | 1    |
| 3-7-3-6   | 5    | G0427  | DC61-04447A   | HOLDER GLASS; WW5000J,PP,VERSAILLES<br>GRAY, | SNA | 1    |
| 3-7-4     | 4    | W0457  | DC97-20027A   | ASSY COVER DOOR; WW5000J,GENTLE BLUE<br>DOOR | SNA | 1    |

# 5. Assy Panel Control Parts

## Exploded View



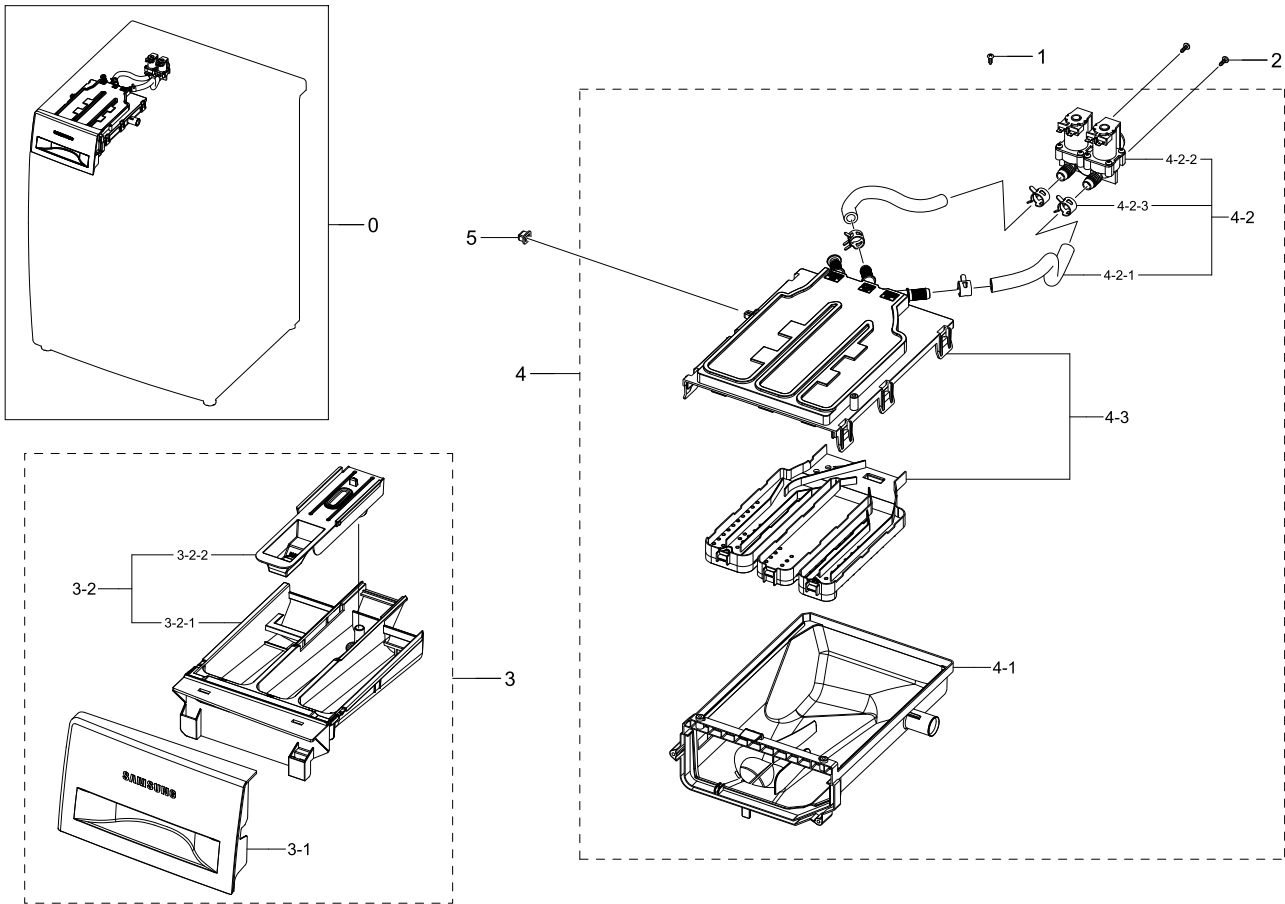
## Parts List

| No. | Lvl. | Loc.   | Material Code | Description & Specification                  | SNA | Qty. |
|-----|------|--------|---------------|--|-----|------|
| 0   | 1    |        | DC90-00013X   | ASSY PANEL CONTROL PARTS;<br>WW5000J,WW70J55 | SNA | 1    |
| 1   | 2    | WX0412 | 6002-000213   | SCREW-TAPPING; TH,+,1,M4,L12,ZPC(WHT),SWR    | SNA | 4    |
| 2   | 2    | W0105  | 6002-000445   | SCREW-TAPPING; TH,+,NO,2,M4,L18,PASS,STS4    | SNA | 2    |
| 3   | 2    | WX0441 | 6002-000520   | SCREW-TAPPING; TH,+,2,M4,L12,ZPC(WHT),SWR    | SNA | 2    |
| 4   | 2    | W0478  | DC97-20133L   | ASSY PANEL CONTROL; 5000 '15,WW80J5455DW/    | SA  | 1    |
| 4-1 | 3    | W0897  | DC93-00540A   | ASSY SENSOR; F500 IML BEST,5V,7-BUTTON,TO    | SA  | 1    |
| 4-2 | 3    |        | DC64-03611A   | WINDOW PANEL; WW5000J,PMMA,FT6120,CLEAR<br>T | SNA | 1    |
| 4-3 | 3    | W0180  | DC64-02853E   | PANEL CONTROL; WW3000,7kg,ABS,HG-0760GP,D    | SNA | 1    |
| 4-4 | 3    | G0431  | DC97-17392A   | ASSY BUTTON; WF80F50FU4W/EF                  | SA  | 1    |
| 4-5 | 3    | G0443  | DC64-02856A   | WINDOW ENCODER;<br>F500E,PMMA,TF-0959T,GRAY  | SNA | 1    |
| 5   | 2    |        | DC63-01801A   | SHEET PCB; DV80H4100CW,PC,-,V0,3022R,BLAC    | SA  | 1    |

| No. | Lvl. | Loc. | Material Code | Description & Specification               | SNA | Qty. |
|-----|------|------|---------------|---|-----|------|
| 6   | 2    |      | DC64-03312B   | KNOB ENCODER; F500E,ABS+PMMA,BK0018,TP00  | SA  | 1    |
| 7   | 2    |      | DC94-07382A   | ASSY PCB EEPROM; 0032,EEPROM,WW5000J,UNI, | SA  | 1    |

# 6. Assy Drawer

## Exploded View



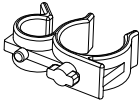
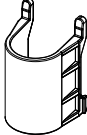


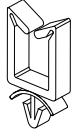


## Parts List

| No.   | Lvl. | Loc.   | Material Code | Description & Specification                  | SNA | Qty. |
|-------|------|--------|---------------|--|-----|------|
| 0     | 1    | W0216  | DC90-12798A   | ASSY DRAWER; F500,UNI,WHT,COLD               | SNA | 1    |
| 1     | 2    | WX0441 | 6002-000520   | SCREW-TAPPING; TH,+,2,M4,L12,ZPC(WHT),SWR    | SNA | 1    |
| 2     | 2    | F0056  | 6003-001768   | SCREW-TAPTYPE; TH,+,WT,S,M4,L10,ZPC(WHT),    | SNA | 2    |
| 3     | 2    | W0216  | DC97-17310B   | ASSY DRAWER; F500E,WF80F50FU4W               | SA  | 1    |
| 3-1   | 3    |        | DC64-02858B   | PANEL DRAWER; WF-F500E,ABS,-,HG-0760GP,DA    | SA  | 1    |
| 3-2   | 3    | W0216  | DC97-19194A   | ASSY DRAWER; F500E,Body Drawer+Cap Rinse     | SA  | 1    |
| 3-2-1 | 4    | W0156  | DC61-03480A   | BODY DRAWER; WF-F500E,PP,DA WHITE,WT0035,    | SA  | 1    |
| 3-2-2 | 4    | W0215  | DC67-00452A   | CAP RINSE; WF0800NCE,PP,MT43, PTN960,HONE    | SA  | 1    |
| 4     | 2    | W0163  | DC97-17311A   | ASSY HOUSING DRAWER;<br>F500E,WF80F50FU4W,PP | SA  | 1    |
| 4-1   | 3    | W0372  | DC61-03473A   | HOUSING DRAWER-LOW; WF-F500E,PP,-,WHITE,-    | SA  | 1    |
| 4-2   | 3    | G0420  | DC97-21341A   | ASSY HOSE; F500 platform,WF80F5E5U4W,Hose    | SA  | 1    |
| 4-2-1 | 4    | W0151  | DC67-00051T   | HOSE DRAWER; F500E,EPDM,ID9.0,OD14.5,L230    | SA  | 2    |
| 4-2-2 | 4    | W0078  | DC62-00024M   | VALVE WATER; AC220-240V,Bracket,1in 2out,    | SC  | 1    |

| No.   | Lvl. | Loc.  | Material Code | Description & Specification               | SNA | Qty. |
|-------|------|-------|---------------|---|-----|------|
| 4-2-3 | 4    | W0615 | DC65-00008A   | CLAMPER HOSE; SEW-DR605,SK5,-,ID14.2/T0.9 | SA  | 4    |
| 4-3   | 3    | W0497 | DC97-17347A   | ASSY S.HOUSING DRAWER; F500E,WF80F5E5U4W  | SA  | 1    |
| 5     | 2    |       | DC67-00327A   | CAP DRAWER HOOK; HEBA-PJT,EPDM,T1.1,BLK,W | SA  | 1    |

## 7. Small Parts

### Exploded View

|   |   |   |   |   |
|---|---|---|---|---|
|  |  |  |  |  |
| 1   | 2   | 3   | 4   | 5   |
|  |  |   |   |   |
| 6   | 7   |   |   |   |

### Parts List

| No. | Lvl. | Loc.   | Material Code | Description & Specification                  | SNA | Qty. |
|-----|------|--------|---------------|--|-----|------|
| 1   | 2    | W0616  | DC61-00133A   | CLAMPER HOSE-FIX;<br>P1291,PP,-,HOSE+PLUG,BJ | SA  | 2    |
| 2   | 2    |        | DC61-04251A   | GUIDE HOSE;<br>F500E,ABS,HG-0760GP,NATURAL   | SA  | 1    |
| 3   | 2    | WI0293 | DC61-00995C   | HOLDER WIRE;<br>HEBA-PJT,PA,-,NATURAL,-,2110 | SA  | 1    |
| 4   | 2    | W0623  | DC61-40083A   | HOLDER WIRE;<br>DAWH-3ND,PA66,NTR(PI24.4)/NY | SA  | 2    |
| 5   | 2    | M0001  | DC61-00553B   | CABLE CLAMP; DAWS-3NE,PA66,NTR               | SA  | 6    |
| 6   | 2    |        | DC65-20010A   | CABLE CLAMP; DA-9N-1,NYLON66,NTR             | SNA | 1    |
| 7   | 2    |        | 6502-000127   | CABLE CLAMP; DAWH-18NB,PA66,NTR              | SA  | 1    |