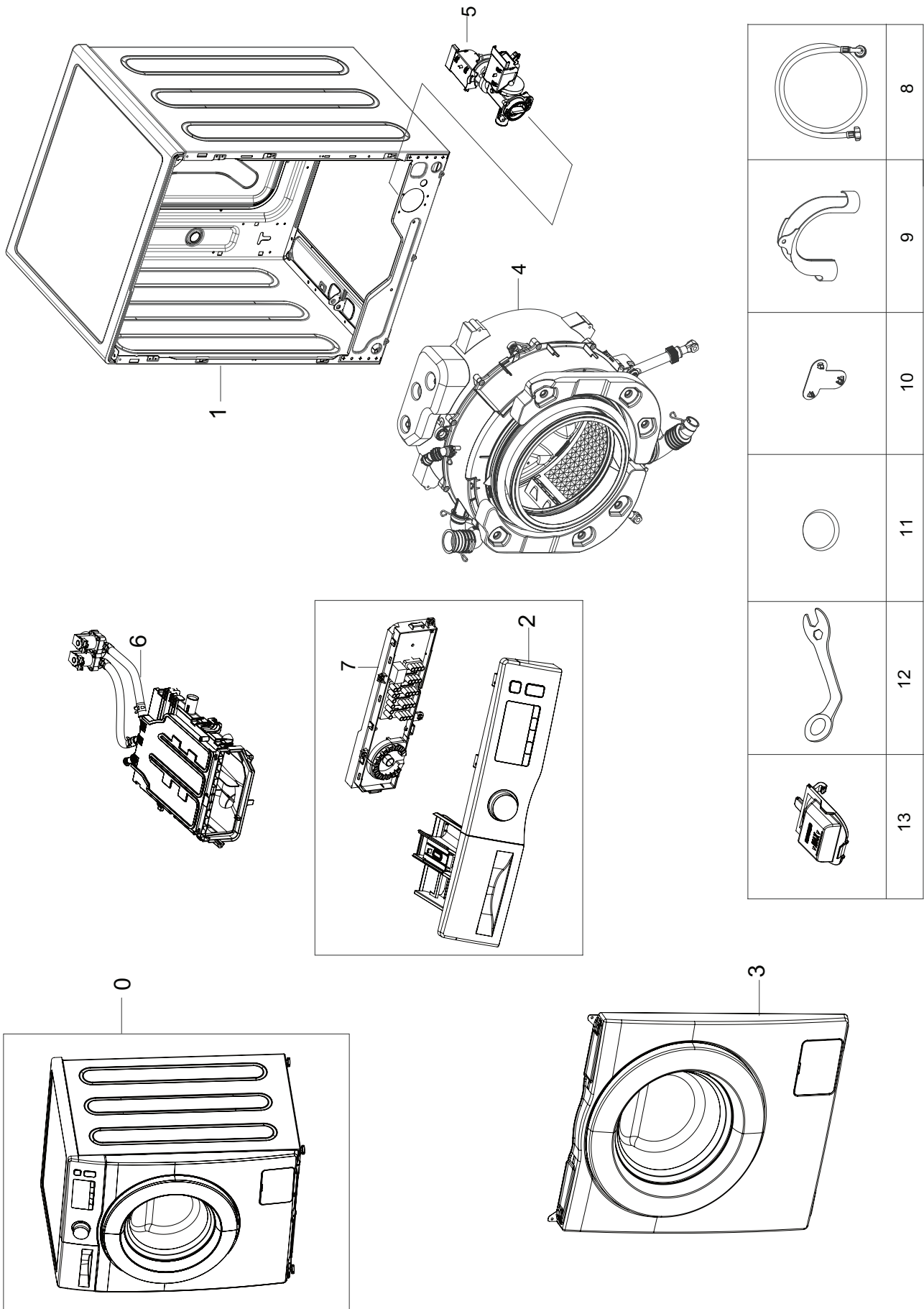
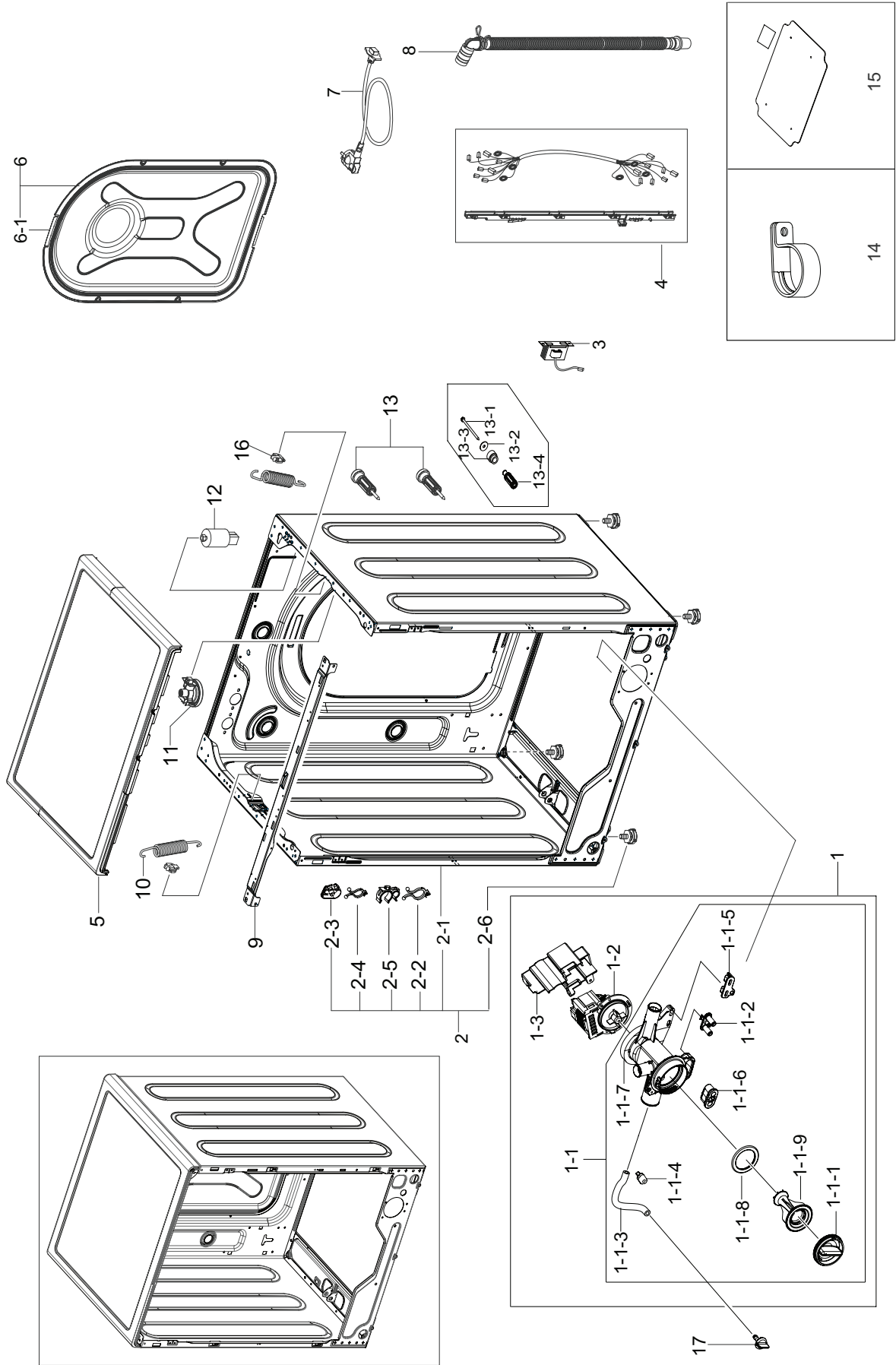


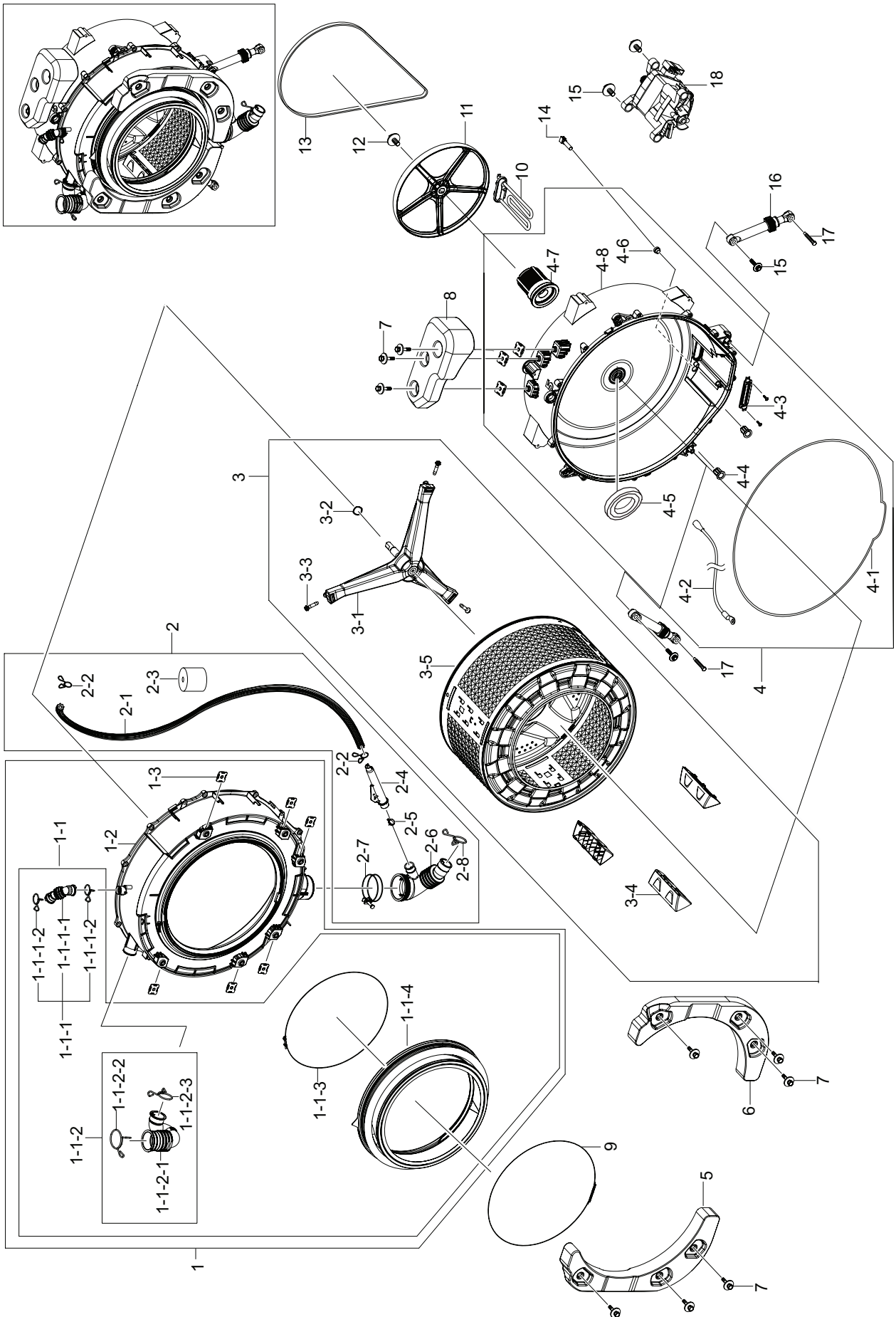
1-1. MAIN



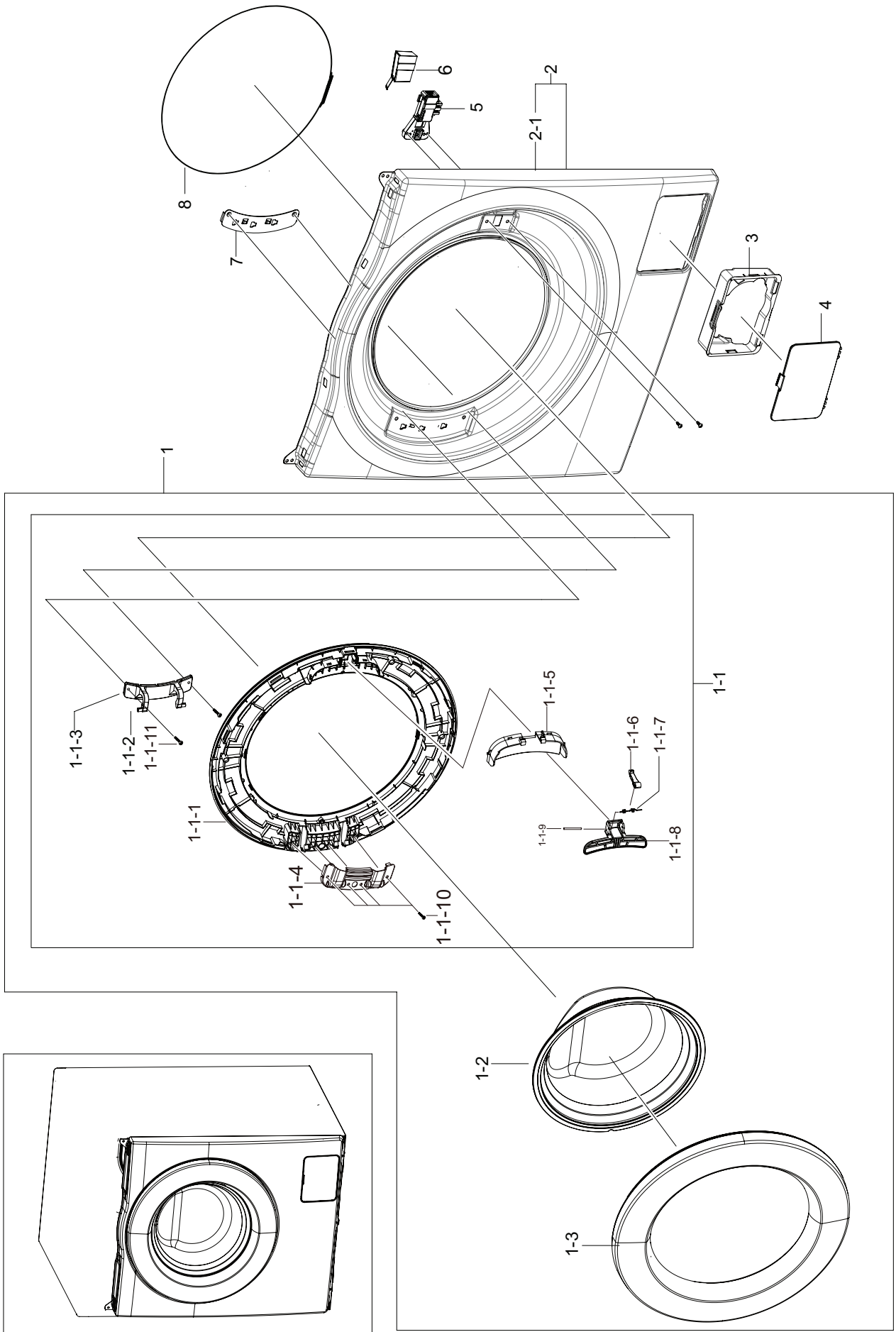
# 1-2. FRAME & COVER PARTS



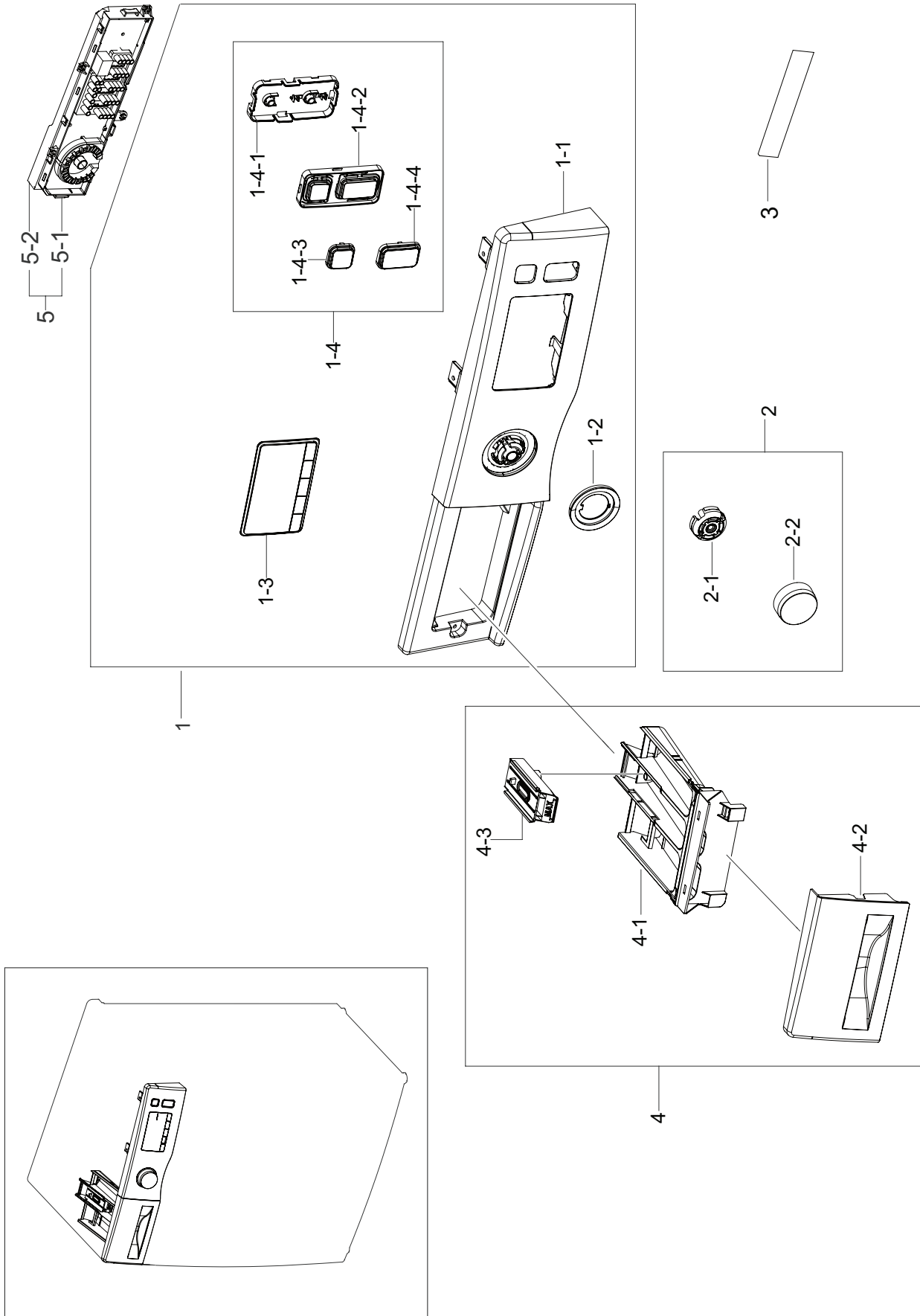
# 1-3. ASS'Y TUB DRUM



# 1-4. ASS'Y FRAME FRONT



# 1-5. PANEL-CONTROL & DRAWER



# 1-6. ASS'Y HOUSING DRAWER

