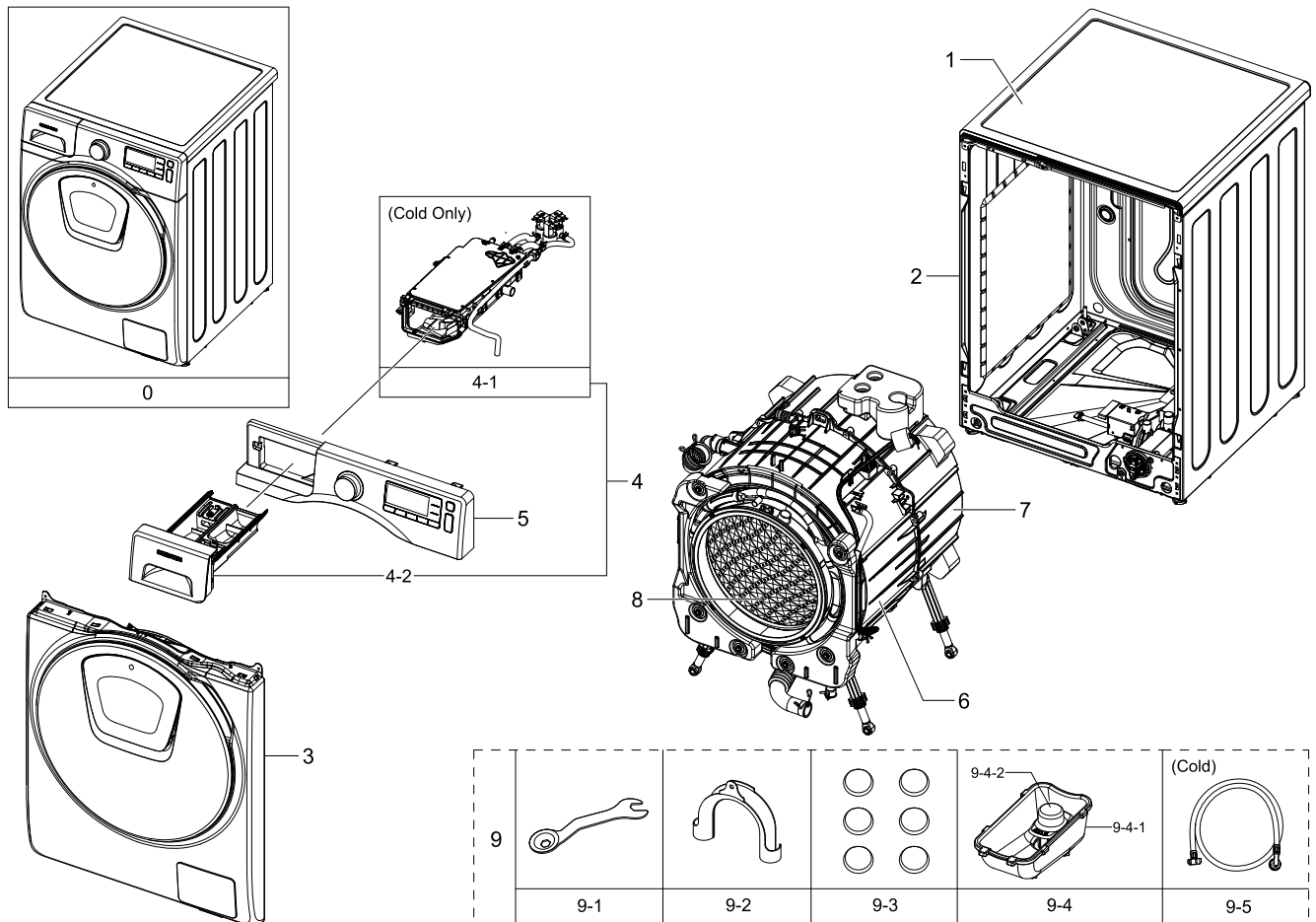


1. Main

Exploded View



Parts List

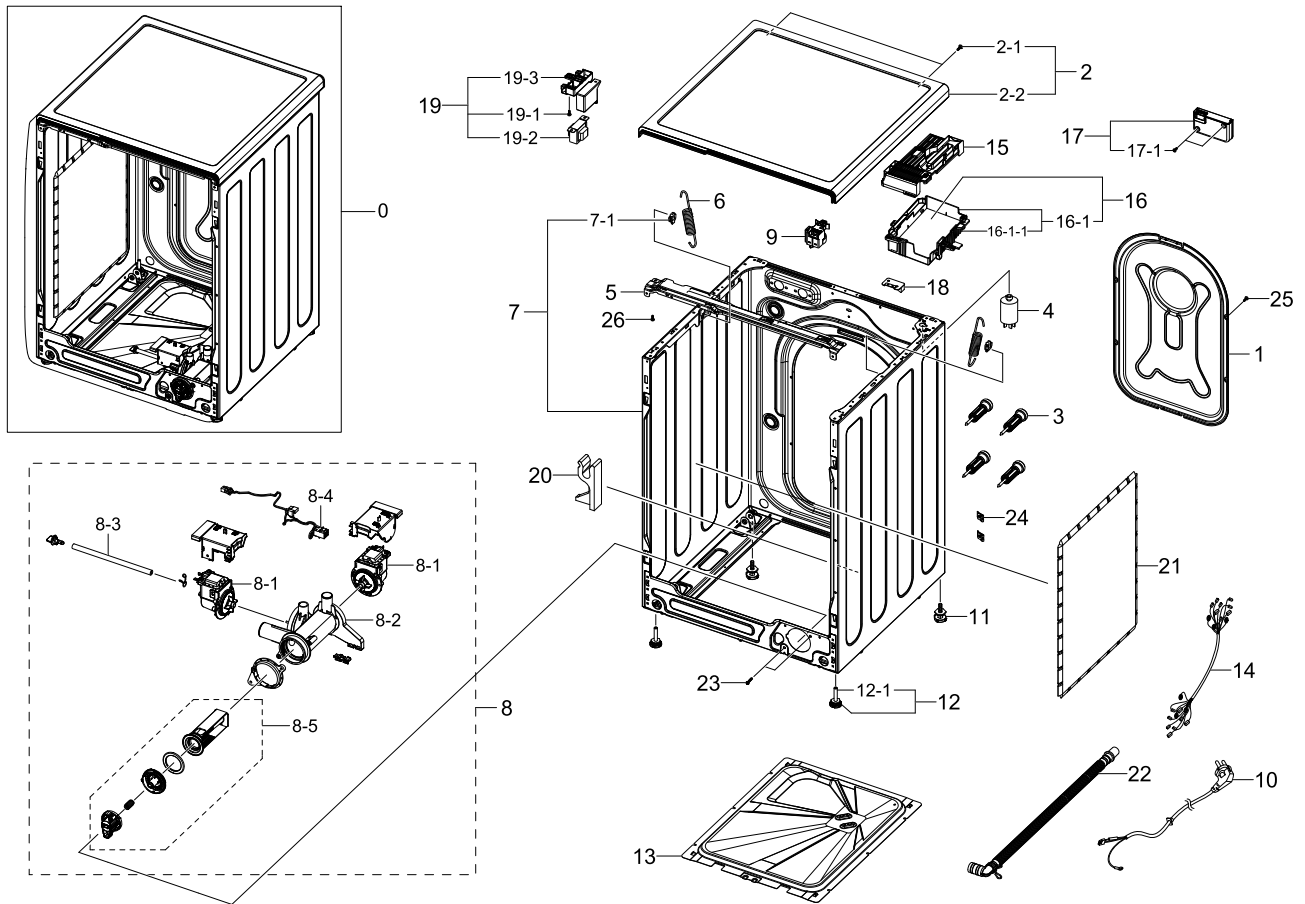
No.	Lvl.	Loc.	Material Code	Description & Specification	SNA	Qty.
1	1	WF0003	DC90-12995A	ASSY COVER TOP; ARNO	SNA	1
2	1	WF0004	DC90-22105A	ASSY FRAME; WW8500K	SNA	1
3	1	WF0009	DC90-22675A	ASSY FRONT; WW8500K,WW12K8412OW	SNA	1
4	1	WR0005	DC90-21561A	ASSY DRAWER; WW8500K,WW12K8412OW/EU	SNA	1
4-1	2	WR0008	DC97-16643F	ASSY HOUSING DRAWER; WW8500K,WW12K8412OW	SA	1
4-2	2	WR0005	DC97-18044A	ASSY DRAWER; H800E	SA	1
5	1	WC0016	DC90-21512A	ASSY PANEL CONTROL; WW8500K,WW12K8412OW/L	SNA	1
6	1	WT0008	DC90-22020A	ASSY TUB FRONT; WW8500K	SNA	1
7	1	WT0007	DC90-09979A	ASSY TUB BACK; ARNO,WF2124ZAC/XEE	SNA	1
8	1	WG0004	DC90-15148A	ASSY DRUM; H800E	SNA	1
9	1	WA0002	DC90-14228A	ASSY ACCESSORY; WF1124XAC/XEF	SNA	1

Exploded Views and Parts List

No.	Lvl.	Loc.	Material Code	Description & Specification	SNA	Qty.
9-1	2	WJ5077	DC60-40146A	BOLT SPANER; CR-SPCC,T2.5	SA	1
9-2	2	WH5379	DC62-10278A	HOSE HANGER; PUMP MODEL,PP,BLACK	SA	1
9-3	2	WA5001	DC67-00307A	CAP-FIXER; WF438AAC/XAA,PP,T1.5,RECYCLE,B	SC	6
9-4	2	WI0009	DC97-16128A	ASSY COVER DRAWER; SCOUT,WF0704L7W/XEF	SC	1
9-4-1	3	WI0353	DC61-02581C	GUIDE LIQUID-MIDDLE; WF1802XEC,PP,T2.0,MT	SA	1
9-4-2	3	WI0108	DC67-00524A	CAP DRAWER; WF0804Y8E/XEF,PP,T2.0,MT43, P	SA	1
9-5	2		DC97-17845A	ASSY HOSE WATER; COLD,ALL MODEL	SA	1

2. Assy Frame&Cover Parts

Exploded View



Parts List

No.	Lvl.	Loc.	Material Code	Description & Specification	SNA	Qty.
1	2	WF0002	DC97-16695B	ASSY COVER BACK; ARNO,WF1124ZAC/XEF	SA	1
2	1	WF0003	DC90-12995A	ASSY COVER TOP; ARNO	SNA	1
2-1	2	WX0490	6002-001431	SCREW-TAPPING; HEX,+,2,M5,L16,ZPC(WHT),SW	SA	2
2-2	2	WF0003	DC97-16691L	ASSY COVER TOP; ARNO,WF1124XAC/XEU,WHITE	SA	1
3	2	WJ5109	DC97-14653C	ASSY FIXER TUB; SCOUT,WF0804Y8E/XEF	SA	4
4	2		DC29-00023A	FILTER EMI; 200Khz,6.5mH MIN/1/-,53*96.5*	SA	1
5	2		DC97-19344A	ASSY FRAME PLATE-UP; WW8500K	SNA	1
6	2	WF0102	DC61-03099A	SPRING ETC-HANGER; ARNO,HSWR,CD4.2,OD32.2	SA	2
7	2	WF0004	DC97-19388A	ASSY FRAME; WW8500K,WW12K8412OW/EU,DA WHI	SA	1
7-1	3	WI0266	DC61-02065A	GUIDE SPRING; WF448AAG/XXA,POM,T4,W24,L36	SA	2

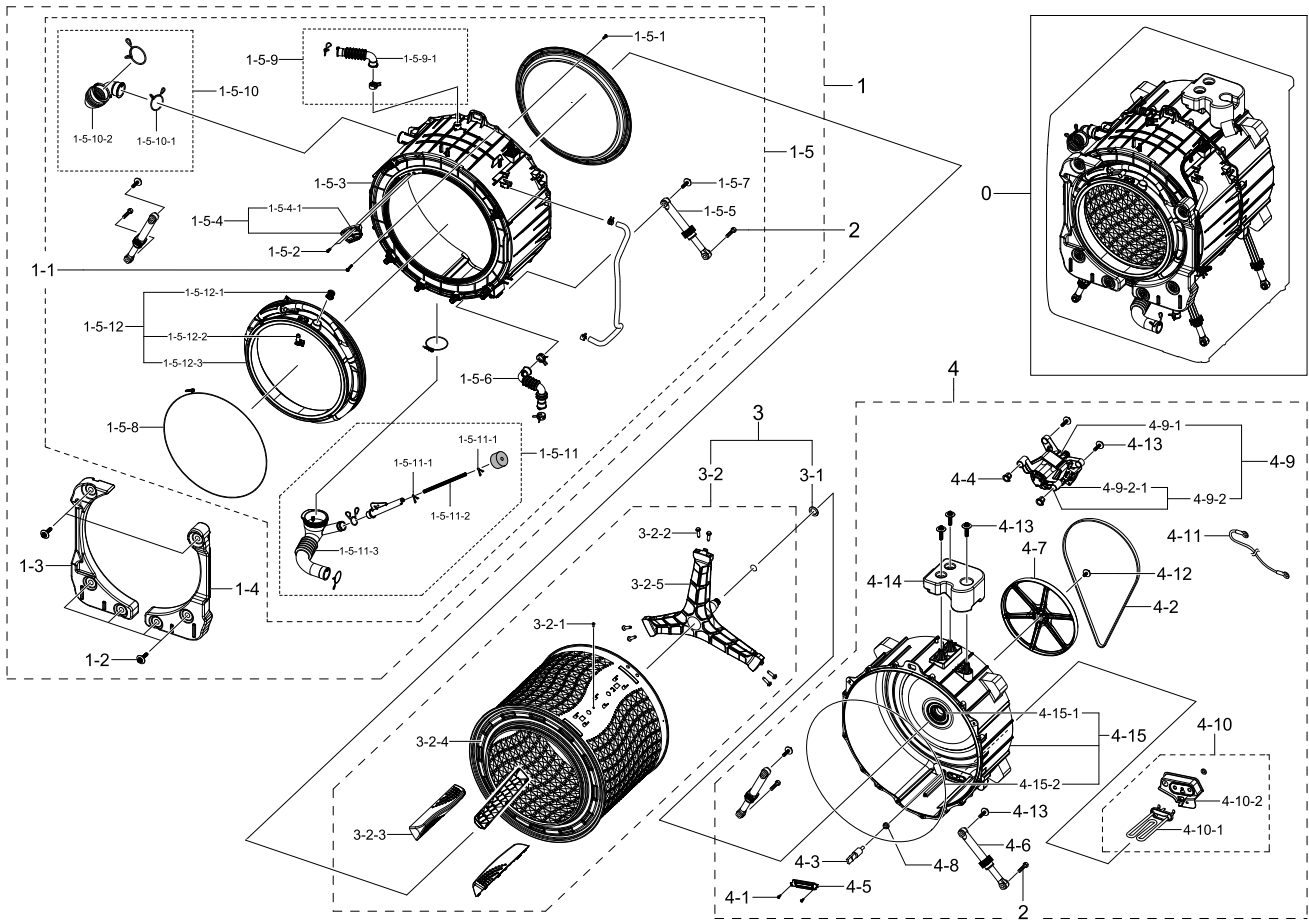
Exploded Views and Parts List

No.	Lvl.	Loc.	Material Code	Description & Specification	SNA	Qty.
8	2		DC97-16645G	ASSY PUMP DRAIN; ARNO COMBO,CLICK HANDLE,	SA	1
8-1	3		DC31-00030H	PUMP-DRAIN; 220V-240V,50Hz,30W,18L/min	SA	2
8-2	3	WU0023	DC61-03082A	CASE PUMP; ARNO,PP,T2.5,W184.6,L165.2,NTR	SA	1
8-3	3		DC67-00244J	HOSE DRAIN; WA5471ABP,EPDM,ID6,OD11,T2.5,	SA	1
8-4	3	WW0006	DC93-00150D	ASSY WIRE HARNESS-PUMP; DRUM-M,ARNO,DRAIN	SA	1
8-5	3	WA0006	DC97-16642B	ASSY FILTER; ARNO,WF1124ZAC/XEF,CLICK HAN	SA	1
9	2	WE0125	DC96-01703G	SENSOR PRESSURE; Air,5,-,400mmH20,-	SA	1
10	2	WE0054	DC96-00146H	CBF-POWER CORD; AT,EUROPE,EU3F,Gray,1500,	SA	1
11	2		DC97-00920U	ASSY LEG; F500E,WF80F5E5U4W/EF,H33.5,P1.5	SNA	2
12	2	WB5005	DC97-14293B	ASSY LEG; GE-PJT,WCVH4800KWW,H52.1	SA	2
12-1	3	WJ0092	DC97-14294B	ASSY LEG BOLT; GE-PJT,WCVH4800KWW	SC	2
13	2	WF0015	DC97-14642A	ASSY PLATE BOTTOM; -,NON LEAKAGE SENSOR	SA	1
14	2		DC93-00621A	ASSY WIRE HARNESS-MAIN; DRUM-M,N,N,3WAY,Y	SA	1
15	2		DC63-01650A	COVER PCB-MAIN; WD-F900C,ABS,T2.5,-,NATUR	SA	1
16	2		DC94-06479A	ASSY PCB EEPROM; 001C,DC82-01117A,2, 3, 1	SA	1
16-1	3		DC92-01885A	ASSY KIT; FWM_INV,WW8500K,MAIN/INV KIT, A	SNA	1
16-1-1	4		DC61-03702A	GUIDE COVER PCB; WD-F900C,HIPS,T2.0,-,F74	SA	1
17	2		DC92-01888A	ASSY KIT; FWM_INV,WW8500K, 7500K, 6500K,A	SA	1
17-1	3	WX0615	6002-000630	SCREW-TAPPING; PH,+,NO,2S,M3,L8,ZPC(WHT),	SA	4
18	2	WE5187	DC93-00278A	ASSY SENSOR; MEMS SENSOR,ARNO,410mm	SA	1
19	2	WE0026	DC93-00279A	ASSY TRANS REACTORV; ARNO,220~240V,60Hz	SA	1
19-1	3	WX0622	6002-001306	SCREW-TAPPING; TH,+,1,M4,L14,ZPC(WHT),SWR	SA	1
19-2	3	WE0149	DC26-00009P	COIL HARMONIC; 8.5mH,15%,EI 48mm S-30NA	SA	1
19-3	3	WP0161	DC61-03107A	BRACKET REACTOR; ARNO,PP,T3.0,NATURAL	SA	1
20	2	WI0383	DC61-02601A	GUIDE HOSE; SEINE COMBO 9.0kg,PS FOAM,WHI	SA	1
21	2	WA0001	DC63-01313A	ABSORBER SOUND; SCOUT2-PJT,PP,WHITE,SOUND	SNA	1

No.	Lvl.	Loc.	Material Code	Description & Specification	SNA	Qty.
22	2		DC97-16680A	ASSY HOSE DRAIN(O); ARNO,WF1124,ASSY,L185	SA	1
23	2	WJ0007	DC97-14006A	ASSY SCREW; WF203,M4/L16	SA	2
24	2		DD61-00140A	BRACKET-TAPPING; SDW-T120B,SK5,T0.6,BLK,C	SNA	2
25	2	WX0441	6002-000520	SCREW-TAPPING; TH,+,-,2,M4,L12,ZPC(WHT),S	SA	5
26	2	WX0512	6009-001240	SCREW-SPECIAL; TH,+,M5,L13.5,ZPC(WHT),SWR	SA	2

3. Assy Tub&Drum

Exploded View



Parts List

No.	Lvl.	Loc.	Material Code	Description & Specification	SNA	Qty.
1	1	WT0008	DC90-22020A	ASSY TUB FRONT; WW8500K	SNA	1
1-1	2	WX0520	6009-001367	BOLT-HEX; M6.5,L32,ZPC(WHT),SWRCH18A,HWH	SA	14
1-2	2	WJ5013	DC97-14263A	ASSY BOLT; MOTOR/BOLT(M8)+WASHER(OD27.5),	SA	6
1-3	2		DC97-18015A	ASSY WEIGHT BALANCER-LEFT; H800E,Assy	SA	1
1-4	2		DC97-18016A	ASSY WEIGHT BALANCER-RIGHT; H800E,Assy	SA	1
1-5	2	WT0004	DC97-19348A	ASSY SEMI TUB FRONT; WW8500K	SA	1
1-5-1	3	WX0621	6002-000444	SCREW-TAPPING; TH,+,2,M4,L14,PASS,STS430	SNA	6
1-5-2	3	WX0427	6002-000445	SCREW-TAPPING; TH,+,NO,2S,M4,L18,PASS,STS	SA	2
1-5-3	3		DC61-03815A	TUB FRONT; FRPP,T3.5,-	SA	1

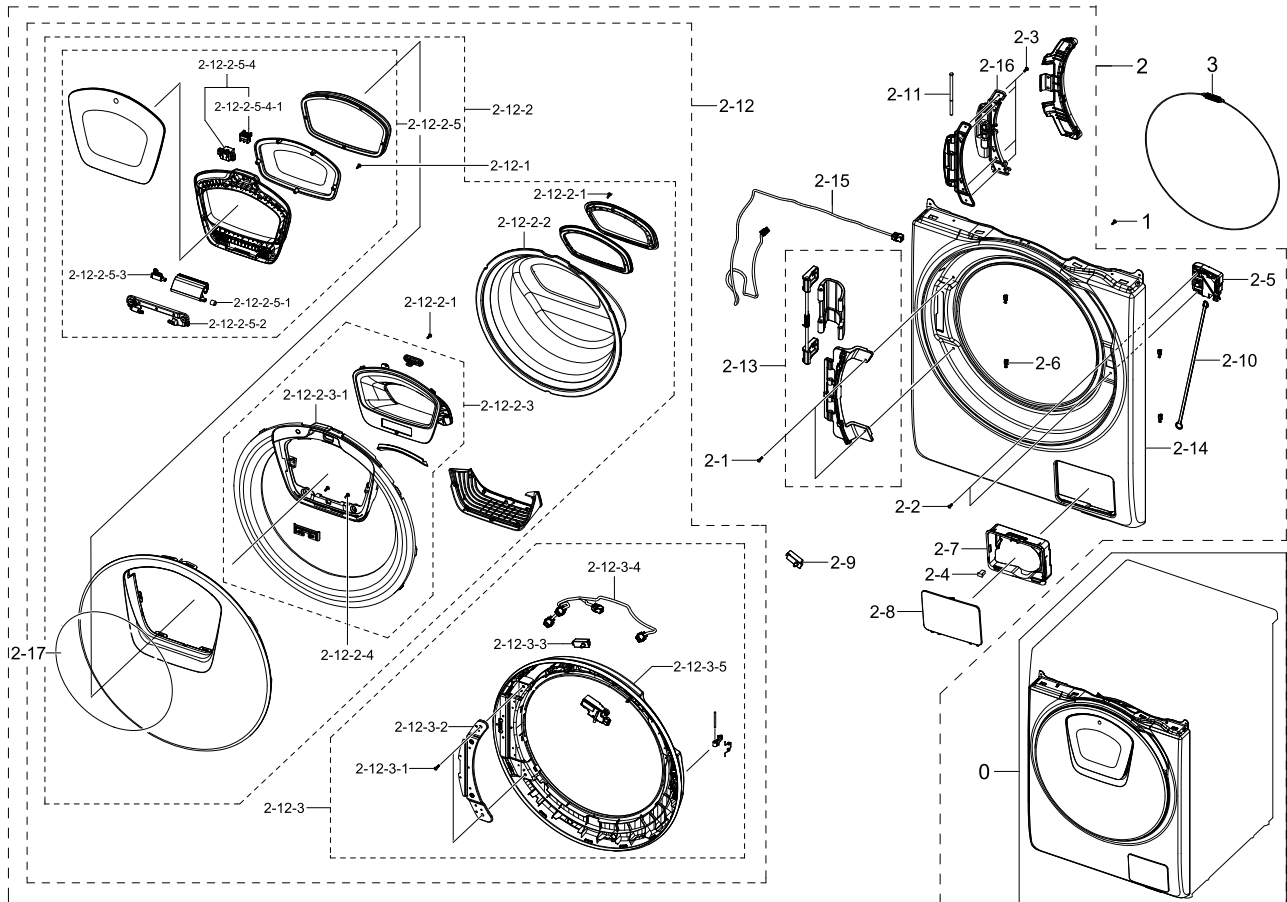
No.	Lvl.	Loc.	Material Code	Description & Specification	SNA	Qty.
1-5-4	3		DC61-03910A	GUIDE FRONT; TPE,T2.0,-,XR-1045,GY0196,-	SNA	1
1-5-4-1	4		DC61-03871A	GUIDE TUB; WW9000HE,PA66+GF30%,T3.0,-,KN3	SA	1
1-5-5	3	WB5214	DC66-00343K	DAMPER SHOCK; GE24"-PJT,PP,60N,W24,BLACK,	SA	2
1-5-6	3	WH5389	DC67-00568A	HOSE AIR TUB; ARNO-PJT,EPDM,T1.5,BLK	SA	1
1-5-7	3	WJ5013	DC97-14263A	ASSY BOLT; MOTOR/BOLT(M8)+WASHER(OD27.5),	SA	2
1-5-8	3		DC97-14618G	ASSY CLAMP DIAPHRAGM; H900E,HSWR	SA	1
1-5-9	3	WH5017	DC97-14873B	ASSY HOSE AIR; HEBA,WF8702,-,BLACK	SA	1
1-5-9-1	4	WH5206	DC67-00354A	HOSE AIR; HEBA PJT,EPDM,BLACK,18.3g	SA	1
1-5-10	3	WH5375	DC97-14874C	ASSY HOSE DRAWER; HEBA BIGBANG,WF0800NCE,	SA	1
1-5-10-1	4		DC65-60118R	CLIP RING; AEGIS-PJT,HSWR-SWRH,T3.0,ID37	SA	1
1-5-10-2	4	WH5191	DC67-00422A	HOSE DRAWER TUB; HEBA-PJT,EPDM,BLK	SC	1
1-5-11	3	WH5387	DC97-16644A	ASSY HOSE PRESSURE; ARNO,WF1124ZAC/XEF	SA	1
1-5-11-1	4	WP0165	DC61-70029C	CLIP RING; SEW-HW125,HSWR,WHITE	SA	2
1-5-11-2	4	WH5388	DC67-00576A	HOSE WATER; ARNO,TPE,ID4.5,OD8,T2.5,L870,	SA	1
1-5-11-3	4	WH0012	DC67-00577A	HOSE FILTER TUB; ARNO,EPDM,T1.5,BLK	SA	1
1-5-12	3	WJ0004	DC97-18019A	ASSY DIAPHRAGM; H900E,EPDM	SA	1
1-5-12-1	4		DC47-00027D	ASSY LAMP LED; 1ea,FR-4,14*12,WHITE,AMP 1	SA	1
1-5-12-2	4	WJ0047	DC62-00348A	NOZZLE DIAPHRAGM; WF457ARGSGR,PP,OD10,GRA	SA	1
1-5-12-3	4		DC64-03052A	DOOR DIAPHRAGM; WW9000HE,EPDM	SA	1
2	2	WX0558	6011-001644	BOLT-HEX; M10,L35,ZPC2,SM10C,DAMPER	SA	4
3	1	WG0004	DC90-15148A	ASSY DRUM; H800E	SNA	1
3-1	2	WJ0109	6031-001640	WASHER-SPRING; STS304,ID35.2,OD39.0,T0.3,	SNA	1
3-2	2	WG0004	DC97-18037A	ASSY DRUM; H800E	SA	1
3-2-1	3	WX0621	6002-000444	SCREW-TAPPING; TH,+,2,M4,L14,PASS,STS430	SNA	3
3-2-2	3	WJ5081	DC60-40137A	BOLT HEX; MARS-PJT,STS430,M8,P1.25,L30,HE	SA	6
3-2-3	3		DC66-00827A	DRUM LIFTER; H900E,PP,T3.0,HB,FC2305,Dark	SA	3
3-2-4	3		DC66-00829A	DRUM FRONT; WW8000HE,STAINLESS-STS430,OD5	SA	1
3-2-5	3	WS0006	DC97-16625A	ASSY FLANGE SHAFT; WF1124ZAC/XEF	SA	1
4	1	WT0007	DC90-09979A	ASSY TUB BACK; ARNO,WF2124ZAC/XEE	SNA	1
4-1	2	WX0434	6002-000471	SCREW-TAPPING; TH,+,1,M4,L12,PASS,STS30	SA	2

Exploded Views and Parts List

No.	Lvl.	Loc.	Material Code	Description & Specification	SNA	Qty.
4-2	2	WS0060	6602-001497	BELT-TIMING GEAR; RUBBER(GATES),T3.2,1270	SA	1
4-3	2	WE5177	DC32-00010C	THERMISTOR; WASHER,-10~100,5,5,3.243k	SA	1
4-4	2	WS0064	DC61-02549A	BUSH MOTOR; HEBA BIGBANG,PA66+GF15%,NATUR	SNA	2
4-5	2	WP0099	DC61-02664A	BRACKET HEATER; HEBA,STAINLESS-ST5430,T0.	SA	1
4-6	2	WB5214	DC66-00343K	DAMPER SHOCK; GE24"-PJT,PP,60N,W24,BLACK,	SA	2
4-7	2	WS0109	DC66-00530B	PULLEY MOTOR; HEBA BIGBANG,ALDC,OD296.8,I	SA	1
4-8	2	WE0115	DC69-00824A	PACKING-THERMISTOR; GW-PJT,EPDM,-,-,W17,H	SNA	1
4-9	2		DC93-00316A	ASSY MOTOR-BLDC; ARNO,WDM500FGB,F,DC310V,	SA	1
4-9-1	3		DC93-00314A	ASSY STATOR; WF-MTR00316A,220~240V,46mm	SA	1
4-9-2	3		DC97-17008A	ASSY HOUSING FR; WDM500FGB	SNA	1
4-9-2-1	4		DC67-00587A	RUBBER-HOUSING; WDM500FGA,NBR,ID14,OD26,T	SA	2
4-10	2	WE0010	DC93-00281A	ASSY HEATER; ARNO,220~240V,2000W,Silcone	SA	1
4-10-1	3	WE0155	DC47-00033A	HEATER-WASH; AC230V,Double Fuse (167??)	SC	1
4-10-2	3	WE0060	DC63-01340A	COVER HEATER; ARNO,ABS+PC,T3.0,W143,D40.7	SA	1
4-11	2	WW5711	DC96-01327D	ASSY WIRE HARNESS-EARTH; DRUM-M,WF1124ZAC	SA	1
4-12	2	WJ5110	DC97-06080C	ASSY BOLT; BOLT+WASHER(OD38),,,,,,	SA	1
4-13	2	WJ5013	DC97-14263A	ASSY BOLT; MOTOR/BOLT(M8)+WASHER(OD27.5),	SA	7
4-14	2	WE5188	DC97-16702A	ASSY WEIGHT BALANCER-UP; ARNO,WF1124ZAC,5	SA	1
4-15	2	WT0007	DC97-16708A	ASSY TUB BACK; ARNO,WF1124ZAC	SA	1
4-15-1	3	WS0119	DC62-00156A	SEAL OIL; TS85-PJT,NBR,BLK	SA	1
4-15-2	3	WO0055	DC69-01769A	PACKING-TUB; ARNO,EPDM,EPDM,T5.5,L1720,BL	SA	1

4. Assy Front

Exploded View



Parts List

No.	Lvl.	Loc.	Material Code	Description & Specification	SNA	Qty.
0	1	WF0009	DC90-22675A	ASSY FRONT; WW8500K,WW12K8412OW	SNA	1
1	2	WX0441	6002-000520	SCREW-TAPPING; TH,+,-,2,M4,L12,ZPC(WHT),S	SA	3
2	2	WF0005	DC97-19582A	ASSY FRAME FRONT; WW8500K,WW12K8412OW	SNA	1
2-1	3	WX0534	6009-001522	SCREW-HEX; HWH,+,M5,L16,PASS,STS430,FP,SE	SA	2
2-2	3	WX0621	6002-000444	SCREW-TAPPING; TH,+,2,M4,L14,PASS,STS430	SA	4
2-3	3	WX0427	6002-000445	SCREW-TAPPING; TH,+,NO,2S,M4,L18,PASS,STS	SA	2
2-4	3	WD0107	DA66-01072A	LATCH; LATOUR,POM,BLACK,DC LATCH	SA	1
2-5	3		DC34-00026A	SWITCH DOOR LOCK; AC250V,16,SOLNOID, DOOR	SA	1
2-6	3	WF0128	DC61-02577A	GUIDE FRAME FRONT; WF0800NCE,POM,-,W4.1,L	SA	4

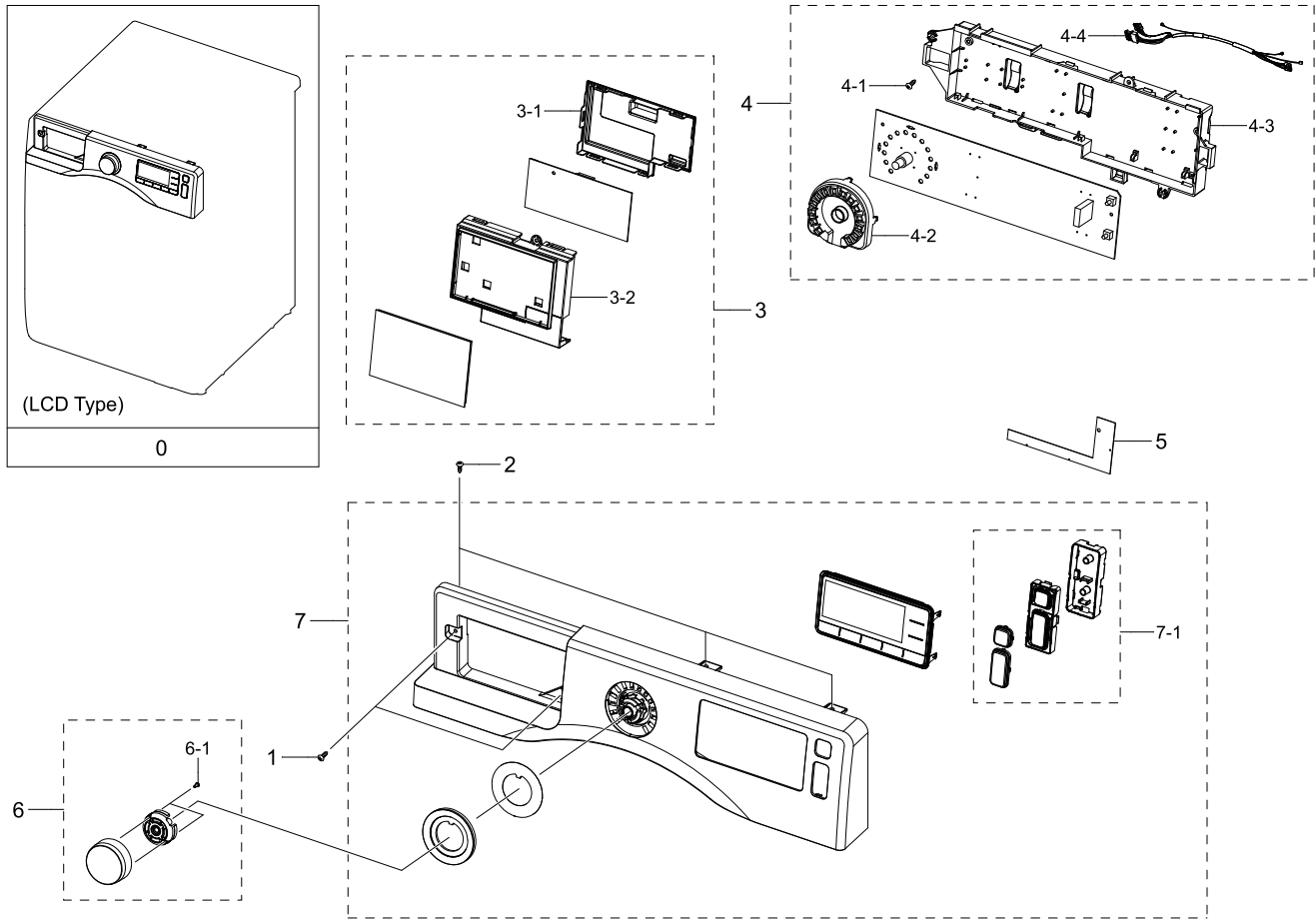
Exploded Views and Parts List

No.	Lvl.	Loc.	Material Code	Description & Specification	SNA	Qty.
2-7	3		DC61-04208A	GUIDE FILTER; HIPS,T2.5,HB,S834S1,DA WHIT	SA	1
2-8	3		DC63-01966A	COVER FILTER; WW8500K,ABS,T2.5,DA WHITE,W	SNA	1
2-9	3		DC64-00828G	SWITCH DOOR; AC125/250V,1.5/0.75,1BUTTON,	SA	1
2-10	3		DC66-00850A	LEVER ACTUATOR; PP,T1.5,-,FC2305,-	SA	1
2-11	3		DC66-00891A	SHAFT HINGE; WW8500K,STS304,L115.5,OD6.0,	SA	1
2-12	3	WD0003	DC97-19295A	ASSY DOOR; WW8500K,WW12K8412OW/EU	SA	1
2-12-1	4		6002-001615	SCREW-TAPPING; FH,+,1,M4,L16,PASS,STS304	SA	4
2-12-2	4		DC97-19362A	ASSY DOOR INNER; WW8500K	SNA	1
2-12-2-1	5	WX0621	6002-000444	SCREW-TAPPING; TH,+,2,M4,L14,PASS,STS430	SA	9
2-12-2-2	5	WD0070	DC64-03389A	DOOR-GLASS; GLASS,T5.0,392*140.5	SA	1
2-12-2-3	5		DC97-19361A	ASSY COVER DOOR-IN; WW8500K	SNA	1
2-12-2-3-1	6		DC63-01947A	COVER-GLASS; WW8/7500K,ABS,VERSAILLES GRA	SA	1
2-12-2-4	5	WX0534	6009-001522	SCREW-HEX; HWH,+,M5,L16,PASS,STS430,FP,SE	SA	2
2-12-2-5	5	WD0010	DC97-19296A	ASSY HOLDER GLASS; WW8500K,WW12K8412OW/EU	SA	1
2-12-2-5-1	6	WD0090	DC61-00891A	GUIDE HINGE; HAUZEN(DOM),POM,NTR(WHT),HIN	SA	1
2-12-2-5-2	6		DC61-04044A	SUPPORT HINGE; WD9500JK,ALDC,T2.5	SA	1
2-12-2-5-3	6		DC66-00878A	DAMPER SHOCK-AXIS; WD9500JK,POM,NATURAL	SA	1
2-12-2-5-4-1	7		DA66-00880A	CAM-LATCH; HAEMIL,POM,W16.8,H18.2,Dark Gr	SA	1
2-12-2-5-4	6		DC97-19401A	ASSY LATCH; WW8500K	SA	1
2-12-3	4	WD0010	DC97-19297A	ASSY HOLDER GLASS; WW8500K,WW12K8412OW/EU	SNA	1
2-12-3-1	5	WX0621	6002-000444	SCREW-TAPPING; TH,+,2,M4,L14,PASS,STS430	SA	2
2-12-3-2	5		DC61-03832A	BRACKET HOLDER; H800E,GI-SGCC,T1.4,-	SA	1
2-12-3-3	5		DC64-00828G	SWITCH DOOR; AC125/250V,1.5/0.75,1BUTTON,	SA	1
2-12-3-4	5		DC93-00622A	ASSY WIRE HARNESS-SUB; DRUM-M,SUB ADD WAS	SA	1
2-12-3-5	5	WD0104	DC61-04137A	HOLDER GLASS; WW8500K,WW7500K,PP,VERSAILL	SA	1
2-13	3	WD0007	DC97-19360A	ASSY HINGE; WW8500K	SA	1
2-14	3		DC61-03830F	FRAME FRONT; GI-SGCD,DA WHITE,T0.8,WT9007	SNA	1

No.	Lvl.	Loc.	Material Code	Description & Specification	SNA	Qty.
2-15	3		DC93-00624A	ASSY WIRE HARNESS-SUB; DRUM-M,SUB ADDWASH	SA	1
2-16	3		DC61-04135A	BRACKET DOOR; WW8/7500K,ALDC,T3.0,228X76X	SA	1
2-17	3		DC64-03188B	INLAY; WW8500K,PET,T0.2,NATURAL,FR530,NC0	SNA	1
3	2	WJ0008	DC91-12078H	ASSY WIRE DIAPHRAGM; H900E	SA	1

5. Assy Panel Control

Exploded View



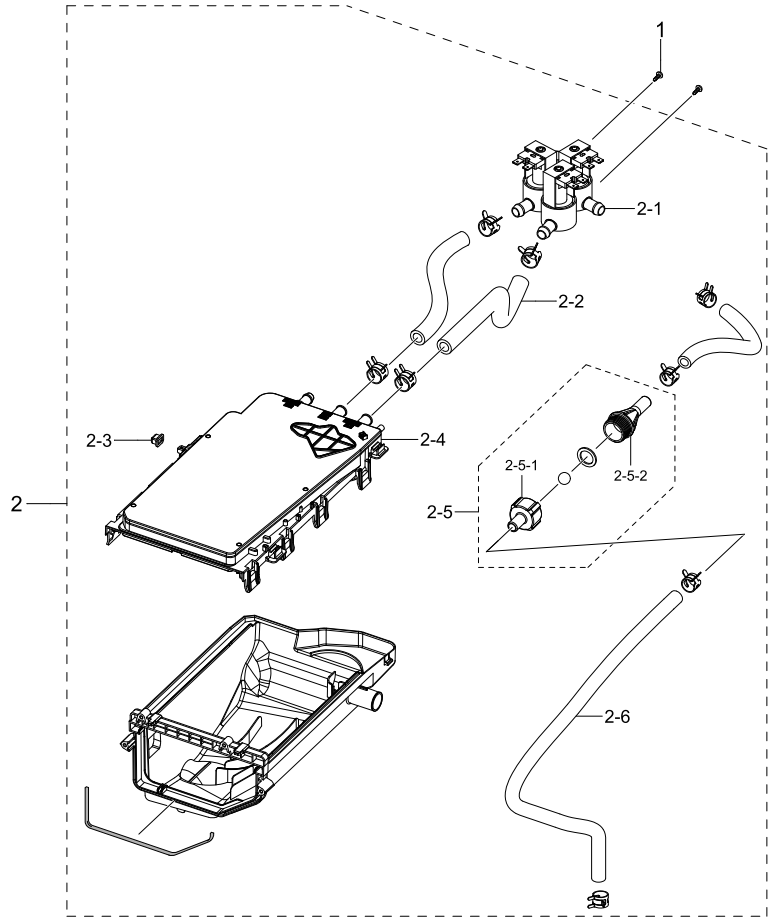
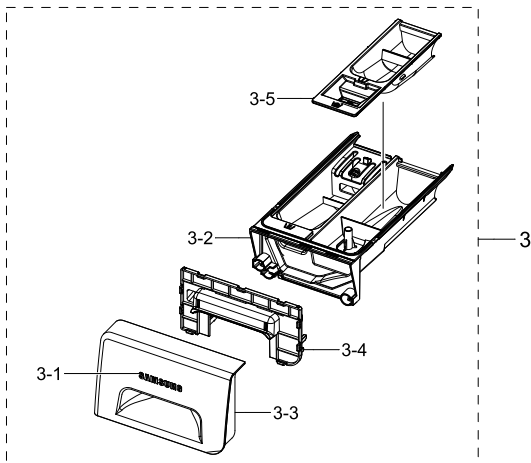
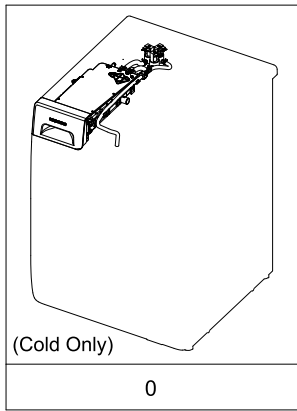
Parts List

No.	Lvl.	Loc.	Material Code	Description & Specification	SNA	Qty.
0	1	WC0016	DC90-21512A	ASSY PANEL CONTROL; WW8500K,WW12K8412OW/L	SNA	1
1	2	WX0427	6002-000445	SCREW-TAPPING; TH,+,NO,2S,M4,L18,PASS,STS	SA	2
2	2	WX0441	6002-000520	SCREW-TAPPING; TH,+,-,2,M4,L12,ZPC(WHT),S	SA	5
3	2		DC92-01635C	ASSY MODULE; FWM_INV,WW8500K,5"LCD,KOREA,	SA	1
3-1	3		DC63-01744A	COVER PBA-LCD; HIPS,T2.5,V0,BLACK,F744	SA	1
3-2	3		DC63-01745A	COVER PCB-LCD; HIPS,T2.0,V0,F744	SA	1
4	2		DC92-01882A	ASSY PCB DISPLAY; FWM_INV,WW8500K,317*82.	SA	1
4-1	3	WX0419	6002-000239	SCREW-TAPPING; TH,+,NO,2S,M4,L8,ZPC(WHT),	SA	2
4-2	3	WP0088	DC61-03098A	BRACKET-ENCODER; ARNO,HIPS,T1.5,W75.8,L78	SA	1

No.	Lvl.	Loc.	Material Code	Description & Specification	SNA	Qty.
4-3	3		DC63-01737A	COVER PCB-SUB; HIPS,T2.5,V0,-,F744	SA	1
4-4	3	WW0001	DC93-00431A	ASSY FLAT WIRE; DRUM-L,CA-KENMORE,sub,2P/	SA	1
5	2		DC93-00482A	ASSY SENSOR; WW8000HE,5V,8-BUTTON,TOUCH S	SA	1
6	2	WC0009	DC97-17318C	ASSY KNOB ENCODER; H800E	SA	1
6-1	3	WX0615	6002-000630	SCREW-TAPPING; PH,+,NO,2S,M3,L8,ZPC(WHT),	SA	2
7	2	WC0016	DC97-19273E	ASSY PANEL CONTROL; WW8500K,WW12K8412OW/L	SA	1
7-1	3	WC0001	DC97-18024A	ASSY BUTTON; WF12H8884EW/EU	SA	1

6. Assy Drawer

Exploded View





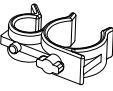



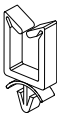

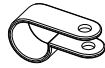
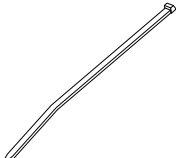
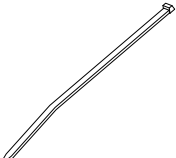

Parts List

No.	Lvl.	Loc.	Material Code	Description & Specification	SNA	Qty.
0	1	WR0005	DC90-21561A	ASSY DRAWER; WW8500K,WW12K8412OW/EU	SNA	1
1	2	WX0494	6003-000226	SCREW-TAPTYPE; TH,+,-,S,M4,L8,ZPC(WHT),SW	SC	2
2	2	WR0008	DC97-16643F	ASSY HOUSING DRAWER; WW8500K,WW12K8412OW	SA	1
2-1	3		DC62-00233D	VALVE WATER; AC220-240V,BLUE,#250	SA	1
2-2	3	WH5267	DC67-00051B	HOSE DRAWER; Q1636GW/XEU,EPDM,ID9.0,OD14.	SA	1
2-3	3		DC67-00327A	CAP DRAWER HOOK; HEBA-PJT,EPDM,T1.1,W13.9	SA	1
2-4	3	WR0012	DC97-16006A	ASSY S.HOUSING DRAWER; SCOUT,WF0804Y8E,PP	SA	1
2-5	3		DC93-00306A	ASSY S.NOZZLE CONNECTOR; WD0804,SCOUT COM	SA	1
2-5-1	4	WL0010	DC62-00183A	NOZZLE CONNECTOR-LOW; POM,NATURAL	SA	1

No.	Lvl.	Loc.	Material Code	Description & Specification	SNA	Qty.
2-5-2	4	WL0011	DC62-00182A	NOZZLE CONNECTOR-UP; POM,NATURAL,TS-2 PJT	SA	1
2-6	3		DC67-00849A	HOSE DRAWER; WW8500K,EPDM,9,65,BLACK	SA	1
3	2	WR0005	DC97-18044A	ASSY DRAWER; H800E	SA	1
3-1	3	WC0114	DA64-03804A	MASCOT; ALL,NICKEL,T0.05,L65	SA	1
3-2	3	WR0029	DC61-02580A	BODY DRAWER; WW8000H,PP,DA WHITE,WT0035,M	SA	1
3-3	3	WC0120	DC64-03081A	PANEL DRAWER; WW8000HE,ABS,-,HG0760GP,DA	SA	1
3-4	3	WR0037	DC64-03082A	HANDLE DRAWER; HIPS,T2.0,S-834,NEAT WHITE	SA	1
3-5	3	WI0125	DC67-00452A	CAP RINSE; WF0800NCE,PP,MT43, PTN960,HONE	SA	1

7. Small Parts

Exploded View

					
1	2	3	4	5	6
					
7	8	9	10	11	12

Parts List

No.	Lvl.	Loc.	Material Code	Description & Specification	SNA	Qty.
1	2	WI0293	DC61-01736A	HOLDER WIRE; SEW-HKR149ATA,PA,128,NEW-K4	SA	1
2	2	WI0293	DC61-40083A	HOLDER WIRE; DAWH-3ND,PA66,NTR(PI24.4)/NY	SNA	1
3	2		DC61-00133A	CLAMPER HOSE-FIX; P1291,PP,-,HOSE+PLUG,BJ	SNA	1
4	2		DC61-00118A	CLAMP-CABLE; P1291,PA66,NATURAL,NC0001	SNA	1
5	2		DC61-02879A	HOLDER WIRE; WF8804CPA,PA,-,NATURAL,-,211	SA	1
6	2	WI0295	DC61-60074A	HOLDER WIRE; PA,-,NATURAL,-,101F,rectangl	SA	3
7	3	WI0294	DC61-00553B	CABLE CLAMP; DAWS-3NE,PA66,NTR	SA	1
8	2		6502-000127	CABLE CLAMP; DAWH-18NB,PA66,NTR	SNA	1
9	2		DC65-20010A	CABLE CLAMP; DA-9N-1,NYLON66,NTR	SNA	1
10	3	WJ0021	6501-000123	CABLE TIE; T1.2,W3.6,L146,NYLON	SNA	1
11	3	WJ0021	6501-001001	CABLE TIE; DACT-100A,T1.0,W2.5,L100,NTR,N	SNA	1
12	3	WI0295	DC61-60074A	HOLDER WIRE; PA,-,NATURAL,-,101F,rectangl	SA	1