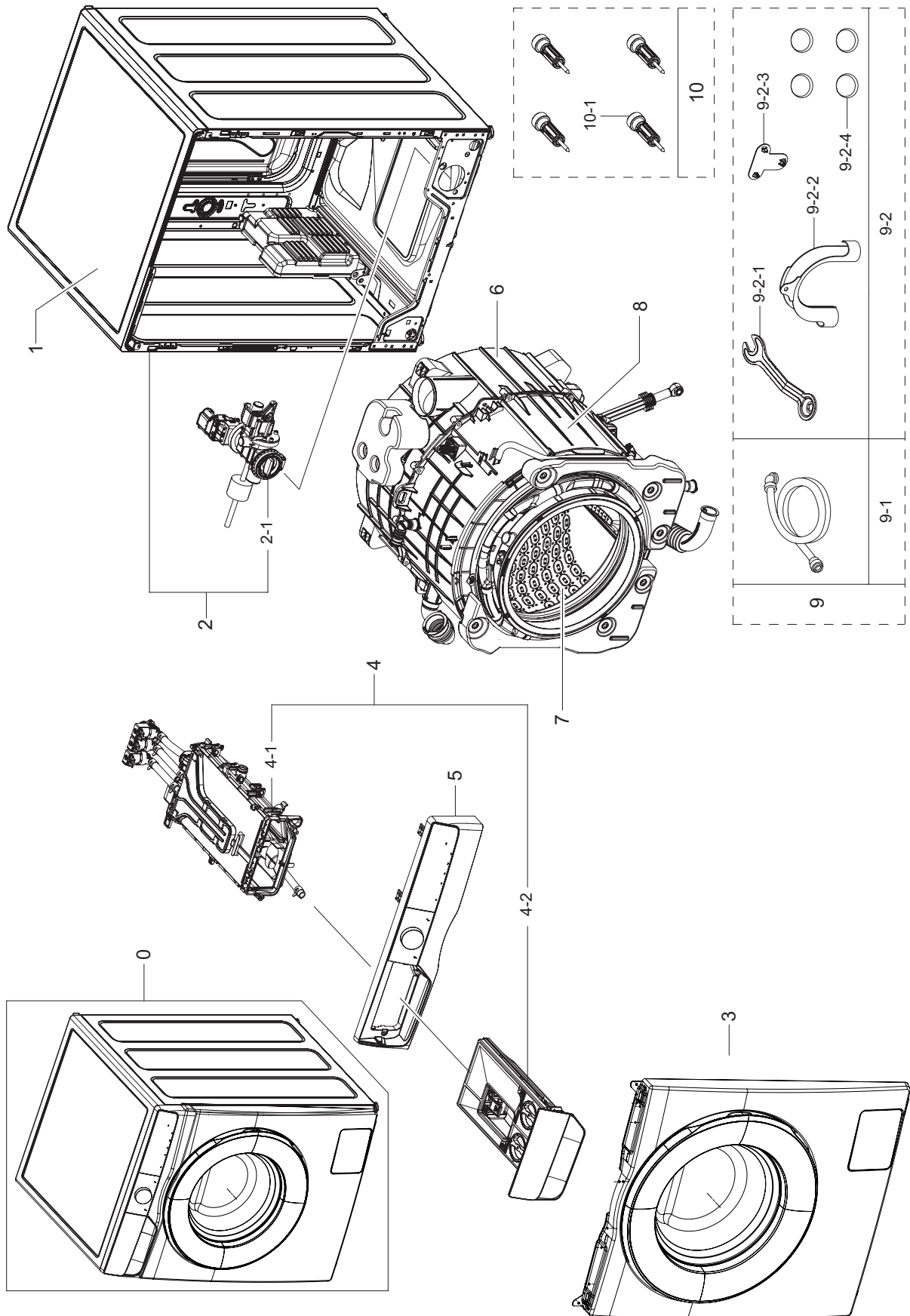
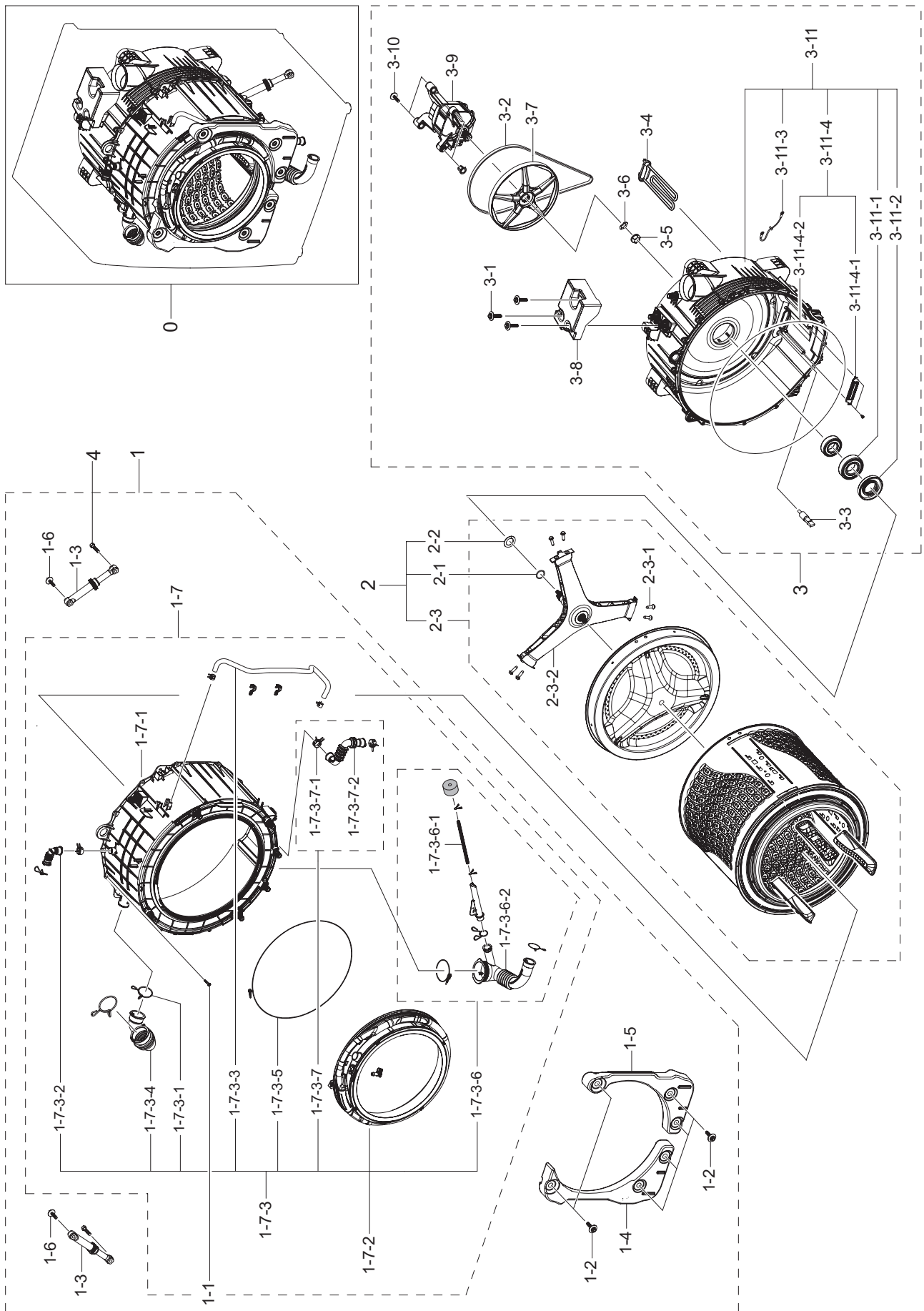


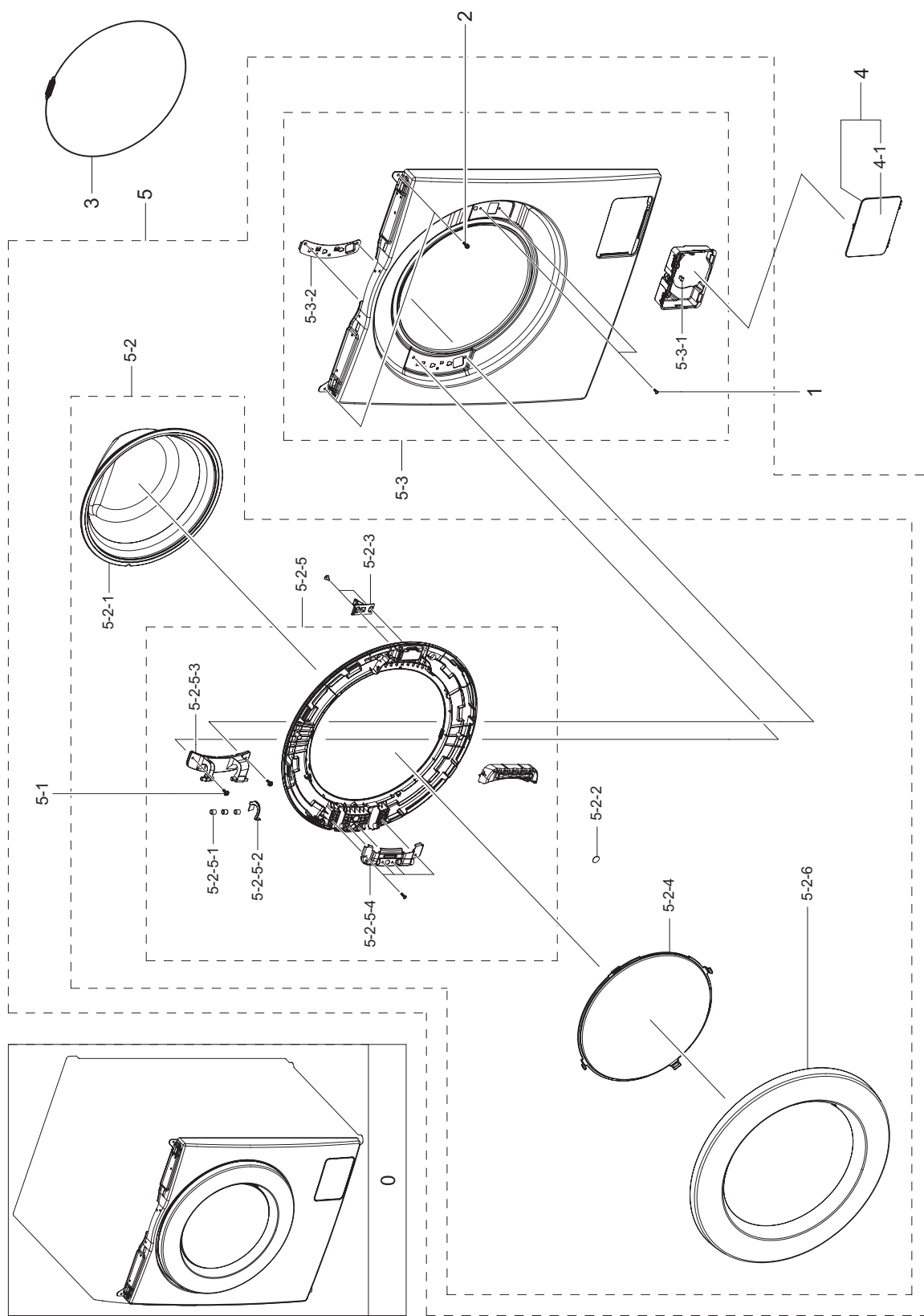
1. MAIN (WW10T534DTW/S3)



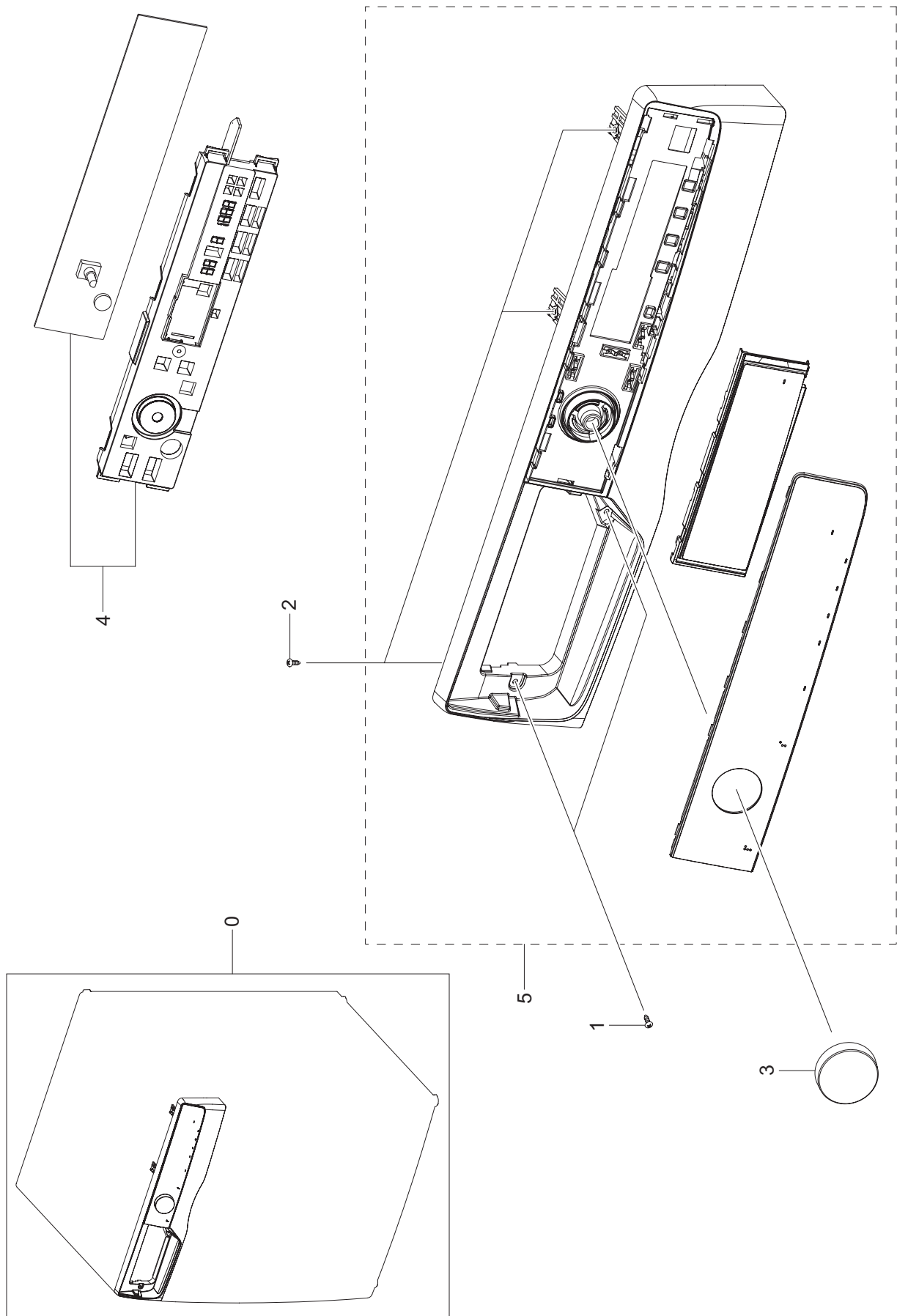
3. ASSY TUB & DRUM PARTS (WW10T534DTW/S3)



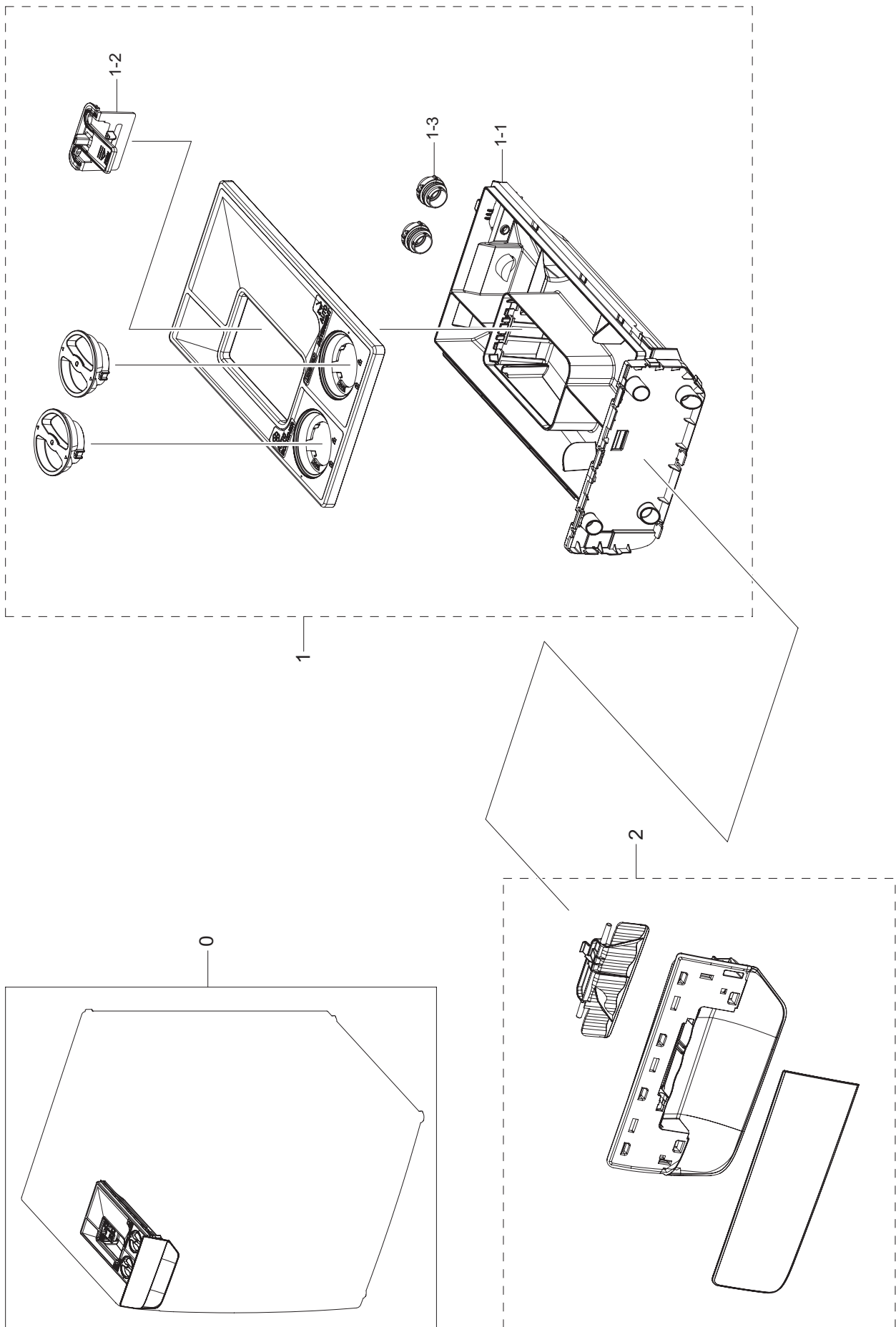
4. ASSY FRAME PARTS (WW10T534DTW/S3)



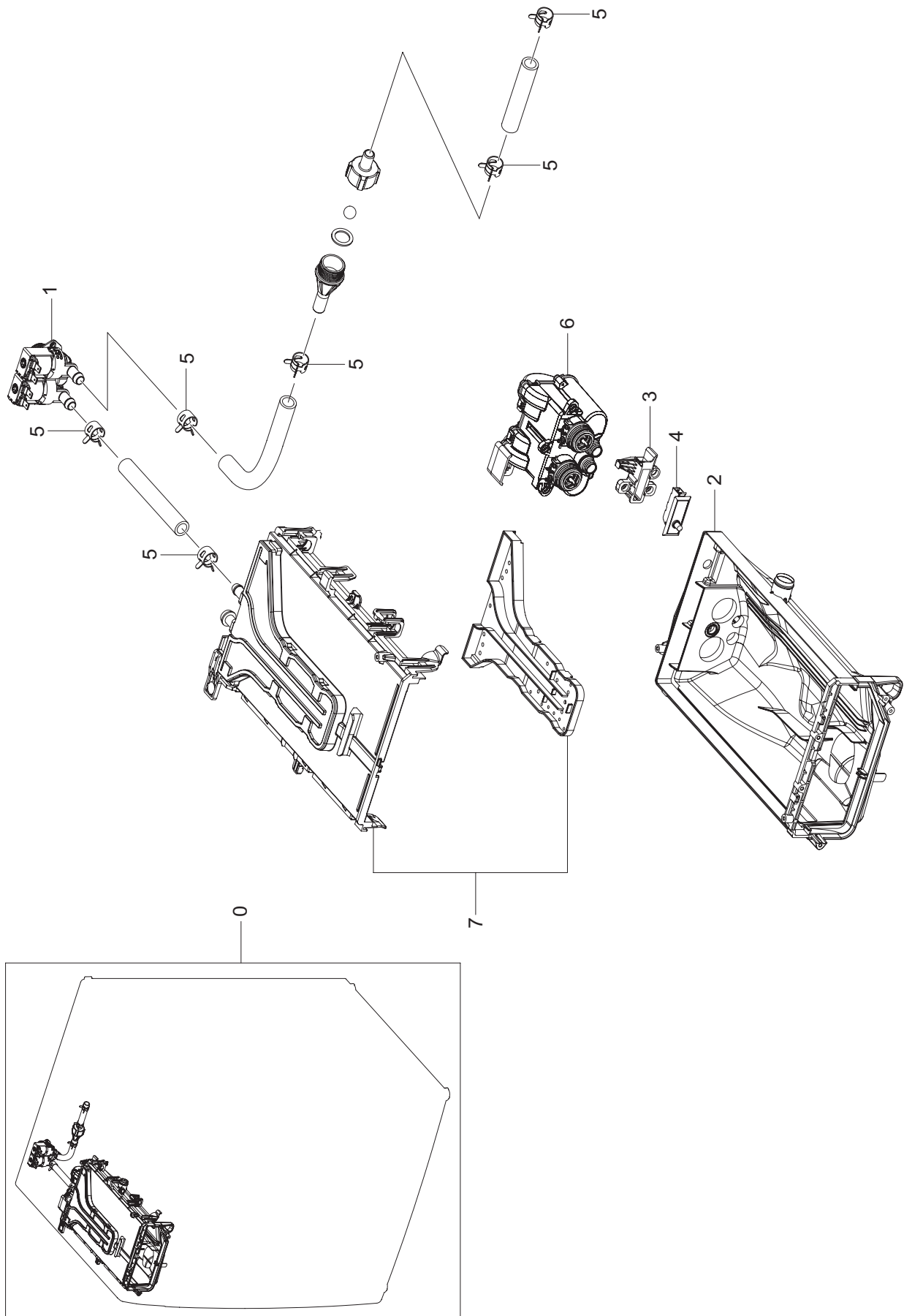
5. ASSY PANEL CONTROL PARTS (WW10T534DTW/S3)



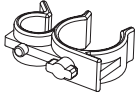

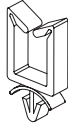

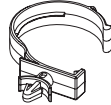
6.ASSY DRAWER PARTS (WW10T534DTW/S3)



7.ASSY HOUSING DRAWER PARTS (WW10T534DTW/S3)



8. SMALL PARTS

				
1	2	3	4	5

MODEL CODE: WW10T534DTW/S3

Service Bom (**SA**: SERVICE AVAILABLE, **SNA**: SERVICE NOT AVAILABLE)

NO.	Code No.	Description	Specification	QTY	Un	SA/SNA
1	DC61-00133A	CLAMPER HOSE-FIX	P1291,PP,HOSE+PLUG,BJ-750	3	PC	SA
2	DC61-00118A	CLAMP-CABLE	P1291,PA66,ID27,OD30,NATURAL,-,-,NC0001	1	PC	SA
3	DC61-00553B	CABLE CLAMP	-,PA66,NTR	1	PC	SNA
4	DC61-00553C	CABLE CLAMP	CT-140,T1.1,W3.5,L145,NTR,NYLON66	1	PC	SNA
5	DC61-02879A	HOLDER WIRE	WF8804CPA,PA,L58.6,NATURAL,2110R	1	PC	SNA