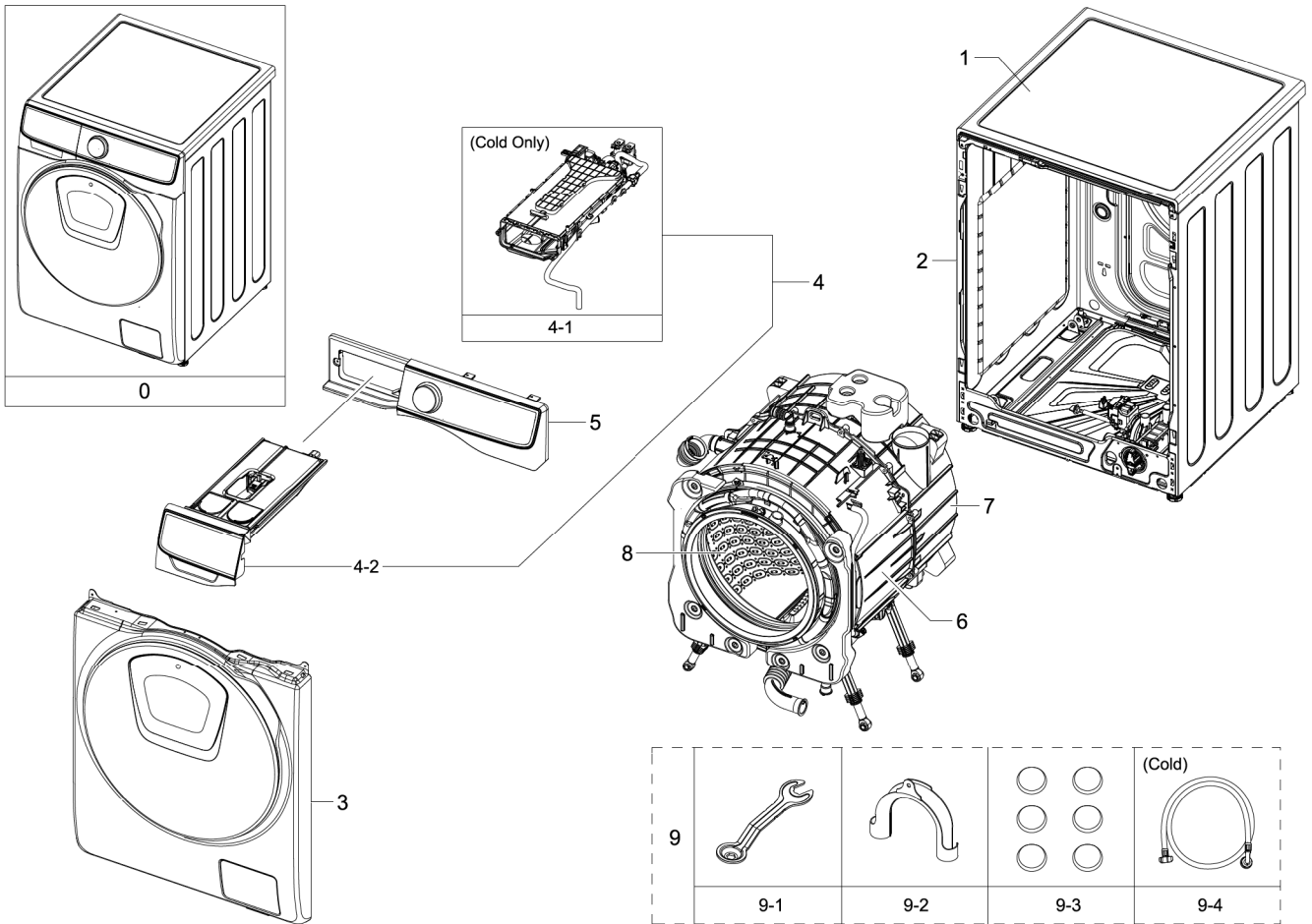


1. WW10M86BQOA/EG

Exploded View

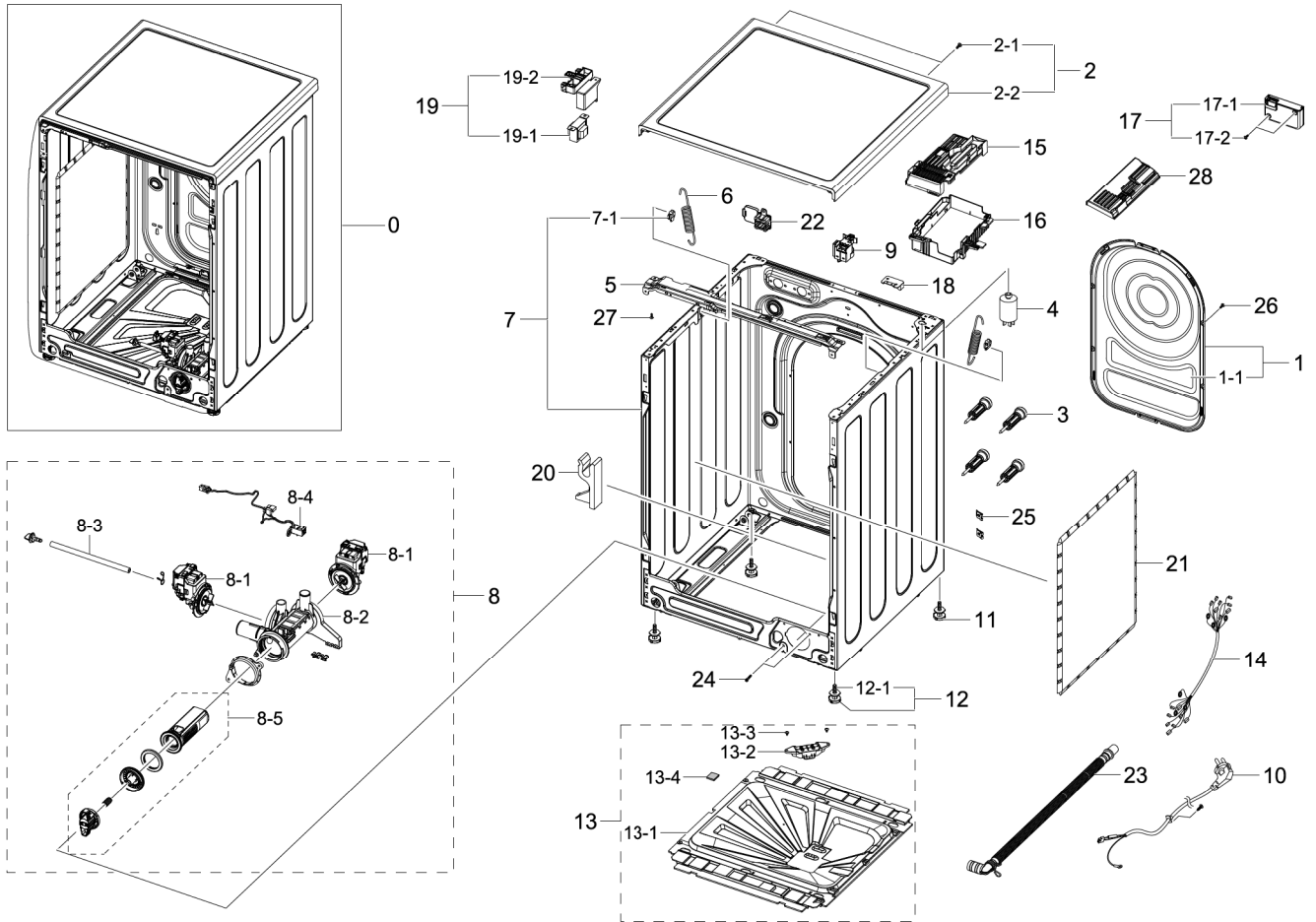


Parts List

No.	Lvl.	Loc.	Material Code	Description & Specification	SNA	Qty.
1	1		DC90-00048R	ASSY COVER TOP PARTS; WW8800M,DA WHITE	SNA	1
2	1		DC90-00050Q	ASSY FRAME PARTS; WW8800M,WW10M86BQOA/EG	SNA	1
3	1		DC90-24835A	ASSY FRONT PARTS; WW8800M	SNA	1
4	1		DC90-25208A	ASSY DRAWER PARTS; WW8800M,10kg.,Auto Disp	SNA	1
4-1	2	WR0008	DC97-20534A	ASSY HOUSING DRAWER; WW8800M,WW10M8,Auto	SA	1
4-2	2	WR0005	DC97-20533C	ASSY DRAWER; WW8800M,ASD,11.5kg, WHITE	SA	1
5	1		DC90-25095A	ASSY PANEL CONTROL PARTS; WW8800M,WW10M86	SNA	1
6	1		DC90-25202A	ASSY TUB FRONT PARTS; WW8800M,Auto Dispen	SNA	1

2. Assy Frame&Cover Parts

Exploded View

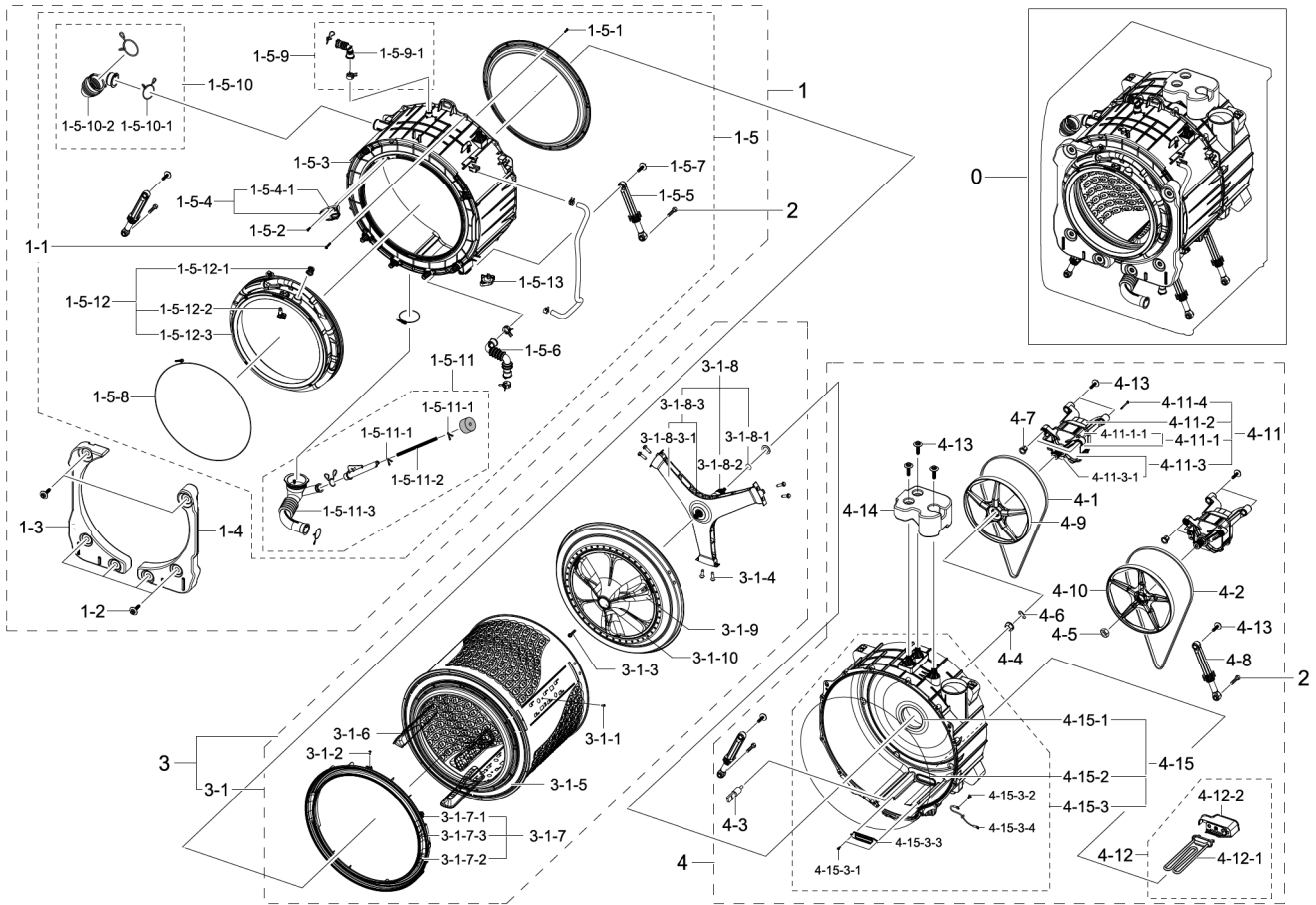


Parts List

No.	Lvl.	Loc.	Material Code	Description & Specification	SNA	Qty.
1	2	WF0002	DC97-20431A	ASSY COVER BACK; WW8800M,GI-SGCC,T0.35	SA	1
1-1	3		DC63-02126A	COVER BACK; WW8800M,GI-SGCC,T0.35	SA	1
2	1		DC90-00048R	ASSY COVER TOP PARTS; WW8800M,DA WHITE	SNA	1
2-1	2	WX0490	6002-001431	SCREW-TAPPING; HEX,+2,M5,L16,ZPC(WHT),SW	SA	2
2-2	2	WF0003	DC97-20437A	ASSY COVER TOP; WW8800M,EUROPE,T3.5,DA WH	SA	1
3	2	WJ5109	DC97-14653C	ASSY FIXER TUB; SCOUT,WF0804Y8E/XEF	SA	4
4	2		DC29-00015G	FILTER EMI; LFT-215G,300Khz,VDE, KS,6.5mH	SA	1
5	2		DC97-20429A	ASSY FRAME PLATE-UP; WW8800M,WW10M8,GI-SG	SA	1
6	2	WF0102	DC61-03099A	SPRING ETC-HANGER; ARNO,HSWR,CD4.2,OD32.2	SA	2

3. Assy Tub&Drum Parts

Exploded View

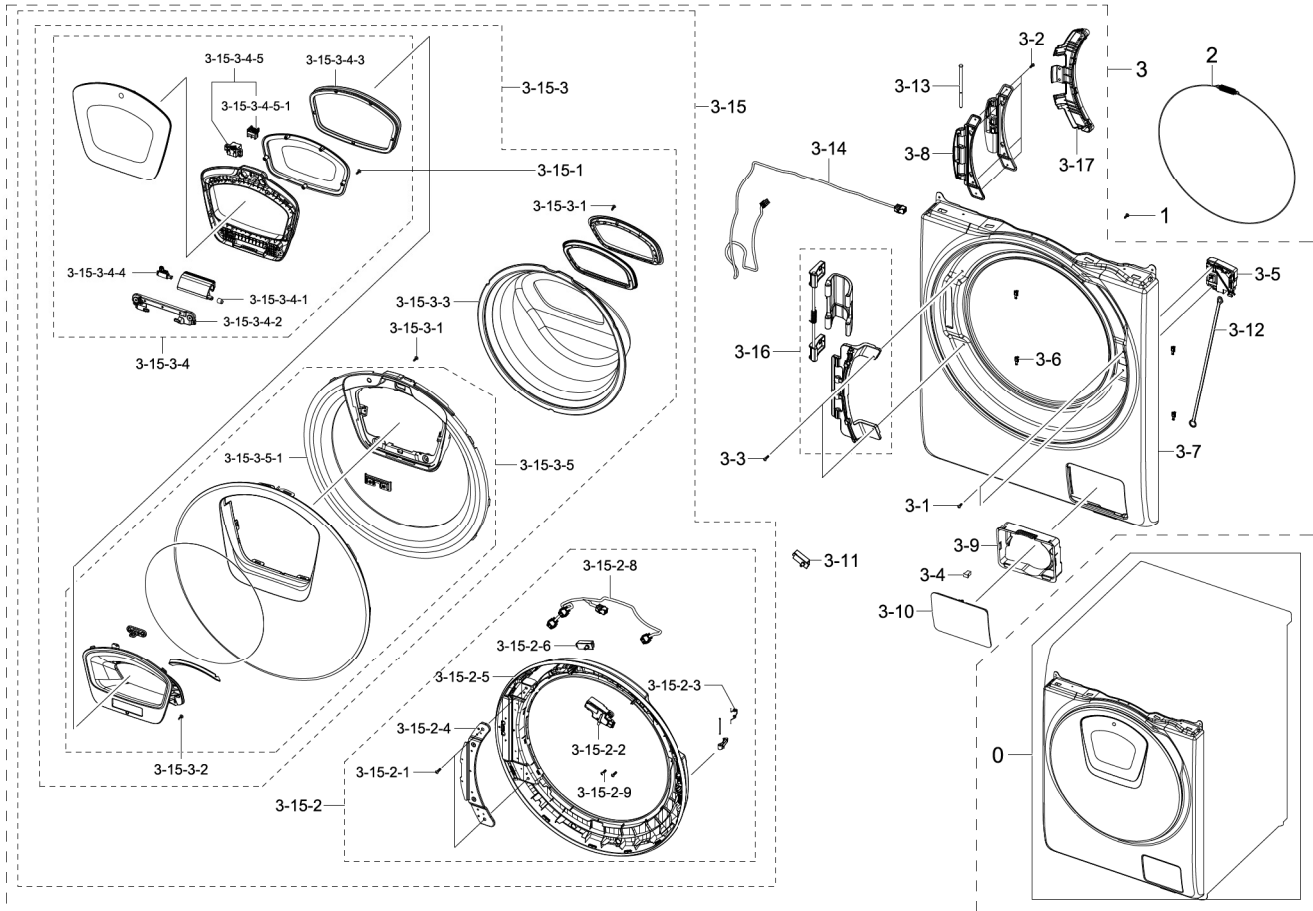


Parts List

No.	Lvl.	Loc.	Material Code	Description & Specification	SNA	Qty.
1	1		DC90-25202A	ASSY TUB FRONT PARTS; WW8800M,Auto Dispen	SNA	1
1-1	2	WX0520	6009-001367	BOLT-HEX; M6.5,L32,ZPC(WHT),SWRCH18A,HWH	SA	14
1-2	2	WJ5013	DC97-14263A	ASSY BOLT; MOTOR/BOLT(M8)+WASHER(OD27.5),	SA	6
1-3	2		DC97-18015A	ASSY WEIGHT BALANCER-LEFT; H800E,Assy	SA	1
1-4	2		DC97-18016A	ASSY WEIGHT BALANCER-RIGHT; H800E,Assy	SA	1
1-5	2	WT0004	DC97-19348B	ASSY SEMI TUB FRONT; WW8800M,ASD	SA	1
1-5-1	3	WX0621	6002-000444	SCREW-TAPPING; TH,+,2,M4,L14,PASS,STS430	SNA	6
1-5-2	3	WX0427	6002-000445	SCREW-TAPPING; TH,+,NO,2,M4,L18,PASS,STS4	SA	2
1-5-3	3		DC61-03815C	TUB FRONT; WW8800M,FRPP,T3.5,WHITE	SNA	1

4. Assy Front Parts

Exploded View

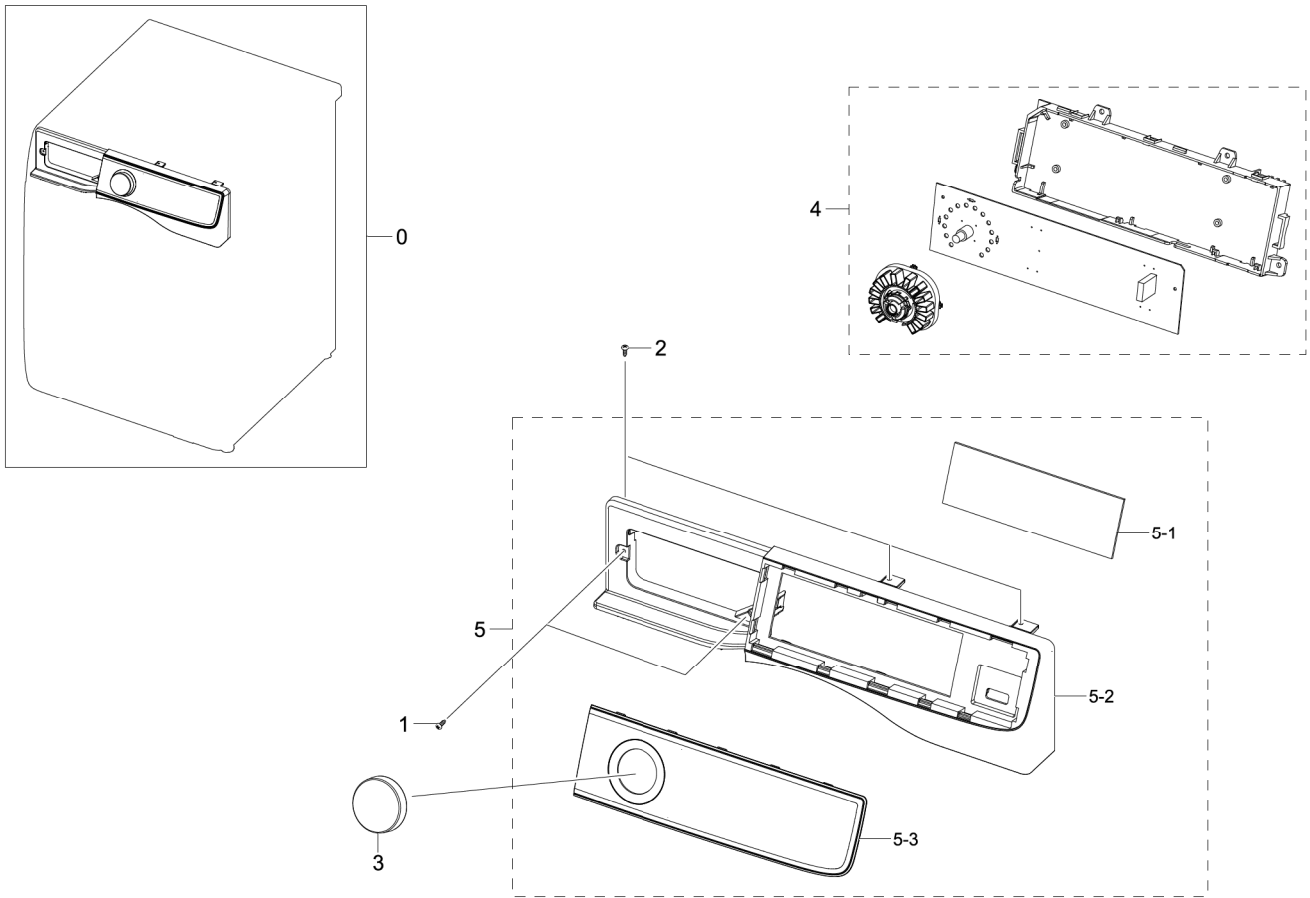


Parts List

No.	Lvl.	Loc.	Material Code	Description & Specification	SNA	Qty.
0	1		DC90-24835A	ASSY FRONT PARTS; WW8800M	SNA	1
1	2	WX0441	6002-000520	SCREW-TAPPING; TH,+,-,2,M4,L12,ZPC(WHT),S	SA	3
2	2	WJ0008	DC91-12078H	ASSY WIRE DIAPHRAGM; H900E	SA	1
3	2	WF0005	DC97-20412A	ASSY FRAME FRONT; WW8800M,DA WHITE	SA	1
3-1	3	WX0621	6002-001286	SCREW-TAPPING; TH,+2,M4,L14,PASS,STS430	SNA	2
3-2	3	WX0427	6002-000445	SCREW-TAPPING; TH,+NO,2,M4,L18,PASS,STS4	SA	4
3-3	3	WX0534	6009-001522	SCREW-HEX; HWH,+M5,L16,PASS,STS430,FP,SE	SA	2
3-4	3	WD0107	DA66-01072A	LATCH; LATOUR,POM,NATURAL,DC LATCH	SA	1
3-5	3		DC34-00026A	SWITCH DOOR LOCK; AC250V,16,SOLNOID, DOOR	SA	1

5. Assy Panel Control Parts

Exploded View

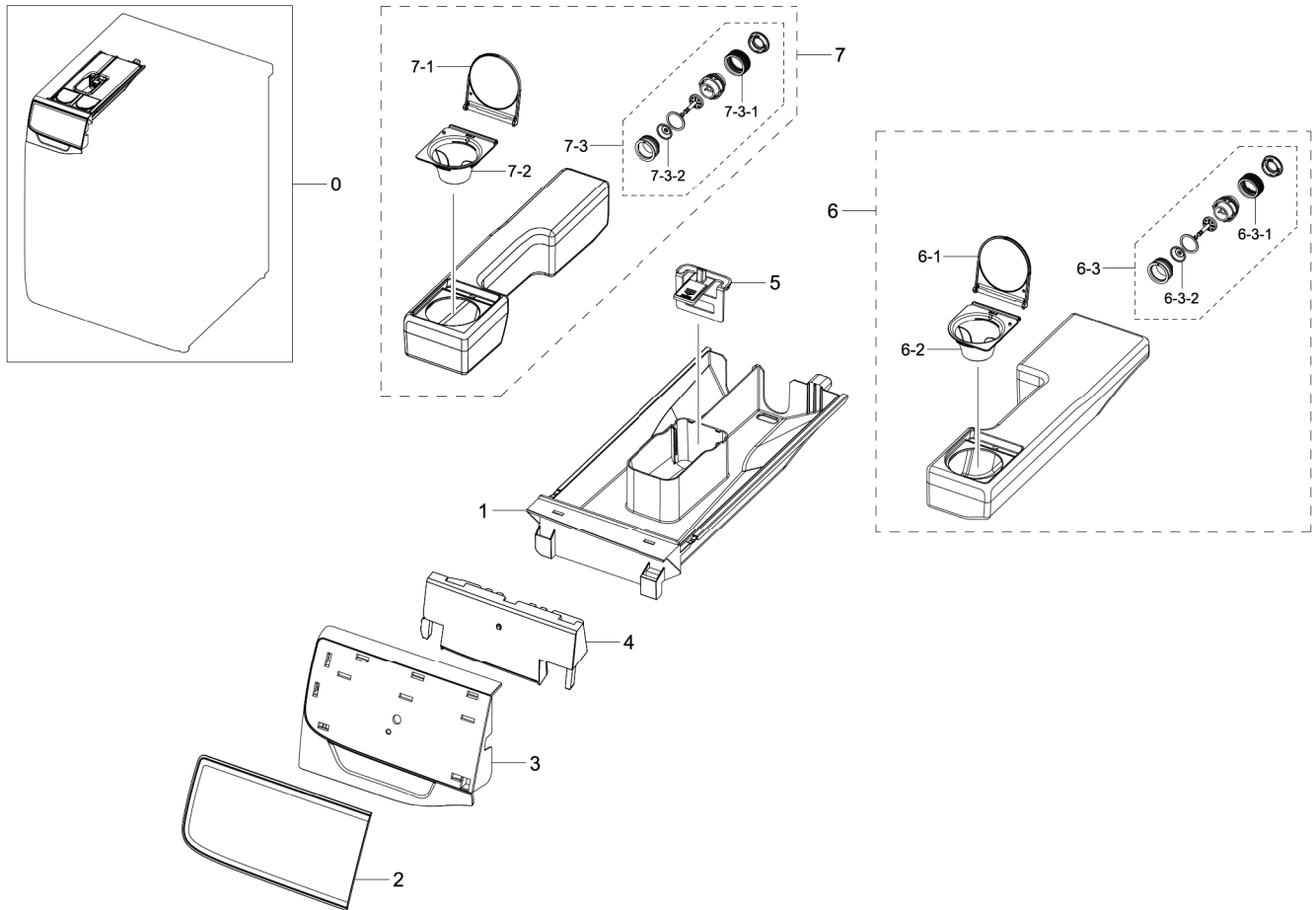


Parts List

No.	Lvl.	Loc.	Material Code	Description & Specification	SNA	Qty.
0	1		DC90-25095A	ASSY PANEL CONTROL PARTS; WW8800M,WW10M86	SNA	1
1	2	WX0427	6002-000445	SCREW-TAPPING; TH,+,NO,2,M4,L18,PASS,STS4	SA	2
2	2	WX0441	6002-000520	SCREW-TAPPING; TH,+,-,2,M4,L12,ZPC(WHT),S	SA	3
3	2		DC64-03648A	KNOB ENCODER; WW8800M,ABS,NATURAL,MP-0160	SA	1
4	2		DC92-02133B	ASSY PCB DISPLAY; FWM_INV,MK WW8800M,292x	SA	1
5	2	WC0016	DC97-20436D	ASSY PANEL CONTROL; WW8800M,EG,WHITE,Auto	SA	1
5-1	3		DC92-02129A	ASSY MODULE; FWM_Touch Sensor,WW88/7800M	SA	1

6. Assy Drawer Assy Drawer

Exploded View

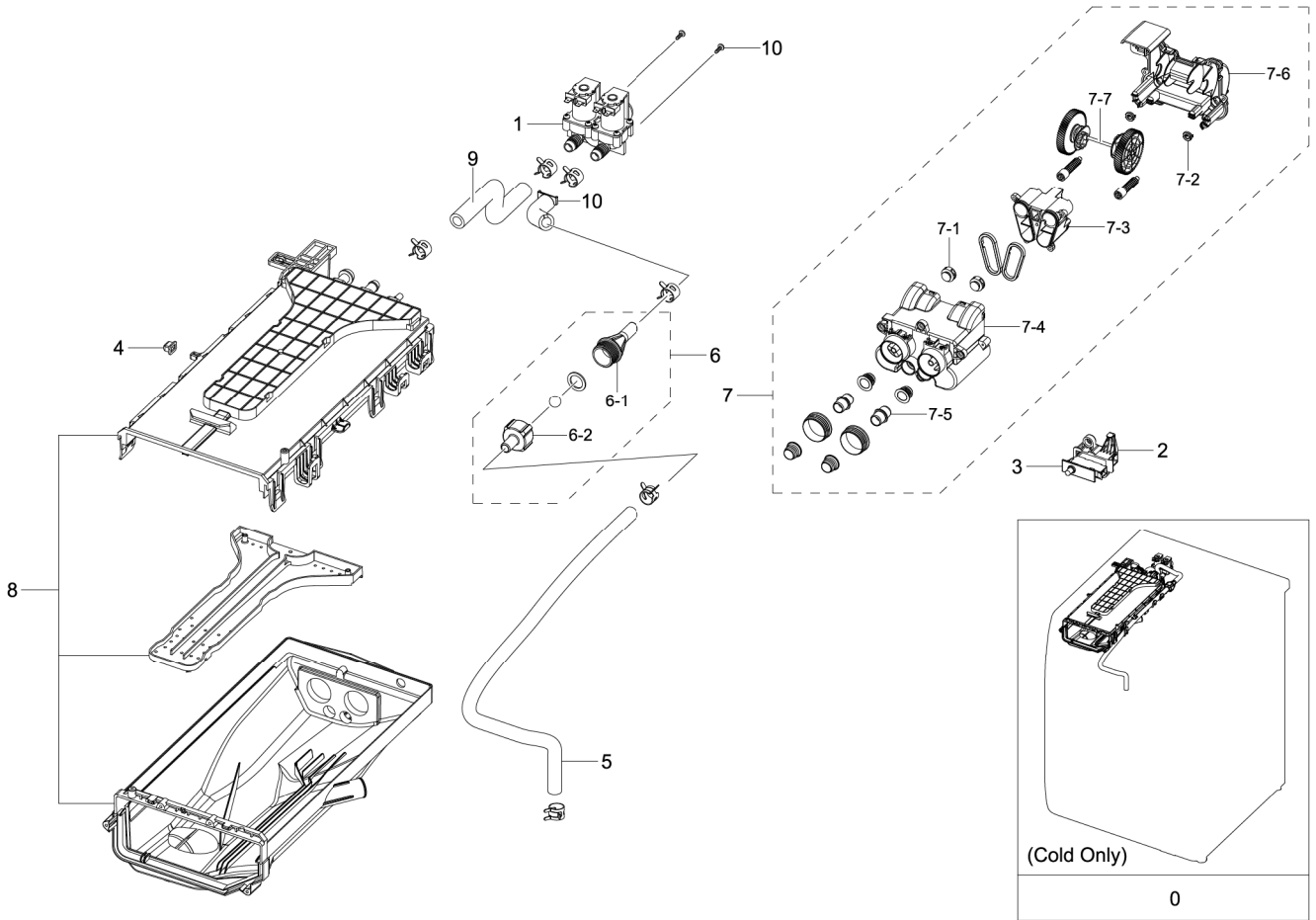


Parts List

No.	Lvl.	Loc.	Material Code	Description & Specification	SNA	Qty.
0	1		DC90-25208A	ASSY DRAWER PARTS; WW8800M,10kg,Auto Disp	SNA	1
1	3		DC61-04507A	BODY DRAWER; WW8800M,PP,DA WHITE,WT0035,-	SA	1
2	3		DC64-03475F	DECORATION PANEL; WW8800M,ABS,SILKY SMOG,	SNA	1
3	3	WC0120	DC64-03650A	PANEL DRAWER; WW8800M,ABS,HG-0760GP,DA WH	SA	1
4	3	WR0037	DC64-03651A	HANDLE DRAWER; WW8800M,ABS,HG-0760GP,DA W	SA	1
5	3		DC67-00928A	CAP GUIDE WATER; WW8800M,PP,FC2305,NATURA	SA	1
6	3	WR0002	DC97-20420A	ASSY CASE DETERGENT; WW8800M,WW10M8	SA	1
6-1	4		DC63-02161A	COVER DETERGENT; WW10M86DQOO/EU,PP,DA WHI	SA	1

7. Assy Drawer Assy Housing Drawer

Exploded View


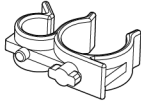

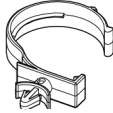

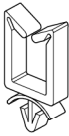

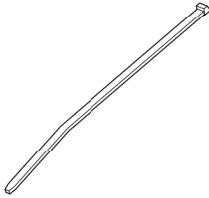
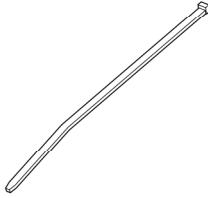

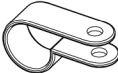




Parts List

No.	Lvl.	Loc.	Material Code	Description & Specification	SNA	Qty.
0	2	WR0008	DC97-20534A	ASSY HOUSING DRAWER; WW8800M,WW10M8,Auto	SA	1
1	3	WE5152	DC62-00024M	VALVE WATER; AC220-240V,Bracket,1in 2out,	SC	1
2	3		DC63-02160A	COVER DOOR SWITCH; WW10M86DQOO/EU,PP,NATU	SA	1
3	3		DC64-00828G	SWITCH DOOR; AC125/250V,1.5/0.75,1BUTTON,	SA	2
4	3		DC67-00327A	CAP DRAWER HOOK; HEBA-PJT,EPDM,T1.1,W13.9	SA	1
5	3		DC67-00849C	HOSE DRAWER; WW8800M AOW,EPDM,ID9,HS65,BL	SA	1
6	3		DC93-00306A	ASSY S.NOZZLE CONNECTOR; WD0804,SCOUT COM	SA	1
6-1	4	WL0011	DC62-00182A	NOZZLE CONNECTOR-UP; POM,NATURAL,TS-2 PJT	SA	1

8. Small Parts

Exploded View

				
1	2	3	4	5
				
6	7	8	9	10
				
11	12	13		

Parts List

No.	Lvl.	Loc.	Material Code	Description & Specification	SNA	Qty.
1	2	WI0293	DC61-40083A	HOLDER WIRE; DAWH-3ND,PA66,NTR(PI24.4)NY	SNA	1
2	2		DC61-00133A	CLAMPER HOSE-FIX; P1291,PP,-,HOSE+PLUG,BJ	SNA	1
3	2		DC61-00118A	CLAMP-CABLE; P1291,PA66,NATURAL,NC0001	SNA	1
4	2		DC61-02879A	HOLDER WIRE; WF8804CPA,PA,-,NATURAL,-,211	SA	1
5	2	WI0295	DC61-60074A	HOLDER WIRE; PA,-,NATURAL,-,101F,rectangl	SA	3
6	3	WI0294	DC61-00553B	CABLE CLAMP; DAWS-3NE,PA66,NTR	SA	2
7	2		6502-000127	CABLE CLAMP; DAWH-18NB,PA66,NTR	SNA	1
8	3	WJ0021	6501-001001	CABLE TIE; DACT-100A,T1.0,W2.5,L100,NTR,N	SNA	1