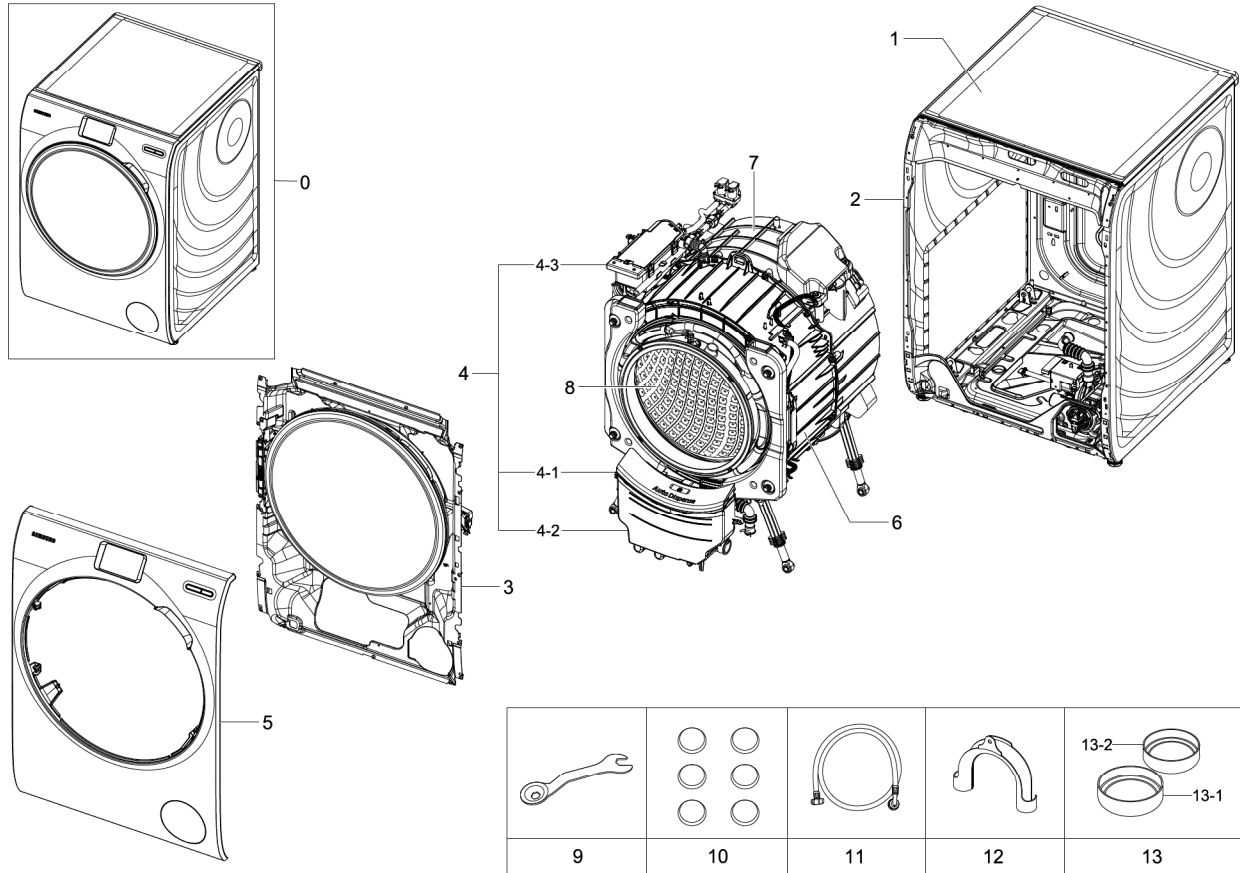


1. Main

Exploded View

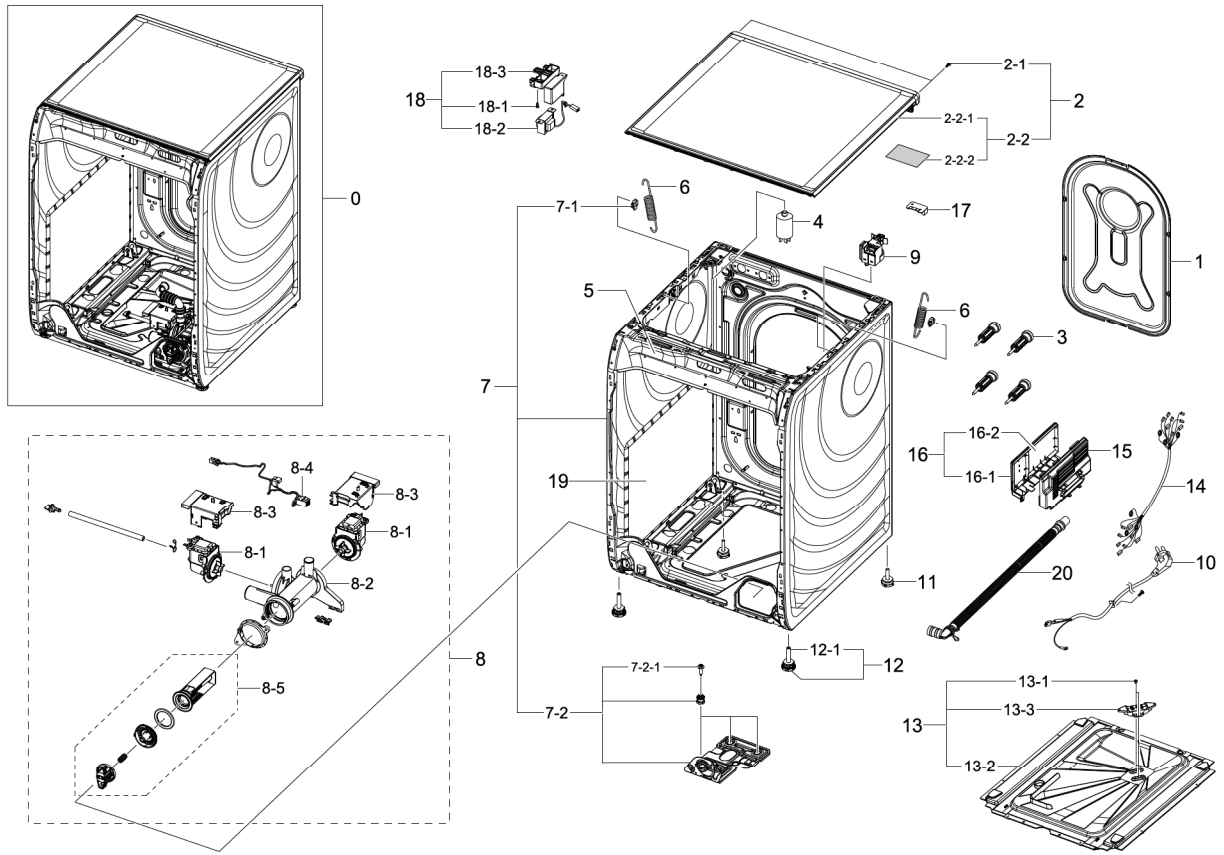


Parts List

No.	Lvl.	Loc.	Material Code	Description & Specification	SNA	Qty.
1	1	WF0003	DC90-15794A	ASSY COVER TOP; WW10H9600EX/EU	SNA	1
2	1		DC90-15879A	ASSY FRAME; WW10H9600EX/EU	SNA	1
3	1	WF0009	DC90-15093A	ASSY FRONT; H900E	SNA	1
4	1	WR0005	DC90-15151A	ASSY DRAWER; H900E	SNA	1
4-1	2	WR0002	DC97-18026A	ASSY CASE DETERGENT; H900E	SA	1
4-2	2	WR0001	DC97-18028A	ASSY BODY DETERGENT; H900E	SA	1
4-3	2	WR0008	DC97-18188A	ASSY HOUSING DRAWER; NEA,WF10H9E9U6S	SA	1
5	1	WC0016	DC90-15811A	ASSY PANEL CONTROL; WW10H9600EX/EU	SNA	1
6	1	WT0008	DC90-15123A	ASSY TUB FRONT; H900E	SNA	1
7	1	WT0007	DC90-15091A	ASSY TUB BACK; H900E	SNA	1
8	1	WG0004	DC90-15086A	ASSY DRUM; H900E	SNA	1
9	2	WJ5077	DC60-40146A	BOLT SPANER; CR,T2.5,-	SA	1

2. Assy Frame&Cover Parts

Exploded View

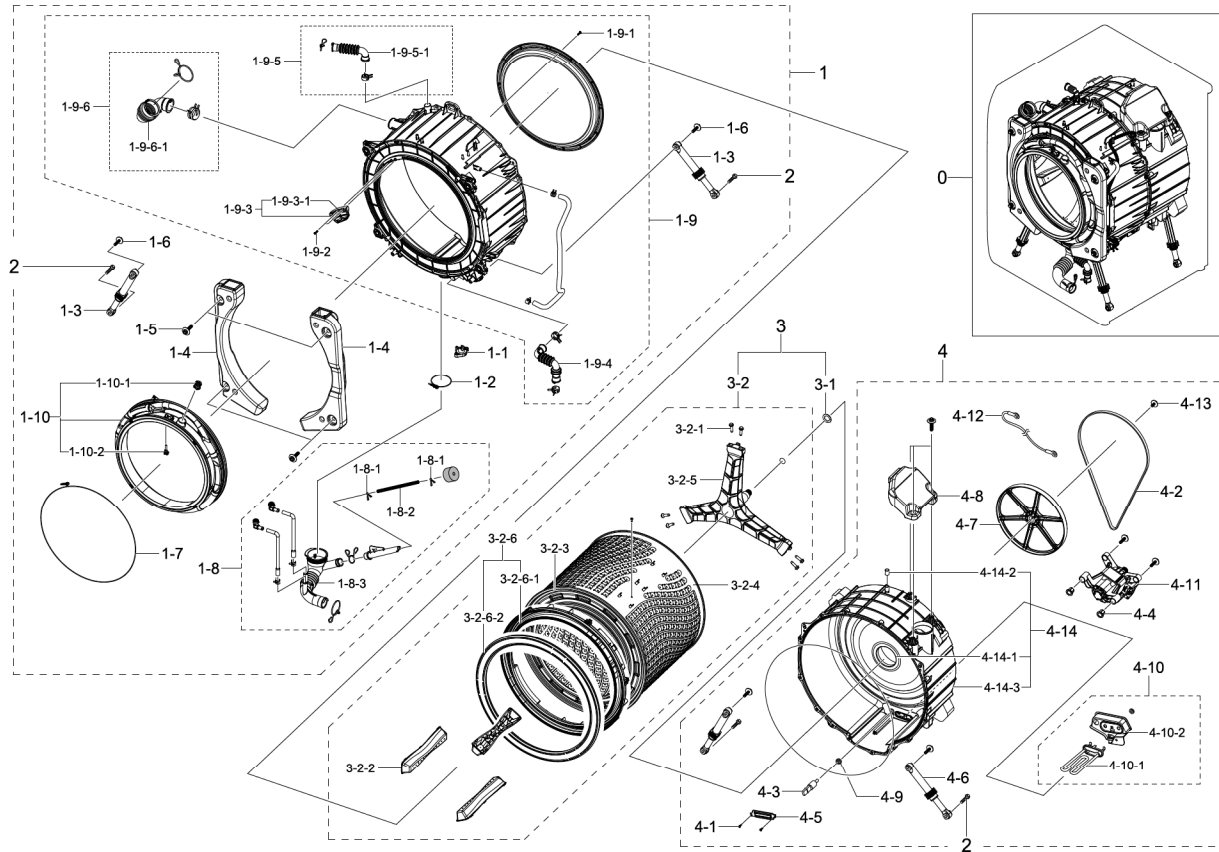


Parts List

No.	Lvl.	Loc.	Material Code	Description & Specification	SNA	Qty.
1	2	WF0002	DC97-16695A	ASSY COVER BACK; ARNO,WF1124ZAC/XEF	SA	1
2	1	WF0003	DC90-15794A	ASSY COVER TOP; WW10H9600EX/EU	SNA	1
2-1	2	WX0531	6009-001476	SCREW-HEX;HEX,+,M5,L10,Ni-Zn(WHT),SWRCHSA	SA	2
2-2	2	WF0003	DC97-18021B	ASSY COVER TOP; WW9000H	SNA	1
2-2-1	3		DC63-01708B	COVER TOP; ABS,T3.5,HB,INOX GRAY,HG-0760G	SA	1
2-2-2	3		6812-000082	LABEL AS LIST; YUPO 80G+OPP,W63xL90,Europ	SNA	1
3	2	WJ5109	DC97-14653C	ASSY FIXER TUB; SCOUT,WF0804Y8E/XEF	SA	4
4	2		DC29-00023A	FILTER EMI; FA-2154T-01,-,AC 250V,15,53*9	SA	1
5	2	WF0008	DC97-18041A	ASSY FRAME PLATE(U); NEA,WF10H9E9U6S	SA	1
6	2	WF0102	DC61-03099A	SPRING ETC-HANGER; ARNO,HSWR-SWRH,CD4.2,O	SA	2
7	2	WF0004	DC97-18036B	ASSY FRAME; WW9000HE, WW10H9600EX,INOX	SNA	1

3. Assy Tub&Drum

Exploded View

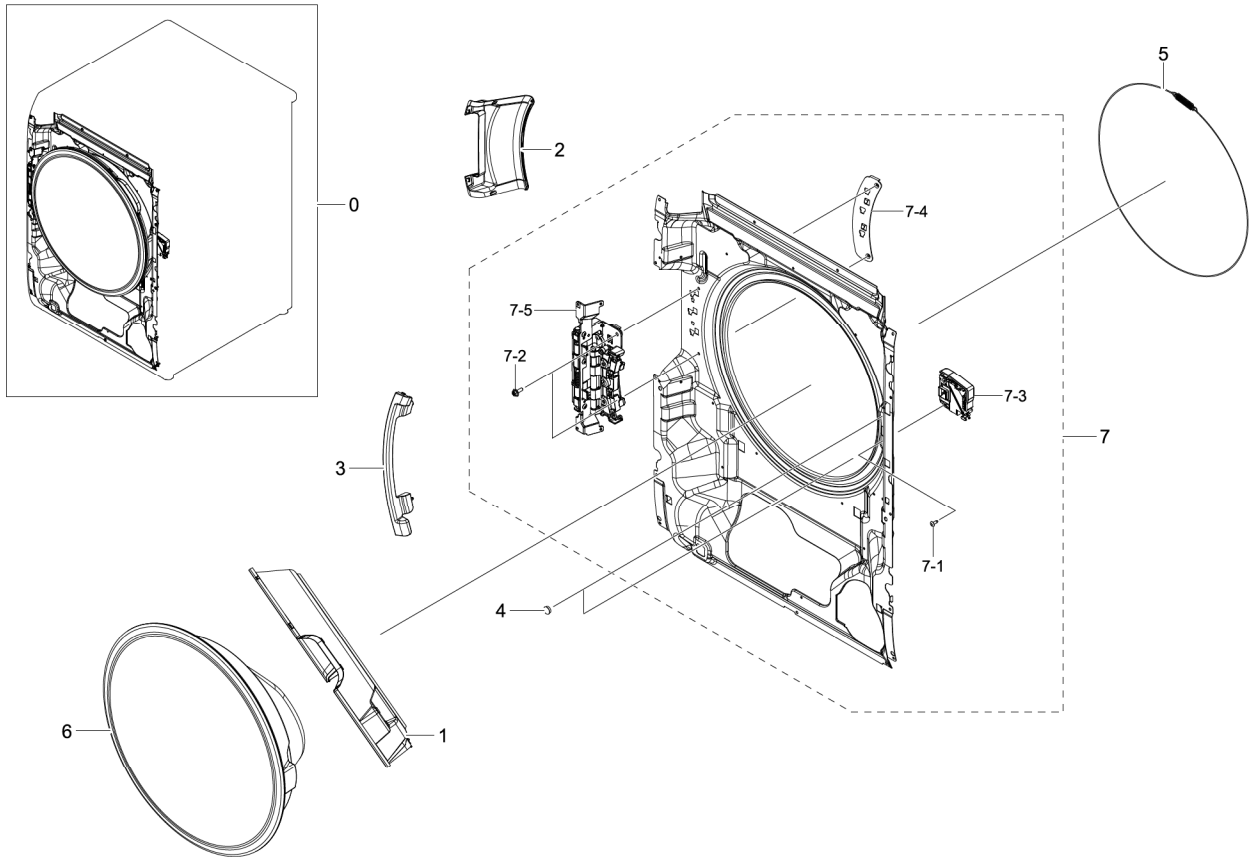


Parts List

No.	Lvl.	Loc.	Material Code	Description & Specification	SNA	Qty.
1	1	WT0008	DC90-15123A	ASSY TUB FRONT; H900E	SNA	1
1-1	2		DC32-00018A	SENSOR-TURBIDITY; NEA PJT,DC 5V,TURBIDITY	SA	1
1-2	2		DC65-00021A	CLAMPER HOSE-JOINT; HEBA PJT,HSWR-SWRH,ID	SNA	1
1-3	2	WB5214	DC66-00343K	DAMPER SHOCK; GE24"-PJT,PP,60N,W24,BLACK,	SA	2
1-4	2		DC67-00751A	WEIGHT BALANCER; PP,NATURAL,FRONT	SNA	2
1-5	2	WJ5042	DC97-02412A	ASSY BOLT; MOTOR/ M8*L62,,,,,,	SA	4
1-6	2	WJ5013	DC97-14263A	ASSY BOLT; MOTOR/BOLT(M8)+WASHER(OD27.5),	SA	2
1-7	2		DC97-14618G	ASSY CLAMP DIAPHRAGM; H900E,HSWR	SA	1
1-8	2		DC97-16644C	ASSY HOSE PRESSURE; No PBA,No Hook	SA	1
1-8-1	3	WP0165	DC61-70029C	CLIP RING; SEW-HW125,HSWR,WHITE	SA	2

4. Assy Front

Exploded View

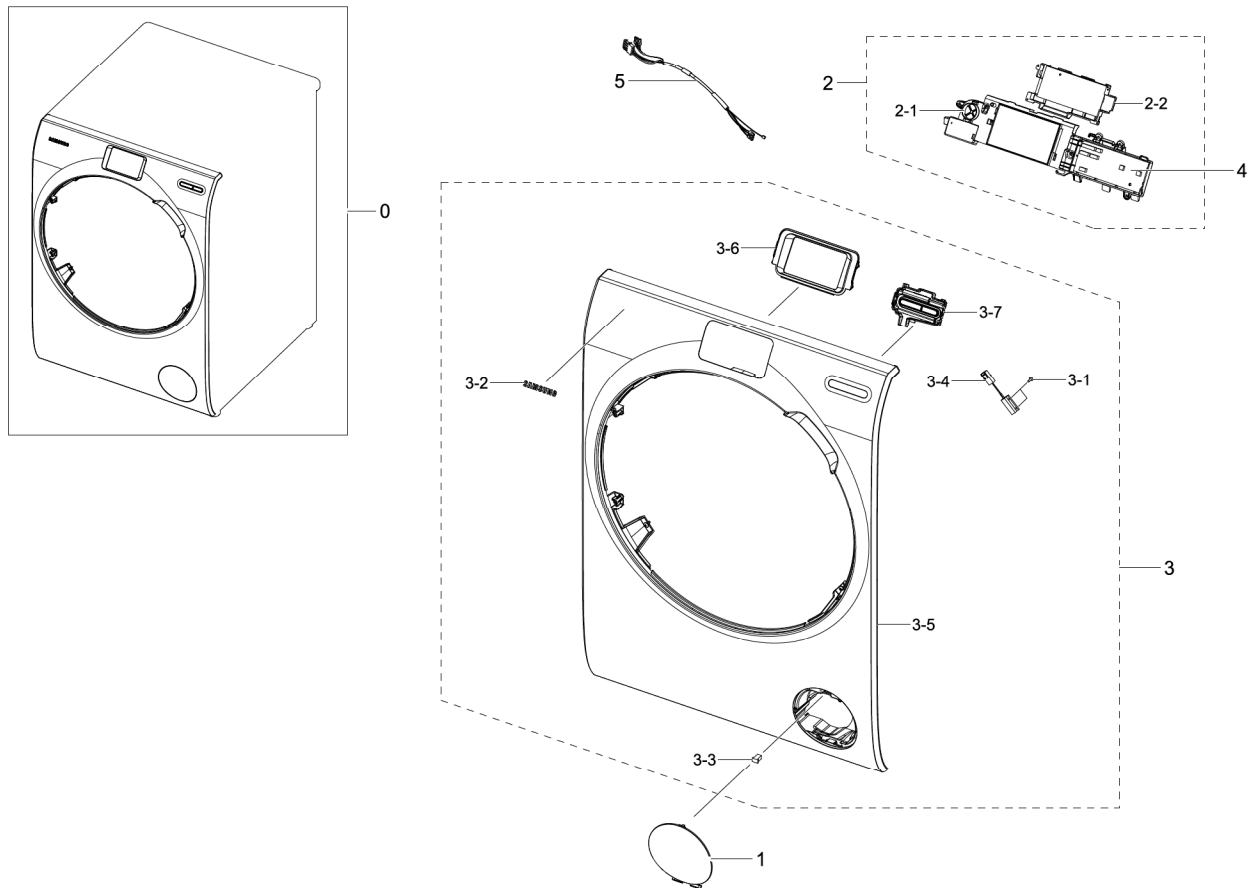


Parts List

No.	Lvl.	Loc.	Material Code	Description & Specification	SNA	Qty.
0	1	WF0009	DC90-15093A	ASSY FRONT; H900E	SNA	1
1	2		DC61-03781A	GUIDE COVER FRONT; H900E,ABS,T3.0,-,HG-07	SA	1
2	2		DC63-01698A	COVER HOLDER; WW9000HE,PP,T3.0,-,VERSAILL	SA	1
3	2		DC63-01701A	COVER HINGE; H900E,ABS,T3.0,-,VERSAILLES	SA	1
4	2		DC63-01774A	COVER SCREW; EPDM,-,-,VERSAILLES GRAY,SIL	SA	2
5	2	WJ0008	DC91-12078H	ASSY WIRE DIAPHRAGM; H900E	SA	1
6	2	WD0003	DC97-18003A	ASSY DOOR; H900E,WF10H9E9U6S	SA	1
7	2	WF0005	DC97-18040A	ASSY FRAME FRONT; NEA,WF10H9E9U6S	SA	1
7-1	3	WX0621	6002-000444	SCREW-TAPPING; TH,+2,M4,L14,PASS,STS430	SA	6
7-2	3	WX0534	6009-001522	SCREW-HEX; HWH,+M5,L16,PASS,STS430,FP,SE	SA	2

5. Assy Panel Control

Exploded View

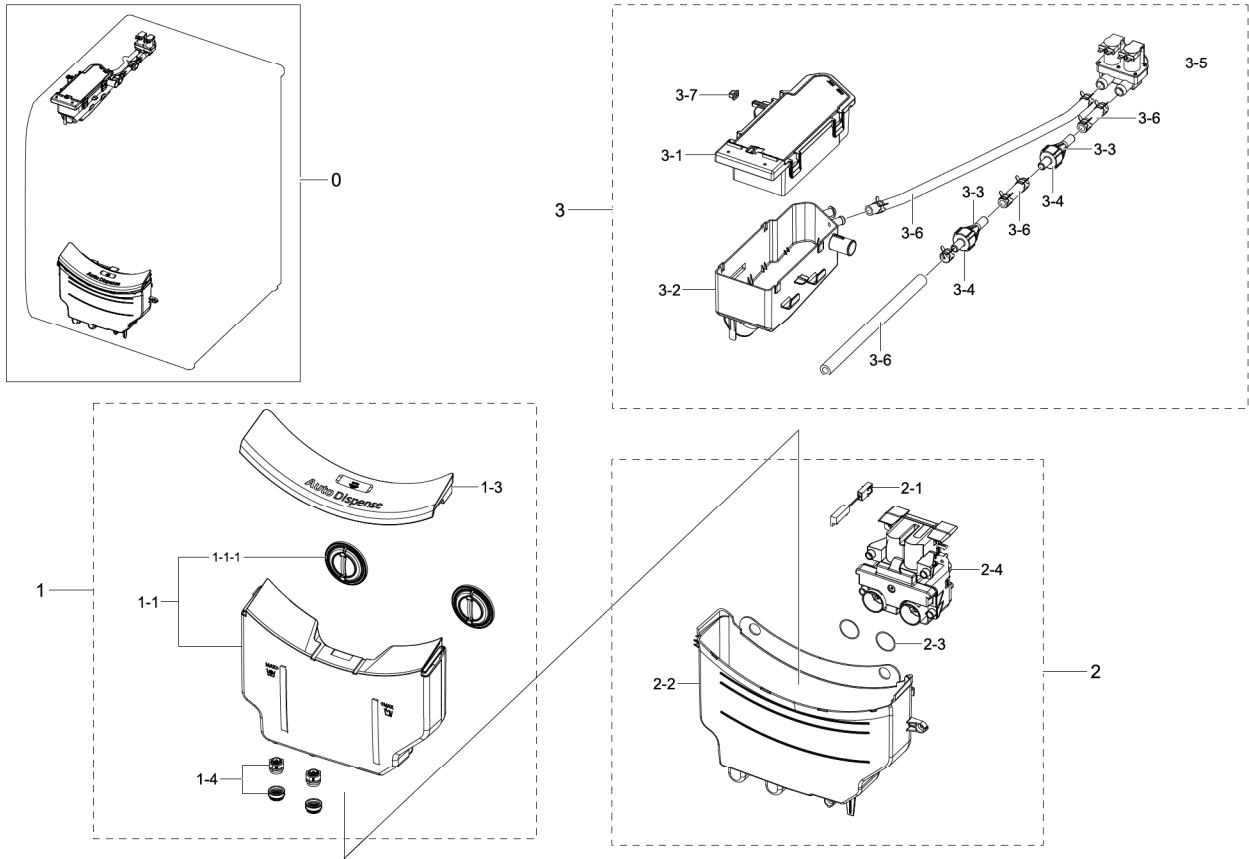


Parts List

No.	Lvl.	Loc.	Material Code	Description & Specification	SNA	Qty.
0	1	WC0016	DC90-15811A	ASSY PANEL CONTROL; WW10H9600EX/EU	SNA	1
1	2		DC63-01720B	COVER FILTER; WW9000HE,ABS,-,-,DA SILVER,	SA	1
2	2		DC92-01601A	ASSY MODULE; H900E	SA	1
2-1	3	RD189	3001-002716	SPEAKER; 2W,8ohm,92dB,450,40x40x10.1mm	SA	1
2-2	3		4709-002209	W-LAN MODULE; WIDT-30Q,Internal WiFi,USB,	SA	1
3	2	WI0013	DC97-18030B	ASSY COVER FRONT; WW9000HE,INOX GRAY	SA	1
3-1	3	WX0615	6002-000630	SCREW-TAPPING; PH,+ ,NO,2S,M3,L8,ZPC(WHT),	SA	2
3-2	3	WC0114	DA64-03804A	MASCOT; ALL,NICKEL,T0.05,L65	SA	1
3-3	3	WD0107	DA66-01072A	LATCH; LATOUR,POM,BLACK,DC LATCH	SA	1
3-4	3	WE0134	DC34-00001G	SWITCH REED; 25.40.5mm,14mm,30mm	SA	1

6. Assy Drawer

Exploded View

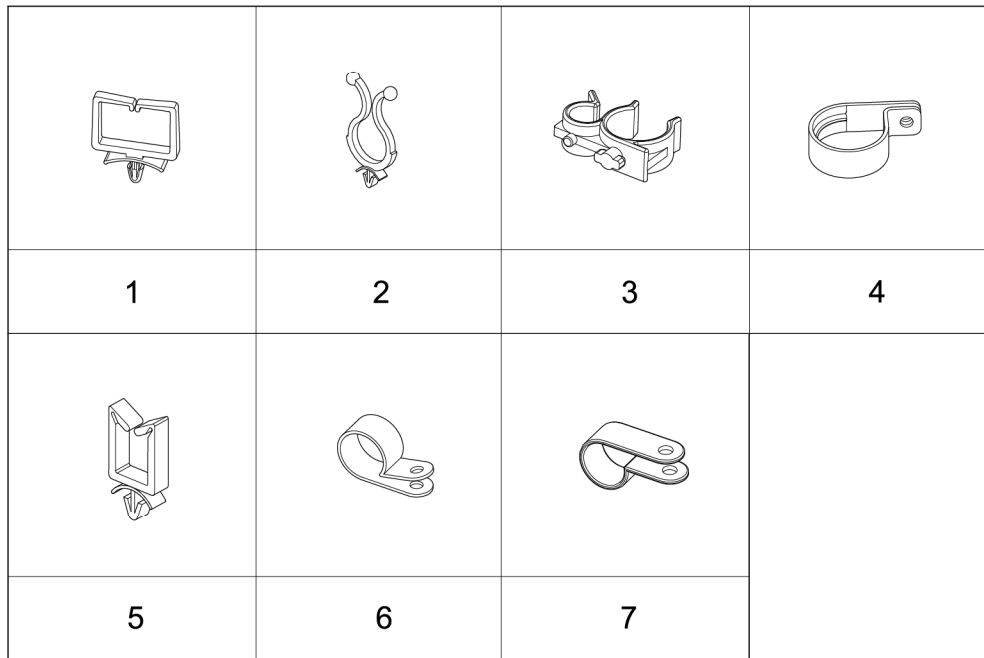


Parts List

No.	Lvl.	Loc.	Material Code	Description & Specification	SNA	Qty.
0	1	WR0005	DC90-15151A	ASSY DRAWER; H900E	SNA	1
1	2	WR0002	DC97-18026A	ASSY CASE DETERGENT; H900E	SA	1
1-1	3	WR0006	DC97-18027A	ASSY F.DETERGENT; H900E	SA	1
1-1-1	4		DC63-01712A	COVER DETERGENT; H900E,PP,T2.5,-,DARK HOL	SA	2
1-3	3		DC97-18029A	ASSY COVER HANDLE; H900E	SA	1
1-4	3	WI0004	DC97-18032A	ASSY CAP V.W; H900E	SA	2
2	2	WR0001	DC97-18028A	ASSY BODY DETERGENT; H900E	SA	1
2-1	3	WE0134	DC34-00001G	SWITCH REED; 25.40.5mm,14mm,30mm	SA	1
2-2	3		DC61-03778A	BODY DETERGENT; PP,DARK HOLDER GRAY,-,FC2	SNA	1
2-3	3		DC62-00364A	SEAL RING; WD197ABGRSU,SILICON,BLK	SA	2
2-4	3		DC97-18007A	ASSY PUMP DRAIN; H900E	SNA	1

7. Small Parts

Exploded View



Parts List

No.	Lvl.	Loc.	Material Code	Description & Specification	SNA	Qty.
1	3	WI0295	DC61-60074A	HOLDER WIRE; PA,-,NATURAL,-,rectangle	SA	1
2	2	WI0293	DC61-40081A	HOLDER WIRE; DAWH-2NC,PA,-,NATURAL,-	SA	1
3	2		DC61-00133A	CLAMPER HOSE-FIX; P1291,PP,-,HOSE+PLUG,BJ	SNA	1
4	2		DC61-00118A	CLAMPER HOSE-FIX; P1291,PA66,ID27,OD30	SNA	1
5	2	WI0294	DC61-00553B	HOLDER-WIRE SADDLE; PA,NTR,NYLON66	SA	5
6	2	WX0599	6502-000168	CABLE CLAMP; DA-6N,ID10.0,T1.0,NYLON6/6,N	SNA	1
7	2		DC65-20010A	CABLE CLAMP; DA-9N-1,NYLON66,NTR	SNA	1