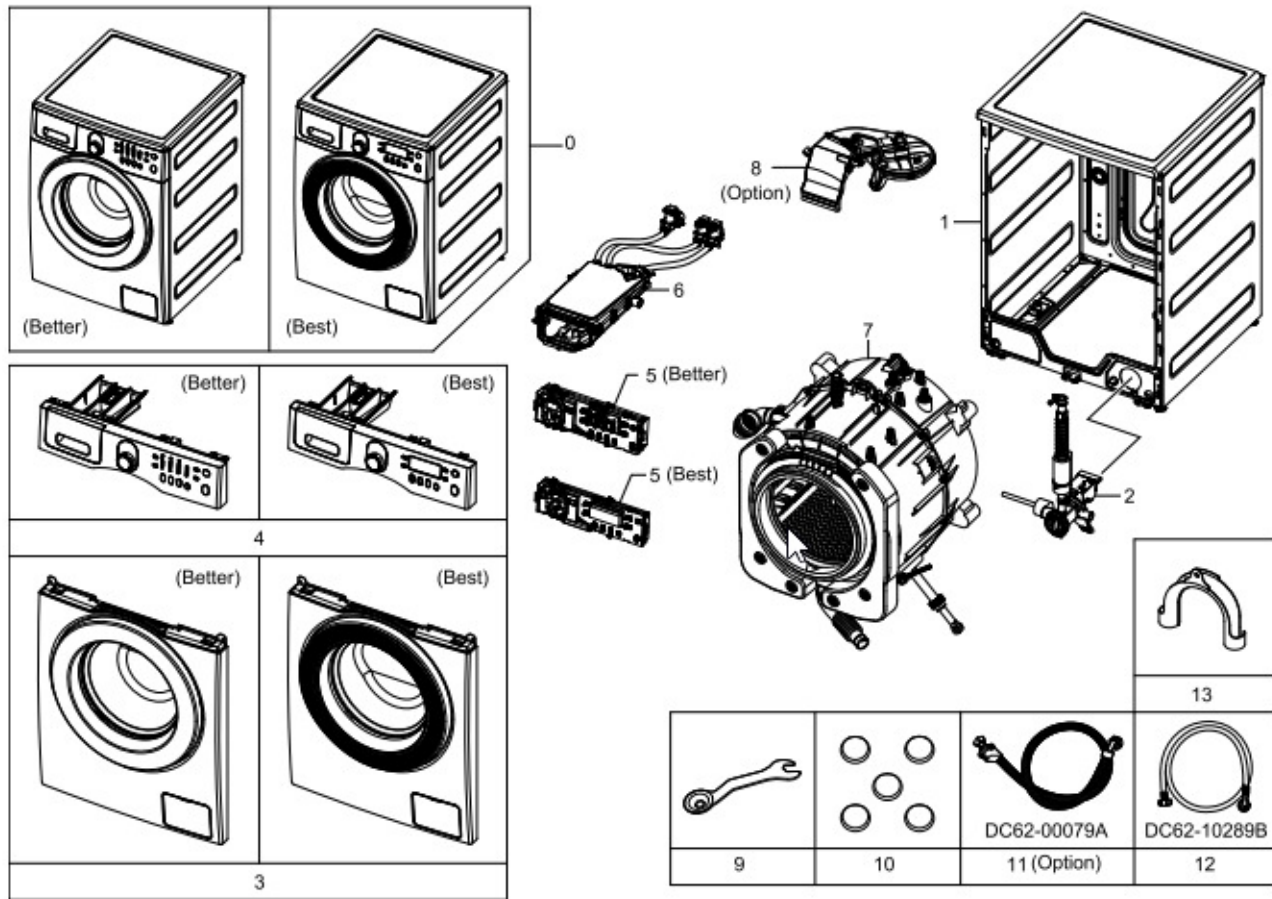
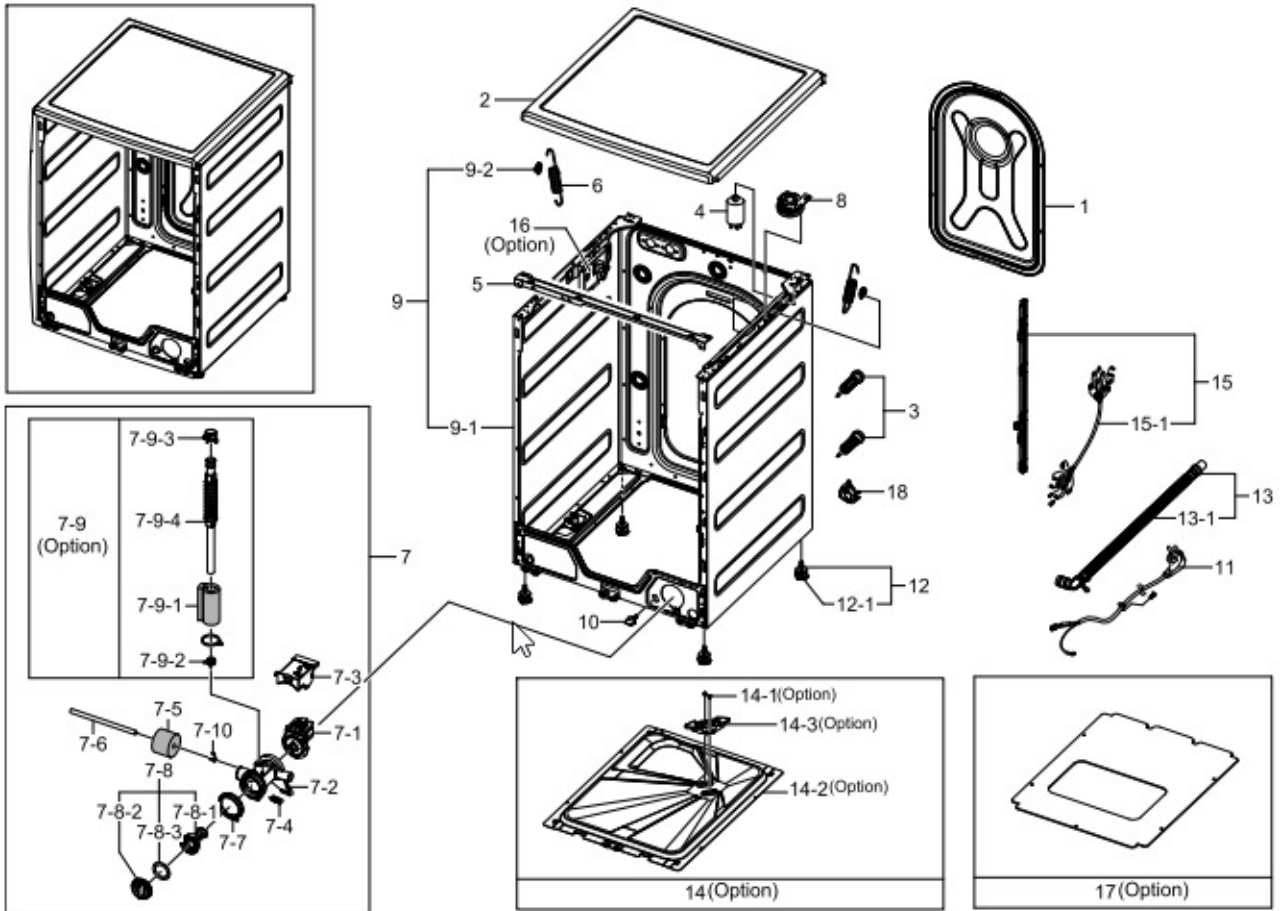


# 1.1. Main

## Exploded View

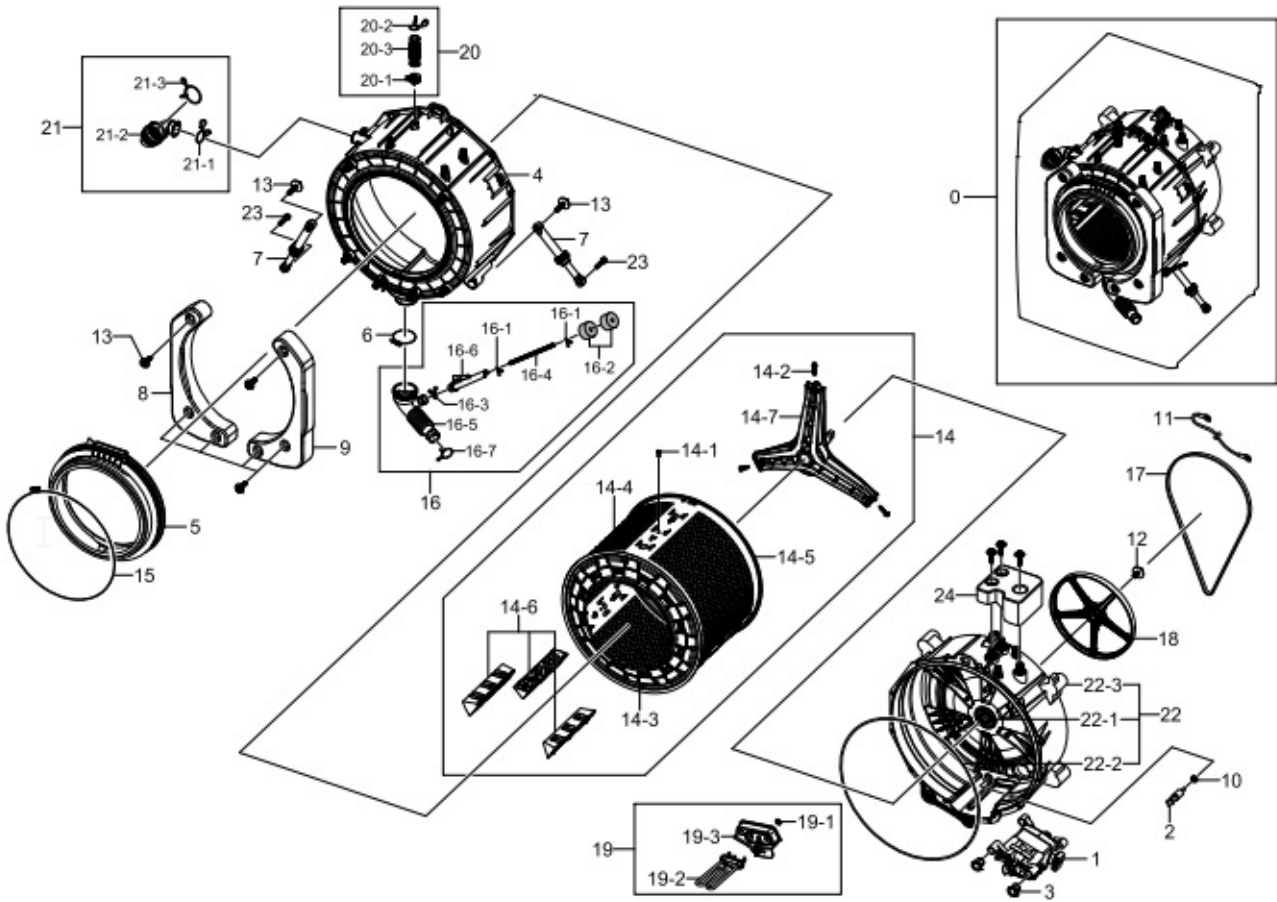


# Exploded View



# 1.3. Assy Tub&Drum

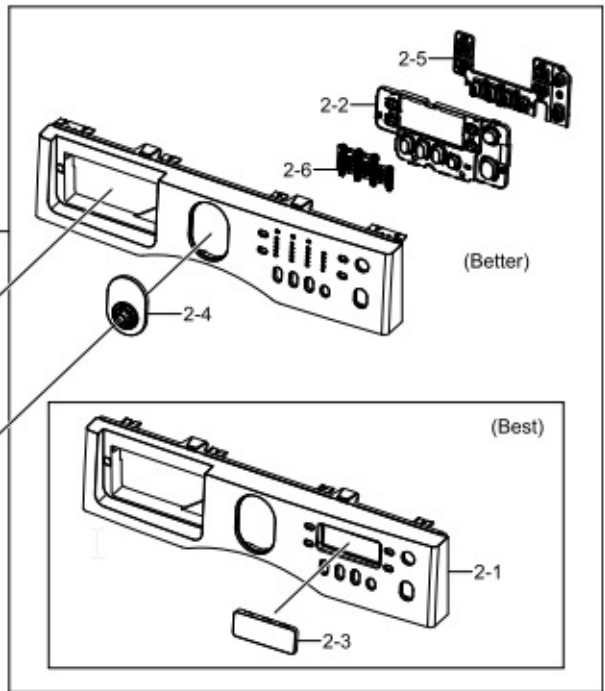
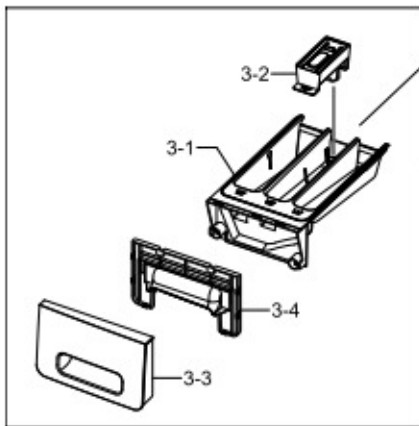
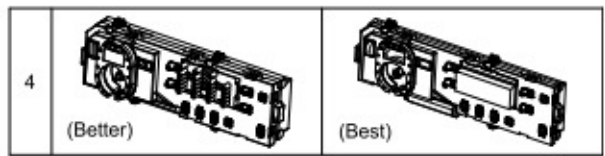
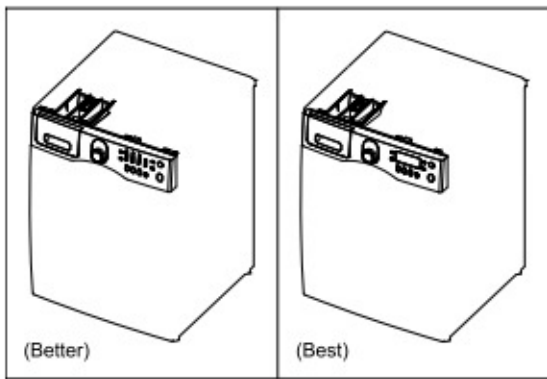
## Exploded View





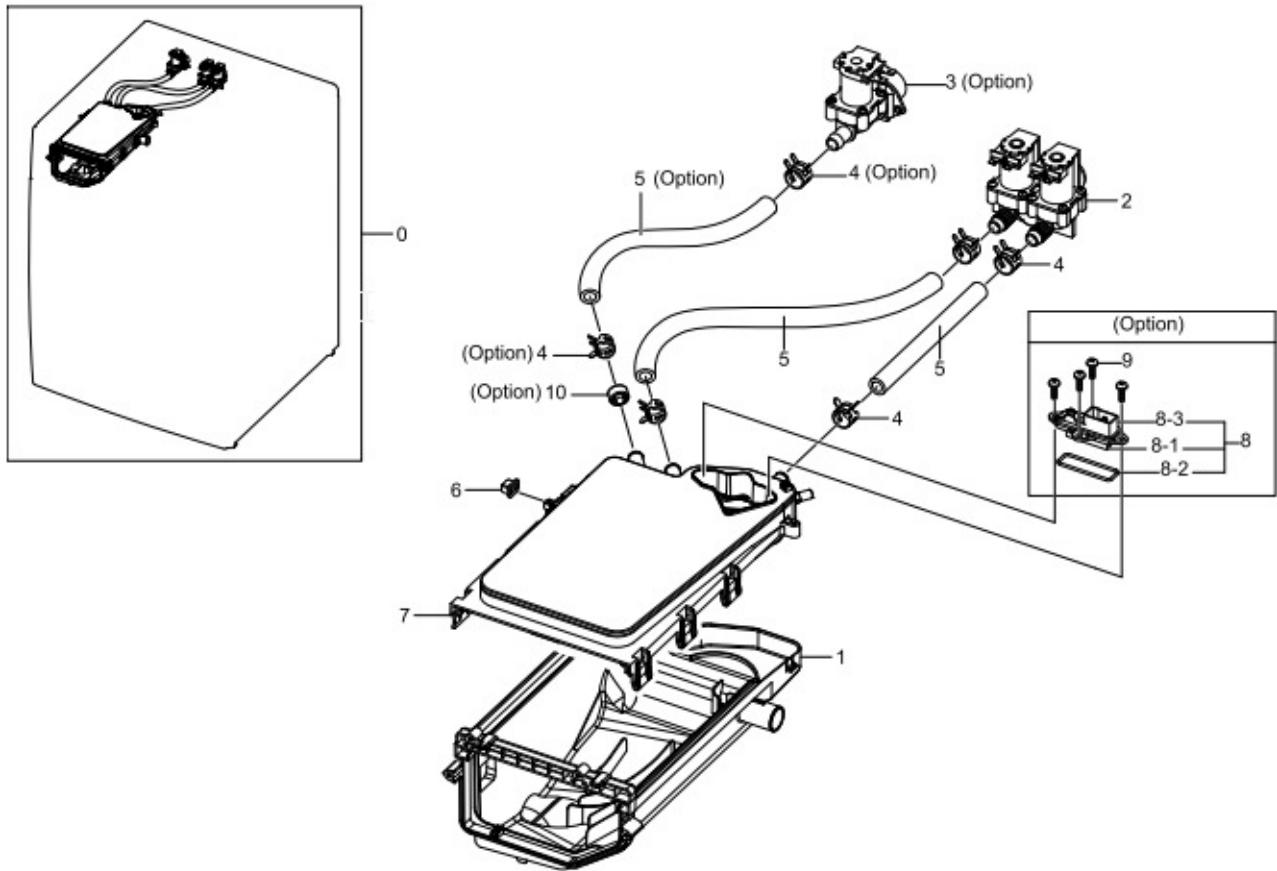
# 1.5. Panel Control&Drawer

## Exploded View



## 1.6. Assy Housing Drawer









### Exploded View



# 1.7. Small Parts

---

## Exploded View

|   |   |   |   |   |   |   |   |
|---|---|---|---|---|---|---|---|
|  |  |  |  |  |  |  |  |
| 1   | 2   | 3   | 4   | 5   | 6   | 7   | 8   |