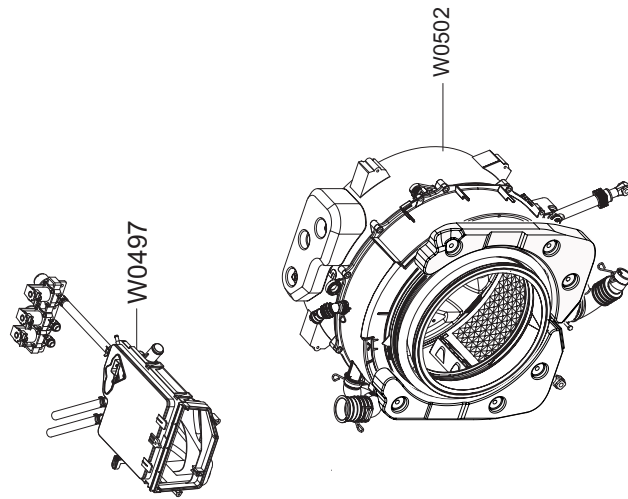
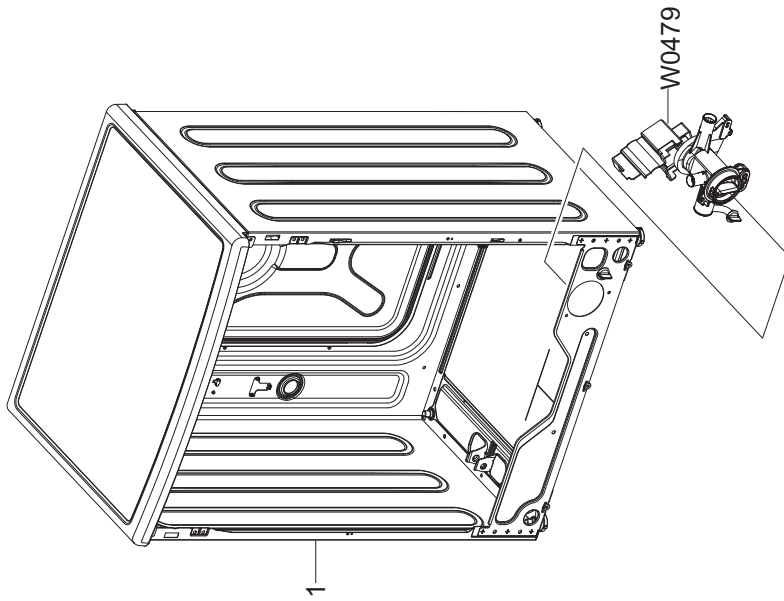





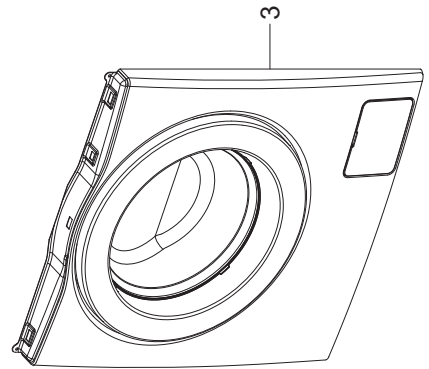
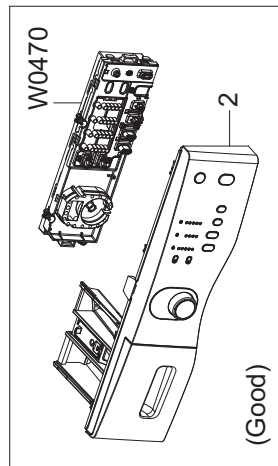
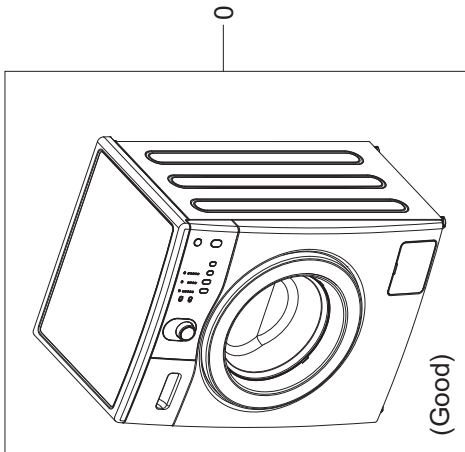


1-1. MAIN



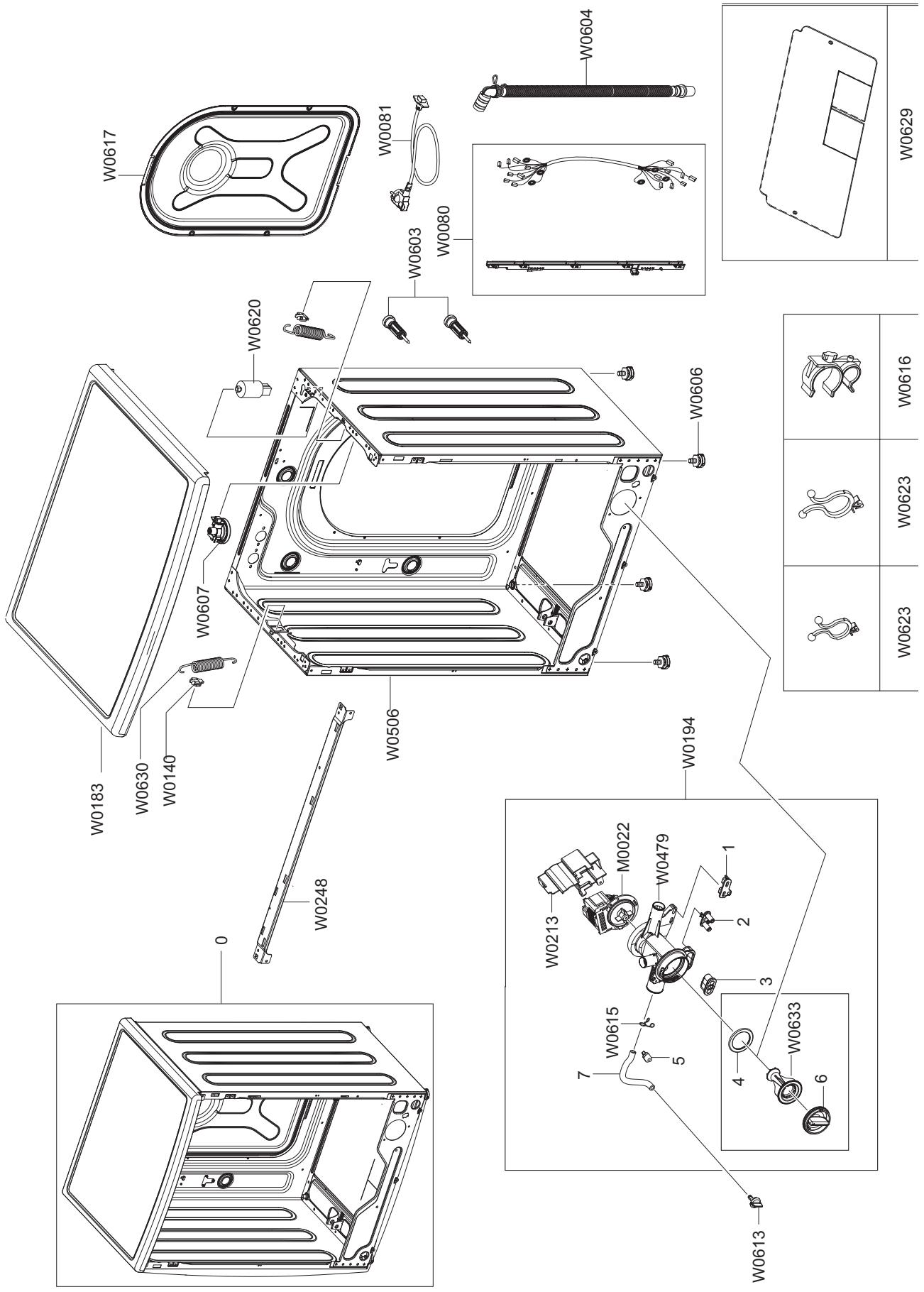
	W0611
	W0614
	W0614
	W0725
	W0626



MODEL CODE: WF8602NGW/XECService Bom (**SA**: SERVICE AVAILABLE, **SNA**: SERVICE NOT AVAILABLE)

SVC Code	Code No.	Description	Specification	QTY	Un	SA/SNA
W0611	DC60-40146A	BOLT-SPANER	-,CR,-,T2.5,OD36,-,-,-,-	1	PC	SA
W0626	DC62-10278A	HOSE-HANGER	PUMP MODEL,PP,BLK,RM60 RESIN	1	PC	SA
W0614	DC67-00208A	CAP-FIXER	J1453GW/XEU,PP,T1.5,NTR	1	PC	SA
W0614	DC67-00251A	CAP-FIXER	SEW-6HR115B,PP,T1.83,W26.8,L34	4	PC	SA
W0470	DC92-00563P	ASSY PCB MAIN	AGCI-08B12NB-00,WF8602NGW/	1	PC	SA
W0725	DC67-00230D	HOSE-WATER	AEGIS-PJT,EPDM,ID4.5,OD8,T1.7	1	PC	SNA
W0479	DC61-02173A	CASE-PUMP	AEGIS,PP,T3.0,W167,L108,WHT,-	1	PC	SA
W0497	DC97-15234A	ASSY S.HOUSING DRAWER	WF8500NHW,NO-AG+/S	1	PC	SNA
W0502	DC90-01100A	ASSY TUB&DRUM	AEGIS-PJT,WF8600NHW/COMMON	1	PC	SNA
1-0	WF8602NGW/XEC	SET	-	1	-	-
1-1	-	FRAME & COVER PARTS	Refer to 2-0 Frame & Cover Parts	1	-	-
1-2	-	PANEL-CONTROL & DRAWER	Refer to 5-0 Control & Drawer	1	-	-
1-3	-	ASSY FRAME FRONT	Refer to 4-0 Assy Frame Front	1	-	-

1-2. FRAME & COVER PARTS

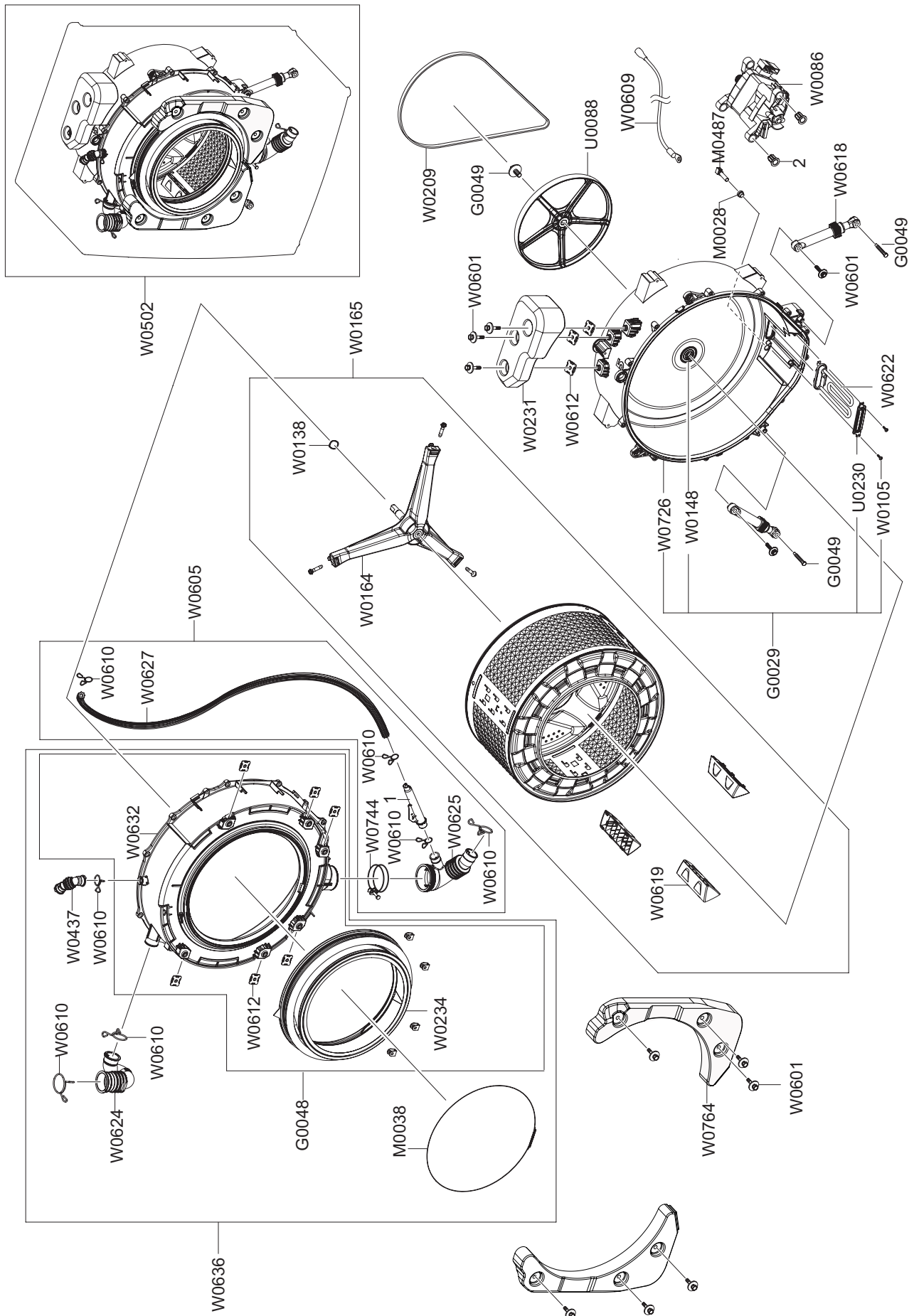


MODEL CODE: WF8602NGW/XEC

Service Bom (SA: SERVICE AVAILABLE, SNA: SERVICE NOT AVAILABLE)

SVC Code	Code No.	Description	Specification	QTY	Un	SA/ SNA
W0603	DC97-14794A	ASSY FIXER TUB	HEBA-PJT/7kg,WF8702LS,-,-	4	PC	SA
W0613	DC61-10673A	CAP-DRAIN	SWF-P12,PP,-,-,-,NTR,-	1	PC	SA
W0617	DC63-00862C	COVER-BACK	WF8600NMW,GI-SGCC,T0.35,W352,	1	PC	SA
W0606	DC97-00920C	ASSY LEG	SEW-HW108,-,-,-,-,-	4	PC	SNA
W0248	DC61-02119A	FRAME-PLATE(U)	WF8600NHW,GI-SGCC,NATURAL	1	PC	SA
W0604	DC97-14291D	ASSY HOSE DRAIN(O)	Aegis-PJT,SSEC,-,L175	1	PC	SA
W0194	DC97-15379E	ASSY PUMP DRAIN	ALL,WF-F1061,220V 50Hz,A	1	PC	SNA
W0479	DC61-02173A	CASE-PUMP	AEGIS,PP,T3.0,W167,L108,WHT,-	1	PC	SA
W0213	DC63-00951A	COVER-PUMP	COVER-PUMP,PP,T2.5,W65,L140,V	1	PC	SA
M0022	DC31-30008D	PUMP-DRAIN	SW-70XP,220/240V,50Hz,SYNCHRO	1	PC	SA
W0183	DC97-15320P	ASSY COVER TOP	AEGIS-PJT,WF8604NHW/XEF,A	1	PC	SA
W0607	DC96-01703A	ASSY SENSOR PRESSURE	AEGIS-PJT,-,-,DRUM	1	PC	SA
W0630	DC61-02146A	SPRING ETC-HANGER	AEGIS-PJT,HSWR,CD3.5,I	2	PC	SA
W0615	DC61-00219B	CLAMPER HOSE	SK5,WLSL1100A,ID24 OD26.4,Z	1	PC	SNA
W0615	DD65-00001F	CLAMPER HOSE	HSWR,D10.5/T1.2	1	PC	SNA
W0081	DC96-00146A	ASSY POWER CORD	UCP2,250V/16A,-,1500/EUR	1	PC	SA
W0080	DC93-00237A	ASSY M.GUIDE WIRE HARNESS	AEGIS-GOOD,WF8	1	PC	SA
W0620	DC29-00009C	FILTER EMI	DFC-2715R,P/PV/P2,250V,15,PI3	1	PC	SA
W0140	DC61-02140A	GUIDE-SPRING	WF8500NMW,POM,T3.5,W24,L40.	2	PC	SNA
W0506	DC97-15138A	ASSY FRAME	-,WF8600NMW,PCM+GI,-,-,-	1	PC	SNA
W0623	DE65-20026A	HODLER-WIRE	PA,NTR,LOCK-TWIST/STAND/Y260	3	PC	SNA
W0623	DC61-40081A	HOLDER-WIRE	DAWH-2NC,PA,NTR(PI19.4)	6	PC	SA
W0616	DC61-00133A	CLAMPER HOSE-FIX	P1291,PP,ID24.5,OD29.5,	2	PC	SA
W0633	DC63-00865B	FILTER-PUMP	AEGIS,PP,NTR	1	PC	SNA
W0629	DC64-01667A	SHUTTER	AEGIS-PJT,PP,T3.0,W440,L200,NATU	1	PC	SA
2-0		FRAME & COVER PARTS	Refer to 2-0 Frame & Cover Parts	1	-	-
2-1	DC63-00956A	CUSHION-PUMP(L)	AEGIS,BUTYL,T2.5,W42,L15	1	PC	SNA
2-2	DC61-02221A	GUIDE-CUSHION	AEGIS,FRPP,W20.3,L40.8,NTR	1	PC	SNA
2-3	DC69-01232A	PACKING-PUMP	AEGIS,EPDM,EPDM,T3,W45,L22,	1	PC	SNA
2-4	DC73-00022A	SEAL-PACKING	SEW-HVR149ATA,EPDM,BLK,40	1	PC	SNA
2-5	DC63-00955A	PACKING-PUMP	AEGIS,EPDM,T4,W26.3,L13.2,H	1	PC	SNA
2-6	DC64-01317A	HANDLE-FILTER	HANDLE-FILTER,PP,T2.5,W55,	1	PC	SNA
2-7	DC67-00244M	HOSE DRAIN	AEGIS,EPDM,ID6,OD10,T2.0,L270	1	PC	SNA

1-3. ASS'Y TUB DRUM



MODEL CODE: WF8602NGW/XEC

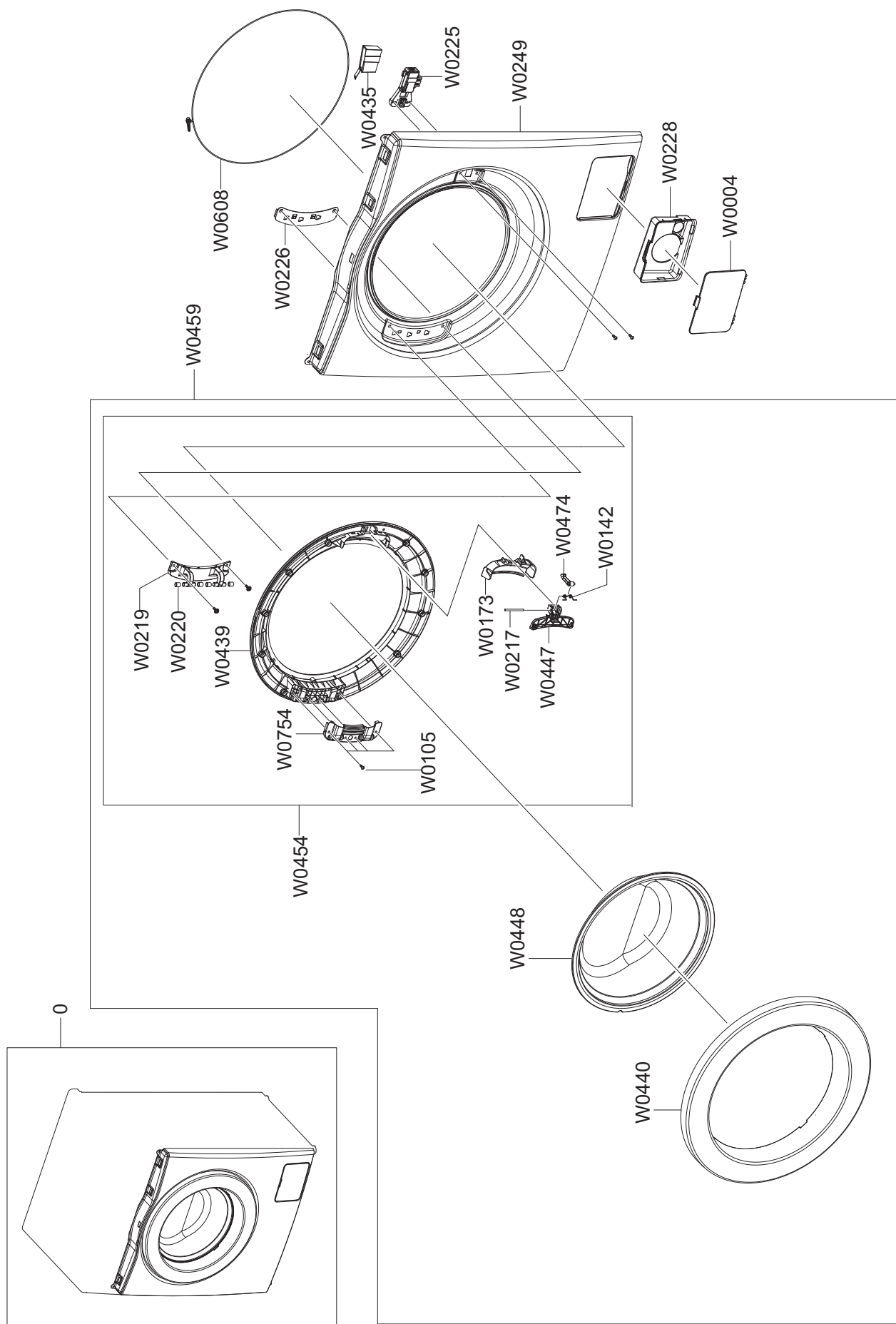
Service Bom (SA: SERVICE AVAILABLE, SNA: SERVICE NOT AVAILABLE)

SVC Code	Code No.	Description	Specification	QTY	Un	SA/SNA
W0725	DC62-10289C	HOSE-WATER	RUSSIA,PVC+NYLON,ID10.3,-,	1	PC	SA
W0437	DC67-00355A	HOSE-AIR	AEGIS-PJT,EPDM,ID19.4,OD25.6,T1	1	PC	SA
W0605	DC97-14637B	ASSY HOSE PRESSURE	AEGIS-PJT,-,-,-,-	1	PC	SA
W0165	DC97-15187A	ASSY DRUM	AEGIS-PJT,6KG/CUBIC,-,1200RPM,	1	PC	SA
W0619	DC66-00523A	DRUM-LIFTER	AEGIS-PJT,PP-TI42,T2.5,L160.	3	PC	SA
W0164	DC97-15184A	ASSY FLANGE SHAFT	AEGIS-PJT,6KG,-,1200RP	1	PC	SA
W0624	DC67-00334A	HOSE-DRAWER TUB	AEGIS-PJT,EPDM,ID35,OD40	1	PC	SA
W0148	DC62-00008A	SEAL-OIL	NBR,BLK,NBU(PI15)	1	PC	SA
W0622	DC47-00006V	HEATER	SU8E6547-V,-,SUS 316L,2000W,8.26~	1	PC	SA
W0230	DC61-02199A	BRACKET-HEATER	AEGIS,STS430,T0.6,-,-,-,-	1	PC	SNA
W0612	DC61-40348B	BRACKET-NUT	P1291,SBHG-R,T3,NO-PAINT	3	PC	SA
G0048	DC97-15413A	ASSY TUB FRONT	AEGIS,WF8600\WF8602,6.0KG	1	PC	SNA
W0234	DC64-01664A	DOOR-DIAPHRAGM	AEGIS-PJT,EPDM,T1.5/T3.0,	1	PC	SA
W0632	DC61-02085A	TUB-FRONT	AEGIS 5kg~6kg,FRPP,OD549,NTR,1	1	PC	SA
W0625	DC67-00335A	HOSE-FILTER TUB	AEGIS-PJT,EPDM,ID64.5,OD	1	PC	SA
G0029	DC97-15236A	ASSY SEMI TUB BACK	6KG 1200RPM,AEGIS-PJT	1	PC	SA
W0726	DC61-02087A	TUB-BACK	AEGIS 6kg,FRPP,OD545.5,NTR,15%F	1	PC	SNA
W0231	DC67-00483A	WEIGHT-BALANCER(U)	AEGIS-PJT,CONCRETE, 15	1	PC	SA
W0609	DC93-00015A	ASSY WIRE EARTH	AEGIS,5KG,230V/50HZ,EART	1	PC	SA
W0209	6602-001497	BELT-TIMING GEAR	-,RUBBER(GATES),T3.4,-,	1	PC	SA
W0618	DC66-00343H	DAMPER-SHOCK	AEGIS-PJT,PP,70N,L197.5,BLK	2	PC	SA
W0088	DC66-00500A	PULLEY-MOTOR	HEBA PJT,ALDC8,-,-,-,OD296.	1	PC	SA
G0049	DC60-40144A	BOLT-HEX	SM10C,L35,ZPC2(YEL),M10,ZPC2(YE	2	PC	SA
G0049	6011-001498	BOLT-HEX	M10,L27,ZPC(YEL),SWRCH10AK,WS/N	1	PC	SA
W0086	DC31-00002S	MOTOR UNIVERSAL-DRUM	HXGK1I,1400,-,220-2	1	PC	SA
W0764	DC67-00538A	WEIGHT-BALANCER(F/L)	AEGIS-PJT,CONCRETE,	1	PC	SA
W0764	DC67-00539A	WEIGHT-BALANCER(F/R)	AEGIS-PJT,CONCRETE,	1	PC	SA
W0601	DC97-02412P	ASSY BOLT	AEGIS-PJT,ALL MODEL(WEIGHT-BAL	9	PC	SA
W0601	DC97-14263A	ASSY BOLT	HEBA-PJT,MOTOR/BOLT(M8)+WASHER	4	PC	SA
W0610	DC72-00001H	CLIP-RING	HEBA-PJT,HSWR,PI3.0,ID35,WHT,H	1	PC	SNA
W0610	DC65-60125B	CLIP-RING	HSWR,T2.4,PI25,YEL	2	PC	SNA
W0610	DC65-60118R	CLIP-RING	AEGIS-PJT,HSWR,T3.0,ID37,WHT	1	PC	SA
W0610	DC72-00001G	CLIP-RING	HEBA-PJT,HSWR,T2.4,ID49.5,W21.	1	PC	SNA
M0005	DC61-70029C	SPRING-CLIP	SEW-HW125,HSWR,CD1.2,ID8.3,O	2	PC	SNA
W0744	DC65-00021A	CLAMPER HOSE-JOINT	HEBA PJT,HSWR,-,ID74/	1	PC	SNA
W0502	DC90-01100A	ASSY TUB&DRUM	AEGIS-PJT,WF8600NHW/COMMON	1	PC	SNA

MODEL CODE: WF8602NGW/XECService Bom (**SA**: SERVICE AVAILABLE, **SNA**: SERVICE NOT AVAILABLE)

SVC Code	Code No.	Description	Specification	QTY	Un	SA/ SNA
M0038	DC91-12077G	ASSY CLAMP DIAPHRAGM	AEGIS,WF8500NHW/YLP	1	PC	SA
W0636	DC97-15414A	ASSY SEMI TUB FRONT	AEGIS,WF8600\WF8602,	1	PC	SA
W0138	6031-001632	WASHER-WAVE	SK5(SCP1),H2,ID30,OD33.8,T0.	1	PC	SNA
M0028	DC69-00824A	PACKING-THERMISTOR	GW-PJT,EPDM,EPDM,-,W1	1	PC	SNA
M0487	DC32-00010B	THERMISTOR	NTSF0123XZ004,R=3.243KΩ±2%(at	1	PC	SA
3-1	DC67-00297A	HOSE-JOINT AIR	HEBA&Aegis-PJT,PP,ID22,OD	1	PC	SNA
3-2	DC61-01097A	BUSH-MOTOR	PA,NTR,PA66(2110R)	2	PC	SNA

1-4. ASS'Y FRAME FRONT

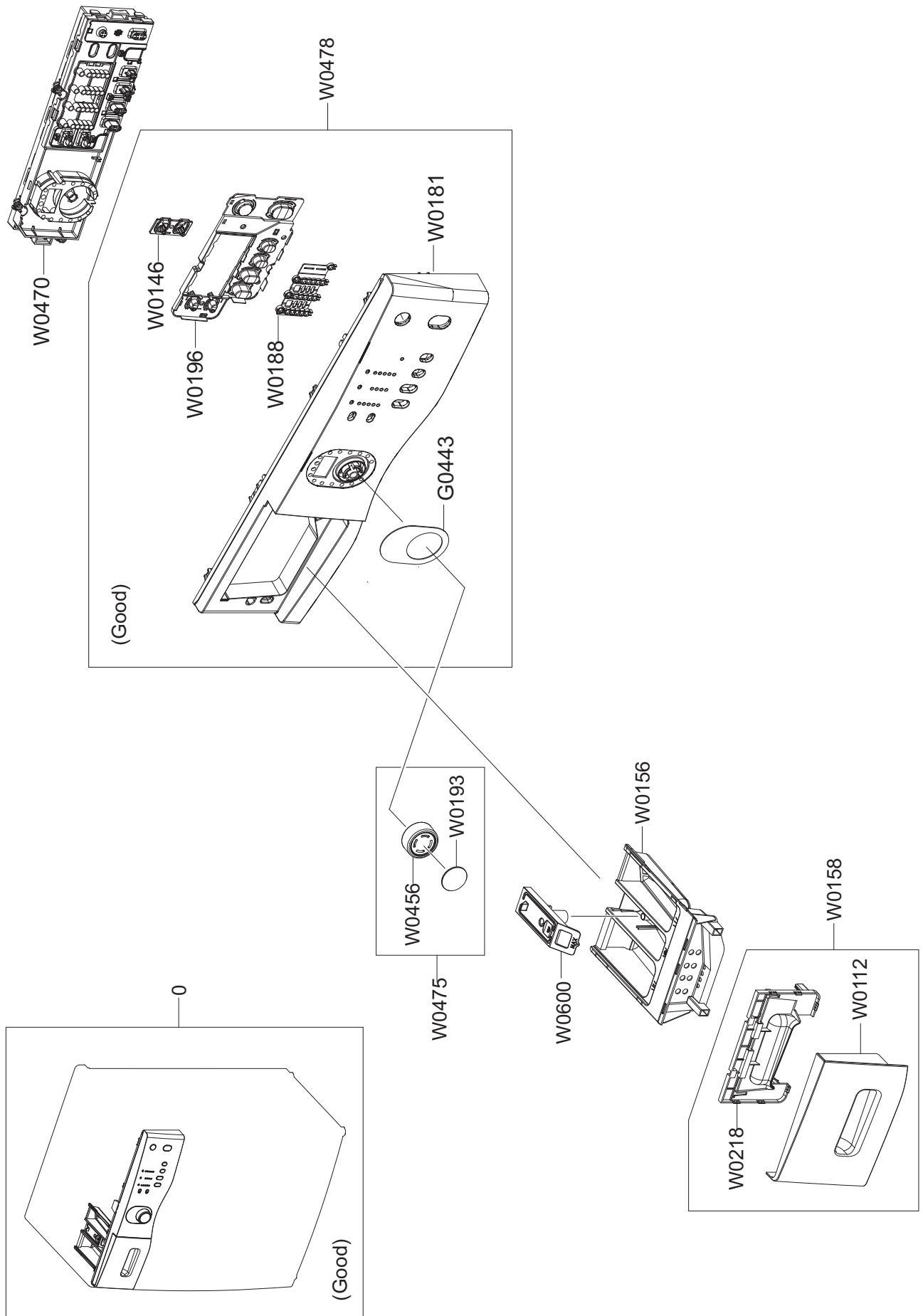


MODEL CODE: WF8602NGW/XEC

Service Bom (SA: SERVICE AVAILABLE, SNA: SERVICE NOT AVAILABLE)

SVC Code	Code No.	Description	Specification	QTY	Un	SA/ SNA
W0516	DC63-00920G	COVER-FILTER	AEGIS ROUND,HIPS,T2.0,W150.	1	PC	SA
W0228	DC61-02090B	GUIDE-FILTER	WF8500NHW,PP,T2.5,W149.3,L1	1	PC	SA
W0225	DC64-01538A	DOOR-LOCK S/W	ZV-446L5,PA66,T19.5,W95,BL	1	PC	SA
W0459	DC97-15194H	ASSY DOOR	AEGIS-2,WF9592FRW,WHT(1PC)	1	PC	SNA
W0454	DC97-15192H	ASSY HOLDER GLASS	AEGIS,WF8500NHW,PP,3,4	1	PC	SA
W0226	DC61-02184A	BRACKET-HINGE	WF8500NHW,GI,T1.4,-,-,-,AE	1	PC	SA
W0754	DC61-02100A	BRACKET-HOLDER	WF8500NHW,GI,T1.4,-,-,-,A	1	PC	SNA
W0448	DC64-01790A	DOOR-GLASS	AEGIS,NON-HeatTreatment GLASS	1	PC	SA
W0220	DC61-00891A	GUIDE-HINGE	HAUZEN(DOM),POM,-,-,-,WHT,HI	2	PC	SA
W0447	DC64-01948A	HANDLE-DOOR	WF9604SQR/XSC,POM,T2.0,L107,	1	PC	SA
W0217	DC64-00564A	HANDLE-PIN	Q1636GW/XEU,STS,-,-,-,-,TS-	1	PC	SA
W0440	DC63-00923K	COVER-DOOR	AEGIS,HIPS,T2.5,OD460,DA WHIT	1	PC	SA
W0435	DC63-00967A	COVER-DOOR SWITCH	AEGIS-PJT/ WF8500NHW,P	1	PC	SA
W0249	DC61-02785A	FRAME-FRONT	AEGIS-PJT,EGI-SECC,WHITE,T0.	1	PC	SA
W0608	DC91-12078E	ASSY WIRE DIAPHRAGM	AEGIS,WF8500NHW/YLP,	1	PC	SA
W0105	6002-000471	SCREW-TAPPING	TH,+,-,1,M4,L12,PASS,STS30	2	PC	SNA
W0105	6002-000445	SCREW-TAPPING	TH,+ ,2,M4,L18,PASS,STS304	4	PC	SNA
W0219	DC61-02099A	HINGE-DOOR	WF8500NHW,ALDC,T8.0,L155,AEGI	1	PC	SA
W0142	DC61-02098B	SPRING ETC-LEVER	WF8500NHW,STAINLESS-STS	1	PC	SA
W0439	DC61-02097A	HOLDER-GLASS	WF8500NHW,PP,T3.0,OD459.5,-	1	PC	SNA
W0173	DC63-00924C	COVER-HANDLE	WF8500NHW,HIPS,T2.2,L115,WH	1	PC	SNA
W0474	DC66-00642A	LEVER-DOOR	AEGIS PJT,ZNDC,T5.0,W20,L48.2	1	PC	SNA
4-0	DC97-15693C	ASSY FRAME FRONT	Refer to 4-0 Assy Frame Front	1	-	-

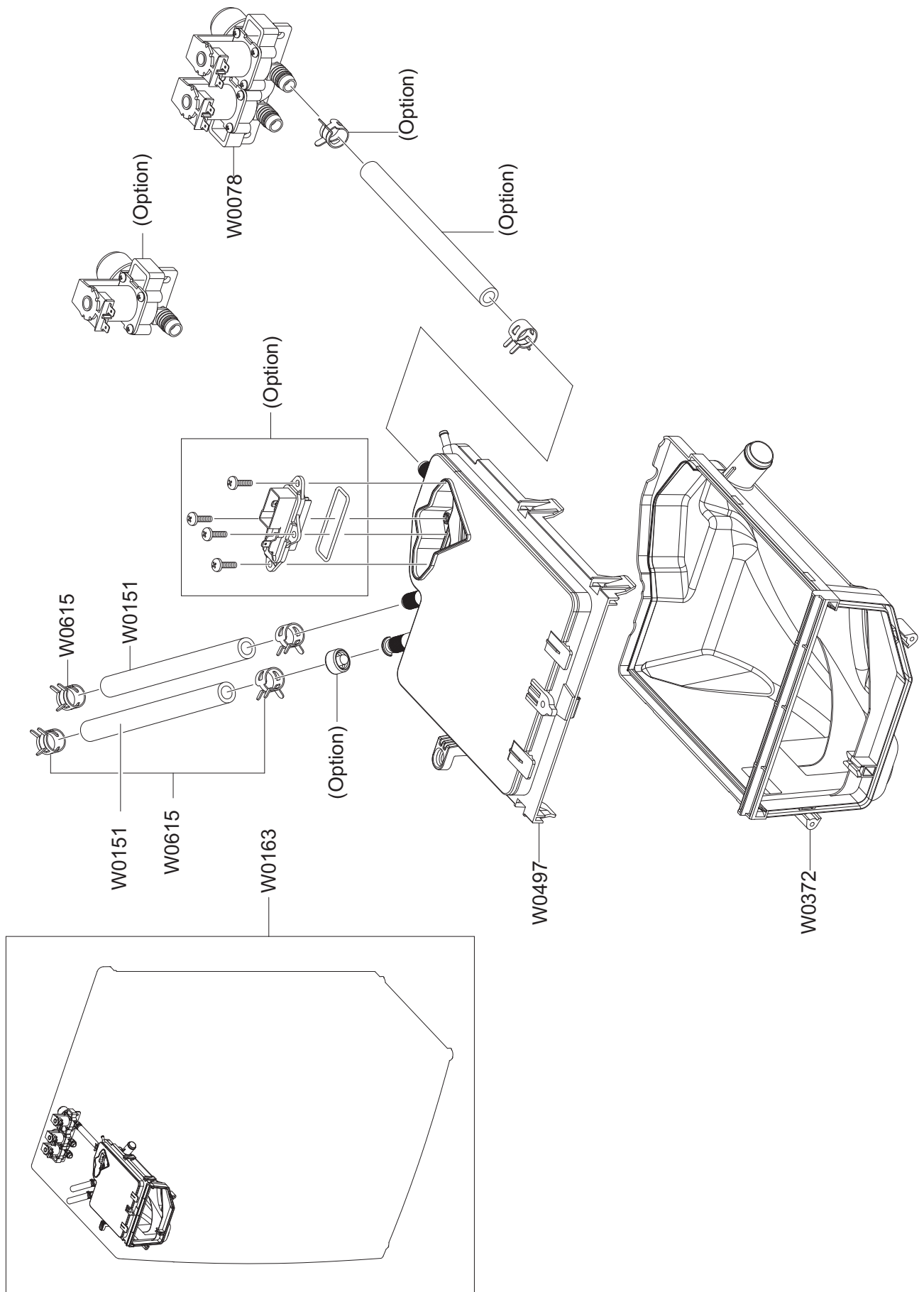
1-5. PANEL-CONTROL & DRAWER



MODEL CODE: WF8602NGW/XECService Bom (**SA**: SERVICE AVAILABLE, **SNA**: SERVICE NOT AVAILABLE)

SVC Code	Code No.	Description	Specification	QTY	Un	SA/SNA
W0478	DC97-15647A	ASSY PANEL CONTROL	AEGIS-GOOD,WF8602NGW/	1	PC	SA
W0470	DC92-00563P	ASSY PCB MAIN	AGCI-08B12NB-00,WF8602NGW/	1	PC	SA
W0158	DC97-15169C	ASSY PANEL DRAWER	AEGIS-PJT,GOOD,GOOD WH	1	PC	SA
W0600	DC61-02106A	STOPPER-DRAWER	WF8500NHW,PP(TB53),T2.0,E	1	PC	SA
W0196	DC64-01694A	BUTTON-PUSH(F)	AEGIS-PJT/GOOD,ABS,-,-,DA	1	PC	SNA
W0112	DC64-01673A	PANEL-DRAWER	AEGIS-PJT,ABS,T2.5,DA WHITE	1	PC	SNA
W0218	DC64-01674A	HANDLE-DRAWER	AEGIS-PJT,ABS,T2.5,-,-,D	1	PC	SNA
W0181	DC64-01693A	PANEL-CONTROL	AEGIS-PJT,ABS,T2.5,-,-,D	1	PC	SNA
G0443	DC64-01686F	WINDOW-ENCODER	AEGIS-GOOD,PC,T1.0,W65.0,	1	PC	SNA
W0456	DC64-01689A	DECORATION-ENCODER	AEGIS-PJT,ABS,T2.6,DA	1	PC	SNA
W0193	DC64-01688A	KNOB-ENCODER	AEGIS-PJT,ABS,T2.0,BLACK,BE	1	PC	SNA
W0475	DC97-15310A	ASSY KNOB ENCODER	AEGIS,GOOD,DA-WHT-DECO	1	PC	SA
W0188	DC64-01696A	DECORATION-LED	AEGIS-PJT,ABS,T1.2,-,-,-,	1	PC	SNA
W0146	DC64-01846A	BUTTON-LED	AEGIS,ABS,-,-,CLEAR,-	1	PC	SNA
5-0		PANEL-CONTROL& DRAWER	Refer to 5-0 Control & Drawer	1	-	-

1-6. ASS'Y HOUSING DRAWER



MODEL CODE: WF8602NGW/XECService Bom (**SA**: SERVICE AVAILABLE, **SNA**: SERVICE NOT AVAILABLE)

SVC Code	Code No.	Description	Specification	QTY	Un	SA/SNA
W0163	DC97-15204B	ASSY HOUSING DRAWER	AEGIS,WF8602NHW/6.0k	1	PC	SA
W0156	DC61-02107A	BODY-DRAWER	WF8500NHW,PP,T2.0,-,-,-,-,AE	1	PC	SA
W0151	DC67-00051B	HOSE-DRAWER	Q1636GW/XEU,EPDM,ID9.0,OD14.	0.49	M	SNA
W0615	DC65-00008A	CLAMPER HOSE	SEW-DR605,SK5,-,-,YEL,ID14.	4	PC	SA
W0078	DC62-00024F	VALVE-WATER	B1215J,NYLON66/250TRMN,NTR,2	1	PC	SA
W0497	DC97-15234A	ASSY S.HOUSING DRAWER	WF8500NHW,NO-AG+/S	1	PC	SNA
W0372	DC61-02105A	HOUSING-DRAWER(L)	WF8500NHW,PP(TB53),T1.	1	PC	SNA

1-7. PARTS LIST (OTHERS PARTS)

MODEL CODE: WF8602NGW/XEC

Service Bom (**SA**: SERVICE AVAILABLE, **SNA**: SERVICE NOT AVAILABLE)

SVC Code	Code No.	Description	Specification	QTY	Un	SA/SNA
W0110	DC60-60044B	WASHER-PLAIN	-,SBC,ID8.4/OD30,T2.0,-,-,-	4	PC	SA
W0514	DC97-15789A	ASSY CASE FILTER	AEGIS,WASHER,2 hole,use	1	PC	SA
G0049	DC60-40137A	BOLT-HEX	MARS-PJT,STS430,M8,P1.25,L30,HE	3	PC	SA
W0740	DC62-40183B	PACKING-TUB	WF8500NHW,EPDM,T7.8,BLK,40.4	1	PC	SA
W0085	6001-001773	SCREW-MACHINE	TH,+,-,M5,L12,PASS,STS430,	2	PC	SA
W0628	3501-001268	RELAY-POWER	12V,0.9W,25000mA,1FormA,20ms	2	PC	SA
W0254	DC99-01034A	ASSY PAINT FRAME	-,WF8600NHW,PCM GI,-,-,	1	PC	SA
W0621	DC61-02120A	FRAME-PLATE(L)	WF8500NMW,GI-SGCC,NATURAL	1	PC	SA

1-8. SCREW LIST

MODEL CODE: WF8602NGW/XEC

Service Bom (SA: SERVICE AVAILABLE, SNA: SERVICE NOT AVAILABLE)

SVC Code	Code No.	Description	Design location	Specification	QTY	Un
W0105	6002-000445	SCREW-TAPPING	C/PANEL+H/DRAWER	TH,+2,M4,L18,PASS,STS304	2	PC
W0105	6002-000445	SCREW-TAPPING	PUMP-CASE+F/ PLATE(L)	TH,+2,M4,L18,PASS,STS304	2	PC
W0105	6002-000520	SCREW-TAPPING	FRAME	TH,+,-,2,M4,L12,ZPC(WHT),SWRCH18A,-	1	PC
W0105	6002-001327	SCREW-TAPPING	C/TOP+FRAME	PWH,+1,M4,L12,ZPC(WHT),SWRCH18A	2	PC
W0105	6006-001174	SCREW-TAPPING	C/PANEL+F/PLATE(U)	TH,+WE,2S,M4,L12,ZPC(WHT),SWRCH18A	2	PC
W0105	6006-001174	SCREW-TAPPING	H/DRAWER+F/PLATE(U)	TH,+WE,2S,M4,L12,ZPC(WHT),SWRCH18A	3	PC
W0105	6006-001174	SCREW-TAPPING	W/VALVE+FRAME	TH,+WE,2S,M4,L12,ZPC(WHT),SWRCH18A	2	PC
W0102	6009-001343	SCREW-SPECIAL	P/CODE+FRAME	PH,TORX,M4,L10,ZPC(WHT),SWRCH18A,1,2 BODY	1	PC
W0105	6002-001436	SCREW-TAPPING	COVER-PUMP	PH,+2,M4,L18,ZPC(WHT),SWRCH18A	1	PC
W0105	6002-001436	SCREW-TAPPING	PUMP-DRAIN+CASE- PUMP	PH,+2,M4,L18,ZPC(WHT),SWRCH18A	3	PC
W0105	6002-000520	SCREW-TAPPING	COVERHEATER+TUB/ BACK	TH,+,-,2,M4,L12,ZPC(WHT),SWRCH18A,-	1	PC
W0105	6002-000520	SCREW-TAPPING	TUB(F)+H/JOINT AIR	TH,+,-,2,M4,L12,ZPC(WHT),SWRCH18A,-	1	PC
G0425	6009-001367	SCREW-HEX	T/FRONT+T/BACK	HWH,+,- ,M6.5,L32,ZPC(WHT),SWRCH18A,2,-	14	PC
W0105	6002-001006	SCREW-TAPPING	BRACKET HEATER	TH,+,-,2S,M4,L12,PASS,STS430,-	2	PC
F0056	6003-001768	SCREW-TAPTYPE	H/BEARING+E/WIRE	TH,+WT,S,M4,L10,ZPC(WHT),SWRCH18A	1	PC
W0085	6001-001773	SCREW-MACHINE	HINGE+F/FRONT	TH,+,-,M5,L12,PASS,STS430,-,SEAL-LOCK	2	PC
W0105	6002-000471	SCREW-TAPPING	F/FRONT+D/LOCK S/W	TH,+,-,1,M4,L12,PASS,STS304,-	2	PC
W0105	6002-000520	SCREW-TAPPING	C/PANEL+G/PCB	TH,+,-,2,M4,L12,ZPC(WHT),SWRCH18A,-	4	PC
G0010	6003-000269	SCREW-TAPTYPE	GUIDE-SCREW	BH,+,-,S,M3,L6,ZPC(WHT),SWRCH18A,-	2	PC
	6002-000440	SCREW-TAPPING	HEATSINK SCREW	PWH,+2,M3,L8,ZPC(BLK),SWRCH18A	2	PC
W0105	6002-000471	SCREW-TAPPING	C/DOOR+H/GLASS	TH,+,-,1,M4,L12,PASS,STS304,-	10	PC
W0105	6002-001436	SCREW-TAPPING	B/HOLDER+H/GLASS	PH,+2,M4,L18,ZPC(WHT),SWRCH18A	3	PC
W0105	6002-000520	SCREW-TAPPING	FRAME+COVER-BACK	TH,+,-,2,M4,L12,ZPC(WHT),SWRCH18A,-	4	PC
F0056	6003-001768	SCREW-TAPTYPE	FRAME+E/W	TH,+WT,S,M4,L10,ZPC(WHT),SWRCH18A	3	PC
W0105	6006-001174	SCREW-TAPPING	FRAME+F/PLATE(U)	TH,+WE,2S,M4,L12,ZPC(WHT),SWRCH18A	4	PC
W0105	6006-001174	SCREW-TAPPING	FRAME+FRAME-FRONT	TH,+WE,2S,M4,L12,ZPC(WHT),SWRCH18A	3	PC
W0105	6002-001327	SCREW-TAPPING	SHUTTER+FRAME	PWH,+1,M4,L12,ZPC(WHT),SWRCH18A	2	PC
W0105	6006-001174	SCREW-TAPPING	FRAME+G-FRAME FRONT	TH,+WE,2S,M4,L12,ZPC(WHT),SWRCH18A	2	PC
W0105	DE60-10080A	SCREW-TAPPING	FRAME+FRAME-FRONT	PWH,+,-,2S,M5,L9,-,SWRCH18A,-	2	PC