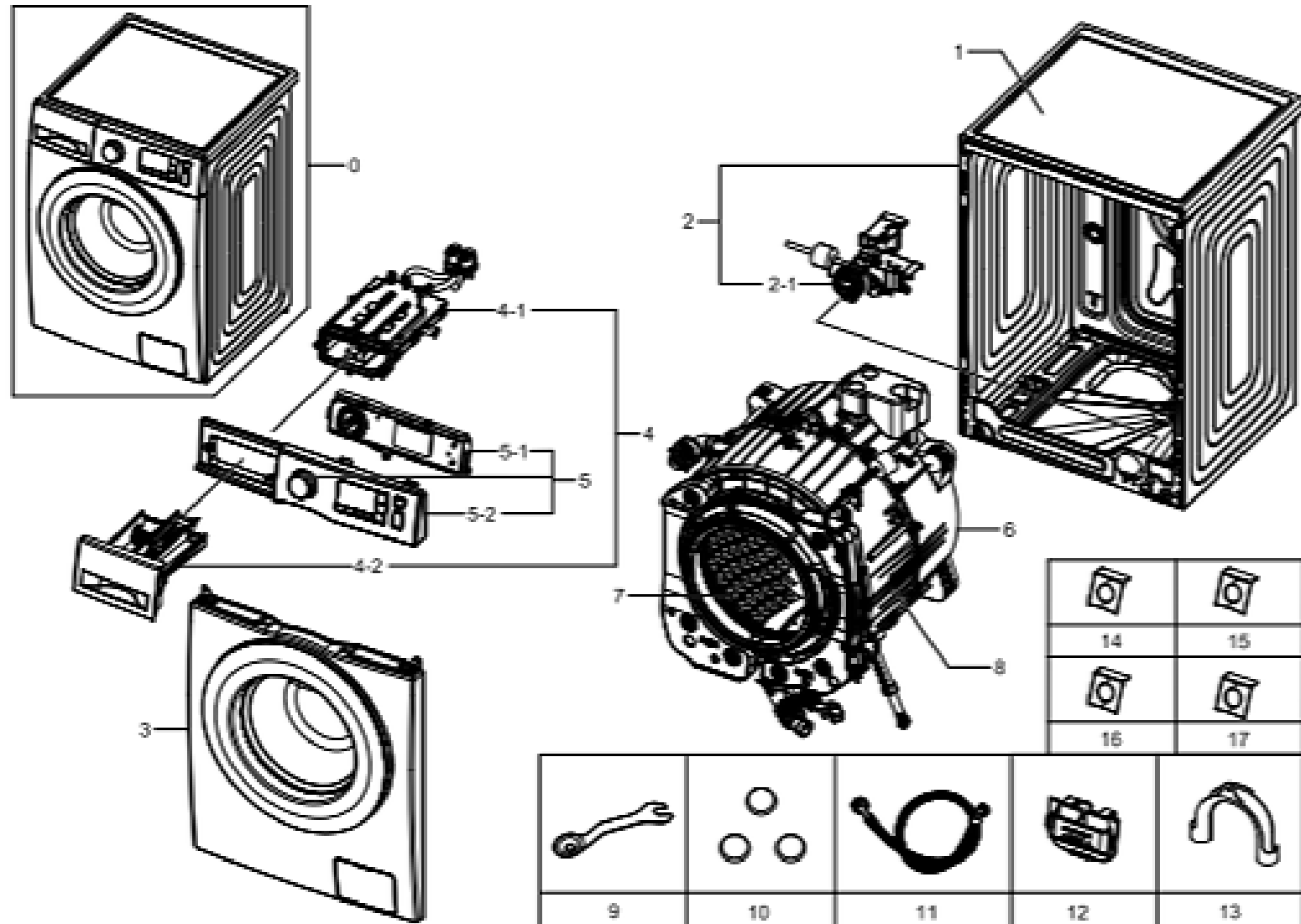


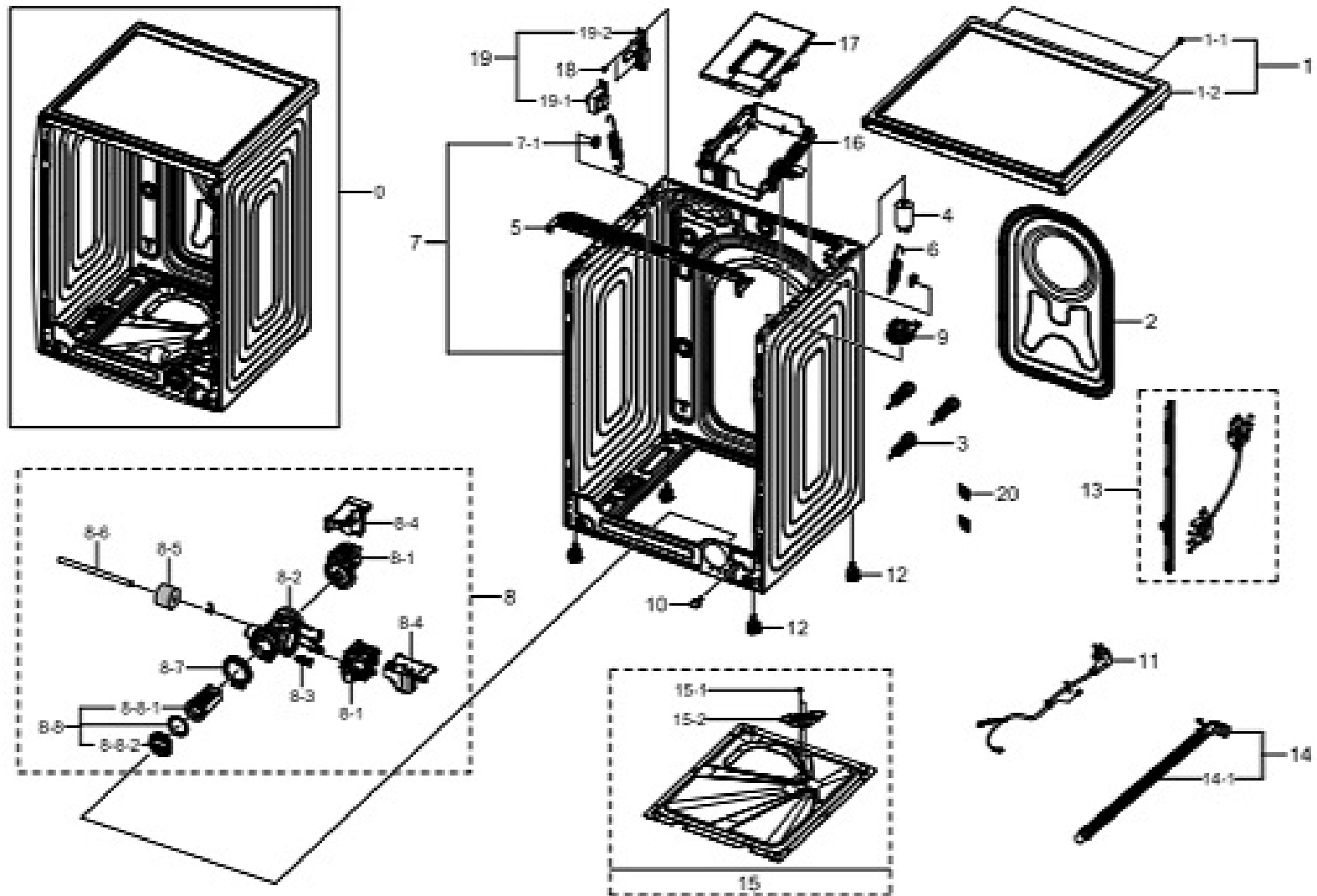
1. Main

Exploded View



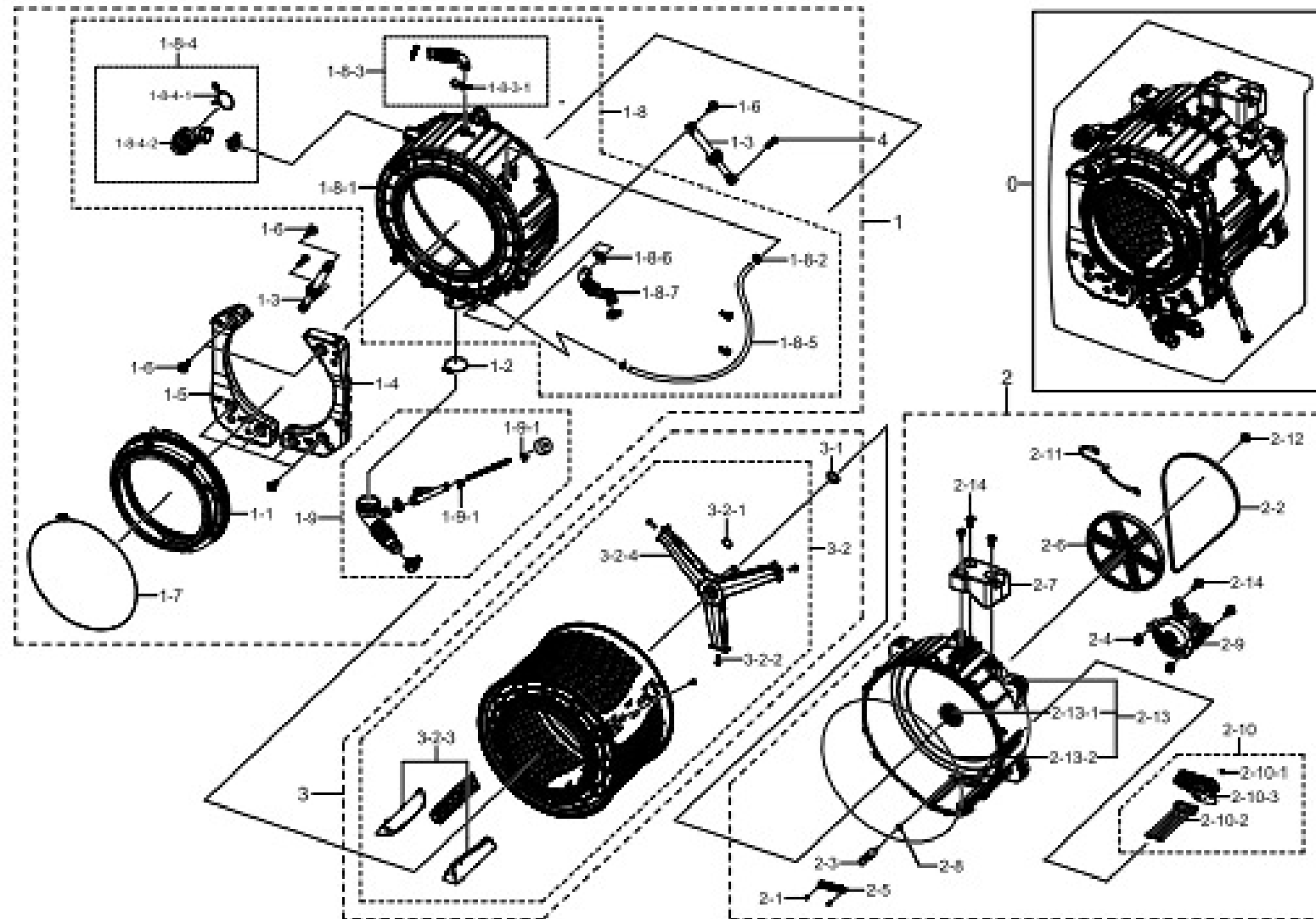
2. Assy Frame&Cover Parts

Exploded View



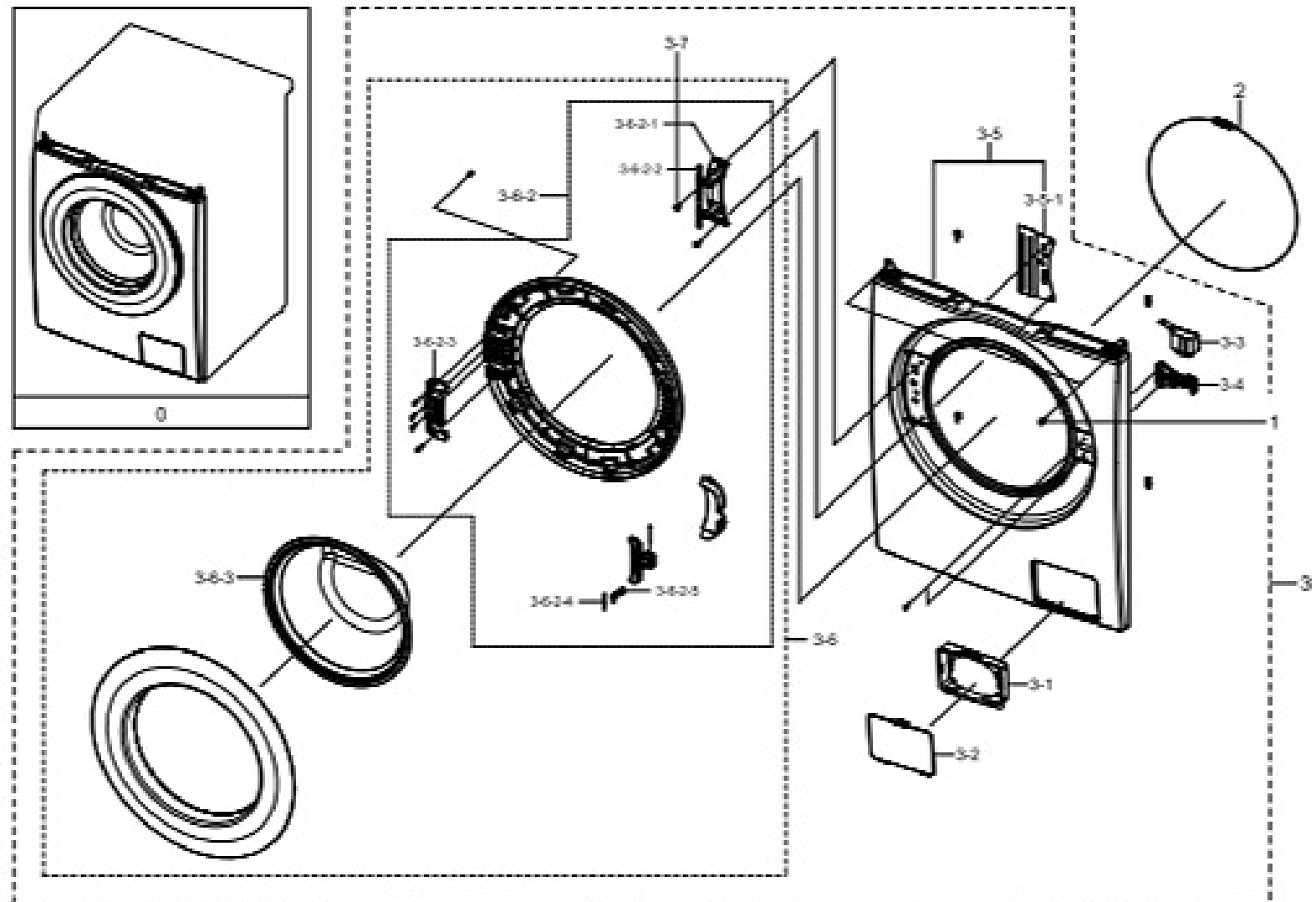
3. Assy Tub&Drum

Exploded View



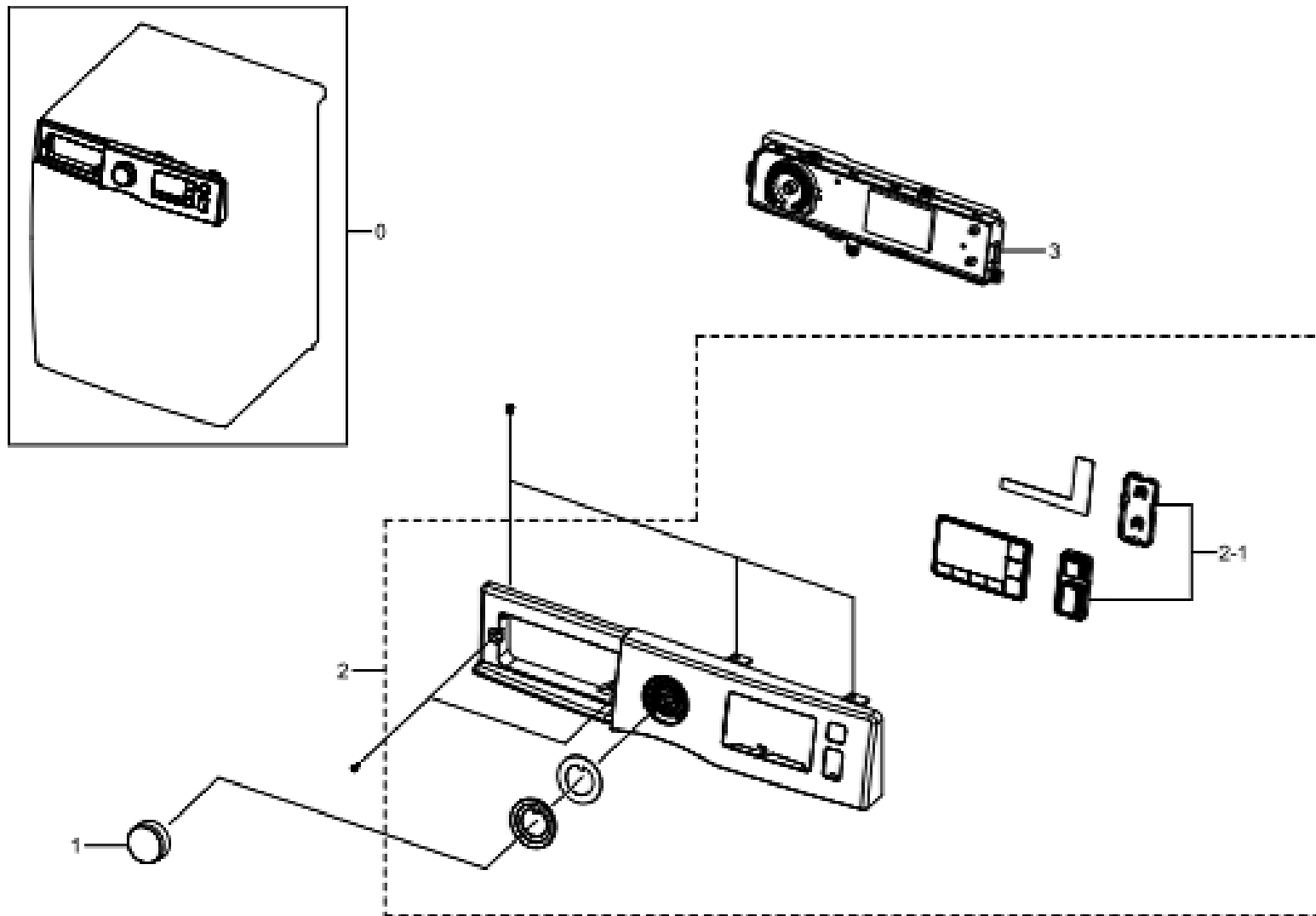
4. Assy Front

Exploded View



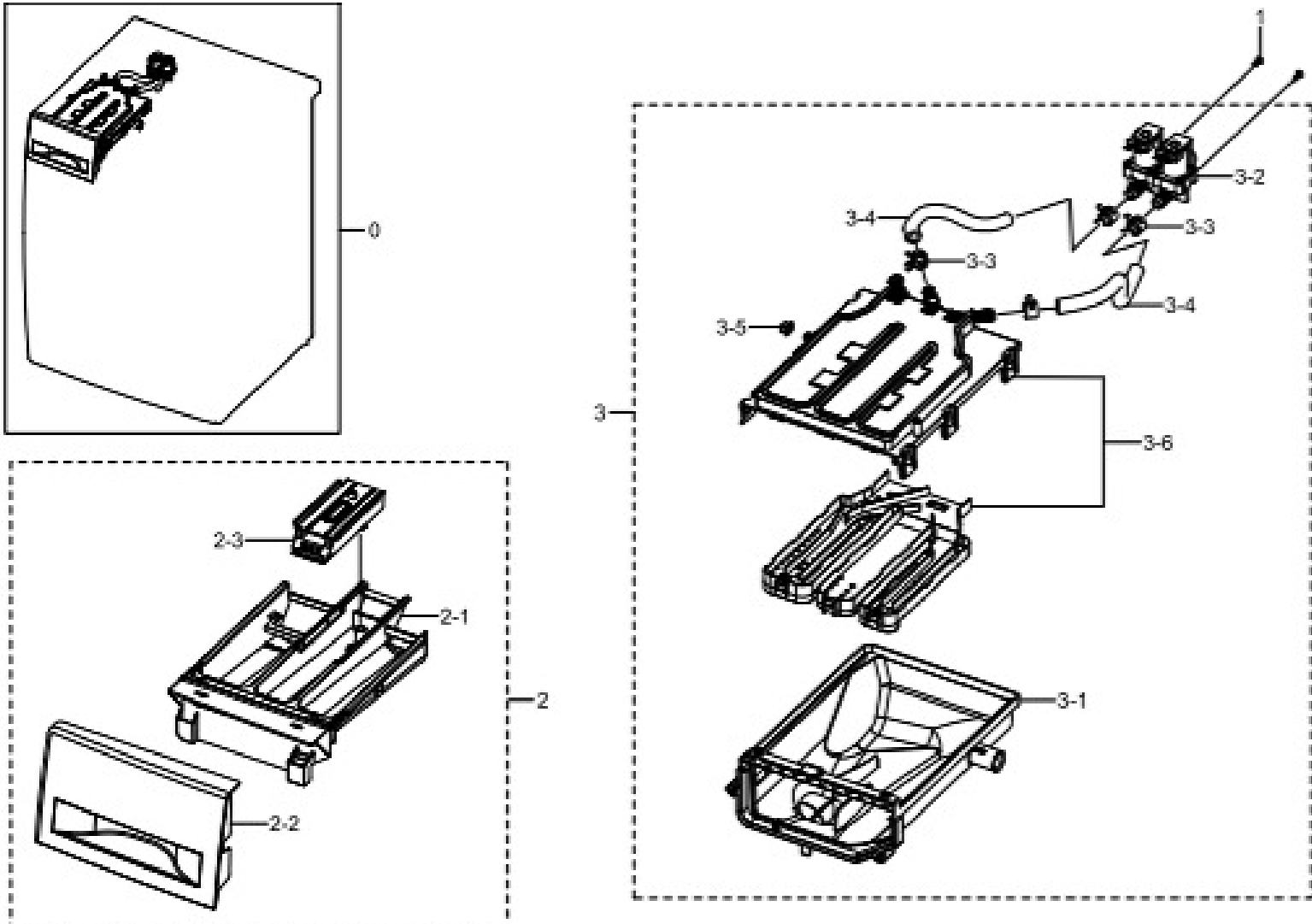
5. Assy Panel Control

Exploded View











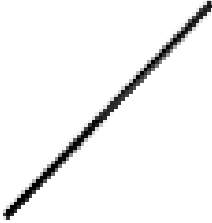
6. Assy Drawer

Exploded View



7. Small Parts

Exploded View

| | | | | |
|---|---|---|---|---|
|  |  |  |  |  |
| 1 | 2 | 3 | 4 | 5 |
|  |  |  |  | |
| 6 | 7 | 8 | 9 | |