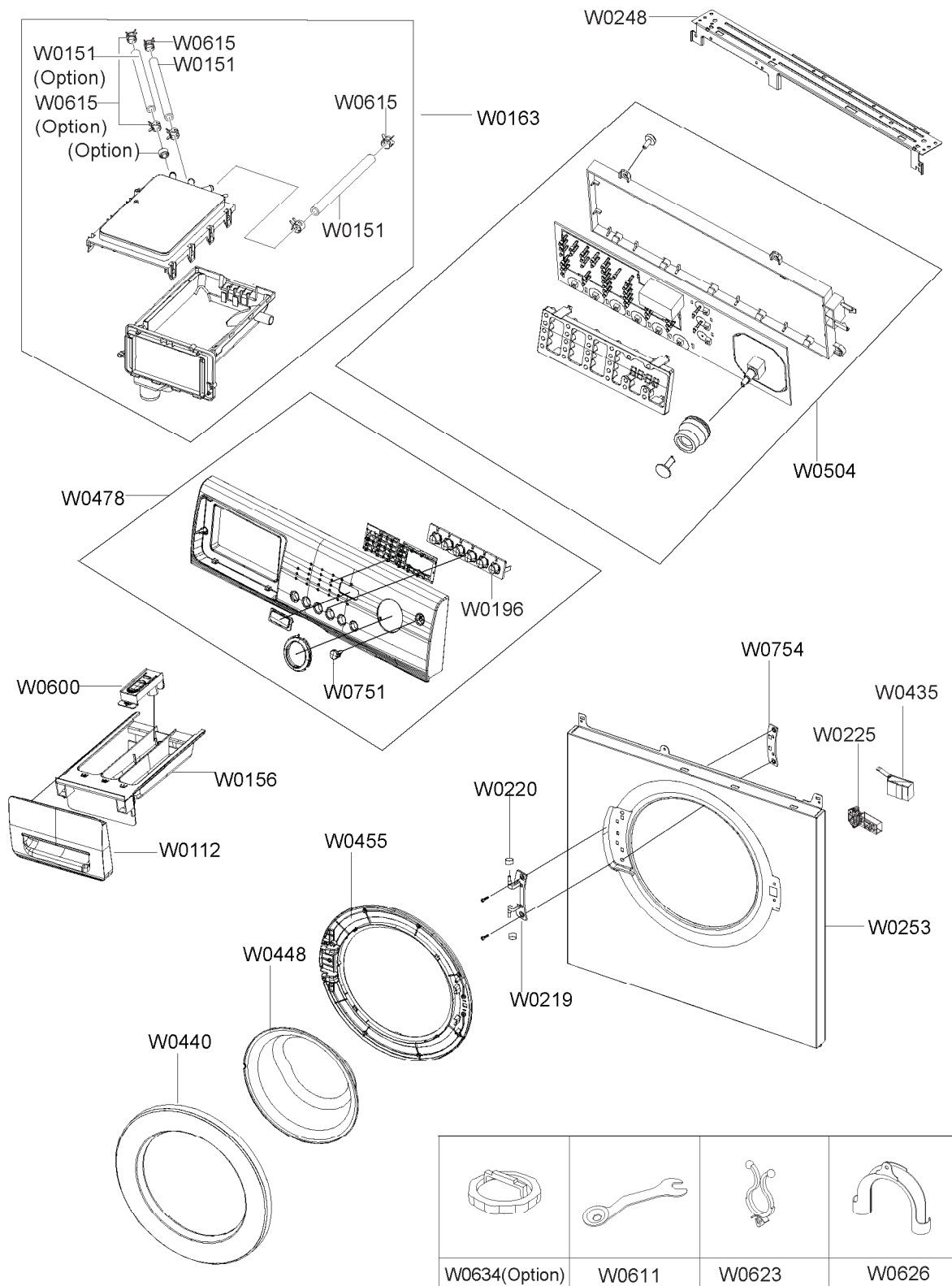
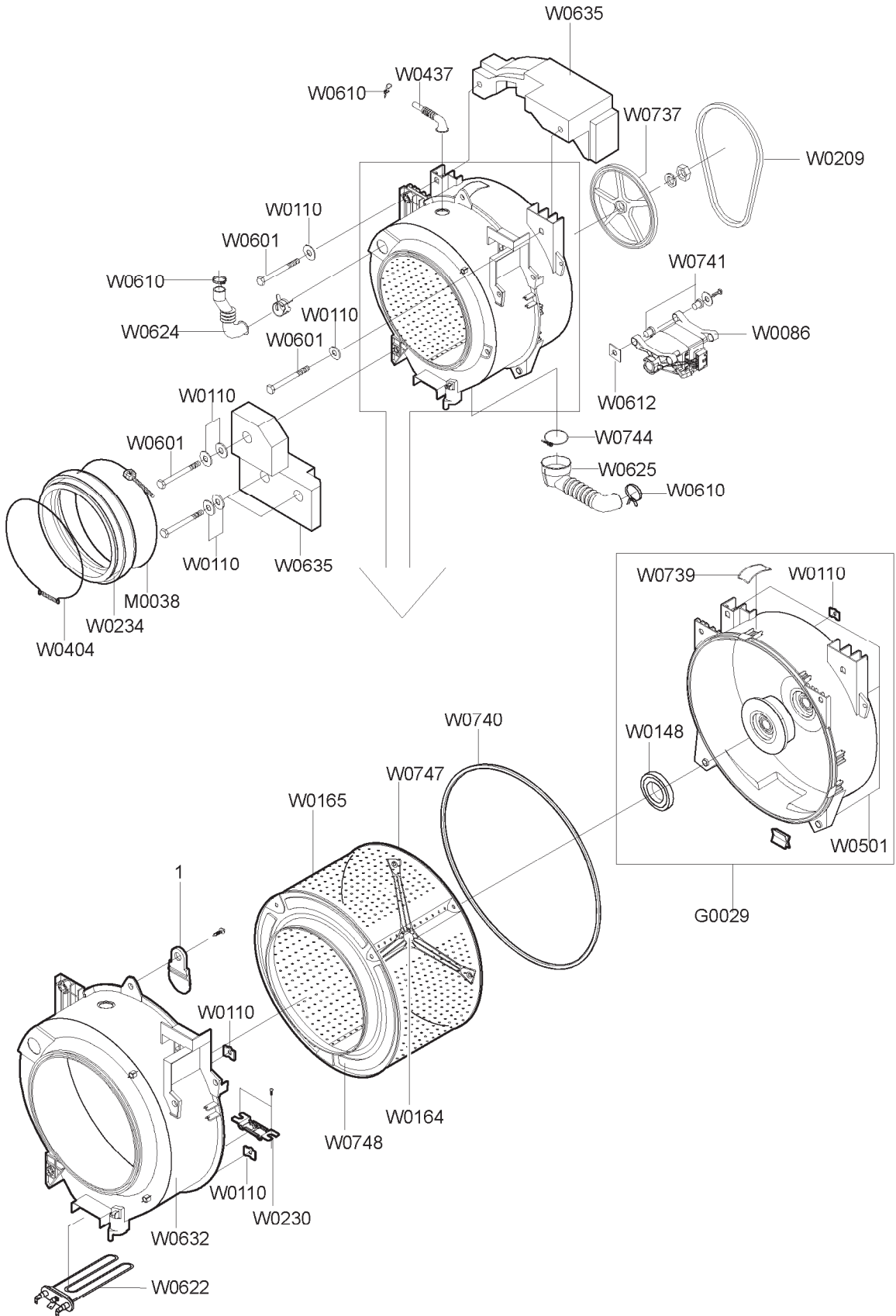


7. EXPLODED VIEWS AND PARTS LIST

7-1. EXPLODED VIEWS OF TOP(FRONT)



7-2. EXPLODED VIEWS OF TUB



7-3. EXPLODED VIEWS OF CASE

