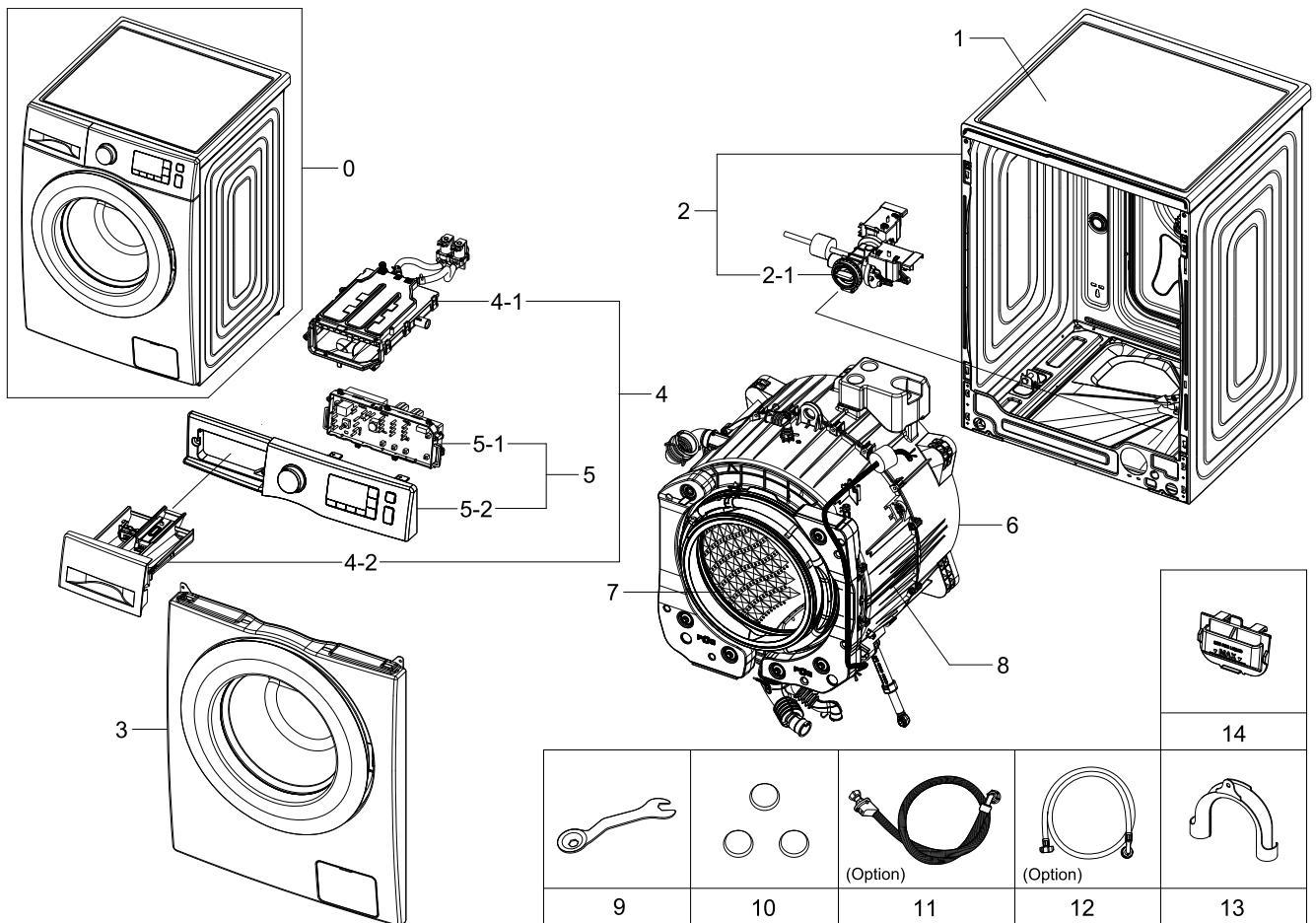


# 1. Main

## Exploded View



## Parts List

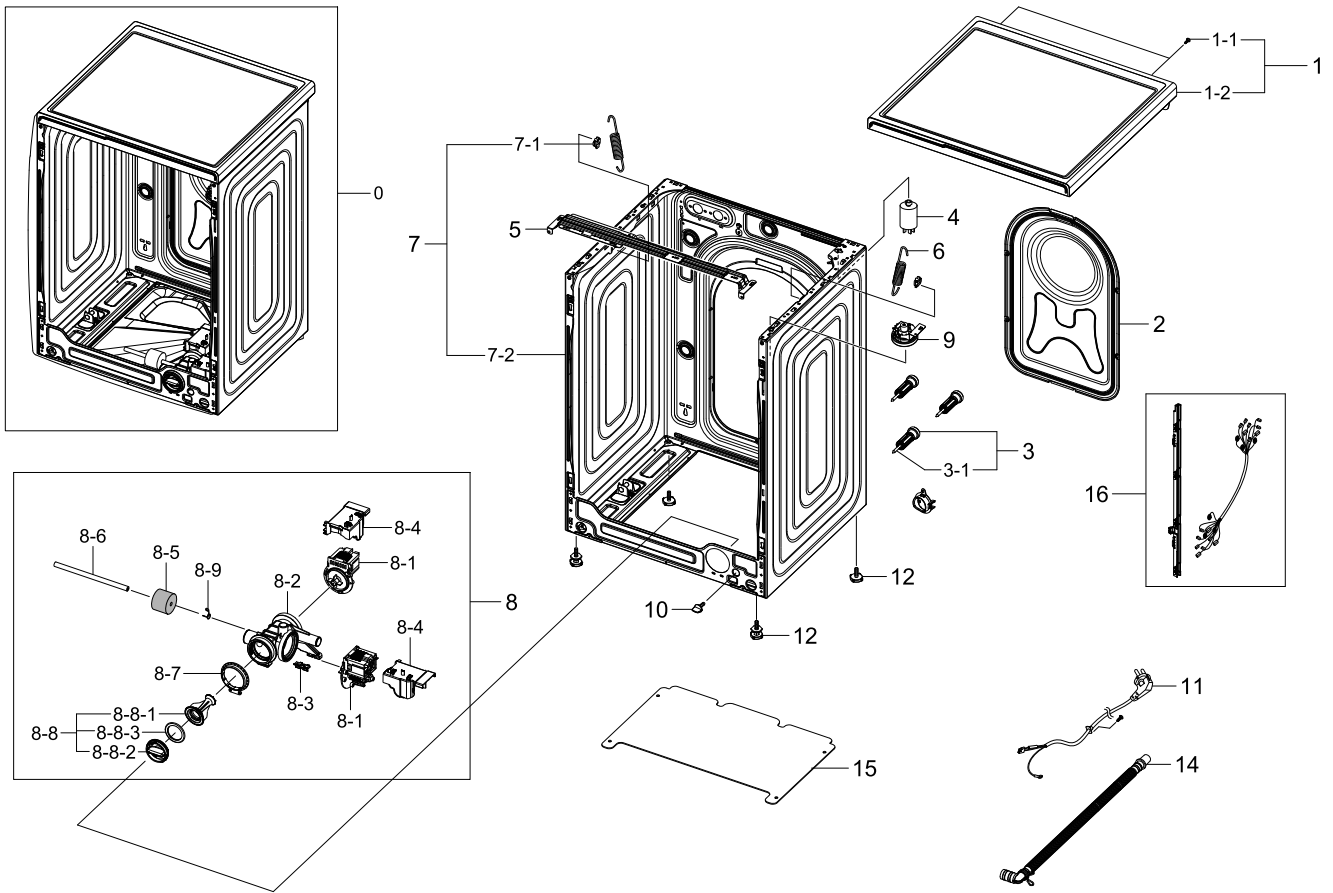
No.	Lvl.	Loc.	Material Code	Description & Specification	SNA	Qty.
1	2	W0183	DC97-17254C	ASSY COVER TOP; F500E,WHITE	SA	1
2	1	W0506	DC90-13970A	ASSY FRAME; F500,WF70F5E0N2W/EC	SNA	1
2-1	2	W0194	DC97-17336B	ASSY PUMP DRAIN; F400,NON BUBBLE,230V	SNA	1
3	1		DC90-12807A	ASSY FRONT; WHITE,WHITE,F500	SNA	1
4	1	W0216	DC90-12798A	ASSY DRAWER; F500,UNI,WHT,COLD	SNA	1
4-1	2	W0163	DC97-17311A	ASSY HOUSING DRAWER; F500E,WF80F50FU4W,PP	SA	1
4-2	2	W0216	DC97-17310B	ASSY DRAWER; F500E,WF80F50FU4W	SNA	1
5	1	W0478	DC90-13834A	ASSY PANEL CONTROL; WF70F5E0N4W/EC	SNA	1
5-1	2		DC92-01238R	ASSY KIT; ASSY PCB KIT,F500E,7KG, 1400RPM	SNA	1
5-2	2	W0475	DC97-17318B	ASSY KNOB ENCODER; WF80F50FU4W/EF	SA	1
6	1	W0501	DC90-12811A	ASSY TUB BACK; F500,CERAMIC	SNA	1
7	1	W0165	DC90-12363A	ASSY DRUM; F500E,WF80F5E5U4W/EF	SNA	1

Exploded Views and Parts List

No.	Lvl.	Loc.	Material Code	Description & Specification	SNA	Qty.
8	1	W0165	DC90-12363A	ASSY DRUM; F500E,WF80F5E5U4W/EF	SNA	1
9	2	W0611	DC60-40146A	BOLT-SPANER; CR,T2.5,-	SA	1
10	2	W0614	DC67-00307A	CAP-FIXER; WF438AAC/XAA,PP,T1.5,BLK,RM60	SC	3
11	2	W0757	DC97-16921A	ASSY HOSE WATER; HEBA,WF8804,REFLEX,BLUE/	SA	1
13	2	W0626	DC62-10278A	HOSE-HANGER; PUMP MODEL,PP,BLACK	SA	1
14	2		DC61-03510A	GUIDE-LIQUID; WF-F500E,PP,-,-,FC2305,ECO	SA	1

## 2. Frame&Cover Parts

### Exploded View



### Parts List

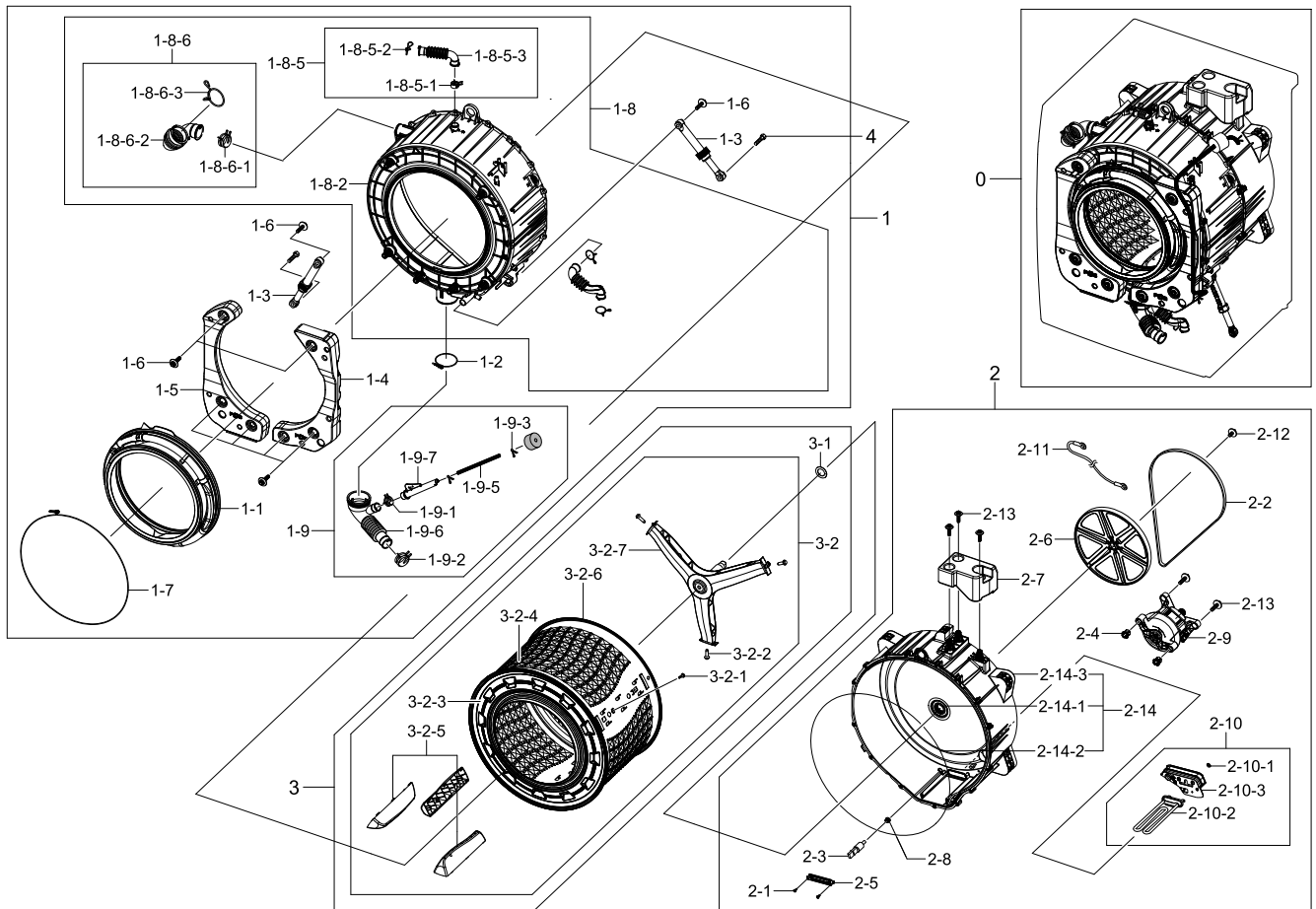
No.	Lvl.	Loc.	Material Code	Description & Specification	SNA	Qty.
1	1	W0183	DC90-12931A	ASSY COVER TOP; F500,UNI,WHT	SNA	1
1-1	2	G0425	6009-001476	SCREW-HEX; HEX,+,M5,L10,Ni-Zn(WHT),SWRCH1	SA	2
1-2	2	W0183	DC97-17254C	ASSY COVER TOP; F500E,WHITE	SA	1
2	2	G0430	DC97-15809A	ASSY COVER BACK; GRIFFIN PJT,WF9904RWE/XE	SA	1
3	2	W0603	DC97-14653C	ASSY FIXER TUB; SCOUT,WF0804Y8E/XEF	SA	3
3-1	3	G0049	6011-001571	BOLT-HEX; M7,L114.5(64.5),ZPC,SCM435,FIXE	SNA	3
4	2	W0229	DC29-00005D	FILTER-EMI; FA-2151T-4 / RDFC-2718,1.2mm	SA	1
5	2	W0248	DC61-03467A	FRAME-PLATE(U); WF-F500E,GI-SGCC,-,-,T1.0	SNA	1
6	2	W0630	DC61-02146B	SPRING ETC-HANGER; F500E PJT,HSWR-SWRH,CD	SA	2
7	2	W0506	DC97-17325G	ASSY FRAME; F500E,DA WHITE,COLD,UNI,NBB	SA	1
7-1	3	W0140	DC61-02065A	GUIDE-SPRING; WF448AAG/XXA,POM,T4,W24,L36	SA	2

## Exploded Views and Parts List

No.	Lvl.	Loc.	Material Code	Description & Specification	SNA	Qty.
7-2	3	W0244	DC61-03459E	FRAME; GI-SGCC,-,DA WHITE,T0.7,PCM2C,UNI	SNA	1
8	2	W0194	DC97-17336B	ASSY PUMP DRAIN; F400,NON BUBBLE,230V	SNA	1
8-1	3	M0022	DC31-00030H	PUMP-DRAIN; 220V-240V,50Hz,30W, 30mm	SA	1
8-2	3	W0479	DC61-01951A	CASE-PUMP; WF8804DP,PP,T2.5,W128,L108,-,-	SA	1
8-3	3		DC63-00905A	CUSHION-PUMP; WF8802DPF/XET,NBR,-,W37.6,L	SA	1
8-4	3	W0213	DC63-01549A	COVER-PUMP; F500,PP,VO GRADE,WHT,FH44N,-	SA	1
8-5	3	W0743	DC63-10003C	SPONGE-HOSE AIR; SWF-P12,PU-FOAM,GRY	SA	1
8-6	3	U2015	DC67-00244C	HOSE-DRAIN; WF0804Y8E,EPDM,ID6,OD11,T2.5,	SA	1
8-7	3		DC69-01128A	PACKING-PUMP; WF8804DP,IIR,BUTYL,T2.5,HEB	SA	1
8-8	3	G0050	DC97-14278A	ASSY FILTER; HEBA-PJT,ASSY-FILTER,PP+EPDM	SA	1
8-8-1	4	W0633	DC63-00865A	FILTER-PUMP; WF8804DP,PP	SNA	1
8-8-2	4		DC64-01317A	HANDLE-FILTER; PP,-,-	SA	1
8-8-3	4		DC73-00022A	SEAL-PACKING; SEW-HVR149ATA,EPDM,BLK,-	SNA	1
9	2	W0607	DC96-01703G	ASSY SENSOR PRESSURE; GRACE-S,GRACE-S,DC	SA	1
10	2	W0613	DC61-10673A	CAP-DRAIN; PP,-,-,WHITE	SA	1
11	2	W0081	DC96-00146A	ASSY POWER CORD; VDE,UCP2,250V16A,H05VV-F	SA	1
12	2	W0606	DC97-00920U	ASSY LEG; F500E,WF80F5E5U4W/EF,H33.5,P1.5	SA	4
14	2	W0604	DC97-16240D	ASSY HOSE DRAIN(O); F500E	SA	1
15	2	W0629	DC64-02912A	SHUTTER; F500E,PP,-	SNA	1
16	2	W0080	DC93-00353G	ASSY M.GUIDE WIRE HARNESS; F500E,8KG_UNIV	SNA	1

## 3. Assy Tub&Drum

### Exploded View



### Parts List

No.	Lvl.	Loc.	Material Code	Description & Specification	SNA	Qty.
1	1	G0048	DC90-13968A	ASSY TUB FRONT; F500,WF70F5E0Z4W/EN	SNA	1
1-1	2	W0234	DC64-02888A	DOOR-DIAPHRAGM; WF80F5E5U4W,TPE,T2.4,H80.	SA	1
1-2	2	W0744	DC65-00021A	CLAMPER HOSE-JOINT; HEBA PJT,HSWR-SWRH,ID	SA	1
1-3	2	W0618	DC66-00531C	DAMPER-SHOCK; HEBA,STEEL+PP+RUBBER,80N,W2	SA	2
1-4	2	W0232	DC67-00681A	WEIGHT-BALANCER(R); F500,CONCRETE,W238,L4	SA	1
1-5	2	W0233	DC67-00682A	WEIGHT-BALANCER(L); F500,CONCRETE,W238,L5	SA	1
1-6	2	W0601	DC97-14263A	ASSY BOLT; HEBA-PJT,MOTOR/BOLT(M8)+WASHER	SA	8
1-7	2	M0038	DC97-14618A	ASSY CLAMP DIAPHRAGM; WF8804DP,OD2.0/L124	SA	1
1-8	2	W0636	DC97-17327B	ASSY SEMI TUB FRONT; F500E,FRPP	SNA	1

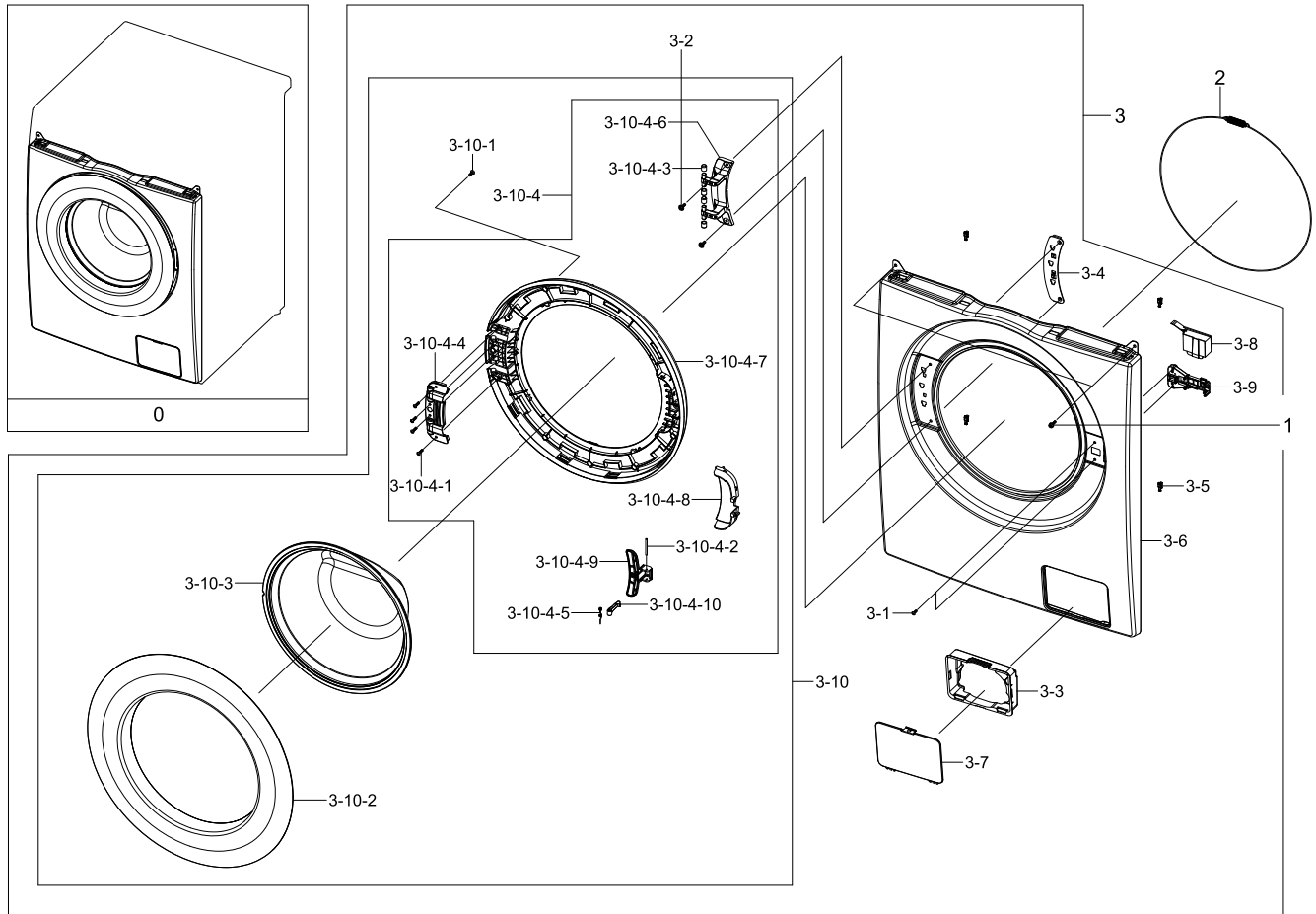
Exploded Views and Parts List

No.	Lvl.	Loc.	Material Code	Description & Specification	SNA	Qty.
1-8-2	3		DC61-03453B	TUB FRONT; FRPP,T3.5,NATURAL,NON BUBBLE	SNA	1
1-8-5	3	G0422	DC97-14873B	ASSY HOSE AIR; HEBA,WF8702,-,BLACK	SA	1
1-8-5-1	4	W0615	DC61-00158A	CLAMPER HOSE; SW65ASP,SK5,ID23,T0.8,-	SA	1
1-8-5-2	4	F0100	DC65-60118J	CLIP-RING; HSWR-SWRH,-,PI2.0/ID23	SNA	1
1-8-5-3	4	W0437	DC67-00354A	HOSE-AIR; HEBA PJT,EPDM,BLK,7kg	SNA	1
1-8-6	3	G0043	DC97-14874C	ASSY HOSE DRAWER; HEBA BIGBANG,WF0800NCE,	SA	1
1-8-6-1	4	W0615	DC61-00219G	CLAMPER HOSE; HEBA BIGBANG,SK5,ID37/OD39/	SNA	1
1-8-6-2	4	W0624	DC67-00422A	HOSE-DRAWER TUB; HEBA-PJT,EPDM,BLK	SC	1
1-8-6-3	4	W0610	DC72-00001G	CLIP-RING; HEBA-PJT,HSWR-SWRH,T3.0,ID49.5	SA	1
1-9	2	W0605	DC97-17330A	ASSY HOSE PRESSURE; F500E,WF80F5E5U4W/EF	SA	1
1-9-1	3	W0615	DC61-00219B	CLAMPER HOSE; SK5,WLSL1100A,ID24 OD26.4	SNA	1
1-9-2	4	W0615	DC61-00219G	CLAMPER HOSE; HEBA BIGBANG,SK5,ID37/OD39/	SNA	1
1-9-3	3	M0005	DC61-70029C	SPRING-CLIP; SEW-HW125,HSWR,CD1.2,ID8.3,W	SA	2
1-9-5	3	W0725	DC67-00230E	HOSE-WATER; WD8704,TPE,ID4.5,GRY	SNA	1
1-9-6	3	W0625	DC67-00551A	HOSE-FILTER TUB; VOLGA,EPDM,ID64.5,OD70,T	SNA	1
1-9-7	3		DC67-00553A	HOSE-JOINT AIR; VOLGA,PP,ID18.1,OD22.8,NT	SNA	1
2	1	W0501	DC90-12811A	ASSY TUB BACK; F500,CERAMIC	SNA	1
2-1	2	W0105	6002-000473	SCREW-TAPPING; TH,+,NO,1,M4,L14,PASS,STS3	SA	2
2-2	2	W0209	6602-001497	BELT-TIMING GEAR; RUBBER(GATES),T3.2,1270	SA	1
2-3	2	M0487	DC32-00010C	THERMISTOR; 3243OHM AT 60-10~100,5,10	SA	1
2-4	2		DC63-01623A	CUSHION MOTOR; WF80F5E5U4W,NBR,-,40,Black	SA	2
2-5	2	W0230	DC61-02874A	BRACKET-HEATER; WD0704CQR,STAINLESS-STS43	SA	1
2-6	2	W0088	DC66-00767A	PULLEY-MOTOR; F500,PA66,AF216V60(PA66+GF6	SA	1
2-7	2	W0231	DC67-00670A	WEIGHT-BALANCER(U); F500,CONCRETE,T61.9,W	SA	1
2-8	2	M0028	DC69-00824A	PACKING-THERMISTOR; GW-PJT,EPDM,-,-,W17,H	SA	1
2-9	2	W0086	DC31-00123F	MOTOR UNIVERSAL-DRUM; UML 5204.01,1400,22	SA	1
2-10	2	G0420	DC93-00355B	ASSY HEATER; SEPM,CERAMIC	SNA	1

No.	Lvl.	Loc.	Material Code	Description & Specification	SNA	Qty.
2-10-1	3	W0110	6031-001531	WASHER-PLAIN; SCP1,ID7,OD14,T1.2,ZPC2,ACE	SA	1
2-10-2	3	W0237	DC47-00033A	HEATER-WASH; HEBA,SUS316L+CERAMIC COATING	SA	1
2-10-3	3	W0235	DC63-01553A	COVER-HEATER; F500 PJT,ABS+PC,W77,L168.1,	SA	1
2-11	2	W0503	DC96-01327B	ASSY WIRE HARNESS; HEBA-PJT,-,-,TUB EARTH	SA	1
2-12	2	W0601	DC97-06080A	ASSY BOLT; SEW-3HR105,BOLT+WASHER	SA	1
2-13	2	W0601	DC97-14263A	ASSY BOLT; HEBA-PJT,MOTOR/BOLT(M8)+WASHER	SA	8
2-14	2	W0501	DC97-17334A	ASSY TUB BACK; F500E,WF80F5E5U4W/EF,8.0kg	SA	1
2-14-1	3	W0148	DC62-00008A	SEAL-OIL; NBR,BLACK,-,NBU	SA	1
2-14-2	3	W0740	DC69-01769A	PACKING-TUB; ARNO,EPDM,EPDM,T5.5,L1720,BL	SA	1
2-14-3	3	G0029	DC97-17329A	ASSY SEMI TUB BACK; F500E,WF80F5E5U4W/EF,	SNA	1
3	1	W0165	DC90-12363A	ASSY DRUM; F500E,WF80F5E5U4W/EF	SNA	1
3-1	2		DC60-00069A	SPACER; WR-HA139WA,STAINLESS-ST304,ID30.	SNA	1
3-2	2	W0165	DC97-17231A	ASSY DRUM; F500 PJT,8KG,1400RPM	SA	1
3-2-1	3	W0105	6002-001435	SCREW-TAPPING; TH,+,2,M4,L12,PASS,STS430	SNA	2
3-2-2	3	G0049	DC60-40137A	BOLT-HEX; MARS-PJT,STAINLESS-ST3430,M8,P1	SA	3
3-2-3	3	W0748	DC66-00756A	DRUM-FRONT; F500 PJT,STAINLESS-ST3430,ID3	SNA	1
3-2-4	3		DC66-00757A	DRUM-WRAPPER; F500 PJT,STAINLESS-ST3430,I	SNA	1
3-2-5	3	W0619	DC66-00759A	DRUM-LIFTER; F500 PJT,PP,W52,H45.8,L246,-	SA	3
3-2-6	3	W0747	DC66-00761A	DRUM-BACK; F500 PJT,STAINLESS-ST3430,OD50	SNA	1
3-2-7	3	W0164	DC97-17234A	ASSY FLANGE SHAFT; F500 PJT,8KG,1400RPM	SA	1
4	2	G0049	6011-001644	BOLT-HEX; M10,L35,ZPC2,SM10C,DAMPER	SA	2

# 4. Assy Front

## Exploded View



## Parts List

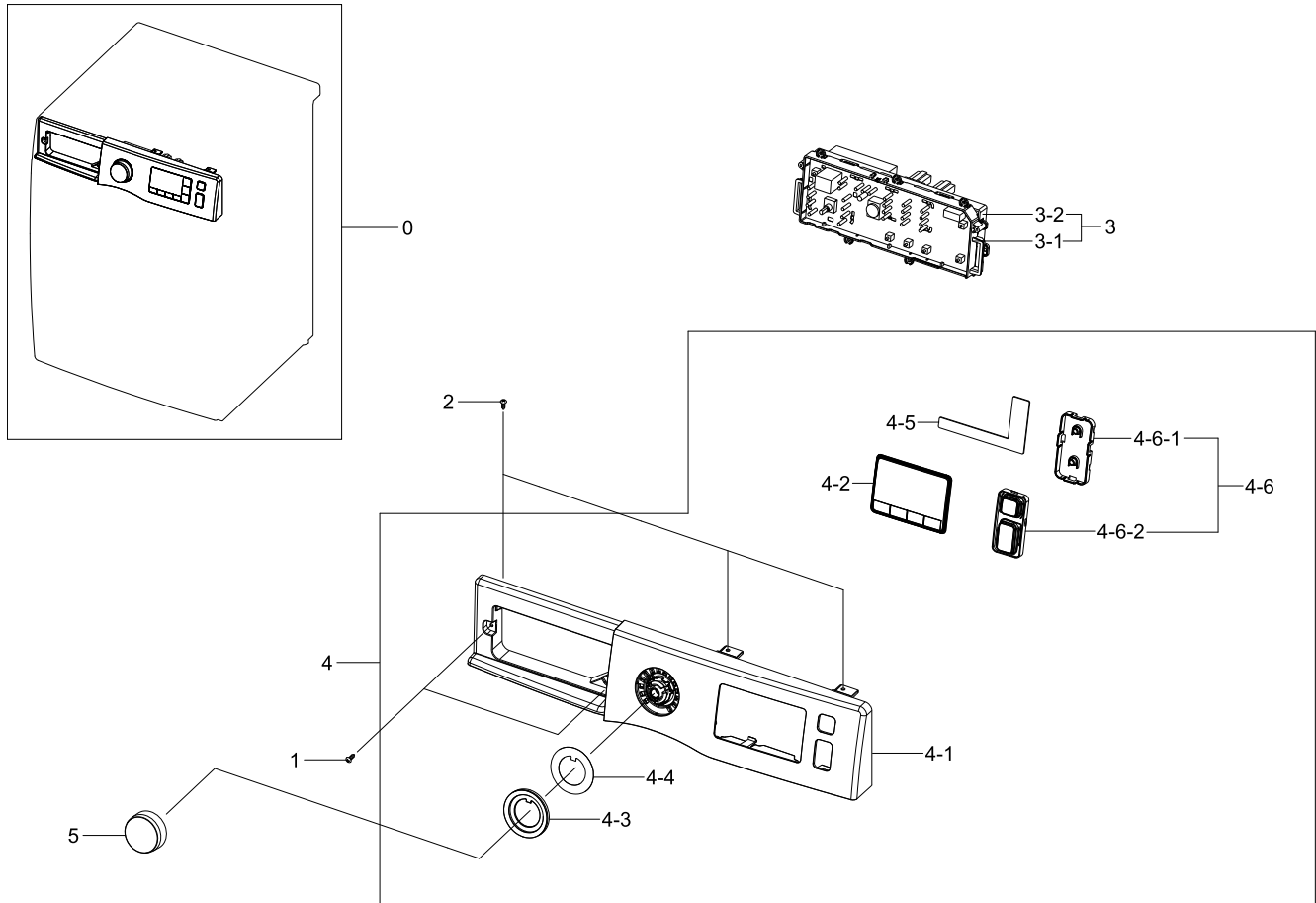
No.	Lvl.	Loc.	Material Code	Description & Specification	SNA	Qty.
0	1		DC90-12807A	ASSY FRONT; WHITE,WHITE,F500	SNA	1
1	2	W0105	6002-001438	SCREW-TAPPING; HWH,+ ,NO,1,M5,L12,ZPC(WHT)	SA	2
2	2	W0608	DC91-12078D	ASSY WIRE DIAPHRAGM; HEBA-PJT,-,-,-,-,-	SA	1
3	2	W0253	DC97-17361C	ASSY FRAME FRONT; F500E	SNA	1
3-1	3	W0105	6002-001435	SCREW-TAPPING; TH,+ ,2,M4,L12,PASS,STS430	SNA	2
3-2	3	G0425	6009-001522	SCREW-HEX; HWH,+ ,M5,L16,PASS,STS430,FP,SE	SA	2
3-3	3	W0228	DC61-01917A	GUIDE-FILTER; WF8804DP,HIPS,T2.5,W149.2,L	SA	1
3-4	4	W0226	DC61-03561A	BRACKET-HINGE; F500E,GI-SGCC,T1.4,-,-,N/A	SNA	1
3-5	3		DC61-02577B	GUIDE-FRAME FRONT; WF1802XEC,POM,L19.4,NT	SNA	4
3-6	3	W0727	DC97-17482A	ASSY FRAME FRONT(S); F500E,DA WHITE	SA	1
3-7	3	W0516	DC63-00920A	COVER-FILTER; WF8500NHW,ABS,T2.5,W115.5,L	SA	1



No.	Lvl.	Loc.	Material Code	Description & Specification	SNA	Qty.
3-8	3	W0435	DC63-00967A	COVER-DOOR SWITCH; AEGIS-PJT/ WF8500NHW,P	SA	1
3-9	3	W0225	DC64-01538A	DOOR-LOCK S/W; ZV-446L5,PA,W95,L52,WHITE,	SA	1
3-10	3	W0459	DC97-17364C	ASSY DOOR; F500E	SA	1
3-10-1	4	W0105	6002-000444	SCREW-TAPPING; TH,+,2,M4,L14,PASS,STS430	SNA	11
3-10-2	4	W0440	DC63-01539A	COVER-DOOR; F400E,ABS,-,-,DA WHITE,HG-076	SNA	1
3-10-3	4	W0448	DC64-01521A	DOOR-GLASS; WF8804DP,GLASS,T5.0,H120.5,NA	SA	1
3-10-4	4	W0454	DC97-17363A	ASSY HOLDER GLASS; F400E	SNA	1
3-10-4-1	5	W0105	6002-000445	SCREW-TAPPING; TH,+,NO,2,M4,L18,PASS,STS4	SNA	4
3-10-4-2	5	G0426	6043-001093	PIN-PARALLEL(KEY); A,OD3,L40,PASS,STS204	SNA	1
3-10-4-3	5	W0220	DC61-00891A	GUIDE-HINGE; HAUZEN(DOM),POM,-,-,-,WHT,HI	SA	4
3-10-4-4	5	W0754	DC61-01915B	BRACKET-HOLDER; WF8804DP,GI-SGCC,T1.2,N/A	SA	1
3-10-4-5	5	W0142	DC61-02027A	SPRING ETC-LEVER; STAINLESS-STS304,CD1.2,	SA	1
3-10-4-6	5	W0219	DC61-03189A	HINGE-DOOR; WF8804DP,PA66,T5.0,W51.7,L156	SA	1
3-10-4-7	5	W0439	DC61-03477A	HOLDER-GLASS; F400E,PP,T2.5,-,-	SNA	1
3-10-4-8	5	W0173	DC63-01541A	COVER-HANDLE; WF-F500E,ABS,-,W132.5,-,DA	SNA	1
3-10-4-9	5	W0447	DC64-02852A	HANDLE-DOOR; WF-F500E,ABS,T2.0,W112,DA WH	SNA	1
3-10-4-10	5	W0474	DC66-00497A	LEVER-DOOR; WF8804DP,ZNDC,T10,W10,L46,NI	SC	1

# 5. Assy Panel Control

## Exploded View



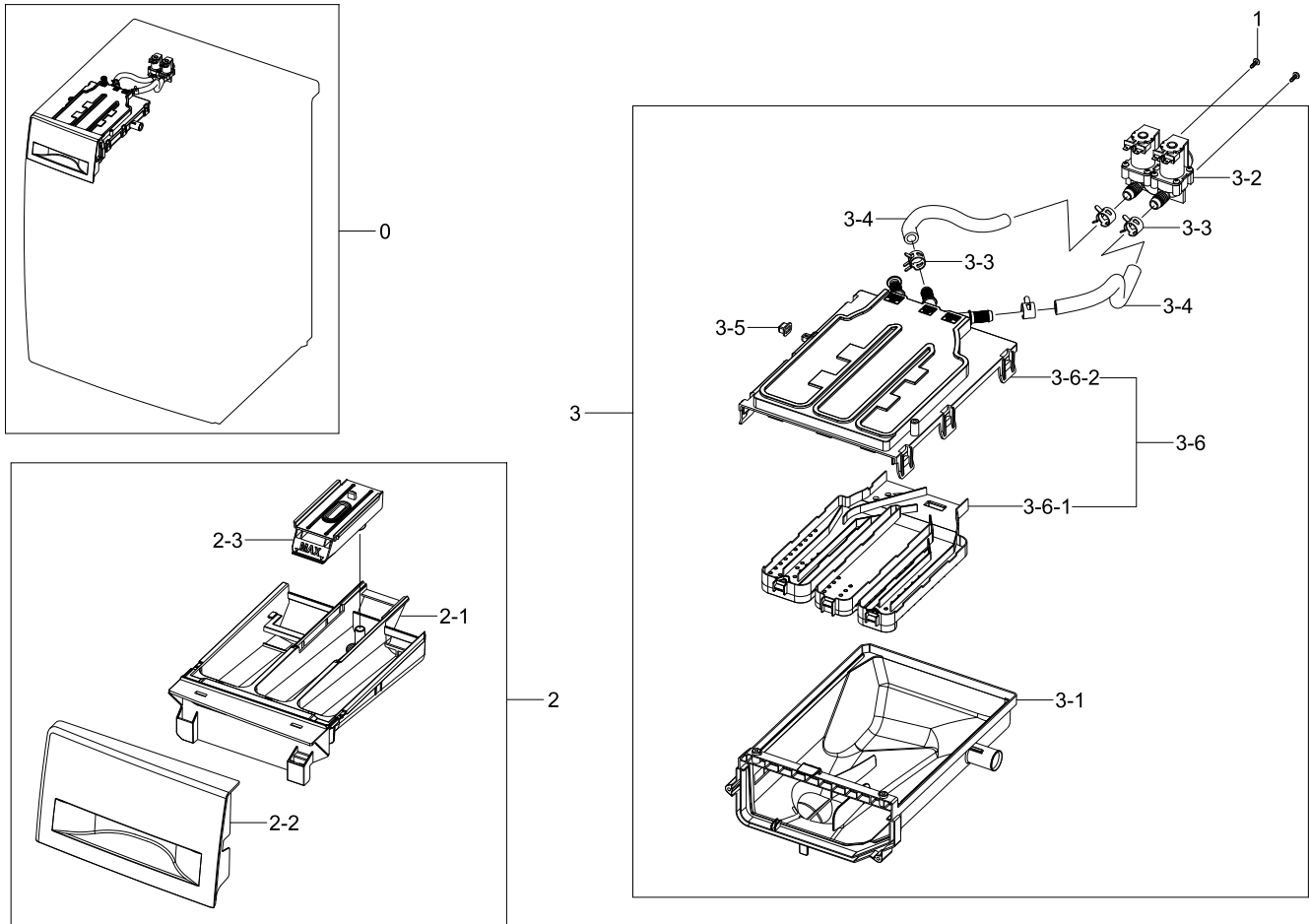
## Parts List

No.	Lvl.	Loc.	Material Code	Description & Specification	SNA	Qty.
0	1	W0478	DC90-13834A	ASSY PANEL CONTROL; WF70F5E0N4W/EC	SNA	1
1	5	W0105	6002-000445	SCREW-TAPPING; TH,+,NO,2,M4,L18,PASS,STS4	SNA	4
2	2	W0105	6002-000520	SCREW-TAPPING; TH,+,-,2,M4,L12,ZPC(WHT),S	SNA	1
3	2		DC92-01238R	ASSY KIT; ASSY PCB KIT,F500E,7KG, 1400RPM	SNA	1
3-1	3	W0470	DC92-01493A	ASSY PCB MAIN; MAIN,F500E,326*87,Y,230V /	SA	1
3-2	3	W0469	DC92-01237H	ASSY PCB SUB; SUB PBA,F500,N,-,-,UNI, 7	SNA	1
4	2	W0478	DC97-17403S	ASSY PANEL CONTROL; WF70F5E0N4W/EC,Spanis	SA	1
4-1	3	W0478	DC97-17404S	ASSY PANEL CONTROL; WF70F5E0N4W/EC,Spanis	SNA	1
4-2	4		DC64-02862G	WINDOW PANEL; WF70F5E0N4W/EN,ABS+PMMA,-,T	SNA	1

No.	Lvl.	Loc.	Material Code	Description & Specification	SNA	Qty.
4-3	3	G0443	DC64-02856A	WINDOW-ENCODER; F500E,ABS+PMMA,T5.8,D64.8	SNA	1
4-4	3		DC64-02889A	INLAY-ENCODER; F500E,PET,T0.188,OD64.1,ID	SNA	1
4-5	3	W0897	DC93-00352A	ASSY SENSOR; F400 BETTER,TOUCH SENSOR,4-B	SNA	1
4-6	3	G0431	DC97-17392A	ASSY BUTTON; WF80F50FU4W/EF	SNA	1
4-6-1	4		DC63-01543A	COVER-BUTTON(L); F500E,ABS,T2.0,W45.2,L91	SNA	1
4-6-2	4		DC64-02920A	BUTTON PUSH-POWER; F500E,ABS,DA WHITE	SNA	1
5	2	W0475	DC97-17318B	ASSY KNOB ENCODER; WF80F50FU4W/EF	SA	1

# 6. Assy Drawer

## Exploded View



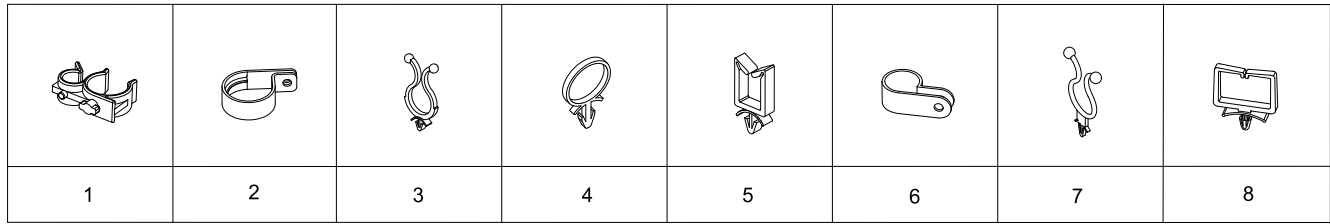
## Parts List

No.	Lvl.	Loc.	Material Code	Description & Specification	SNA	Qty.
0	1	W0216	DC90-12798A	ASSY DRAWER; F500,UNI,WHT,COLD	SNA	1
1	2	F0055	6003-000226	SCREW-TAPTYPE; TH,+,-,S,M4,L8,ZPC(WHT),SW	SC	2
2	2	W0216	DC97-17310B	ASSY DRAWER; F500E,WF80F50FU4W	SNA	1
2-1	3	W0156	DC61-03480A	BODY-DRAWER; WF-F500E,PP,White,F500, 8kg	SA	1
2-2	3		DC64-02858B	PANEL DRAWER; WF-F500E,ABS,-,WHITE,F500E	SA	1
2-3	3	W0215	DC67-00669A	CAP-RINSE; WF-F500E,PP,-,ECO BLUE,F500	SA	1
3	2	W0163	DC97-17311A	ASSY HOUSING DRAWER; F500E,WF80F50FU4W,PP	SA	1
3-1	3	W0372	DC61-03473A	HOUSING-DRAWER(L); WF-F500E,PP,-,WHITE,-,	SA	1
3-2	3	W0078	DC62-00024M	VALVE-WATER; DRUM,PA66,-,220-240V,50/60	SC	1
3-3	3	W0615	DC65-00008A	CLAMPER HOSE; SEW-DR605,SK5,-,ID14.2/T0.9	SA	4

No.	Lvl.	Loc.	Material Code	Description & Specification	SNA	Qty.
3-4	3	W0151	DC67-00051T	HOSE-DRAWER; F500E,EPDM,ID9.0,OD14.5,L230	SA	2
3-5	3		DC67-00327A	CAP-DRAWER HOOK; HEBA-PJT,EPDM,T1.1,W13.9	SA	1
3-6	3	W0497	DC97-17347A	ASSY S.HOUSING DRAWER; F500E,WF80F5E5U4W	SA	1
3-6-1	4	W0371	DC61-03474A	HOUSING-DRAWER(M); WF-F500E,PP,-,NATURAL,	SNA	1
3-6-2	4	W0370	DC61-03475A	HOUSING-DRAWER(U); WF-F500E,PP,-,NATURAL,	SNA	1

# 7. Small Parts

## Exploded View



## Parts List

No.	Lvl.	Loc.	Material Code	Description & Specification	SNA	Qty.
1	2	W0616	DC61-00133A	CLAMPER HOSE-FIX; P1291,PP,-,HOSE+PLUG,BJ	SA	1
2	2	W0616	DC61-00118A	CLAMPER HOSE-FIX; P1291,PA66,ID27,OD30	SA	1
3	2	W0623	DC61-40081A	HOLDER-WIRE; DAWH-2NC,PA,-,NATURAL,-	SA	5
4	2	W0623	DC61-40083A	HOLDER-WIRE; DAWH-3ND,NYLON66,NTR(PI24.4)	SA	1
5	2	M0001	DC61-00553B	HOLDER-WIRE SADDLE; PA,NTR,NYLON66	SA	3
6	2		DC65-20010A	CABLE CLAMP; DA-9N-1,NYLON66,NTR	SNA	1
7	2		6502-000127	CABLE CLAMP; DAWH-18NB,ID15,-,NYLON66,NTR	SA	1
8	2	W0623	DC61-60074A	HOLDER-WIRE; PA,-,NATURAL,-,rectangle	SA	1