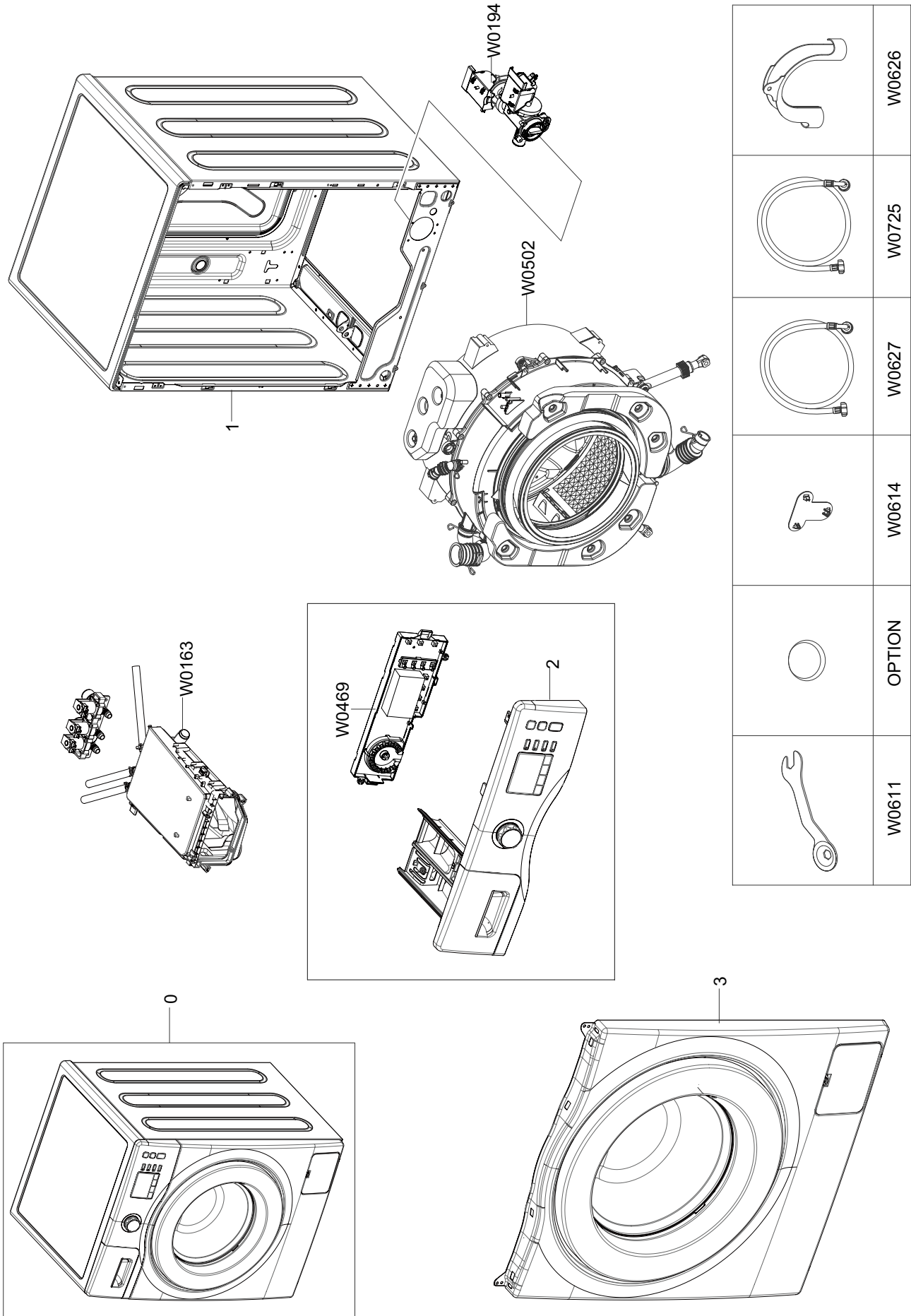








# 1-1. MAIN

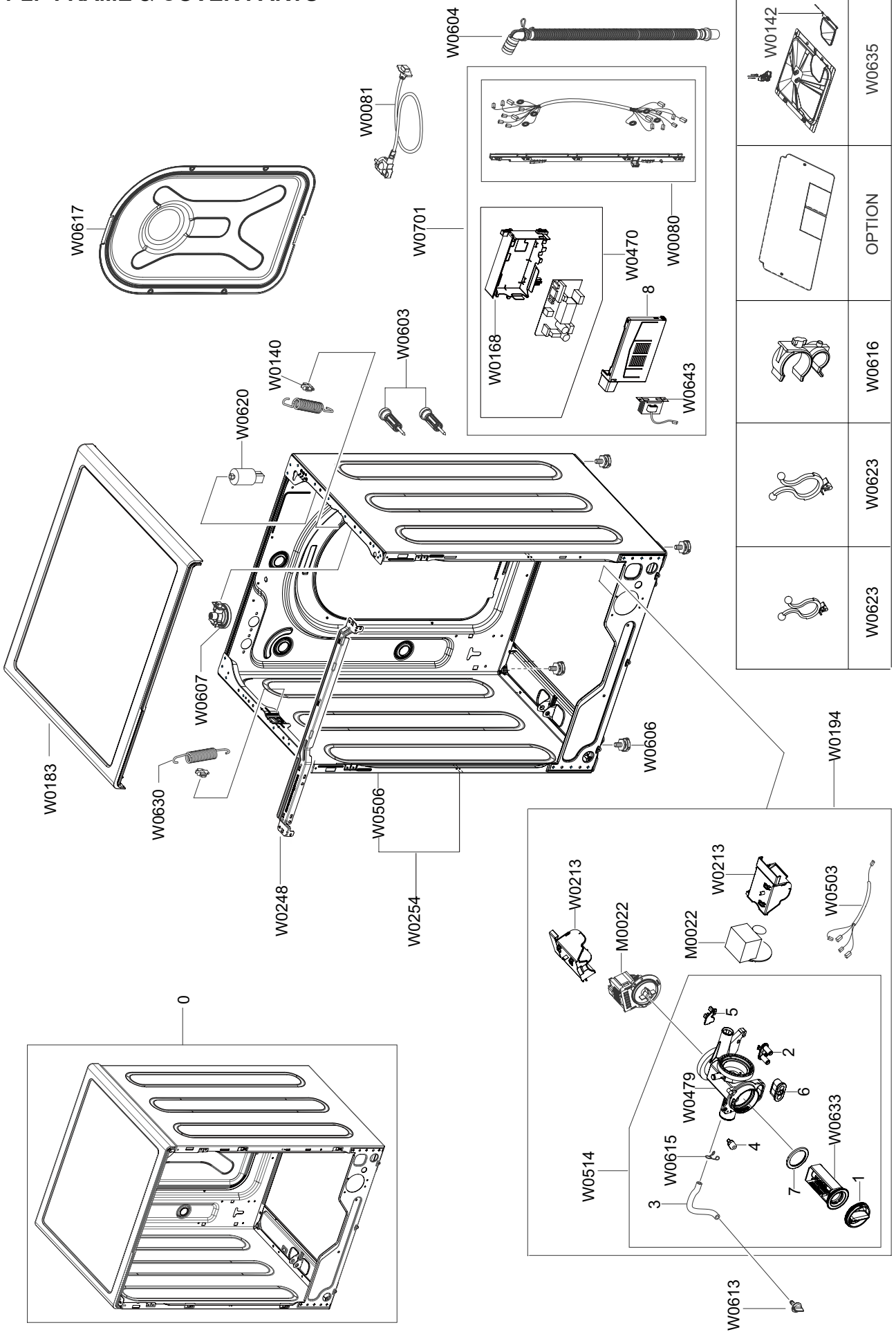


	W0611	
	OPTION	
	W0614	
	W0627	
	W0725	
	W0626	

**MODEL CODE: WF706U4SAWQ/EF**Service Bom (**SA**: SERVICE AVAILABLE, **SNA**: SERVICE NOT AVAILABLE)

SVC Code	Code No.	Description	Specification	QTY	Un	SA/SNA
1.1-0	-	WF706U4SAWQ/EF	-	-	-	-
1.1-1	-	FRAME&COVER PARTS	-	-	-	-
1.1-2	-	PANEL CONTROL&PANEL DRAWER	-	-	-	-
1.1-3	-	ASSY FREME FRONT&ASSY DOOR	-	-	-	-
W0163	DC97-17029A	ASSY HOUSING DRAWER	SEINE-7KG,WF702U2SAW	1	PC	SA
W0194	DC97-16441C	ASSY PUMP DRAIN	ALL,WF-F1061,220V 50Hz,A	1	PC	SNA
W0469	DC92-01057F	ASSY PCB SUB	seine best sub,BUBBLE,G LED	1	PC	SA
W0470	DC92-01059A	ASSY PCB MAIN	Seine,230V/50Hz,F2,COLD, B	1	PC	SA
W0502	DC90-09669A	ASSY TUB&DRUM	SEINE-PJT,WF706U4SAWQ/EF	1	PC	SNA
W0611	DC60-40146A	BOLT-SPANER	-,CR,-,T2.5,OD36,-,-,-	1	PC	SA
W0614	DC67-00251A	CAP-FIXER	SEW-6HR115B,PP,T1.83,W26.8,L34	4	PC	SA
W0626	DC62-10278A	HOSE-HANGER	PUMP MODEL,PP,BLK,RM60 RESIN	1	PC	SA
W0627	DC62-10289C	HOSE-WATER(C)	RUSSIA,PVC+NYLON,ID10.3,-,	1	PC	SA
W0725	DC67-00230D	HOSE-WATER	AEGIS-PJT,EPDM,ID4.5,OD8,T1.7	1	PC	SNA

# 1-2. FRAME & COVER PARTS



**MODEL CODE: WF706U4SAWQ/EF**

Service Bom (SA: SERVICE AVAILABLE, SNA: SERVICE NOT AVAILABLE)

SVC Code	Code No.	Description	Specification	QTY	Un	SA/SNA
1.2-1	DC64-01317A	HANDLE-FILTER	HANDLE-FILTER,PP,T2.5,W55,	1	PC	SNA
1.2-2	DC61-02221A	GUIDE-CUSHION	AEGIS,FRPP,W20.3,L40.8,NTR	1	PC	SNA
1.2-3	DC67-00244N	HOSE DRAIN	AEGIS 3,EPDM,ID6,OD10,T2.0,L2	1	PC	SNA
1.2-4	DC63-00955A	PACKING-PUMP	AEGIS,EPDM,T4,W26.3,L13.2,H	1	PC	SNA
1.2-5	DC63-01102A	CUSHION-PUMP(L)	AEGIS 3-PJT,BUTYL,T2.5,W	1	PC	SNA
1.2-6	DC63-00955A	PACKING-PUMP	AEGIS,EPDM,T4,W26.3,L13.2,H	1	PC	SNA
1.2-7	DC73-00022A	SEAL-PACKING	SEW-HVR149ATA,EPDM,BLK,40	1	PC	SA
1.2-8	DC63-01464A	COVER PCB	SEINE,ABS,T2.5,W298,L152	1	PC	SNA
M0022	DC31-30008D	PUMP-DRAIN	SW-70XP,220/240V,50Hz,SYNCHRO	2	PC	SA
W0080	DC93-00335A	ASSY M.GUIDE WIRE HARNESS	SEINE,WF706U4S	1	PC	SA
W0081	DC96-00146A	ASSY POWER CORD	UCP2,250V/16A,-,1500/EUR	1	PC	SA
W0140	DC61-02140A	GUIDE-SPRING	WF8500NMW,POM,T3.5,W24,L40.	2	PC	SNA
W0142	DC61-02204A	SPRING ETC-LEVER	WF8500NHV,STS304,T1.0,I	1	PC	SNA
W0168	DC61-03348A	GUIDE-PCB	SEINE,ABS,T2.5,W260,L217	1	PC	SNA
W0183	DC97-16081A	ASSY COVER TOP	SEINE 7.0KG,WF702U2SAWQ/L	1	PC	SA
W0194	DC97-16441C	ASSY PUMP DRAIN	ALL,WF-F1061,220V 50Hz,A	1	PC	SNA
W0213	DC63-01410A	COVER-PUMP	COVER-PUMP,PP,T1.3,W50,L77,V0	2	PC	SNA
W0248	DC61-03365A	FRAME-PLATE(U)	WF702U2SAWD/LE,GI-SGCC,NT	1	PC	SNA
W0254	DC97-15859B	ASSY PAINT FRAME	SEINE PJT,WF706U4SAWQ/E	1	PC	SA
W0470	DC92-01059A	ASSY PCB MAIN	Seine,230V/50Hz,F2,COLD, B	1	PC	SA
W0479	DC61-02505A	CASE-PUMP	SUNNY-PJT,PP,T2.5,WHITE	1	PC	SA
W0503	DC96-01567C	ASSY WIRE HARNESS	AEGIS 3- PJT,WF0702WKN	1	PC	SA
W0506	DC97-15138S	ASSY FRAME	SEINE PJT,WF701P2SAWQ/EN,GI(P	1	PC	SNA
W0514	DC97-15865A	ASSY CASE FILTER	SUNNY-PJT,WF9702N5W,7.0	1	PC	SA
W0603	DC97-14794A	ASSY FIXER TUB	HEBA-PJT/7kg,WF8702LS,-,-	4	PC	SA
W0604	DC97-14291D	ASSY HOSE DRAIN(O)	Aegis-PJT,SSEC,-,L175	1	PC	SA
W0606	DC97-00920H	ASSY LEG	SEW-6HR128ATC,L65/BLK,L65,-,-,-	4	PC	SA
W0607	DC96-01703B	ASSY SENSOR PRESSURE	PURPLE PJT,PURPLE P	1	PC	SA
W0613	DC61-10673A	CAP-DRAIN	SWF-P12,PP,-,-,-,NTR,-	1	PC	SA
W0615	DC61-00219B	CLAMPER HOSE	SK5,WLSL1100A,ID24 OD26.4,Z	1	PC	SNA
W0615	DC65-00008A	CLAMPER HOSE	SEW-DR605,SK5,-,-,YEL,ID14.	4	PC	SA
W0616	DC61-00133A	CLAMPER HOSE-FIX	P1291,PP,ID24.5,OD29.5,	2	PC	SA
W0617	DC63-00862C	COVER-BACK	WF8600NMW,GI-SGCC,T0.35,W352,	1	PC	SA
W0620	DC29-00015G	FILTER EMI	LFT-215G,250V,15,53*53*97,50/	1	PC	SA

---

**MODEL CODE: WF706U4SAWQ/EF**Service Bom (**SA**: SERVICE AVAILABLE, **SNA**: SERVICE NOT AVAILABLE)

<b>SVC Code</b>	<b>Code No.</b>	<b>Description</b>	<b>Specification</b>	<b>QTY</b>	<b>Un</b>	<b>SA/SNA</b>
W0623	DC61-40081A	HOLDER-WIRE	DAWH-2NC,PA,NTR(PI19.4)	7	PC	SA
W0623	DE65-20026A	HOLDER-WIRE	PA,NTR,LOCK-TWIST/STAND/Y260	1	PC	SNA
W0630	DC61-02146A	SPRING ETC-HANGER	AEGIS-PJT,HSWR,CD3.5,I	2	PC	SA
W0633	DC63-00998A	FILTER-PUMP	WF8702LSW,PP,T2.0,W52.8,L93.	1	PC	SA
W0635	DC97-15432D	ASSY COVER BOTTOM	AEGIS COMBO,WD0704CQR/	1	PC	SA
W0643	DC26-00009D	TRANS-REACTORV	SEW-3HR105,220V-240V,3A,2	1	PC	SA
W0701	DC92-01121A	ASSY PCB MAIN UNION	SEINE,DC92-01059A,Y,	1	PC	SNA



**MODEL CODE: WF706U4SAWQ/EF**

Service Bom (SA: SERVICE AVAILABLE, SNA: SERVICE NOT AVAILABLE)

SVC Code	Code No.	Description	Specification	QTY	Un	SA/SNA
1.3-1	DC67-00297A	HOSE-JOINT AIR	HEBA&Aegis-PJT,PP,ID22,OD	1	PC	SNA
1.3-2	DC61-01097A	BUSH-MOTOR	PA,NTR,PA66(2110R)	2	PC	SNA
G0029	DC97-15236F	ASSY SEMI TUB BACK	AEGIS3 BUBBLE,WF10634	1	PC	SA
G0048	DC97-16447E	ASSY TUB FRONT	SEINE PJT,WF702U2SAWQ/LE,	1	PC	SA
G0049	DC60-40144A	BOLT-HEX	SM10C,L35,ZPC2(YEL),M10,ZPC2(YE	2	PC	SA
G0049	DC60-40137A	BOLT-HEX	MARS-PJT,STS430,M8,P1.25,L30,HE	3	PC	SA
G0053	DC67-00526A	HOSE-AIR TUB	AEGIS3-PJT,EPDM,T2.8,BLK	1	PC	SA
G0054	DC63-10002M	ABSORBER SPONGE	PU-FOAM,T5,W60,L100	1	PC	SNA
M0005	DC61-70029C	SPRING-CLIP	SEW-HW125,HSWR,CD1.2,ID8.3,O	2	PC	SNA
M0028	DC69-00824A	PACKING-THERMISTOR	GW-PJT,EPDM,EPDM,-,W1	1	PC	SNA
M0038	DC91-12077G	ASSY CLAMP DIAPHRAGM	AEGIS,WF8500NHW/YLP	1	PC	SA
M0487	DC32-00010C	THERMISTOR	11982OHM AT 25□,-55~155,5,100	1	PC	SA
W0088	DC66-00500A	PULLEY-MOTOR	HEBA PJT,ALDC8,-,-,-,OD296.	1	PC	SA
W0138	6031-001632	WASHER-WAVE	SK5(SCP1),H2,ID30,OD33.8,T0.	1	PC	SNA
W0148	DC62-00008A	SEAL-OIL	NBR,BLK,NBU(PI15)	1	PC	SA
W0164	DC97-15185A	ASSY FLANGE SHAFT	AEGIS-PJT,6KG,-,1400RP	1	PC	SA
W0165	DC97-15187D	ASSY DRUM	BAIKAL-PJT,WF702Y4BKWQ/EG,1400	1	PC	SA
W0209	6602-002836	BELT-TIMING GEAR	1264J5,Elastic,3.2,104%	1	PC	SA
W0230	DC61-02199A	BRACKET-HEATER	AEGIS,STS430,T0.6,-,-,-,-	1	PC	SNA
W0231	DC67-00483A	WEIGHT-BALANCER(U)	AEGIS-PJT,CONCRETE,15	1	PC	SA
W0234	DC64-01664A	DOOR-DIAPHRAGM	AEGIS-PJT,EPDM,T1.5/T3.0,	1	PC	SA
W0237	DC47-00033A	HEATER-WASH	HEBA,SUS316L+CERAMIC COATING	1	PC	SA
W0437	DC67-00606A	HOSE-AIR	AEGIS 2A COMBO BUBBLE-PJT,EPDM,	1	PC	SA
W0437	DC67-00650A	HOSE-AIR	WF706P4SAWD/EG,EPDM,19.4,30.6,T	1	PC	SA
W0601	DC97-02412P	ASSY BOLT	AEGIS-PJT,ALL MODEL(WEIGHT-BAL	9	PC	SA
W0601	DC97-14263A	ASSY BOLT	HEBA-PJT,MOTOR/BOLT(M8)+WASHER	4	PC	SA
W0605	DC97-14637B	ASSY HOSE PRESSURE	AEGIS-PJT,-,-,-,-,-	1	PC	SA
W0608	DC91-12078D	ASSY WIRE DIAPHRAGM	HEBA-PJT,-,-,-,-,-	1	PC	SA
W0609	DC93-00015A	ASSY WIRE EARTH	AEGIS,5KG,230V/50HZ,EART	1	PC	SA
W0610	DC72-00001H	CLIP-RING	HEBA-PJT,HSWR,PI3.0,ID35,WHT,H	1	PC	SNA
W0610	DC65-60118H	CLIP-RING	HSWR,SEW-740DR,PI15	2	PC	SNA
W0610	DC65-60118R	CLIP-RING	AEGIS-PJT,HSWR,T3.0,ID37,WHT	1	PC	SA
W0610	DC65-60125B	CLIP-RING	HSWR,T2.4,PI25,YEL	2	PC	SNA
W0610	DC72-00001G	CLIP-RING	HEBA-PJT,HSWR,T2.4,ID49.5,W21.	1	PC	SNA
W0612	DC61-40348B	BRACKET-NUT	P1291,SBHG-R,T3,NO-PAINT	3	PC	SA
W0612	DC61-40348B	BRACKET-NUT	P1291,SBHG-R,T3,NO-PAINT	3	PC	SA
W0615	DC61-00219B	CLAMPER HOSE	SK5,WLSL1100A,ID24 OD26.4,Z	1	PC	SNA
W0615	DC61-01679B	CLAMPER HOSE	SEW-HFR167AR,SK5,-,T1.0/ID2	2	PC	SNA

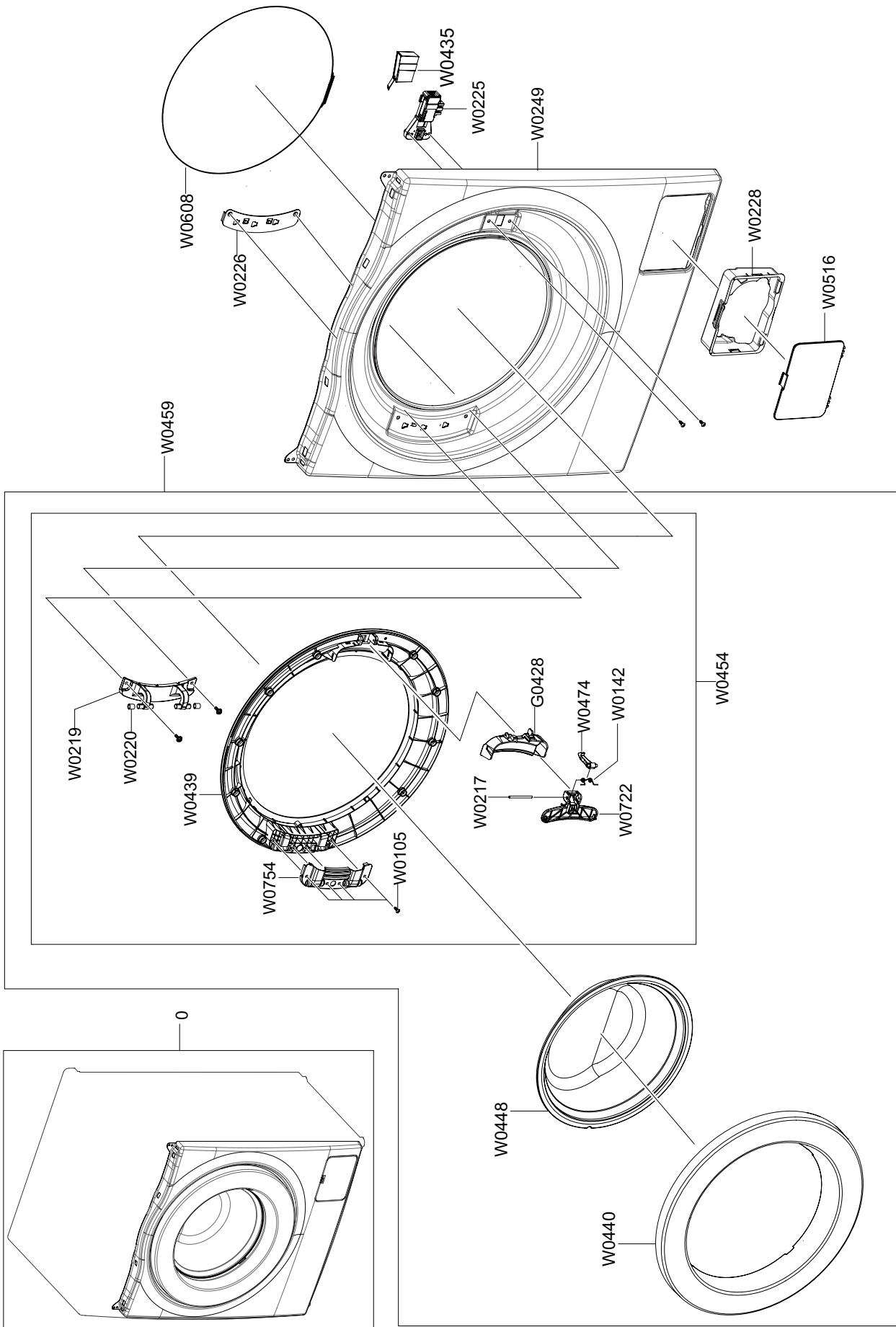
---

**MODEL CODE: WF706U4SAWQ/EF**Service Bom (**SA**: SERVICE AVAILABLE, **SNA**: SERVICE NOT AVAILABLE)

SVC Code	Code No.	Description	Specification	QTY	Un	SA/SNA
W0618	DC66-00531A	DAMPER-SHOCK	AEGIS-PJT,SBHG T1.0~2.0,70N	2	PC	SA
W0619	DC66-00523A	DRUM-LIFTER	AEGIS-PJT,PP-TI42,T2.5,L160.	3	PC	SA
W0624	DC67-00334A	HOSE-DRAWER TUB	AEGIS-PJT,EPDM,ID35,OD40	1	PC	SA
W0625	DC67-00335A	HOSE-FILTER TUB	AEGIS-PJT,EPDM,ID64.5,OD	1	PC	SA
W0632	DC61-03213A	TUB-FRONT	AEGIS 2A COMBO BUBBLE,FRPP,OD5	1	PC	SA
W0633	DC67-00610C	WEIGHT-BALANCER(F)	BAIKAL BLDC,CONCRETE,	2	PC	SA
W0636	DC97-16444E	ASSY SEMI TUB FRONT	SEINE PJT,WF702U2SAW	1	PC	SA
W0640	DC93-00247A	ASSY DD BLDC MOTOR	Arno,Volga,DWS600BL,F	1	PC	SA
W0725	DC67-00230D	HOSE-WATER	AEGIS-PJT,EPDM,ID4.5,OD8,T1.7	1	PC	SNA
W0726	DC61-02217C	TUB-BACK	AEGIS3 BUBBLE 6KG-1400,FRPP,ID5	1	PC	SA
W0740	DC62-40183B	PACKING-TUB	WF8500NHW,EPDM,T7.8,BLK,40.4	1	PC	SA
W0744	DC65-00021A	CLAMPER HOSE-JOINT	HEBA PJT,HSWR,-,ID74/	1	PC	SNA



# 1-4. ASS'Y FRAME FRONT

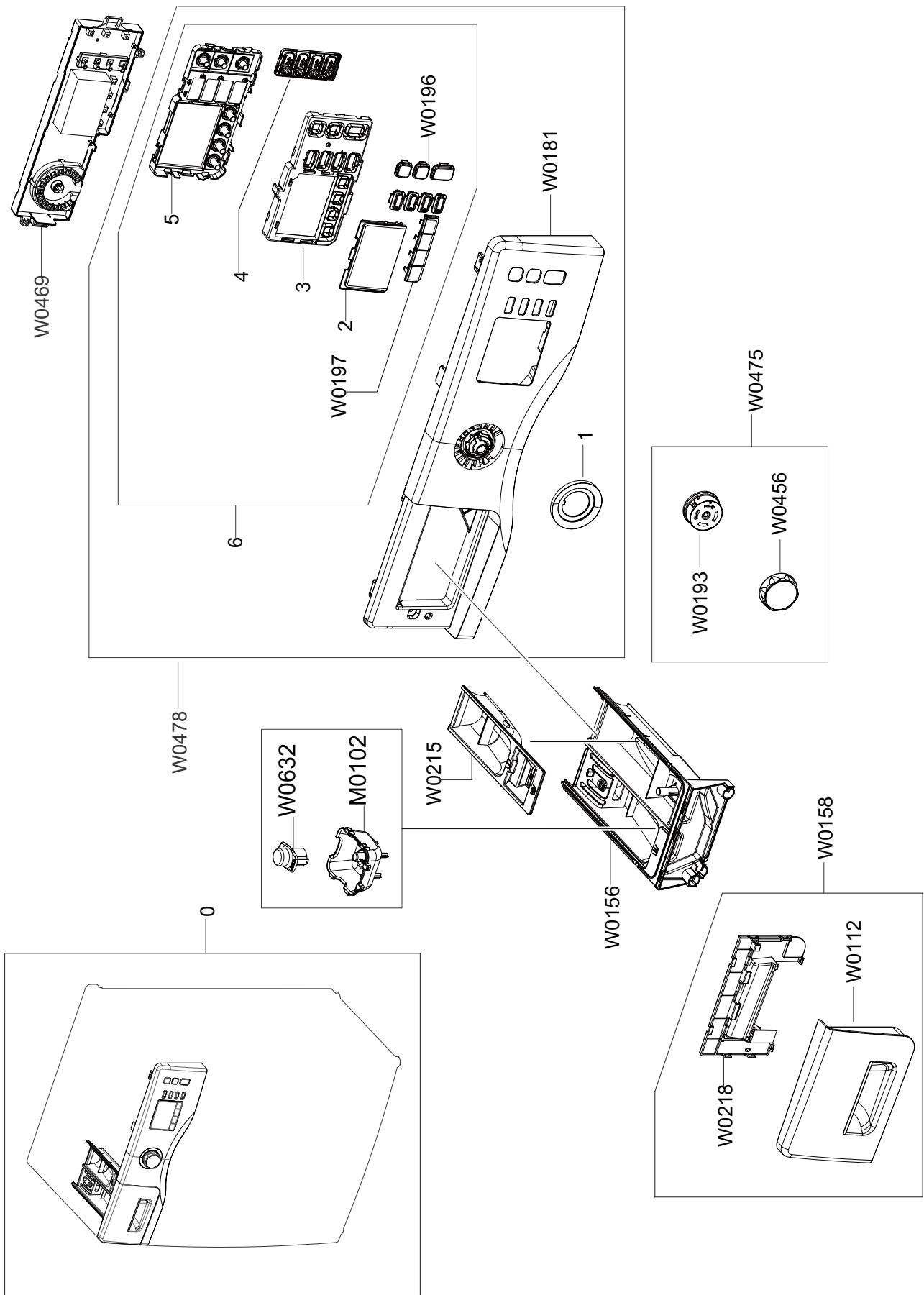


**MODEL CODE: WF706U4SAWQ/EF**

Service Bom (SA: SERVICE AVAILABLE, SNA: SERVICE NOT AVAILABLE)

SVC Code	Code No.	Description	Specification	QTY	Un	SA/SNA
G0428	DC63-00853A	COVER HANDLE	WF8804DP,ABS,T2.3,W54.9,L23	1	PC	SA
W0142	DC61-02027B	SPRING ETC-LEVER	WF8804DPA1,STAINLESS-ST	1	PC	SA
W0217	DC64-00564A	HANDLE-PIN	Q1636GW/XEU,STS,-,-,-,-,TS-	1	PC	SA
W0219	DC61-01910C	HINGE-DOOR	WD8754RJC/YL,ALDC,HEBA	1	PC	SA
W0220	DC61-00891A	GUIDE-HINGE	HAUZEN(DOM),POM,-,-,-,WHT,HI	4	PC	SA
W0225	DC64-01538A	DOOR-LOCK S/W	ZV-446L5,PA66,T19.5,W95,BL	1	PC	SA
W0226	DC61-01919A	BRACKET-HINGE	WF8804DP,GI,T1.4,W30,L161,	1	PC	SA
W0228	DC61-01917B	GUIDE-FILTER	WF8804DP,PP,T2.5,W300,L200,	1	PC	SA
W0249	DC61-03345A	FRAME-FRONT	SEINE,GI-SGCC,WHT,T0.8,W595,	1	PC	SA
W0435	DC63-00967A	COVER-DOOR SWITCH	AEGIS-PJT/ WF8500NHW,P	1	PC	SA
W0435	DC63-00967A	COVER-DOOR SWITCH	AEGIS-PJT/ WF8500NHW,P	1	PC	SA
W0439	DC61-01909B	HOLDER-GLASS	WF8804DPA,PP,T2.5,OD479.5,G	1	PC	SNA
W0440	DC63-01416A	COVER-DOOR	WF0904W8N,ABS,T2.5,D480,CR,SC	1	PC	SA
W0448	DC64-01521A	DOOR-GLASS	WF8804DP,NON-HeatTreatment GL	1	PC	SA
W0454	DC97-15375E	ASSY HOLDER GLASS	HEBA-COMBO,WD8804RJA,P	1	PC	SA
W0459	DC97-14343R	ASSY DOOR	SCOUT,WF0804Y8E1/XEF,ABS,T2.5,	1	PC	SNA
W0474	DC66-00497A	LEVER-DOOR	WF8804DP,ZNDC,T10,W10,L46,NI	1	PC	SA
W0516	DC63-01287A	COVER-FILTER	WF8804DPA,ABS,WHITE	1	PC	SA
W0608	DC91-12078D	ASSY WIRE DIAPHRAGM	HEBA-PJT,-,-,-,-	1	PC	SA
W0722	DC64-01524A	HANDLE DOOR	WF8804DP,ABS,T2.5,W43,L113,G	1	PC	SA
W0754	DC61-01915C	BRACKET-HOLDER	WD8754RJC/YL,GI-SGCC,T1.2	1	PC	SNA

# 1-5. PANEL-CONTROL & DRAWER

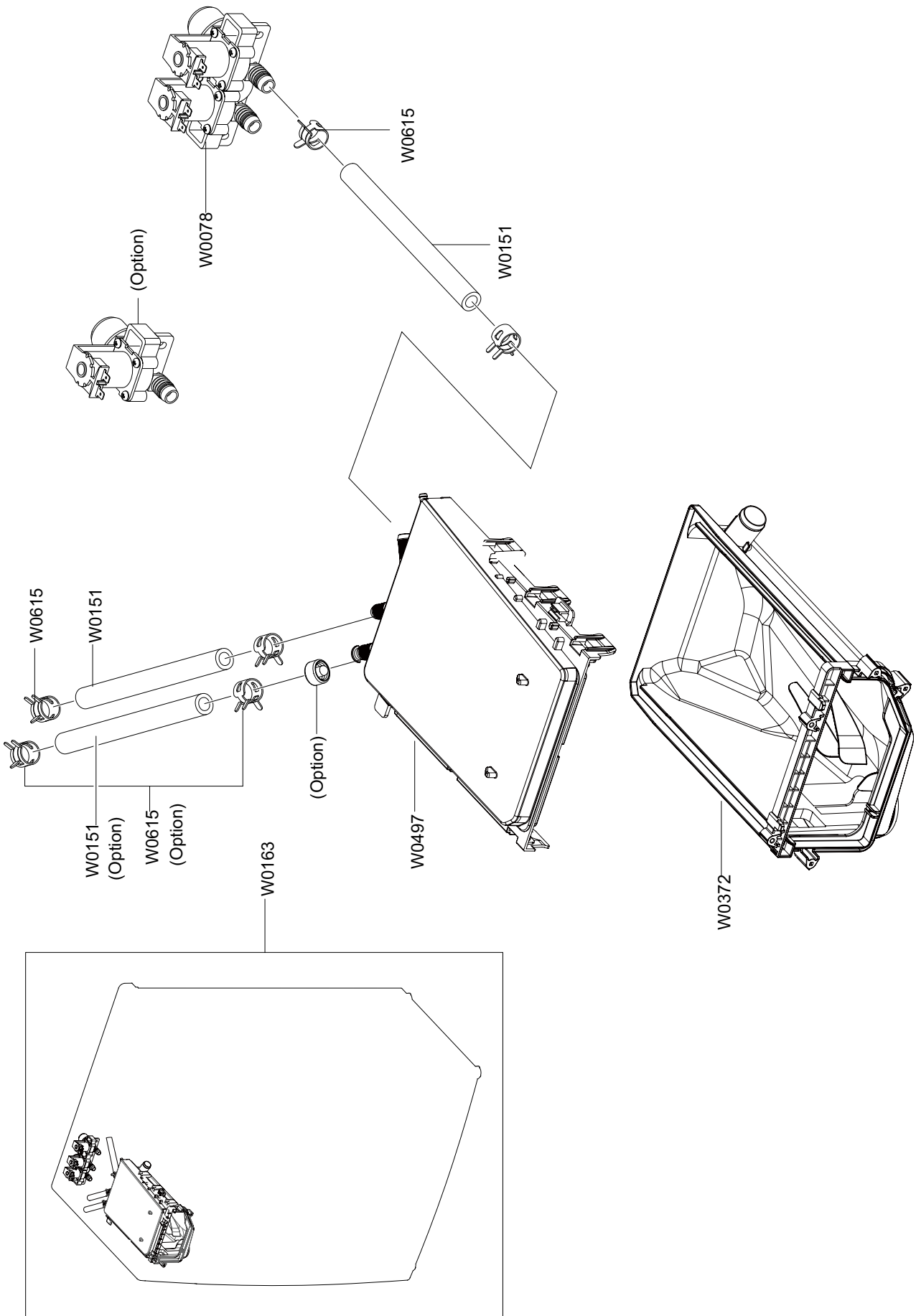


**MODEL CODE: WF706U4SAWQ/EF**

Service Bom (SA: SERVICE AVAILABLE, SNA: SERVICE NOT AVAILABLE)

SVC Code	Code No.	Description	Specification	QTY	Un	SA/SNA
1.5-1	DC64-02600A	WINDOW-ENCODER	WF1802XEC/YLP,PC,T1.5,GRA	1	PC	SNA
1.5-2	DC64-02595C	WINDOW-PANEL	SEINE,PC,T5.0,CLEAR,BEST	1	PC	SA
1.5-3	DC63-01308A	COVER-BUTTON(U)	WF1802XEC/YLP,ABS,T1.5,D	1	PC	SNA
1.5-4	DC64-02696A	DECORATION-BUTTON	WF1802XEC/YLP,ABS,T2.0	1	PC	SNA
1.5-5	DC63-01350A	COVER-BUTTON(L)	WF1802XEC/YLP,ABS,T2.0,D	1	PC	SNA
1.5-6	DC97-17064A	ASSY BUTTON	SEINE,WF906U4SAWQ,BEST,DA-WH	1	PC	SNA
M0102	DC61-02581C	GUIDE-LIQUID(M)	WF1802XEC,PP,T2.0,W61,L1	1	PC	SA
W0112	DC64-02790A	PANEL-DRAWER	SEINE,ABS,T2.5,W200.3,L132.	1	PC	SNA
W0156	DC61-03129A	BODY-DRAWER	WF1802XEC/YLP,PP,T2.0,WHT,VO	1	PC	SA
W0158	DC97-17095A	ASSY PANEL DRAWER	SEINE-PJT,WF701P2SAWQ/	1	PC	SA
W0181	DC64-02794A	PANEL-CONTROL	SEINE,ABS,3.0,W594,L81,H15	1	PC	SNA
W0193	DC64-01927B	KNOB-ENCODER	WF702Y4BKWQ/LP,ABS,T2.5,W49	1	PC	SNA
W0196	DC64-02593A	BUTTON-PUSH(F)	WF1802XEC/YLP,ABS,DA-WHIT	1	PC	SNA
W0197	DC64-02592K	BUTTON-PUSH(O)	WF906U4SAWQ/EF,ABS,S/META	1	PC	SNA
W0215	DC67-00452A	CAP-RINSE	WF0800NCE,PP,T2.0,W66.5,L219,E	1	PC	SNA
W0218	DC64-02791A	HANDLE-DRAWER	SEINE,ABS,T2.0,W181.0,L107	1	PC	SNA
W0456	DC64-02800A	DECORATION-ENCODER	BAIKAL-PJT,ABS,T2.5,N	1	PC	SNA
W0469	DC92-01057F	ASSY PCB SUB	seine best sub,BUBBLE,G LED	1	PC	SA
W0475	DC97-16996A	ASSY KNOB ENCODER	BAIKAL-PJT,WF702Y4BKWD	1	PC	SA
W0478	DC97-17092M	ASSY PANEL CONTROL	SEINE-PJT,WF706U4SAWQ	1	PC	SA
W0632	DC67-00524A	CAP-DRAWER	WF0804Y8E/XEF,PP,T2.0,W27,L43	1	PC	SA

# 1-6. ASS'Y HOUSING DRAWER



---

**MODEL CODE: WF706U4SAWQ/EF**Service Bom (**SA**: SERVICE AVAILABLE, **SNA**: SERVICE NOT AVAILABLE)

SVC Code	Code No.	Description	Specification	QTY	Un	SA/SNA
W0078	DC62-00024F	VALVE-WATER	B1215J,NYLON66/250TRMN,NTR,2	1	PC	SA
W0151	DC67-00051B	HOSE-DRAWER	Q1636GW/XEU,EPDM,ID9.0,OD14.	0.44	M	SNA
W0163	DC97-17029A	ASSY HOUSING DRAWER	SEINE-7KG,WF702U2SAW	1	PC	SA
W0372	DC61-03366A	HOUSING-DRAWER(L)	WF702U2SAWQ/LE,PP,T1.5	1	PC	SNA
W0497	DC97-16546A	ASSY S.HOUSING DRAWER	VOLGA-PJT,WF1802XE	1	PC	SNA
W0615	DC61-00219B	CLAMPER HOSE	SK5,WSLS1100A,ID24 OD26.4,Z	1	PC	SNA

---

## 1-7. PARTS LIST (OTHERS PARTS)

### MODEL CODE: WF706U4SAWQ/EF

Service Bom (SA: SERVICE AVAILABLE, SNA: SERVICE NOT AVAILABLE)

SVC Code	Code No.	Description	Specification	QTY	Un	SA/SNA
W0485	DC61-02118B	BRACKET-SPRING(L)	WF8600NMW,GI-SGCC,T1.2	1	PC	SA
W0085	6001-001773	SCREW-MACHINE	TH,+,-,M5,L12,PASS,STS430,	2	PC	SA
W0628	3501-001268	RELAY-POWER	12V,0.9W,25000mA,1FormA,20ms	2	PC	SA
W0110	DC60-60044B	WASHER-PLAIN	-,SBC,ID8.4/OD30,T2.0,-,-,-	4	PC	SA

## 1-8. SCREWS LIST

### MODEL CODE: WF706U4SAWQ/EF

Service Bom (SA: SERVICE AVAILABLE, SNA: SERVICE NOT AVAILABLE)

SVC Code	Code No.	Description	Specification	QTY	Un	SA/SNA
W0105	6002-000520	SCREW-TAPPING	TH,+,-,2,M4,L12,ZPC(WHT),S	4	PC	SNA
F0056	6003-001768	SCREW-TAPTYPE	TH,+WT,S,M4,L10,ZPC(WHT),	2	PC	SNA
W0105	6006-001174	SCREW-TAPPING	TH,+WE,2S,M4,L12,ZPC(WHT)	5	PC	SNA
W0105	6002-001327	SCREW-TAPPING	PWH,+1,M4,L12,ZPC(WHT),SW	4	PC	SNA
W0105	6006-001174	SCREW-TAPPING	TH,+WE,2S,M4,L12,ZPC(WHT)	2	PC	SNA
W0105	DE60-10080A	SCREW-TAPPING	PWH,+,-,2S,M5,L9,-,SWRCH18	2	PC	SNA
W0085	6001-001773	SCREW-MACHINE	TH,+,-,M5,L12,PASS,STS430,	2	PC	SA
W0105	6002-000471	SCREW-TAPPING	TH,+,-,1,M4,L12,PASS,STS30	2	PC	SNA
G0010	6003-000269	SCREW-TAPTYPE	BH,+,-,S,M3,L6,ZPC(WHT),SW	2	PC	SNA
W0105	6002-001436	SCREW-TAPPING	PH,+2,M4,L18,ZPC(WHT),SWR	3	PC	SNA
W0105	6002-000471	SCREW-TAPPING	TH,+,-,1,M4,L12,PASS,STS30	11	PC	SNA
W0105	6002-000445	SCREW-TAPPING	TH,+2,M4,L18,PASS,STS304	6	PC	SNA
W0105	6002-000520	SCREW-TAPPING	TH,+,-,2,M4,L12,ZPC(WHT),S	1	PC	SNA
W0105	6002-001327	SCREW-TAPPING	PWH,+1,M4,L12,ZPC(WHT),SW	2	PC	SNA
W0105	6006-001174	SCREW-TAPPING	TH,+WE,2S,M4,L12,ZPC(WHT)	5	PC	SNA
W0102	6009-001343	SCREW-SPECIAL	PH,TORX,M4,L10,ZPC(WHT),SW	1	PC	SNA
W0105	6002-000520	SCREW-TAPPING	TH,+,-,2,M4,L12,ZPC(WHT),S	1	PC	SNA
W0085	6001-000115	SCREW-MACHINE	BH,+,-,M3,L10,ZPC(WHT),SWR	2	PC	SNA
W0105	6002-000630	SCREW-TAPPING	PH,+NO,2S,M3,L8,ZPC(WHT),	3	PC	SNA
W0105	6002-001436	SCREW-TAPPING	PH,+2,M4,L18,ZPC(WHT),SWR	6	PC	SNA
W0105	6002-000520	SCREW-TAPPING	TH,+,-,2,M4,L12,ZPC(WHT),S	1	PC	SNA
W0105	6002-000520	SCREW-TAPPING	TH,+,-,2,M4,L12,ZPC(WHT),S	1	PC	SNA
G0425	6009-001367	SCREW-HEX	HWH,+,-,M6.5,L32,ZPC(WHT),SWRC	14	PC	SNA
W0105	6002-001006	SCREW-TAPPING	TH,+,-,2S,M4,L12,PASS,STS4	2	PC	SNA
F0056	6003-001768	SCREW-TAPTYPE	TH,+WT,S,M4,L10,ZPC(WHT),	1	PC	SNA