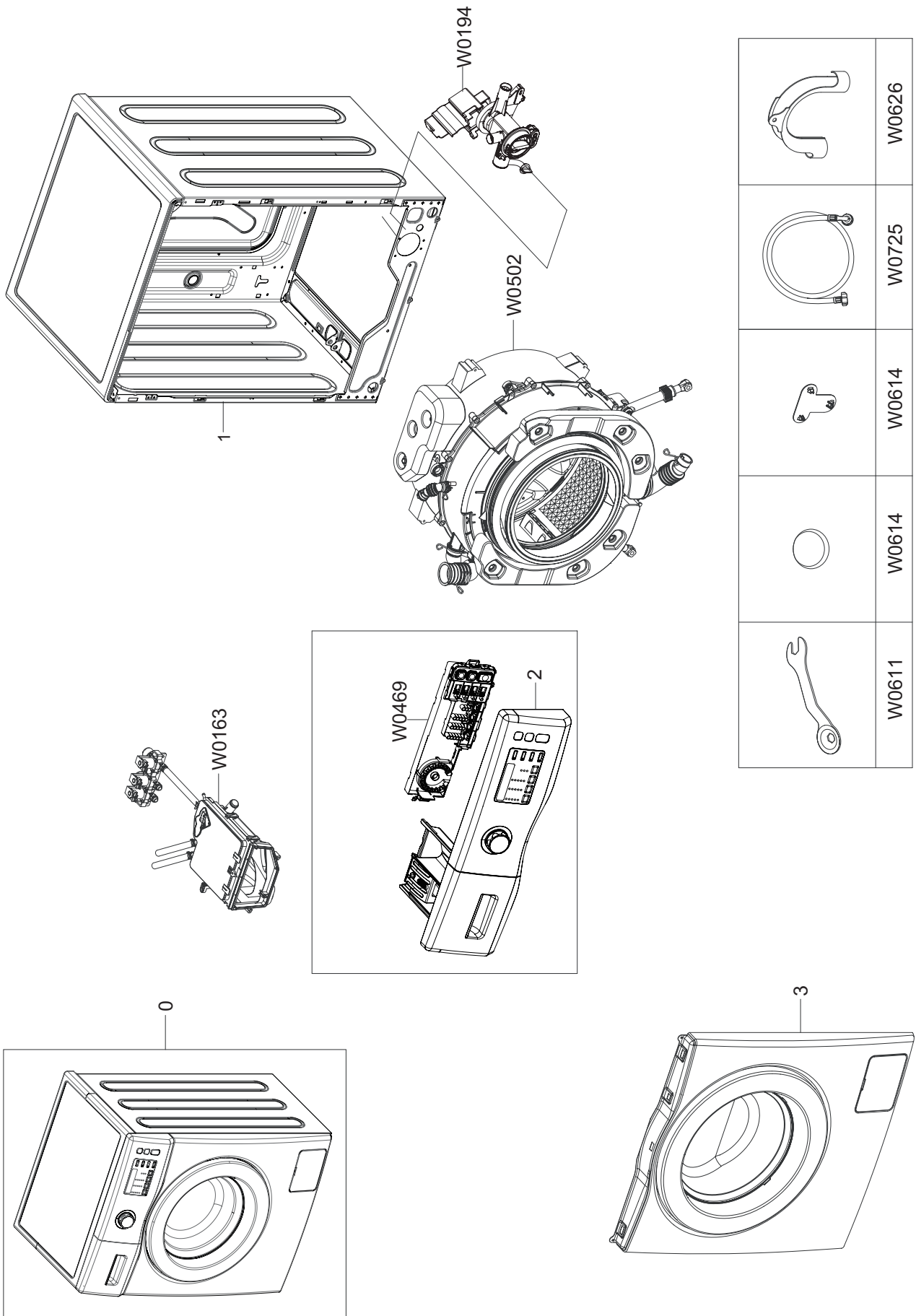


1-1. MAIN

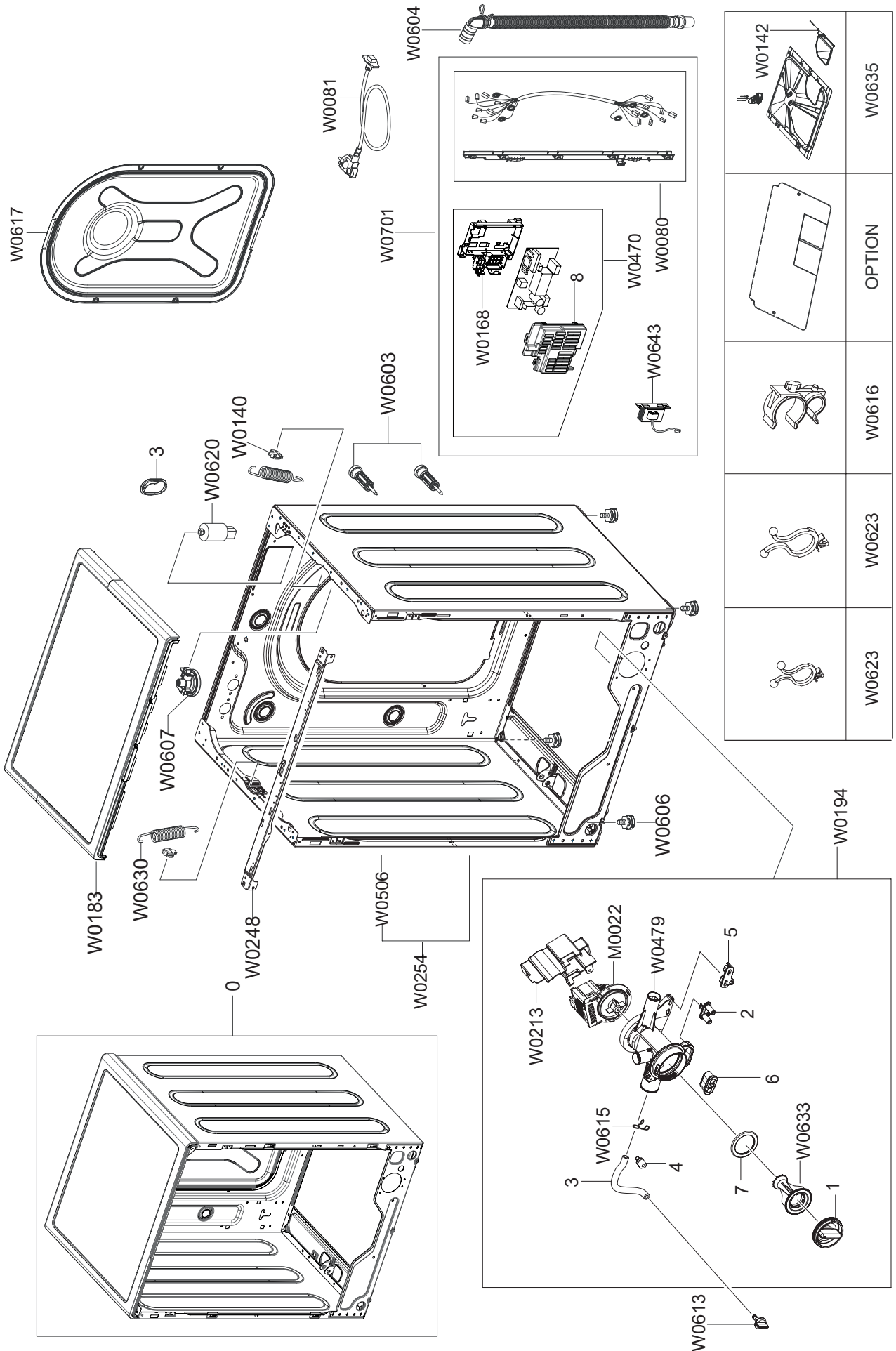


MODEL CODE: WF700B4BKWQ/EE

Service Bom (SA: SERVICE AVAILABLE, SNA: SERVICE NOT AVAILABLE)

SVC Code	Code No.	Description	Specification	QTY	Un	SA/SNA
W0194	DC97-15861B	ASSY PUMP DRAIN	AEGIS,WF8500NHW,220V/240	1	PC	SNA
W0163	DC97-15204Y	ASSY HOUSING DRAWER	AEGIS 3-PJT,WF10614Y	1	PC	SA
W0469	DC92-01073A	ASSY PCB SUB	BAIKAL PJT,WF702B4BKWD/EF,7	1	PC	SA
W0502	DC90-09994A	ASSY TUB&DRUM	BAIKAL_PJT,WF700B4BKWQ/EE	1	PC	SNA
W0611	DC60-40146A	BOLT-SPANER	-,CR,-,T2.5,OD36,-,-,-,-	1	PC	SA
W0614	DC67-00208A	CAP-FIXER	J1453GW/XEU,PP,T1.5,NTR	1	PC	SA
W0614	DC67-00251A	CAP-FIXER	SEW-6HR115B,PP,T1.83,W26.8,L34	4	PC	SA
W0626	DC62-10278A	HOSE-HANGER	PUMP MODEL,PP,BLK,RM60 RESIN	1	PC	SA
W0725	DC67-00230D	HOSE-WATER	AEGIS-PJT,EPDM,ID4.5,OD8,T1.7	1	PC	SNA
1.1-0		WF700B4BKWQ/EE				
1.1-1		FRAME&COVER PARTS	Refer to 2-0 Frame & Cover Parts			
1.1-2		PANEL CONTROL&PANEL DRAWER	Refer to 5-0 Control & Drawer			
1.1-3		ASSY FREME FRONT&ASSY DOOR	Refer to 4-0 Assy Frame Front			

1-2. FRAME & COVER PARTS



	W0635
	W0616
	W0623
	W0623
	OPTION

MODEL CODE: WF700B4BKWQ/EE

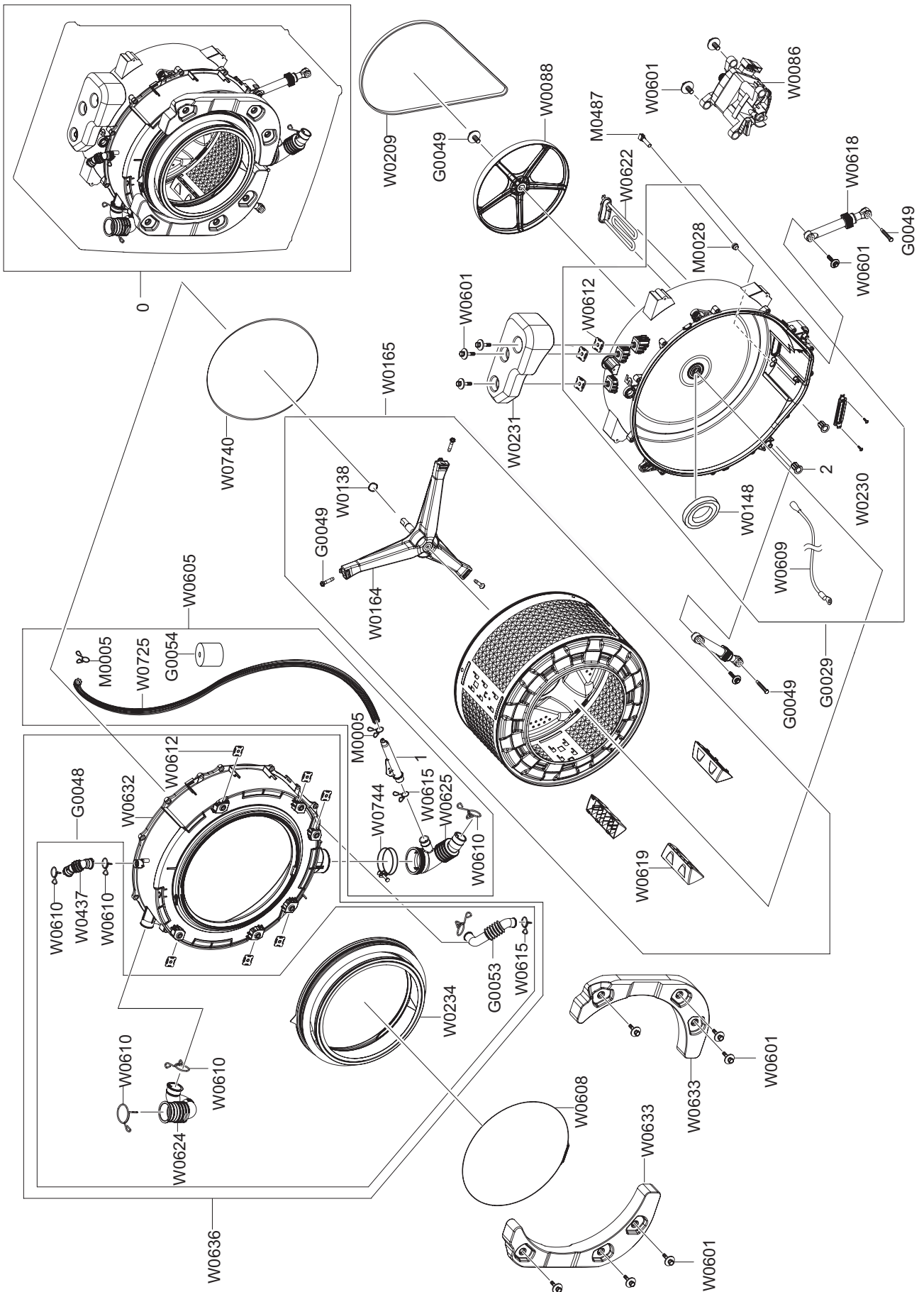
Service Bom (SA: SERVICE AVAILABLE, SNA: SERVICE NOT AVAILABLE)

SVC Code	Code No.	Description	Specification	QTY	Un	SA/SNA
W0617	DC63-00862C	COVER-BACK	WF8600NMW,GI-SGCC,T0.35,W352,	1	PC	SNA
M0022	DC31-00030A	PUMP-DRAIN	B20-6,220V,50Hz,-,HANYU	1	PC	SA
W0080	DC93-00318H	ASSY M.GUIDE WIRE HARNESS	BAIKAL,WF600B4	1	PC	SNA
W0081	DC96-00146A	ASSY POWER CORD	UCP2,250V/16A,-,1500/EUR	1	PC	SA
W0140	DC61-02140A	GUIDE-SPRING	WF8500NMW,POM,T3.5,W24,L40.	2	PC	SNA
W0142	DC61-02204A	SPRING ETC-LEVER	WF8500NHW,STAINLESS-ST5	1	PC	SNA
W0168	DC61-03240A	GUIDE-PCB	WF1602WQU/XSC,ABS,T2.0,NTR	1	PC	SNA
W0183	DC97-17025A	ASSY COVER TOP	Baikal-PJT 6kg,WOOD+ABS,5	1	PC	SA
W0194	DC97-15861B	ASSY PUMP DRAIN	AEGIS,WF8500NHW,220V/240	1	PC	SNA
W0213	DC63-00951A	COVER-PUMP	COVER-PUMP,PP,T2.5,W65,L140,V	1	PC	SA
W0248	DC61-03347A	FRAME-PLATE(U)	WF702U2BBSX/SC,GI-SGCC,NT	1	PC	SA
W0254	DC97-16608Z	ASSY PANIT FRAME	BAIKAL,WF600B4BKWQ/EF,D	1	PC	SA
W0470	DC92-01075A	ASSY PCB MAIN	BAIKAL PJT,WF702B4BKWD/EF,	1	PC	SA
W0479	DC61-02173A	CASE-PUMP	AEGIS,PP,T3.0,W167,L108,WHT,-	1	PC	SA
W0506	DC97-15138R	ASSY FRAME	BAIKAL,WF702Y4BKWQ/EN,DA-WHIT	1	PC	SNA
W0603	DC97-14794A	ASSY FIXER TUB	HEBA-PJT/7kg,WF8702LS,-,-	4	PC	SA
W0604	DC97-14291C	ASSY HOSE DRAIN(O)	Aegis-PJT,SSEC,-,L175	1	PC	SA
W0606	DC97-00920H	ASSY LEG	SEW-6HR128ATC,L65/BLK,L65,-,-,-	4	PC	SA
W0607	DC96-01703B	ASSY SENSOR PRESSURE	PURPLE PJT,PURPLE P	1	PC	SA
W0613	DC61-10673A	CAP-DRAIN	SWF-P12,PP,-,-,-,NTR,-	1	PC	SA
W0615	DC61-00219B	CLAMPER HOSE	SK5,WSLS1100A,ID24 OD26.4,Z	1	PC	SNA
W0616	DC61-00133A	CLAMPER HOSE-FIX	P1291,PP,ID24.5,OD29.5,	2	PC	SNA
W0620	DC29-00015G	FILTER EMI	LFT-215G,250V,15,53*53*97,50/	1	PC	SA
W0623	DC61-40081A	HOLDER-WIRE	DAWH-2NC,PA,NTR(PI19.4)	7	PC	SA
W0623	DE65-20026A	HOLDER-WIRE	PA,NTR,LOCK-TWIST/STAND/Y260	1	PC	SNA
W0630	DC61-02146A	SPRING ETC-HANGER	AEGIS-PJT,HSWR,CD3.5,I	2	PC	SA
W0635	DC97-15432D	ASSY COVER BOTTOM	AEGIS COMBO,WD0704CQR/	1	PC	SA
W0633	DC63-00865A	FILTER-PUMP	WF8804DP,PP,T1.7,W53,L66.95,	1	PC	SA
W0643	DC26-00009D	TRANS-REACTORV	SEW-3HR105,220V-240V,3A,2	1	PC	SA
W0142	DC61-02098A	SPRING ETC-LEVER	WF8500NHW,STAINLESS-ST5	1	PC	SA
W0701	DC92-01076D	ASSY PCB MAIN UNION	baikal pjt,WF702U2BB	1	PC	SNA
1.2-0		FRAME&COVER PARTS				
1.2-1	DC64-01317A	HANDLE-FILTER	HANDLE-FILTER,PP,T2.5,W55,	1	PC	SNA
1.2-2	DC61-02221A	GUIDE-CUSHION	AEGIS,FRPP,W20.3,L40.8,NTR	1	PC	SNA
1.2-3	DC67-00244M	HOSE DRAIN	AEGIS,EPDM,ID6,OD10,T2.0,L270	1	PC	SNA
1.2-4	DC63-00955A	PACKING-PUMP	AEGIS,EPDM,T4,W26.3,L13.2,H	1	PC	SNA

MODEL CODE: WF700B4BKWQ/EEService Bom (**SA**: SERVICE AVAILABLE, **SNA**: SERVICE NOT AVAILABLE)

SVC Code	Code No.	Description	Specification	QTY	Un	SA/SNA
1.2-5	DC63-00956A	CUSHION-PUMP(L)	AEGIS,BUTYL,T2.5,W42,L15	1	PC	SNA
1.2-6	DC63-00955A	PACKING-PUMP	AEGIS,EPDM,T4,W26.3,L13.2,H	1	PC	SNA
1.2-7	DC73-00022A	SEAL-PACKING	SEW-HVR149ATA,EPDM,BLK,40	1	PC	SNA
1.2-8	DC61-03351A	GUIDE-PCB(C)	BAIKAL-PJT,ABS,T2.5,NTR	1	PC	SNA

1-3. ASS'Y TUB DRUM



MODEL CODE: WF700B4BKWQ/EE

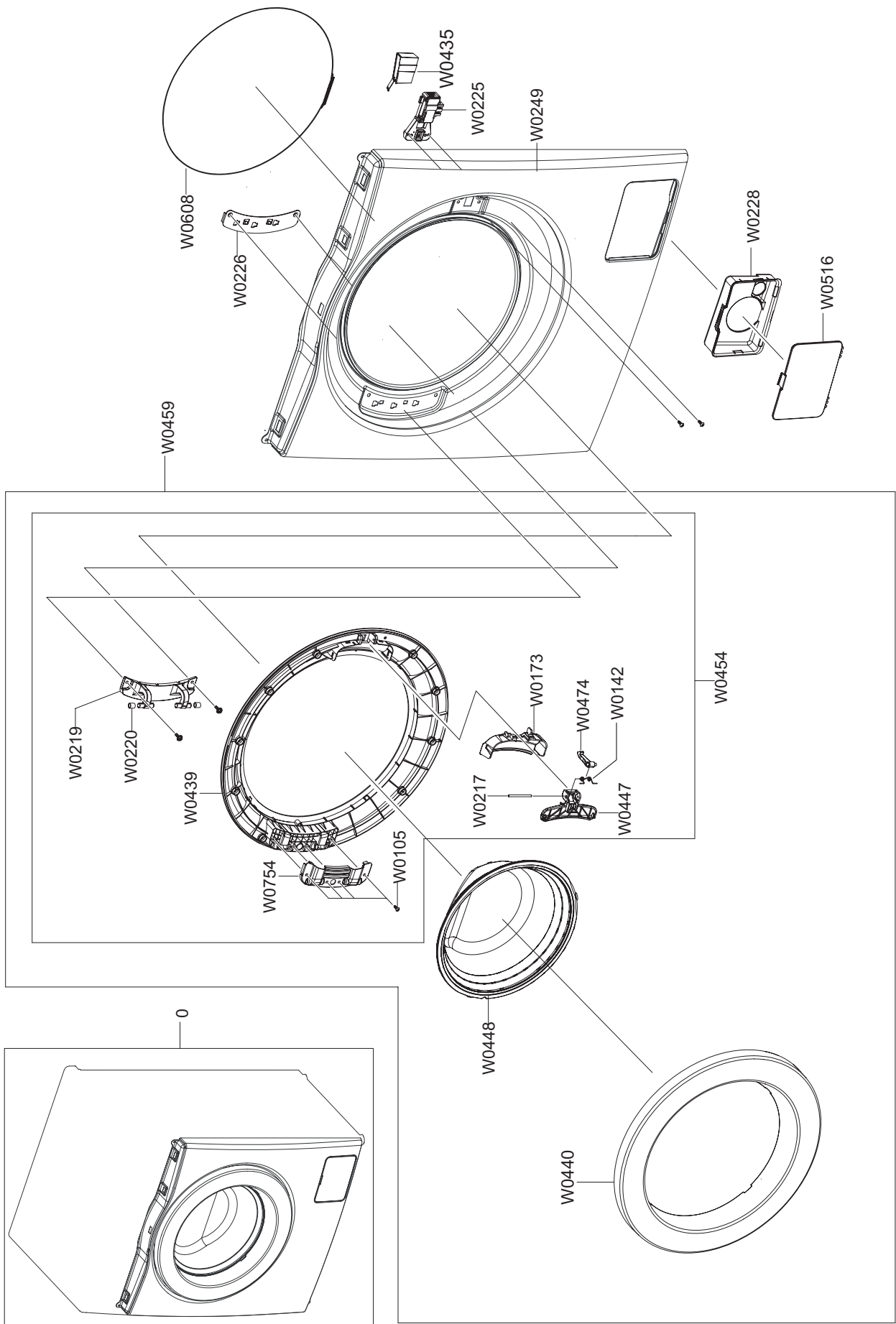
Service Bom (SA: SERVICE AVAILABLE, SNA: SERVICE NOT AVAILABLE)

SVC Code	Code No.	Description	Specification	QTY	Un	SA/SNA
G0029	DC97-15236B	ASSY SEMI TUB BACK	AEGIS-PJT,6205/6206,6	1	PC	SA
G0048	DC97-15413A	ASSY TUB FRONT	AEGIS,WF8600\WF8602,6.0KG	1	PC	SNA
G0049	DC60-40144A	BOLT-HEX	SM10C,L35,ZPC2(YEL),M10,ZPC2(YE	2	PC	SA
G0049	DC60-40137A	BOLT-HEX	MARS-PJT,STS430,M8,P1.25,L30,HE	3	PC	SA
G0054	DC63-10002M	ABSORBER SPONGE	PU-FOAM,T5,W60,L100	1	PC	SNA
M0005	DC61-70029C	SPRING-CLIP	SEW-HW125,HSWR,CD1.2,ID8.3,O	2	PC	SNA
M0028	DC69-00824A	PACKING-THERMISTOR	GW-PJT,EPDM,EPDM,-,W1	1	PC	SNA
M0038	DC91-12077G	ASSY CLAMP DIAPHRAGM	AEGIS,WF8500NHW/YLP	1	PC	SNA
M0487	DC32-00010C	THERMISTOR	11982OHM AT 25□,-55~155,5,100	1	PC	SA
W0086	DC93-00247A	ASSY DD BLDC MOTOR	Arno,Volga,DWS600BL,F	1	PC	SA
W0088	DC66-00500A	PULLEY-MOTOR	HEBA PJT,ALDC8,-,-,-,OD296.	1	PC	SA
W0138	6031-001632	WASHER-WAVE	SK5(SCP1),H2,ID30,OD33.8,T0.	1	PC	SNA
W0148	DC62-00008A	SEAL-OIL	NBR,BLK,NBU(PI15)	1	PC	SA
W0164	DC97-15185A	ASSY FLANGE SHAFT	AEGIS-PJT,6KG,-,1400RP	1	PC	SNA
W0165	DC97-15187D	ASSY DRUM	BAIKAL-PJT,WF702Y4BKWQ/EG,1400	1	PC	SA
W0209	6602-002836	BELT-TIMING GEAR	1264J5,Elastic,3.2,104%	1	PC	SA
W0230	DC61-02199A	BRACKET-HEATER	AEGIS,STS430,T0.6,-,-,-,-	1	PC	SNA
W0231	DC67-00483A	WEIGHT-BALANCER(U)	AEGIS-PJT,CONCRETE,15	1	PC	SA
W0234	DC64-01664A	DOOR-DIAPHRAGM	AEGIS-PJT,EPDM,T1.5/T3.0,	1	PC	SA
W0437	DC67-00355A	HOSE-AIR	AEGIS-PJT,EPDM,ID19.4,OD25.6,T1	1	PC	SNA
W0601	DC97-02412P	ASSY BOLT	AEGIS-PJT,ALL MODEL(WEIGHT-BAL	9	PC	SA
W0601	DC97-14263A	ASSY BOLT	HEBA-PJT,MOTOR/BOLT(M8)+WASHER	4	PC	SA
W0605	DC97-14637B	ASSY HOSE PRESSURE	AEGIS-PJT,-,-,-,-,-	1	PC	SA
W0608	DC91-12078E	ASSY WIRE DIAPHRAGM	AEGIS,WF8500NHW/YLP,	1	PC	SA
W0609	DC93-00015A	ASSY WIRE EARTH	AEGIS,5KG,230V/50HZ,EART	1	PC	SA
W0610	DC72-00001H	CLIP-RING	HEBA-PJT,HSWR,PI3.0,ID35,WHT,H	1	PC	SNA
W0610	DC65-60118R	CLIP-RING	AEGIS-PJT,HSWR,T3.0,ID37,WHT	1	PC	SA
W0610	DC65-60125B	CLIP-RING	HSWR,T2.4,PI25,YEL	2	PC	SNA
W0610	DC72-00001G	CLIP-RING	HEBA-PJT,HSWR,T2.4,ID49.5,W21.	1	PC	SNA
W0612	DC61-40348B	BRACKET-NUT	P1291,SBHG-R,T3,NO-PAINT	3	PC	SNA
W0612	DC61-40348B	BRACKET-NUT	P1291,SBHG-R,T3,NO-PAINT	3	PC	SNA
W0615	DC61-00219B	CLAMPER HOSE	SK5,WLSL1100A,ID24 OD26.4,Z	1	PC	SNA
W0618	DC66-00531A	DAMPER-SHOCK	AEGIS-PJT,SBHG T1.0~2.0,70N	2	PC	SA
W0619	DC66-00523A	DRUM-LIFTER	AEGIS-PJT,PP-TI42,T2.5,L160.	3	PC	SA
W0622	DC47-00033A	HEATER-WASH	HEBA,SUS316L+CERAMIC COATING	1	PC	SA
W0624	DC67-00334A	HOSE-DRAWER TUB	AEGIS-PJT,EPDM,ID35,OD40	1	PC	SA
W0625	DC67-00335A	HOSE-FILTER TUB	AEGIS-PJT,EPDM,ID64.5,OD	1	PC	SA
W0632	DC61-02085A	TUB-FRONT	AEGIS 5kg~6kg,FRPP,OD549,NTR,1	1	PC	SA

MODEL CODE: WF700B4BKWQ/EEService Bom (**SA**: SERVICE AVAILABLE, **SNA**: SERVICE NOT AVAILABLE)

SVC Code	Code No.	Description	Specification	QTY	Un	SA/SNA
W0633	DC67-00610C	WEIGHT-BALANCER(F)	BAIKAL BLDC, CONCRETE,	2	PC	SA
W0636	DC97-15414A	ASSY SEMI TUB FRONT	AEGIS, WF8600\WF8602,	1	PC	SA
W0725	DC67-00230D	HOSE-WATER	AEGIS-PJT, EPDM, ID4.5, OD8, T1.7	1	PC	SNA
W0740	DC62-40183A	PACKING-TUB	SWF-P12, Rubber, EPDM, BLK	1	PC	SA
W0744	DC65-00021A	CLAMPER HOSE-JOINT	HEBA PJT, HSWR, -, ID74/	1	PC	SNA
1.3-0	DC90-09994A	ASSY TUB&DRUM	BAIKAL_PJT, WF700B4BKWQ/EE	1	PC	SNA
1.3-1	DC67-00297A	HOSE-JOINT AIR	HEBA&Aegis-PJT, PP, ID22, OD	1	PC	SNA
1.3-2	DC61-01097A	BUSH-MOTOR	PA, NTR, PA66(2110R)	2	PC	SNA

1-4. ASS'Y FRAME FRONT

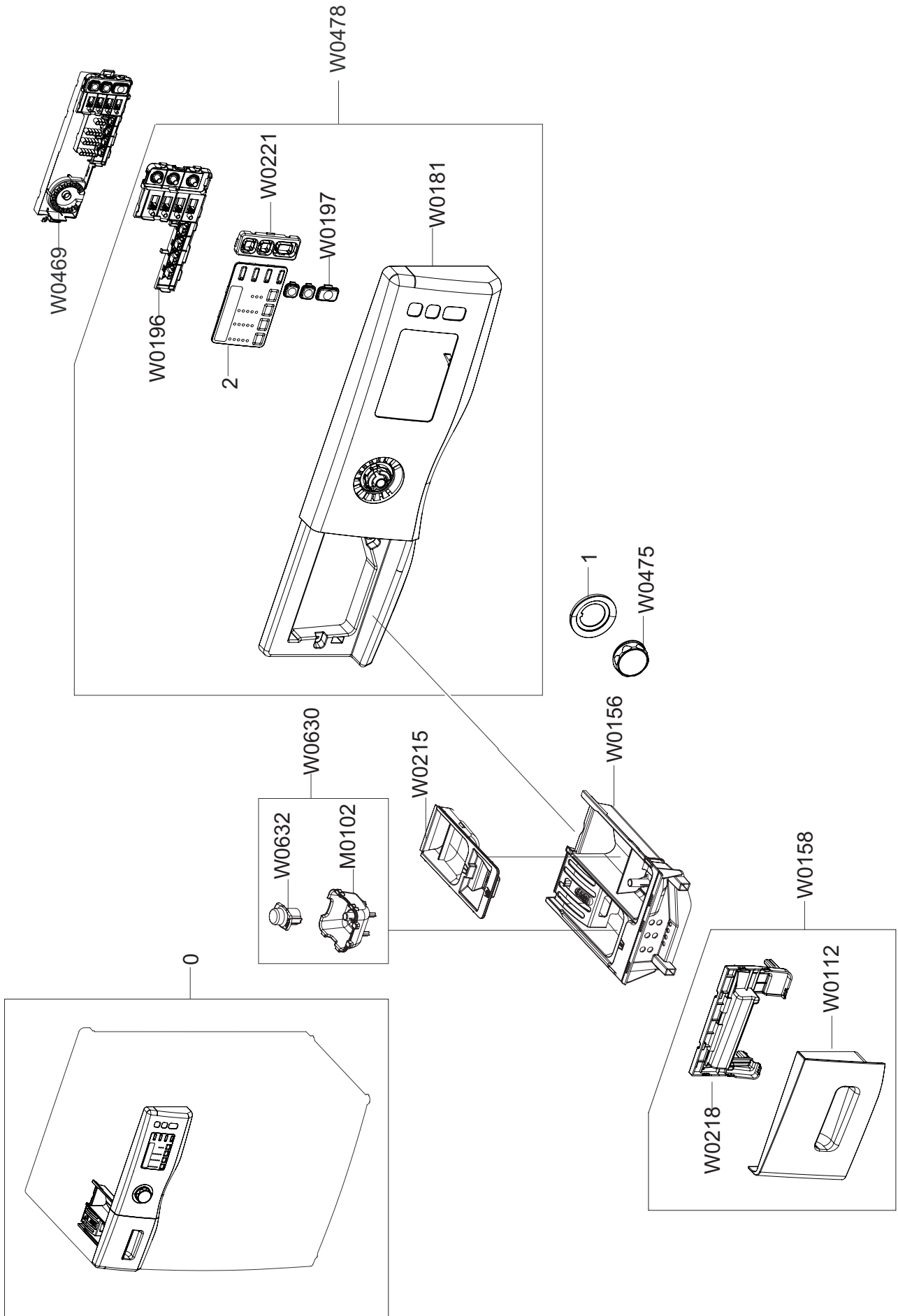


MODEL CODE: WF700B4BKWQ/EE

Service Bom (SA: SERVICE AVAILABLE, SNA: SERVICE NOT AVAILABLE)

SVC Code	Code No.	Description	Specification	QTY	Un	SA/SNA
W0226	DC61-02184A	BRACKET-HINGE	WF8500NHW,GI,T1.4,-,-,AE	1	PC	SA
W0435	DC63-00967A	COVER-DOOR SWITCH	AEGIS-PJT/ WF8500NHW,P	1	PC	SA
W0225	DC64-01538A	DOOR-LOCK S/W	ZV-446L5,PA66,T19.5,W95,BL	1	PC	SA
W0608	DC91-12078E	ASSY WIRE DIAPHRAGM	AEGIS,WF8500NHW/YLP,	1	PC	SA
W0459	DC97-15194H	ASSY DOOR	AEGIS-2,WF9592FRW,WHT(1PC)	1	PC	SNA
W0448	DC64-01790A	DOOR-GLASS	AEGIS,NON-HeatTreatment GLASS	1	PC	SA
W0440	DC63-00923K	COVER-DOOR	AEGIS,HIPS,T2.5,OD460,DA WHIT	1	PC	SA
W0435	DC63-00967A	COVER-DOOR SWITCH	AEGIS-PJT/ WF8500NHW,P	1	PC	SA
W0454	DC97-15192C	ASSY HOLDER GLASS	AEGIS-2,WF9592FQW,PP,T	1	PC	SA
W0220	DC61-00891A	GUIDE-HINGE	HAUZEN(DOM),POM,-,-,-,WHT,HI	2	PC	SA
W0439	DC61-02097A	HOLDER-GLASS	WF8500NHW,PP,T3.0,OD459.5,-	1	PC	SNA
W0142	DC61-02204A	SPRING ETC-LEVER	WF8500NHW,STAINLESS-ST5	1	PC	SNA
W0219	DC61-02099A	HINGE-DOOR	WF8500NHW,ALDC,T8.0,L155,AEGI	1	PC	SA
W0754	DC61-02100A	BRACKET-HOLDER	WF8500NHW,GI,T1.4,-,-,A	1	PC	SNA
W0173	DC63-00924A	COVER-HANDLE	WF8500NHW,ABS,T2.2,-,L115,-	1	PC	SNA
W0217	DC64-00564A	HANDLE-PIN	Q1636GW/XEU,STS,-,-,-,-,TS-	1	PC	SA
W0447	DC64-01948A	HANDLE-DOOR	WF9604SQR/XSC,POM,T2.0,L107,	1	PC	SA
W0474	DC66-00519A	LEVER-DOOR	WF8500NHW,ZNDC,T5.7,W14,L46,-	1	PC	SA
W0249	DC61-02785A	FRAME-FRONT	AEGIS-PJT,EGI-SECC,WHITE,T0.	1	PC	SA
W0516	DC63-00920G	COVER-FILTER	AEGIS ROUND,HIPS,T2.0,W150.	1	PC	SA
W0228	DC61-02090B	GUIDE-FILTER	WF8500NHW,PP,T2.5,W149.3,L1	1	PC	SA
1.4-0		ASSY FREME FRONT&ASSY DOOR				

1-5. PANEL-CONTROL & DRAWER

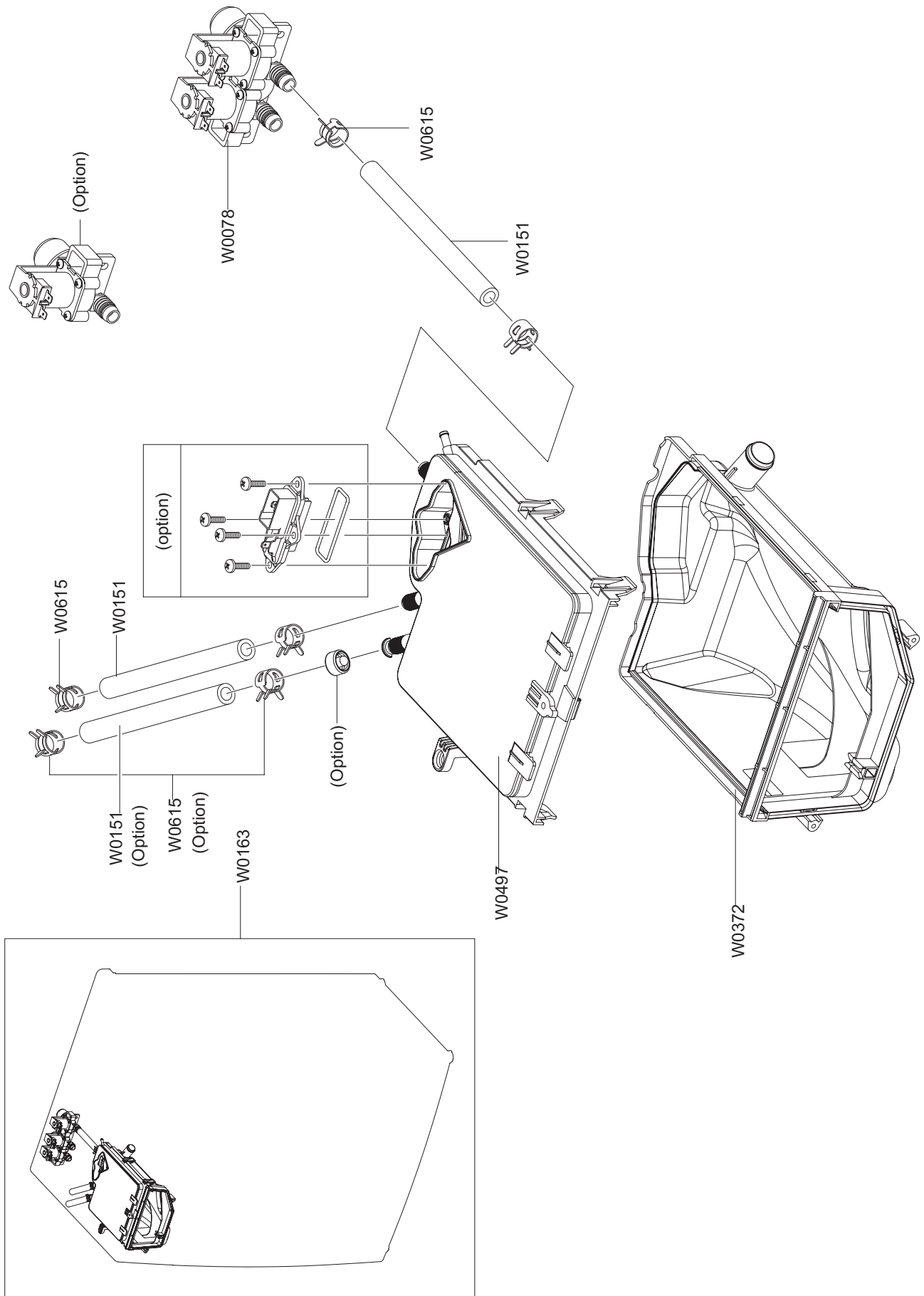


MODEL CODE: WF700B4BKWQ/EE

Service Bom (SA: SERVICE AVAILABLE, SNA: SERVICE NOT AVAILABLE)

SVC Code	Code No.	Description	Specification	QTY	Un	SA/SNA
M0102	DC61-02947A	GUIDE-LIQUID(M)	WF0702WKA,PP,T2.0,W69,L7	1	PC	SNA
W0112	DC64-02798A	PANEL-DRAWER	BAIKAL-PJT,ABS,T2.5,DA-WHIT	1	PC	SNA
W0156	DC61-02875A	BODY-DRAWER	T-PJT/STANDARD-TYPE,PP,T2.0,	1	PC	SA
W0158	DC97-17005A	ASSY PANEL DRAWER	BAIKAL-PJT,DA-WHITE	1	PC	SA
W0181	DC64-02795A	PANEL-CONTROL	BAIKAL-PJT,ABS,T3.0,DA-WHI	1	PC	SNA
W0197	DC64-02796A	BUTTON-PUSH(F)	BAIKAL-PJT,ABS,DA-WHITE	1	PC	SNA
W0196	DC63-01469A	COVER-BUTTON(L)	BAIKAL-PJT,ABS,T2.0,DA-W	1	PC	SNA
W0215	DC67-00525A	CAP-RINSE	AEGIS3,PP,T2.0,ECO BLUE,AEGIS3	1	PC	SA
W0218	DC64-02799A	HANDLE-DRAWER	BAIKAL-PJT,ABS,T2.5,DA-WHI	1	PC	SNA
W0221	DC63-01470A	COVER-BUTTON(U)	BAIKAL-PJT,ABS,T2.0,DA-W	1	PC	SNA
W0469	DC92-01073A	ASSY PCB SUB	BAIKAL PJT,WF702B4BKWD/EF,7	1	PC	SA
W0475	DC97-16996A	ASSY KNOB ENCODER	BAIKAL-PJT,WF702Y4BKWD	1	PC	SA
W0478	DC97-16994U	ASSY PANEL CONTROL	BAIKAL-PJT,WF700B4BKW	1	PC	SA
W0630	DC97-16434A	ASSY COVER DRAWER	AEGIS3,WF0702WKA/XSC,P	1	PC	SA
W0632	DC67-00524A	CAP-DRAWER	WF0804Y8E/XEF,PP,T2.0,W27,L43	1	PC	SA
1.4-5		FRAME&COVER PARTS				
1.5-1	DC64-02600A	WINDOW-ENCODER	WF1802XEC/YLP,PC,T1.5,GRA	1	PC	SNA
1.5-2	DC64-02797L	WINDOW-PANEL	WF700B4BKWQ/EE,ABS,T2.5,CLE	1	PC	SNA

1-6. ASS'Y HOUSING DRAWER



MODEL CODE: WF700B4BKWQ/EEService Bom (**SA**: SERVICE AVAILABLE, **SNA**: SERVICE NOT AVAILABLE)

SVC Code	Code No.	Description	Specification	QTY	Un	SA/SNA
W0163	DC97-15204Y	ASSY HOUSING DRAWER	AEGIS 3-PJT,WF10614Y	1	PC	SA
W0372	DC61-02105A	HOUSING-DRAWER(L)	WF8500NHW,PP(TB53),T1.	1	PC	SNA
W0078	DC62-00024F	VALVE-WATER	B1215J,NYLON66/250TRMN,NTR,2	1	PC	SA
W0615	DC61-00219B	CLAMPER HOSE	SK5,WSLS1100A,ID24 OD26.4,Z	1	PC	SNA
W0151	DC67-00051B	HOSE-DRAWER	Q1636GW/XEU,EPDM,ID9.0,OD14.	0.49	M	SNA
W0497	DC97-16404A	ASSY S.HOUSING DRAWER	AEGIS3,WF0602WQQ/X	1	PC	SNA

1-7. PARTS LIST (OTHERS PARTS)

MODEL CODE: WF700B4BKWQ/EE

Service Bom (SA: SERVICE AVAILABLE, SNA: SERVICE NOT AVAILABLE)

SVC Code	Code No.	Description	Specification	QTY	Un	SA/SNA
W0110	DC60-60044B	WASHER-PLAIN	-,SBC,ID8.4/OD30,T2.0,-,-,-	4	PC	SA
W0725	DC62-00079A	HOSE-WATER	P1405J,PVC+NYLON,L1500,GRY,AQ	1	PC	SC
W0085	6001-001773	SCREW-MACHINE	TH,+,-,M5,L12,PASS,STS430,	2	PC	SA

1-8. SCREWS LIST

MODEL CODE: WF700B4BKWQ/EE

Service Bom (SA: SERVICE AVAILABLE, SNA: SERVICE NOT AVAILABLE)

SVC Code	Code No.	Description	Specification	QTY	Un	SA/ SNA
W0105	6002-000445	SCREW-TAPPING	TH,+2,M4,L18,PASS,STS304	6	PC	SNA
W0105	6002-000520	SCREW-TAPPING	TH,+,-,2,M4,L12,ZPC(WHT),S	1	PC	SNA
W0105	6002-001327	SCREW-TAPPING	PWH,+1,M4,L12,ZPC(WHT),SW	2	PC	SNA
W0105	6006-001174	SCREW-TAPPING	TH,+WE,2S,M4,L12,ZPC(WHT)	7	PC	SNA
W0102	6009-001343	SCREW-SPECIAL	PH,TORX,M4,L10,ZPC(WHT),SW	1	PC	SNA
W0105	6002-000520	SCREW-TAPPING	TH,+,-,2,M4,L12,ZPC(WHT),S	2	PC	SNA
W0085	6001-000115	SCREW-MACHINE	BH,+,-,M3,L10,ZPC(WHT),SWR	2	PC	SNA
W0105	6002-000630	SCREW-TAPPING	PH,+NO,2S,M3,L8,ZPC(WHT),	3	PC	SNA
W0105	6002-001436	SCREW-TAPPING	PH,+2,M4,L18,ZPC(WHT),SWR	4	PC	SNA
W0105	6002-000520	SCREW-TAPPING	TH,+,-,2,M4,L12,ZPC(WHT),S	1	PC	SNA
W0105	6002-000520	SCREW-TAPPING	TH,+,-,2,M4,L12,ZPC(WHT),S	1	PC	SNA
G0425	6009-001367	SCREW-HEX	HWH,+,-,M6.5,L32,ZPC(WHT),SWRC	14	PC	SNA
W0105	6002-001006	SCREW-TAPPING	TH,+,-,2S,M4,L12,PASS,STS4	2	PC	SNA
F0056	6003-001768	SCREW-TAPTYPE	TH,+WT,S,M4,L10,ZPC(WHT),	1	PC	SNA
W0105	6002-000520	SCREW-TAPPING	TH,+,-,2,M4,L12,ZPC(WHT),S	4	PC	SNA
F0056	6003-001768	SCREW-TAPTYPE	TH,+WT,S,M4,L10,ZPC(WHT),	2	PC	SNA
W0105	6006-001174	SCREW-TAPPING	TH,+WE,2S,M4,L12,ZPC(WHT)	5	PC	SNA
W0105	6002-000632	SCREW-TAPPING	PH,+,-,2S,M4,L16,ZPC(WHT),	2	PC	SNA
W0105	6002-001327	SCREW-TAPPING	PWH,+1,M4,L12,ZPC(WHT),SW	4	PC	SNA
W0105	6006-001174	SCREW-TAPPING	TH,+WE,2S,M4,L12,ZPC(WHT)	2	PC	SNA
W0105	DE60-10080A	SCREW-TAPPING	PWH,+,-,2S,M5,L9,-,SWRCH18	2	PC	SNA
W0085	6001-001773	SCREW-MACHINE	TH,+,-,M5,L12,PASS,STS430,	2	PC	SA
W0105	6002-000471	SCREW-TAPPING	TH,+,-,1,M4,L12,PASS,STS30	2	PC	SNA
G0010	6003-000269	SCREW-TAPTYPE	BH,+,-,S,M3,L6,ZPC(WHT),SW	2	PC	SNA
W0105	6002-000471	SCREW-TAPPING	TH,+,-,1,M4,L12,PASS,STS30	10	PC	SNA
W0105	6002-001436	SCREW-TAPPING	PH,+2,M4,L18,ZPC(WHT),SWR	3	PC	SNA