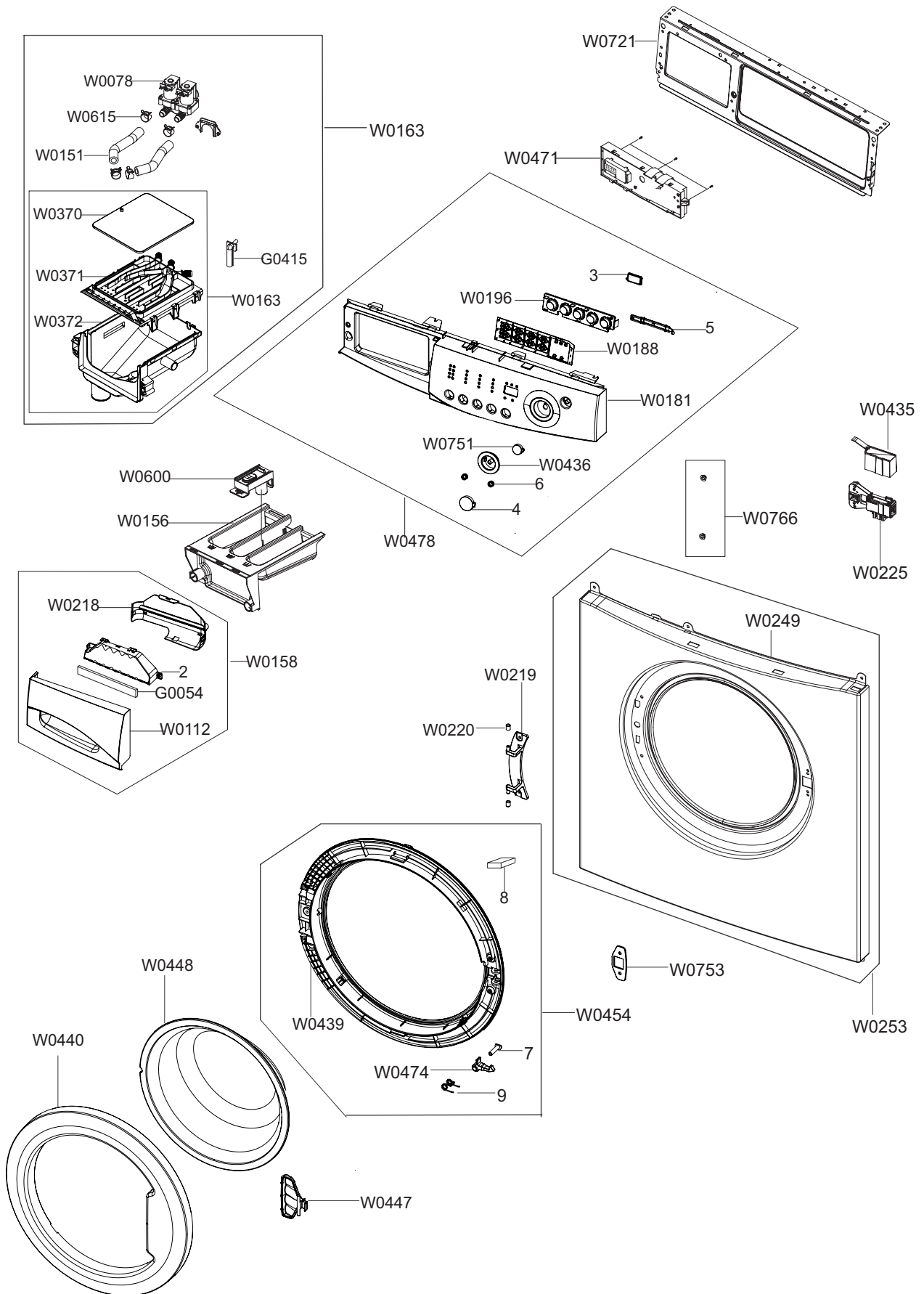


1. EXPLODED VIEWS AND PARTS LIST

1-1. EXPLODED VIEWS OF TOP(FRONT)



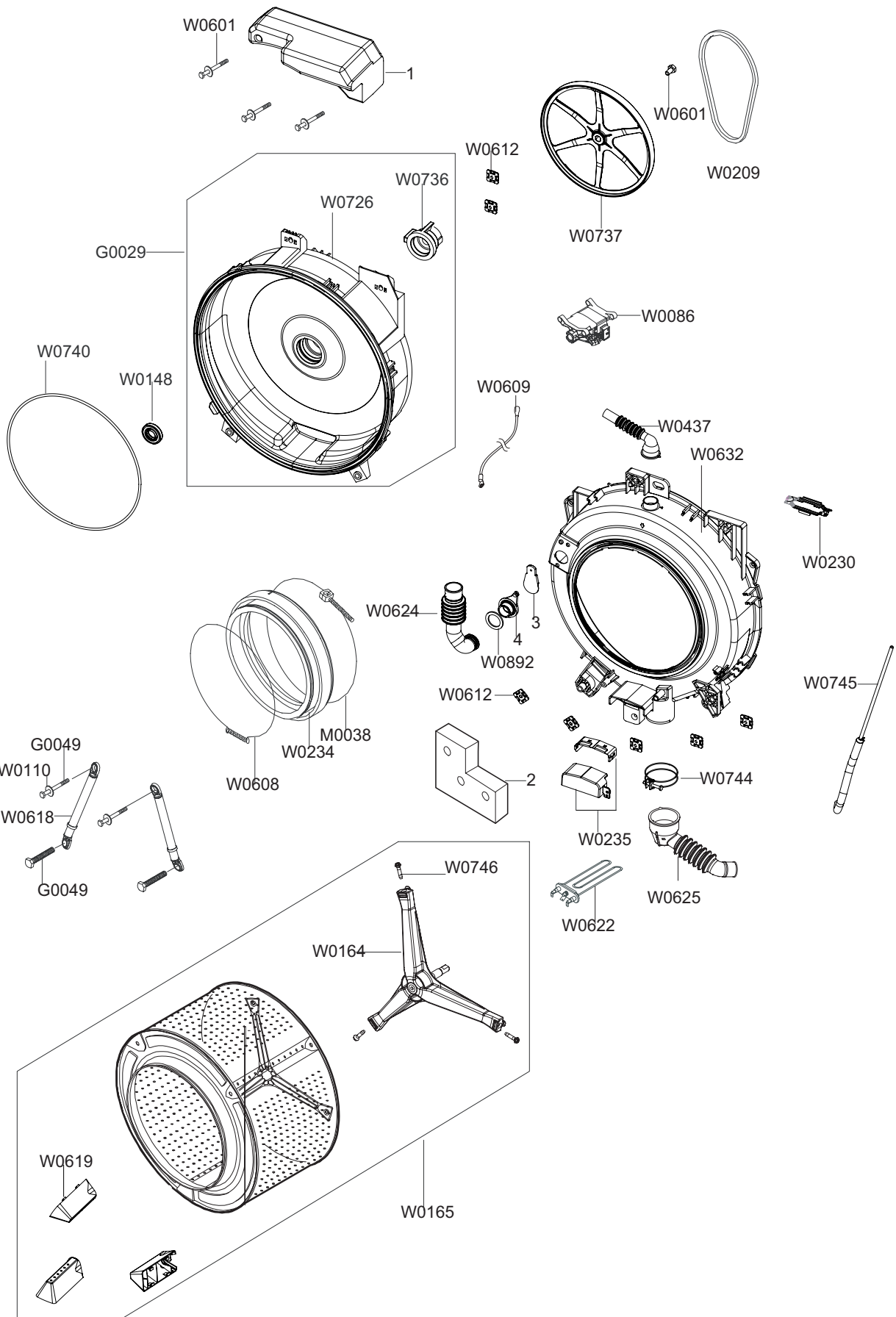
MODEL CODE: WF6700N1V/YAH

Service Bom (SA: SERVICE AVAILABLE, SNA: SERVICE NOT AVAILABLE)

SVC Code	Code No.	Description	Specification	QTY	Un	SA/SNA
G0054	DC63-10001T	ABSORBER SPONGE	SEW-3HR125,YOUNGBOARD,T1	1	PC	SNA
W0078	DC62-00024F	VALVE-WATER	B1215J,NYLON66/250TRMN,NTR,2	1	PC	SA
W0112	DC64-01176A	PANEL-DRAWER	TRIUMPH,ABS,T2.5,-,-,-,NEAT	1	PC	SNA
W0151	DC67-00051D	HOSE-DRAWER	S1093~S6093,EPDM,BLK,SLIM-PJ	0.44	M	SA
W0156	DC61-02138A	BODY-DRAWER	TRIUMPH/STANDARD-TYPE,PP,T2.	1	PC	SA
W0158	DC97-11122A	ASSY PANEL DRAWER	WF-F1061/YLP,4.5KG/RUS	1	PC	SA
W0163	DC97-11440D	ASSY HOUSING DRAWER	TRIUMPH J2 MODEL,COL	1	PC	SA
W0181	DC64-01175A	PANEL-CONTROL	TRIUMPH,ABS,2.5MM,-,-,-,NE	1	PC	SNA
W0188	DC64-01182A	DECORATION-LED	TRIUMPH,ABS,-,-,-,-,SMOKY	1	PC	SNA
W0196	DC64-01179A	BUTTON-PUSH(F)	TRIUMPH,ABS,-,-,-,NEAT-WHT,	1	PC	SNA
W0218	DC64-01192A	HANDLE-DRAWER	TRIUMPH,ABS,2.0,-,-,-,NEAT	1	PC	SA
W0219	DC61-01632A	HINGE-DOOR	SB-PJT,ZNDC,-,-,-,-,112 DEG	1	PC	SA
W0220	DC61-01633A	GUIDE-HINGE	CAT'S/TRIUMPH,POM,T0.9,WHT,H	2	PC	SA
W0225	DC64-00653A	DOOR-LOCK S/W	DA,PA6-G,-,H82,W50,-,BLK,2	1	PC	SA
W0248	DC61-01700A	FRAME-PLATE(U)	CAT'S 2-PJT,EGI,-,-,-,NTR,T	1	PC	SA
W0249	DC61-00056B	FRAME-FRONT	DANBY,EGI,-,-,-,NTR,T0.8,-,-,S	1	PC	SNA
W0253	DC97-00702W	ASSY FRAME FRONT	-,MID-PJT/T0.8,-,-,-,RO	1	PC	SA
W0370	DC61-01611B	HOUSING-DRAWER(U)	STANDART(B/P/J),PP(TB5	1	PC	SNA
W0371	DC61-01610B	HOUSING-DRAWER(M)	TRIUMPH/CATS2/VIEW-PJT	1	PC	SNA
W0372	DC61-01612A	HOUSING-DRAWER(L)	STANDARD(B/P/J),PP(TB5	1	PC	SNA
W0435	DC63-00741A	COVER-DOOR SWITCH	WF-R106NS,PP,T1.0,NATU	1	PC	SA
W0436	DC61-01575B	GUIDE-BUTTON	WF-C863,ABS(HB),SILVER,CR C	1	PC	SNA
W0439	DC61-01631A	HOLDER-GLASS	SB-PJT,ABS,-,-,-,NEAT-WHT,R	1	PC	SNA
W0440	DC63-00748B	COVER-DOOR	TRIUMPH-PJT,ABS,-,-,-,-,IMP	1	PC	SA
W0447	DC64-01492A	HANDLE-DOOR	ALL MODEL,POM,T3.0,-,-,-,WHT	1	PC	SA
W0448	DC61-20207A	DOOR-GLASS	Q1636GW/XEU,NON-HeatTreatment	1	PC	SA
W0454	DC97-07543B	ASSY HOLDER GLASS	-,WF-B1062,HOLDER+HING	1	PC	SA
W0474	DC66-00382A	LEVER-DOOR	S631,ZNDC,-,-,-,-,-	1	PC	SA
W0478	DC97-14118J	ASSY PANEL CONTROL	WF6700N1V,-,-,-,7.0KG/T	1	PC	SA
W0497	DC97-11419E	ASSY S.HOUSING DRAWER	TRIUMPH-PJT,COLD,B	1	PC	SNA
W0511	MFS-TRJ1NPH-00	ASSY PCB PARTS(M)	MFS-TRJ1NPH-00	1	PC	SA
W0600	DC61-02139A	STOPPER-DRAWER	STANDARD MODEL,PP-TD30,T2	1	PC	SA
W0615	DC61-01136A	CLAMPER HOSE	F1235J,SK5,T1.0/ID14.8,WHT	4	PC	SNA
W0751	DC64-01178A	BUTTON-PUSH(P)	TRIUMPM,ABS,-,-,-,NEAT-WHT,	1	PC	SNA
W0753	DC63-00450A	COVER-FRONT	S821,PP,T1.8,-,-,-,-,WHT,GUI	1	PC	SA

SVC Code	Code No.	Description	Specification	QTY	Un	SA/SNA
W0766	DD60-50018A	NUT-FLANGE	MSWR10,M5XP0.8,FZY	2	PC	SA
1.1-2	DC64-01180A	DECORATION-PANEL DRAWER	TRIUMPH,ABS,-,-,	1	PC	SNA
1.1-3	DC64-01177A	WINDOW-PANEL	TRIUMPH,ABS,T2.5,-,-,-,SMOK	1	PC	SNA
1.1-4	DC64-01181A	BUTTON-PUSH(S)	TRIUMPM,ABS,-,-,NEAT-WHT,	1	PC	SNA
1.1-5	DC66-00393A	LEVER-BUTTON(P)	P/R/F/SLIM,ABS,-,-,-,-,S	1	PC	SNA
1.1-6	DC61-00949A	SPRING-BUTTON	Q1636GW/XEU,-,-,-,-,-,-,-,	2	PC	SNA
1.1-7	DC61-60519A	GUIDE-BAR	SWF-P12,SHV-745CC1(SSEC),-,-,-	1	PC	SA
1.1-8	DC61-60044U	CUSHION-LID	SW10C1,SILICON,-,-,-,WHT,	1	PC	SNA
1.1-9	DC61-01065A	SPRING-HANDLE	SEW-HR805,STS304,CD1.0,-,-,O	1	PC	SA

1-2. EXPLODED VIEWS OF TUB



MODEL CODE: WF6700N1V/YAH

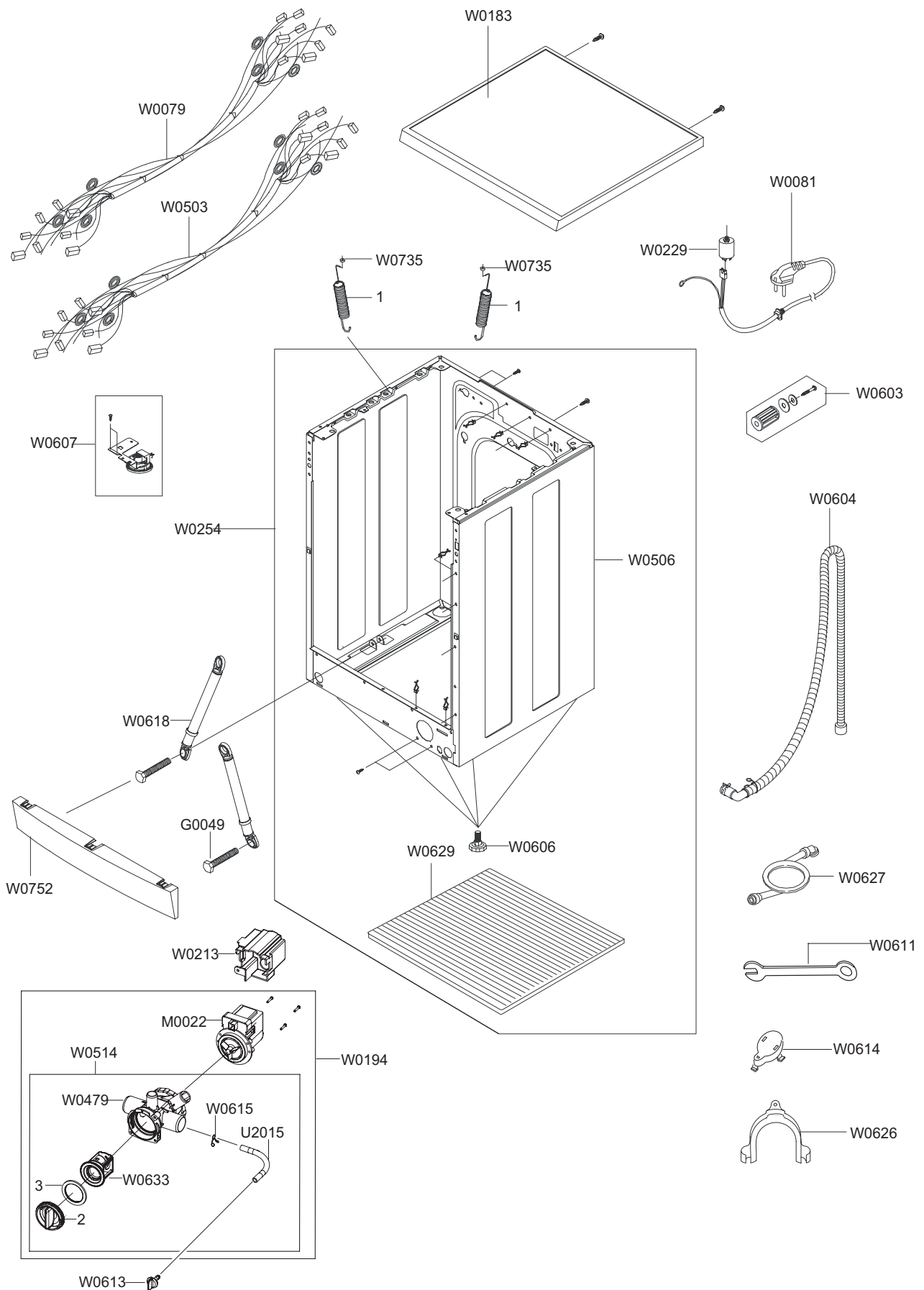
Service Bom (SA: SERVICE AVAILABLE, SNA: SERVICE NOT AVAILABLE)

SVC Code	Code No.	Description	Specification	QTY	Un	SA/SNA
G0029	DC97-10977P	ASSY SEMI TUB BACK	Q2-PJT,-,-,FRPP(GF15%	1	PC	SA
G0049	DC60-40141A	BOLT-HEX	SM10C/DAMPER,HEX,M8,L66,-,ZPC2(2	PC	SA
G0049	DC60-40144A	BOLT-HEX	SM10C,L35,ZPC2(YEL),M10,ZPC2(YE	2	PC	SA
M0038	DC91-12077D	ASSY CLAMP DIAPHRAGM	WF-B853/XSC,TUB,-,S	1	PC	SA
W0086	DC31-00002A	MOTOR UNIVERSAL- DRUM	MCC52/64-148/SEC2,1	1	PC	SA
W0110	DC60-60044A	WASHER-PLAIN	-,ID10.5,OD30,T3,-,STS304	2	PC	SA
W0148	DC62-00160A	SEAL-OIL	TS0-PJT,NBR(SD35),BLK,-,-,-,JIN	1	PC	SA
W0164	DC97-13539B	ASSY FLANGE SHAFT	JUMP2 Q2 PJT VE,-,-,12	1	PC	SNA
W0165	DC97-07372A	ASSY DRUM	Q1044,-,-,1000RPM,-,-	1	PC	SA
W0209	6602-001497	BELT-TIMING GEAR	-,RUBBER(GATES),T3.4,-,	1	PC	SA
W0230	DC61-01447A	BRACKET-HEATER	V7,STS430,T0.6mm,W30mm,L1	1	PC	SNA
W0234	DC61-20219E	DOOR-DIAPHRAGM	SEW-HW107,EPDM,-,-,-,GR	1	PC	SA
W0235	DC63-00651A	COVER-HEATER	Q1657TGW/XEU,GI,T0.4,-,-,-,	1	PC	SA
W0235	DC63-00845A	COVER-HEATER	ALL MODEL,ABS,T2.5,NTR,5VA	1	PC	SA
W0437	DC67-00205A	HOSE-AIR	ALL-MODEL,EPDM,ID16,OD33,T1.7,L	1	PC	SA
W0601	DC97-02412D	ASSY BOLT	Q1636,WEIHGT(U)/M8*L103,-,-,-,	1	PC	SA
W0601	DC97-02412K	ASSY BOLT	S-PJT,SK5/ID7.5/OD15.4/T2,-,-,-,	2	PC	SA
W0601	DC97-06080A	ASSY BOLT	SEW-3HR107,BOLT+WASHER,-,-,-,-	1	PC	SNA
W0608	DC91-12078A	ASSY WIRE DIAPHRAGM	SWF-P12,FRAME-FRONT,	1	PC	SA
W0609	DC96-00606A	ASSY WIRE EARTH	-,SEW-HW105,-,230MM,-,-	1	PC	SNA
W0612	DC61-40348B	BRACKET-NUT	P1291,SBHG-R,T3,NO-PAINT	5	PC	SA
W0612	DC61-40348B	BRACKET-NUT	P1291,SBHG-R,T3,NO-PAINT	2	PC	SA
W0618	DC66-00421A	DAMPER-SHOCK	F-PJT,FRICITION-DAMPER,-,-,-	2	PC	SA
W0619	DC66-00332A	DRUM-LIFTER	TS-2 PJT,PP(TI42)GRY,-,-,-,-	3	PC	SA
W0622	DC47-00013B	HEATER	-,Q2-PJT,-,2000W,8.7A,230,26,D1.3	1	PC	SA
W0624	DC67-00285A	HOSE-DRAWER TUB	JUMP2-MODEL,EPDM,ID40,OD	1	PC	SA
W0625	DC62-10304A	HOSE-FILTER TUB	EPDM,66,L151,BLK,SWF-P12	1	PC	SA
W0632	DC61-30346J	TUB-FRONT	P-PJT,FRPP-GF15%,-,-,NTR,SSEC	1	PC	SA
W0726	DC61-00922A	TUB-BACK	Q1435,FRPP-GF15%,ID512,OD530,NT	1	PC	SNA
W0736	DC97-10766A	ASSY HOUSING BEARING	Q2-PJT,6205/6206ZZ,	1	PC	SNA
W0737	DC66-00327A	PULLEY	Q1636GW/XEU,ALDC8,ID297.3,OD296.8	1	PC	SA
W0740	DC62-40183A	PACKING-TUB	SWF-P12,EPDM,-,-,-,-,BLK,-	1	PC	SA
W0744	DC61-60497A	CLAMPER HOSE- JOINT	SWF-P12,HSWR,-,ID70/O	1	PC	SA
W0745	DC62-10311A	HOSE-PRESSURE	-,EPDM,ID13.5,-,-,-,BLK,SW	1	PC	SA
W0746	6011-001491	BOLT-FLANGE	M8,L38.5,PASS,STS304,P1.25,H	3	PC	SNA

MODEL CODE: WF6700N1V/YAHService Bom (**SA**: SERVICE AVAILABLE, **SNA**: SERVICE NOT AVAILABLE)

SVC Code	Code No.	Description	Specification	QTY	Un	SA/SNA
W0892	DC62-00252A	SEAL-WASHER	JUMP2-MODEL,EPDM,NTR,T3.0,W4	1	PC	SNA
1.2-1	DC67-00284B	WEIGHT-BALANCE(U)	J2 MODEL VE,CONCRETE,T	1	PC	SA
1.2-2	DC67-00283B	WEIGHT-BALANCE(L)	J2 MODEL VE,CONCRETE,T	1	PC	SA
1.2-3	DC66-00439A	VANE-CHECK	ALL-MODEL,EPDM,-,-,BLK,-	1	PC	SNA
1.2-4	DC67-00286A	HOSE-JOINT	HOSE-JOINT,FRPP-GF25,T3.0,L28	1	PC	SNA

1-3. EXPLODED VIEWS OF CASE



MODEL CODE: WF6700N1V/YAH

Service Bom (SA: SERVICE AVAILABLE, SNA: SERVICE NOT AVAILABLE)

SVC Code	Code No.	Description	Specification	QTY	Un	SA/SNA
G0049	DC60-40144A	BOLT-HEX	SM10C,L35,ZPC2(YEL),M10,ZPC2(YE	2	PC	SA
M0022	DC31-30008D	PUMP-DRAIN	SW-70XP,220/240V,50Hz,SYNCHRO	1	PC	SA
U2015	DC67-00244K	HOSE-DRAIN	HEBA,EPDM,ID6,OD10,T2.0,L200,	1	PC	SNA
W0079	DC93-00085H	ASSY M. WIRE HARNESS	TRIUMPH,WF8700NAVU/	1	PC	SA
W0081	DC96-00146A	ASSY POWER CORD	UCP2,250V/16A,-,1500/EUR	1	PC	SA
W0183	DC97-11834B	ASSY COVER TOP	WF-J1062,-,MDF,-,-,NEAT-W	1	PC	SA
W0194	DC96-01336X	ASSY PUMP DRAIN	ALL,WF-F1061,220V 50Hz,A	1	PC	SNA
W0213	DC63-00951A	COVER-PUMP	COVER-PUMP,PP,T2.5,W65,L140,V	1	PC	SA
W0229	DC29-00005A	FILTER-EMI	P/PV-PJT,250V,15,D38*51(+BOLT	1	PC	SA
W0254	DC99-00644A	ASSY PAINT FRAME	JUMP2-PJT,J1453~J853/MI	1	PC	SA
W0479	DC61-01674E	CASE-PUMP	WF7600SUV/XEO,PP,T2.5,W65,L94,	1	PC	SA
W0503	DC96-01170A	ASSY WIRE HARNESS	TRIUMPH(A)-PJT /SUB,WF	1	PC	SA
W0506	DC97-05845B	ASSY FRAME	JUMP2-PJT,J1455A/J855A,AG+,-,	1	PC	SNA
W0514	DC97-15785A	ASSY CASE FILTER	TRIUMPH/CATS/TROIKA,GER	1	PC	SA
W0603	DC97-02106C	ASSY FIXER TUB	-,SEW-3HR105,L114.5,-,-,-	5	PC	SA
W0604	DC97-14291B	ASSY HOSE DRAIN(O)	UG-KT/TROIKA/GERMANY,	1	PC	SA
W0606	DC97-14289A	ASSY LEG	ALL MODEL,Φ39 NUT-HEX FLANGE,-,	4	PC	SA
W0607	DC97-00731A	ASSY SENSOR PRESSURE	P1091,S-PRE+BRACKET	1	PC	SA
W0611	DC60-40146A	BOLT-SPANER	-,CR,-,T2.5,OD36,-,-,-,-	1	PC	SA
W0613	DC61-10673A	CAP-DRAIN	SWF-P12,PP,-,-,-,WHT,-	1	PC	SA
W0614	DC61-10688A	CAP-FIXER	SWF-P12,PP,WHT,TB53	5	PC	SA
W0615	DD65-00001F	CLAMPER HOSE	HSWR,D10.5/T1.2	1	PC	SNA
W0618	DC66-00421A	DAMPER-SHOCK	F-PJT,FRICITION-DAMPER,-,-,-	2	PC	SA
W0626	DC62-10278A	HOSE-HANGER	PUMP MODEL,PP,BLK,RM60 RESIN	1	PC	SA
W0627	DC62-10289C	HOSE-WATER(C)	RUSSIA,PVC+NYLON,ID10.3,-,	1	PC	SA
W0629	DC64-00587A	SHUTTER	Q1636GW/XEU,DANPLA-BB110,WHT,PP(1	PC	SA
W0633	DC63-00743A	FILTER-PUMP	FILTER-PUMP,POM,T2.0,W55,L48	1	PC	SNA
W0735	DC61-60180A	SLEEVE-PLUG	SEW-720DR,NTR	2	PC	SA
W0752	DC63-00625A	COVER-FRONT(L)	SEW-DR803BT,PP,-,-,-,-,-,	1	PC	SA
1.3-1	DC61-00952A	SPRING-HANGER	SEW-3HR105,HSWR,CD3.5,-,OD	2	PC	SA
1.3-2	DC64-01317A	HANDLE-FILTER	HANDLE-FILTER,PP,T2.5,W55,	1	PC	SNA
1.3-3	DC73-00020A	SEAL-PACKING	RUBBER-PACKING,EPDM,BLK,D55	1	PC	SNA

1-4. PARTS LIST (OTHERS PARTS)

MODEL CODE: WF6700N1V/YAH

Service Bom (SA: SERVICE AVAILABLE, SNA: SERVICE NOT AVAILABLE)

SVC Code	Code No.	Description	Specification	QTY	Un	SA/SNA
W0085	6001-001773	SCREW-MACHINE	TH,+,-,M5,L12,PASS,STS430,	2	PC	SA
W0610	DC65-60118K	CLIP-RING	HSWR,PI2.0,ID18,OD22,YEL	1	PC	SA
W0616	DC61-00133A	CLAMPER HOSE-FIX	P1291,PP,ID24.5,OD29.5,	1	PC	SA
W0617	DC63-00414B	COVER-BACK	SEW-3HR103BT,GI,T0.4,-,-,-,-,	1	PC	SA
W0750	DC60-60040A	FASTENER-WASHER	-,ID10.5,OD32,T2,-,PBSP-	5	PC	SA
W0110	DC60-60044B	WASHER-PLAIN	-,SBC,ID8.4/OD30,T2.0,-,-,-	5	PC	SA
W0614	DC67-00208A	CAP-FIXER	J1453GW/XEU,PP,T1.5,NTR	1	PC	SA
W0623	DC61-40081A	HOLDER-WIRE	DAWH-2NC,PA,NTR(PI19.4)	5	PC	SA
W0616	DC61-00133A	CLAMPER HOSE-FIX	P1291,PP,ID24.5,OD29.5,	1	PC	SA
W0654	DC60-00018A	RIVET-PLATE	-,MSWR,D3.9,-,-,L30,WHT,-,-	4	PC	SA
W0612	DC61-00201A	BRACKET-NUT	P1291,SBHG-R,T3,NO-PAINT/MOT	1	PC	SA
W0739	DC61-60499B	CLIP-TUB	HSWR,P1291,-,NO/PAINT,	8	PC	SA
W0739	DC61-60520A	CLIP-TUB	SK5,SWF-P12,-,PLATE-TYPE,	2	PC	SA
W0742	DC61-10676A	CAP-TRAP	SWF-P12,PP(TB53),-,-,-,-,-,	1	PC	SA
W0615	DC61-60359E	CLAMPER HOSE	F1235AS/F1035AS,SK5,-,ID7.8	1	PC	SA
G0054	DC63-10003C	ABSORBER SPONGE	SWF-P12,PU-FOAM,GRY	1	PC	SA
W0610	DC65-60118P	CLIP-RING	WF-F105AV,HSWR,T2.6,WHT,ID31	1	PC	SA
W0615	DC65-00019A	CLAMPER HOSE	DRUM W/M,SK5,D34/H4/T1.5	2	PC	SA
W0601	DC97-02412N	ASSY BOLT	J1045AVW1/XSA,M8*L103/ZPC/BLK+	2	PC	SA

1-5. SCREW LISTS

MODEL CODE: WF6700N1V/YAH

Service Bom (SA: SERVICE AVAILABLE, SNA: SERVICE NOT AVAILABLE)

SVC Code	Code No.	Description	Specification	QTY	Un	SA/SNA
F0056	6003-001768	SCREW-TAPTYPE	TH,+,WT,S,M4,L10,ZPC(WHT),	4	PC	SNA
F0056	6003-001768	SCREW-TAPTYPE	TH,+,WT,S,M4,L10,ZPC(WHT),	1	PC	SNA
W0085	6001-001773	SCREW-MACHINE	TH,+,-,M5,L12,PASS,STS430,	2	PC	SA
W0102	6009-001342	SCREW-SPECIAL	TH,+,-,M5,L11,ZPC(WHT),SWR	2	PC	SNA
W0102	6009-001343	SCREW-SPECIAL	PH,TORX,M4,L10,ZPC(WHT),SW	1	PC	SNA
W0105	6002-000471	SCREW-TAPPING	TH,+,-,1,M4,L12,PASS,STS30	7	PC	SNA
W0105	6002-000445	SCREW-TAPPING	TH,+,2,M4,L18,PASS,STS304	3	PC	SNA
W0105	6006-001174	SCREW-TAPPING	TH,+,WE,2S,M4,L12,ZPC(WHT)	3	PC	SNA
W0105	6002-000630	SCREW-TAPPING	PH,+,NO,2S,M3,L8,ZPC(WHT),	2	PC	SNA
W0105	6002-000445	SCREW-TAPPING	TH,+,2,M4,L18,PASS,STS304	2	PC	SNA
W0105	6002-001327	SCREW-TAPPING	PWH,+,1,M4,L12,ZPC(WHT),SW	2	PC	SNA
W0105	6002-000520	SCREW-TAPPING	TH,+,-,2,M4,L12,ZPC(WHT),S	9	PC	SNA
W0105	6002-001006	SCREW-TAPPING	TH,+,-,2S,M4,L12,PASS,STS4	2	PC	SNA
W0105	6006-001174	SCREW-TAPPING	TH,+,WE,2S,M4,L12,ZPC(WHT)	13	PC	SNA
W0105	6002-001006	SCREW-TAPPING	TH,+,-,2S,M4,L12,PASS,STS4	1	PC	SNA
W0105	6002-000239	SCREW-TAPPING	TH,+,NO,2S,M4,L8,ZPC(WHT),	2	PC	SNA
W0105	6002-001436	SCREW-TAPPING	PH,+,2,M4,L18,ZPC(WHT),SWR	1	PC	SNA
W0105	6002-001436	SCREW-TAPPING	PH,+,2,M4,L18,ZPC(WHT),SWR	3	PC	SNA
W0105	6006-001174	SCREW-TAPPING	TH,+,WE,2S,M4,L12,ZPC(WHT)	2	PC	SNA
W0105	6002-001327	SCREW-TAPPING	PWH,+,1,M4,L12,ZPC(WHT),SW	6	PC	SNA
W0105	6002-000444	SCREW-TAPPING	TH,+,2,M4,L14,PASS,STS430	2	PC	SNA
W0105	6002-000520	SCREW-TAPPING	TH,+,-,2,M4,L12,ZPC(WHT),S	2	PC	SNA
W0105	6002-001006	SCREW-TAPPING	TH,+,-,2S,M4,L12,PASS,STS4	3	PC	SNA
W0105	6002-001327	SCREW-TAPPING	PWH,+,1,M4,L12,ZPC(WHT),SW	1	PC	SNA
W0105	6002-000471	SCREW-TAPPING	TH,+,-,1,M4,L12,PASS,STS30	3	PC	SNA
W0105	6002-001006	SCREW-TAPPING	TH,+,-,2S,M4,L12,PASS,STS4	1	PC	SNA