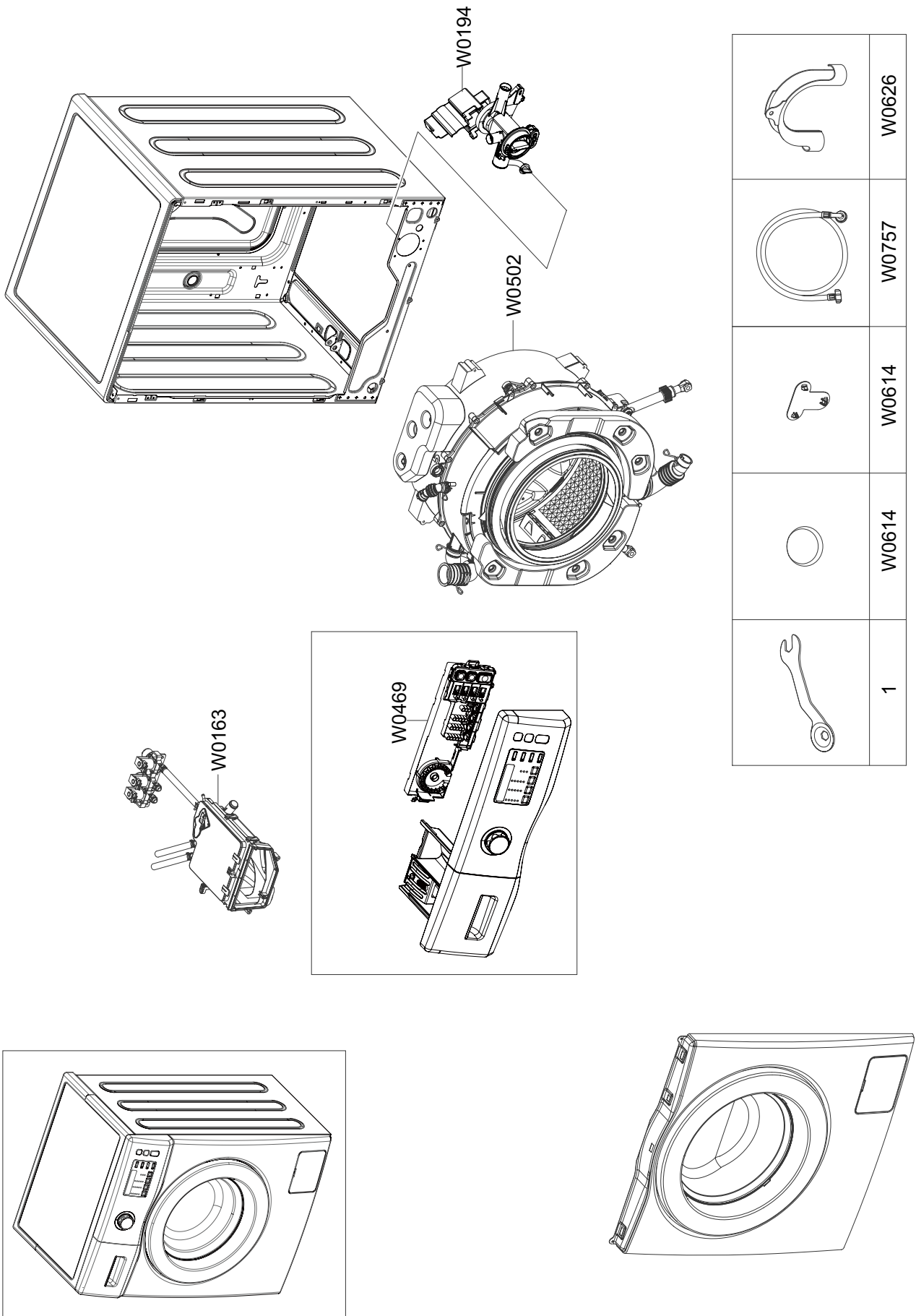


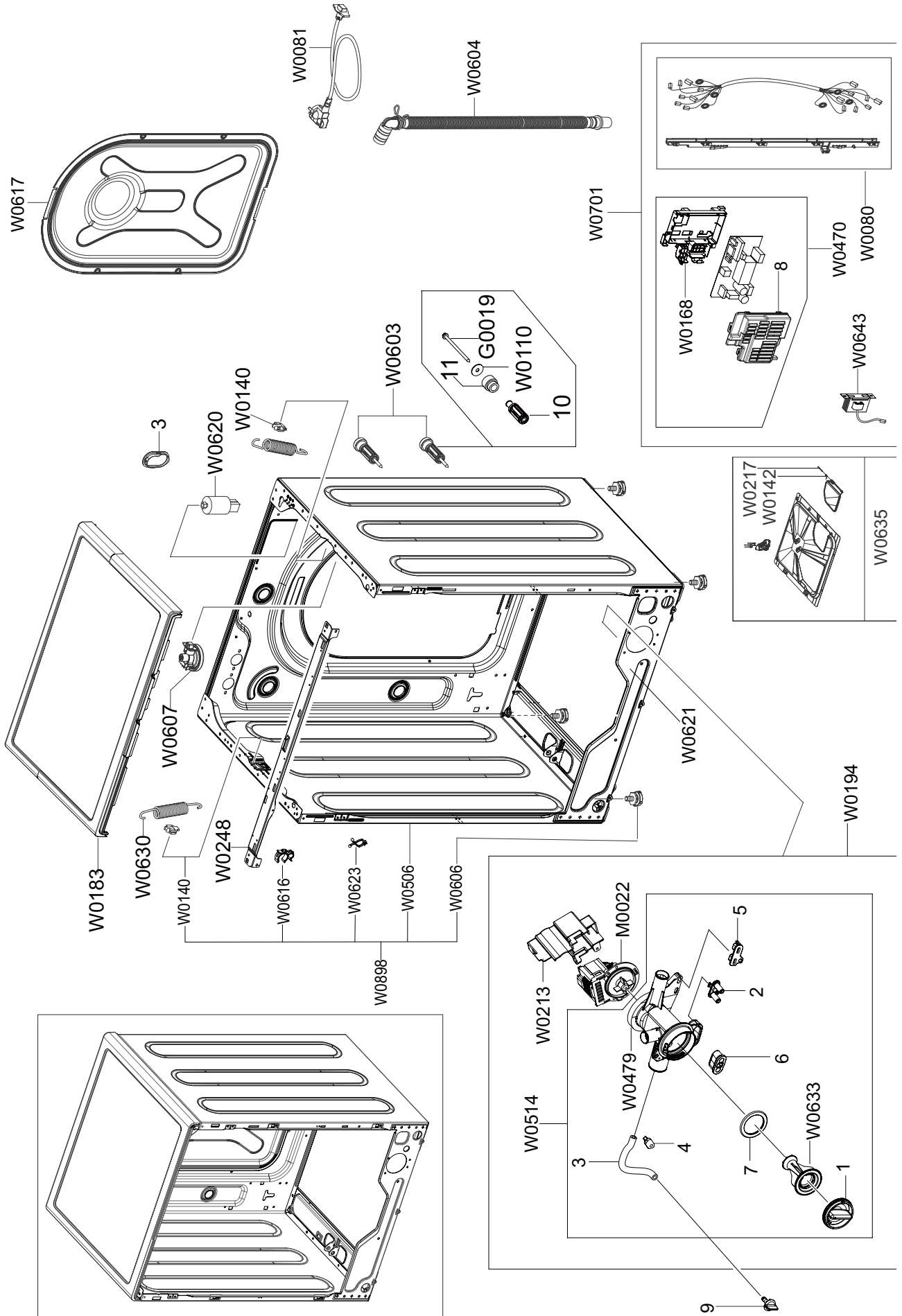
1.MAIN



MODEL CODE: WF600B0BKWQ/EOService Bom (**SA**: SERVICE AVAILABLE, **SNA**: SERVICE NOT AVAILABLE)

SVC Code	Code No.	Description	Specification	QTY	Un	SA/SNA
W0194	DC97-15379D	ASSY PUMP DRAIN	AEGIS-PJT,230V/50Hz.	1	PC	SNA
W0163	DC97-15204Q	ASSY HOUSING DRAWER	AEGIS 3,PP,6KG,NO AG	1	PC	SA
W0469	DC92-01073K	ASSY PCB SUB	Baikal PJT,WF600B0BKWQ/EO,Y	1	PC	SA
W0502	DC90-11368A	ASSY TUB&DRUM	Baikal_PJT,WF600B0BKWQ/EO	1	PC	SNA
W0614	DC67-00307A	CAP-FIXER	WF438AAC/XAA,PP,T1.5,BLK,RM60	4	PC	SA
W0614	DC67-00208B	CAP-FIXER	WF8602NHS/XFA,PP,T1.5,P535-H,B	1	PC	SA
W0626	DC62-10278A	HOSE HANGER	PUMP MODEL,PP,BLACK	1	PC	SA
W0757	DC97-16921A	ASSY HOSE WATER	HEBA,WF8804,REFLEX,BLUE/	1	PC	SA
1	DC60-00104A	FASTENER-BOLT	ALL,CR,OD36,2.5,L113.5	1	PC	SA

2.FRAME & COVER PARTS



MODEL CODE: WF600B0BKWQ/EO

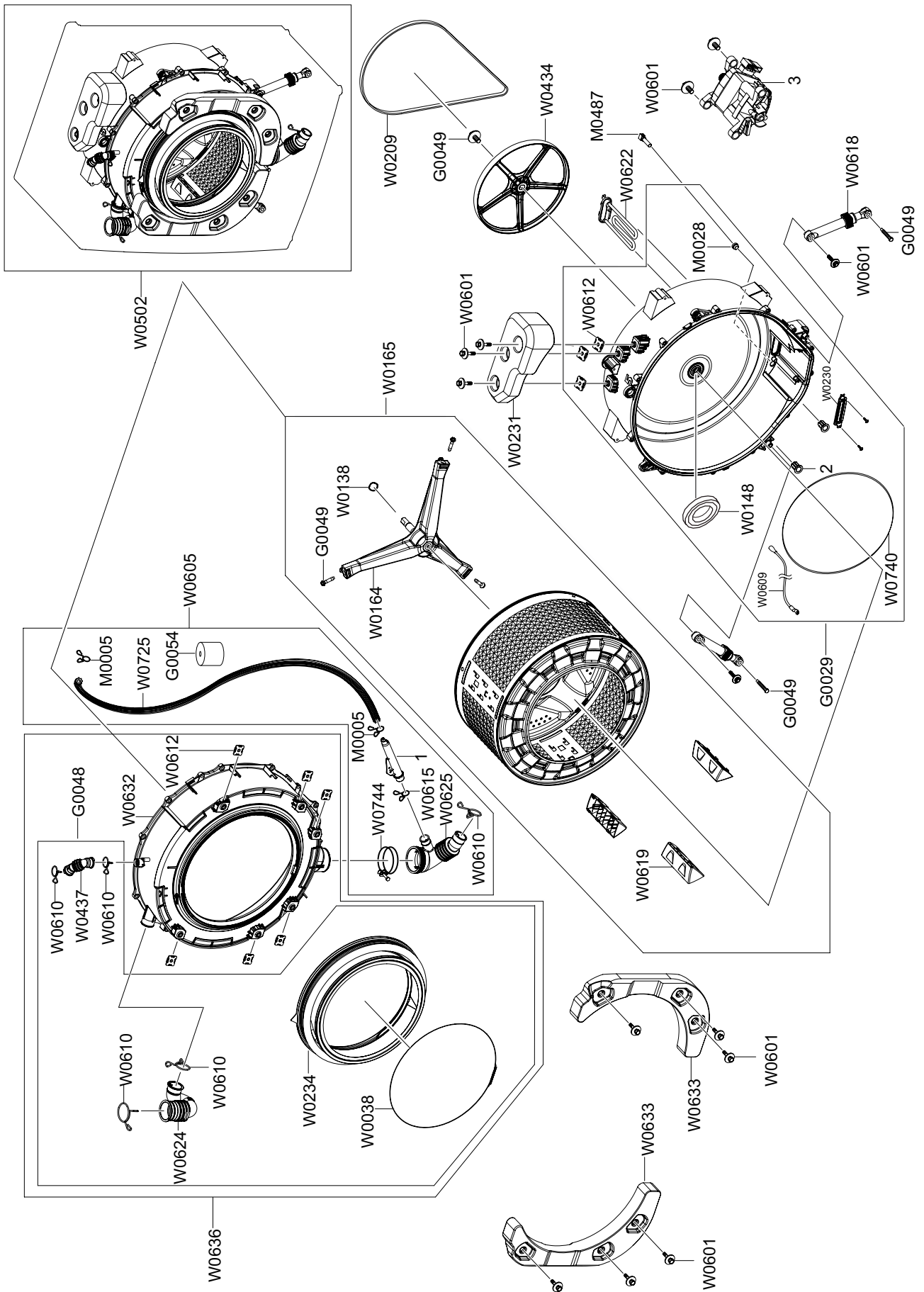
Service Bom (SA: SERVICE AVAILABLE, SNA: SERVICE NOT AVAILABLE)

SVC Code	Code No.	Description	Specification	QTY	Un	SA/SNA
W0194	DC97-15379D	ASSY PUMP DRAIN	AEGIS-PJT,230V/50Hz.	1	PC	SNA
M0022	DC31-30008D	PUMP-DRAIN	SW-70XP,220/240V,50Hz,SYNCHRO	1	PC	SA
W0213	DC63-01410A	COVER PUMP	COVER-PUMP,PP,T1.3,W50,L77,V0	1	PC	SNA
W0514	DC97-15789A	ASSY CASE FILTER	AEGIS,WASHER,2 hole,use	1	PC	SA
W0479	DC61-02173A	CASE PUMP	AEGIS,PP,T3.0,W167,L108,WHT,-	1	PC	SA
W0633	DC63-00865B	FILTER PUMP	AEGIS,PP,NTR	1	PC	SNA
W0898	DC97-16804M	ASSY PANIT FRAME	BAIKAL,WF602B2BKWQ/LP,D	1	PC	SA
W0616	DC61-00133A	CLAMPER HOSE-FIX	P1291,PP,-,HOSE+PLUG,BJ	2	PC	SA
W0140	DC61-02140A	GUIDE SPRING	WF8500NMW,POM,T3.5,W24,L40.	2	PC	SNA
W0623	DC61-40081A	HOLDER WIRE	DAWH-2NC,PA,-,NATURAL,-	8	PC	SA
W0635	DC97-15431D	ASSY COVER BOTTOM	AEGIS,WF0602WKR/XSC,GI	1	PC	SA
W0142	DC61-02204A	SPRING ETC LEVER	WF8500NHW,STAINLESS-ST5	1	PC	SNA
W0217	DC64-00564A	HANDLE PIN	Q1636GW/XEU,STS,-,-,-,-,TS-	1	PC	SA
W0479	DC61-02173A	CASE-PUMP	AEGIS,PP,T3.0,W167,L108,WHT,-	1	PC	SA
W0506	DC97-15782V	ASSY FRAME	BAIKAL,WF602U2BKWQ/LP,DA-WHIT	1	PC	SNA
W0606	DC97-00920H	ASSY LEG	-,ALL EXCEPT AUSTRALI MODEL,L33	4	PC	SA
W0621	DC61-02120A	FRAME PLATE-LOW	WF8500NMW,GI-SGCC,NATURA	1	PC	SA
W0183	DC97-16547A	ASSY COVER TOP	BAIKAL-PJT,WF602U2BKWD/LP	1	PC	SA
W0630	DC61-02146A	SPRING ETC-HANGER	AEGIS-PJT,HSWR-SWRH,CD	2	PC	SA
W0607	DC96-01703B	ASSY SENSOR PRESSURE	PURPLE PJT,PURPLE P	1	PC	SA
W0620	DC29-00015G	FILTER EMI	LFT-215G,250V,15,53*53*97,50/	1	PC	SA
W0603	DC97-14653C	ASSY FIXER TUB	SCOUT,WF0804Y8E/XEF	4	PC	SA
G0049	DC60-40142B	BOLT HEX	SEW-3HR105,SM10C,HEX,L114.5,-,M	4	PC	SNA
W0110	DC60-60044B	WASHER PLAIN	SBC,ID8.4/OD30,T2.0	4	PC	SA
W0617	DC63-01028A	COVER BACK	WF0702NBE/XEU,GI-SGCC,T0.4,W3	1	PC	SA
W0081	DC96-00146A	ASSY POWER CORD	VDE,UCP2,250V16A,H05VV-F	1	PC	SA
W0604	DC97-14291C	ASSY HOSE DRAIN(O)	Aegis-PJT,SSEC,-,L175	1	PC	SA
W0701	DC92-01112Q	ASSY PCB MAIN UNION	F3,BAIKAL	1	PC	SNA
W0643	DC26-00009D	TRANS-REACTORV	SEW-3HR105,220V-240V,3A,2	1	PC	SA
W0470	DC92-01082E	ASSY PCB MAIN	BAIKAL,WF702U4BKWQ/AH,7KG,	1	PC	SA
W0168	DC61-03240A	GUIDE-PCB	WF1602WQU/XSC,ABS,T2.0,NTR	1	PC	SNA
W0080	DC93-00318T	ASSY M.GUIDE WIRE HARNESS	BAIKAL,WF602B2	1	PC	SA
W0616	DC61-00118A	CLAMPER HOSE-FIX	P1291,PA66,ID27,OD30	1	PC	SA
W0248	DC61-03347A	FRAME PLATE-UP	WF702U2BBSX/SC,GI-SGCC,NT	1	PC	SA
1	DC64-01317A	HANDLE FILTER	PP,-,-	1	PC	SNA
2	DC61-02221A	GUIDE CUSHION	AEGIS,FRPP,W16.8,L40.8,NTR	1	PC	SNA

MODEL CODE: WF600B0BKWQ/EOService Bom (**SA**: SERVICE AVAILABLE, **SNA**: SERVICE NOT AVAILABLE)

SVC Code	Code No.	Description	Specification	QTY	Un	SA/SNA
3	DC67-00244M	HOSE DRAIN	AEGIS,EPDM,ID6,OD10,T2.0,L270	1	PC	SNA
4	DC63-00955A	PACKING-PUMP	AEGIS,EPDM,W26.3,L13.2,H14.	1	PC	SNA
5	DC63-00956A	CUSHION PUMP-LEFT	AEGIS,BUTYL,T2.5,W42,L	1	PC	SNA
6	DC69-01232A	PACKING-PUMP	AEGIS,PAPER,EPDM,T3,W45,L22	1	PC	SNA
7	DC73-00022A	SEAL PACKING	SEW-HVR149ATA,EPDM,BLK,-	1	PC	SA
8	DC61-03351A	GUIDE-PCB(C)	BAIKAL-PJT,ABS,T2.5,NTR	1	PC	SNA
9	DC61-10673C	CAP DRAIN	WF1802XEY/XSC,FRPP,BLACK	1	PC	SA
10	DC61-01937C	FIXER TUB	WF8804,FRPP,NTR,HEBA	4	PC	SNA
11	DC73-00035A	FIXER RUBBER	WF0804Y8E/XEF,EPDM,OD25/ID1	4	PC	SNA

3.ASS'Y TUB DRUM



MODEL CODE: WF600B0BKWQ/EO

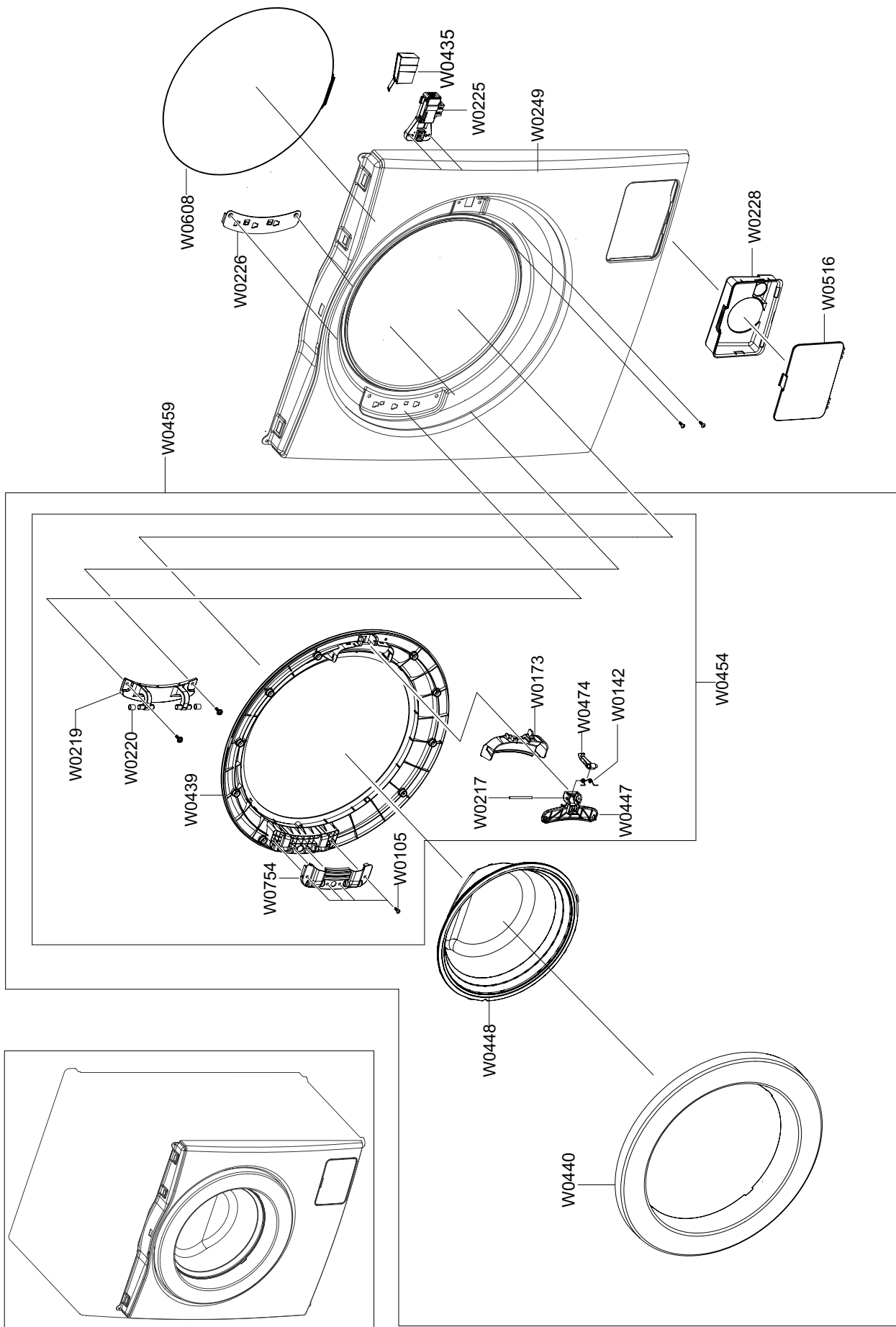
Service Bom (SA: SERVICE AVAILABLE, SNA: SERVICE NOT AVAILABLE)

SVC Code	Code No.	Description	Specification	QTY	Un	SA/SNA
W0636	DC97-15255A	ASSY SEMI TUB FRONT	AEGIS,5KG/WASH	1	PC	SA
W0632	DC61-02085A	TUB FRONT	AEGIS 5kg~6kg,FRPP,OD549,NTR,1	1	PC	SA
G0048	DC97-15274A	ASSY TUB FRONT	WF8500/ WF8502,AEGIS-PJT/	1	PC	SNA
W0612	DC61-40348B	BRACKET NUT	SBHG-R,T3,NO-PAINT	6	PC	SA
M0038	DC91-12077G	ASSY CLAMP DIAPHRAGM	AEGIS,WF8500NHW/YLP	1	PC	SA
W0234	DC64-01664A	DOOR DIAPHRAGM	AEGIS-PJT,EPDM,T1.5/T3.0,	1	PC	SA
W0610	DC65-60125B	CLIP RING	HSWR-SWRH,PI2.4,ID25,-	2	PC	SNA
W0437	DC67-00355A	HOSE AIR	AEGIS-PJT,EPDM,ID19.4,OD25.6,T1	1	PC	SA
W0610	DC65-60118R	CLIP RING	AEGIS-PJT,HSWR-SWRH,T3.0,ID37,	1	PC	SA
W0624	DC67-00334A	HOSE DRAWER TUB	AEGIS-PJT,EPDM,ID35	1	PC	SA
W0610	DC72-00001G	CLIP RING	HEBA-PJT,HSWR-SWRH,T3.0,ID49.5	1	PC	SNA
W0605	DC97-14637B	ASSY HOSE PRESSURE	AEGIS-PJT,-,-,-,-,-	1	PC	SA
M0005	DC61-70029C	CLIP RING	SEW-HW125,HSWR,WHITE	2	PC	SNA
W0744	DC65-00021A	CLAMPER HOSE-JOINT	HEBA PJT,HSWR-SWRH,ID	1	PC	SNA
W0725	DC67-00230D	HOSE WATER	AEGIS-PJT,TPE,ID4.5,OD8,T1.75	1	PC	SNA
W0625	DC67-00335A	HOSE FILTER TUB	AEGIS-PJT,EPDM,ID64.5	1	PC	SA
W0610	DC72-00001H	CLIP RING	HEBA-PJT,HSWR-SWRH,PI3.0,ID35,	1	PC	SNA
W0615	DC61-00219B	CLAMPER HOSE	SK5,WLSL1100A,ID24 OD26.4	1	PC	SNA
G0054	DC63-10003H	ABSORBER SPONGE	SPONGE-HOSE AIR,PU-FOAM,	1	PC	SNA
W0764	DC67-00659C	WEIGHT-BALANCER(F/L)	BAIKAL-BLDC,CONCRET	1	PC	SA
W0764	DC67-00660C	WEIGHT-BALANCER(F/R)	BAIKAL-BLDC,CONCRET	1	PC	SA
W0601	DC97-02412P	ASSY BOLT	AEGIS-PJT,ALL MODEL(WEIGHT-BAL	9	PC	SA
W0165	DC97-15972F	ASSY DRUM	AEGIS-PJT(ERP),WF0600NCE/XEH	1	PC	SA
W0138	6031-001649	WASHER-WAVE	SK5(SCP1),H1.7,ID20,OD23.8,T	1	PC	SNA
G0049	DC60-40137A	BOLT HEX	MARS-PJT,STAINLESS-ST5430,M8,P1	3	PC	SA
W0619	DC66-00523A	DRUM LIFTER	AEGIS-PJT,PP,T2.5,L160.8,TI4	3	PC	SA
W0164	DC97-15182A	ASSY FLANGE SHAFT	AEGIS-PJT,5KG,-,1000RP	1	PC	SA
G0029	DC97-15235A	ASSY SEMI TUB BACK	5KG 1000RPM,AEGIS-PJT	1	PC	SA
W0726	DC61-02086A	TUB BACK	AEGIS 5kg,FRPP,OD545.5,NTR,15%F	1	PC	SNA
W0148	DC62-00007A	SEAL OIL	NBR,BLK,P6091/NBU15	1	PC	SA
W0736	DC97-15188A	ASSY HOUSING BEARING	AEGIS-PJT,1000RPM/6	1	PC	SA
W0612	DC61-40348B	BRACKET NUT	SBHG-R,T3,NO-PAINT	3	PC	SA
M0028	DC69-00824A	PACKING-THERMISTOR	GW-PJT,EPDM,-,-,W17,H	1	PC	SNA
W0609	DC93-00015A	ASSY WIRE EARTH	AEGIS,5KG,230V/50HZ,EART	1	PC	SA
W0740	DC62-40183A	PACKING-TUB	SWF-P12,Rubber,EPDM,BLK	1	PC	SA
W0230	DC61-02874A	BRACKET HEATER	WD0704CQR,STAINLESS-ST543	1	PC	SNA
W0231	DC67-00483A	WEIGHT BALANCER-UP	AEGIS-PJT,CONCRETE,15	1	PC	SA
W0209	6602-001199	BELT-TIMING GEAR	1275JMA,POLYURETHAN,T3.	1	PC	SA

MODEL CODE: WF600B0BKWQ/EOService Bom (**SA**: SERVICE AVAILABLE, **SNA**: SERVICE NOT AVAILABLE)

SVC Code	Code No.	Description	Specification	QTY	Un	SA/SNA
G0049	6011-001498	BOLT-HEX	M10,L27,ZPC(YEL),SWRCH10AK,WS/N	1	PC	SA
W0434	DC66-00524A	PULLEY MOTOR	AEGIS-PJT,ALDC,ID17xW14,OD2	1	PC	SA
W0622	DC47-00006X	HEATER	SU8E6547-X,HEBA Pjt,SUS 316L,2000	1	PC	SA
W0618	DC66-00531A	DAMPER SHOCK	AEGIS-PJT,SBHG T1.0~2.0,70N	2	PC	SC
M0487	DC32-00010C	THERMISTOR	3243OHM AT 60□,-10~100,5,100	1	PC	SA
G0049	DC60-40144A	BOLT HEX	SM10C,L35,ZPC2(YEL),M10,ZPC2(YE	2	PC	SA
W0744	DC65-00021A	CLAMPER HOSE-JOINT	HEBA PJT,HSWR-SWRH,ID	1	PC	SNA
W0502	DC90-11368A	ASSY TUB&DRUM	Baikal_PJT,WF600B0BKWQ/EO	1	PC	SNA
W0601	DC97-14263A	ASSY BOLT	HEBA-PJT,MOTOR/BOLT(M8)+WASHER	4	PC	SA
1	DC67-00297A	HOSE JOINT AIR	HEBA&Aegis-PJT,PP,L167.3,	1	PC	SNA
2	DC61-01097A	BUSH MOTOR	PA,-,-,PA66(2110R)	1	PC	SNA
3	DC93-00316A	ASSY MOTOR-BLDC	ARNO,WDM500FGB,F,DC310V,	1	PC	SA

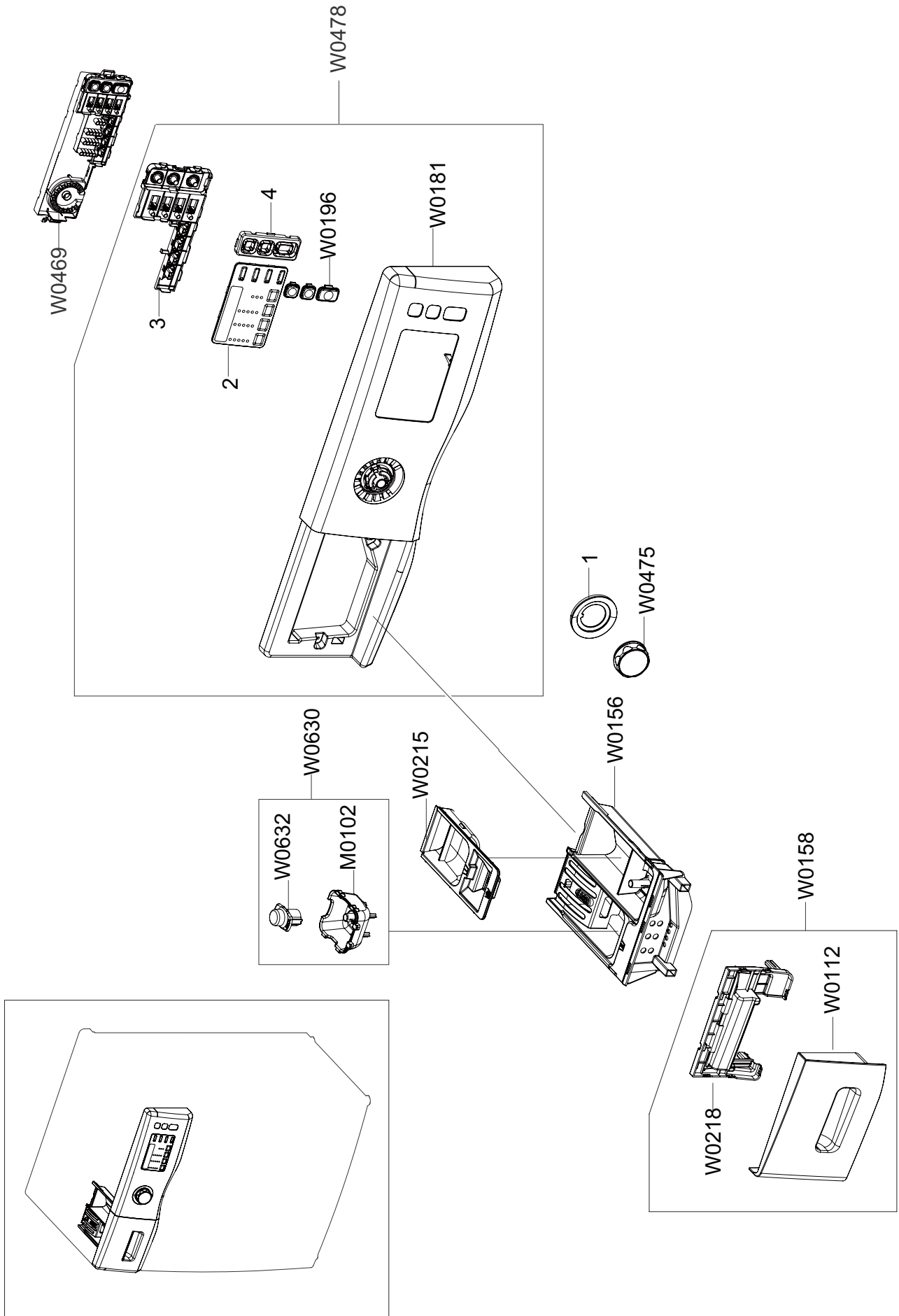
4.ASS'Y FRAME FRONT



MODEL CODE: WF600B0BKWQ/EOService Bom (**SA**: SERVICE AVAILABLE, **SNA**: SERVICE NOT AVAILABLE)

SVC Code	Code No.	Description	Specification	QTY	Un	SA/SNA
W0226	DC61-02184A	BRACKET HINGE	WF8500NHW,GI-SGCC,T1.4,AEG	1	PC	SA
W0435	DC63-00967A	COVER DOOR SWITCH	AEGIS-PJT/ WF8500NHW,P	1	PC	SA
W0225	DC64-01538A	DOOR-LOCK S/W	ZV-446L5,PA,W95,L52,WHITE,	1	PC	SA
W0608	DC91-12078E	ASSY WIRE DIAPHRAGM	AEGIS,WF8500NHW/YLP,	1	PC	SA
W0459	DC97-15194H	ASSY DOOR	AEGIS-2,WF9592FRW,WHT(1PC)	1	PC	SNA
W0448	DC64-01790A	DOOR GLASS	AEGIS,GLASS,T5.0,W353.0	1	PC	SA
W0454	DC97-15192C	ASSY HOLDER GLASS	AEGIS-2,WF9592FQW,PP,T	1	PC	SA
W0220	DC61-00891A	GUIDE HINGE	HAUZEN(DOM),POM,-,-,-,WHT,HI	2	PC	SA
G0427	DC61-02097A	HOLDER GLASS	WF8500NHW,PP,T3.0,OD459.5,-	1	PC	SNA
W0142	DC61-02098A	SPRING ETC LEVER	WF8500NHW,STAINLESS-ST5	1	PC	SA
W0219	DC61-02099A	HINGE DOOR	WF8500NHW,ALDC,T8.0,L155,AEGI	1	PC	SA
W0754	DC61-02100A	BRACKET HOLDER	WF8500NHW,GI-SGCC,T1.4,AE	1	PC	SNA
G0428	DC63-00924A	COVER HANDLE	WF8500NHW,ABS,T2.2,-,L115,-	1	PC	SA
W0217	DC64-00564A	HANDLE PIN	Q1636GW/XEU,STS,-,-,-,-,TS-	1	PC	SA
W0722	DC64-01948A	HANDLE DOOR	WF9604SQR/XSC,POM,T2.0,WHT,A	1	PC	SA
W0474	DC66-00519A	LEVER DOOR	WF8500NHW,ZNDC,T5.7,W10.7,L46	1	PC	SA
W0249	DC61-02785A	FRAME FRONT	AEGIS-PJT,EGI-SECC,WHITE,T0.	1	PC	SA
W0516	DC63-00920A	COVER-FILTER	WF8500NHW,ABS,T2.5,W115.5,L	1	PC	SA
W0228	DC61-02090B	GUIDE FILTER	WF8500NHW,PP,T2,W149.3,L114	1	PC	SA

5.PANEL-CONTROL & DRAWER

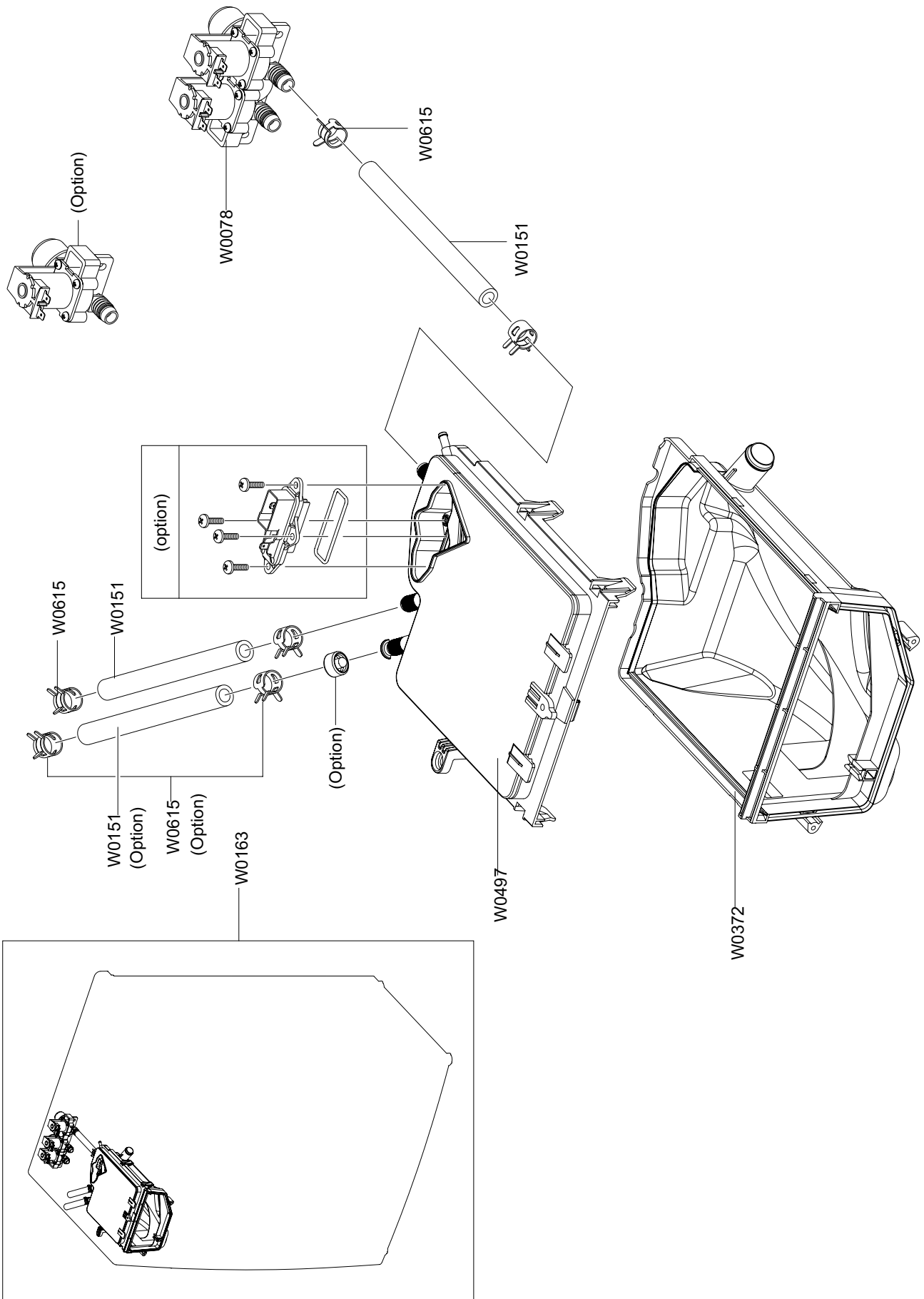


MODEL CODE: WF600B0BKWQ/EO

Service Bom (SA: SERVICE AVAILABLE, SNA: SERVICE NOT AVAILABLE)

SVC Code	Code No.	Description	Specification	QTY	Un	SA/SNA
M0102	DC61-02947A	GUIDE LIQUID-MIDDLE	WF0702WKA,PP,T2.0,W6	1	PC	SNA
W0112	DC64-02798A	PANEL DRAWER	BAIKAL-PJT,ABS,T2.5,DA-WHIT	1	PC	SNA
W0156	DC61-02875A	BODY DRAWER	T-PJT/STANDARD-TYPE,PP,T2.0,	1	PC	SA
W0158	DC97-17005A	ASSY PANEL DRAWER	BAIKAL-PJT,DA-WHITE	1	PC	SA
W0180	DC64-02795A	PANEL CONTROL	BAIKAL-PJT,ABS,T3.0,DA-WHI	1	PC	SNA
W0196	DC64-02796A	BUTTON PUSH-FUNCTION	BAIKAL-PJT,ABS,DA-W	1	PC	SNA
W0215	DC67-00525A	CAP RINSE	AEGIS3,PP,T2.0,ECO BLUE,AEGIS3	1	PC	SA
W0218	DC64-02799A	HANDLE DRAWER	BAIKAL-PJT,ABS,T2.5,DA-WHI	1	PC	SNA
W0469	DC92-01073K	ASSY PCB SUB	Baikal PJT,WF600B0BKWQ/EO,Y	1	PC	SA
W0475	DC97-17357A	ASSY KNOB ENCODER	SEINE/BAIKAL/VOLGA	1	PC	SA
W0478	DC97-17141E	ASSY PANEL CONTROL	BAIKAL-PJT,WF600B0BKW	1	PC	SA
W0630	DC97-16434A	ASSY COVER DRAWER	AEGIS3,WF0702WKA/XSC,P	1	PC	SA
W0632	DC67-00524A	CAP DRAWER	WF0804Y8E/XEF,PP,T2.0,W27,L43	1	PC	SA
1	DC64-02600A	WINDOW-ENCODER	WF1802XEC/YLP,PC,T1.5,GRA	1	PC	SNA
2	DC64-02797R	WINDOW-PANEL	WF600B0BKWQ/EO,ABS,T2.5,CLE	1	PC	SNA
3	DC63-01469A	COVER-BUTTON(L)	BAIKAL-PJT,ABS,T2.0,DA-W	1	PC	SNA
4	DC63-01470A	COVER-BUTTON(U)	BAIKAL-PJT,ABS,T2.0,DA-W	1	PC	SNA

6.ASS'Y HOUSING DRAWER



MODEL CODE: WF600B0BKWQ/EOService Bom (**SA**: SERVICE AVAILABLE, **SNA**: SERVICE NOT AVAILABLE)

SVC Code	Code No.	Description	Specification	QTY	Un	SA/SNA
W0163	DC97-15204Q	ASSY HOUSING DRAWER	AEGIS 3,PP,6KG,NO AG	1	PC	SA
W0372	DC61-02105A	HOUSING DRAWER-LOW	WF8500NHW,PP,T1.8,NTR	1	PC	SNA
W0078	DC62-00024F	VALVE WATER	220-240,10,D-2	1	PC	SA
W0615	DC65-00008B	CLAMPER HOSE	SSEC-GE,SK5,ID14.2,ZPC2,T1.	4	PC	SNA
W0151	DC67-00051F	HOSE DRAWER	WF8502NHW,EPDM,ID9.0,OD14.5,	0.31	M	SNA
W0497	DC97-16404A	ASSY S.HOUSING DRAWER	AEGIS3,WF0602WQQ/X	1	PC	SNA

7.PARTS LIST (OTHERS PARTS)

MODEL CODE: WF600B0BKWQ/EO

Service Bom (**SA**: SERVICE AVAILABLE, **SNA**: SERVICE NOT AVAILABLE)

SVC Code	Code No.	Description	Specification	QTY	Un	SA/SNA
W0085	6001-001773	SCREW-MACHINE	TH,+,-,M5,L12,PASS,STS430,	2	PC	SA

8.SCREWS LIST

MODEL CODE: WF600B0BKWQ/EO

Service Bom (SA: SERVICE AVAILABLE, SNA: SERVICE NOT AVAILABLE)

SVC Code	Code No.	Description	Specification	QTY	Un	SA/ SNA
W0105	6002-000445	SCREW-TAPPING	TH,+,NO,2,M4,L18,PASS,STS4	6	PC	SNA
W0105	6002-000520	SCREW-TAPPING	TH,+,-,2,M4,L12,ZPC(WHT),S	1	PC	SNA
W0105	6002-001327	SCREW-TAPPING	PWH,+,1,M4,L12,ZPC(WHT),SW	2	PC	SNA
W0105	6006-001174	SCREW-TAPPING	TH,+,WE,2S,M4,L12,ZPC(WHT)	5	PC	SNA
W0102	6009-001343	SCREW-SPECIAL	PH,TORX,M4,L12,ZPC(WHT),SW	1	PC	SNA
W0105	6002-001436	SCREW-TAPPING	PH,+,2,M4,L18,ZPC(WHT),SWR	3	PC	SNA
W0105	6002-000520	SCREW-TAPPING	TH,+,-,2,M4,L12,ZPC(WHT),S	2	PC	SNA
W0085	6001-000115	SCREW-MACHINE	BH,+,-,M3,L10,ZPC(WHT),SWR	2	PC	SNA
W0105	6002-000630	SCREW-TAPPING	PH,+,NO,2S,M3,L8,ZPC(WHT),	3	PC	SNA
	6003-001563	SCREW-TAPTYPE	TH,+,S,M4,L8,NI PLT,SWRCH1	2	PC	SNA
W0105	6002-000520	SCREW-TAPPING	TH,+,-,2,M4,L12,ZPC(WHT),S	1	PC	SNA
W0105	6002-000520	SCREW-TAPPING	TH,+,-,2,M4,L12,ZPC(WHT),S	1	PC	SNA
G0425	6009-001367	SCREW-HEX	HWH,+, -,M6.5,L32,ZPC(WHT),SWRC	14	PC	SNA
W0105	6002-001006	SCREW-TAPPING	TH,+, -,2S,M4,L12,PASS,STS4	2	PC	SNA
F0056	6003-001768	SCREW-TAPTYPE	TH,+,WT,S,M4,L10,ZPC(WHT),	1	PC	SNA
W0105	6002-000445	SCREW-TAPPING	TH,+,NO,2,M4,L18,PASS,STS4	1	PC	SNA
W0085	6001-001773	SCREW-MACHINE	TH,+,-,M5,L12,PASS,STS430,	2	PC	SA
G0010	6003-000269	SCREW-TAPTYPE	BH,+, -,S,M3,L6,ZPC(WHT),SW	2	PC	SNA
	6002-001554	SCREW-TAPPING	TH,+,No,1,M4,L12,STS430,HE	2	PC	SNA
W0105	6002-001436	SCREW-TAPPING	PH,+,2,M4,L18,ZPC(WHT),SWR	3	PC	SNA
	6002-001554	SCREW-TAPPING	TH,+,No,1,M4,L12,STS430,HE	8	PC	SNA
W0105	6002-000520	SCREW-TAPPING	TH,+,-,2,M4,L12,ZPC(WHT),S	4	PC	SNA
F0056	6003-001768	SCREW-TAPTYPE	TH,+,WT,S,M4,L10,ZPC(WHT),	2	PC	SNA
W0105	6006-001174	SCREW-TAPPING	TH,+,WE,2S,M4,L12,ZPC(WHT)	5	PC	SNA
W0105	6002-001327	SCREW-TAPPING	PWH,+,1,M4,L12,ZPC(WHT),SW	4	PC	SNA
W0105	6006-001174	SCREW-TAPPING	TH,+,WE,2S,M4,L12,ZPC(WHT)	2	PC	SNA
W0105	DE60-10080A	SCREW-TAPPING	PWH,+, -,2S,M5,L9,-,SWRCH18	2	PC	SNA