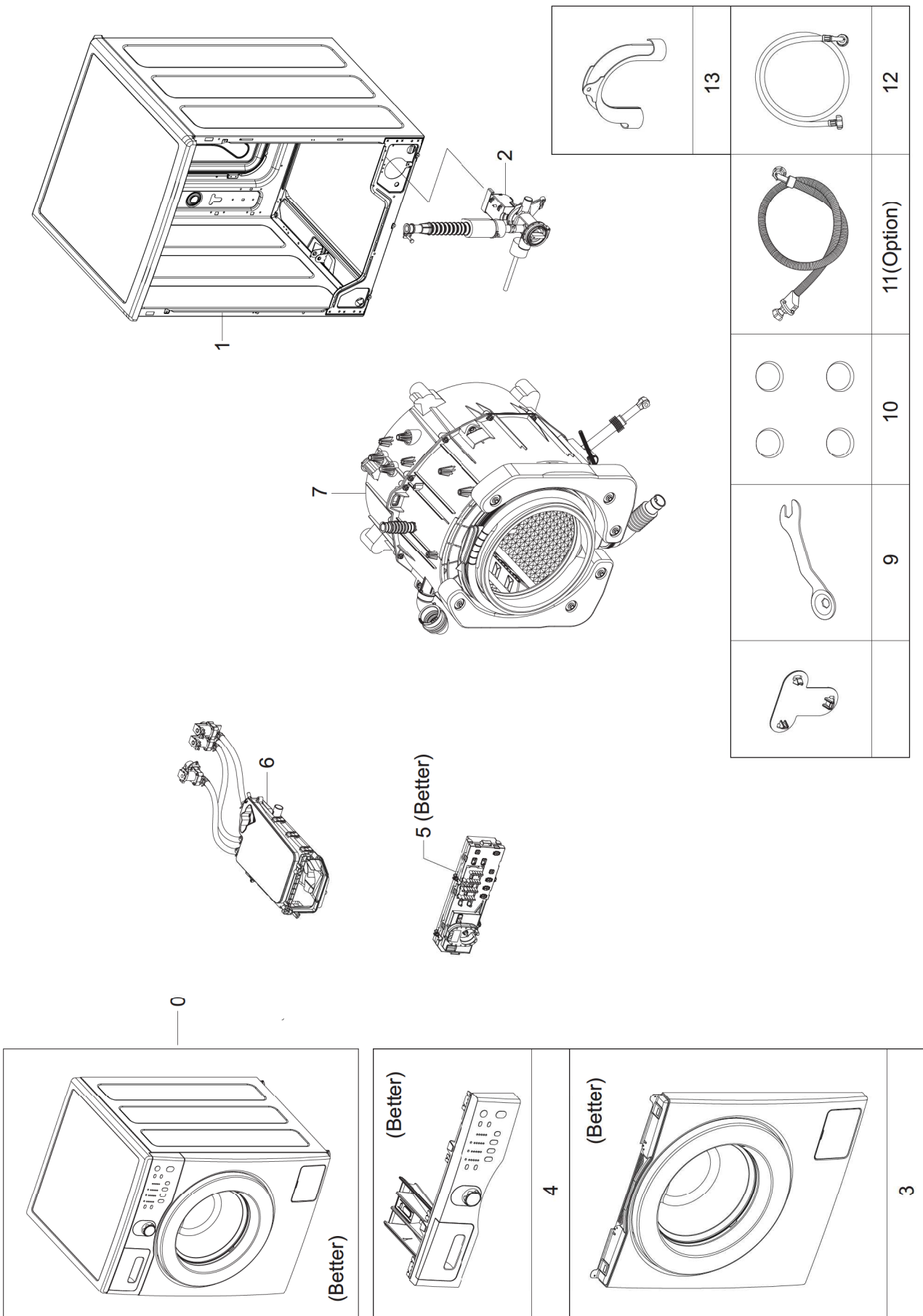
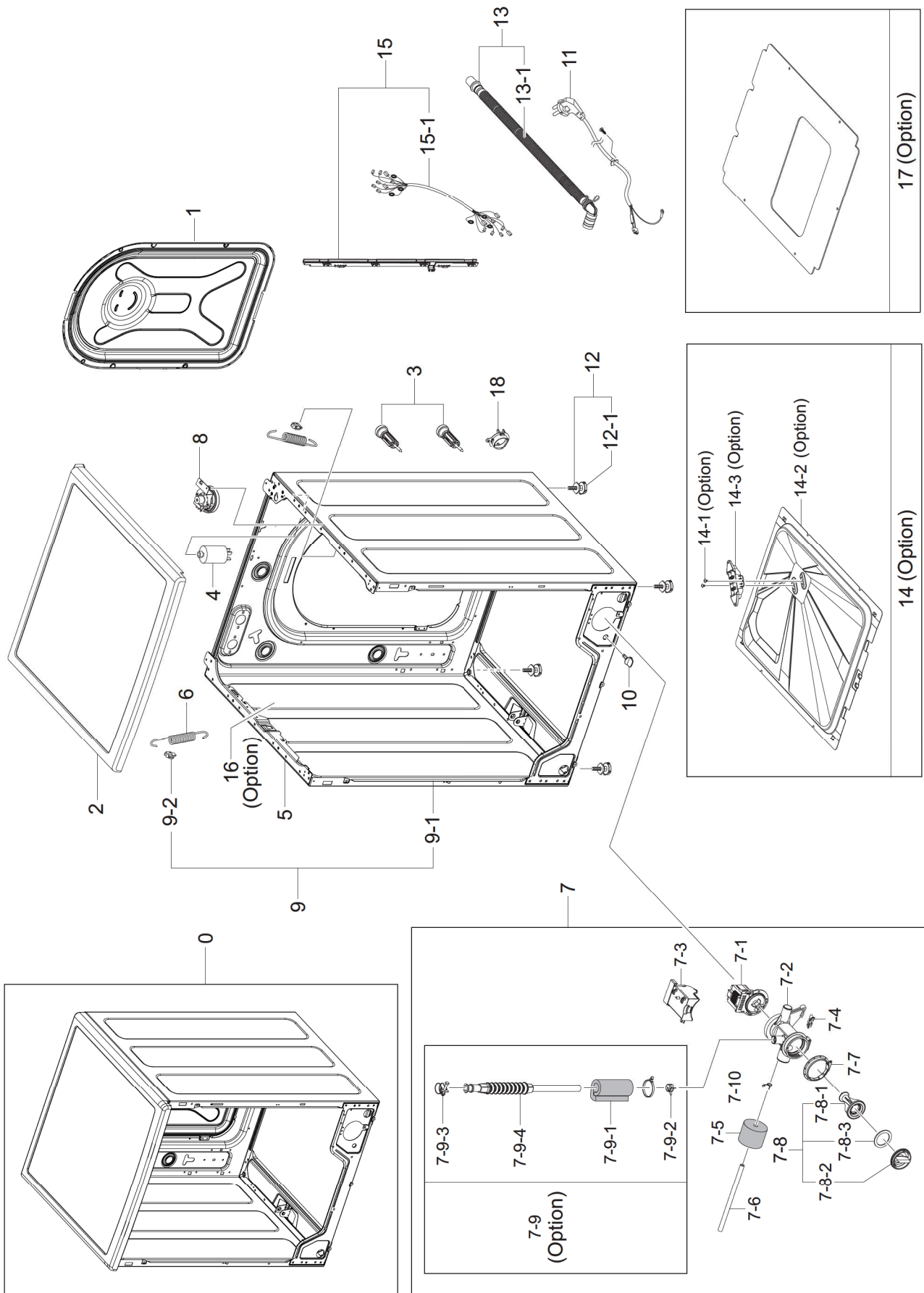


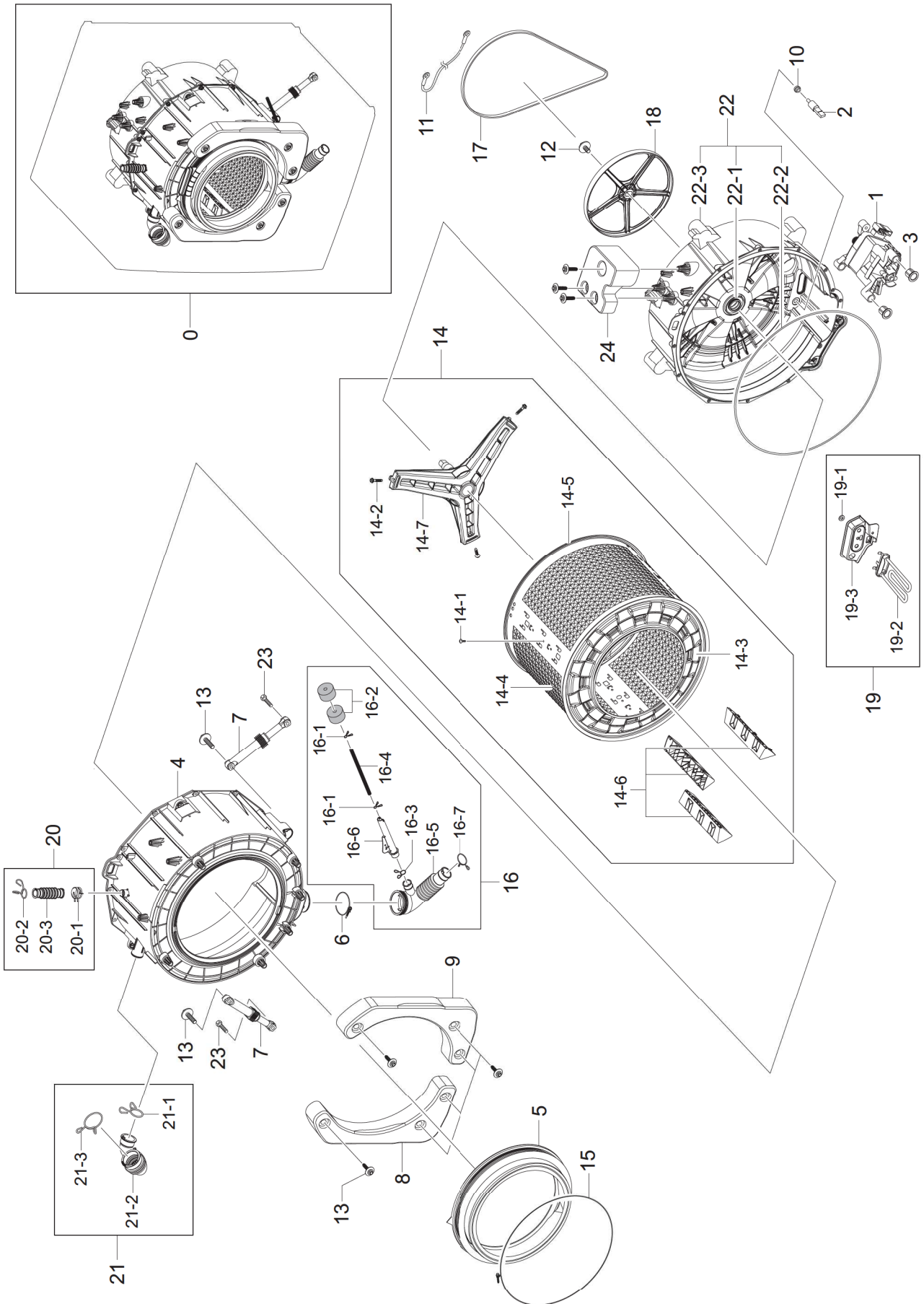
1-1. MAIN



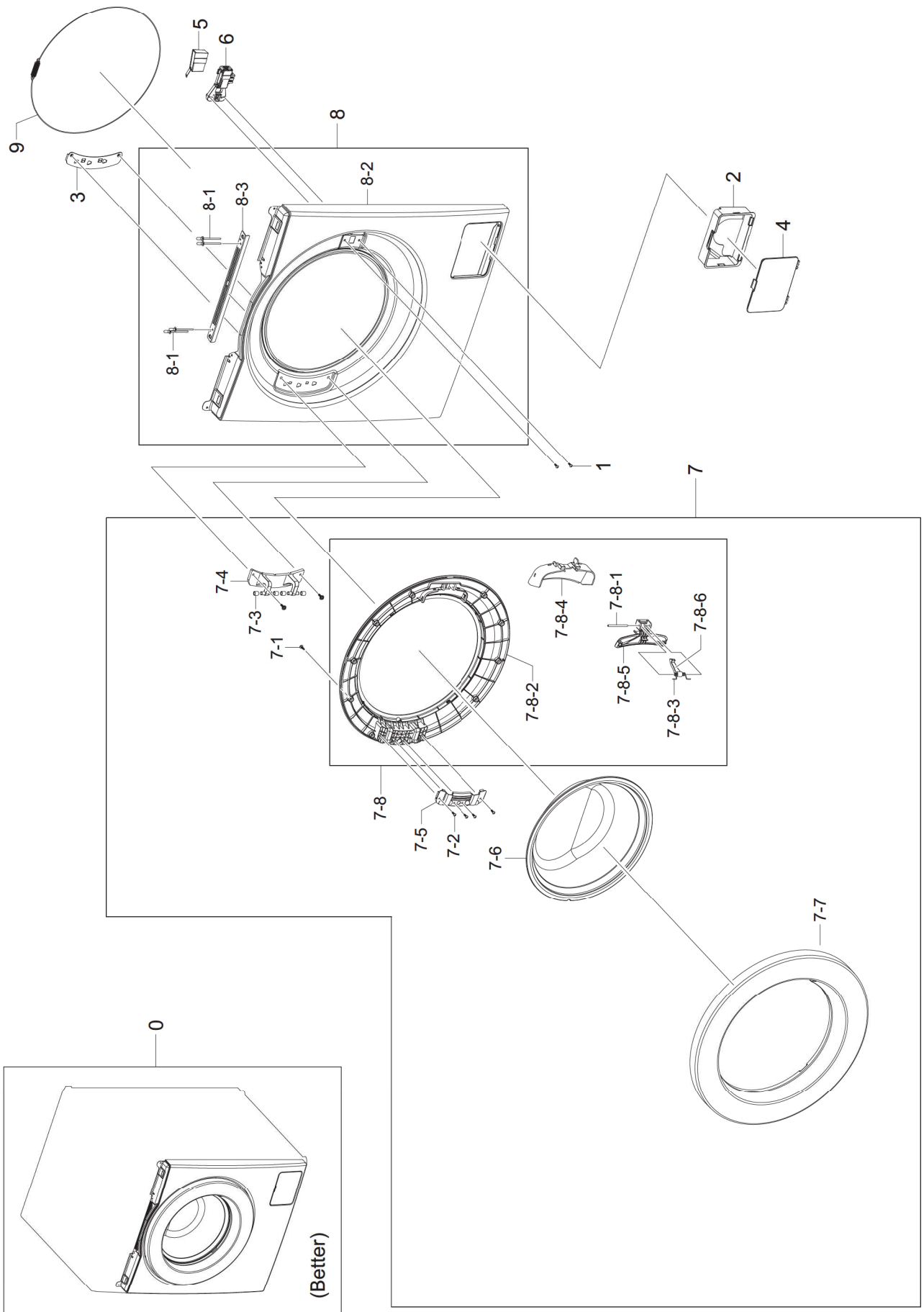
1-2. FRAME & COVER PARTS



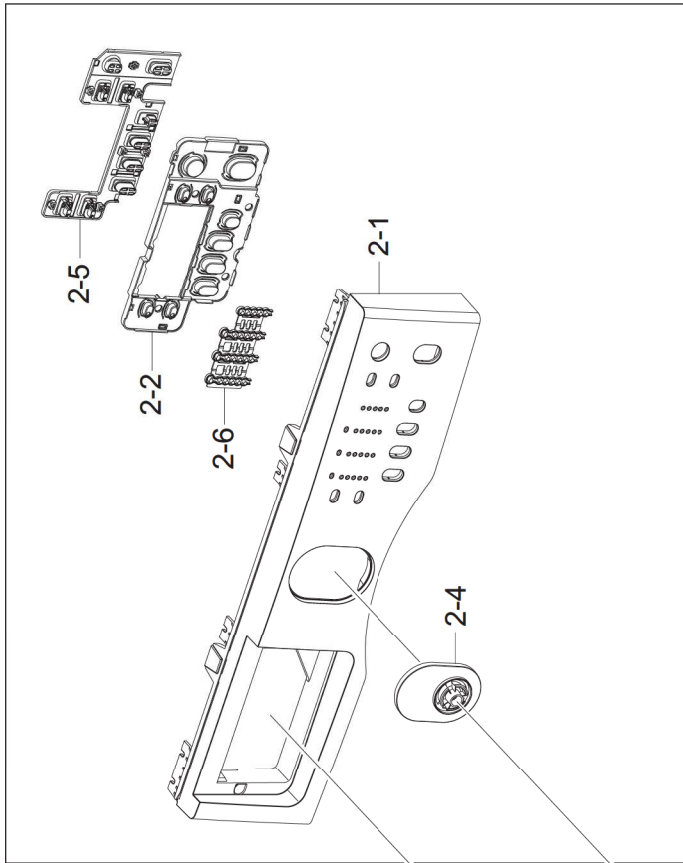
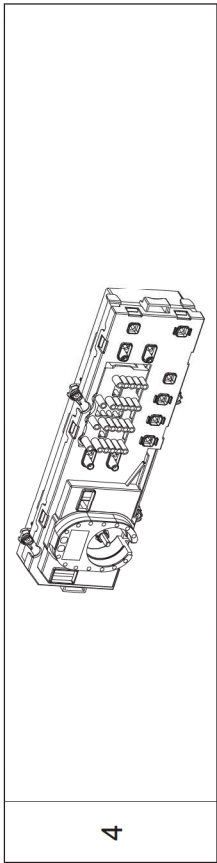
1-3. ASS'Y TUB DRUM



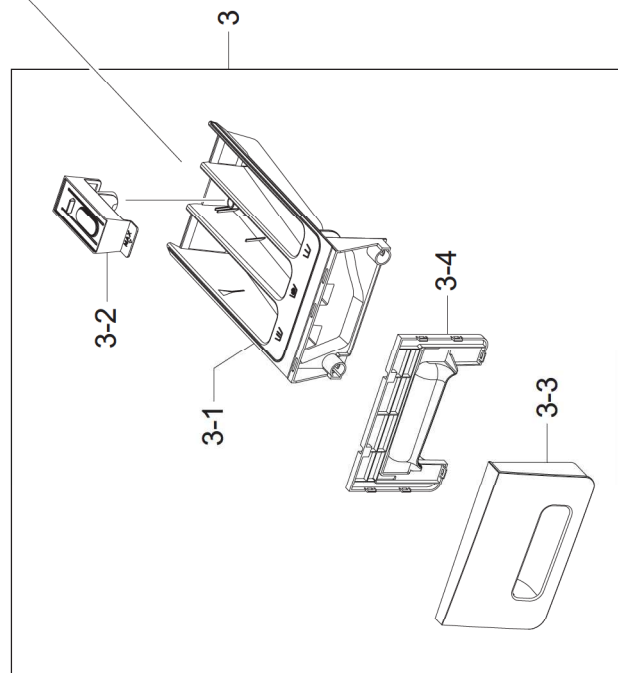
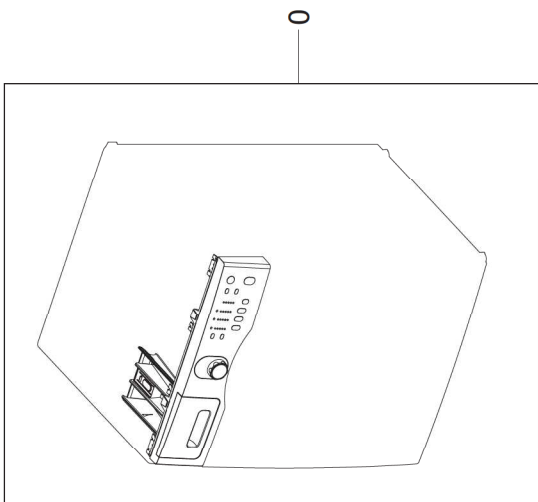
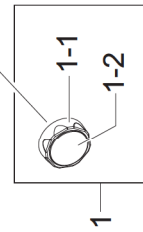
1-4. ASS'Y FRAME FRONT



1-5. PANEL-CONTROL & DRAWER



2



1-6. ASS'Y HOUSING DRAWER

