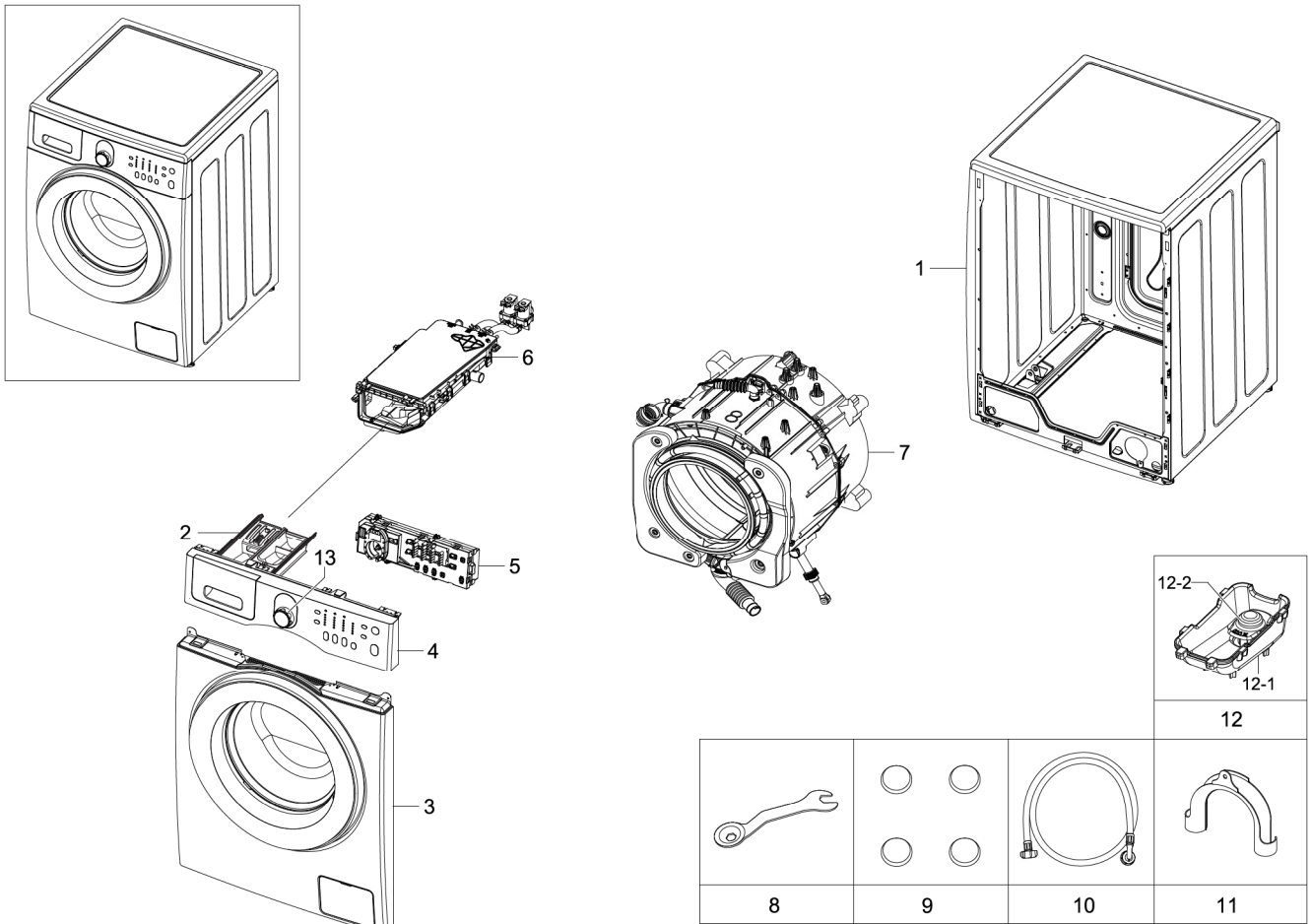


# 1. Main

## Exploded View

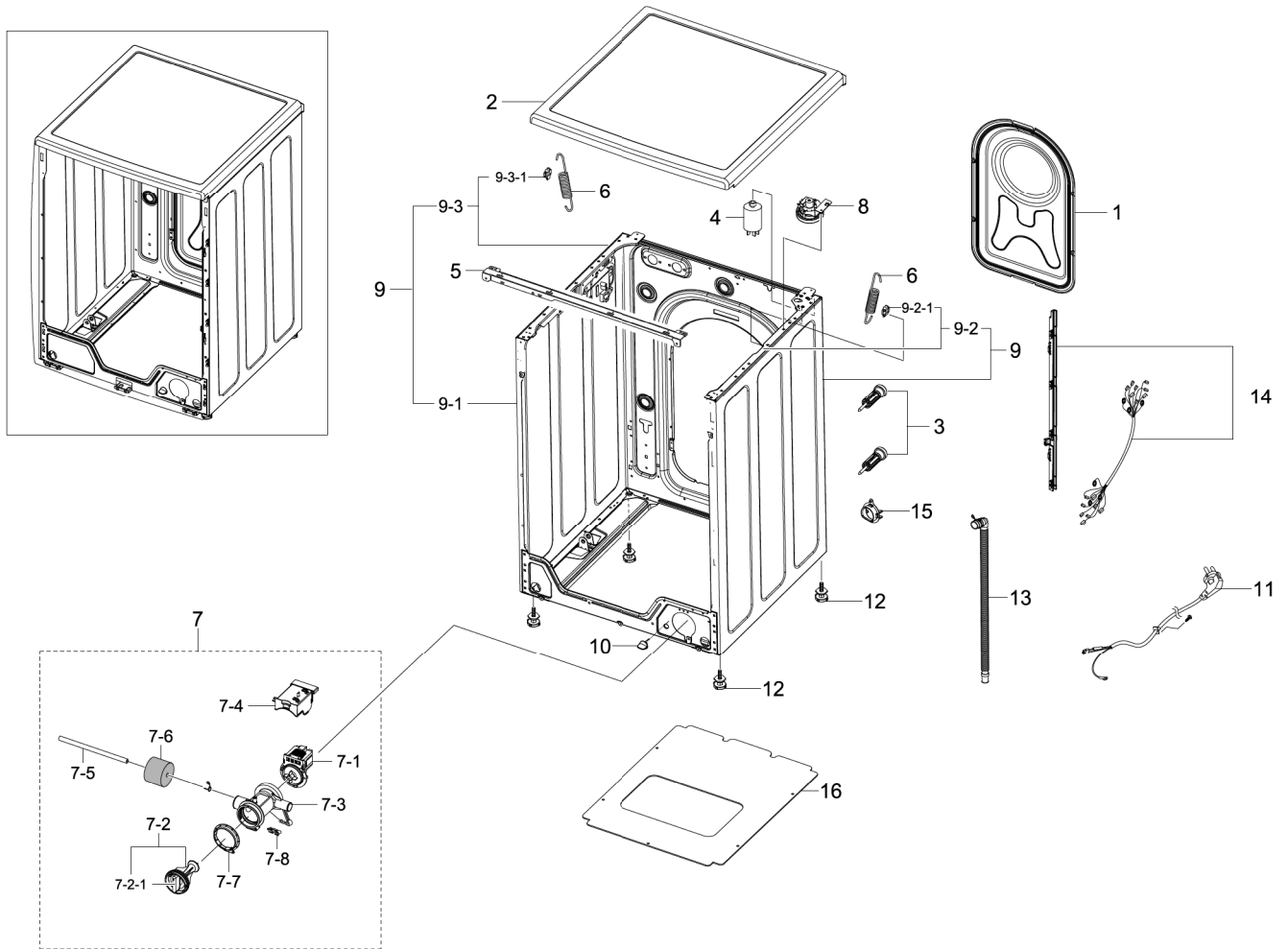


## Parts List

No.	Lvl.	Loc.	Material Code	Description & Specification	SNA	Qty.
1	2	W0506	DC97-14657E	ASSY FRAME; HEBA,WF8804,PCM,T0.8,-,WHITE	SA	1
2	2	W0216	DC97-16021A	ASSY DRAWER; SCOUT,WF0804Y8E	SA	1
3	2	W0253	DC97-15006A	ASSY FRAME FRONT; -,J1488/HAC,DA WHITE DO	SNA	1
4	2	W0478	DC97-16901M	ASSY PANEL CONTROL; VISTULA,WF1802LSW2/XE	SA	1
5	2	W0701	DC92-00917N	ASSY PCB MAIN UNION; 8kg 1200rpm,Vistula	SA	1
6	2	W0163	DC97-16005Q	ASSY HOUSING DRAWER; SCOUT,WF0804Y8E,COLD	SA	1
7	1	W0502	DC90-08210A	ASSY TUB & DRUM; VISTULA,WF1802LSW2/XET	SNA	1
8	2	W0611	DC60-40146A	BOLT-SPANER; CR,T2.5,-	SA	1
9	2	W0614	DC67-00307A	CAP-FIXER; WF438AAC/XAA,PP,T1.5,BLK,RM60	SC	4

## 2. Frame&Cover Parts

### Exploded View

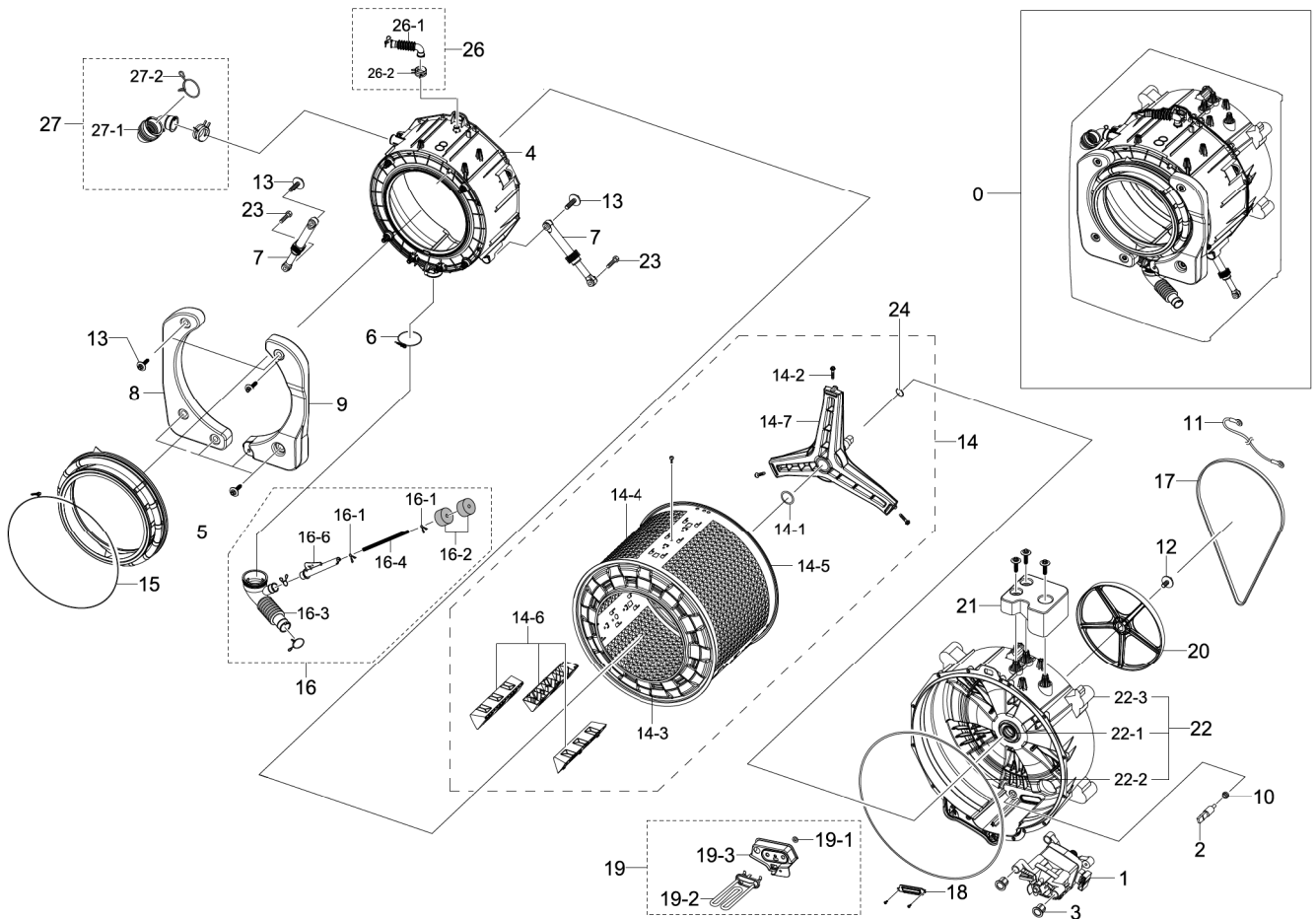


### Parts List

No.	Lvl.	Loc.	Material Code	Description & Specification	SNA	Qty.
1	2	G0430	DC97-15809A	ASSY COVER BACK; GRIFFIN PJT,WF9904RWE/XE	SA	1
2	2	W0183	DC97-14953A	ASSY COVER TOP; HEBA-PJT,-,WOOD+AL FOIL+U	SA	1
3	2	W0603	DC97-14653C	ASSY FIXER TUB; SCOUT,WF0804Y8E/XEF	SA	4
4	2	W0229	DC29-00005D	FILTER-EMI; FA-2151T-4 / RDFC-2718,1.2mm	SA	1
5	2	W0721	DC97-15363A	ASSY FRAME PLATE(U); HEBA,ALL,GI,T1.2,600	SA	1
6	2	W0630	DC61-02029A	SPRING ETC-HANGER; HEBA,HSWR-SWRH,CD3.5,O	SA	2
7	2	W0194	DC96-01533B	ASSY PUMP DRAIN; HEBA-PJT,WF8802,NO AIR V	SA	1
7-1	3	M0022	DC31-00030A	PUMP-DRAIN; B20-6 / S3001,220V-240V,50Hz,	SA	1

### 3. Assy Tub&Drum

#### Exploded View

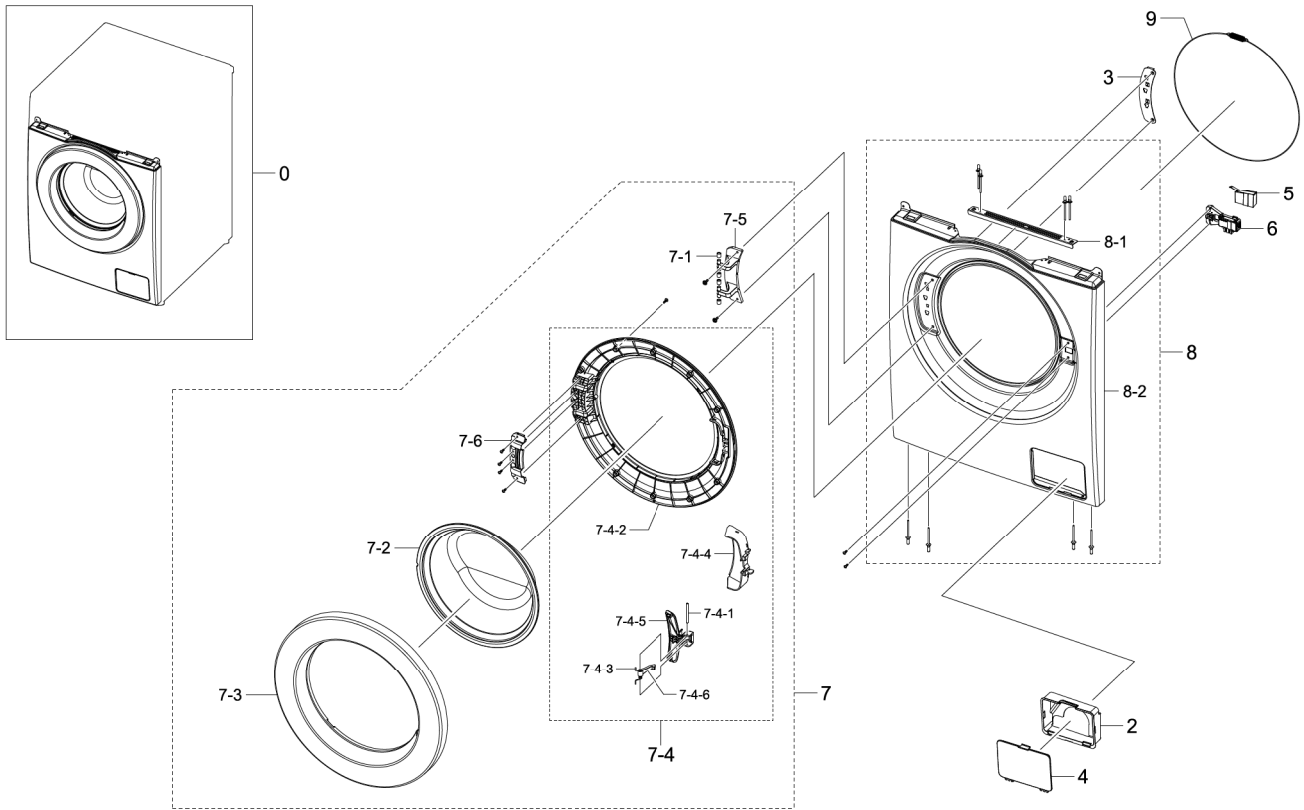


#### Parts List

No.	Lvl.	Loc.	Material Code	Description & Specification	SNA	Qty.
0	1	W0502	DC90-08210A	ASSY TUB & DRUM; VISTULA,WF1802LSW2/XET	SNA	1
1	2	W0086	DC31-00123B	MOTOR UNIVERSAL-DRUM; Welling(UML 5202.01	SA	1
2	2	M0487	DC32-00010A	THERMISTOR; -,11982OHM AT 25-, -55~155	SA	1
3	2		DC61-02549A	BUSH-MOTOR; HEBA BIGBANG,PA66+GF15%,NATUR	SA	1
4	2	W0632	DC61-01932A	TUB-FRONT; HEBA PJT,FRPP,ID528,OD575,NTR,	SA	1
5	2	W0234	DC64-01602A	DOOR-DIAPHRAGM; HEBA-PJT,EPDM,T1.5,-,GRAY	SA	1
6	2	W0744	DC65-00021A	CLAMPER HOSE-JOINT; HEBA PJT,HSWR-SWRH,ID	SA	1
7	2	W0618	DC66-00531C	DAMPER-SHOCK; HEBA,STEEL+PP+RUBBER,80N,W2	SA	2

# 4. Assy Frame Front&Door

## Exploded View

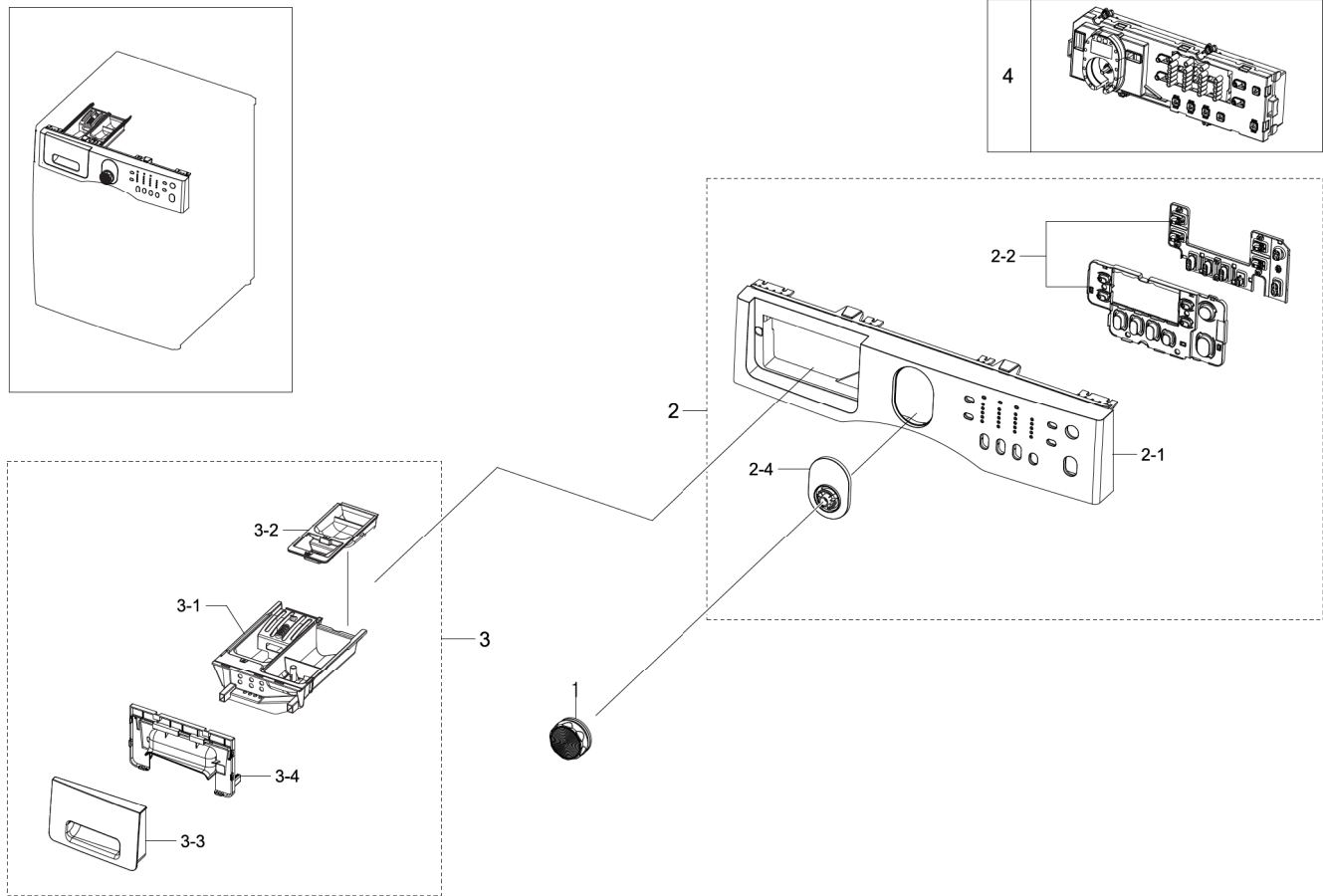


## Parts List

No.	Lvl.	Loc.	Material Code	Description & Specification	SNA	Qty.
0	2	W0253	DC97-15006A	ASSY FRAME FRONT; -,J1488/HAC,DA WHITE DO	SNA	1
2	3	W0228	DC61-01917A	GUIDE-FILTER; WF8804DP,HIPS,T2.5,W149.2,L	SA	1
3	3	W0226	DC61-01919A	BRACKET-HINGE; WF8804DP,GI-SGCC,T1.4,L161	SA	1
4	3	W0516	DC63-00854A	COVER-FILTER; WF8804DP,ABS,T2.0,W150.7,L1	SA	1
5	3	W0435	DC63-00967A	COVER-DOOR SWITCH; AEGIS-PJT/ WF8500NHW,P	SA	1
6	3	W0225	DC64-01538A	DOOR-LOCK S/W; ZV-446L5,PA,W95,L52,WHITE,	SA	1
7	3	W0459	DC97-15005A	ASSY DOOR; -,J1488/HAC,-,-,-,WHT	SA	1
7-1	4	W0220	DC61-00891A	GUIDE-HINGE; HAUZEN(DOM),POM,-,-,-,WHT,HI	SA	4
7-2	4	W0448	DC64-01521A	DOOR-GLASS; WF8804DP,GLASS,T5.0,H120.5,NA	SA	1

# 5. Panel Control&Drawer

## Exploded View

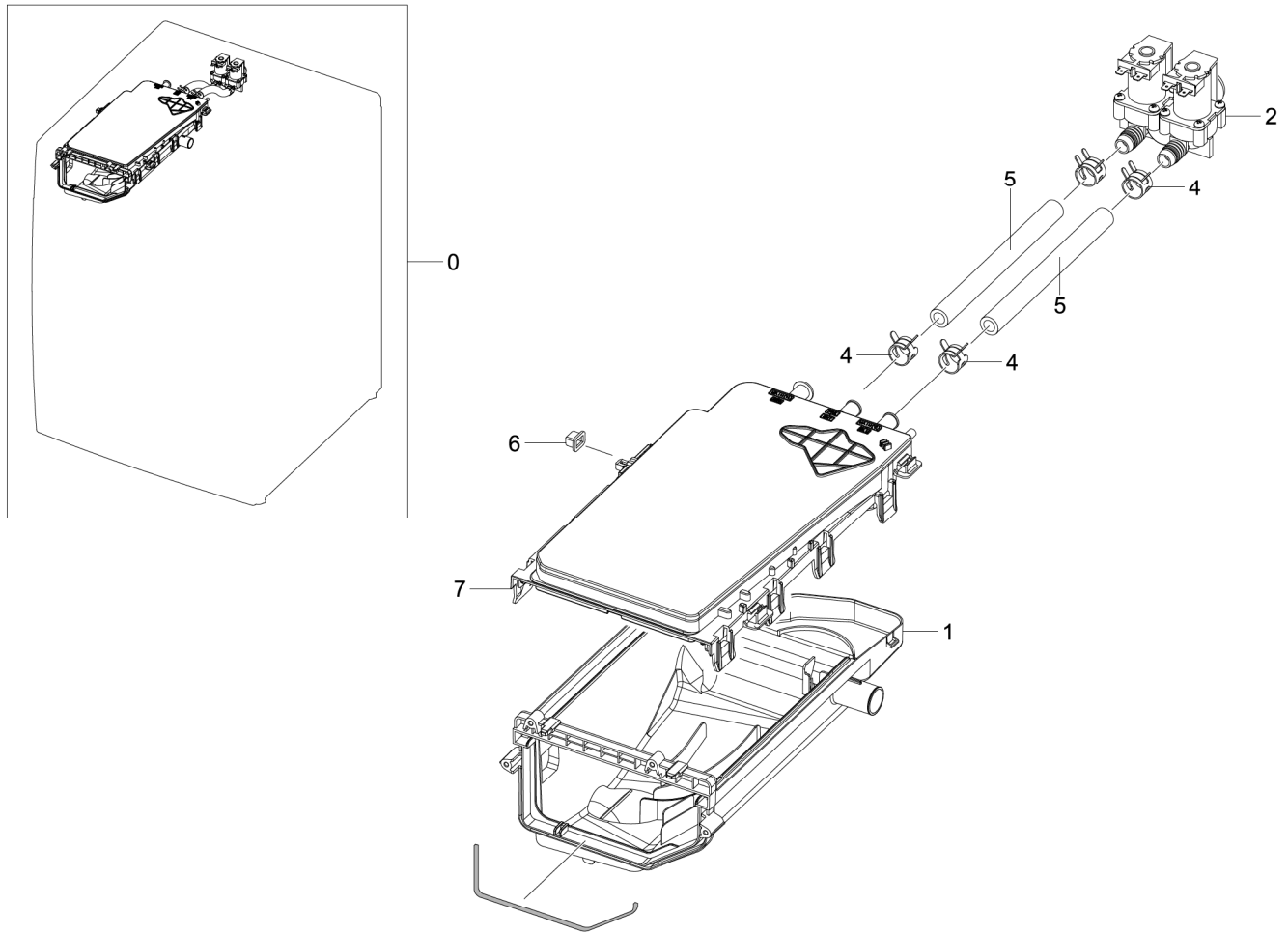


## Parts List

No.	Lvl.	Loc.	Material Code	Description & Specification	SNA	Qty.
1	2	W0475	DC97-17357A	ASSY KNOB ENCODER; SEINE/BAIKAL/VOLGA	SA	1
2	2	W0478	DC97-16901M	ASSY PANEL CONTROL; VISTULA,WF1802LSW2/XE	SA	1
2-1	3	W0181	DC64-01532A	PANEL-CONTROL; HEBA-PJT,ABS,T2.5,-,-,WH	SNA	1
2-2	3		DC90-09340A	ASSY-BUTTON-PUSH; HEBA,VISTULA	SNA	1
2-4	3	G0443	DC64-01533A	WINDOW-ENCODER; HEBA,ABS,T2.0,-,-,BLK,H	SNA	1
3	2	W0216	DC97-16021A	ASSY DRAWER; SCOUT,WF0804Y8E	SA	1
3-1	3	W0156	DC61-02580A	BODY-DRAWER; WF0800NCE,PP,T2.0,L265.5,W15	SA	1
3-2	3	W0215	DC67-00452A	CAP-RINSE; WF0800NCE,PP,W66.4,L219.2,ECO	SA	1
3-3	3	W0112	DC64-02173A	PANEL-DRAWER; WF0804Y8E,ABS,T2.5,W183.4,L	SA	1

# 6. Assy Housing Drawer

## Exploded View



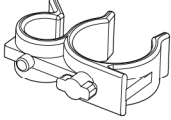



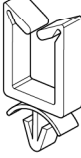



## Parts List

No.	Lvl.	Loc.	Material Code	Description & Specification	SNA	Qty.
0	2	W0163	DC97-16005Q	ASSY HOUSING DRAWER; SCOUT,WF0804Y8E,COLD	SA	1
1	3	G0414	DC61-02434A	HOUSING-DRAWER L; HEBA-PJT,PP,T1.8,NTR	SA	1
2	3	W0078	DC62-00024M	VALVE WATER; 220-240,10,D-2	SC	1
4	3	W0615	DC65-00008A	CLAMPER HOSE; SEW-DR605,SK5,-,ID14.2/T0.9	SA	4
5	3	W0151	DC67-00051P	HOSE-DRAWER; SCOUT,EPDM,ID9.0,OD14.5,L210	SA	2
6	3		DC67-00327A	CAP-DRAWER HOOK; HEBA-PJT,EPDM,T1.1,W13.9	SA	1
7	3	W0497	DC97-16006A	ASSY S.HOUSING DRAWER; SCOUT,WF0804Y8E,PP	SA	1

## 7. Small Parts

### Exploded View

			
<b>1</b>	<b>2</b>	<b>3</b>	<b>4</b>
			
<b>5</b>	<b>6</b>	<b>7</b>	<b>8</b>

### Parts List

No.	Lvl.	Loc.	Material Code	Description & Specification	SNA	Qty.
1	2	W0623	DC61-40081A	HOLDER-WIRE; DAWH-2NC,PA,-,NATURAL,-	SA	4
2	2	W0616	DC61-00118A	CLAMPER HOSE-FIX; P1291,PA66,ID27,OD30	SA	1
3	2	W0616	DC61-00133A	CLAMPER HOSE-FIX; P1291,PP,-,HOSE+PLUG,BJ	SA	1
4	2	W0623	DC61-00995C	HOLDER-WIRE; HEBA-PJT,PA,ID26,W6,L145,NYL	SA	1
5	2		6502-000127	CABLE CLAMP; DAWH-18NB,ID15,-,NYLON66,NTR	SA	2
6	2		DC65-20010A	CABLE CLAMP; DA-9N-1,NYLON66,NTR	SNA	1
7	2	M0001	DC61-00553B	HOLDER-WIRE SADDLE; PA,NTR,NYLON66	SA	2
8	2	W0623	DC61-40083A	HOLDER-WIRE; DAWH-3ND,NYLON66,NTR(PI24.4)	SA	1