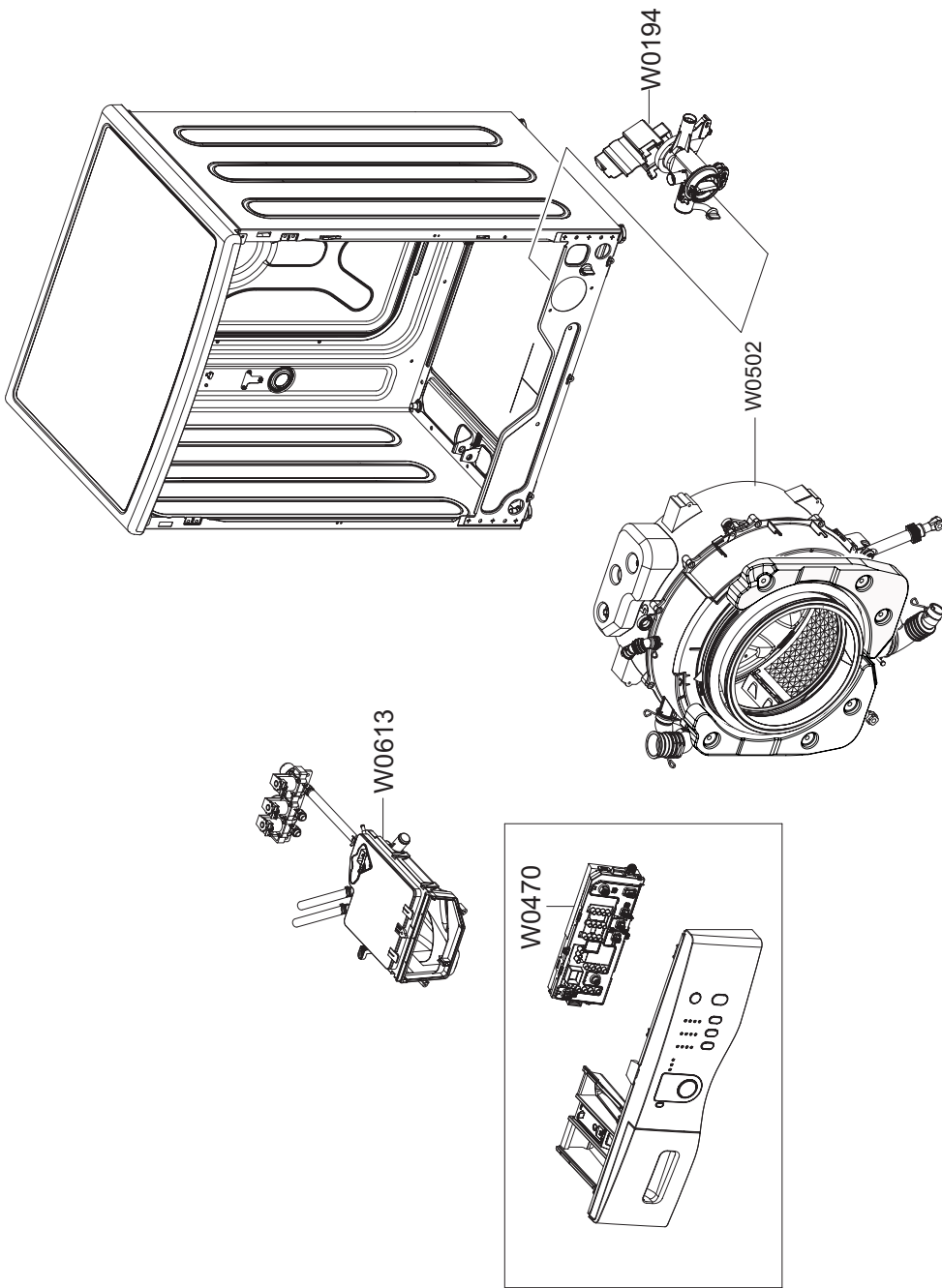
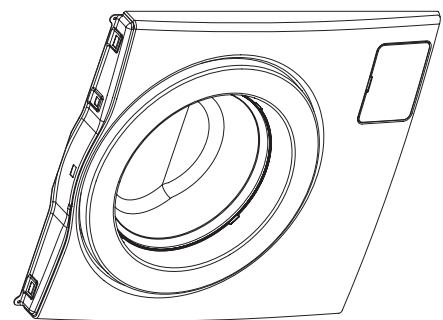
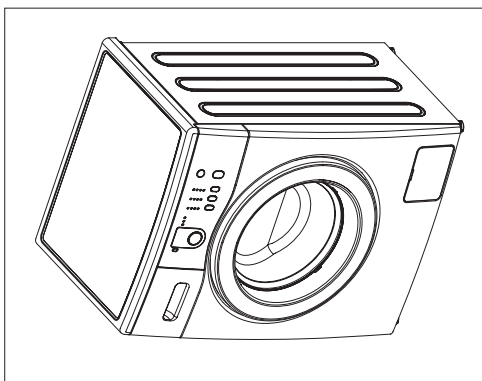


1-1. MAIN



	W0626
	W0627
	W0614
	W0614
	W0611

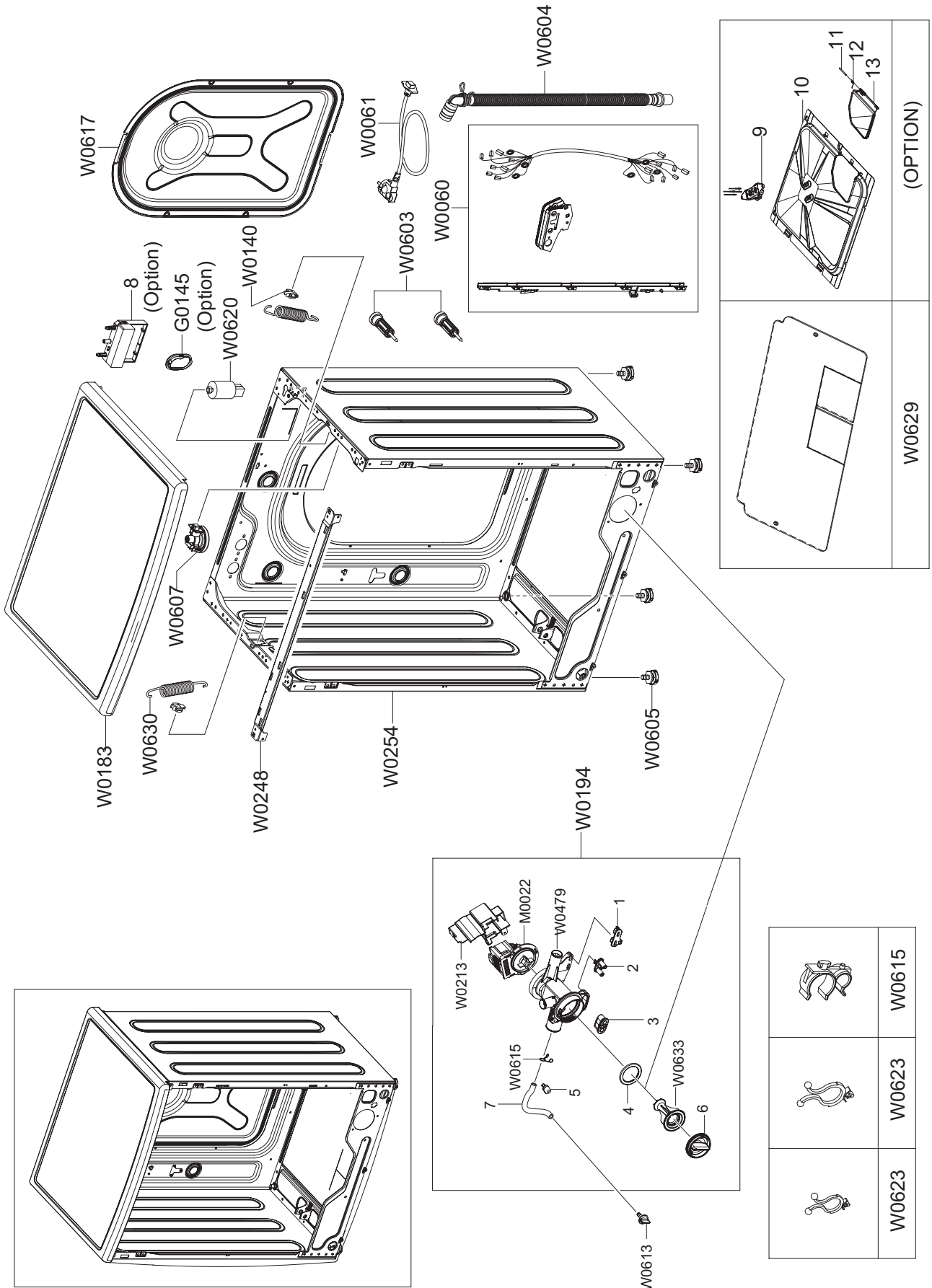


---

**MODEL CODE: WF1702NHW/XEO**Service Bom (**SA**: SERVICE AVAILABLE, **SNA**: SERVICE NOT AVAILABLE)

SVC Code	Code No.	Description	Specification	QTY	Un	SA/SNA
W0614	DC67-00251A	CAP-FIXER	SEW-6HR115B,PP,T1.83,W26.8,L34	4	PC	SA
W0614	DC67-00208A	CAP-FIXER	J1453GW/XEU,PP,T1.5,NTR	1	PC	SA
W0470	DC92-00396G	ASSY PCB MAIN	AEGIS DECO,WF1702NHWG/YLE,	1	PC	SA
W0627	DC62-10289C	HOSE-WATER(C)	RUSSIA,PVC+NYLON,ID10.3,-,	1	PC	SA
W0194	DC97-15861B	ASSY PUMP DRAIN	AEGIS,WF8500NHW,220V/240	1	PC	SNA
W0163	DC97-15204R	ASSY HOUSING DRAWER	AEGIS 3,PP,7KG,NO AG	1	PC	SA
W0502	DC90-03945A	ASSY TUB&DRUM	AEGIS DECO,WF0702NHL/XSC	1	PC	SNA
W0611	DC60-40146A	BOLT-SPANER	-,CR,-,T2.5,OD36,-,-,-,-	1	PC	SA
W0626	DC62-10278A	HOSE-HANGER	PUMP MODEL,PP,BLK,RM60 RESIN	1	PC	SA

# 1-2. FRAME & COVER PARTS

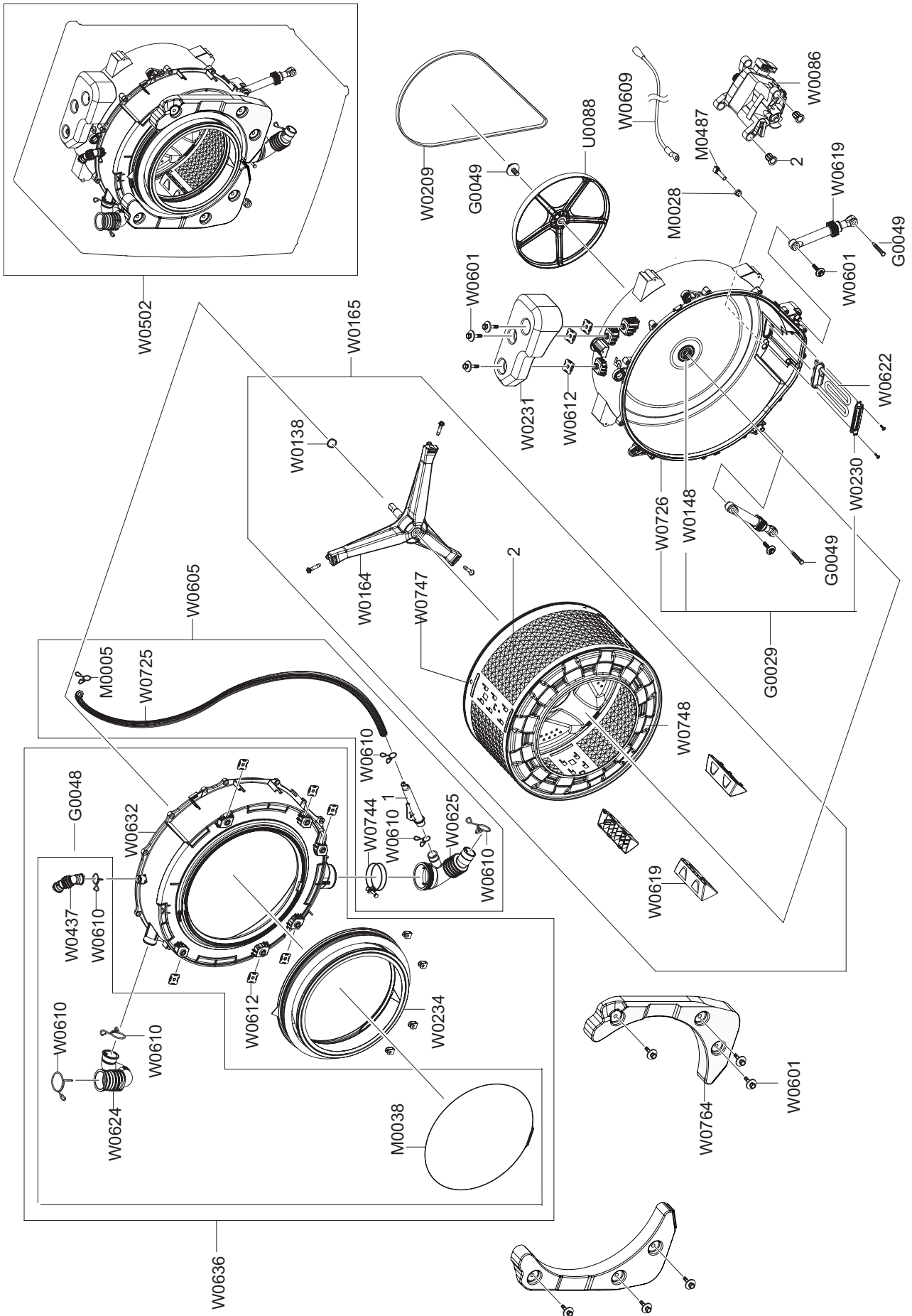


## MODEL CODE: WF1702NHW/XEO

Service Bom (SA: SERVICE AVAILABLE, SNA: SERVICE NOT AVAILABLE)

SVC Code	Code No.	Description	Specification	QTY	Un	SA/SNA
W0603	DC98-01189A	ASSY FIXER TUB	Aegis-BB-PJT,WF0702NBE/XE	4	PC	SA
W0629	DC64-01667A	SHUTTER	AEGIS-PJT,PP,T3.0,W440,L200,NATU	1	PC	SNA
W0613	DC61-10673A	CAP-DRAIN	SWF-P12,PP,-,-,-,NTR,-	1	PC	SA
W0617	DC63-01028A	COVER-BACK	WF0702NBE/XEU,GI,T0.4,W352,L5	1	PC	SA
W0623	DC61-40081A	HOLDER-WIRE	DAWH-2NC,PA,NTR(PI19.4)	5	PC	SA
W0606	DC97-00920H	ASSY LEG	-,ALL EXCEPT AUSTRALI MODEL,L33	4	PC	SA
W0248	DC61-02119A	FRAME-PLATE(U)	WF8600NHW,GI-SGCC,NATURAL	1	PC	SA
W0604	DC97-14291C	ASSY HOSE DRAIN(O)	Aegis-PJT,SSEC,-,L175	1	PC	SA
W0194	DC97-15861B	ASSY PUMP DRAIN	AEGIS,WF8500NHW,220V/240	1	PC	SNA
W0479	DC61-02173A	CASE-PUMP	AEGIS,PP,T3.0,W167,L108,WHT,-	1	PC	SA
W0213	DC63-00951A	COVER-PUMP	COVER-PUMP,PP,T2.5,W65,L140,V	1	PC	SA
M0022	DC31-00030A	PUMP-DRAIN	B20-6,220V,50Hz,-,HANYU	1	PC	SA
W0183	DC97-16339F	ASSY COVER TOP	AEGIS DECO,WF0700NHM/XSH,	1	PC	SA
W0607	DC96-01703A	ASSY SENSOR PRESSURE	AEGIS-PJT,-,-,DRUM	1	PC	SA
W0630	DC61-02146A	SPRING ETC-HANGER	AEGIS-PJT,HSWR,CD3.5,I	2	PC	SA
W0616	DC61-00118A	CLAMPER HOSE-FIX	P1291,NYLON66,ID27,OD30	1	PC	SA
W0615	DD65-00001F	CLAMPER HOSE	HSWR,D10.5/T1.2	1	PC	SNA
W0081	DC96-00146A	ASSY POWER CORD	UCP2,250V/16A,-,1500/EUR	1	PC	SA
W0080	DC93-00180A	ASSY M.GUIDE WIRE HARNESS	AEGIS-DECO-PJT	1	PC	SA
W0620	DC29-00009C	FILTER EMI	DFC-2715R,P/PV/P2,250V,15,PI3	1	PC	SA
W0140	DC61-02140A	GUIDE-SPRING	WF8500NMW,POM,T3.5,W24,L40.	2	PC	SNA
W0254	DC97-15930E	ASSY PAINT FRAME	Aegis-PJT,WF0702NHW/XSC	1	PC	SA
W0623	DC61-40081A	HOLDER-WIRE	DAWH-2NC,PA,NTR(PI19.4)	5	PC	SA
W0633	DC63-00865A	FILTER-PUMP	WF8804DP,PP,T1.7,W53,L66.95,	1	PC	SA
1.2-1	DC63-00956A	CUSHION-PUMP(L)	AEGIS,BUTYL,T2.5,W42,L15	1	PC	SNA
1.2-2	DC61-02221A	GUIDE-CUSHION	AEGIS,FRPP,W20.3,L40.8,NTR	1	PC	SNA
1.2-3	DC63-00955A	PACKING-PUMP	AEGIS,EPDM,T4,W26.3,L13.2,H	1	PC	SNA
1.2-4	DC73-00022A	SEAL-PACKING	SEW-HVR149ATA,EPDM,BLK,40	1	PC	SNA
1.2-5	DC63-00955A	PACKING-PUMP	AEGIS,EPDM,T4,W26.3,L13.2,H	1	PC	SNA
1.2-6	DC64-01317A	HANDLE-FILTER	HANDLE-FILTER,PP,T2.5,W55,	1	PC	SNA
1.2-7	DC67-00244M	HOSE DRAIN	AEGIS,EPDM,ID6,OD10,T2.0,L270	1	PC	SNA

# 1-3. ASS'Y TUB DRUM



**MODEL CODE: WF1702NHW/XEO**

Service Bom (SA: SERVICE AVAILABLE, SNA: SERVICE NOT AVAILABLE)

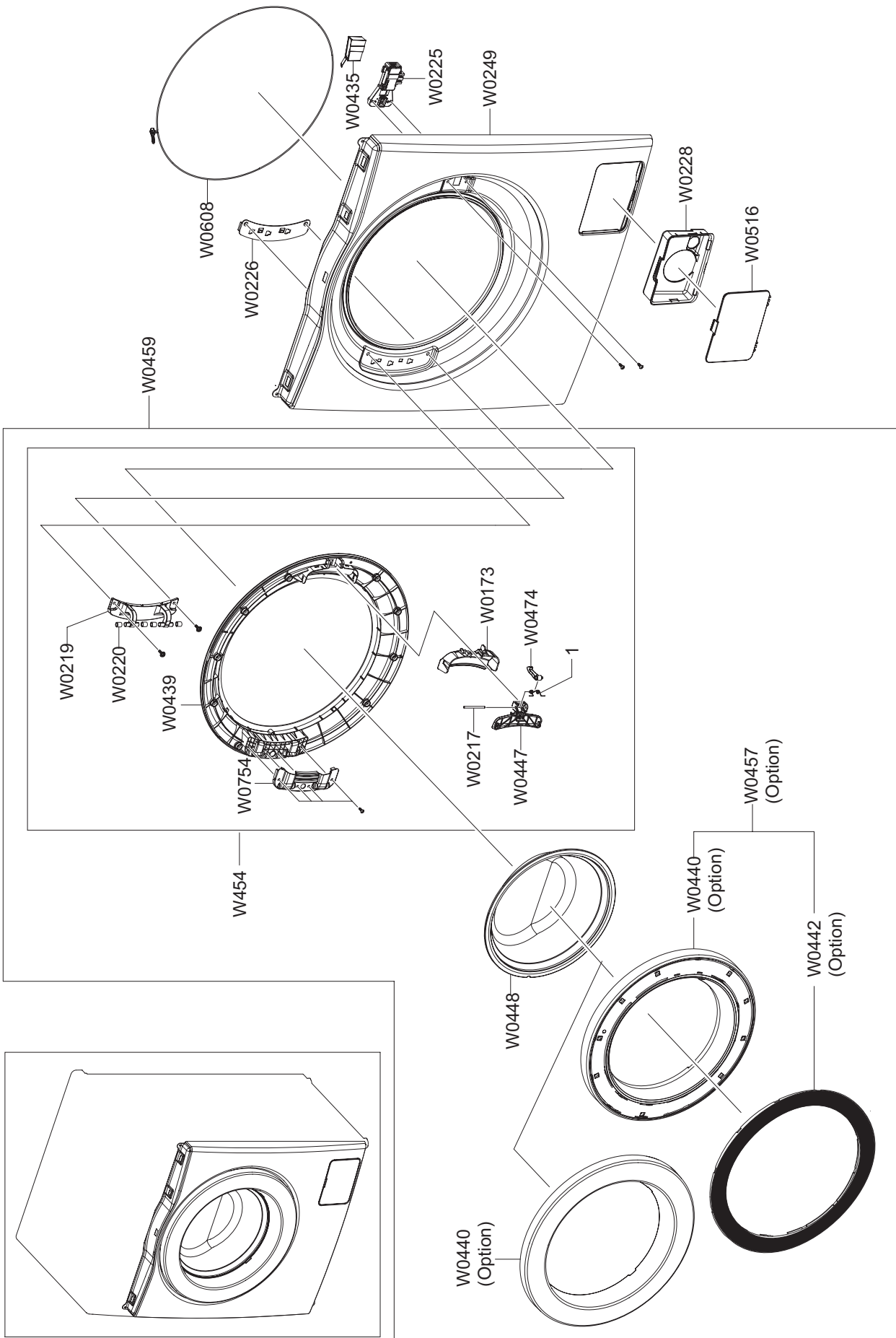
SVC Code	Code No.	Description	Specification	QTY	Un	SA/SNA
W0609	DC93-00015A	ASSY WIRE EARTH	AEGIS,5KG,230V/50HZ,EART	1	PC	SA
W0437	DC67-00355A	HOSE-AIR	AEGIS-PJT,EPDM,ID19.4,OD25.6,T1	1	PC	SNA
W0605	DC97-14637B	ASSY HOSE PRESSURE	AEGIS-PJT,-,-,-,-,-	1	PC	SA
W0165	DC97-15964B	ASSY DRUM	AEGIS-HOMA,J1253S/HAC,7KG,1200	1	PC	SA
W0619	DC66-00523A	DRUM-LIFTER	AEGIS-PJT,PP-TI42,T2.5,L160.	3	PC	SA
W0164	DC97-15963A	ASSY FLANGE SHAFT	AEGIS BIGBANG,WF0702NB	1	PC	SA
W0624	DC67-00334A	HOSE-DRAWER TUB	AEGIS-PJT,EPDM,ID35	1	PC	SA
M0005	DC61-70029C	SPRING-CLIP	SEW-HW125,HSWR,CD1.2,ID8.3,O	2	PC	SNA
W0148	DC62-00008A	SEAL-OIL	NBR,BLK,NBU(PI15)	1	PC	SA
W0622	DC47-00006X	HEATER	SU8E6547-X,HEBA Pjt,SUS 316L,2000	1	PC	SA
W0230	DC61-02199A	BRACKET-HEATER	AEGIS,STS430,T0.6,-,-,-,-	1	PC	SNA
W0612	DC61-40348B	BRACKET-NUT	P1291,SBHG-R,T3,NO-PAINT	3	PC	SNA
G0048	DC97-15413A	ASSY TUB FRONT	AEGIS,WF8600\WF8602,6.0KG	1	PC	SNA
W0636	DC97-15414A	ASSY SEMI TUB FRONT	AEGIS,WF8600\WF8602,	1	PC	SA
W0234	DC64-01664A	DOOR-DIAPHRAGM	AEGIS-PJT,EPDM,T1.5/T3.0,	1	PC	SA
W0632	DC61-02085A	TUB-FRONT	AEGIS 5kg~6kg,FRPP,OD549,NTR,1	1	PC	SA
W0625	DC67-00335A	HOSE-FILTER TUB	AEGIS-PJT,EPDM,ID64.5	1	PC	SA
G0029	DC97-15236A	ASSY SEMI TUB BACK	6KG 1200RPM,AEGIS-PJT	1	PC	SA
W0231	DC67-00483A	WEIGHT-BALANCER(U)	AEGIS-PJT,CONCRETE,15	1	PC	SA
W0209	6602-002836	BELT-TIMING GEAR	1264J5,Elastic,3.2,104%	1	PC	SA
U0116	DC61-01097A	BUSH-MOTOR	PA,NTR,PA66(2110R)	2	PC	SNA
W0618	DC66-00343H	DAMPER-SHOCK	AEGIS-PJT,PP,70N,L197.5,BLK	2	PC	SA
W0088	DC66-00500A	PULLEY-MOTOR	HEBA PJT,ALDC12.2,OD296.8,1	1	PC	SA
G0049	DC60-40144A	BOLT-HEX	SM10C,L35,ZPC2(YEL),M10,ZPC2(YE	2	PC	SA
G0049	6011-001498	BOLT-HEX	M10,L27,ZPC(YEL),SWRCH10AK,WS/N	1	PC	SA
G0049	DC60-40137A	BOLT-HEX	MARS-PJT,STS430,M8,P1.25,L30,HE	3	PC	SA
W0086	DC31-00002L	MOTOR UNIVERSAL-DRUM	UMT5202.01,1400,220	1	PC	SA
W0764	DC67-00538A	WEIGHT-BALANCER(F/L)	AEGIS-PJT,CONCRETE,	1	PC	SA
W0744	DC65-00021A	CLAMPER HOSE-JOINT	HEBA PJT,HSWR,-,ID74/	1	PC	SNA
W0610	DC72-00001H	CLIP-RING	HEBA-PJT,HSWR,PI3.0,ID35,WHT,H	1	PC	SNA
W0610	DC65-60118R	CLIP-RING	AEGIS-PJT,HSWR,T3.0,ID37,WHT	1	PC	SA
W0610	DC65-60125B	CLIP-RING	HSWR,T2.4,PI25,YEL	2	PC	SNA
W0610	DC72-00001G	CLIP-RING	HEBA-PJT,HSWR,T2.4,ID49.5,W18,	1	PC	SNA
W0601	DC97-02412P	ASSY BOLT	AEGIS-PJT,ALL MODEL(WEIGHT-BAL	9	PC	SA
W0601	DC97-14263A	ASSY BOLT	HEBA-PJT,MOTOR/BOLT(M8)+WASHER	4	PC	SA
W0502	DC90-03945A	ASSY TUB&DRUM	AEGIS DECO,WF0702NHL/XSC	1	PC	SNA
W0725	DC67-00230D	HOSE-WATER	AEGIS-PJT,EPDM,ID4.5,OD8,T1.7	1	PC	SNA

---

**MODEL CODE: WF1702NHW/XEO**Service Bom (**SA**: SERVICE AVAILABLE, **SNA**: SERVICE NOT AVAILABLE)

SVC Code	Code No.	Description	Specification	QTY	Un	SA/SNA
M0038	DC91-12077G	ASSY CLAMP DIAPHRAGM	AEGIS,WF8500NHW/YLP	1	PC	SNA
W0726	DC61-02087A	TUB-BACK	AEGIS 6kg,FRPP,OD545.5,NTR,15%F	1	PC	SNA
M0487	DC32-00010B	THERMISTOR	NTSF0123XZ004,R=3.243K $\Omega$ $\pm$ 2%(at	1	PC	SA
M0028	DC69-00824A	PACKING-THERMISTOR	GW-PJT,EPDM,EPDM,-,W1	1	PC	SNA
W0138	6031-001632	WASHER-WAVE	SK5(SCP1),H2,ID30,OD33.8,T0.	1	PC	SNA
W0747	DC66-00593A	DRUM-BACK	AEGIS-BIG BANG,STS430,OD509,T0	1	PC	SNA
W0748	DC66-00520A	DRUM-FRONT	AEGIS-PJT,STS430,ID310.5,OD48	1	PC	SNA
W0764	DC67-00539A	WEIGHT-BALANCER(F/R)	AEGIS-PJT,CONCRETE,	1	PC	SA
1.3-1	DC67-00297A	HOSE-JOINT AIR	HEBA&Aegis-PJT,PP,ID22,OD	1	PC	SNA
1.3-2	DC66-00522A	DRUM-WRAPPER	AEGIS-PJT/6.0kg,STS430,ID48	1	PC	SNA

1-4. ASS'Y FRAME FRONT





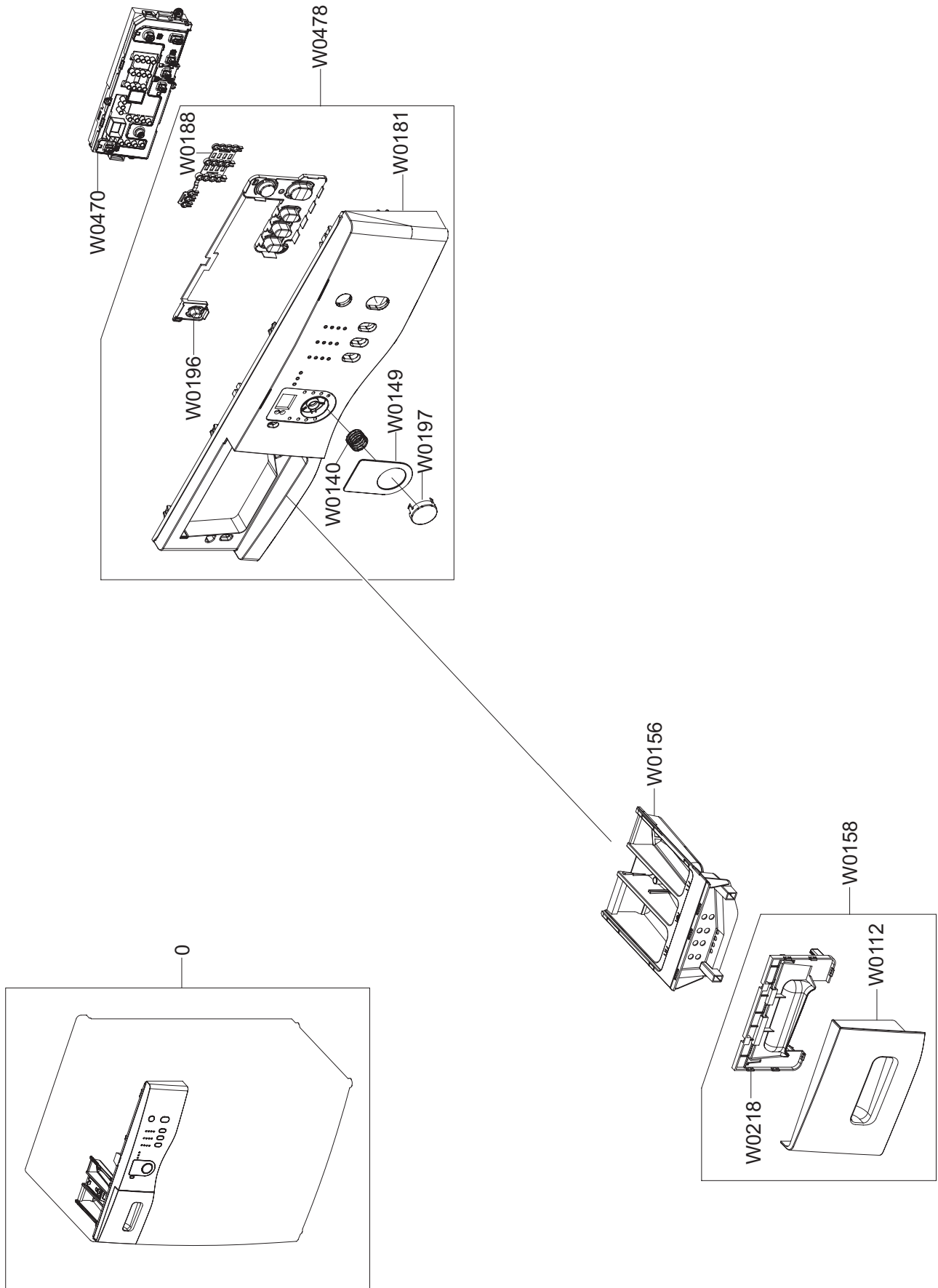
---

**MODEL CODE: WF1702NHW/XEO**

Service Bom (SA: SERVICE AVAILABLE, SNA: SERVICE NOT AVAILABLE)

SVC Code	Code No.	Description	Specification	QTY	Un	SA/SNA
W0516	DC63-00920G	COVER-FILTER	AEGIS ROUND,HIPS,T2.0,W150.	1	PC	SA
W0228	DC61-02090B	GUIDE-FILTER	WF8500NHW,PP,T2.5,W149.3,L1	1	PC	SA
W0225	DC64-01538A	DOOR-LOCK S/W	ZV-446L5,PA66,T19.5,W95,BL	1	PC	SA
W0474	DC66-00519A	LEVER-DOOR	WF8500NHW,ZNDC,T5.7,W14,L46,-	1	PC	SA
W0459	DC97-15194H	ASSY DOOR	AEGIS-2,WF9592FRW,WHT(1PC)	1	PC	SNA
W0219	DC61-02099A	HINGE-DOOR	WF8500NHW,ALDC,T8.0,L155,AEGI	1	PC	SA
W0454	DC97-15192C	ASSY HOLDER GLASS	AEGIS-2,WF9592FQW,PP,T	1	PC	SA
W0226	DC61-02184A	BRACKET-HINGE	WF8500NHW,GI,T1.4,-,-,AE	1	PC	SA
W0754	DC61-02100A	BRACKET-HOLDER	WF8500NHW,GI,T1.4,-,-,A	1	PC	SNA
W0448	DC64-01790A	DOOR-GLASS	AEGIS,NON-HeatTreatment GLASS	1	PC	SA
W0220	DC61-00891A	GUIDE-HINGE	HAUZEN(DOM),POM,-,-,WHT,HI	2	PC	SA
W0447	DC64-01948A	HANDLE-DOOR	WF9604SQR/XSC,POM,T2.0,L107,	1	PC	SA
W0217	DC64-00564A	HANDLE-PIN	Q1636GW/XEU,STS,-,-,-,TS-	1	PC	SA
W0439	DC61-02097A	HOLDER-GLASS	WF8500NHW,PP,T3.0,OD459.5,-	1	PC	SNA
W0440	DC63-00923K	COVER-DOOR	AEGIS,HIPS,T2.5,OD460,DA WHIT	1	PC	SA
W0435	DC63-00967A	COVER-DOOR SWITCH	AEGIS-PJT/ WF8500NHW,P	1	PC	SA
W0249	DC61-02785A	FRAME-FRONT	AEGIS-PJT,EGI-SECC,WHITE,T0.	1	PC	SA
W0173	DC63-00924A	COVER-HANDLE	WF8500NHW,ABS,T2.2,-,L115,-	1	PC	SNA
W0608	DC91-12078E	ASSY WIRE DIAPHRAGM	AEGIS,WF8500NHW/YLP,	1	PC	SA
W0142	DC61-02098A	SPRING ETC-LEVER	WF8500NHW,STAINLESS-STS	1	PC	SA

# 1-5. PANEL-CONTROL & DRAWER

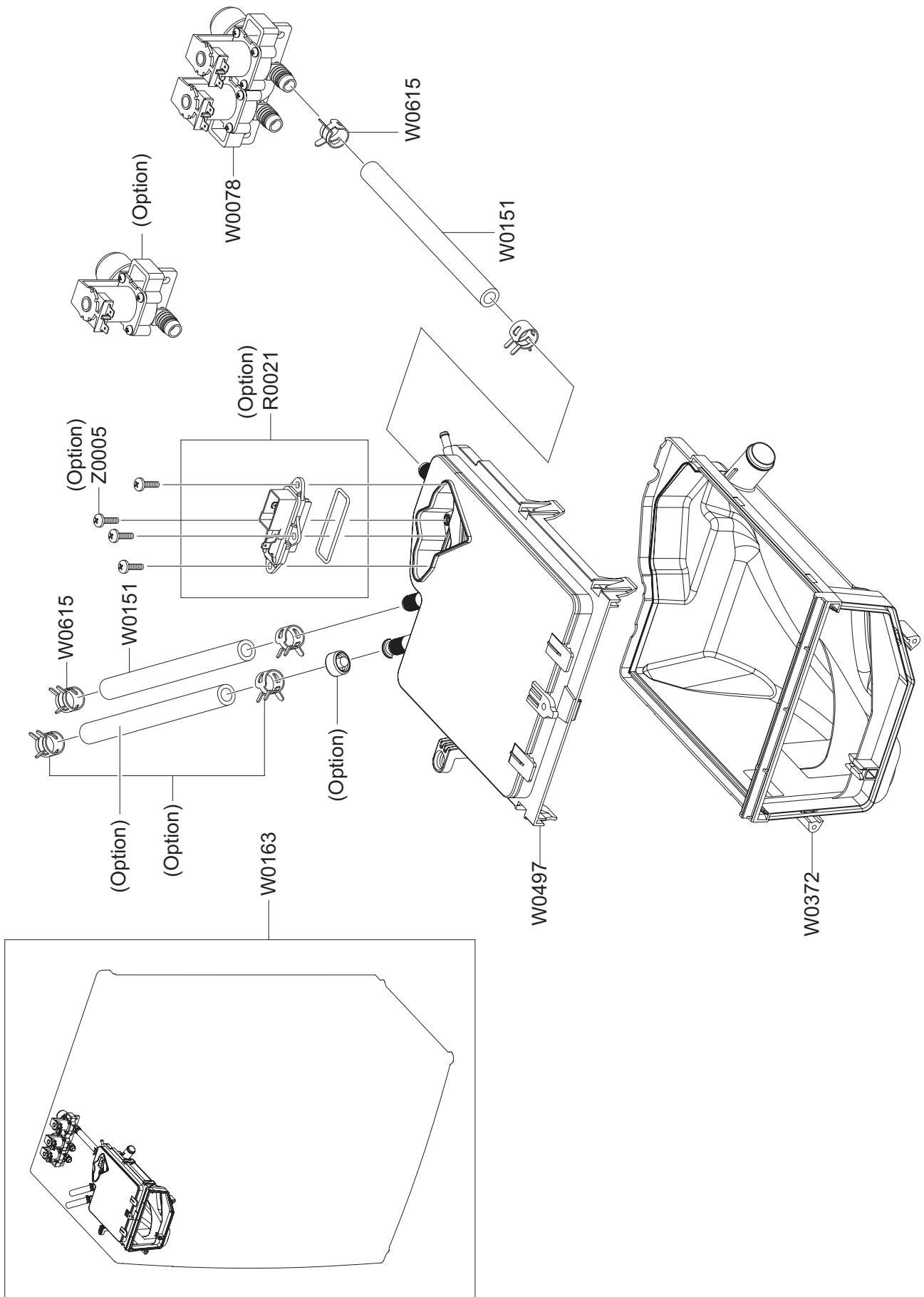


---

**MODEL CODE: WF1702NHW/XEO**Service Bom (**SA**: SERVICE AVAILABLE, **SNA**: SERVICE NOT AVAILABLE)

SVC Code	Code No.	Description	Specification	QTY	Un	SA/SNA
W0149	DC64-01676B	INLAY-PANEL	AEGIS-PJT,PC,T1.0,W56.4,L87.	1	PC	SA
W0478	DC97-16851V	ASSY PANEL CONTROL	AEGIS,WF1702NHW/XEO,7	1	PC	SA
W0470	DC92-00396G	ASSY PCB MAIN	AEGIS DECO,WF1702NHWG/YLE,	1	PC	SA
W0158	DC97-15169A	ASSY PANEL DRAWER	AEGIS-ROUND,WHT/5.0KG,	1	PC	SA
W0156	DC61-02875A	BODY-DRAWER	T-PJT/STANDARD-TYPE,PP,T2.0,	1	PC	SA
W0197	DC64-01797A	BUTTON-PUSH(O)	AEGIS-PJT,ABS,-,-,CHROME	1	PC	SNA
W0188	DC64-01672A	DECORATION-LED	AEGIS BASIC-ROUND,ABS,-,-	1	PC	SNA
W0410	DC61-70181A	SPRING ETC-BUTTON	SEW-745DW,STS304,-,-,-	1	PC	SNA
W0181	DC64-01668A	PANEL-CONTROL	AEGIS-PJT,ABS,T2.5,-,-,-,D	1	PC	SNA
W0196	DC64-01798A	BUTTON-PUSH(F)	AEGIS-PJT/BASIC-MODEL,ABS	1	PC	SNA
W0112	DC64-01673A	PANEL-DRAWER	AEGIS-PJT,ABS,T2.5,DA WHITE	1	PC	SNA
W0218	DC64-01674A	HANDLE-DRAWER	AEGIS-PJT,ABS,T2.5,-,-,-,D	1	PC	SNA

1-6. ASS'Y HOUSING DRAWER



---

**MODEL CODE: WF1702NHW/XEO**Service Bom (**SA**: SERVICE AVAILABLE, **SNA**: SERVICE NOT AVAILABLE)

SVC Code	Code No.	Description	Specification	QTY	Un	SA/SNA
W0615	DC65-00008A	CLAMPER HOSE	SEW-DR605,SK5,-,-,YEL,ID14.	4	PC	SNA
W0163	DC97-15204R	ASSY HOUSING DRAWER	AEGIS 3,PP,7KG,NO AG	1	PC	SA
W0151	DC67-00051B	HOSE-DRAWER	Q1636GW/XEU,EPDM,ID9.0,OD14.	0.4	M	SNA
W0078	DC62-00024F	VALVE-WATER	B1215J,NYLON66/250TRMN,NTR,2	1	PC	SA
W0372	DC61-02105A	HOUSING-DRAWER(L)	WF8500NHW,PP(TB53),T1.	1	PC	SNA
W0497	DC97-16404A	ASSY S.HOUSING DRAWER	AEGIS3,WF0602WQQ/X	1	PC	SNA

---

## 1-7. PARTS LIST (OTHERS PARTS)

### MODEL CODE: WF1702NHW/XEO

Service Bom (SA: SERVICE AVAILABLE, SNA: SERVICE NOT AVAILABLE)

SVC Code	Code No.	Description	Specification	QTY	Un	SA/SNA
W0736	DC97-15190A	ASSY HOUSING BEARING	AEGIS-PJT,1200RPM/6	1	PC	SA
W0740	DC62-40183A	PACKING-TUB	SWF-P12,Rubber,EPDM,BLK	1	PC	SA
W0110	DC60-60044B	WASHER-PLAIN	-,SBC,ID8.4/OD30,T2.0,-,-,-	4	PC	SA
W0085	6001-001773	SCREW-MACHINE	TH,+,-,M5,L12,PASS,STS430,	2	PC	SA
W0215	DC67-00525A	CAP-RINSE	AEGIS3,PP,T2.0,ECO BLUE,AEGIS3	1	PC	SA

## 1-8. PARTS LIST (SCREW PARTS)

### MODEL CODE: WF1702NHW/XEO

Service Bom (SA: SERVICE AVAILABLE, SNA: SERVICE NOT AVAILABLE)

SVC Code	Code No.	Description	Specification	QTY	Un	
W0105	6002-000520	SCREW-TAPPING	TH,+,-,2,M4,L12,ZPC(WHT),S	1	PC	SNA
W0105	6002-000520	SCREW-TAPPING	TH,+,-,2,M4,L12,ZPC(WHT),S	1	PC	SNA
G0425	6009-001367	SCREW-HEX	HWH,+,-,M6.5,L32,ZPC(WHT),SWRC	14	PC	SNA
W0105	6002-001006	SCREW-TAPPING	TH,+,-,2S,M4,L12,PASS,STS4	2	PC	SNA
F0056	6003-001768	SCREW-TAPTYPE	TH,+WT,S,M4,L10,ZPC(WHT),	1	PC	SNA
W0105	6002-000445	SCREW-TAPPING	TH,+2,M4,L18,PASS,STS304	4	PC	SNA
W0105	6002-000520	SCREW-TAPPING	TH,+,-,2,M4,L12,ZPC(WHT),S	1	PC	SNA
W0105	6002-001327	SCREW-TAPPING	PWH,+1,M4,L12,ZPC(WHT),SW	2	PC	SNA
W0105	6006-001174	SCREW-TAPPING	TH,+WE,2S,M4,L12,ZPC(WHT)	7	PC	SNA
W0102	6009-001343	SCREW-SPECIAL	PH,TORX,M4,L10,ZPC(WHT),SW	1	PC	SNA
W0105	6002-001436	SCREW-TAPPING	PH,+2,M4,L18,ZPC(WHT),SWR	4	PC	SNA
W0105	6002-000520	SCREW-TAPPING	TH,+,-,2,M4,L12,ZPC(WHT),S	4	PC	SNA
F0056	6003-001768	SCREW-TAPTYPE	TH,+WT,S,M4,L10,ZPC(WHT),	3	PC	SNA
W0105	6006-001174	SCREW-TAPPING	TH,+WE,2S,M4,L12,ZPC(WHT)	5	PC	SNA
W0105	6002-000632	SCREW-TAPPING	PH,+,-,2S,M4,L16,ZPC(WHT),	2	PC	SNA
W0105	6002-001327	SCREW-TAPPING	PWH,+1,M4,L12,ZPC(WHT),SW	2	PC	SNA
W0105	6006-001174	SCREW-TAPPING	TH,+WE,2S,M4,L12,ZPC(WHT)	2	PC	SNA
W0105	DE60-10080A	SCREW-TAPPING	PWH,+,-,2S,M5,L9,-,SWRCH18	2	PC	SNA
W0085	6001-001773	SCREW-MACHINE	TH,+,-,M5,L12,PASS,STS430,	2	PC	SA
W0105	6002-000471	SCREW-TAPPING	TH,+,-,1,M4,L12,PASS,STS30	2	PC	SNA
W0105	6002-000520	SCREW-TAPPING	TH,+,-,2,M4,L12,ZPC(WHT),S	4	PC	SNA
W0105	6002-000471	SCREW-TAPPING	TH,+,-,1,M4,L12,PASS,STS30	8	PC	SNA
W0105	6002-001436	SCREW-TAPPING	PH,+2,M4,L18,ZPC(WHT),SWR	3	PC	SNA