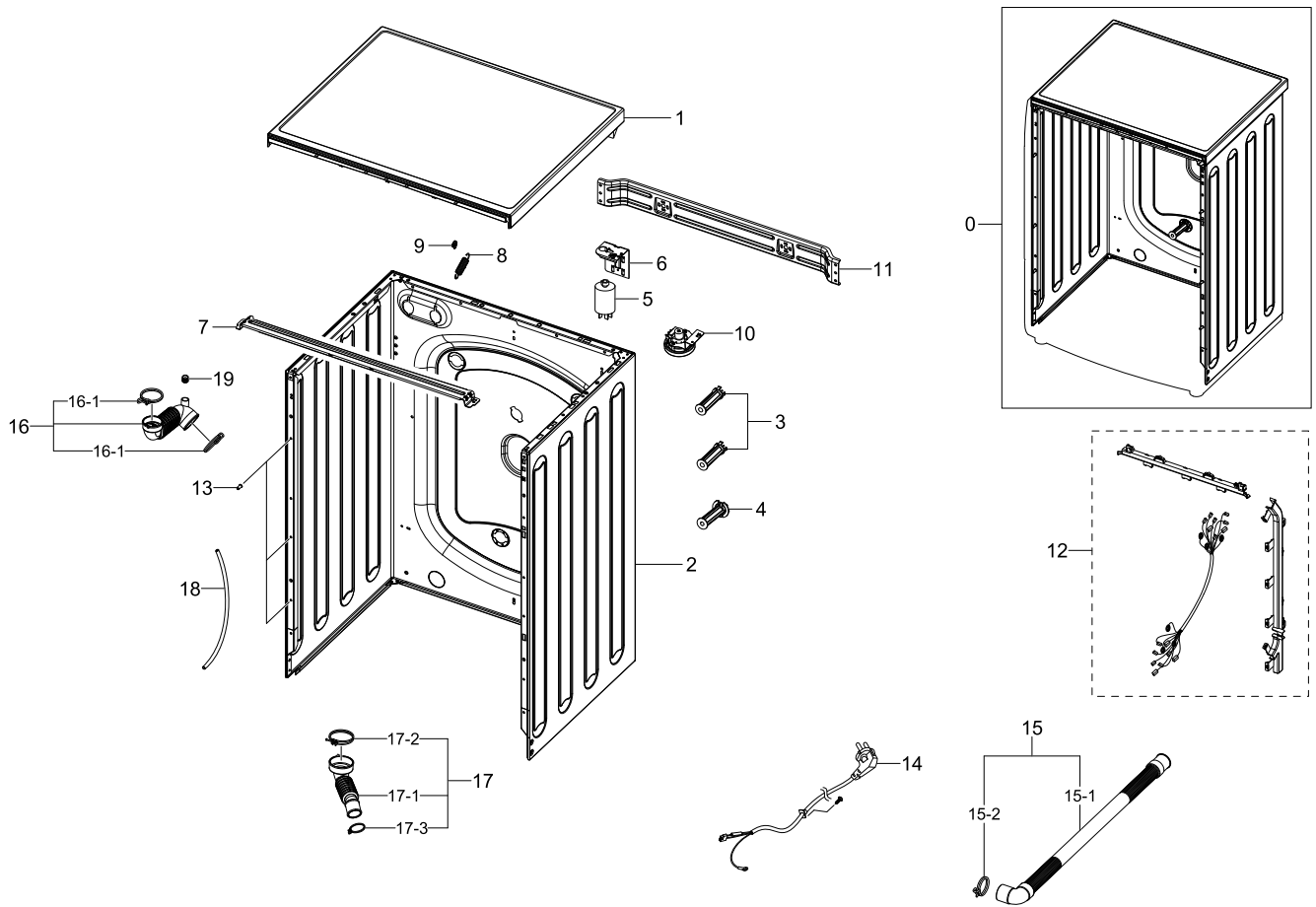


Exploded Views and Parts List

No.	Lvl.	Loc.	Material Code	Description & Specification	SNA	Qty.
9	2	W0216	DC97-16137A	ASSY DRAWER; S-AM PJT,WF0602NXW,PP+ABS,NO	SA	1
10	2	W0163	DC97-16136A	ASSY HOUSING DRAWER; S-AM PJT,WF0602NXW,P	SA	1
11	2	W0078	DC62-30312L	VALVE WATER; 220-240,10,D-2	SA	1
12	1	W0502	DC90-06242A	ASSY TUB & DRUM; S-AM BUBBLE,WF1602WUV	SNA	1
13	2	W0614	DC67-00500A	CAP-FIXER; 8010571,PP,OD37,WHT	SA	3
14	2	G0007	DC97-16232A	ASSY HOSE WATER-708567; 1141817,AMICA-PJT	SA	1
14-1	3	W0757	DC97-17845A	ASSY HOSE WATER; COLD,ALL MODEL	SA	1
15	2	W0626	DC67-00501A	HOSE-HANGER; 8010550,PP,GRY	SA	1

2. Frame & Case Parts

Exploded View



Parts List

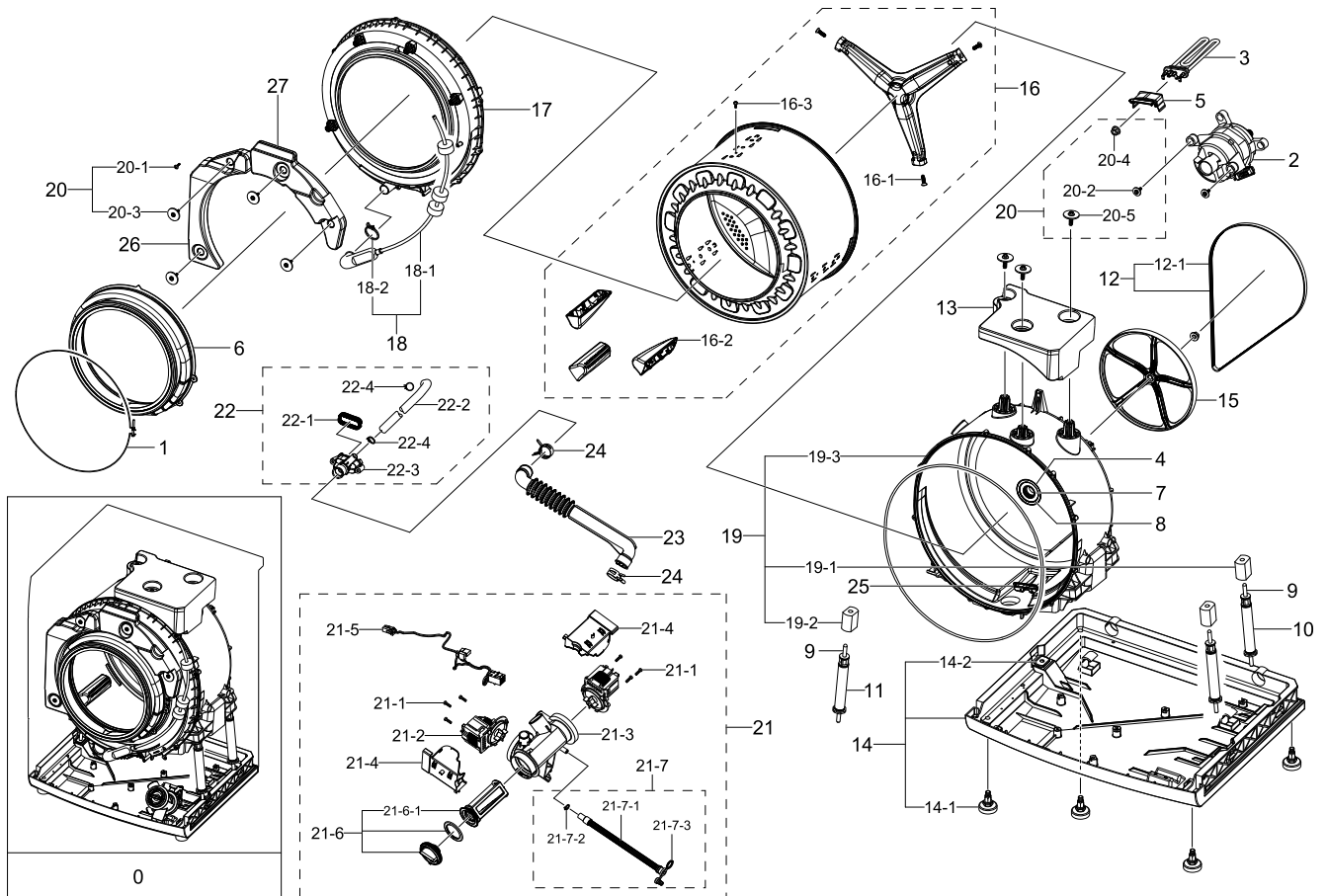
No.	Lvl.	Loc.	Material Code	Description & Specification	SNA	Qty.
1	2	W0183	DC97-16298A	ASSY COVER TOP; S-AM PJT,WF0602NXW,D474.9	SA	1
2	1	F0138	DC97-16253A	ASSY FRAME-9021502; 1143374,AMICA-PJT,902	SC	1
3	2	G0004	DC61-02830A	FIXER-TUB(U); SAM-PJT,PP,T2,L75,OD27/25,8	SNA	2
4	2	G0005	DC61-02831A	FIXER-TUB(L); SAM-PJT,PP,T2,L79,OD35/25,8	SNA	1
5	2	W0229	DC29-00005D	FILTER-EMI; FA-2151T-4 / RDFC-2718,1.2mm	SA	1
6	2	W0227	DC61-02808A	BRACKET-FILTER EMI; WF0602NXW,GI-SGCC,T0.	SA	1
7	2	G0006	DC63-01242A	FRAME-PLATE; 8017921,W580/T1.0,NTR	SA	1
8	2	W0630	DC61-02857A	SPRING ETC-HANGER; HSWR-SWRH,OD14,L63.7,5	SA	1
9	2	W0140	DC62-00302A	GUIDE-SPRING; POM,OD12.3 / ID4.2,H5.6,WHT	SA	1
10	2	W0607	DC96-01703A	ASSY SENSOR PRESSURE; Hook	SA	1

Exploded Views and Parts List

No.	Lvl.	Loc.	Material Code	Description & Specification	SNA	Qty.
11	2	G0003	DC61-02833A	BRACKET-FIX; 8036543,GI-SGCC,T0.8,W60,L59	SNA	1
12	2	W0080	DC93-00178D	ASSY M.GUIDE WIRE HARNESS; S-AM PJT,WF160	SA	1
13	2	F0134	DC63-01238A	CAP-GUIDE FRAME FRONT; POM,OD13.5,H19,801	SA	6
14	2	W0081	DC96-00146E	ASSY POWER CORD; VDE,UCP2,250V16A,H05VV-F	SA	1
15	2	W0604	DC97-16236A	ASSY HOSE DRAIN(O); 705822	SA	1
15-1	3	F0143	DC67-00516A	HOSE DRAIN-(O); PP+EPDM,L1992,GRY,8015286	SA	1
15-2	3	F0106	DC72-00091A	CLIP-RING; 8012815,HSCR,T2.0,ID24.2	SA	1
16	2	G0021	DC97-16233B	ASSY HOSE DRAWER TUB; S-AM,WF0602,BLACK	SA	1
16-1	3	W0610	DC72-00001G	CLIP-RING; HEBA-PJT,HSWR-SWRH,T3.0,ID49.5	SA	2
17	2	G0018	DC97-16235A	ASSY HOSE-FILTER TUB,705813; 1143305,AMIC	SA	1
17-1	3	W0625	DC67-00506A	HOSE-FILTER TUB; 8010536,EPDM,BLK	SA	1
17-2	3	F0103	DC72-00088A	CLIP-RING; 8019252/SAM-PJT,HSWR,T2.0,L33	SA	1
17-3	3	F0104	DC72-00089A	CLIP-RING; 8013908,HSWR,T3	SA	1
18	2	W0437	DC67-00498A	HOSE-AIR; S-AM PJT/ WF0602NXW,EPDM,ID12.0	SA	1
19	2	G0001	DC60-00083A	BUSH-HOSE; FRPP,ID14,OD20.2,L34,8013725	SA	1

3. Assy Tub & Drum

Exploded View



Parts List

No.	Lvl.	Loc.	Material Code	Description & Specification	SNA	Qty.
0	1	W0502	DC90-06242A	ASSY TUB & DRUM; S-AM BUBBLE,WF1602WUV	SNA	1
1	2	M0038	6049-001182	ASSY CLAMP DIAPHRAGM; S-AM PJT,8010380,wi	SA	1
2	2	W0086	DC31-00002Z	MOTOR UNIVERSAL-DRUM; Gj-2UA009A,1400,220	SA	1
3	2	W0237	DC47-00034A	HEATER-WASH; S-AM,SUS316L,2000,8.69,230V,	SA	1
4	2	W0148	DC62-00306B	SEAL-OIL; S-AM,EPDM,BLK,W11,H52	SA	1
5	2	W0235	DC63-01224A	COVER-HEATER; S-AM,ABS,T2.5,W91.4,L46.3,V	SA	1
6	2	W0234	DC64-02402A	DOOR-DIAPHRAGM; S-AM,EPDM,T2.5,H78,w396,l	SA	1
7	2	G0041	DC66-00620A	BEARING-BALL; 8013403,T14,ID20,OD47	SA	1
8	2	G0041	DC66-00621A	BEARING-BALL; .,8013404,SAM-PJT,T15,ID25,	SA	1

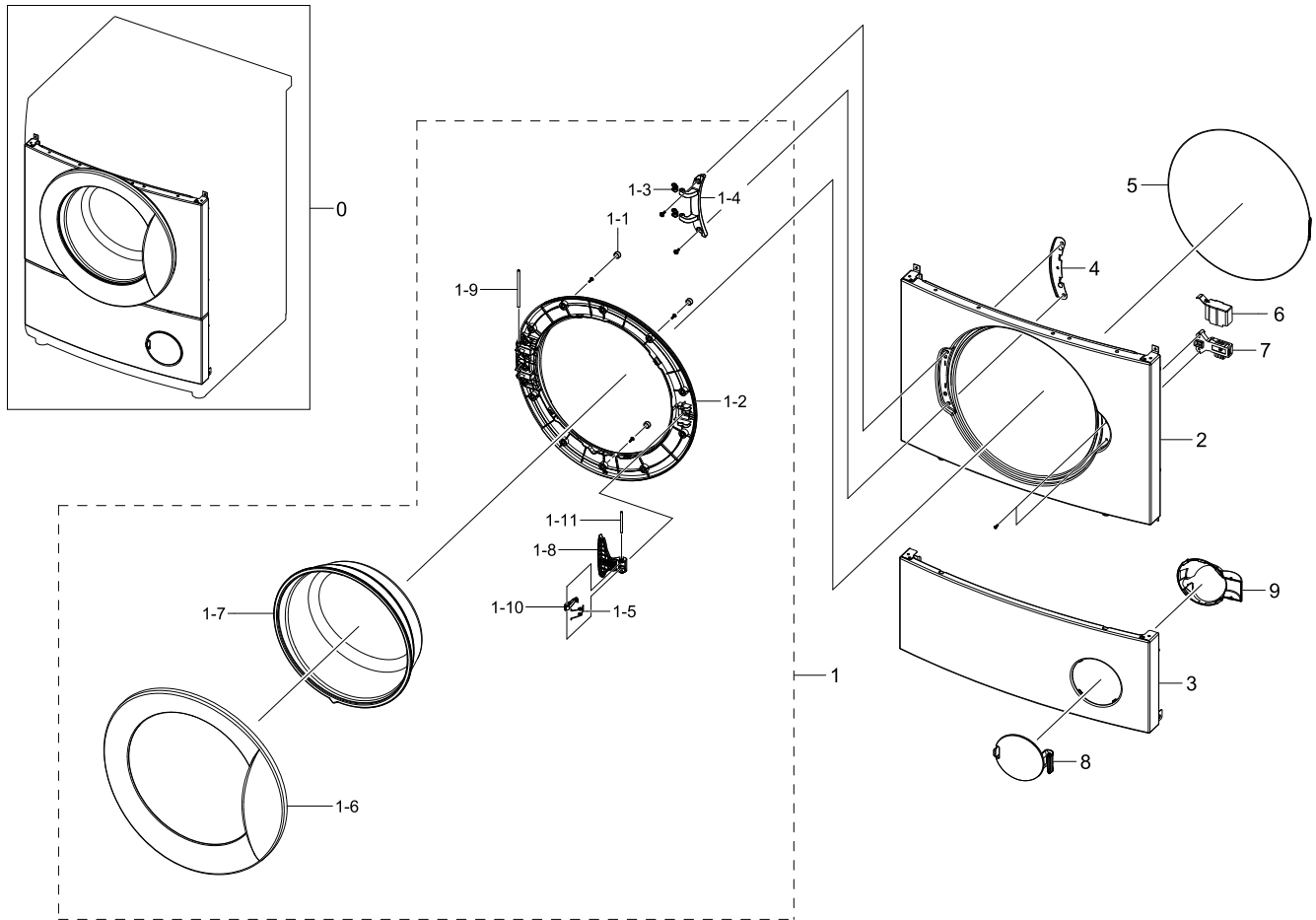
Exploded Views and Parts List

No.	Lvl.	Loc.	Material Code	Description & Specification	SNA	Qty.
9	2	W0212	DC66-00626A	DAMPER-PIN; 8037285,SAM-PJT,STEEL+PP+RUBB	SA	3
10	2	W0211	DC66-00627A	DAMPER-SHOCK(R); 8029508, SAM-PJT,STEEL+P	SA	2
11	2	W0210	DC66-00628A	DAMPER-SHOCK(L); 8029504,STEEL+PP+RUBBER,	SA	1
12	2	W0209	DC66-00629A	BELT-TIMING GEAR; 731737	SNA	1
12-1	3	W0209	DC66-00630A	BELT-TIMING GEAR; 8010387,EPDM,T3.3,BLK	SA	1
13	2	W0231	DC67-00521A	WEIGHT-BALANCER(U); 8037283, SAM-PJT,CONC	SA	1
14	2	W0487	DC90-03775B	ASSY BASE; S-AM,WF0602NXW	SA	1
14-1	3	M0057	DC61-02841A	LEG; SAM-PJT,8018385,D34.5	SA	4
14-2	3	G0014	DC66-00622A	DAMPER-RUBBER(A); SAM-PJT,CR RUBBER,T21,W	SA	2
15	2	W0434	DC93-00189A	PULLEY MOTOR; SAM-PJT/8017632	SA	1
16	2	W0165	DC97-16138E	ASSY DRUM; S-AM BUBBLE PJT,WF1602WUV,D492	SA	1
16-1	3	G0049	DC60-00086A	BOLT-HEX; SAM-PJT,STAINLESS-ST5430,L24	SA	3
16-2	3	W0619	DC66-00619A	DRUM-LIFTER; 8010429,PP,L178.5,T3,W48.2	SA	3
16-3	3	F0125	6002-001506	SCREW-TAPPING; BH,+,NO,2,M4,L13,ZPC(WHT),	SA	2
17	2	G0048	DC97-16221B	ASSY TUB FRONT; S-AM BUBBLE PJT,WF1602WUV	SA	1
18	2	W0418	DC97-16266B	ASSY-PRESSURE TUB; S-AM PJT,WF0602,EPDM	SA	1
18-1	3	W0745	DC67-00511B	HOSE-PRESSURE; WF0602,EPDM,ID4.5,OD8,T1.7	SA	1
18-2	3	F0107	DC72-00092A	CLIP-RING; 8012488,HSWR,T2.0,L28.5	SA	1
19	2	W0422	DC97-16344A	ASSY TUB-SUB; S-AM PJT,WF0602NXW/XEO	SNA	1
19-1	3	G0014	DC66-00622A	DAMPER-RUBBER(A); SAM-PJT,CR RUBBER,T21,W	SA	2
19-2	3	P0010	DC66-00624A	DAMPER-RUBBER(C); SAM-PJT,CR RUBBER,T21,W	SA	1
19-3	3	G0029	DC97-16223A	ASSY SEMI TUB BACK-732038; 1142420,S-AM-P	SC	1
20	2	W0420	DC97-16345F	ASSY-CONNECTED PARTS; S-AM BUBBLE PJT,WF1	SNA	1
20-1	3	F0125	6002-001506	SCREW-TAPPING; BH,+,NO,2,M4,L13,ZPC(WHT),	SA	2
20-2	3	F0133	6002-001509	SCREW-TAPPING; HWH,-,WP,2,M6,L25,ZPC(WHT)	SA	2
20-3	3	G0049	6011-003873	BOLT-HEX; OD12.5,L30,SWRCH10A	SA	4
20-4	3	G0013	6021-001460	NUT-ETC; OD25.5/M12,ZPC(WHT),SWRCH,801061	SA	1
20-5	3	G0049	DC60-00088A	BOLT-HEX; L35,8022017/pad D45 / pad T3.2/	SA	1

No.	Lvl.	Loc.	Material Code	Description & Specification	SNA	Qty.
21	2	W0194	DC97-16646A	ASSY PUMP DRAIN; S-AM BUBBLE PJT,WF1602WU	SNA	1
21-1	3	F0117	6002-001498	SCREW-TAPPING; BH,+,NO,2,M4,L16,ZPC(WHT),	SA	2
21-2	3	M0022	DC31-00030A	PUMP-DRAIN; B20-6 / S3001,220V-240V,50Hz,	SA	2
21-3	3	W0479	DC61-03141A	CASE-PUMP; WF1602WUV/XEO,PP,T3.0,OD105,L1	SA	1
21-4	3	W0213	DC63-00830B	COVER-PUMP; COVER-PUMP,PP,T1.3,W60.5,L75,	SA	2
21-5	3	W0224	DC93-00016F	ASSY WIRE HARNESS-PUMP; S-AM PJT,WF1602WU	SA	1
21-6	3	G0050	DC97-15695B	ASSY FILTER; S-AM BUBBLE PJT,WF1602WUV,2W	SA	1
21-6-1	4		DC64-01317A	HANDLE-FILTER; PP,-,-	SA	1
21-7	3	G0009	DC97-16243A	ASSY HOSE PUMP DRAIN; 705820	SA	1
21-7-1	4	U2015	DC67-00244C	HOSE-DRAIN; WF0804Y8E,EPDM,ID6,OD11,T2.5,	SA	1
21-7-2	4	W0610	DC72-00087A	CLIP-RING; 8012818	SA	1
21-7-3	4	W0613	DC61-10673A	CAP-DRAIN; PP,-,-,BJ-730,-	SA	1
22	2	G0421	DC97-16676A	ASSY HOSE-CIRCULATION; S-AM BUBBLE PJT,WF	SNA	1
22-1	3	G0051	DC62-00296A	SEAL-CONNECTOR; WF0804Y8E,EPDM,SCOUT-PJT	SA	1
22-2	3	G0052	DC67-00471D	HOSE CIRCULATION; WD-F900C PJT,EPDM,ID9.0	SA	1
22-3	3	G0055	DC67-00588A	HOSE-CONNECTOR; WF1602WUV/XEO,FRPP-GF15,N	SA	1
22-4	3	F0108	DC72-00093A	CLIP-RING; 8018311,HSWR,T1.8	SA	2
23	2	G0053	DC67-00589A	HOSE-AIR TUB; WF1602WUV/XEO,EPDM,ID 3.0,O	SA	1
24	2	W0615	DC61-00158A	CLAMPER HOSE; SW65ASP,SK5,ID23,T0.8,-	SA	1
25	2	W0230	DC61-02810B	BRACKET-HEATER; STAINLESS-ST5430,T0.5,W80	SA	1
26	2	W0233	DC65-00030B	WEIGHT-BALANCER(L); SAM-PJT,CONCRETE,T55,	SA	1
27	2	W0232	DC65-00031B	WEIGHT-BALANCER(R); SAM-PJT,CONCRETE,T55,	SA	1

4. Assy Frame Front & Door

Exploded View



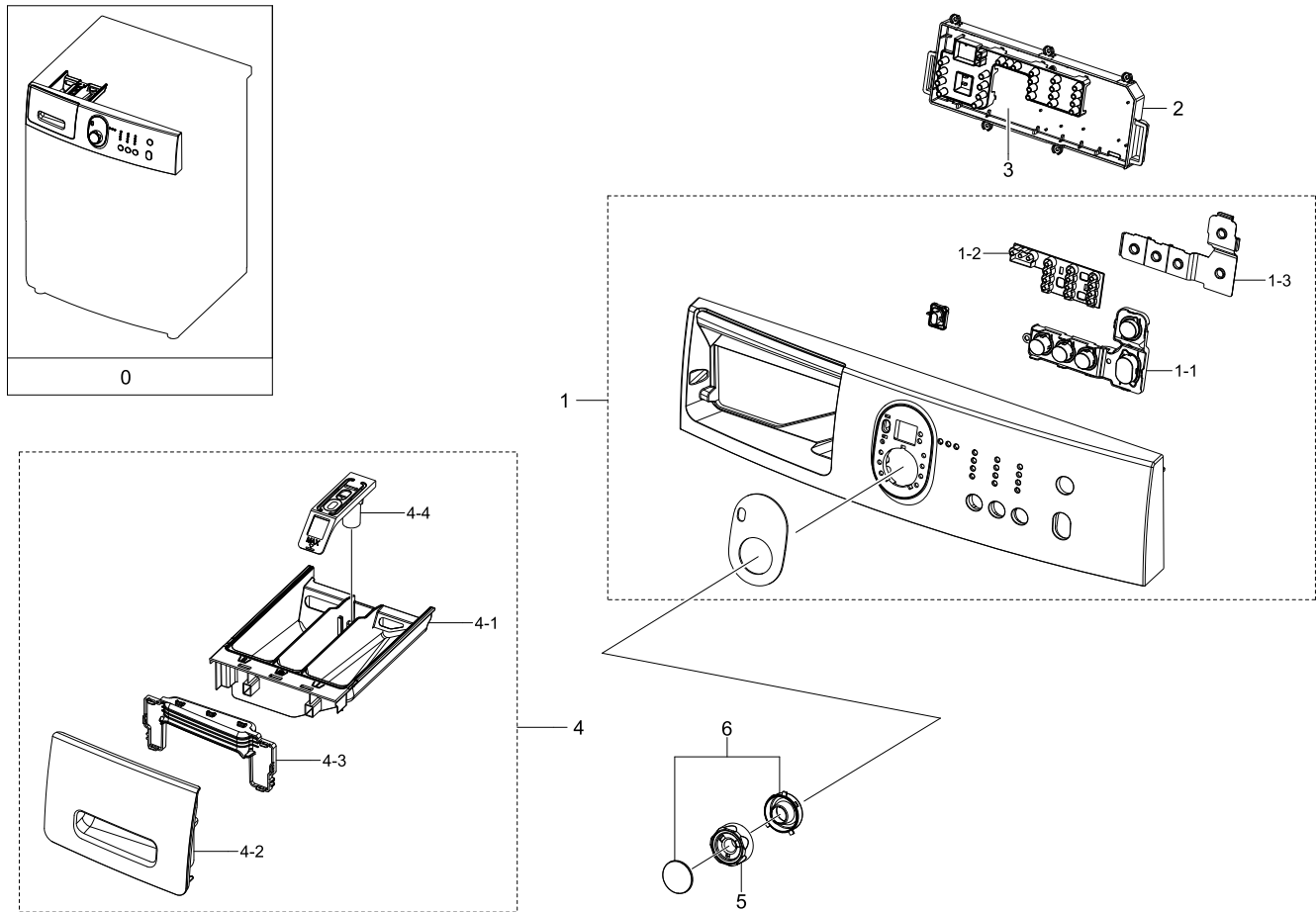
Parts List

No.	Lvl.	Loc.	Material Code	Description & Specification	SNA	Qty.
1	2	W0459	DC97-16135B	ASSY DOOR; S-AM PJT,WF0502NUV,OD450,SILVE	SA	1
1-1	3	W0468	DC67-00530C	CAP-SCREW; WF0602,EPDM,50,GRAY,H/NESS 50/	SA	2
1-2	3	W0439	DC61-02802B	HOLDER-GLASS; WF0502NUV,PP,T2.8,W449,L449	SA	1
1-3	3	W0220	DC61-02803A	GUIDE-HINGE; WF0602NXW,POM,T1.5,W14.5,L12	SA	2
1-4	3	W0219	DC61-02812A	HINGE-DOOR; WF0602NXW,ALDC,T8.8,W155.5,L4	SA	1
1-5	3	W0142	DC61-02858B	SPRING ETC-LEVER; HSWR-SWRH,T1.4	SA	1
1-6	3	W0440	DC63-01225B	COVER-DOOR; WF0502NUV,ABS,T2.8,W450,L450,	SA	1
1-7	3	F0129	DC64-02428A	DOOR GLASS; 8030889 / SAM-PJT,GLASS,T5,OD	SA	1

No.	Lvl.	Loc.	Material Code	Description & Specification	SNA	Qty.
1-8	3	W0447	DC64-02430A	HANDLE-DOOR; 8030961/SAM-PJT,ABS,T2.5,L66	SA	1
1-9	3	W0217	DC64-02520A	HANDLE-PIN; S-AM,STS,OD 5,L95,NTR,FUNCTIO	SA	1
1-10	3	F0130	DC66-00615A	LEVER DOOR; 8030962,POM	SA	1
1-11	3	W0217	DC64-02431A	HANDLE-PIN; 8030949/SAM-PJT,STS,L54,OD4,N	SA	1
2	1	W0253	DC97-16254B	ASSY FRAME FRONT; SAM-PJT,WF0600,colamina	SNA	1
3	1	G0406	DC97-16250B	ASSY PAINT FRAME-L; SAM-PJT,WF0600,cplami	SNA	1
4	2	W0226	DC61-02809A	BRACKET-HINGE; WF0602NXW,GI-SGCC,T0.6,W39	SA	1
5	2	W0404	DC39-00042A	WIRE-DIAPHRAGM; 8010379/SAM-PJT,NTR,15g	SA	1
6	2	W0435	DC63-01223A	COVER-DOOR SWITCH; S-AM/ WF-A602NBS,ABS,T	SA	1
7	2	W0225	DC64-01538C	DOOR-LOCK S/W; ZV-446L9,PA,T19.5,W95.3,BL	SA	1
8	2	W0516	DC63-01213A	COVER-FILTER; WF-A602NBS,ABS,T3.0,OD109,L	SA	1
9	2	W0228	DC61-02772B	GUIDE-FILTER; WF1602WUV/XEO,ABS,T2.0,H110	SA	1

5. Assy Panel Control & Drawer

Exploded View



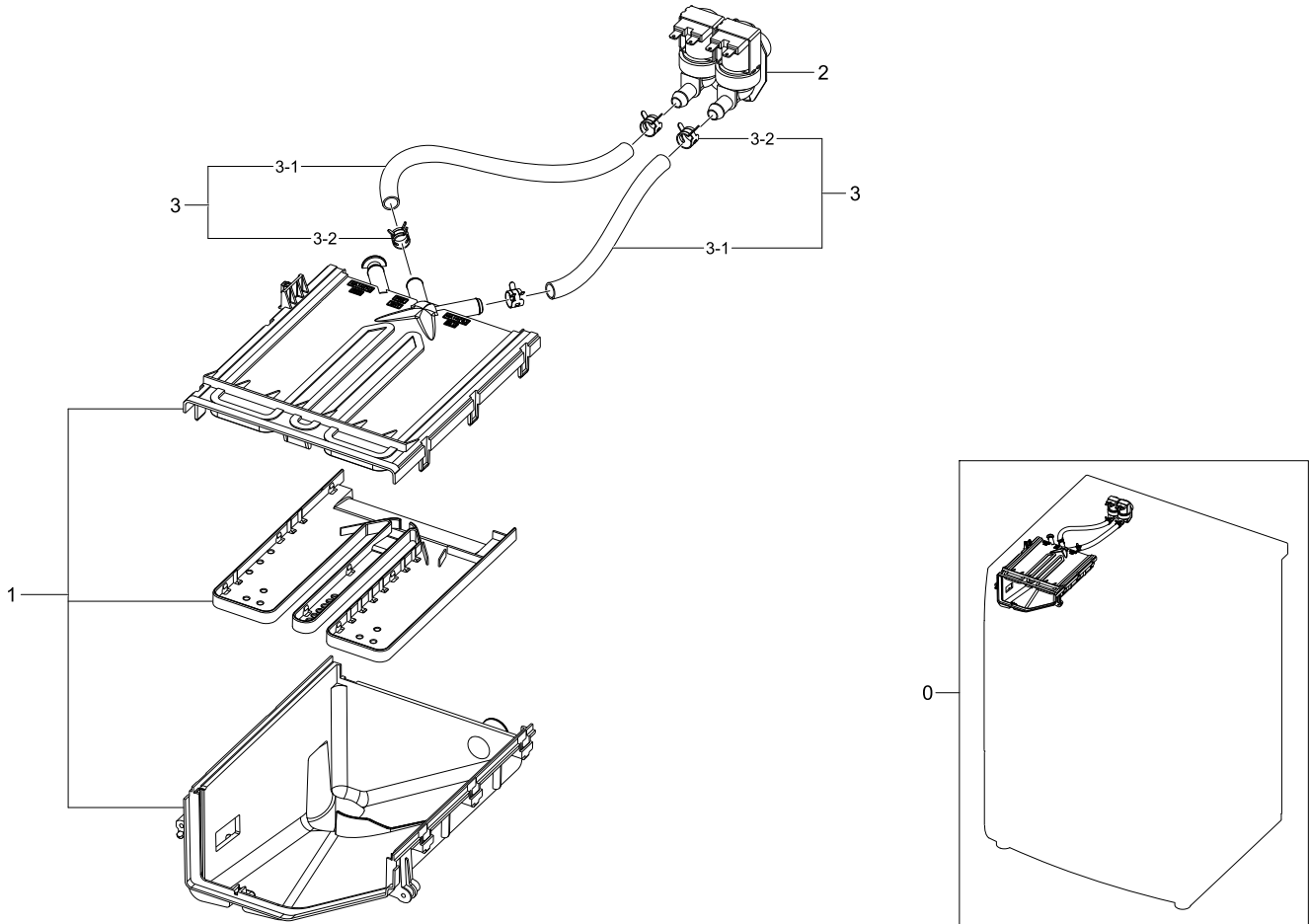
Parts List

No.	Lvl.	Loc.	Material Code	Description & Specification	SNA	Qty.
1	2	W0478	DC97-16352E	ASSY PANEL CONTROL; S-AM,WF1602WUV/XEO,GO	SA	1
1-1	3	W0196	DC64-02395A	BUTTON-PUSH(F); S-AM,ABS,NTR,FUNCTION	SA	1
1-2	3	W0188	DC64-02399A	DECORATION-LED; S-AM,PMMA,T2.0,TRP	SA	1
1-3	3	G0405	DC63-01388A	COVER-BUTTON; S-AM / WF0602,EPDM,T0.7,W14	SA	1
2	2	W0470	DC92-00365C	ASSY PCB MAIN; AMICA,WF05,WF06,5KG,6KG,12	SA	1
3	2	W0469	DC92-00518T	ASSY PCB SUB; S-AM,WF0602,6KG,230V/50Hz,J	SA	1
4	2	W0216	DC97-16137A	ASSY DRAWER; S-AM PJT,WF0602NXW,PP+ABS,NO	SA	1
4-1	3	W0156	DC61-02804A	BODY-DRAWER; WF0602NXW,PP,T1.8,L213,W164,	SA	1

No.	Lvl.	Loc.	Material Code	Description & Specification	SNA	Qty.
4-2	3	W0112	DC64-02392A	PANEL-DRAWER; WF0602NXW,ABS,T2.8,W195.6,L	SA	1
4-3	3	W0218	DC64-02393A	HANDLE-DRAWER; WF0602NXW,ABS,T2.6,W172,L7	SA	1
4-4	3	W0215	DC67-00493A	CAP-RINSE; WF0602NXW,PP,T2.0,W33.3,L116.3	SA	1
5	2	W0193	DC64-02398B	KNOB-ENCODER; WF1602WUV,ABS,T2.0,W45,L45,	SA	1
6	2	G0056	DC97-16656A	ASSY DECO ENCODER; S-AM BUBBLE PJT,WF1602	SA	1

6. Assy Housing Drawer

Exploded View

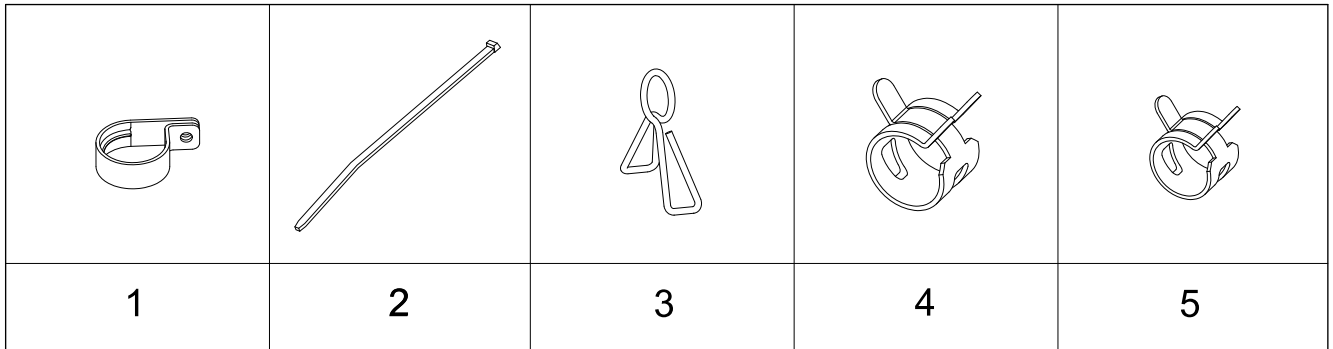


Parts List

No.	Lvl.	Loc.	Material Code	Description & Specification	SNA	Qty.
1	2	W0163	DC97-16136A	ASSY HOUSING DRAWER; S-AM PJT,WF0602NXW,P	SA	1
2	2	W0078	DC62-30312L	VALVE WATER; 220-240,10,D-2	SA	1
3	2	G0043	DC97-16234A	ASSY HOSE DRAWER; 705799	SA	1
3-1	3	W0151	DC67-00505A	HOSE-DRAWER; 8010352,EPDM,BLK	SA	2
3-2	3	W0610	DC72-00087A	CLIP-RING; 8012818	SA	4

7. Small Parts

Exploded View



Parts List

No.	Lvl.	Loc.	Material Code	Description & Specification	SNA	Qty.
1	2	W0616	DC61-00118A	CLAMPER HOSE-FIX; P1291,PA66,ID27,OD30	SA	1
2	2	P0016	DC64-02427A	CABLE TIE; 8015046/SAM-PJT,T1.0,L100,NTR,	SA	1
3	2	M0005	DC61-70029B	SPRING-CLIP; SEW-6HW111,HSWR-SWRH,CD1.2,I	SA	1
4	2	W0615	DC61-00158A	CLAMPER HOSE; SW65ASP,SK5,ID23,T0.8,-	SA	1
5	2	W0615	DC61-01679B	CLAMPER HOSE; SEW-HFR167AR,SK5,-,T1.0/ID2	SA	1