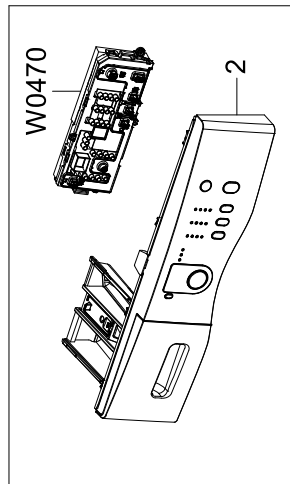
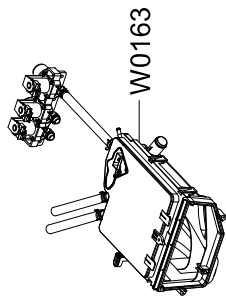
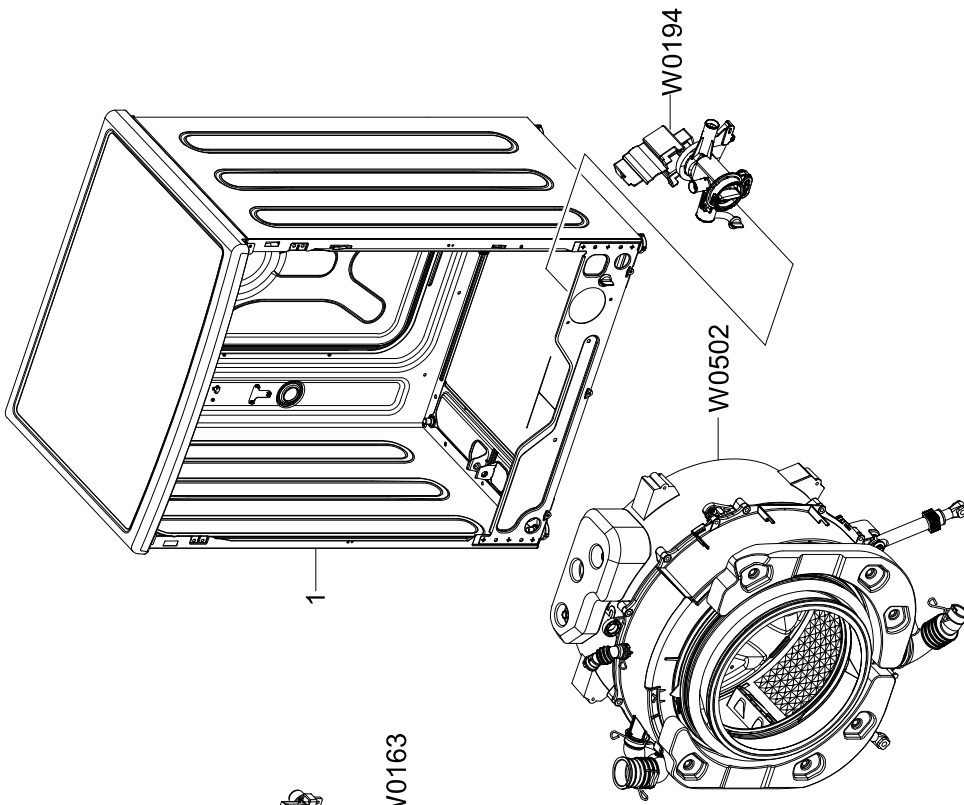





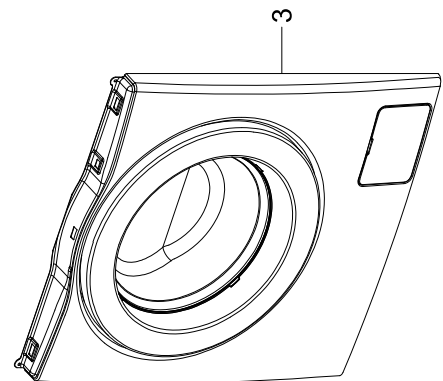
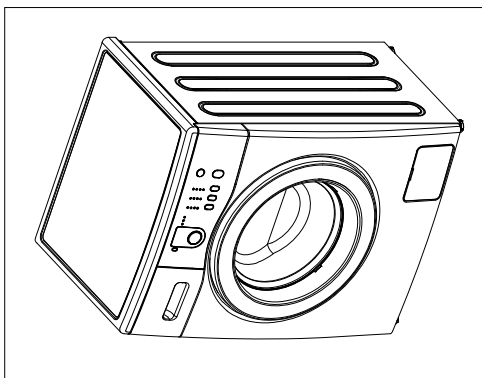


1. Main



	W0626
	W0757
	W0614
	W0614
	4

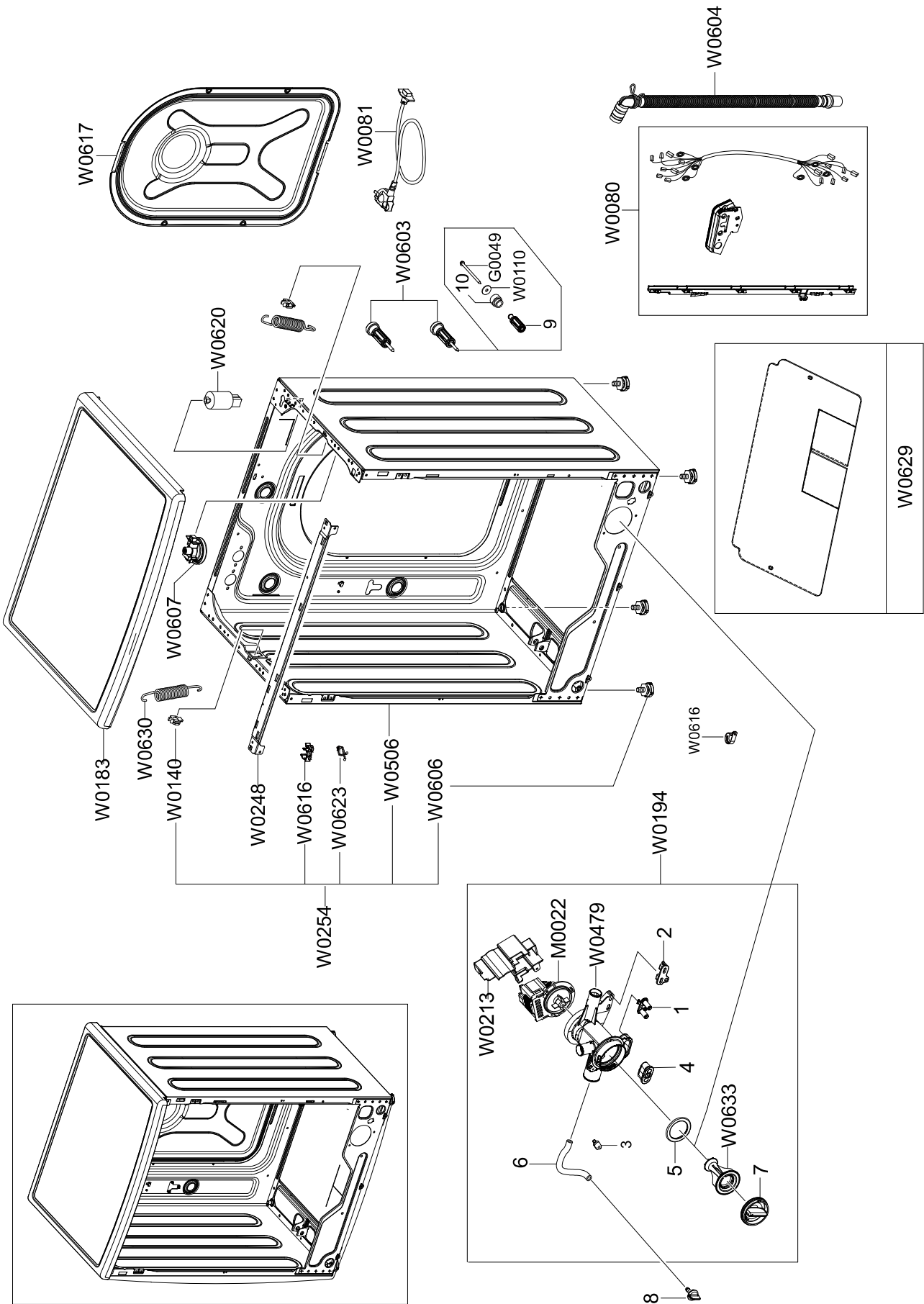


Model code: wF1602nHwG/YIE

Service Bom (sa: SERVICE AVAILABLE, sna: SERVICE NOT AVAILABLE)

svc code		description	Specification	Qty	Un	sa/ sna
W0502		ASSY TUB&DRUM	AEGIS-BIGBANG,WF0602NBE/XE	1	PC	SNA
W0163		ASSY HOUSING DRAWER	AEGIS-PJT,COLD WATER	1	PC	SA
W0194		ASSY PUMP DRAIN	AEGIS,NO-BUBBLE,220V 50H	1	PC	SA
W0470		ASSY PCB MAIN	AEGIS DECO,WF1602NHW/XET,2	1	PC	SA
W0626		HOSE HANGER	PUMP MODEL,PP,BLACK	1	PC	SA
W0614		CAP-FIXER	WF438AAC/XAA,PP,T1.5,BLK,RM60	4	PC	SA
W0757		ASSY HOSE WATER	HEBA,WF8804,REFLEX,BLUE/	1	PC	SA
W0614		CAP-FIXER	WF8602NHS/XFA,PP,T1.5,P535-H,B	1	PC	SA
1	-	FRAME & COVER PARTS	-	1	-	-
2	-	PANEL-CONTROL & DRAWER	-	1	-	-
3	-	ASSY-FRAME FRONT	-	1	-	-
4		FASTENER-BOLT	ALL,CR,OD36,2.5,L113.5	1	PC	SA

2. FraME & covEr Parts

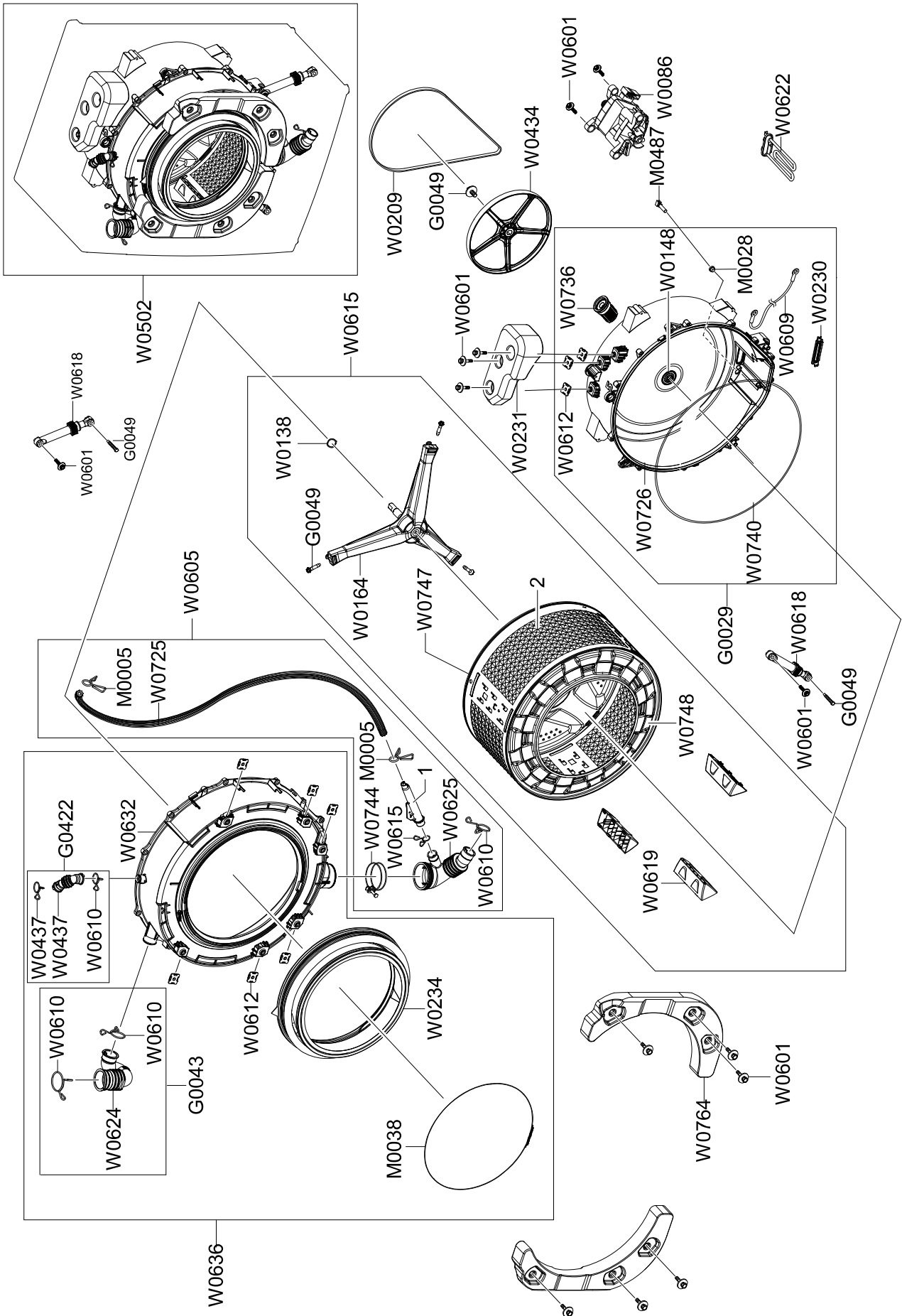


ModEl code: wF1602nHwG/YIE

Service Bom (sa: SERVICE AVAILABLE, sna: SERVICE NOT AVAILABLE)

svc code	code no.	description	Specification	Qty	Un	sa/ sna
W0620		FILTER EMI	DFC-2712R,P/PV/SLIM,250V,12,P	1	PC	SA
W0616		CLAMPER HOSE-FIX	P1291,PA66,ID27,OD30	1	PC	SA
W0630		SPRING ETC-HANGER	AEGIS-PJT,HSWR-SWRH,CD	2	PC	SA
W0607		ASSY SENSOR PRESSURE	Hook	1	PC	SA
W0183		ASSY COVER TOP	AEGIS GOOD,AEGIS-PJT,ABS,	1	PC	SA
W0248		FRAME PLATE-UP	WF8600NHW,GI-SGCC,NATURAL	1	PC	SA
W0254		ASSY PAINT FRAME	AEGIS-PJT,WF8500NHW,PCM	1	PC	SA
W0617		COVER BACK	WF8600NMW,GI-SGCC,T0.35,W352,	1	PC	SA
W0623		HOLDER WIRE	DAWH-2NC,PA,-,NATURAL,-	6	PC	SA
W0616		CLAMPER HOSE-FIX	P1291,PP,-,HOSE+PLUG,BJ	2	PC	SNA
W0603		ASSY FIXER TUB	SCOUT,WF0804Y8E/XEF	4	PC	SA
W0194		ASSY PUMP DRAIN	AEGIS,NO-BUBBLE,220V 50H	1	PC	SA
M0022		PUMP-DRAIN	B20-6 / S3001,220V-240V,50Hz,	1	PC	SA
W0479		CASE PUMP	AEGIS,PP,T3.0,W167,L108,WHT,-	1	PC	SA
W0633		FILTER PUMP	WF8804DP,PP	1	PC	SA
W0213		COVER PUMP	COVER-PUMP,PP,T1.3,W50,L77,V0	1	PC	SNA
W0506		ASSY FRAME	Aegis-PJT,WF8500NHW,PCM,T0.7,	1	PC	SNA
W0140		GUIDE SPRING	WF8500NMW,POM,T3.5,W24,L40.	2	PC	SNA
W0629		SHUTTER	AEGIS-PJT,PP,5V-A,NATURAL	1	PC	SNA
W0606		ASSY LEG	-,ALL EXCEPT AUSTRALI MODEL,L33	4	PC	SA
G0049		BOLT HEX	SEW-3HR105,SM10C,HEX,L114.5,-,M	4	PC	SNA
W0110		WASHER PLAIN	SBC,ID8.4/OD30,T2.0	4	PC	SA
W0080		ASSY M.GUIDE WIRE HARNESS	AEGIS-DECO-PJT	1	PC	SA
W0081		ASSY POWER CORD	VDE,UCP2,250V16A,H05VV-F	1	PC	SA
W0604		ASSY HOSE DRAIN(O)	Aegis-PJT,SSEC,-,L175	1	PC	SA
1		GUIDE CUSHION	AEGIS,FRPP,W16.8,L40.8,NTR	1	PC	SNA
2		CUSHION PUMP-LEFT	AEGIS,BUTYL,T2.5,W42,L	1	PC	SNA
3		PACKING-PUMP	AEGIS,EPDM,W26.3,L13.2,H14.	1	PC	SNA
4		PACKING-PUMP	AEGIS,PAPER,EPDM,T3,W45,L22	1	PC	SNA
5		SEAL PACKING	SEW-HVR149ATA,EPDM,BLK,-	1	PC	SNA
6		HOSE DRAIN	AEGIS,EPDM,ID6,OD10,T2.0,L270	1	PC	SNA
7		HANDLE FILTER	PP,-,-	1	PC	SNA
8		CAP DRAIN	WF1802XEY/XSC,FRPP,BLACK	1	PC	SA
9		FIXER TUB	WF8804,FRPP,NTR,HEBA	4	PC	SNA
10		FIXER RUBBER	WF0804Y8E/XEF,EPDM,OD25/ID1	4	PC	SNA

3. ass'Y tUB&drUM



ModEl code: wF1602nHwG/YIE

Service Bom (sa: SERVICE AVAILABLE, sna: SERVICE NOT AVAILABLE)

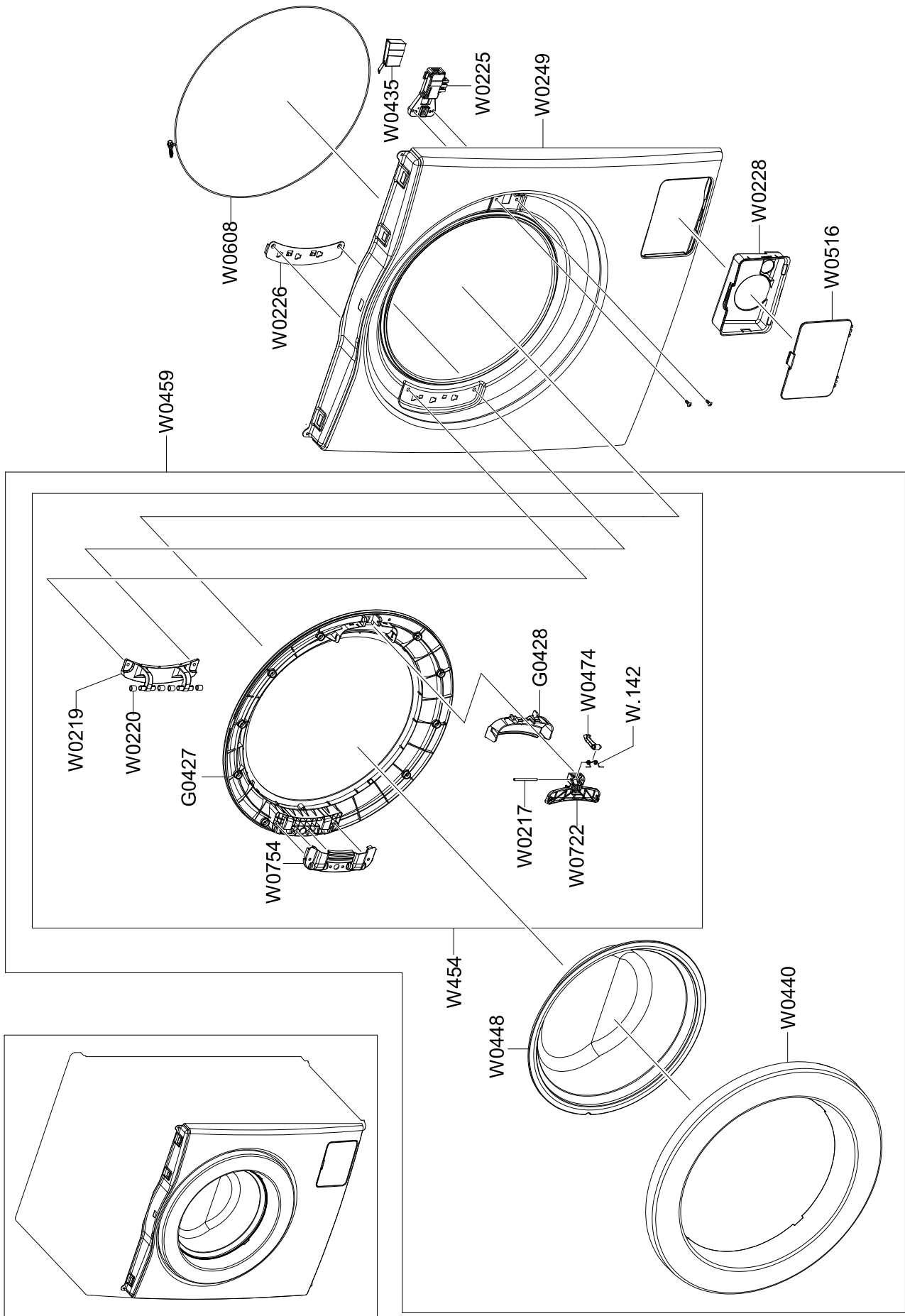
svc code	code no.	description	Specification	Qty	Un	sa/ sna
W0502		ASSY TUB&DRUM	AEGIS-BIGBANG,WF0602NBE/XE	1	PC	SNA
W0636		ASSY SEMI TUB FRONT	AEGIS,5KG/WASH	1	PC	SA
G0422		ASSY HOSE AIR	AEGIS_PJT,WF8500NMW/YAH,EP	1	PC	SNA
W0610		CLIP RING	HSWR-SWRH,PI2.4,ID25,-	2	PC	SNA
W0437		HOSE AIR	AEGIS-PJT,EPDM,ID19.4,OD25.6,T1	1	PC	SNA
G0043		ASSY HOSE DRAWER	AEGIS_PJT,WF8500NMW/YAH	1	PC	SNA
W0610		CLIP RING	AEGIS-PJT,HSWR-SWRH,T3.0,ID37,	1	PC	SA
W0624		HOSE DRAWER TUB	AEGIS-PJT,EPDM,ID35	1	PC	SA
W0610		CLIP RING	HEBA-PJT,HSWR-SWRH,T3.0,ID49.5	1	PC	SNA
W0605	-	ASSY HOSE PRESSURE	AEGIS-PJT,-,-,-,-	1	PC	SA
W0632		TUB FRONT	AEGIS 5kg~6kg,FRPP,OD549,NTR,1	1	PC	SA
W0612		BRACKET NUT	SBHG-R,T3,NO-PAINT	6	PC	SNA
M0038		ASSY CLAMP DIAPHRAGM	AEGIS,WF8500NHW/YLP	1	PC	SNA
W0234		DOOR DIAPHRAGM	AEGIS-PJT,EPDM,T1.5/T3.0,	1	PC	SA
W0615		CLAMPER HOSE	SK5,WLSL1100A,ID24 OD26.4	1	PC	SNA
M0005		CLIP RING	SEW-HW125,HSWR,WHITE	2	PC	SNA
W0744		CLAMPER HOSE-JOINT	HEBA PJT,HSWR-SWRH,ID	1	PC	SNA
W0725		HOSE WATER	AEGIS-PJT,TPE,ID4.5,OD8,T1.75	1	PC	SNA
W0625		HOSE FILTER TUB	AEGIS-PJT,EPDM,ID64.5	1	PC	SA
W0610		CLIP RING	HEBA-PJT,HSWR-SWRH,PI3.0,ID35,	1	PC	SNA
W0209		BELT-TIMING GEAR	T3.4/1270-4J,RUBBER(GAT	1	PC	SA
G0029		ASSY SEMI TUB BACK	AEGIS-PJT,1200RPM,5KG	1	PC	SA
W0148		SEAL OIL	Q1044/SEW-6HW111,NBR,BLACK,-,-,	1	PC	SA
W0612		BRACKET NUT	SBHG-R,T3,NO-PAINT	3	PC	SNA
M0028		PACKING-THERMISTOR	GW-PJT,EPDM,-,-,W17,H	1	PC	SNA
W0609		ASSY WIRE EARTH	AEGIS,5KG,230V/50HZ,EART	1	PC	SA
W0740		PACKING-TUB	SWF-P12,Rubber,EPDM,BLK	1	PC	SA
W0230		BRACKET HEATER	WD0704CQR,STAINLESS-ST543	1	PC	SA
W0726		TUB BACK	AEGIS 5kg 1200RPM,FRPP,OD545.5,	1	PC	SNA
W0736		ASSY HOUSING BEARING	AEGIS-PJT,1200RPM/6	1	PC	SNA
W0165		ASSY DRUM	AEGIS-BIGBANG,WF0602NBE,6KG,12	1	PC	SA
W0138		WASHER-WAVE	SK5(SCP1),H2.0,ID25,OD28.8,T	1	PC	SNA
G0049		BOLT HEX	MARS-PJT,STAINLESS-ST5430,M8,P1	3	PC	SA
W0748		DRUM FRONT	AEGIS-PJT,STAINLESS-ST5430,ID	1	PC	SNA
W0619		DRUM LIFTER	AEGIS-PJT,PP,T2.5,L160.8,TI4	3	PC	SA
W0747		DRUM BACK	AEGIS-BIG BANG,STAINLESS-ST543	1	PC	SNA
W0164		ASSY FLANGE SHAFT	AEGIS BIGBANG,WF0602NB	1	PC	SA

ModEl code: wF1602nHwG/YIE

Service Bom (sa: SERVICE AVAILABLE, sna: SERVICE NOT AVAILABLE)

svc code	code no.	description	Specification	QtY	Un	sa/sna
W0622		HEATER	SU8E6547-V,-,SUS 316L,2000W,8.26~	1	PC	SA
W0618		DAMPER SHOCK	AEGIS-PJT,PP,70N,L197.5,BLK	2	PC	SA
W0601		ASSY BOLT	AEGIS-PJT,ALL MODEL(WEIGHT-BAL	9	PC	SA
W0601		ASSY BOLT	HEBA-PJT,MOTOR/BOLT(M8)+WASHER	4	PC	SA
G0049		BOLT-HEX	M10,L27,ZPC(YEL),SWRCH10AK,WS/N	1	PC	SA
W0434		PULLEY MOTOR	AEGIS-PJT,ALDC,ID17xW14,OD2	1	PC	SA
W0231		WEIGHT BALANCER-UP	AEGIS-PJT,CONCRETE,15	1	PC	SA
W0764		WEIGHT-BALANCER(F/L)	AEGIS-PJT,CONCRETE,	1	PC	SA
W0764		WEIGHT-BALANCER(F/R)	AEGIS-PJT,CONCRETE,	1	PC	SA
M0487		THERMISTOR	-,11982OHM AT 25°C,-,-55~155,-	1	PC	SNA
W0086		MOTOR UNIVERSAL-DRUM	UML 5204.01,1400,22	1	PC	SA
G0049		BOLT HEX	SM10C,L35,ZPC2(YEL),M10,ZPC2(YE	2	PC	SA
1		HOSE JOINT AIR	HEBA&Aegis-PJT,PP,L167.3,	1	PC	SNA
2		DRUM-WRAPPER	AEGIS-BIG BANG/6.0kg,STAINL	1	PC	SNA

4. ass'Y FraME Front

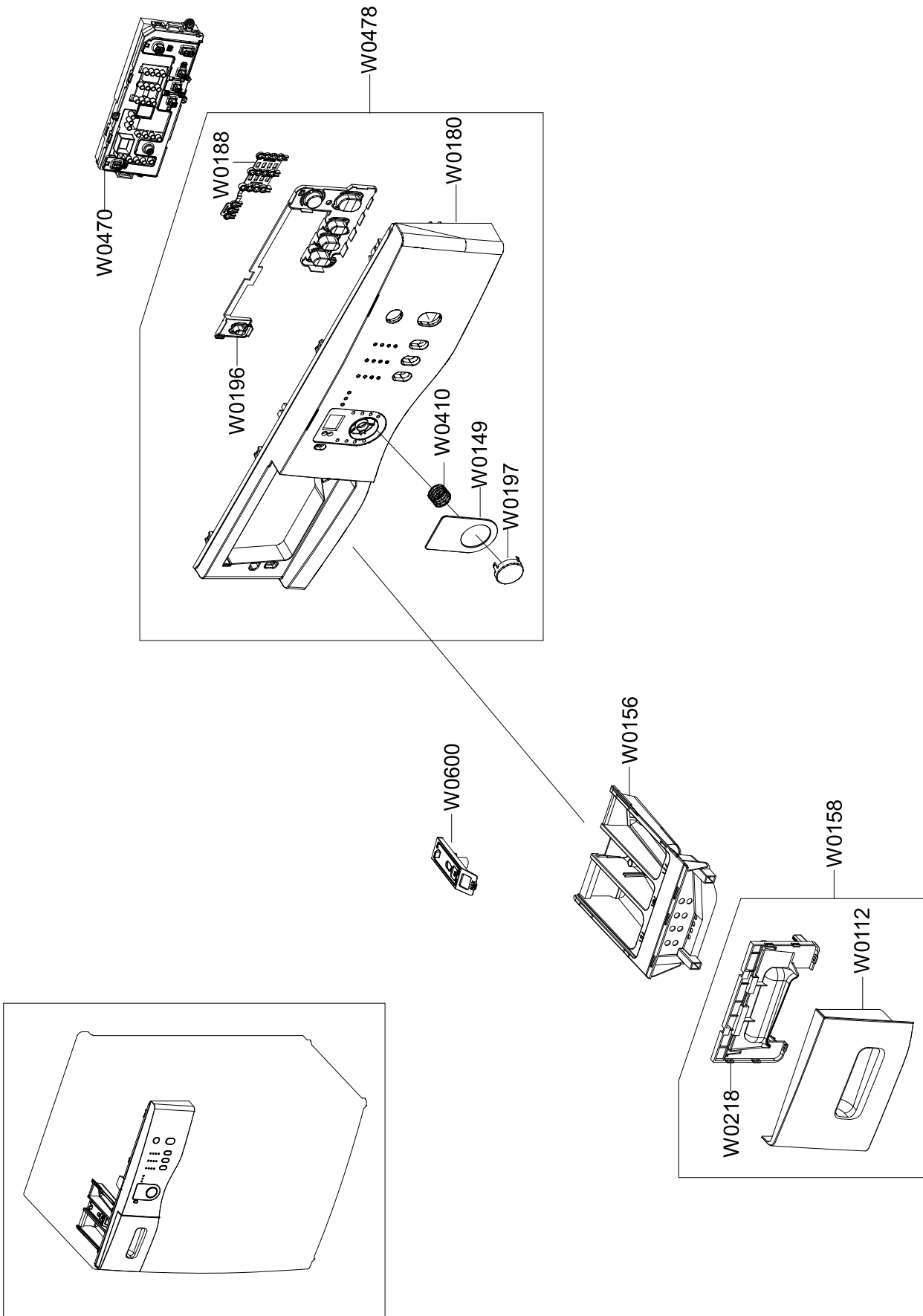


ModEl code: wF1602nHwG/YIE

Service Bom (sa: SERVICE AVAILABLE, sna: SERVICE NOT AVAILABLE)

svc code	code no.	description	Specification	Qty	Un	sa/ sna
W0228		GUIDE FILTER	WF8500NHW,PP,T2,W149.3,L114	1	PC	SA
W0249		FRAME FRONT	AEGIS-PJT,EGI-SECC,WHITE,T0.	1	PC	SA
W0516		COVER-FILTER	WF8500NHW,ABS,T2.5,W115.5,L	1	PC	SA
W0226		BRACKET HINGE	WF8500NHW,GI-SGCC,T1.4,AEG	1	PC	SA
W0435		COVER DOOR SWITCH	AEGIS-PJT/ WF8500NHW,P	1	PC	SA
W0225		DOOR-LOCK S/W	ZV-446L5,PA,W95,L52,WHITE,	1	PC	SA
W0608		ASSY WIRE DIAPHRAGM	AEGIS,WF8500NHW/YLP,	1	PC	SA
W0459		ASSY DOOR	AEGIS BB,WF0602NCW/XEC,OD460,W	1	PC	SNA
W0454		ASSY HOLDER GLASS	AEGIS-2,WF9592FQW,PP,T	1	PC	SA
W0220		GUIDE HINGE	HAUZEN(DOM),POM,-,-,-,WHT,HI	2	PC	SA
G0427		HOLDER GLASS	WF8500NHW,PP,T3.0,OD459.5,-	1	PC	SNA
W0142		SPRING ETC LEVER	WF8500NHW,STAINLESS-ST5	1	PC	SA
W0219		HINGE DOOR	WF8500NHW,ALDC,T8.0,L155,AEGI	1	PC	SA
W0754		BRACKET HOLDER	WF8500NHW,GI-SGCC,T1.4,AE	1	PC	SNA
G0428		COVER HANDLE	WF8500NHW,ABS,T2.2,-,L115,-	1	PC	SA
W0217		HANDLE PIN	Q1636GW/XEU,STS,-,-,-,-,TS-	1	PC	SA
W0722		HANDLE DOOR	WF9604SQR/XSC,POM,T2.0,WHT,A	1	PC	SA
W0474		LEVER DOOR	WF8500NHW,ZNDC,T5.7,W10.7,L46	1	PC	SA
W0440		COVER DOOR	WF8500NMW,ABS,T2.5,OD460,-,-,	1	PC	SC
W0448		DOOR GLASS	AEGIS,GLASS,T5.0,W353.0	1	PC	SA

5. PanEl-control & drawEr

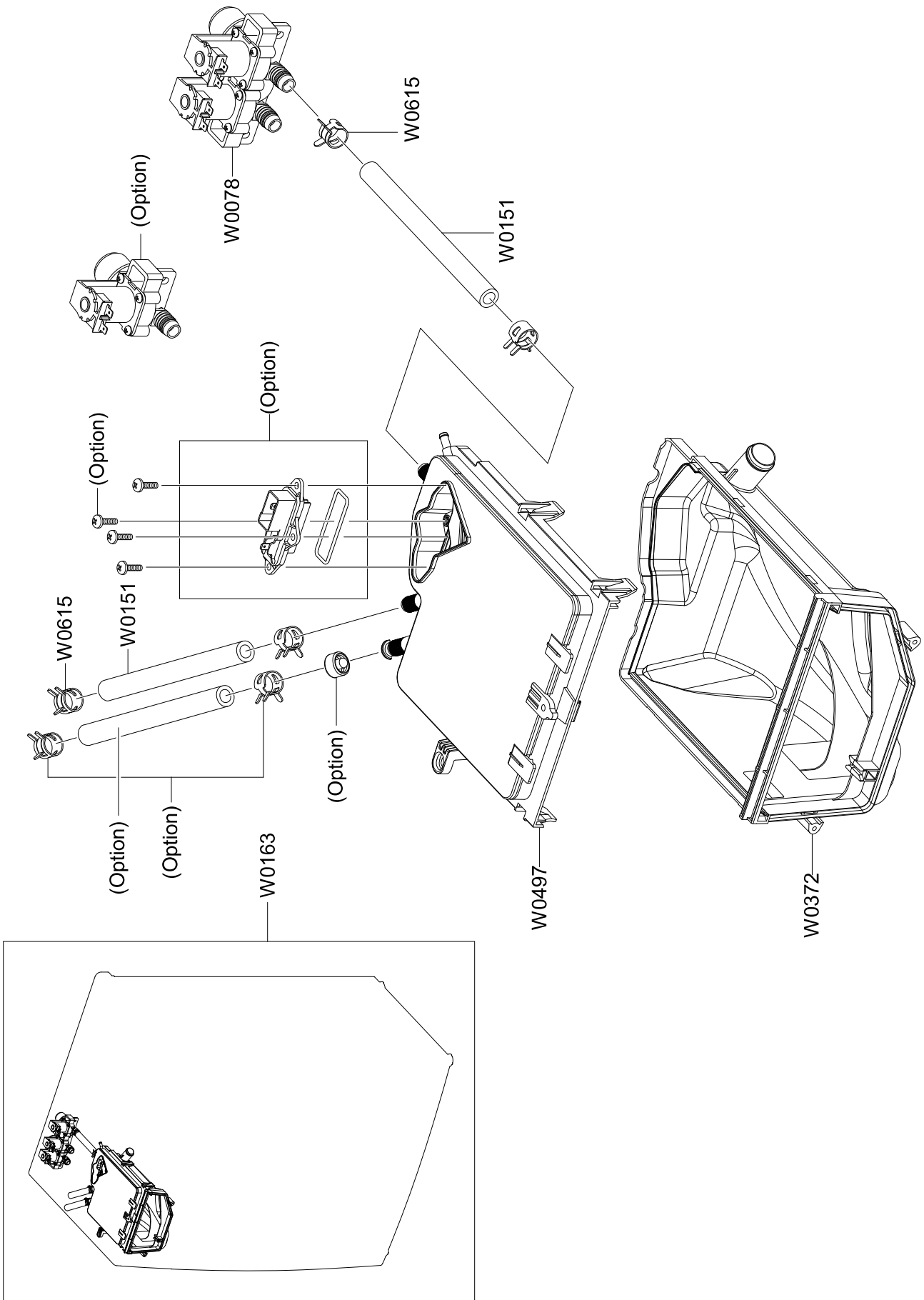


Model code: wF1602nHwG/YIE

Service Bom (sa: SERVICE AVAILABLE, sna: SERVICE NOT AVAILABLE)

svc code	code no.	description	Specification	Qty	Un	sa/ sna
W0600		STOPPER DRAWER	WF8500NHW,PP,T2.0,TB53,EC	1	PC	SA
W0156		BODY DRAWER	WF8500NHW,PP,T2.0,-,-,-,AE	1	PC	SA
W0158		ASSY PANEL DRAWER	AEGIS-ROUND,WHT/5.0KG,	1	PC	SA
W0112		PANEL DRAWER	AEGIS-PJT,ABS,T2.5,DA WHITE	1	PC	SNA
W0218		HANDLE DRAWER	AEGIS-PJT,ABS,T2.5,-,-,-,D	1	PC	SNA
W0478		ASSY PANEL CONTROL	AEGIS,WF1602NHWG/YIE,	1	PC	SA
W0410		SPRING ETC BUTTON	SEW-745DW,STAINLESS-ST	1	PC	SNA
W0180		PANEL CONTROL	AEGIS-PJT,ABS,T2.5,-,-,-,D	1	PC	SNA
W0188		DECORATION LED	AEGIS BASIC-ROUND,ABS,-,-	1	PC	SNA
W0149		INLAY PANEL	AEGIS-PJT,PC,T0.5,W56.4,L87.	1	PC	SA
W0197		BUTTON PUSH-OPTION	AEGIS-PJT,ABS,-,-,CHR	1	PC	SNA
W0196		BUTTON PUSH-FUNCTION	AEGIS-PJT/BASIC-MOD	1	PC	SNA
W0470		ASSY PCB MAIN	AEGIS DECO,WF1602NHW/XET,2	1	PC	SA

6. ass'Y HoUsinG drawEr



ModEI code: wF1602nHwG/YIE

Service Bom (sa: SERVICE AVAILABLE, sna: SERVICE NOT AVAILABLE)

svc code	code no.	description	Specification	Qty	Un	sa/ sna
W0163		ASSY HOUSING DRAWER	AEGIS-PJT,COLD WATER	1	PC	SA
W0372		HOUSING DRAWER-LOW	AEGIS-PJT,PP,T1.4,NAT	1	PC	SNA
W0078		VALVE WATER	220-240,10,D-2	1	PC	SA
W0151		HOSE DRAWER	Q1636GW/XEU,EPDM,ID9.0,OD14.	0.35	M	SNA
W0497		ASSY S.HOUSING DRAWER	AEGIS-PJT,COLD WAT	1	PC	SNA
W0615		CLAMPER HOSE	SSEC-GE,SK5,ID14.2,ZPC2,T1.	4	PC	SNA

7. Parts list (otHEr sa/sc)

ModEl codE: wF1602nHwG/YIE

Service Bom (sa: SERVICE AVAILABLE, sna: SERVICE NOT AVAILABLE)

svc code	code no.	description	Specification	QtY	Un	sa/ sna
		SCREW-TAPTYPE	TH,+,S,M4,L8,NI PLT,SWRCH1	2	PC	SA
W0085		SCREW-MACHINE	TH,+,-,M5,L12,PASS,STS430,	2	PC	SA

8. Parts list (scrEw Parts)

ModEl code: wF1602nHwG/YIE

Service Bom (sa: SERVICE AVAILABLE, sna: SERVICE NOT AVAILABLE)

svc code	code no.	description	Specification	Qty	Un	sa/sna
W0105		SCREW-TAPPING	TH,+,-,2,M4,L12,ZPC(WHT),S	1	PC	SNA
W0105		SCREW-TAPPING	TH,+,-,2,M4,L12,ZPC(WHT),S	1	PC	SNA
G0425		SCREW-HEX	HWH,+,-,M6.5,L32,ZPC(WHT),SWRC	14	PC	SNA
W0105		SCREW-TAPPING	TH,+,-,2S,M4,L12,PASS,STS4	2	PC	SNA
F0056		SCREW-TAPTYPE	TH,+WT,S,M4,L10,ZPC(WHT),	1	PC	SNA
W0105		SCREW-TAPPING	TH,+NO,2,M4,L18,PASS,STS4	1	PC	SNA
W0105		SCREW-TAPPING	TH,+NO,2,M4,L18,PASS,STS4	4	PC	SNA
W0105		SCREW-TAPPING	TH,+,-,2,M4,L12,ZPC(WHT),S	1	PC	SNA
W0105		SCREW-TAPPING	PWH,+,-,1,M4,L12,ZPC(WHT),SW	2	PC	SNA
W0105		SCREW-TAPPING	TH,+WE,2S,M4,L12,ZPC(WHT)	5	PC	SNA
W0102		SCREW-SPECIAL	PH,TORX,M4,L12,ZPC(WHT),SW	1	PC	SNA
W0105		SCREW-TAPPING	PH,+2,M4,L18,ZPC(WHT),SWR	3	PC	SNA
		SCREW-TAPTYPE	TH,+S,M4,L8,NI PLT,SWRCH1	2	PC	SA
W0085		SCREW-MACHINE	TH,+,-,M5,L12,PASS,STS430,	2	PC	SA
W0105		SCREW-TAPPING	TH,+,-,2,M4,L12,ZPC(WHT),S	4	PC	SNA
W0105		SCREW-TAPPING	PH,+2,M4,L18,ZPC(WHT),SWR	3	PC	SNA
		SCREW-TAPPING	TH,+No,1,M4,L12,STS430,HE	8	PC	SNA
G0010		SCREW-TAPTYPE	BH,+,-,S,M3,L6,ZPC(WHT),SW	2	PC	SNA
		SCREW-TAPPING	PWH,+2,M3,L8,ZPC(BLK),SWR	2	PC	SNA
		SCREW-TAPPING	TH,+No,1,M4,L12,STS430,HE	2	PC	SNA
W0105		SCREW-TAPPING	TH,+,-,2,M4,L12,ZPC(WHT),S	4	PC	SNA
W0105		SCREW-TAPPING	TH,+WE,2S,M4,L12,ZPC(WHT)	7	PC	SNA
W0105		SCREW-TAPPING	PWH,+,-,2S,M5,L9,-,SWRCH18	2	PC	SNA
W0105		SCREW-TAPPING	TH,+WE,2S,M4,L12,ZPC(WHT)	2	PC	SNA
W0105		SCREW-TAPPING	PWH,+1,M4,L12,ZPC(WHT),SW	2	PC	SNA
F0056		SCREW-TAPTYPE	TH,+WT,S,M4,L10,ZPC(WHT),	3	PC	SNA