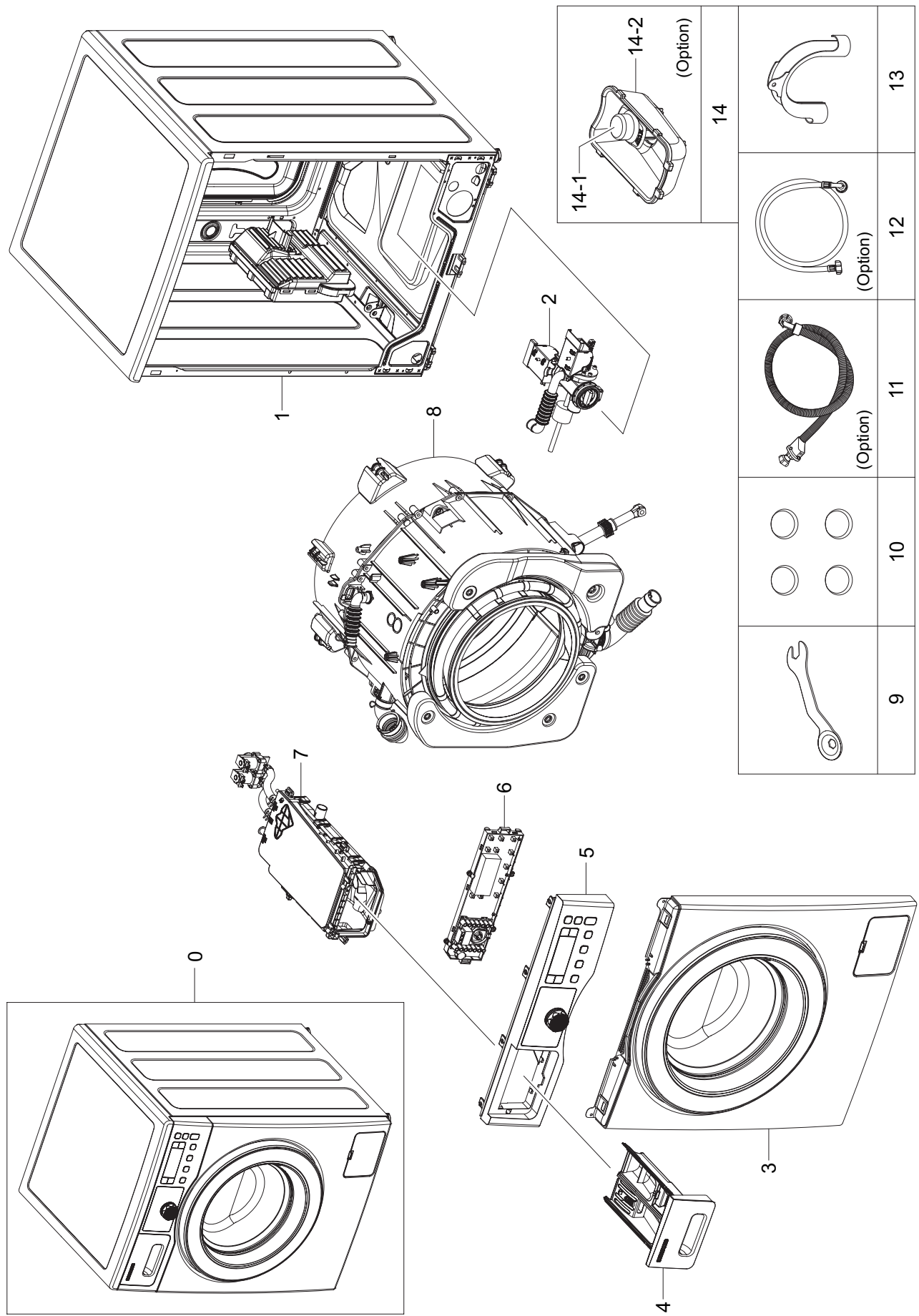

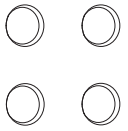

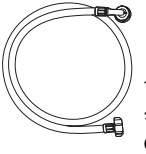

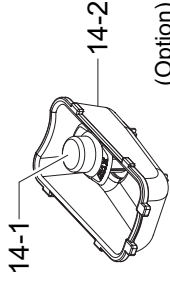


5-1. MAIN (WF0804Y8E/XEF)



| | |
|---|-------------|
|  | 9 |
|  | 10 |
|  | 11 (Option) |
|  | 12 (Option) |
|  | 13 |
|  | 14 (Option) |

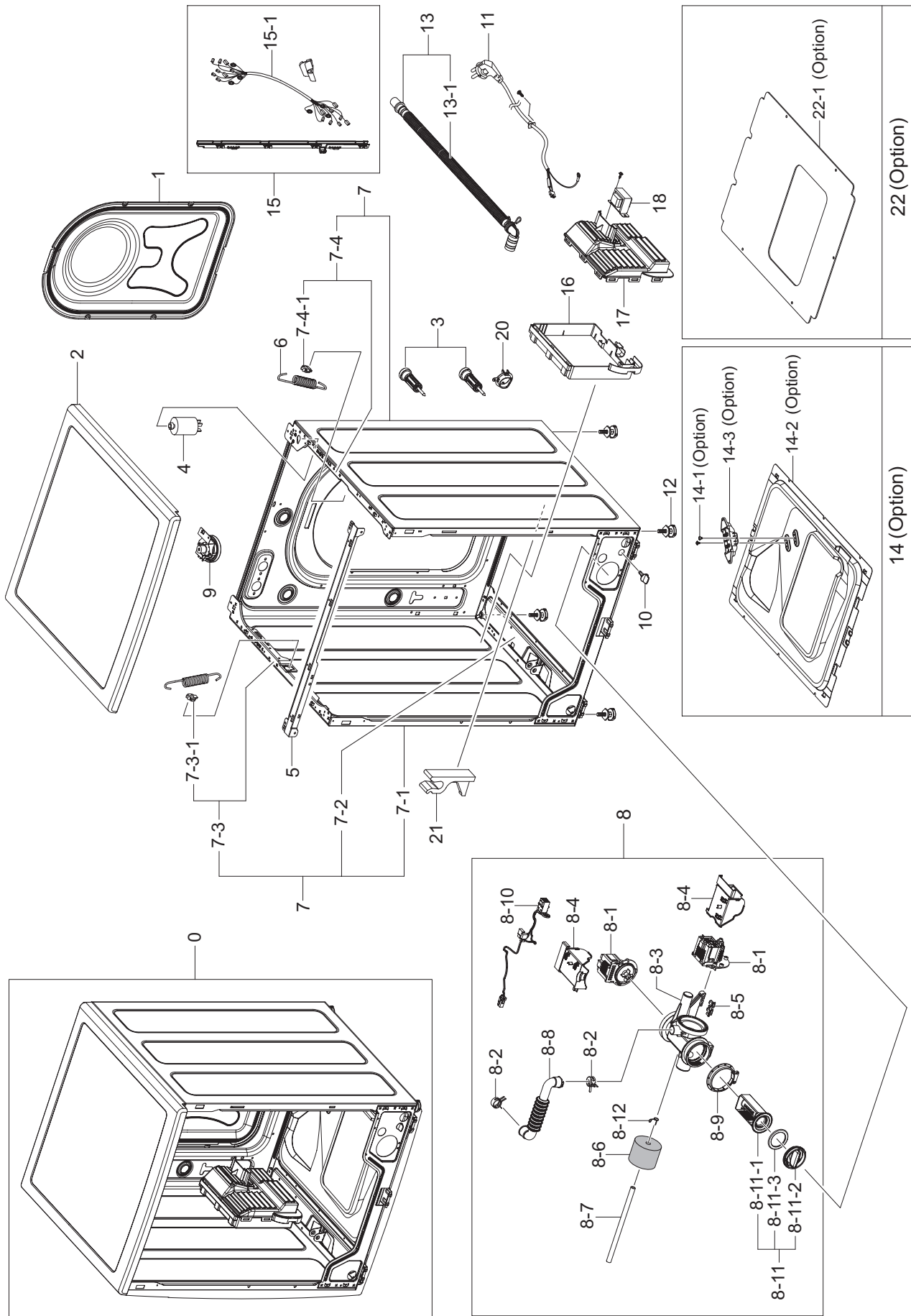
38 _ Exploded views and Parts list

MODEL CODE: WF0804Y8E/XEF

Service Bom (SA: SERVICE AVAILABLE, SNA: SERVICE NOT AVAILABLE)

| Drawing No. | Code No. | Description | Specification | QTY | Un | SA/SNA |
|-------------|---------------|----------------------|---|-----|----|--------|
| 0 | WF0804Y8E/XEF | ASSY-WASHING MACHINE | SCOUT | | | |
| 1 | | FRAME & COVER PARTS | Refer to 5.2 Frame & Cover Parts | 1 | | |
| 2 | DC97-15696E | ASSY PUMP DRAIN | SCOUT-PJT,WF0804Y8E/XEF,BUBBLE/ ASSY WIRE,50HZ,HANYU | 1 | PC | SNA |
| 3 | DC97-14342H | ASSY FRAME FRONT | GRIFFIN-PJT,WF9804RWE,EGI,T0.8,- ,WHT BODY+CR DOOR+STS | 1 | PC | SNA |
| 4 | DC97-16021A | ASSY DRAWER | SCOUT,WF0804Y8E | 1 | PC | SNA |
| 5 | DC97-15996A | ASSY PANEL CONTROL | SCOUT,WF0804Y8E,WHITE | 1 | PC | SNA |
| 6 | DC92-00312A | ASSY PCB SUB | SCOUT SUB,WF0804Y8E/ XEF,8KG,230V/50Hz,BEST,Y,SMPS | 1 | PC | SA |
| 7 | DC97-16005C | ASSY HOUSING DRAWER | SCOUT,WF0804Y8E,COLD | 1 | PC | SNA |
| 8 | DC90-03364A | ASSY TUB&DRUM | SCOUT,WF0804Y8E/XEF | 1 | PC | SNA |
| 9 | DC60-40146A | BOLT-SPANER | -,CR,-,T2.5,OD36,-,-,-,- | 1 | PC | SA |
| 10 | DC67-00307A | CAP-FIXER | WF438AAC/XAA,PP,T1.5,Φ33,- ,WHT,PURPLE-PJT | 4 | PC | SA |
| 11 | DC62-00079A | HOSE-WATER | P1405J,PVC+NYLON,-,-,- ,L1500,GRY,ACQUA-STOP | 1 | PC | SA |
| 13 | DC62-10278A | HOSE-HANGER | PP,NTR,JS20 RESIN | 1 | PC | SNA |
| 14 | DC97-16128A | ASSY COVER DRAWER | SCOUT,WF0704L7W/XEF,PP | 1 | PC | SA |
| 14-1 | DC67-00524A | CAP-DRAWER | WF0804Y8E/ XEF,PP,T2.0,W27,L43.2,BLUE | 1 | PC | SA |
| 14-2 | DC61-02581A | GUIDE-LIQUID(M) | WF0800NCE,PP,T2.0,W61,L118,SOAP BLUE | 1 | PC | SNA |

5-2. FRAME & COVER PARTS (WF0804Y8E/XEF)



40 _ Exploded views and Parts list

MODEL CODE: WF0804Y8E/XEF

Service Bom (SA: SERVICE AVAILABLE, SNA: SERVICE NOT AVAILABLE)

| Drawing No. | Code No. | Description | Specification | QTY | Un | SA/SNA |
|-------------|-------------|------------------------|--|-----|----|--------|
| 0 | | FRAME & COVER PARTS | | 1 | | |
| 1 | DC97-15809A | ASSY COVER BACK | GRIFFIN PJT,WF9904RWE/XEU,COVER BACK+SPONGE,T0.35,H558.3/W352 | 1 | PC | SA |
| 2 | DC97-14953A | ASSY COVER TOP | HEBA-PJT,-,WOOD+AL FOIL+URETHANE,9.2(WOOD)/T0.35(AL FOIL),150X200(AL FOIL),- | 1 | PC | SA |
| 3 | DC97-14653C | ASSY FIXER TUB | SCOUT,WF0804Y8E/XEF | 4 | PC | SA |
| 4 | DC29-00015E | FILTER-EMI | LFT-215K-2,MINERVA-PJT,250VAC,15,5 3□,50/60Hz,CAN,VDE,-,- | 1 | PC | SA |
| 5 | DC97-15363A | ASSY FRAME PLATE(U) | HEBA,ALL,GI,T1.2,600*30*30,- | 1 | PC | SA |
| 6 | DC61-02029B | SPRING ETC-HANGER | HEBA 7kg,HSWR,CD3.5,ID24.8,OD26,L 159,TURNS 18 3/4,WHITE | 2 | PC | SA |
| 7 | DC97-14657J | ASSY FRAME | HEBA-DD,WF9904RWE,GI | 1 | PC | SA |
| 7-1 | DC61-01921E | FRAME | GRIFFIN-PJT,GI,WHT,T1.0,W546,L598 | 1 | PC | SNA |
| 7-2 | DC61-01928B | FRAME-PLATE(L) | HEBA-PJT,GI,T1.0,2WAY PUMP | 1 | PC | SA |
| 7-3 | DC97-15689A | ASSY BRACKET SPRING(R) | HEBA 8kg,HEBA-COMBO,GI+POM | 1 | PC | SNA |
| 7-3-1 | DC61-02065A | GUIDE-SPRING | WF448AAG/XXA,POM,T4,W24,L25.5,WHT,- | 1 | PC | SA |
| 7-4 | DC97-15690A | ASSY BRACKET SPRING(L) | HEBA 8kg,HEBA-COMBO,GI+POM | 1 | PC | SNA |
| 7-4-1 | DC61-02065A | GUIDE-SPRING | WF448AAG/XXA,POM,T4,W24,L25.5,WHT,- | 1 | PC | SA |
| 8 | DC97-15696E | ASSY PUMP DRAIN | SCOUT-PJT,WF0804Y8E/XEF,BUBBLE/ ASSY WIRE,50HZ,HANYU | 1 | PC | SA |
| 8-1 | DC31-00030A | PUMP-DRAIN | B20-6,220V,50Hz,-,HANYU | 2 | PC | SA |
| 8-2 | DC61-00158A | CLAMPER HOSE | SW65ASP,SK5,ID23,-,T0.8/YEL, | 2 | PC | SNA |
| 8-3 | DC61-02271B | CASE-PUMP | WF0804Y8E/XEF,PP,T2.5,W153.6,L133. 2,WHITE,2WAY/SEAU | 1 | PC | SA |
| 8-4 | DC63-00830A | COVER-PUMP | COVER-PUMP,PP,T2.1,W60.5,L75,5VA GRADE,WHT | 2 | PC | SNA |
| 8-5 | DC63-00905A | CUSHION-PUMP | WF8802DPF/XET,NBR,- ,W37.6,L11.6,BLK,- | 1 | PC | SNA |
| 8-6 | DC63-10003C | SPONGE-HOSE AIR | POL,GRY,SWF-P12,HB22-GREY, | 1 | PC | SNA |
| 8-7 | DC67-00244D | HOSE-DRAIN | -,EPDM,ID6,OD11,T0.6,L270,BLK,- | 1 | PC | SA |
| 8-8 | DC67-00461A | HOSE-AIR TUB | SCOUT- PJT,EPDM,T1.5,BLK | 1 | PC | SA |
| 8-9 | DC69-01128A | PACKING-PUMP | WF8804DP,RUB-OTH,BUTYL,T2.5,W74, L74,11.6,BLK,10.8g,-,-,-,HEBA-PJT | 1 | PC | SNA |
| 8-10 | DC93-00016C | ASSY WIRE HARNESS-PUMP | GRIFFIN,CIRCULTION+DRAIN | 1 | PC | SA |
| 8-11 | DC97-15695A | ASSY FILTER | GRIFFIN-PJT,WF9804RWE,PP | 1 | PC | SA |
| 8-11-1 | DC63-00998A | FILTER-PUMP | WF8702LSW,PP,T2.0,W52.8,L93.9,NTR, 2WAY/SEAU | 1 | PC | SNA |
| 8-11-2 | DC64-01317A | HANDLE-FILTER | HANDLE-FILTER,PP,T2.5,W55,L35,- ,BLK,- | 1 | PC | SNA |
| 8-11-3 | DC73-00022A | RUBBER-PACKING | SEW-HVR149ATA,EPDM,-,40,- ,BLK,-,-,-,- | 1 | PC | SNA |

Exploded views and Parts list _ 41

MODEL CODE: WF0804Y8E/XEF

Service Bom (SA: SERVICE AVAILABLE, SNA: SERVICE NOT AVAILABLE)

| Drawing No. | Code No. | Description | Specification | QTY | Un | SA/SNA |
|-------------|-------------|---------------------------|--|-----|----|--------|
| 8-12 | DD65-00001F | CLAMPER HOSE | SDW-H120,STEEL,-,D10.5/T1.2,-,- | 1 | PC | SNA |
| 9 | DC96-01703B | ASSY SENSOR PRESSURE | PURPLE PJT,PURPLE PJT,0~300mmH20,non pcb,-,- | 1 | PC | SA |
| 10 | DC61-10673A | CAP-DRAIN | SWF-P12,PP(TB53),-,-,-,WHT,-,- | 1 | PC | SNA |
| 11 | DC96-00146A | ASSY POWER CORD | UCP2,250V/16A,-,1500/EUROPE | 1 | PC | SC |
| 12 | DC97-00920C | ASSY LEG | SEW-HW108,-,-,-,-,- | 4 | PC | SC |
| 13 | DC97-02250Q | ASSY HOSE DRAIN(O) | HEBA,WF8802DP,-,-,-,-,- | 1 | PC | SA |
| 13-1 | DC67-00330B | HOSE-PUMP | WF8802DPF,PP,ID20.6,OD27,-,L1850,GRY,BLOW SPIRAL | 1 | PC | SA |
| 14 | DC97-14642D | ASSY PLATE BOTTOM | GRIFFIN,WF9904FWE/XEF,GI,T0.5 | 1 | PC | SA |
| 14-1 | 6002-000239 | SCREW-TAPPING | TH,+,-,2S,M4,L8,ZPC(WHT),SWRCH18A,- | 2 | PC | SA |
| 14-2 | DC63-00965A | COVER-BOTTOM | HEBA-PJT,GI,T0.8,W500,L500,-,-,-,7kg | 1 | PC | SNA |
| 14-3 | DC96-01610A | ASSY SENSOR POLE | HEBA/Aegis PJT,-,-,-,- | 1 | PC | SA |
| 15 | DC93-00184A | ASSY M.GUIDE WIRE HARNESS | SCOUT,WF0804Y8E,220~240V/50HZ,BUBBLE PUMP,LEAKAGE SENSOR | 1 | PC | SA |
| 15-1 | DC93-00182A | ASSY M. WIRE HARNESS | SCOUT,WF0804Y8E,220~240V/50HZ,BUBBLE PUMP,LEAKAGE SENSOR | 1 | PC | SA |
| 16 | DC92-00315A | ASSY PCB MAIN | SCOUT,WF0804Y8E,8KG,230V/50Hz,EUROPE BUBBLE,Y,SMPS | 1 | PC | SA |
| 17 | DC92-00277A | ASSY COVER PCB(M) | HEBA-COMBO,WF8704DJF,N | 1 | PC | SNA |
| 18 | DC26-00009D | TRANS-REACTORV | -,SEW-3HR105,-,-,220V,60HZ,-,-,-,-,-,-,-,-,-,-,K2/3PHASE | 1 | PC | SA |
| 19 | 6002-001306 | SCREW-TAPPING | TH,+,-,1,M4,L14,ZPC(WHT),SWRCH18A,- | 1 | PC | SNA |
| 20 | DC61-00274A | GUIDE-HOSE | P/PV/M,PP,-,-,-,WHT,FRAME/DRAIN-HOSE | 1 | PC | SA |
| 21 | DC61-02601A | GUIDE-HOSE | DRUM-MIDIUM SIZE,EPP,T142,GRAY | 1 | PC | SA |

42 _ Exploded views and Parts list

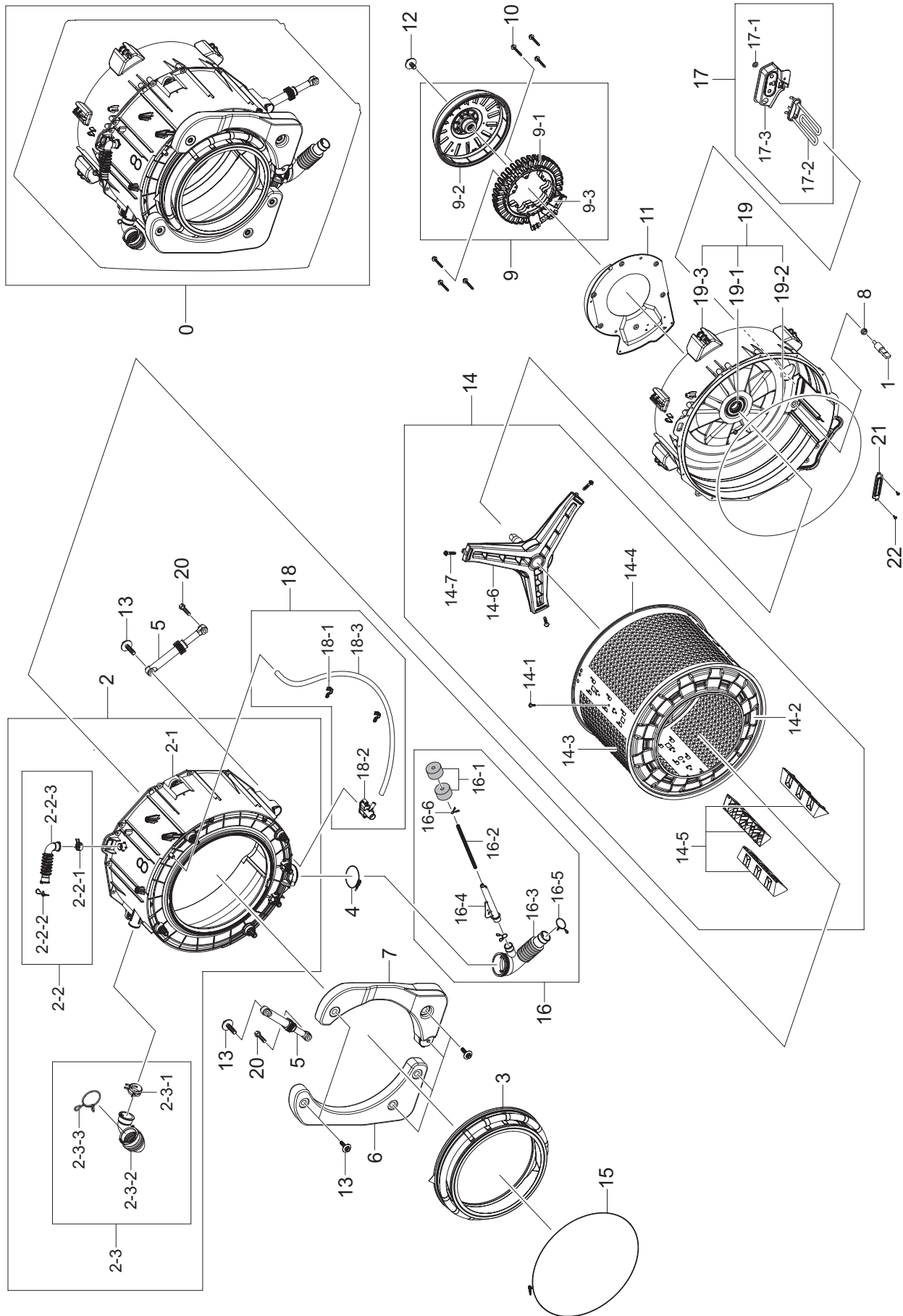


MEMO

Exploded views and Parts list _ 43



5-3. ASS'Y TUB&DRUM (WF0804Y8E/XEF)



44 _ Exploded views and Parts list

MODEL CODE: WF0804Y8E/XEF

Service Bom (SA: SERVICE AVAILABLE, SNA: SERVICE NOT AVAILABLE)

| Drawing No. | Code No. | Description | Specification | QTY | Un | SA/SNA |
|-------------|-------------|-----------------------------|--|-----|----|--------|
| 0 | DC90-03364A | ASSY TUB&DRUM | SCOUT,WF0804Y8E/XEF | 1 | PC | SNA |
| 1 | DC32-00010A | THERMISTOR | -,11982OHM AT 25°C,-,-55~155,-,5,-,100,- | 1 | PC | SA |
| 2 | DC97-16129A | ASSY SEMI TUB FRONT | scout,WF0804Y8E/XEF,8kg,FRPP | 1 | PC | SA |
| 2-1 | DC61-01932D | TUB-FRONT | HEBA PJT,FRPP-GF15%,ID528,OD575,NTR,8KG/AIR-HOLE | 1 | PC | SA |
| 2-2 | DC97-14873A | ASSY HOSE AIR | WF8804DP,-,HOSE-AIR+BAND-RING,-,-,- | 1 | PC | SA |
| 2-2-1 | DC61-00158A | CLAMPER HOSE | SW65ASP,SK5,ID23,-,T0.8/YEL, | 1 | PC | SNA |
| 2-2-2 | DC65-60118J | BAND-RING | -,HSWR,-,-,-,WHT,PI2.0/ID23 | 1 | PC | SNA |
| 2-2-3 | DC67-00298A | HOSE-AIR | HEBA PJT,EPDM,-,-,T2.5,-,BLK,- | 1 | PC | SA |
| 2-3 | DC97-14874B | ASSY HOSE DRAWER | HEBA,WF8802DPF,HOSE-DRAWER+BAND-RING | 1 | PC | SA |
| 2-3-1 | DC61-00219G | CLAMPER HOSE | HEBA BIGBANG,SK5,ID37/OD39/H10/T1.0 | 1 | PC | SNA |
| 2-3-2 | DC67-00422A | HOSE-DRAWER TUB | HEBA-PJT,EPDM,ID42.5,OD46.5,T2.0,BLK | 1 | PC | SA |
| 2-3-3 | DC72-00001G | BAND-RING | HEBA-PJT,HSWR,PI3.0,W21.5,ID49.5,WHT,HOSE-DRAWER + TUB-FRONT | 1 | PC | SNA |
| 3 | DC64-01602A | DOOR-DIAPHRAGM | HEBA-PJT,EPDM,T2.0,-,-,-,GRY,WASHER | 1 | PC | SA |
| 4 | DC65-00021A | CLAMPER HOSE-JOINT | HEBA PJT,HSWR,-,ID74/OD78,WHT,- | 1 | PC | SNA |
| 5 | DC66-00343D | DAMPER-SHOCK | GW-PJT,STEEL+PP+RUBBER,80N,-,W27,L195,BLK,- | 2 | PC | SA |
| 6 | DC97-16008A | ASSY WEIGHT BALANCER-(L) | SCOUT-PJT,WF0804Y8E/XEF,6.5KG,PP+CONCRETE | 1 | PC | SA |
| 7 | DC97-15966A | ASSY WEIGHT BALANCER-(R) | SCOUT-PJT,WF0804Y8E/XEF,6.5KG,PP+CONCRETE | 1 | PC | SA |
| 8 | DC69-00824A | PACKING-THERMISTOR | GW-PJT,EPDM,EPDM,-,W17,-,H11,BLACK,1.25g,-,-,-,- | 1 | PC | SA |
| 9 | DC96-01218E | ASSY DD BLDC MOTOR | DON800,25MM/AL WIRE/0.85PI/94T,B,Free,1400 | 1 | PC | SA |
| 9-1 | DC31-00074B | MOTOR BLDC-ASSY STATOR | DON800,0~1400,-,Free,5A,-,DC,800W,DON800,0.85PI,94T,-,-,-,130°C,258.3*25 | 1 | PC | SA |
| 9-2 | DC31-00075E | MOTOR BLDC-ASSY ROTOR | DON800,0~1400,-,Free,5A,-,800W,DON800,7BD, inner serration,-,-,-,130,- | 1 | PC | SA |
| 9-3 | DC31-00076A | MOTOR BLDC-ASSY HALL SENSOR | DON1300,0~1200,-,DC310V,0.5A,-,DC,-,ASSY HALL SENSOR,ASSY HALL SENSOR,-,-,-,130C | 1 | PC | SA |
| 10 | 6011-001627 | BOLT-ETC | M6,L56,MFZn,SCM435,P1.0/HEX/WSP | 6 | PC | SA |
| 11 | DC63-01032A | COVER-MOTOR | HEBA-COMBO,GI,T0.8,W415.4,L306,-,-,-,- | 1 | PC | SA |

MODEL CODE: WF0804Y8E/XEF

Service Bom (SA: SERVICE AVAILABLE, SNA: SERVICE NOT AVAILABLE)

| Drawing No. | Code No. | Description | Specification | QTY | Un | SA/SNA |
|-------------|-------------|-----------------------|--|-----|----|--------|
| 12 | DC97-06080A | ASSY BOLT | SEW-3HR107,BOLT+WASHER,-,-,-,- | 1 | PC | SA |
| 13 | DC97-14263A | ASSY BOLT | HEBA-PJT,MOTOR/ BOLT(M8)+WASHER(OD28.6),-,-,-,- | 2 | PC | SA |
| 13 | DC97-14263A | ASSY BOLT | HEBA-PJT,MOTOR/ BOLT(M8)+WASHER(OD28.6),-,-,-,- | 6 | PC | SA |
| 14 | DC97-14371D | ASSY DRUM | GE 24INCH WASHER,WCVH4800K,598 *850,1000~1200RPM,T0.5,- | 1 | PC | SA |
| 14-1 | 6002-001435 | SCREW-TAPPING | TH,+2,M4,L12,PASS,STS430 | 3 | PC | SNA |
| 14-2 | DC66-00489B | DRUM-FRONT | HEBA PJT(8kg),STS430,ID492,OD492.4,-, ,T0.5 | 1 | PC | SNA |
| 14-3 | DC66-00491A | DRUM-WRAPPER | HEBA PJT/8.0kg,STS430,ID492,OD492. 4,L371.2,-,CUBE DRUM/T0.5 | 1 | PC | SNA |
| 14-4 | DC66-00492A | DRUM-BACK | HEBA PJT,STS430,ID492,OD492.4,T0.5 | 1 | PC | SNA |
| 14-5 | DC66-00493A | DRUM-LIFTER | HEBA PJT,PP-TI42,-,-,L246,NTR,7/8KG | 3 | PC | SA |
| 14-6 | DC97-14370B | ASSY FLANGE SHAFT | HEBA PJT,-,-,1200RPM,-,- | 1 | PC | SA |
| 14-7 | DC60-40137A | BOLT-HEX | MARS-PJT,STS430,M8,-,P1.25,L30,-, ,HEX/KNURING | 3 | PC | SA |
| 15 | DC97-14618A | ASSY CLAMP DIAPHRAM | WF8804DP,OD2.0/L2438,-,-,-,- | 1 | PC | SA |
| 16 | DC97-14637C | ASSY HOSE PRESSURE | HEBA-COMBO,WD8704DJF,PRESSUE R,L635,TPE | 1 | PC | SA |
| 16-1 | DC63-10003C | SPONGE-HOSE AIR | POL,GRY,SWF-P12,HB22-GREY, | 1 | PC | SNA |
| 16-2 | DC67-00230E | HOSE-WATER | WD8704,TPE,ID4.5,OD8.0,T1.75,L635 ,BLK | 1 | PC | SNA |
| 16-3 | DC67-00293A | HOSE-FILTER TUB | HEBA-PJT,EPDM,-,-,T2.5,-,BLK,- | 1 | PC | SA |
| 16-4 | DC67-00297A | HOSE-JOINT AIR | HEBA&Aegis- PJT,PP,ID22,OD26,T2.0,L150,NTR | 1 | PC | SNA |
| 16-5 | DC72-00001H | BAND-RING | HEBA-PJT,HSWR,PI3.0,ID35,- ,WHT,HOSE-FILTER+PUMP-CASE | 1 | PC | SNA |
| 16-6 | DC61-70029C | SPRING-CLIP | SEW- HW125,HSWR67,CD1.2,ID8.5,OD10.9,- ,-,-, WHT,-,- | 1 | PC | SA |
| 16-7 | DC65-60125B | BAND-RING | - ,HSWR,T2.4,PI25,-,YEL,- | 1 | PC | SNA |
| 17 | DC97-14827E | ASSY HEATER | HEBA,230V/ 2000W,CERAMIC/GREEN | 1 | PC | SA |
| 17-1 | 6031-001531 | WASHER-PLAIN | SCP1,ID7,OD14,T1.2,ZPC2(YEL),ACE- PJT | 1 | PC | SNA |
| 17-2 | DC47-00033A | HEATER-WASH | HEBA,SUS316L+CERAMIC COATING,2 000,8.69,230V,26.46,8.5mm,220mm,Dou ble Fuse (167°C, Cut Off Time 70±20s) | 1 | PC | SNA |
| 17-3 | DC63-00889B | COVER-HEATER | WF438AAG,PP,T2.0,W160.0,L80.6,V0 GRADE,-,GREEN,- | 1 | PC | SA |
| 18 | DC97-15993A | ASSY HOSE-CIRCULATION | SCOUT,WF0804Y8E,EPDM,L685.2,OD1 4.5,BLACK | 1 | PC | SNA |
| 18-1 | DC61-02646A | GUIDE-HOSE | WF0804Y8E,PP,T2.0,W10.0,L36.6,NATU RAL,SCOUT-PJT | 2 | PC | SNA |
| 18-2 | DC67-00462A | HOSE-CONNECTOR | WF0804Y8E,PP,NTR,SCOUT-PJT | 1 | PC | SNA |

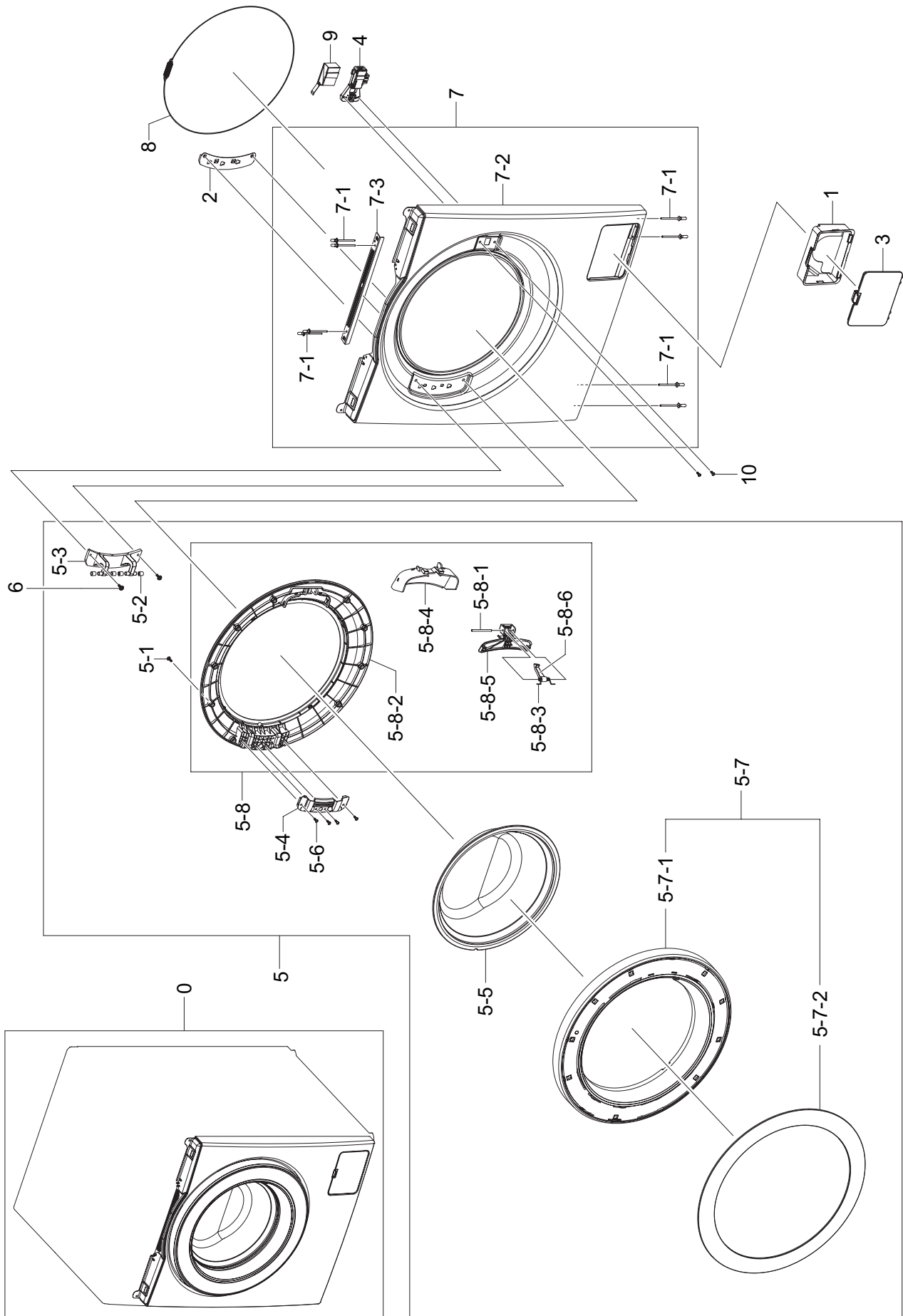
46 _ Exploded views and Parts list

MODEL CODE: WF0804Y8E/XEF

Service Bom (SA: SERVICE AVAILABLE, SNA: SERVICE NOT AVAILABLE)

| Drawing No. | Code No. | Description | Specification | QTY | Un | SA/SNA |
|-------------|-------------|--------------------|---|-----|----|--------|
| 18-3 | DC67-00471A | HOSE-CIRCULATION | WF0804Y8E,EPDM,ID9.0,OD14.5,L703, BLK,SCOUT-PJT | 1 | PC | SNA |
| 19 | DC97-15518C | ASSY TUB BACK | GRIFFIN-PJT,WF9904RWE,9kg,DD MOTOR | 1 | PC | SA |
| 19-1 | DC62-00008A | SEAL-OIL | -,NBR(SD35),BLK,-,-,-,NBU(PI15) | 1 | PC | SA |
| 19-2 | DC69-01154A | PACKING-TUB | WF8804DP,EPDM,EPDM,T5.0,-,L1650,-,BLK,20g,-,-,-,- | 1 | PC | SA |
| 19-3 | DC97-15517B | ASSY SEMI TUB BACK | GRIFFIN-PJT,WF9904RWE,9kg,LGF15 | 1 | PC | SNA |
| 20 | 6011-001644 | BOLT-HEX | M10,L40,ZPC2(YEL),SM10C,DAMPER | 2 | PC | SA |
| 21 | DC61-02664A | BRACKET-HEATER | HEBA,STAINLESS-ST5430,T0.6,W110.5 | 1 | PC | SA |
| 22 | 6002-000473 | SCREW-TAPPING | TH,+,NO,1,M4,L14,PASS,STS304 | 2 | PC | SA |

5-4. ASS'Y FRAME FRONT (WF0804Y8E/XEF)



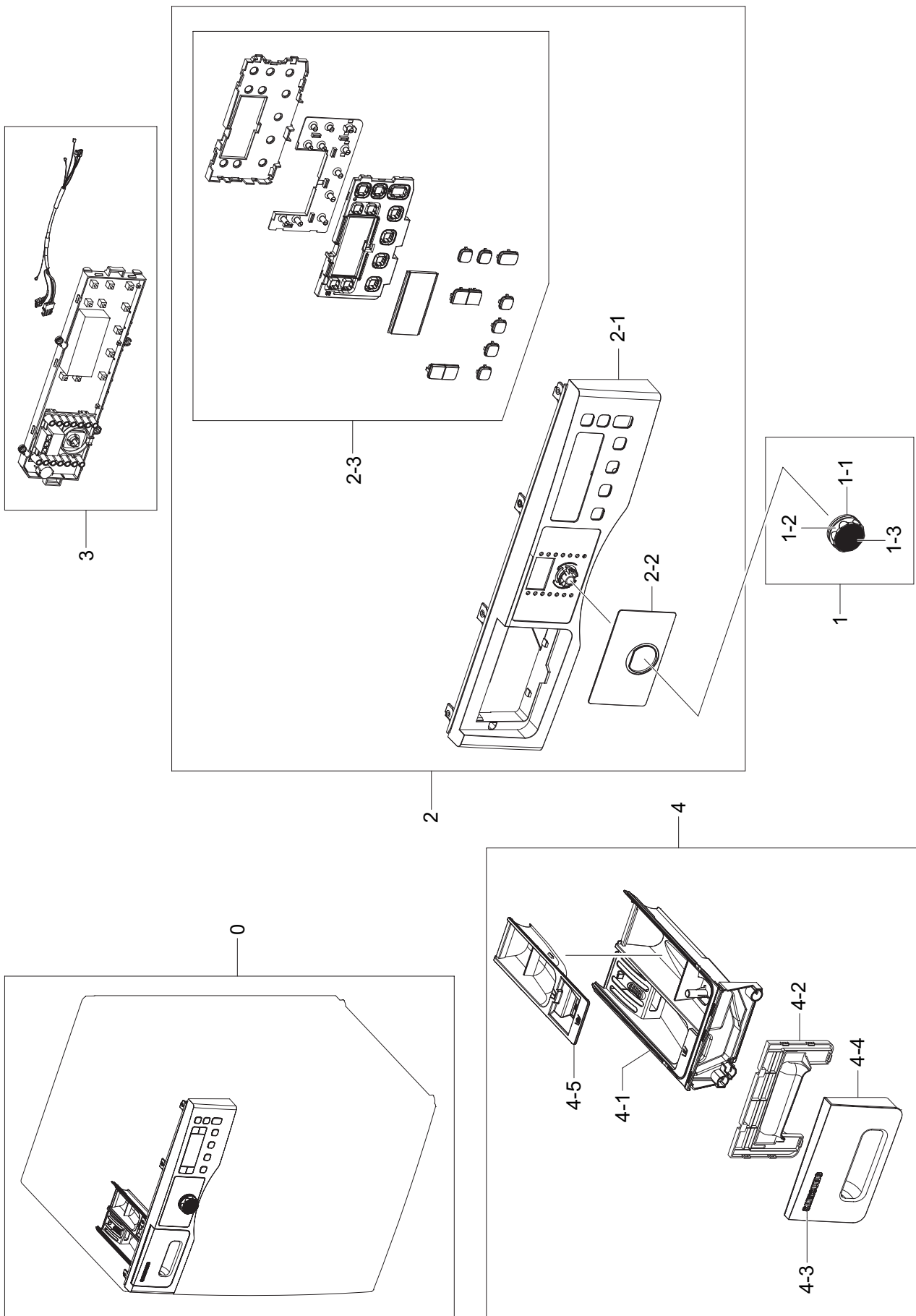
48 _ Exploded views and Parts list

MODEL CODE: WF0804Y8E/XEF

Service Bom (SA: SERVICE AVAILABLE, SNA: SERVICE NOT AVAILABLE)

| Drawing No. | Code No. | Description | Specification | QTY | Un | SA/SNA |
|-------------|-------------|---------------------|---|-----|----|--------|
| 0 | DC97-14342H | ASSY FRAME FRONT | GRIFFIN-PJT,WF9804RWE,EGI,T0.8,-,WHT BODY+CR DOOR+STS | 1 | PC | SNA |
| 1 | DC61-01917A | GUIDE-FILTER | WF8804DP,PP,T2.5,W300,L200,WHT,- | 1 | PC | SA |
| 2 | DC61-01919A | BRACKET-HINGE | WF8804DP,GI,T1.4,W30,L150,-,TAP | 1 | PC | SA |
| 3 | DC63-00854A | COVER-FILTER | WF8804DP,ABS,T2.0,W300,L200,-,-,WHT,- | 1 | PC | SA |
| 4 | DC64-01538A | DOOR-LOCK S/W | ZV-446L5,PA66,T19.5,-,W95.3,-,BLK,250V/16A | 1 | PC | SA |
| 5 | DC97-14343F | ASSY DOOR | GRIFFIN-PJT,WF8804RWE,CR DOOR+STS | 1 | PC | SA |
| 5-1 | 6002-000444 | SCREW-TAPPING | TH,+2,M4,L14,PASS,STS430 | 12 | PC | SNA |
| 5-2 | DC61-00891A | GUIDE-HINGE | HAUZEN(DOM),POM,-,-,-,WHT,HINGE | 4 | PC | SA |
| 5-3 | DC61-01910A | HINGE-DOOR | WF8804DP,ALDC,T5.0,W30,L150,-,-,Ni | 1 | PC | SA |
| 5-4 | DC61-01915B | BRACKET-HOLDER | WF8804DP,GI,T1.2,W45,L160,-,- | 1 | PC | SA |
| 5-5 | DC64-01521A | DOOR-GLASS | WF8804DP,NON-HeatTreatment GLASS,T5.0,H100.5,-,-,NAT,BOROSILICATE | 1 | PC | SA |
| 5-6 | 6002-001306 | SCREW-TAPPING | TH,+,-,1,M4,L14,ZPC(WHT),SWRCH18A,- | 4 | PC | SNA |
| 5-7 | DC97-14328F | ASSY COVER DOOR | GRIFFIN-PJT,WF9904RWE,ABS+STS430,CR+HAIR LINE | 1 | PC | SA |
| 5-7-1 | DC63-00855A | COVER-DOOR | WF8804DP,ABS,T3.0,W480,L480,-,-,WHT,CR | 1 | PC | SNA |
| 5-7-2 | DC64-01930A | DECORATION-DOOR | WF9904RWE/XEU,STS430,T0.5,W463,NTR,GRIFFIN PJT | 1 | PC | SNA |
| 5-8 | DC97-15375A | ASSY HOLDER GLASS | HEBA,ALL,PP,T3.0,480*480*30,- | 1 | PC | SNA |
| 5-8-1 | 6043-001093 | PIN-PARALLEL(KEY) | A,OD3,L40,PASS,STS204 | 1 | PC | SA |
| 5-8-2 | DC61-01909A | HOLDER GLASS | WF8804DP,PP,T3.0,W480,L480,GRY,M T43HG RESIN | 1 | PC | SA |
| 5-8-3 | DC61-02027A | SPRING ETC-LEVER | -,STS304,-,-,OD1.1,L15,6 TURNS,T1.1,-,-,- | 1 | PC | SA |
| 5-8-4 | DC63-00853A | COVER HANDLE | WF8804DP,ABS,T2.5,W60,L125,-,-,GRY,- | 1 | PC | SA |
| 5-8-5 | DC64-01524A | HANDLE DOOR | WF8804DP,ABS,T2.5,W25,L125,-,GRY,- | 1 | PC | SA |
| 5-8-6 | DC66-00497A | LEVER-DOOR | WF8804DP,ZNDC,T10,W10,L35,-,-,NI | 1 | PC | SA |
| 6 | 6009-001522 | SCREW-HEX | HEX,+,-,M5,L16,PASS,STS430,FP,NYLOCK | 2 | PC | SA |
| 7 | DC97-15021A | ASSY FRAME FRONT(S) | HEBA-PJT,-,-,-,-,DA WHITE | 1 | PC | SA |
| 7-1 | 6041-001035 | RIVET-RH | K1661-0512,AL(A5052),OD3.9,L11,NTR | 4 | PC | SNA |
| 7-1 | 6041-001035 | RIVET-RH | K1661-0512,AL(A5052),OD3.9,L11,NTR | 4 | PC | SNA |
| 7-2 | DC61-01916A | FRAME-FRONT | WF8804DP,EGI,-,-,WHT,T0.8,W595,L660,SPRAY | 1 | PC | SNA |
| 7-3 | DC61-01981A | BRACKET-FRAME | WF8804DP,GI,T0.8,W20,L310,-,- | 1 | PC | SNA |
| 8 | DC91-12078D | ASSY WIRE DIAPHRAGM | HEBA-PJT,-,-,-,- | 1 | PC | SA |
| 9 | DC63-00967A | COVER-DOOR SWITCH | AEGIS-PJT/ WF8500NHW,PP,T2.5,W25.9,L90.2,5VA GRADE,NTR,ZV-446 | 1 | PC | SA |
| 10 | 6002-001435 | SCREW-TAPPING | TH,+2,M4,L12,PASS,STS430 | 2 | PC | SNA |

5-5. PANEL-CONTROL & DRAWER (WF0804Y8E/XEF)



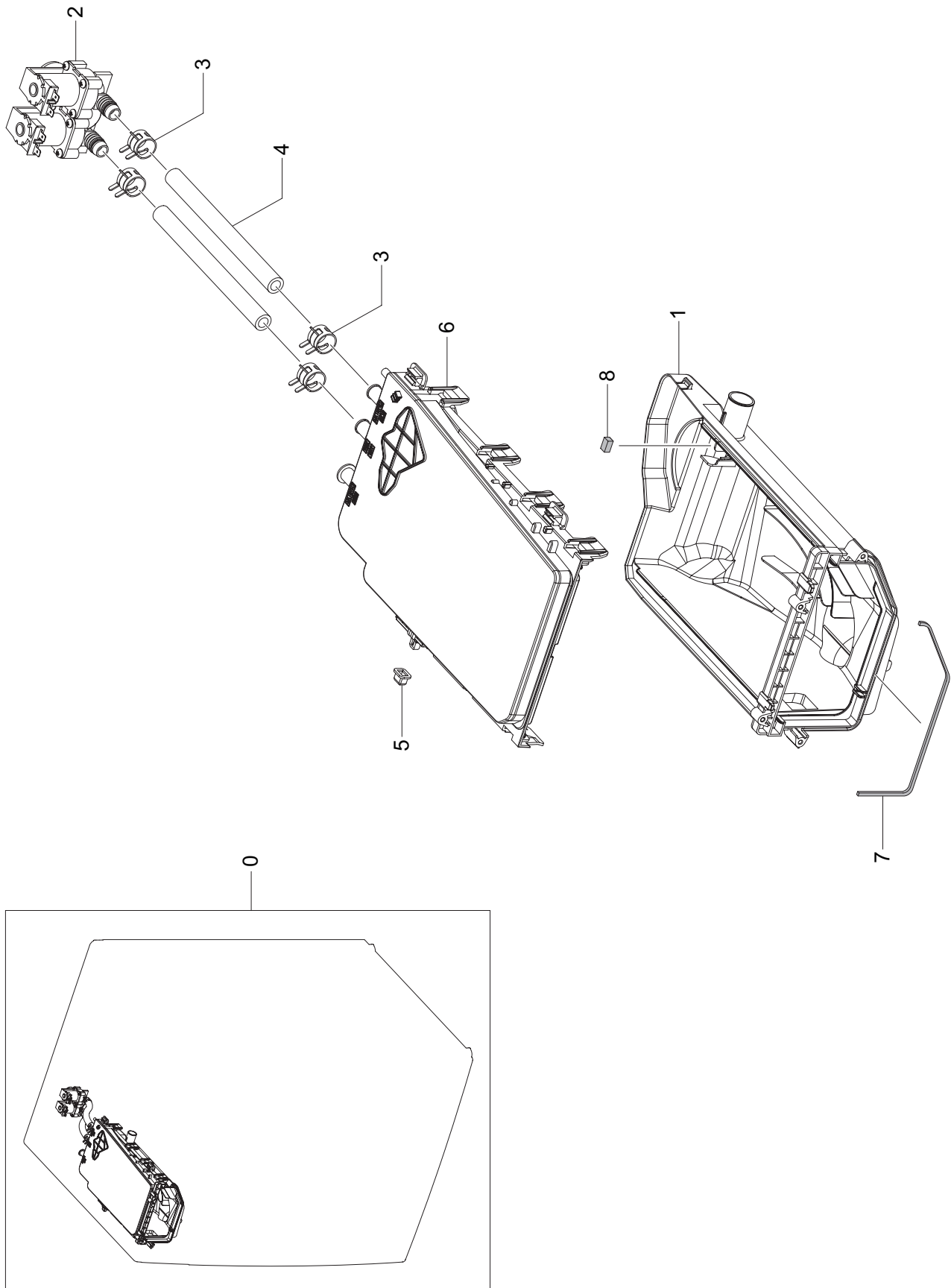
50 _ Exploded views and Parts list

MODEL CODE: WF0804Y8E/XEF

Service Bom (SA: SERVICE AVAILABLE, SNA: SERVICE NOT AVAILABLE)

| Drawing No. | Code No. | Description | Specification | QTY | Un | SA/SNA |
|-------------|-------------|------------------------|---|-----|----|--------|
| 0 | | Panel-Control & Drawer | | 1 | | |
| 1 | DC97-15723A | ASSY KNOB ENCODER | GRIFFIN-PJT,WF9904RWE,AL+BLACK,PMMA/BLACK | 1 | PC | SA |
| 1-1 | DC64-01927A | KNOB-ENCODER | WF9904RWE/XEU,ABS,T2.5,W49.8,L37.9,BLACK,GRIFFIN-PJT | 1 | PC | SNA |
| 1-2 | DC64-01931A | DECORATION-ENCODER | WF9904RWE/XEU,ABS,T2.2,W50.8,L14.7,DA WHITE,GRIFFIN-PJT | 1 | PC | SNA |
| 1-3 | DC64-01988A | DECORATION-ENCODER(I) | WF9904RWE,AL,T3.3,W43.6,L43.6,GRIFFIN-PJT | 1 | PC | SC |
| 2 | DC97-15996A | ASSY PANEL CONTROL | SCOUT,WF0804Y8E,WHITE | 1 | PC | SNA |
| 2-1 | DC64-02165A | PANEL-CONTROL | WF0804Y8E,ABS,T2.5,W143.8,L594.4,DA WHITE,SCOUT-PJT | 1 | PC | SNA |
| 2-2 | DC64-02170A | WINDOW-ENCODER | WF0804Y8E,PMMA,T2.0,W157,L95.5,TRANSPARENT,SCOUT | 1 | PC | SNA |
| 2-3 | DC97-15995A | ASSY BUTTON | SCOUT,WF0804Y8E,WHITE,ABS | 1 | PC | SNA |
| 3 | DC92-00312A | ASSY PCB SUB | SCOUT SUB,WF0804Y8E/XEF,8KG,230V/50Hz,BEST,Y,SMPS | 1 | PC | SA |
| 4 | DC97-16021A | ASSY DRAWER | SCOUT,WF0804Y8E | 1 | PC | SNA |
| 4-1 | DC61-02580A | BODY-DRAWER | WF0800NCE,PP,T2.0,L265,W154,WHT,HEBA BIGBANG | 1 | PC | SNA |
| 4-2 | DC64-01527A | HANDLE-DRAWER | HEBA-PJT,ABS,T2.0,-,-,-,WHT,- | 1 | PC | SNA |
| 4-3 | DC64-01973A | MASCOT | GRIFFIN-PJT,NICKEL,T0.25,W60,BLK,SAMSUNG LOGO | 1 | PC | SNA |
| 4-4 | DC64-02173A | PANEL-DRAWER | WF0804Y8E,ABS,T2.5,W183.4,L114.8,DA WHITE,SCOUT-PJT | 1 | PC | SNA |
| 4-5 | DC67-00452A | CAP-RINSE | WF0800NCE,PP,T2.0,W66.5,L219,SOAP BLUE,HEBA BIGBANG | 1 | PC | SNA |

5-6. ASS'Y HOUSING DRAWER (WF0804Y8E/XEF)



MODEL CODE: WF0804Y8E/XEFService Bom (**SA**: SERVICE AVAILABLE, **SNA**: SERVICE NOT AVAILABLE)

| Drawing No. | Code No. | Description | Specification | QTY | Un | SA/SNA |
|-------------|-------------|-----------------------|---|------|----|--------|
| 0 | DC97-16005C | ASSY HOUSING DRAWER | SCOUT,WF0804Y8E,COLD | 1 | PC | SNA |
| 1 | DC61-02434A | HOUSING-DRAWER L | HEBA-PJT,PP,T1.8,NTR | 1 | PC | SA |
| 2 | DC62-00024M | VALVE-WATER | V7-PJT,NYLON,2WAY,MAX 10BAR,WHT,220/240V 50/60Hz | 1 | PC | SA |
| 3 | DC65-00008A | CLAMPER HOSE | SEW-DR605,SK5,-,-,YEL,ID14.2/T0.9 | 4 | PC | SNA |
| 4 | DC67-00051B | HOSE-DRAWER | Q1636GW/XEU,EPDM,ID9.0,OD14.5,- -,BLK,- | 0.21 | M | SA |
| 4 | DC67-00051B | HOSE-DRAWER | Q1636GW/XEU,EPDM,ID9.0,OD14.5,- -,BLK,- | 0.21 | M | SA |
| 5 | DC67-00327A | CAP-DRAWER HOOK | HEBA-PJT,EPDM,T1.1,W13.9/ L10.8,H9.2,BLK,- | 1 | PC | SNA |
| 6 | DC97-16006A | ASSY S.HOUSING DRAWER | HEBA BIGBANG,WF0800NCE,PP | 1 | PC | SNA |
| 7 | DC72-00021A | SPONGE-HOUSING DRAWER | Q1635V,PE-FOAM,-,-,OD6,L170,WHT,- | 1 | PC | SNA |
| 8 | DC62-00012D | FILTER-GUIDE | HEBA-PJT,PU- FOAM,T12,W20,L15,BLK,30PPI | 1 | PC | SA |