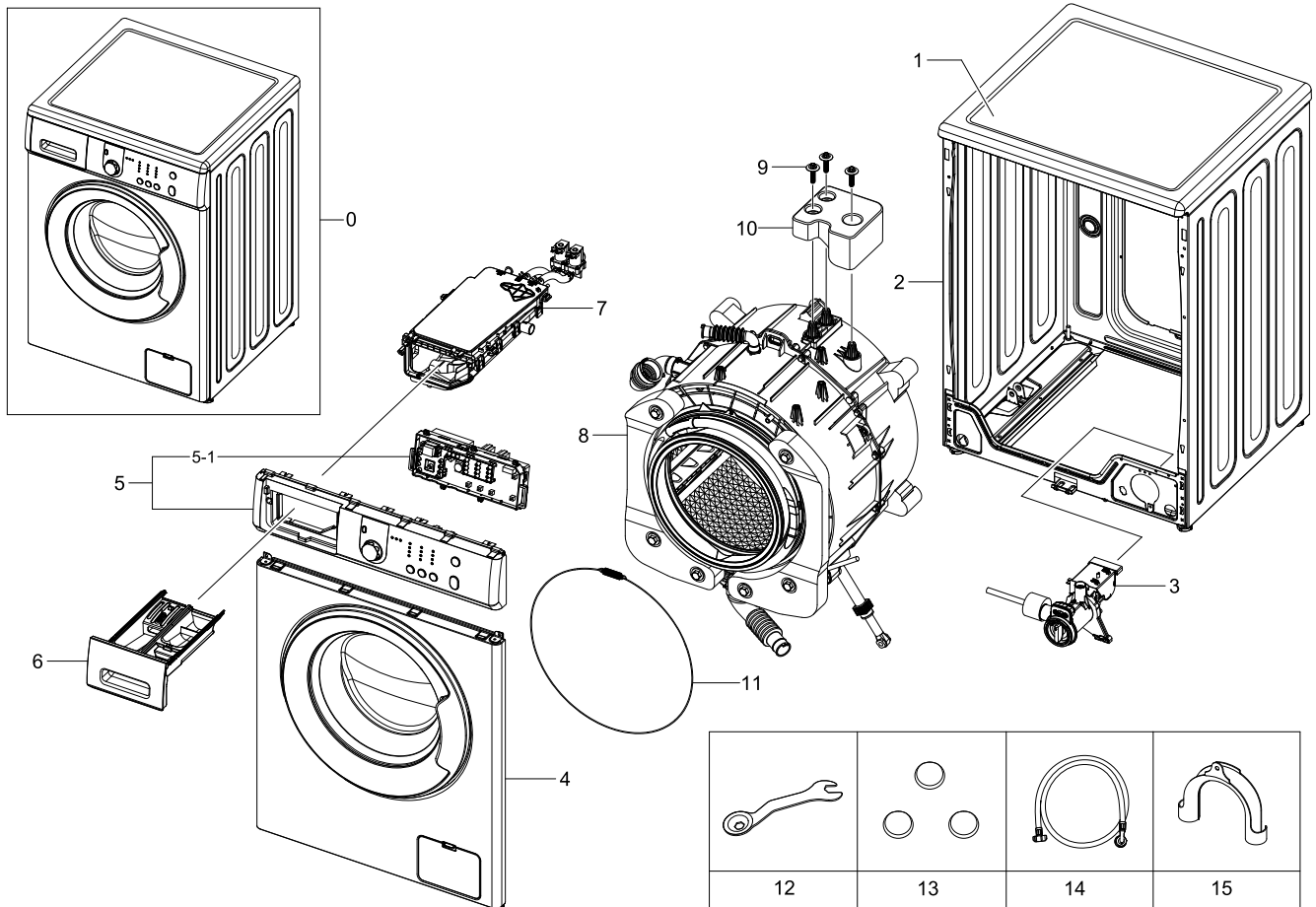


1. Main

Exploded View



Parts List

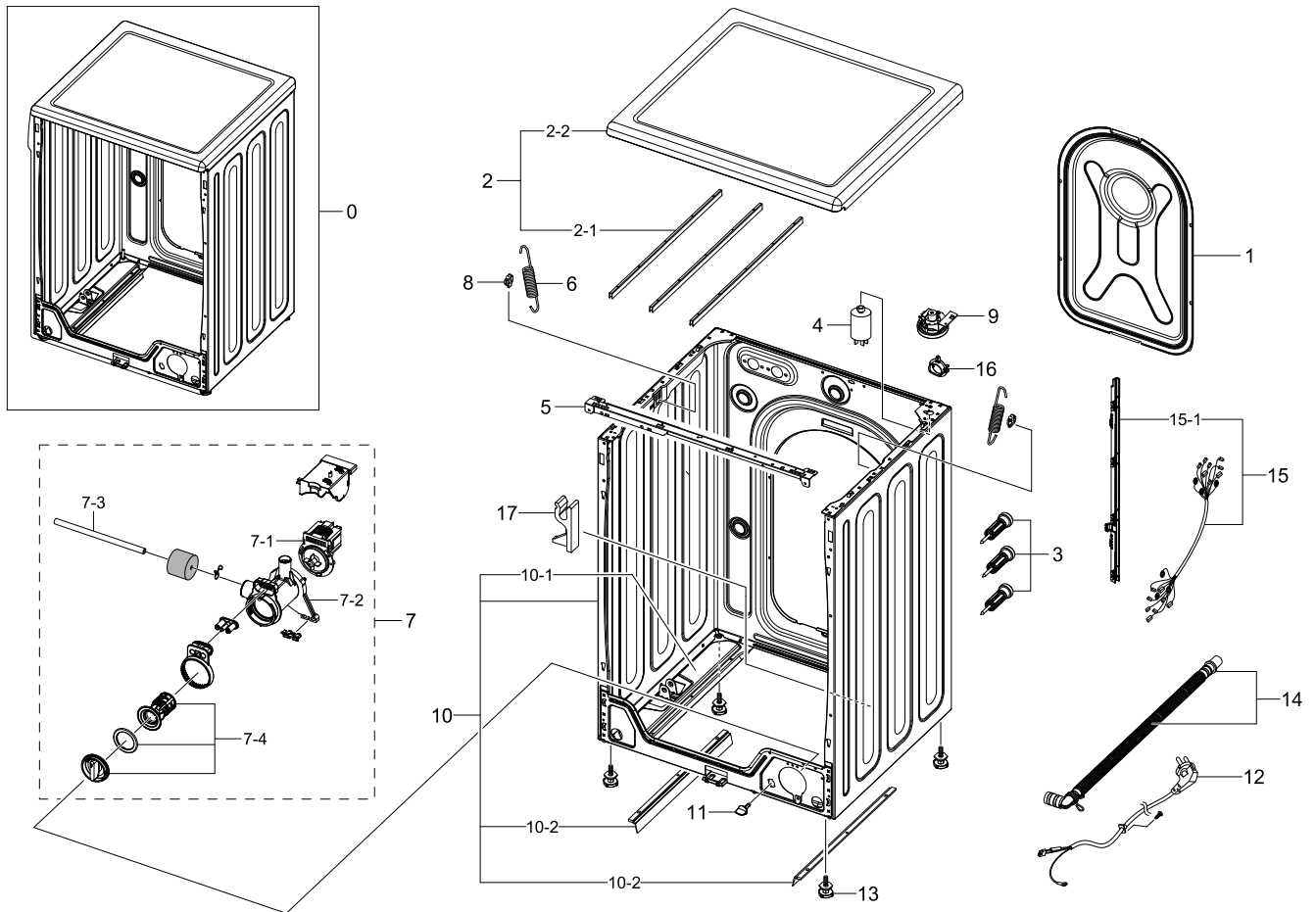
No.	Lvl.	Loc.	Material Code	Description & Specification	SNA	Qty.
1	2	WF0003	DC97-16003A	ASSY COVER TOP; HEBA BIGBANG,WF0800,ABS+G	SA	1
2	2	WF0004	DC97-15923A	ASSY FRAME; HEBA BIG BANG,WF0800NCE,PCM(G	SA	1
3	2	WU5151	DC97-15976A	ASSY PUMP DRAIN; WF0800NCE,HEBA BIGBANG,D	SA	1
4	2	WF0005	DC97-16007A	ASSY FRAME FRONT; HEBA BIG BANG,WF0800NCE	SC	1
5	2	WC0016	DC97-16035A	ASSY PANEL CONTROL; HEBA BIG BANG,WF0800N	SNA	1
5-1	3	WZ0010	DC92-00313A	ASSY PCB MAIN; P171,HEBA BIGBANG,WF0800NC	SA	1
6	2	WR0005	DC97-16004A	ASSY DRAWER; HEBA BIGBANG,WF0800NCE,WHT	SA	1
7	2	WR0008	DC97-16286A	ASSY HOUSING DRAWER; HEBA BIGBANG,WF0800N	SA	1

Exploded Views and Parts List

No.	Lvl.	Loc.	Material Code	Description & Specification	SNA	Qty.
8	1	WG0013	DC90-03415A	ASSY TUB & DRUM; HEBA BIGBANG,WF0800NCE	SNA	1
9	2	WJ5013	DC97-14263A	ASSY BOLT; HEBA-PJT,MOTOR/BOLT(M8)+WASHER	SA	10
10	2	WJ0008	DC91-12078D	ASSY WIRE DIAPHRAGM; HEBA-PJT,-,-,-,-,-	SA	1
11	2	WT5109	DC67-00533A	WEIGHT BALANCER-UP; WF0800,CONCRETE,GRAY,	SA	1
12	2	WJ5077	DC60-40146A	BOLT SPANER; CR,T2.5,-	SA	1
13	2	WA5001	DC67-00307A	CAP-FIXER; WF438AAC/XAA,PP,T1.5,RECYCLE,B	SC	3
14	2	WH5290	DC62-10289B	HOSE-WATER(C); WIP4013SRW,PVC+NYLON,ID10.	SA	1
15	2	WH5379	DC62-10278A	HOSE HANGER; PUMP MODEL,PP,BLACK	SA	1

2. Frame&Cover Parts

Exploded View



Parts List

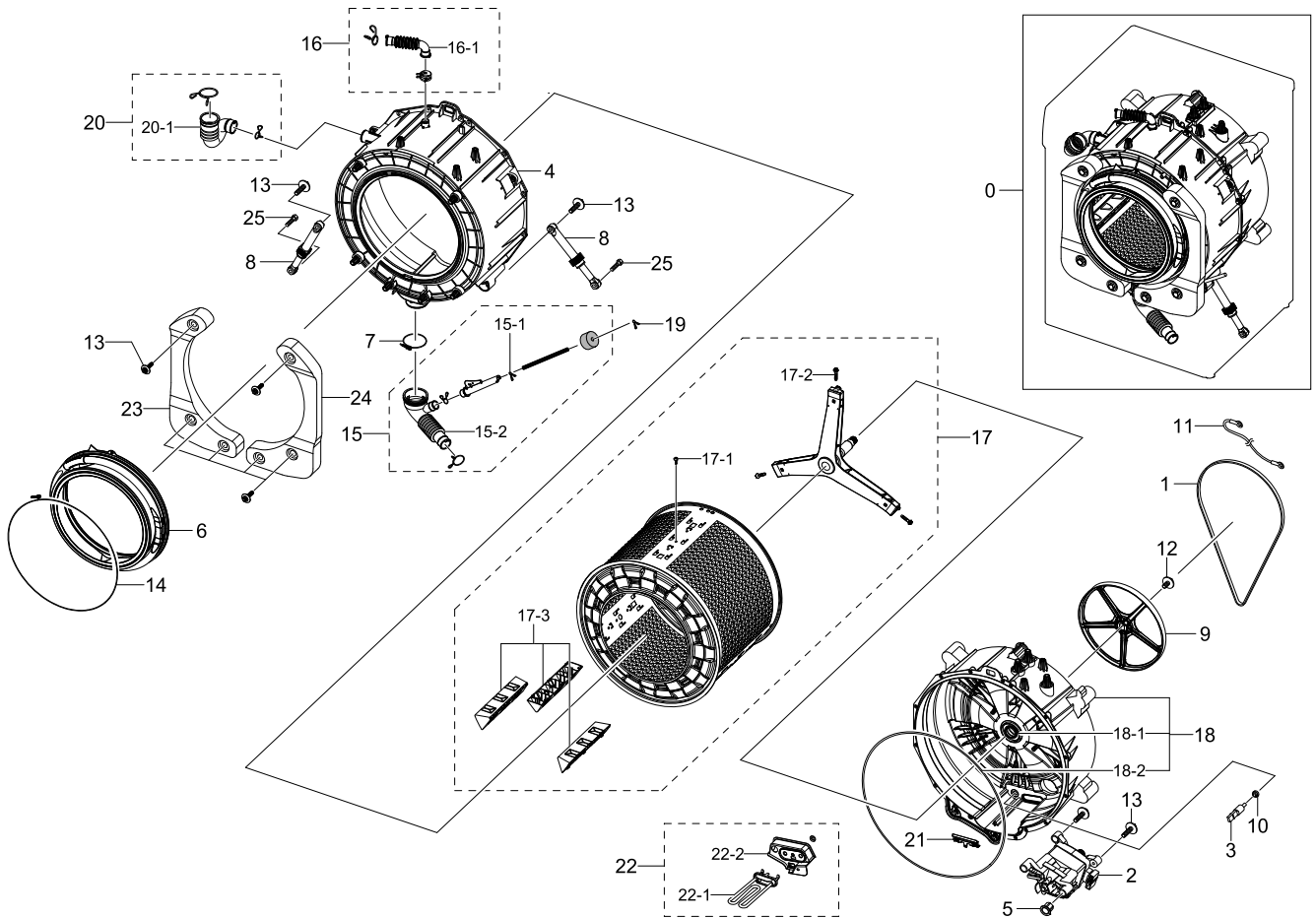
No.	Lvl.	Loc.	Material Code	Description & Specification	SNA	Qty.
1	2	WF0002	DC97-15019A	ASSY COVER BACK; HEBA-PJT,-,COVER BACK +	SA	1
2	2	WF0003	DC97-16003A	ASSY COVER TOP; HEBA BIGBANG,WF0800,ABS+G	SA	1
2-1	3	WP0070	DC61-02578A	BRACKET-COVER TOP; WF0800NCE,GI-SGCC,T0.8	SA	3
2-2	3	WF0045	DC63-01136A	COVER-TOP; WF0800NCE,ABS,T3.5,W596,L542,D	SC	1
3	2	WJ5109	DC97-14653C	ASSY FIXER TUB; SCOUT,WF0804Y8E/XEF	SA	3
4	2	WE0076	DC29-00005D	FILTER-EMI; FA-2151T-4 / RDFC-2718,1.2mm	SA	1
5	2	WF0088	DC61-01927B	FRAME-PLATE(U); WF0800NCE,GI-SGCC,NTR,T1.	SA	1
6	2	WF0102	DC61-02029C	SPRING ETC-HANGER; GE24,HSWR-SWRH,CD3.5,I	SA	2
7	2	WU5151	DC97-15976A	ASSY PUMP DRAIN; WF0800NCE,HEBA BIGBANG,D	SA	1

Exploded Views and Parts List

No.	Lvl.	Loc.	Material Code	Description & Specification	SNA	Qty.
7-1	3	WU5008	DC31-00030A	PUMP-DRAIN; B20-6 / S3001,220V-240V,50Hz,	SA	1
7-2	3	WU0023	DC61-02644A	CASE-PUMP; HEBA BIGBANG,PP,T3.0,W122,L127	SA	1
7-3	3	WH5223	DC67-00244B	HOSE DRAIN; VENUS,EPDM,ID6,OD11,T2.5,L250	SA	1
7-4	3	WA0006	DC97-15977A	ASSY FILTER; HEBA BIGBANG,WF0800NCE,MESH,	SA	1
8	2	WI0266	DC61-02432A	GUIDE SPRING; WF419AAW,POM,T2.0,W81.5,L36	SA	2
9	2	WE0020	DC96-01703A	ASSY SENSOR PRESSURE; Hook	SA	1
10	2	WF0004	DC97-15923A	ASSY FRAME; HEBA BIG BANG,WF0800NCE,PCM(G	SA	1
10-1	3	WF0086	DC61-01928C	FRAME-PLATE(L); HEBA-PJT,GI-SGCC,T1.0,HEB	SA	1
10-2	4	WB0038	DC63-01193A	COVER-BASE; WF0800,PET,T1.0,W40,L400,GRAY	SA	1
11	2	WI0107	DC61-10673A	CAP DRAIN; PP,-,-,BJ-730,-	SNA	1
12	2	WE0016	DC96-00146A	ASSY POWER CORD; VDE,UCP2,250V16A,H05VV-F	SC	1
13	2	WB5216	DC97-00920C	ASSY LEG; SEW-HW108,L48.5,M10	SC	4
14	2	WH0022	DC97-02250Y	ASSY HOSE DRAIN(O); HEBA,WF8800,ASSY,L185	SA	1
15	2	WW0026	DC93-00158A	ASSY M.GUIDE WIRE HARNESS; HEBA BIGBANG,W	SA	1
15-1	3	WF5049	DC61-02591A	GUIDE-WIRE(F); WF0800NCE,PP,T1.2,W21.5,L4	SA	1
16	2	WH5359	DC61-00274A	GUIDE HOSE; P/PV/M,PP,-,-,-,WHT,FRAME/DRA	SA	1
17	2	WI0383	DC61-02601A	GUIDE HOSE; EPP,T50,WHT	SA	1

3. Assy Tub&Drum

Exploded View



Parts List

No.	Lvl.	Loc.	Material Code	Description & Specification	SNA	Qty.
0	1	WG0013	DC90-03415A	ASSY TUB & DRUM; HEBA BIGBANG,WF0800NCE	SNA	1
1	2	WS0060	6602-001497	BELT-TIMING GEAR; RUBBER(GATES),T3.2,1270	SA	1
2	2	WG0065	DC31-00002M	MOTOR UNIVERSAL-DRUM; MCC 52/64-148/SEC4,	SA	1
3	2	WE5178	DC32-00010A	THERMISTOR; -,11982OHM AT 25-,-55~155	SA	1
4	2	WT0042	DC61-01933A	TUB FRONT; HEBA PJT,FRPP,ID528,OD575,NTR,	SA	1
5	2	WS0064	DC61-02549A	BUSH MOTOR; HEBA BIGBANG,PA66+GF15%,NATUR	SNA	1
6	2	WD0067	DC64-02038A	DOOR DIAPHRAGM; HEBA BIGBANG,EPDM,T3.0,H8	SA	1
7	2		DC65-00021A	CLAMPER HOSE-JOINT; HEBA PJT,HSWR-SWRH,ID	SNA	1

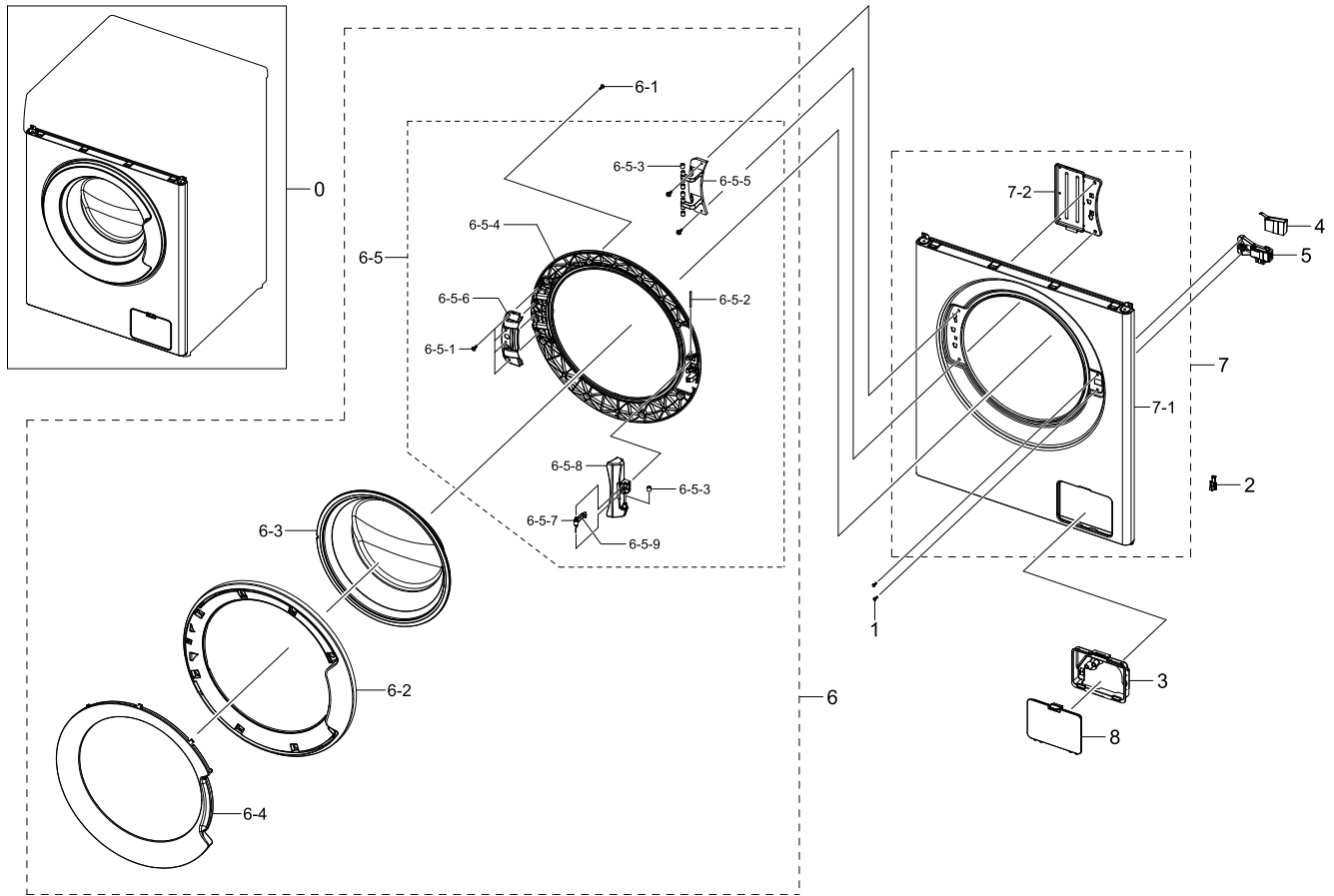
Exploded Views and Parts List

No.	Lvl.	Loc.	Material Code	Description & Specification	SNA	Qty.
8	2	WB5201	DC66-00343D	DAMPER-SHOCK; GW-PJT,STEEL+PP+RUBBER,80N,	SC	2
9	2	WS0109	DC66-00530B	PULLEY MOTOR; HEBA BIGBANG,ALDC,OD296.8,I	SA	1
10	2	WE0115	DC69-00824A	PACKING-THERMISTOR; GW-PJT,EPDM,-,-,W17,H	SA	1
11	2		DC96-01327C	ASSY WIRE HARNESS; HEBA-BIGBANG,WASHER,22	SNA	1
12	2	WJ5031	DC97-06080A	ASSY BOLT; SEW-3HR105,BOLT+WASHER	SA	1
13	2	WJ5013	DC97-14263A	ASSY BOLT; HEBA-PJT,MOTOR/BOLT(M8)+WASHER	SA	10
14	2	WJ0002	DC97-14618A	ASSY CLAMP DIAPHRAGM; WF8804DP,OD2.0/L124	SA	1
15	2	WH5380	DC97-14637F	ASSY HOSE PRESSURE; HEBA BIGBANG,WF0800NC	SA	1
15-1	3	WP0165	DC61-70029C	CLIP RING; SEW-HW125,HSWR,WHITE	SA	1
15-2	3	WH0012	DC67-00293A	HOSE FILTER TUB; HEBA-PJT,EPDM,-,-,T2.5,-	SA	1
16	2	WH5017	DC97-14873B	ASSY HOSE AIR; HEBA,WF8702,-,BLACK	SA	1
16-1	3	WH5206	DC67-00354A	HOSE AIR; HEBA PJT,EPDM,BLK,7kg	SA	1
17	2	WG0004	DC97-15891A	ASSY DRUM; HEBA BIGBANG,WF0800NCE,492*411	SC	1
17-1	3	WX0458	6002-001186	SCREW-TAPPING; TH,+,-,2,M5.5,L16,PASS,STS	SA	3
17-2	3	WJ5081	DC60-40137A	BOLT HEX; MARS-PJT,STAINLESS-STS430,M8,P1	SA	3
17-3	3	WG0055	DC66-00493A	DRUM LIFTER; HEBA PJT,PP,TI42,GRAY,7/8KG	SA	3
18	2	WT0007	DC97-15943A	ASSY TUB BACK; HEBA BIGBANG,WF0800NCE,8kg	SA	1
18-1	3	WS0119	DC62-00008A	SEAL OIL; NBR,BLACK,-,NBU	SA	1
18-2	3	WO0055	DC69-01154A	PACKING-TUB; WF8804DP,EPDM,-,-,L1650	SA	1
19	2	WP0165	DC61-70029C	CLIP RING; SEW-HW125,HSWR,WHITE	SA	1
20	2	WH5375	DC97-14874C	ASSY HOSE DRAWER; HEBA BIGBANG,WF0800NCE,	SA	1
20-1	3	WH5191	DC67-00422A	HOSE DRAWER TUB; HEBA-PJT,EPDM,BLK	SC	1
21	2	WP0099	DC61-02664A	BRACKET HEATER; HEBA,STAINLESS-STS430,T0.	SA	1
22	2	WE0010	DC97-14827F	ASSY HEATER; HEBA,230V/ 2000W,NORMAL/GRAY	SNA	1
22-1	3	WE0155	DC47-00033B	HEATER-WASH; HEBA,SUS316L,2000,8.69,230V,	SA	1
22-2	3	WE0060	DC63-00889A	COVER-HEATER; WF438AAG,ABS+PC,T3.0,W160.0	SA	1
23	2	WB0056	DC67-00531A	WEIGHT-BALANCER(F/L); WF0800,CONCRETE,T45	SA	1

No.	Lvl.	Loc.	Material Code	Description & Specification	SNA	Qty.
24	2	WB0055	DC67-00532A	WEIGHT-BALANCER(F/R); WF0800,CONCRETE,T45	SA	1
25	2	WX0558	6011-001644	BOLT-HEX; M10,L35,ZPC2,SM10C,DAMPER	SA	2

4. Assy Frame Front&Door

Exploded View



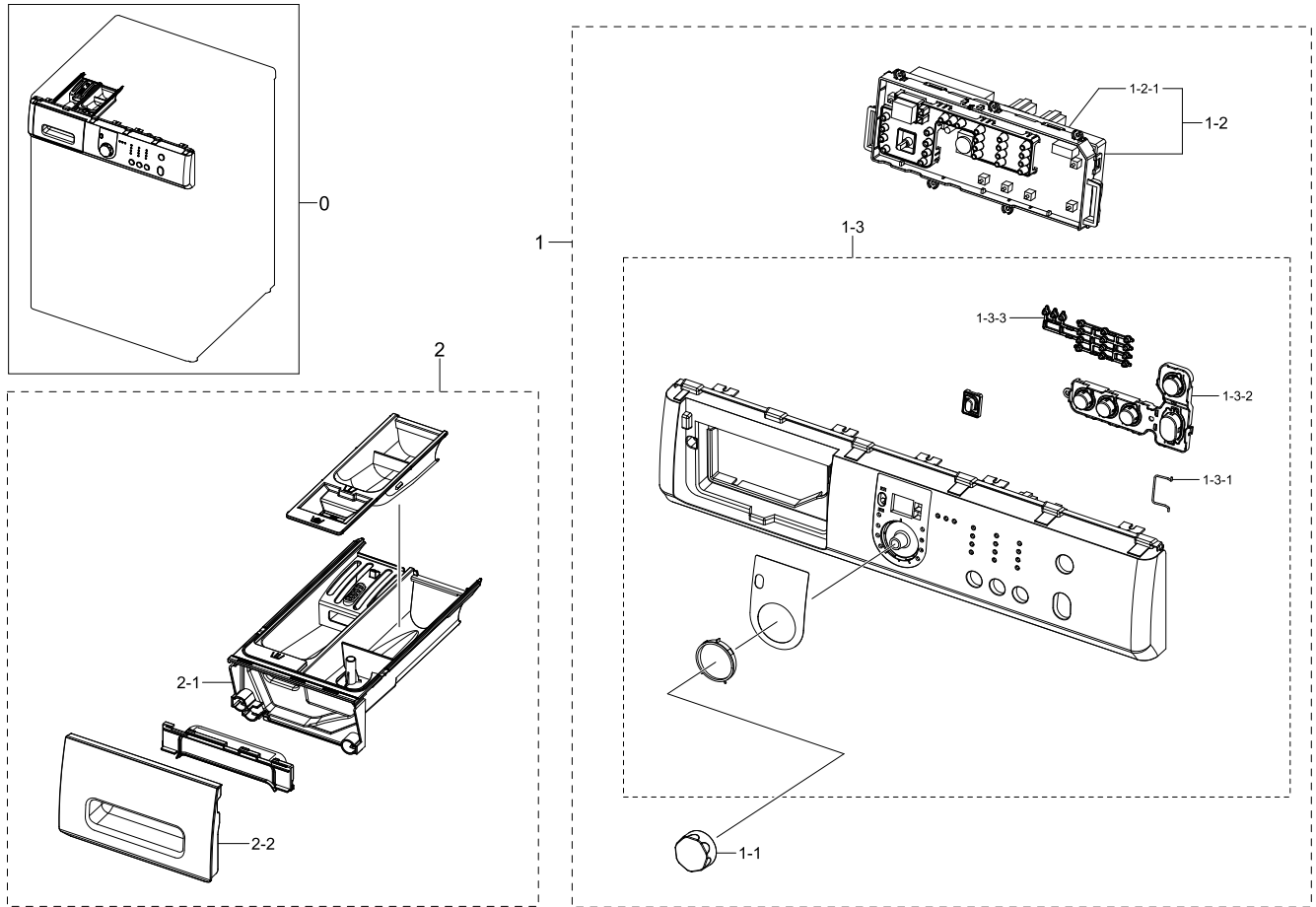
Parts List

No.	Lvl.	Loc.	Material Code	Description & Specification	SNA	Qty.
0	2	WF0005	DC97-16007A	ASSY FRAME FRONT; HEBA BIG BANG,WF0800NCE	SC	1
1	3	WX0434	6002-000471	SCREW-TAPPING; TH,+,-,1,M4,L12,PASS,STS30	SA	2
2	3	WF0128	DC61-02577A	GUIDE FRAME FRONT; WF0800NCE,POM,W4.1,L18	SA	4
3	3	WI0248	DC61-02582A	GUIDE-FILTER; WF0800NCE,ABS,T2.0,W150,L11	SA	1
4	3	WE0059	DC63-00967A	COVER DOOR SWITCH; AEGIS-PJT/ WF8500NHW,P	SA	1
5	3	WE0067	DC64-01538A	DOOR-LOCK S/W; ZV-446L5,PA,W95,L52,WHITE,	SA	1
6	3	WD0003	DC97-15998A	ASSY DOOR; HEBA BIG BANG,WF0800NCE,MILD-B	SA	1
6-1	4	WX0621	6002-000444	SCREW-TAPPING; TH,+,-,2,M4,L14,PASS,STS430	SA	13

No.	Lvl.	Loc.	Material Code	Description & Specification	SNA	Qty.
6-2	4	WD0037	DC63-01135A	COVER-DOOR; WF0800,ABS,T2.5,MILD-BEIGE(DA	SA	1
6-3	4	WD0070	DC64-02034A	DOOR-GLASS; HEBA BIGBANG,GLASS,T5.0,PI353	SA	1
6-4	4	WD0046	DC64-02131A	DECORATION-COVER DOOR; WF0800NCE,ABS,T2.5	SA	1
6-5	4	WD0010	DC97-15999A	ASSY HOLDER GLASS; HEBA BIG BANG,WF0800NC	SA	1
6-5-1	5	WX0622	6002-001306	SCREW-TAPPING; TH,+,1,M4,L14,ZPC(WHT),SWR	SA	4
6-5-2	5	WJ0064	6043-001093	PIN-PARALLEL(KEY); A,OD3,L40,PASS,STS204	SA	1
6-5-3	5	WD0090	DC61-00891A	GUIDE HINGE; HAUZEN(DOM),POM,-,-,-,WHT,HI	SA	5
6-5-4	5	WD0105	DC61-02574A	HOLDER-GLASS; WF0800NCE,PP,T2.5,W449,L449	SA	1
6-5-5	5	WD0096	DC61-02575A	HINGE-DOOR; WF0800NCE,ALDC,T3.8,W155,L30,	SA	1
6-5-6	5	WP0103	DC61-02579A	BRACKET-HOLDER; WF0800NCE,GI-SGCC,T1.2,W4	SA	1
6-5-7	5	WD0130	DC61-02605A	SPRING ETC-LEVER; WF0800,STAINLESS-STS304	SA	1
6-5-8	5	WD0094	DC64-02130A	HANDLE-DOOR; WF0800NCE,ABS,T2.5,W155,MILD	SA	1
6-5-9	5	WD0114	DC66-00497A	LEVER DOOR; WF8804DP,ZNDC,T10,W10,L46,NI	SC	1
7	3		DC97-16087A	ASSY FRAME FRONT-SVC; HEBA BIG BANG,WF080	SNA	1
7-1	4	WF0082	DC61-02576A	FRAME-FRONT; WF0800NCE,GI-SGCC,DA-WHITE(S	SC	1
7-2	4	WP0101	DC61-02584A	BRACKET HINGE; GI-SGCC,T1.4,-	SA	1
8	3	WI0167	DC63-01138A	COVER-FILTER; WF0800NCE,ABS,T2.5,W150,L11	SA	1

5. Assy Panel Control&Drawer

Exploded View



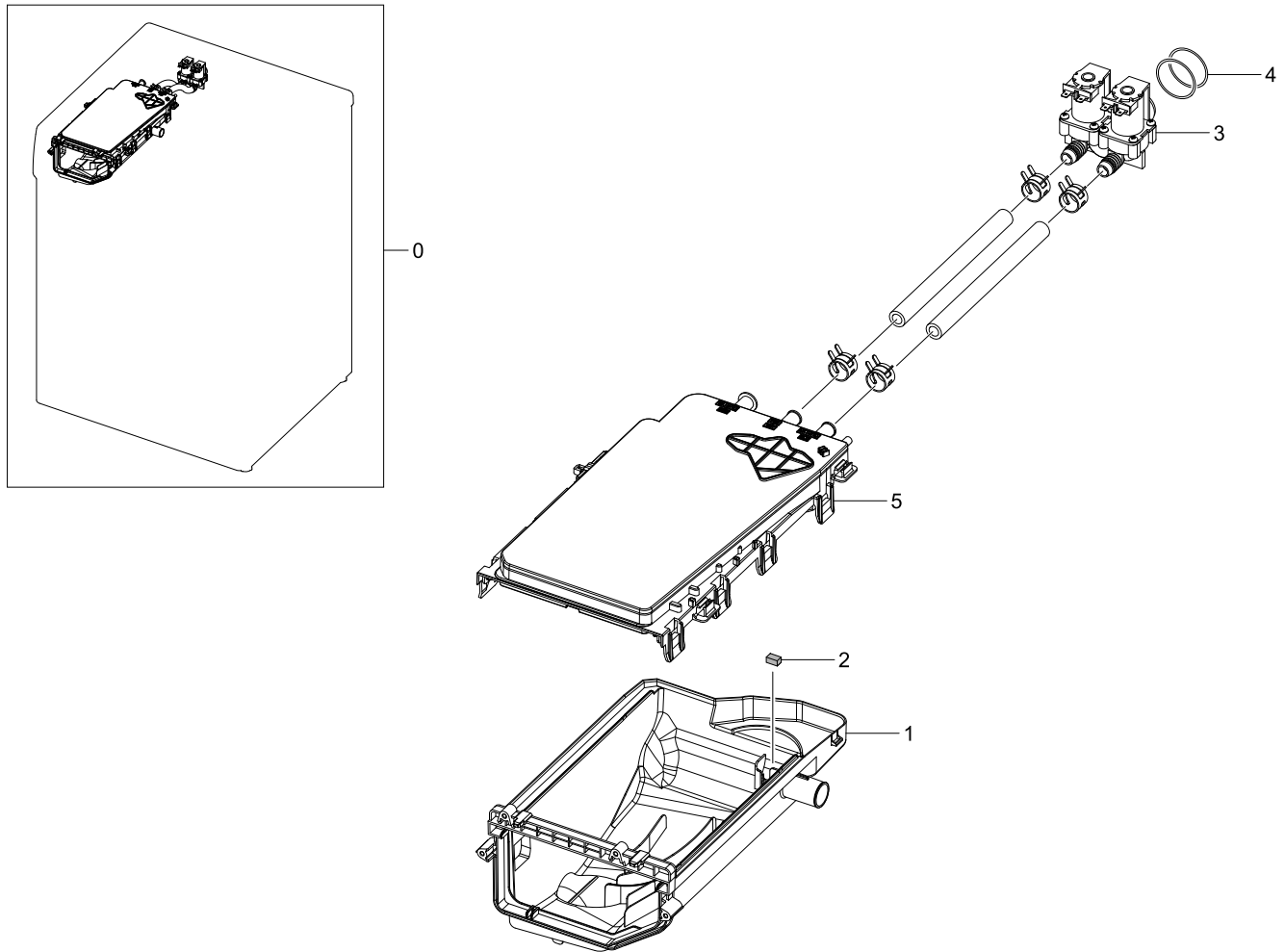
Parts List

No.	Lvl.	Loc.	Material Code	Description & Specification	SNA	Qty.
1	2	WC0016	DC97-16035A	ASSY PANEL CONTROL; HEBA BIG BANG,WF0800N	SNA	1
1-1	3	WC0101	DC64-02128A	KNOB-ENCODER; WF0800NCE,ABS,T2.0,OD40,DA	SA	1
1-2	3	WZ0010	DC92-00313A	ASSY PCB MAIN; P171,HEBA BIGBANG,WF0800NC	SA	1
1-2-1	4	WI0278	DC61-02647A	GUIDE-WIRE; WF0800NCE,PP,T0.5,W15,L150,BL	SA	1
1-3	3	WC0018	DC97-15968A	ASSY S.PANEL CONTROL; HEBA_BIGBANG,WF0800	SA	1
1-3-1	4	WC0128	DC61-02665A	SPRING ETC-BUTTON; WF0800NCE,HSWR-SWRH,CD	SA	1
1-3-2	4	WC0053	DC64-02125A	BUTTON-PUSH(F); WF0800NCE,ABS,DA-WHTE(SC-	SA	1
1-3-3	4	WC0079	DC64-02127A	DECORATION-LED; WF0800NCE,ABS,T2,TRP,HEBA	SA	1

No.	Lvl.	Loc.	Material Code	Description & Specification	SNA	Qty.
2	2	WR0005	DC97-16004A	ASSY DRAWER; HEBA BIGBANG,WF0800NCE,WHT	SA	1
2-1	3	WR0029	DC61-02580A	BODY DRAWER; WF0800NCE,PP,T2.0,L265.5,W15	SA	1
2-2	3	WC0123	DC64-02132A	PANEL-DRAWER; WF0800NCE,ABS,T2.5,W184,L11	SA	1

6. Assy Housing Drawer

Exploded View




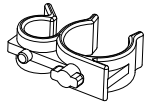

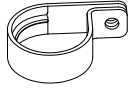




Parts List

No.	Lvl.	Loc.	Material Code	Description & Specification	SNA	Qty.
0	2	WR0008	DC97-16286A	ASSY HOUSING DRAWER; HEBA BIGBANG,WF0800N	SA	1
1	3	WR0050	DC61-02434A	HOUSING DRAWER-LOW; HEBA-PJT,PP,T1.8,NATU	SA	1
2	3	WI0227	DC62-00012D	FILTER-GUIDE; HEBA-PJT,PU-FOAM,T12,W25,L1	SA	1
3	3	WE5186	DC62-30312K	VALVE WATER; 220-240,10,D-2	SA	1
4	3	WT0033	DC62-40167A	SEAL WATER; PE-FOAM,V0,PI40XPI25XT5	SA	2
5	3	WR0012	DC97-16285A	ASSY S.HOUSING DRAWER; HEBA BIGBANG,WF080	SC	1

7. Small Parts

Exploded View

				
1	2	3	4	5
				
6	7	8		

Parts List

No.	Lvl.	Loc.	Material Code	Description & Specification	SNA	Qty.
1	2	WI0293	DC61-01736B	HOLDER WIRE; WF337AAW,PA,T2.3,NATURAL,-	SA	1
2	2	WI0293	DC61-40081A	HOLDER WIRE; DAWH-2NC,PA,-,NATURAL,-	SA	3
3	2	WI0293	DC61-40083A	HOLDER WIRE; DAWH-3ND,NYLON66,NTR(PI24.4)	SNA	1
4	2		DC61-00133A	CLAMPER HOSE-FIX; P1291,PP,-,HOSE+PLUG,BJ	SNA	1
5	2		6502-000127	CABLE CLAMP; DAWH-18NB,ID15,-,NYLON66,NTR	SNA	1
6	2		DC61-00118A	CLAMPER HOSE-FIX; P1291,PA66,ID27,OD30	SNA	1
7	2	WI0295	DC61-60074A	HOLDER WIRE; PA,-,NATURAL,-,rectangle	SA	6
8	2		DC65-20008A	CABLE CLAMP; DA-2N	SNA	1