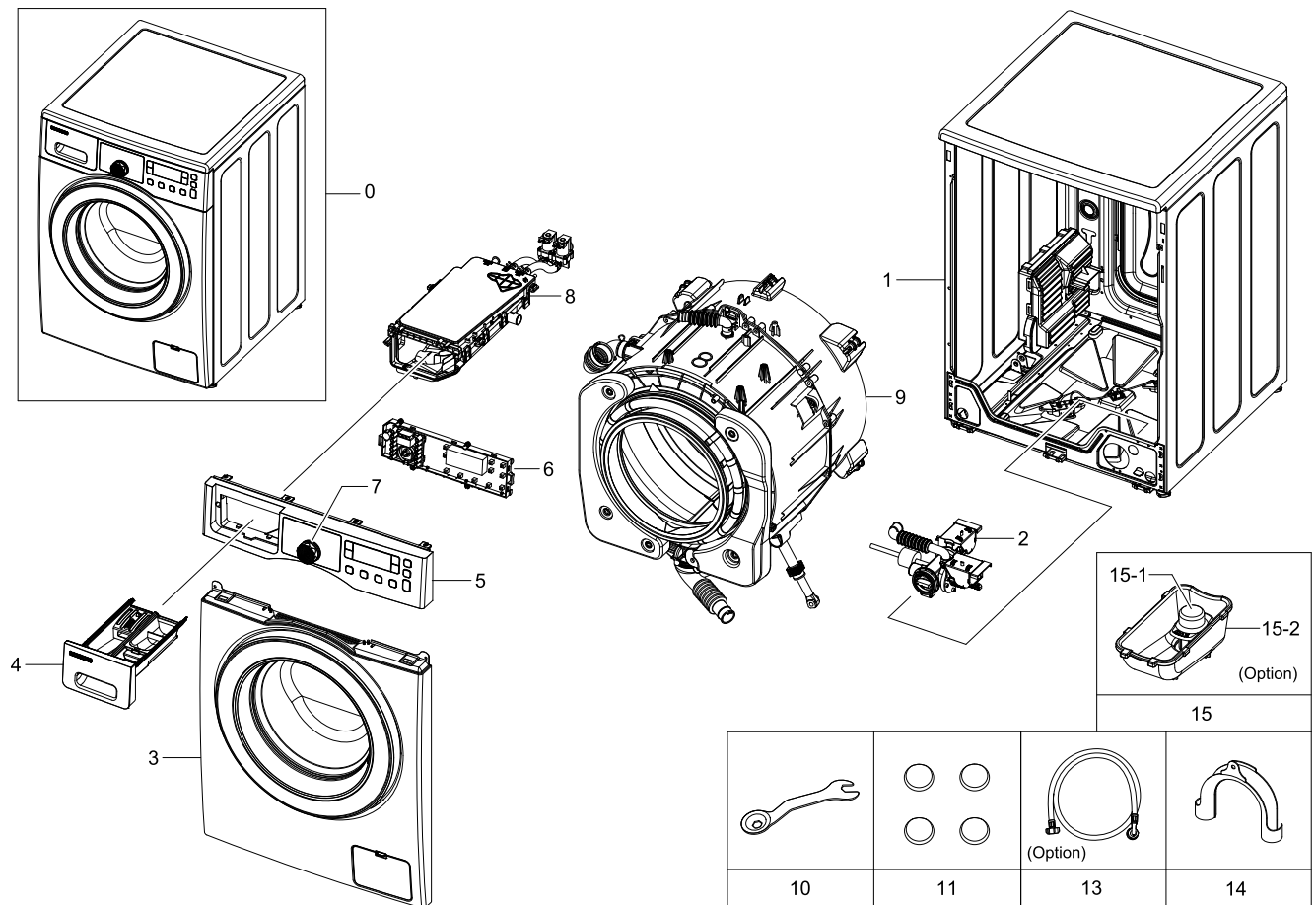


1. Main

Exploded View



Parts List

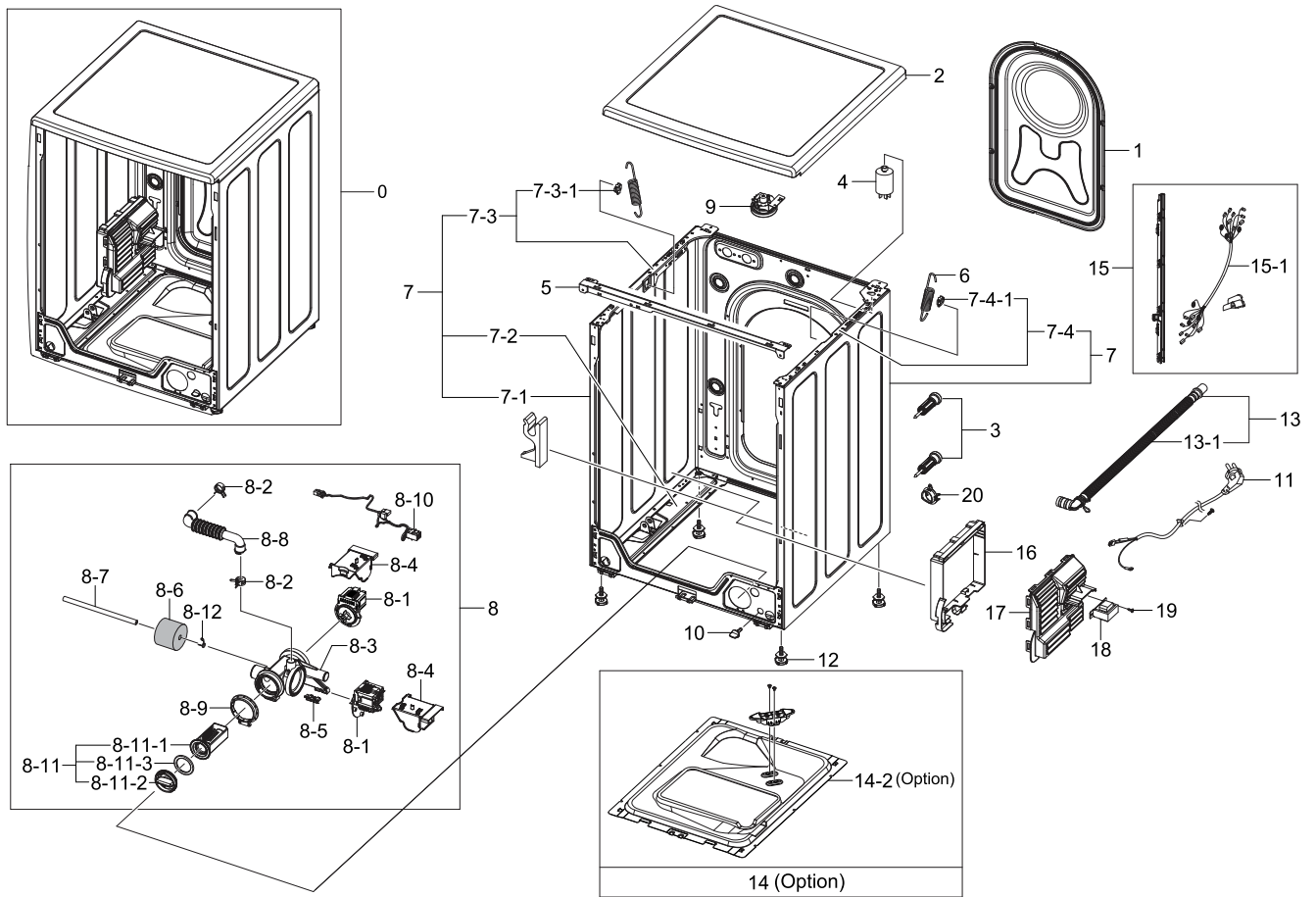
No.	Parent	Lvl.	Loc.	Material Code	Description & Specification	SNA	Qty.
1	DC90-04382A	2	W0506	DC97-15012V	ASSY FRAME; SCOUT-PJT,WF0704L7W/XEF,GI,T1	SA	1
2	DC90-04385A	2	W0194	DC97-15696E	ASSY PUMP DRAIN; SCOUT-PJT,WF0804Y8E/XEF,	SA	1
3	DC90-08348A	2	W0253	DC97-15006A	ASSY FRAME FRONT; -,J1488/HAC,DA WHITE DO	SNA	1
4	DC90-08348A	2	W0216	DC97-16021A	ASSY DRAWER; SCOUT,WF0804Y8E	SA	1
5	DC90-08348A	2	W0478	DC97-16875G	ASSY PANEL CONTROL; SCOUT,WF0702W7W/XEC,B	SA	1
6	DC90-08348A	2	W0469	DC92-00353H	ASSY PCB SUB; WF0702W7W1/XEC,Y,SMPS	SNA	1
7	DC90-08348A	2	W0475	DC97-15723B	ASSY KNOB ENCODER; GRIFFIN-PJT,WF9904RWE,	SA	1
8	DC90-04385A	2	W0163	DC97-16005C	ASSY HOUSING DRAWER; SCOUT,WF0804Y8E,COLD	SA	1

Exploded Views and Parts List

No.	Parent	Lvl.	Loc.	Material Code	Description & Specification	SNA	Qty.
9	WF0702W7W/XEC	1	W0502	DC90-04386A	ASSY TUB & DRUM; SCOUT,WF0704W7V/XST	SNA	1
10	DC90-08379A	2	W0611	DC60-40146A	BOLT-SPANER; -,CR,-,T2.5,OD36,-,-,-,-	SA	1
11	DC90-08379A	2	W0614	DC67-00307B	CAP-FIXER; SEPM MODEL,PP,T1.5,NTR	SA	4
13	DC97-14637C	3	W0725	DC67-00230E	HOSE-WATER; WD8704,TPE,ID4.5,OD8.0,T1.75,	SNA	1
14	DC90-08379A	2	W0626	DC62-10278A	HOSE-HANGER; PUMP MODEL,PP,BLK,RM60 RESIN	SA	1
15	DC90-08379A	2	W0630	DC97-16128C	ASSY COVER DRAWER; HEBA,PP	SA	1
15-1	DC97-16128C	3	W0632	DC67-00524A	CAP-DRAWER; WF0804Y8E/XEF,PP,T2.0,W27,L43	SA	1
15-2	DC97-16128C	3	M0102	DC61-02581C	GUIDE-LIQUID(M); WF1802XEC,PP,T2.0,W61,L1	SA	1

1.1. Frame&Cover Parts

Exploded View



Parts List

No.	Parent	Lvl.	Loc.	Material Code	Description & Specification	SNA	Qty.
1	DC90-08348A	2	G0430	DC97-15809A	ASSY COVER BACK; GRIFFIN PJT,WF9904RWE/XE	SA	1
2	DC90-08348A	2	W0183	DC97-16514L	ASSY COVER TOP; SCOUT,DD-MOTOR,WITHOUT AL	SA	1
3	DC90-08348A	2	W0603	DC97-14794C	ASSY FIXER TUB; SCOUT,WF0704L7W/XEF	SA	4
4	DC90-04385A	2	W0229	DC29-00015E	FILTER-EMI; MINERVA-PJT,250VAC,15,D53*H71	SA	1
5	DC90-04385A	2	W0248	DC61-01927A	FRAME-PLATE(U); HEBA-PJT,GI,-,-,T1.2,-,	SNA	1
6	DC90-04385A	2	W0630	DC61-02029C	SPRING ETC-HANGER; GE24,HSWR,CD3.5,ID24.8	SA	2
7	DC90-04382A	2	W0506	DC97-15012V	ASSY FRAME; SCOUT-PJT,WF0704L7W/XEF,GI,T1	SA	1

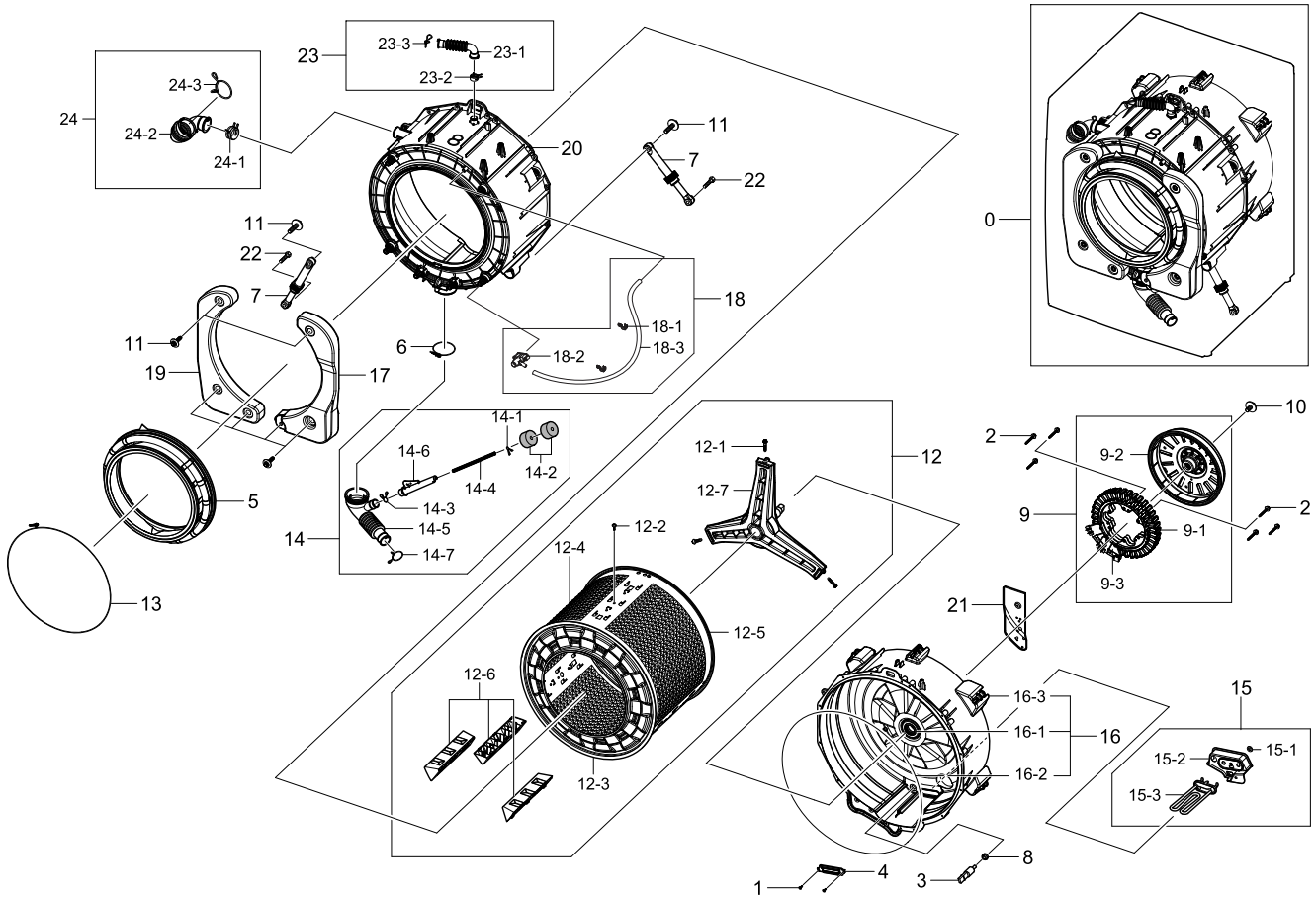
Exploded Views and Parts List

No.	Parent	Lvl.	Loc.	Material Code	Description & Specification	SNA	Qty.
7-1	DC97-15012V	3	W0244	DC61-02172E	FRAME; HEBA-COMBO,PCM(GI),-,-,DA WHT,T0.8	SNA	1
7-2	DC97-15012V	3	W0621	DC61-01928B	FRAME-PLATE(L); HEBA-PJT,GI,T1.0,2WAY PUM	SNA	1
7-3	DC97-15012V	3		DC97-15687A	ASSY BRACKET SPRING(R); HEBA 7kg,HEBA-COM	SNA	1
7-3-1	DC97-15688A	4	W0140	DC61-02065A	GUIDE-SPRING; WF448AAG/XXA,POM,T4,W24,L25	SA	1
7-4	DC97-15012V	3		DC97-15688A	ASSY BRACKET SPRING(L); HEBA 7kg,HEBA-COM	SNA	1
7-4-1	DC97-15688A	4	W0140	DC61-02065A	GUIDE-SPRING; WF448AAG/XXA,POM,T4,W24,L25	SA	1
8	DC90-04385A	2	W0194	DC97-15696E	ASSY PUMP DRAIN; SCOUT-PJT,WF0804Y8E/XEF,	SA	1
8-1	DC97-15696E	3	M0022	DC31-00030A	PUMP-DRAIN; B20-6,220V,50Hz,-,HANYU	SA	2
8-2	DC97-15696E	3	W0615	DC61-00158A	CLAMPER HOSE; SW65ASP,SK5,ID23,T0.8/YEL	SA	2
8-3	DC97-15696E	3	W0479	DC61-02271B	CASE-PUMP; WF0804Y8E/XEF,PP,T2.5,W153.6,L	SA	1
8-4	DC97-15696E	3	W0213	DC63-00830A	COVER-PUMP; COVER-PUMP,PP,T2.1,W60.5,L75,	SA	2
8-5	DC97-15696E	3		DC63-00905A	CUSHION-PUMP; WF8802DPF/XET,NBR,-,W37.6,L	SNA	1
8-6	DC97-14637C	3	G0054	DC63-10003C	ABSORBER SPONGE; SWF-P12,PU-FOAM,GRY	SNA	1
8-7	DC97-15696E	3	U2015	DC67-00244C	HOSE-DRAIN; WF0804Y8E,EPDM,ID6,OD11,T2.5,	SA	1
8-8	DC97-15696E	3	G0053	DC67-00461A	HOSE-AIR TUB; SCOUT- PJT,EPDM,T1.5,BLK	SA	1
8-9	DC97-15696E	3		DC69-01128A	PACKING-PUMP; WF8804DP,RUB-OTH,BUTYL,T2.5	SNA	1
8-10	DC97-15696E	3	W0224	DC93-00016C	ASSY WIRE HARNESS-PUMP; GRIFFIN,CIRCULTIO	SA	1
8-11	DC97-15696E	3	G0050	DC97-15695A	ASSY FILTER; GRIFFIN-PJT,WF9804RWE,PP+EPD	SA	1
8-11-1	DC97-15695A	4	W0633	DC63-00998A	FILTER-PUMP; WF8702LSW,PP,T2.0,W52.8,L93.	SA	1
8-11-2	DC97-15695A	4		DC64-01317A	HANDLE-FILTER; HANDLE-FILTER,PP,T2.5,W55,	SNA	1
8-11-3	DC97-15695A	4		DC73-00022A	SEAL-PACKING; SEW-HVR149ATA,EPDM,BLK,40	SNA	1
8-12	DC97-15696E	3	W0615	DD65-00001F	CLAMPER HOSE; HSWR,D10.5/T1.2	SNA	1
9	DC90-04385A	2	W0607	DC96-01703B	ASSY SENSOR PRESSURE; PURPLE PJT,PURPLE P	SA	1

No.	Parent	Lvl.	Loc.	Material Code	Description & Specification	SNA	Qty.
10	DC90-04382A	2		DC61-10673B	CAP DRAIN; SEPM MODEL,PP,-,-,-,NTR	SA	1
11	DC90-08348A	2	W0081	DC96-00146A	ASSY POWER CORD; UCP2,250V/16A,-,1500/EUR	SA	1
12	DC90-04382A	2	W0606	DC97-00920C	ASSY LEG; SEW-HW108,-,-,-,-	SA	4
13	DC90-04382A	2	W0604	DC97-02250Q	ASSY HOSE DRAIN(O); HEBA,WF8802DP,-,-,-,-	SA	1
13-1	DC97-02250Q	3	G0416	DC67-00330B	HOSE-PUMP; WF8802DPF,PP,ID20.6,OD27,-,L18	SNA	1
14	DC90-04382A	2	G0417	DC97-14642G	ASSY PLATE BOTTOM; SEPM,SEPM MODEL,PP	SNA	1
14-2	DC97-14642G	3	W0462	DC61-01938A	COVER-BOTTOM; HEBA-PJT,GI,T0.5,AEGIS-6Kg,	SNA	1
15	DC90-04385A	2	W0080	DC93-00185A	ASSY M.GUIDE WIRE HARNESS; SCOUT,J145W/HA	SA	1
15-1	DC93-00185A	3	W0079	DC93-00183A	ASSY M. WIRE HARNESS; SCOUT,J145W/HAC,220	SNA	1
16	DC90-04385A	2	W0470	DC92-00315E	ASSY PCB MAIN; SCOUT,WF0704W7V,7KG,230V/5	SNA	1
17	DC90-04385A	2		DC63-01040A	COVER-PCB(M); WF9904RWE/XEU,ABS,T2.5,W196	SNA	1
18	DC90-04385A	2	W0643	DC26-00009D	TRANS-REACTORV; SEW-3HR105,220V-240V,3A,2	SA	1
19	DC90-08348A	2	W0105	6002-001306	SCREW-TAPPING; TH,+,1,M4,L14,ZPC(WHT),SWR	SA	4
20	DC90-04382A	2	G0415	DC61-00274A	GUIDE-HOSE; P/PV/M,PP,-,-,-,WHT,FRAME/DRA	SA	1

1.2. AssyTub & Drum

Exploded View



Parts List

No.	Parent	Lvl.	Loc.	Material Code	Description & Specification	SNA	Qty.
0	WF0702W7W/XEC	1	W0502	DC90-04386A	ASSY TUB & DRUM; SCOUT,WF0704W7V/XST	SNA	1
1	DC90-04386A	2	W0105	6002-000473	SCREW-TAPPING; TH,+,NO,1,M4,L14,PASS,STS3	SA	2
2	DC90-04386A	2	W0636	6011-001627	BOLT-ETC; M6,L56,MFZn,SCM435,P1.0/HEX/WSP	SA	6
3	DC90-04386A	2	M0487	DC32-00010A	THERMISTOR; -,11982OHM AT 25,-,55~155	SA	1
4	DC90-04386A	2	W0230	DC61-02664A	BRACKET-HEATER; HEBA,STAINLESS-ST5430,T0.	SA	1
5	DC90-04386A	2	W0234	DC64-01602A	DOOR-DIAPHRAGM; HEBA-PJT,EPDM,T2.0,-,-,-,	SA	1
6	DC90-04386A	2	W0744	DC65-00021A	CLAMPER HOSE-JOINT; HEBA PJT,HSWR,-,ID74/	SA	1
7	DC90-04386A	2	W0618	DC66-00531C	DAMPER-SHOCK; HEBA,STEEL+PP+RUBBER,80N,W2	SA	2

No.	Parent	Lvl.	Loc.	Material Code	Description & Specification	SNA	Qty.
8	DC90-04386A	2	M0028	DC69-00824A	PACKING-THERMISTOR; GW-PJT,EPDM,EPDM,-,W1	SA	1
9	DC90-04386A	2	W0640	DC96-01218E	ASSY DD BLDC MOTOR; DON800,25MM/AL WIRE/0	SA	1
9-1	DC96-01218E	3	G0419	DC31-00074B	MOTOR BLDC-ASSY STATOR; DON800,0~1400,-,F	SNA	1
9-2	DC96-01218E	3		DC31-00075E	MOTOR BLDC-ASSY ROTOR; DON800,0~1400,-,Fr	SNA	1
9-3	DC96-01218E	3		DC31-00076A	MOTOR BLDC-ASSY HALL SENSOR; DON1300,0~12	SNA	1
10	DC90-04386A	2	W0601	DC97-06080A	ASSY BOLT; SEW-3HR107,BOLT+WASHER,-,-,-	SA	1
11	DC90-04386A	2	W0601	DC97-14263A	ASSY BOLT; HEBA-PJT,MOTOR/BOLT(M8)+WASHER	SA	8
12	DC90-04386A	2	W0165	DC97-14373E	ASSY DRUM; HEBA PJT,-,7kg,1200RPM,-,-	SA	1
12-1	DC97-14373E	3	G0049	DC60-40137A	BOLT-HEX; MARS-PJT,STS430,M8,P1.25,L30,HE	SA	3
12-2	DC97-15006A	3	W0105	6002-001435	SCREW-TAPPING; TH,+,2,M4,L12,PASS,STS430	SNA	2
12-3	DC97-14373E	3	W0748	DC66-00489B	DRUM-FRONT; HEBA PJT(8kg),STS430,ID310.7,	SNA	1
12-4	DC97-14373E	3		DC66-00501A	DRUM-WRAPPER; HEBA PJT/7.0kg,STS430,ID492	SNA	1
12-5	DC97-14373E	3	W0747	DC66-00492A	DRUM-BACK; HEBA PJT,STS430,ID487.6,OD509,	SNA	1
12-6	DC97-14373E	3	W0619	DC66-00493A	DRUM-LIFTER; HEBA PJT,PP-TI42,L247.5,NTR,	SNA	3
12-7	DC97-14373E	3	W0164	DC97-14370B	ASSY FLANGE SHAFT; HEBA PJT,-,-,1200RPM,-	SA	1
13	DC90-04386A	2	M0038	DC97-14618A	ASSY CLAMP DIAPHRAGM; WF8804DP,OD2.0/L243	SA	1
14	DC90-04386A	2	W0605	DC97-14637C	ASSY HOSE PRESSURE; HEBA-COMBO,WD8704DJF,	SA	1
14-1	DC97-14637C	3	M0005	DC61-70029C	SPRING-CLIP; SEW-HW125,HSWR,CD1.2,ID8.3,O	SA	1
14-2	DC97-14637C	3	G0054	DC63-10003C	ABSORBER SPONGE; SWF-P12,PU-FOAM,GRY	SNA	1
14-3	DC97-14637C	3	W0610	DC65-60125B	CLIP-RING; HSWR,T2.4,PI25,YEL	SNA	1
14-4	DC97-14637C	3	W0725	DC67-00230E	HOSE-WATER; WD8704,TPE,ID4.5,OD8.0,T1.75,	SNA	1
14-5	DC97-14637C	3	W0625	DC67-00293A	HOSE-FILTER TUB; HEBA-PJT,EPDM,-,-,T2.5,-	SNA	1
14-6	DC97-14637C	3		DC67-00297A	HOSE-JOINT AIR; HEBA & Aegis-PJT,PP,ID22,OD	SNA	1
14-7	DC97-14637C	3	W0610	DC72-00001H	CLIP-RING; HEBA-PJT,HSWR,PI3.0,ID35,WHT,H	SNA	1

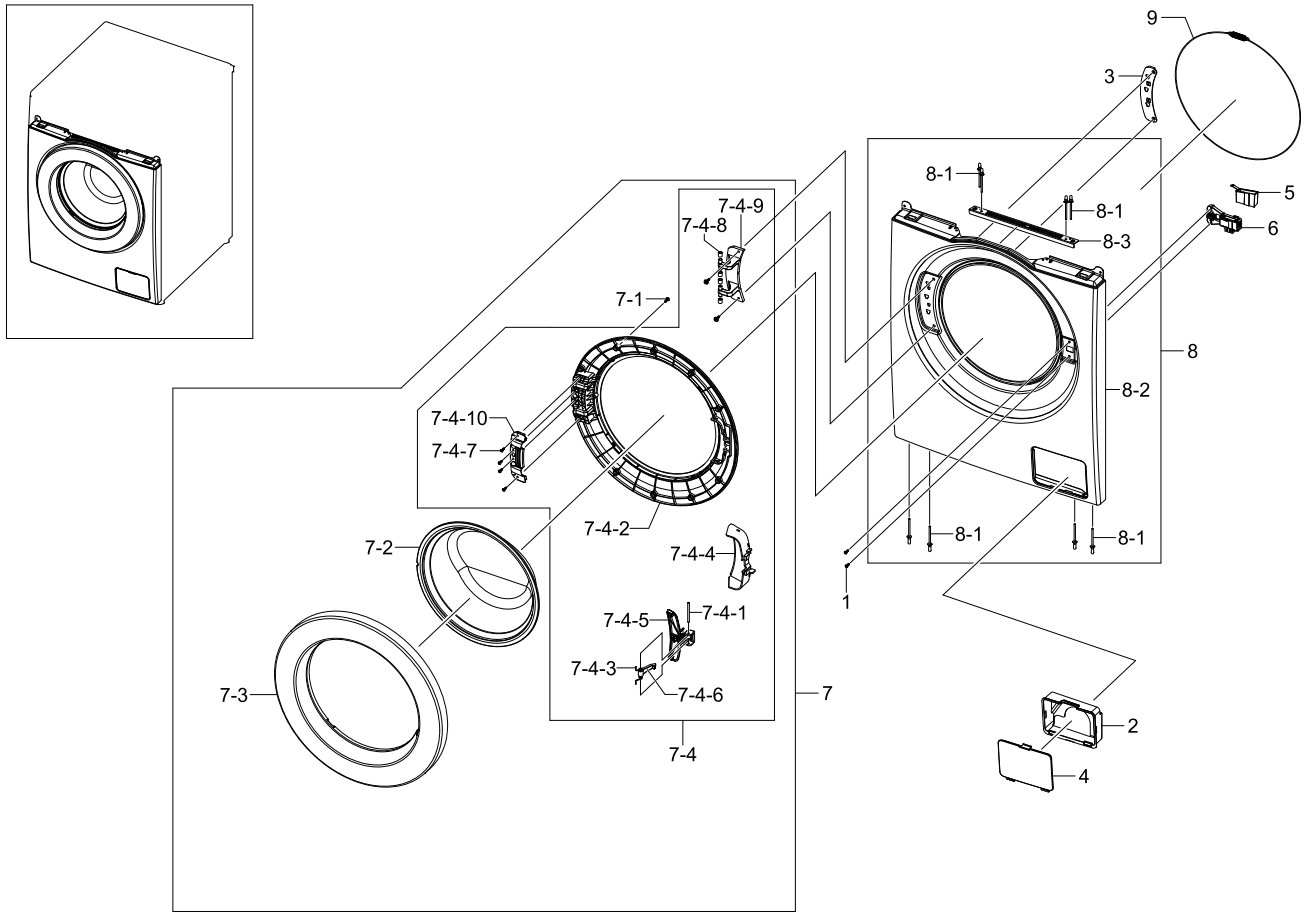
Exploded Views and Parts List

No.	Parent	Lvl.	Loc.	Material Code	Description & Specification	SNA	Qty.
15	DC90-04386A	2	G0420	DC97-14827G	ASSY HEATER; SEPM,230V/ 2000W,CERAMIC/ NT	SNA	1
15-1	DC97-14827G	3	W0110	6031-001531	WASHER-PLAIN; SCP1,ID7,OD14,T1.2,ZPC2(YEL	SA	1
15-2	DC97-14827G	3	W0235	DC63-00889C	COVER-HEATER; HEBA_120V,ABS+PC,T3.0,W160.	SA	1
15-3	DC97-14827G	3	W0237	DC47-00033A	HEATER-WASH; HEBA,SUS316L+CERAMIC COATING	SA	1
16	DC90-04386A	2	W0501	DC97-15518C	ASSY TUB BACK; GRIFFIN-PJT,WF9904RWE,9kg,	SA	1
16-1	DC97-15518C	3	W0148	DC62-00008A	SEAL-OIL; NBR,BLK,NBU(PI15)	SA	1
16-2	DC97-15518C	3	W0740	DC69-01154A	PACKING-TUB; WF8804DP,EPDM,EPDM,T5.0,-,L1	SA	1
16-3	DC97-15518C	3	G0029	DC97-15517B	ASSY SEMI TUB BACK; GRIFFIN-PJT,WF9904RWE	SNA	1
17	DC90-04386A	2		DC67-00629A	WEIGHT-BALANCE(R); HEBA/SCOUT/GRIFFIN,CON	SNA	1
18	DC90-04386A	2	G0421	DC97-15993A	ASSY HOSE-CIRCULATION; SCOUT,WF0804Y8E,EP	SA	1
18-1	DC97-15993A	3	G0415	DC61-02646A	GUIDE-HOSE; WF0804Y8E,PP,T2.0,W10.0,L36.6	SNA	2
18-2	DC97-15993A	3	G0055	DC67-00462A	HOSE-CONNECTOR; WF0804Y8E,PP,NTR,SCOUT-PJ	SNA	1
18-3	DC97-15993A	3	G0052	DC67-00471A	HOSE-CIRCULATION; WF0804Y8E,EPDM,ID9.0,OD	SNA	1
19	DC90-04386A	2		DC67-00628A	WEIGHT-BALANCE(L); HEBA,SCOUT,GRIFFIN,CON	SNA	1
20	DC97-16129B	3	W0632	DC61-01933C	TUB-FRONT; HEBA PJT,FRPP,ID528,OD575,NTR,	SA	1
21	DC90-04386A	2	W0641	DC63-01294A	COVER-MOTOR; SCOUT,EGI-SECC,T0.8,W75.1,L2	SA	1
22	DC90-04385A	2	G0049	6011-001644	BOLT-HEX; M10,L35,ZPC2(YEL),SM10C,DAMPER	SA	2
23	DC97-16129B	3	G0422	DC97-14873B	ASSY HOSE AIR; HEBA,WF8702,-,L150,OD25,BL	SA	1
23-1	DC97-14873B	4	W0437	DC67-00354A	HOSE-AIR; HEBA PJT,EPDM,-,-,T2.5,-,BLK,7k	SNA	1
23-2	DC97-14873B	4	W0615	DC61-00158A	CLAMPER HOSE; SW65ASP,SK5,ID23,T0.8/YEL	SA	1
23-3	DC97-14873B	4	F0100	DC65-60118J	CLIP-RING; HSWR,WHT,PI2.0/ID23	SA	1
24	DC97-16129B	3	G0043	DC97-14874C	ASSY HOSE DRAWER; HEBA BIGBANG,WF0800NCE,	SA	1
24-1	DC97-14874C	4	W0615	DC61-00219G	CLAMPER HOSE; HEBA BIGBANG,SK5,ID37/OD39/	SNA	1

No.	Parent	Lvl.	Loc.	Material Code	Description & Specification	SNA	Qty.
24-2	DC97-14874C	4	W0624	DC67-00422A	HOSE-DRAWER TUB; HEBA-PJT,EPDM,ID42.5,OD4	SA	1
24-3	DC97-14874C	4	W0610	DC72-00001G	CLIP-RING; HEBA-PJT,HSWR,T2.4,ID49.5,W21.	SA	1

1.3. Assy Frame Front

Exploded View



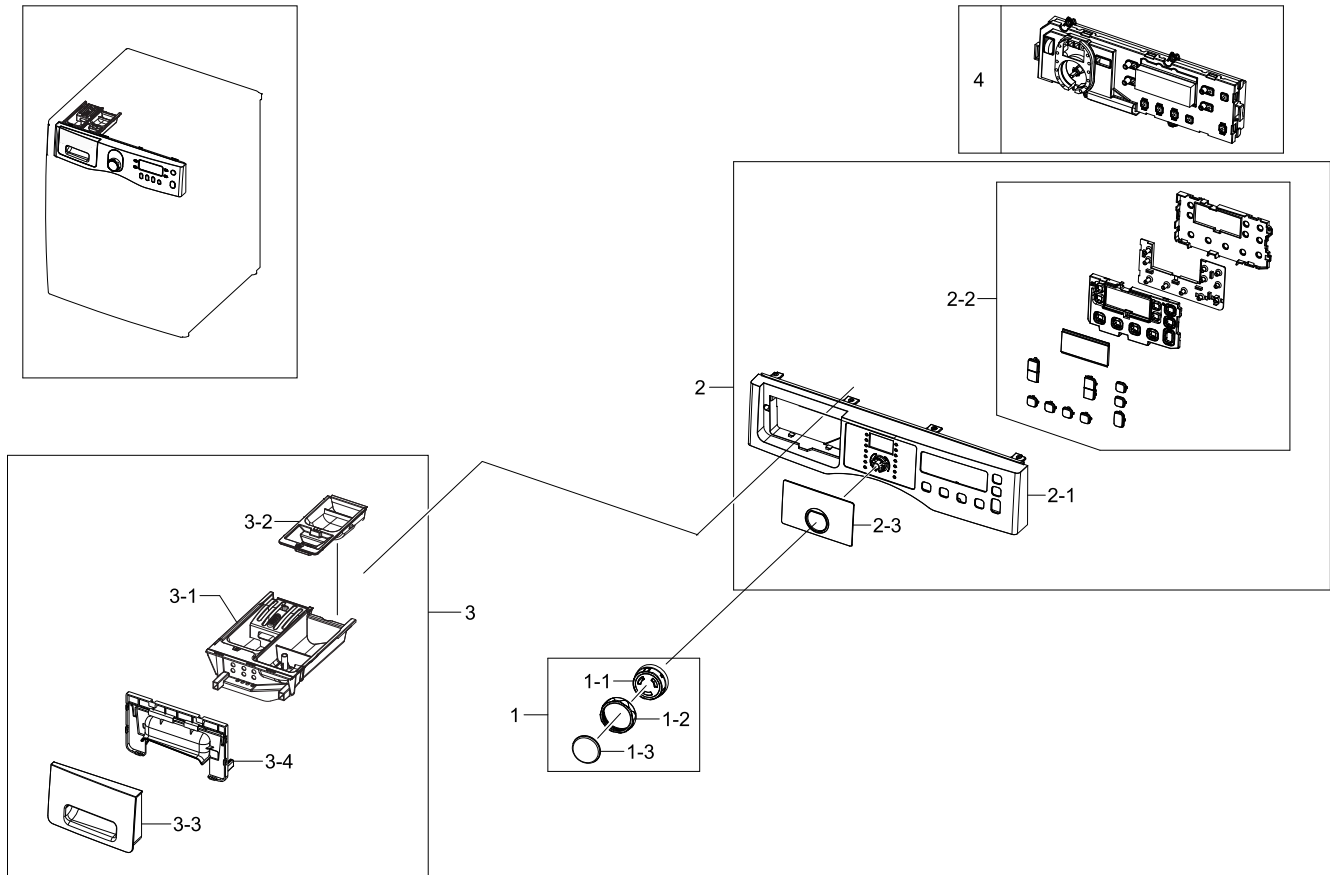
Parts List

No.	Parent	Lvl.	Loc.	Material Code	Description & Specification	SNA	Qty.
1	DC90-08348A	2	W0105	6002-001306	SCREW-TAPPING; TH,+,1,M4,L14,ZPC(WHT),SWR	SA	4
2	DC97-15006A	3	W0228	DC61-01917A	GUIDE-FILTER; WF8804DP,HIPS,T2.5,W300,L20	SA	1
3	DC97-15006A	3	W0226	DC61-01919A	BRACKET-HINGE; WF8804DP,GI,T1.4,W30,L150,	SA	1
4	DC97-15006A	3	W0516	DC63-00854A	COVER-FILTER; WF8804DP,ABS,T2.0,W300,L200	SA	1
5	DC97-15006A	3	W0435	DC63-00967A	COVER-DOOR SWITCH; AEGIS-PJT/ WF8500NHW,P	SA	1
6	DC97-15006A	3	W0225	DC64-01538A	DOOR-LOCK S/W; ZV-446L5,PA66,T19.5,W95,BL	SA	1
7	DC97-15006A	3	W0459	DC97-15005A	ASSY DOOR; -,J1488/HAC,-,-,-,WHT	SA	1
7-1	DC97-15005A	4	W0105	6002-000444	SCREW-TAPPING; TH,+,2,M4,L14,PASS,STS430	SA	12

No.	Parent	Lvl.	Loc.	Material Code	Description & Specification	SNA	Qty.
7-2	DC97-15005A	4	W0448	DC64-01521A	DOOR-GLASS; WF8804DP, NON-HeatTreatment GL	SA	1
7-3	DC97-15005A	4	W0440	DC63-00856A	COVER-DOOR; WF8804DP, ABS, T3.0, W480, L480, -	SA	1
7-4	DC97-15005A	4	W0454	DC97-15375B	ASSY HOLDER GLASS; HEBA, ALL, PP, T3.0, 480*4	SNA	1
7-4-1	DC97-15375B	5	G0426	6043-001093	PIN-PARALLEL(KEY); A, OD3, L40, PASS, STS204	SA	1
7-4-2	DC97-15375B	5	G0427	DC61-01909A	HOLDER GLASS; WF8804DP, PP, T3.0, W480, L480,	SA	1
7-4-3	DC97-15375B	5	W0142	DC61-02027A	SPRING ETC-LEVER; STAINLESS-ST304, CD1.2,	SA	1
7-4-4	DC97-15375B	5	W0173	DC63-00853C	COVER-HANDLE; WF8804LSW, HIPS, T2.5, W60, WHI	SNA	1
7-4-5	DC97-15375B	5	W0447	DC64-01524B	HANDLE-DOOR; WF8804LSW, ABS, T2.5, W25, L125,	SA	1
7-4-6	DC97-15375B	5	W0474	DC66-00497A	LEVER-DOOR; WF8804DP, ZNDC, T10, W10, L35, -,-	SA	1
7-4-7	DC97-15005A	4	W0105	6002-001306	SCREW-TAPPING; TH, +, 1, M4, L14, ZPC(WHT), SWR	SA	3
7-4-8	DC97-15005A	4	W0220	DC61-00891A	GUIDE-HINGE; HAUZEN(DOM), POM, -,-,-, WHT, HI	SA	4
7-4-9	DC97-15005A	4	W0219	DC61-01910A	HINGE-DOOR; WF8804DP, ALDC, T5.0, W30, L150, Z	SA	1
7-4-10	DC97-15005A	4	W0754	DC61-01915B	BRACKET-HOLDER; WF8804DP, GI, T1.2, W45, L160	SA	1
8	DC90-08348A	2	W0253	DC97-15006A	ASSY FRAME FRONT; -, J1488/HAC, DA WHITE DO	SNA	1
8-1	DC97-16911A	4		6041-001035	RIVET-RH; K1661-0512, AL(A5052), OD3.9, L11,	SNA	4
8-2	DC97-16911A	4	W0249	DC61-01916A	FRAME-FRONT; WF8804DP, EGI-SECC, WHT, T0.8, W	SNA	1
8-3	DC97-16911A	4	G0429	DC61-01981A	BRACKET-FRAME; WF8804DP, GI, T0.8, W20, L310,	SNA	1
9	DC90-08348A	2	W0608	DC91-12078D	ASSY WIRE DIAPHRAGM; HEBA-PJT, -,-,-,-,-	SA	1

1.4. Panel Control&Drawer

Exploded View



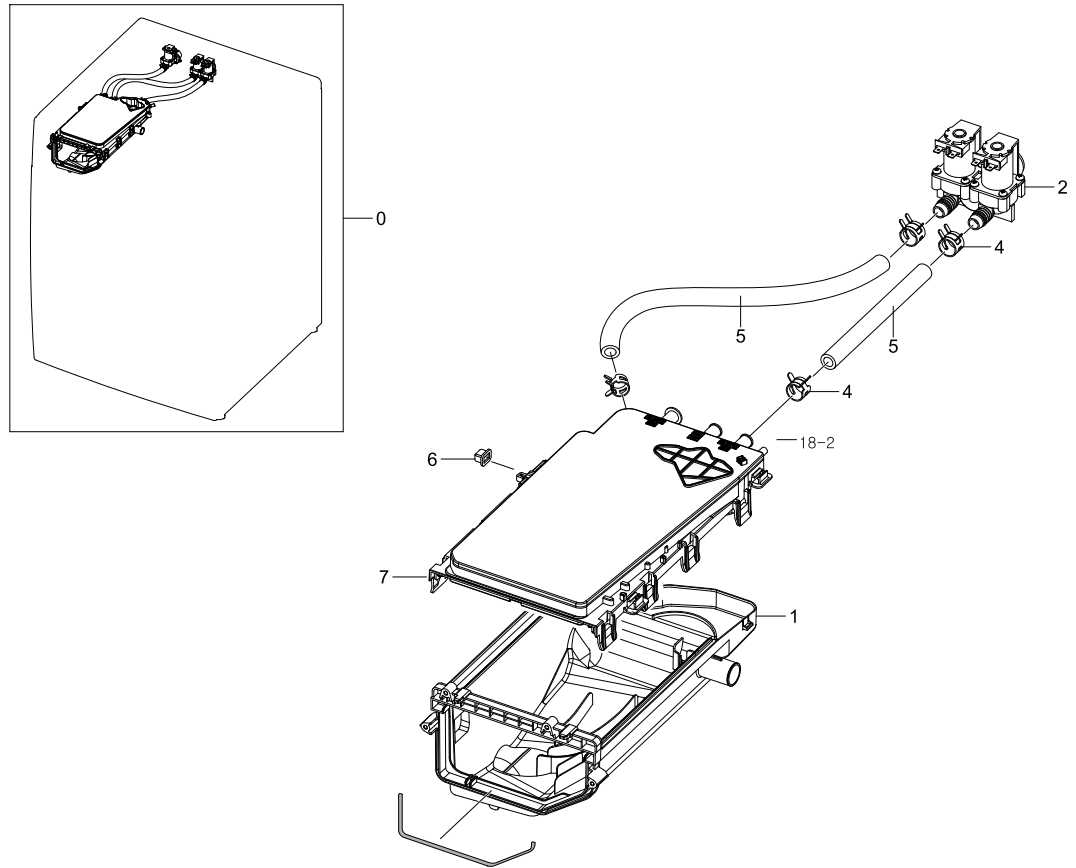
Parts List

No.	Parent	Lvl.	Loc.	Material Code	Description & Specification	SNA	Qty.
1	DC90-08348A	2	W0475	DC97-15723B	ASSY KNOB ENCODER; GRIFFIN-PJT,WF9904RWE,	SA	1
1-1	DC97-15723B	3	W0193	DC64-01927A	KNOB-ENCODER; WF9904RWE/XEU,ABS,T2.5,W49.	SNA	1
1-2	DC97-15723B	3	G0056	DC97-16503A	ASSY DECO ENCODER; GRIFFIN,WF9904RWE,43.6	SNA	1
1-3	DC97-15723B	3	W0456	DC64-01931A	DECORATION-ENCODER; WF9904RWE/XEU,ABS,T2.	SNA	1
2	DC90-08348A	2	W0478	DC97-16875G	ASSY PANEL CONTROL; SCOUT,WF0702W7W/XEC,B	SA	1
2-1	DC97-16875G	3	W0181	DC64-02165A	PANEL-CONTROL; WF0804Y8E,ABS,T2.5,W143.8,	SNA	1
2-2	DC97-16875G	3	G0431	DC97-16475V	ASSY BUTTON; SCOUT COMBO,WF0702W7W1/XEC,7	SNA	1
2-3	DC97-16875G	3	G0443	DC64-02717E	WINDOW-ENCODER; PC,T0.5,W155.8,L95.3,SPAN	SNA	1
3	DC90-08348A	2	W0216	DC97-16021A	ASSY DRAWER; SCOUT,WF0804Y8E	SA	1

No.	Parent	Lvl.	Loc.	Material Code	Description & Specification	SNA	Qty.
3-1	DC97-16021A	3	W0156	DC61-02580A	BODY-DRAWER; WF0800NCE,PP,T2.0,L265,W154,	SNA	1
3-2	DC97-16021A	3	W0215	DC67-00452A	CAP-RINSE; WF0800NCE,PP,T2.0,W66.5,L219,E	SA	1
3-3	DC97-16021A	3	W0112	DC64-02173A	PANEL-DRAWER; WF0804Y8E,ABS,T2.5,W183.4,L	SA	1
3-4	DC97-16021A	3	W0218	DC64-01527F	HANDLE-DRAWER; HEBA-PJT,HIPS,T2.0,WHT	SNA	1
4	DC90-08348A	2	W0469	DC92-00353H	ASSY PCB SUB; WF0702W7W1/XEC,Y,SMPS	SNA	1

1.5. Assy Housing Drawer

Exploded View






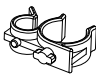


Parts List

No.	Parent	Lvl.	Loc.	Material Code	Description & Specification	SNA	Qty.
0	DC90-04385A	2	W0163	DC97-16005C	ASSY HOUSING DRAWER; SCOUT,WF0804Y8E,COLD	SA	1
1	DC97-16005C	3	G0414	DC61-02434A	HOUSING-DRAWER L; HEBA-PJT,PP,T1.8,NTR	SA	1
2	DC97-16005C	3	W0078	DC62-00024M	VALVE-WATER; V7-PJT,NYLON,2WAY,MAX 10BAR,	SA	1
4	DC97-15993A	3	W0615	DC65-00008A	CLAMPER HOSE; SEW-DR605,SK5,-,-,YEL,ID14.	SA	2

No.	Parent	Lvl.	Loc.	Material Code	Description & Specification	SNA	Qty.
5	DC97-16005C	3	W0151	DC67-00051B	HOSE-DRAWER; Q1636GW/XEU,EPDM,ID9.0,OD14.	SA	0
6	DC97-16005C	3		DC67-00327A	CAP-DRAWER HOOK; HEBA-PJT,EPDM,T1.1,W13.9	SNA	1
7	DC97-16005C	3	W0497	DC97-16006A	ASSY S.HOUSING DRAWER; SCOUT,WF0804Y8E,PP	SA	1
18-2	DC96-01218E	3	G0419	DC31-00074B	MOTOR BLDC-ASSY STATOR; DON800,0~1400,-,F	SNA	1

1.6. Small Parts

Exploded View

					
1	2	3	4	5	6

Parts List

No.	Parent	Lvl.	Loc.	Material Code	Description & Specification	SNA	Qty.
1	DC90-04382A	2	W0623	DC61-02879A	HOLDER-WIRE; WF8804CPA,PA,L58.6,NATURAL	SA	1
2	DC90-04382A	2	W0623	DC61-40081A	HOLDER-WIRE; DAWH-2NC,PA,NTR(PI19.4)	SA	7
3	DC90-04382A	2	W0623	DC61-00995C	HOLDER-WIRE; HEBA-PJT,Others,ID26,W6,L145	SA	1
4	DC90-04382A	2	W0616	DC61-00133A	CLAMPER HOSE-FIX; P1291,PP,ID24.5,OD29.5,	SA	1
5	DC90-04382A	2	W0616	DC61-00118A	CLAMPER HOSE-FIX; P1291,NYLON66,ID27,OD30	SA	1
6	DC90-04382A	2	W0623	DC61-60074A	HOLDER-WIRE; PA,NTR,NYLON#66(DAWS-6NB)	SA	5