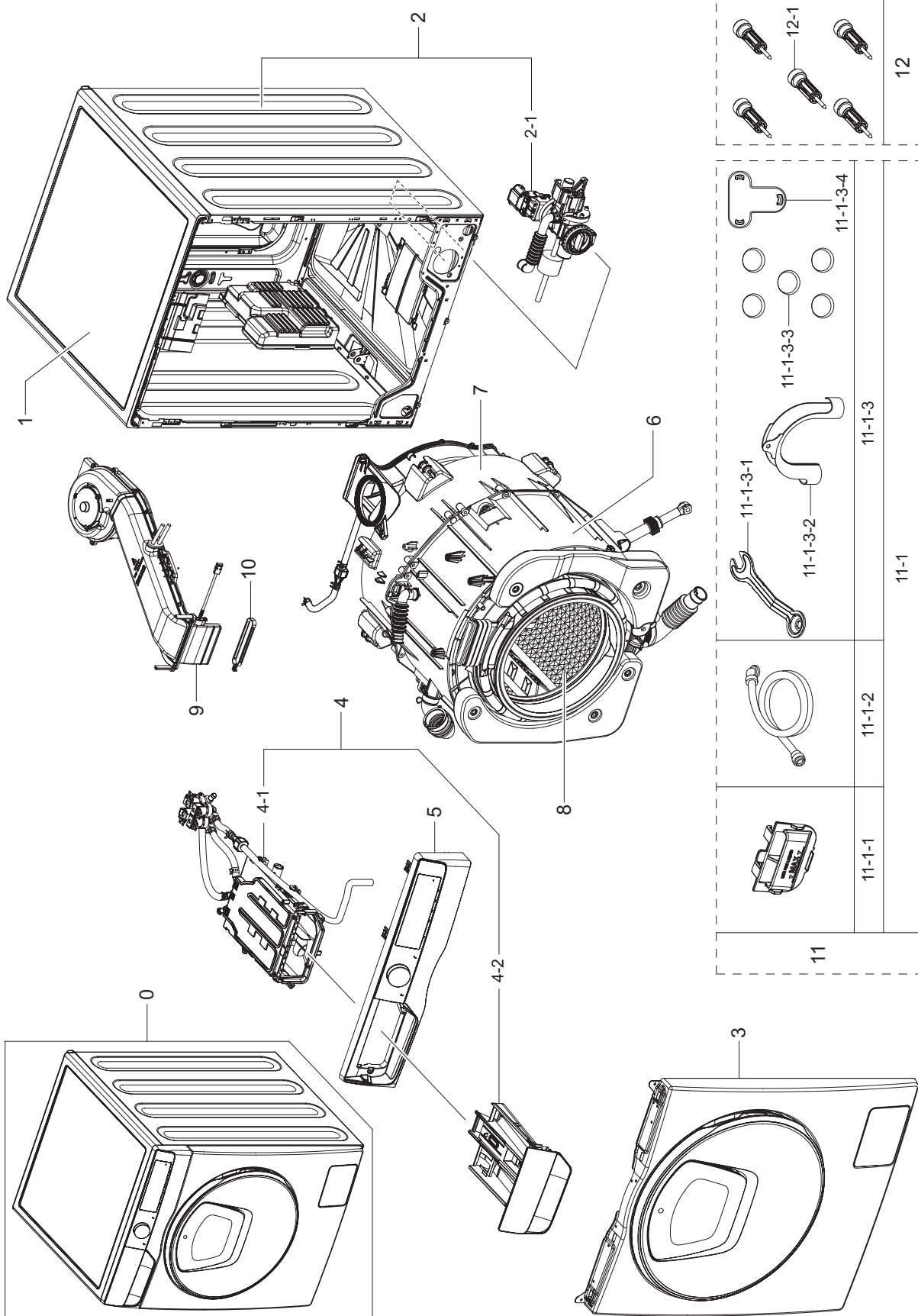


1. MAIN (WD90T654DBE/S3)

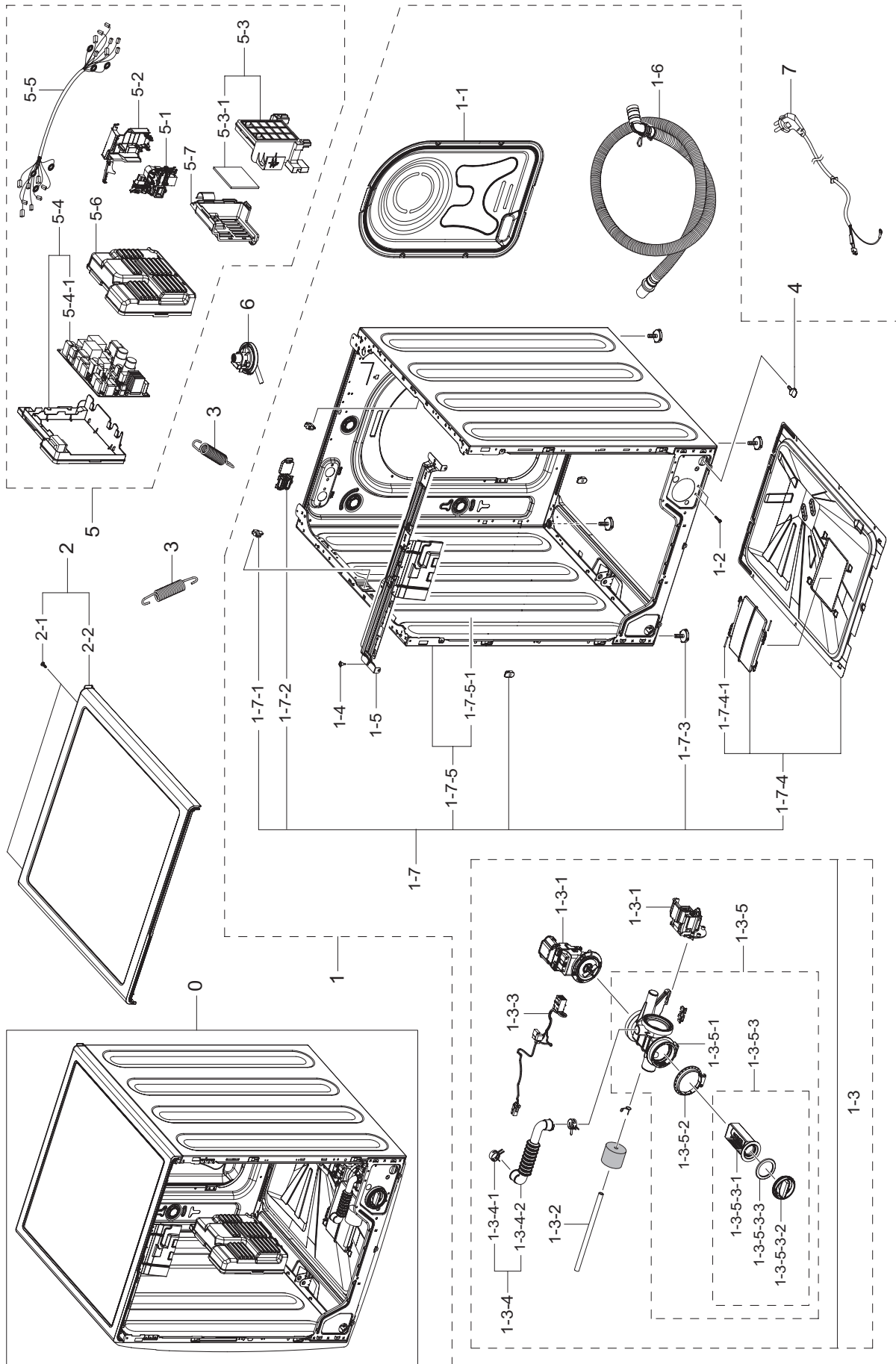


MODEL CODE (WD90T654DBE/S3)

Service Bom (SA: SERVICE AVAILABLE, SNA: SERVICE NOT AVAILABLE)

Drawing No.	Code No.	Description	Specification	QTY	Un	SA/SNA
0	WD90T654DBE/S3	ASSY-WASHING MACHINE				
1	DC90-28603D	ASSY COVER TOP PARTS	WD90T654DBH/S1	1	PC	SNA
2	DC90-28603C	ASSY FRAME PARTS	WD90T654DBH/S1	1	PC	SNA
2-1	DC97-15696R	ASSY PUMP DRAIN	WW6000T,WD90T654DBH/S1,2	1	PC	SNA
3	DC90-28603L	ASSY FRONT PARTS	WD90T654DBH/S1	1	PC	SNA
4	DC90-28603E	ASSY DRAWER PARTS	WD90T654DBH/S1	1	PC	SNA
4-1	DC97-22247B	ASSY HOUSING DRAWER-MODULE	U-PJT,HEBA 63	1	PC	SNA
4-2	DC97-22250B	ASSY DRAWER-MODULE	U-PJT,WW6000T,DA WHITE	1	PC	SNA
5	DC90-28637G	ASSY PANEL CONTROL PARTS	WD92T654CBE/S4	1	PC	SNA
6	DC90-28603K	ASSY TUB FRONT PARTS	WD90T654DBH/S1	1	PC	SNA
7	DC90-28603G	ASSY TUB BACK PARTS	WD90T654DBH/S1	1	PC	SNA
8	DC90-28603H	ASSY DRUM PARTS	WD90T654DBH/S1	1	PC	SNA
9	DC93-00341C	ASSY DUCT SCROLL	WD7000J,9KG,220V	1	PC	SA
10	DC66-00782A	JOINT DIAPHRAGM	EGI-SECC,T1.0	1	PC	SA
11	DC90-28603J	ASSY ACCESSORY PARTS	WD90T654DBH/S1	1	PC	SNA
11-1	DC98-04384A	ASSY ACCESSORY	U-PJT HEBA 63,WD90T654DBH	1	PC	SNA
11-1-1	DC61-03510A	GUIDE LIQUID	WF-F500E,PP+TD30%,MT43,Hone	1	PC	SA
11-1-2	DC97-16921A	ASSY HOSE WATER	WA5700J	1	PC	SC
11-1-3	DC98-04384B	ASSY ACCESSORY	U-PJT HEBA 63,WD90T654DBH	1	PC	SNA
11-1-3-1	DC60-00104A	FASTENER-BOLT	ALL,CR-SPCC,2.0,L113.5	1	PC	SA
11-1-3-2	DC62-10278A	HOSE HANGER	PUMP MODEL,PP,ID27,T1.5,HS95	1	PC	SA
11-1-3-3	DC67-00307A	CAP-FIXER	WF438AAC/XAA,PP,T1.5,COPO,BLAC	5	PC	SA
11-1-3-4	DC67-00208B	CAP-FIXER	WF8602NHS/XFA,PP,T1.5,COPO,BLA	1	PC	SA
12	DC97-14794C	ASSY FIXER TUB	SCOUT,WF0704L7W/XEF	5	PC	SA
12-1	DC60-60044B	WASHER PLAIN	WW65R20GLSW/TL,SWRCH18A,T2	5	PC	SA

2. ASSY FRAME & COVER PARTS (WD90T654DBE/S3)



MODEL CODE (WD90T654DBE/S3)

Service Bom (SA: SERVICE AVAILABLE, SNA: SERVICE NOT AVAILABLE)

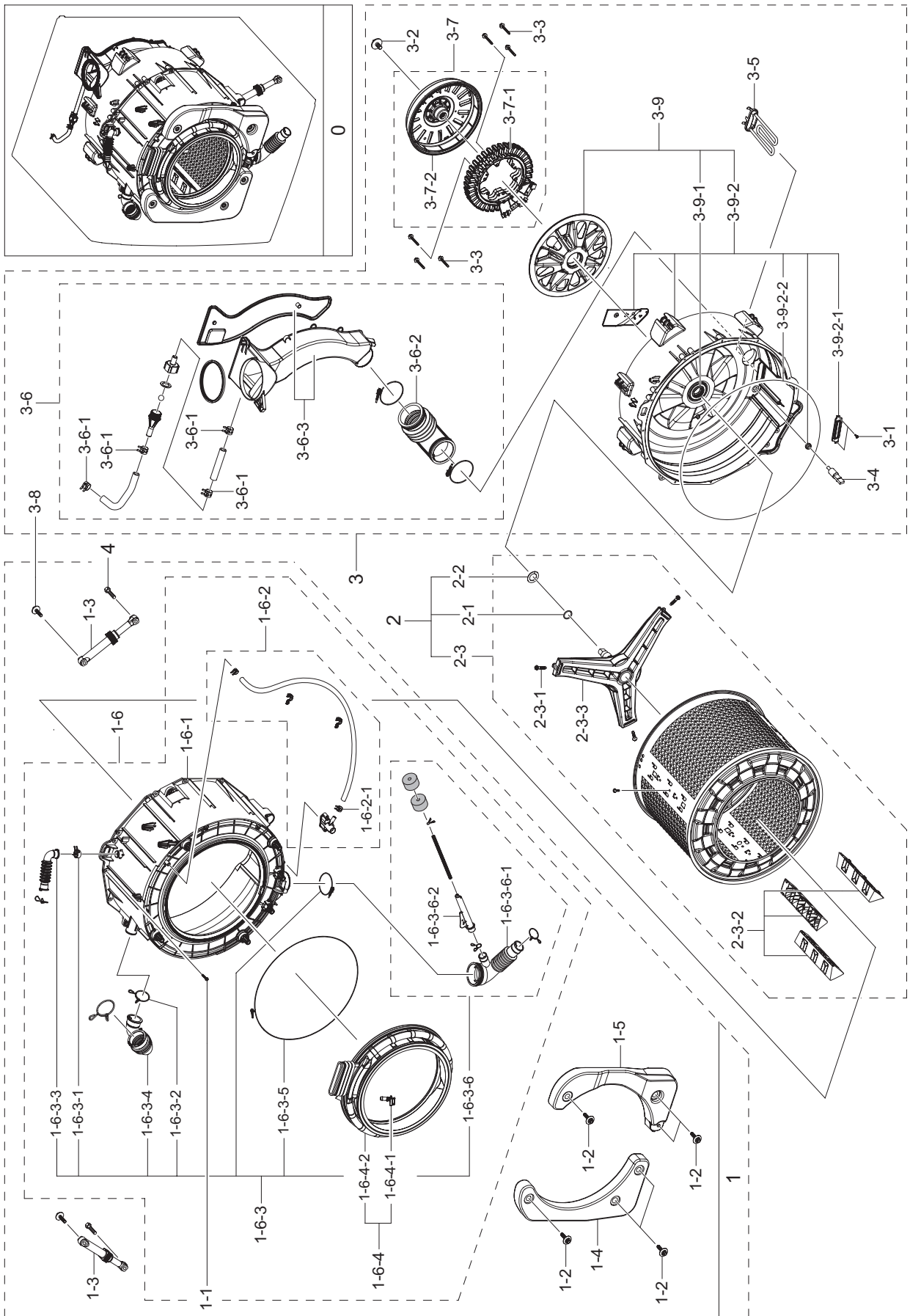
Drawing No.	Code No.	Description	Specification	QTY	Un	SA/SNA
0		ASSY FRAME & INNER PARTS				
1	DC90-28603C	ASSY FRAME PARTS	WD90T654DBH/S1	1	PC	SNA
1-1	DC63-00862C	COVER BACK	WF8600NMW,GI-SGCC,T0.35,W352,	1	PC	SA
1-2	DC97-14006C	ASSY SCREW	GRIFFIN-PJT,WF9904RWE,SWRCH18	2	PC	SNA
1-3	DC97-15696R	ASSY PUMP DRAIN	WW6000T,WD90T654DBH/S1,2	1	PC	SNA
1-3-1	DC31-00181A	MOTOR AC PUMP	Drum&Auto,B15-6A/S3019/S30	2	PC	SA
1-3-2	DC67-00244C	HOSE DRAIN	WF0804Y8E,EPDM,ID6,OD11,T2.5,	1	PC	SA
1-3-3	DC96-01567C	ASSY WIRE HARNESS	AEGIS 3- PJT,WF0702WKN	1	PC	SA
1-3-4	DC97-19905A	ASSY HOSE PUMP	DRUM	1	PC	SA
1-3-4-1	DC61-00158A	CLAMPER HOSE	SW65ASP,SK5,ID23,T0.8,-,-,-	2	PC	SA
1-3-4-2	DC67-00461A	HOSE AIR TUB	SCOUT- PJT,EPDM,T1.5,BLACK	1	PC	SA
1-3-5	DC97-19914A	ASSY CASE FILTER	BUBBLE	1	PC	SA
1-3-5-1	DC61-02271B	CASE PUMP	WF0804Y8E/ XEF,PP+TD30%,T2.5,W1	1	PC	SA
1-3-5-2	DC69-01128A	PACKING-PUMP	WF8804DP,IIR,BUTYL,T2.5,HEB	1	PC	SA
1-3-5-3	DC97-15695C	ASSY FILTER	Heba,WF9904CWN1	1	PC	SA
1-3-5-3-1	DC63-00998A	FILTER PUMP	SCOUT-PJT,PP+TD30%,W52.8,L93	1	PC	SA
1-3-5-3-2	DC64-02783A	HANDLE FILTER	WF350ANW/XAA,PP+(GF+KD)30%	1	PC	SA
1-3-5-3-3	DC73-00022A	SEAL PACKING	SEW-HVR149ATA,EPDM,BLACK	1	PC	SA
1-4	DC97-15858A	ASSY SCREW	trumph-PJT,WF-F1061/YLP,SWRCH	2	PC	SNA
1-5	DC97-22408A	ASSY FRAME PLATE-UP	WD5000T,T1.4,HEBA	1	PC	SA
1-6	DC97-20913A	ASSY HOSE DRAIN(O)	WW7800M 1600RPM,WW90M	1	PC	SA
1-7	DC97-22333A	ASSY FRAME-MODULE	WW6000T,-WD90T654DBH/S	1	PC	SA
1-7-1	DC61-02065A	GUIDE SPRING	WF448AAG/XXA,POM,T4,W24,L36	2	PC	SA
1-7-2	DC63-02181B	COVER CONNECTOR	PP,T2,HB,BLACK,RECYCLE P	1	PC	SA
1-7-3	DC97-00920W	ASSY LEG	WW6000T,WD90T654DBH/ S1,48.5,M10	4	PC	SA
1-7-4	DC97-17247A	ASSY COVER BOTTOM	SEINE COMBO,WD906U4SAG	1	PC	SA
1-7-4-1	DC64-00564A	HANDLE PIN	WF602U2BKWQ/SC,STS304	2	PC	SA
1-7-5	DC97-17253K	ASSY FRAME	WW6000T,WD90T654DBH/S1,GA-SGC	1	PC	SNA
1-7-5-1	DC61-03419F	FRAME	WD90T654DBH/S1,GA-SGCC,T0.7	1	PC	SNA
2	DC90-28603D	ASSY COVER TOP PARTS	WD90T654DBH/S1	1	PC	SNA
2-1	6002-001438	SCREW-TAPPING	HWH,+ ,NO,1,M5,L12,ZPC(WHT)	2	PC	SNA
2-2	DC97-18679N	ASSY COVER TOP-MODULE	WD7000T(HEBA-63),D	1	PC	SA

MODEL CODE (WD90T654DBE/S3)

Service Bom (SA: SERVICE AVAILABLE, SNA: SERVICE NOT AVAILABLE)

Drawing No.	Code No.	Description	Specification	QTY	Un	SA/SNA
3	DC61-02029B	SPRING ETC-HANGER MODULE	HEBA 7kg,HSWR,3	2	PC	SA
4	DC61-10673C	CAP DRAIN	WF1802XEY/XSC,PP,BLACK	1	PC	SA
5	DC92-02705A	ASSY COVER PCB W/ HARNESS	U-PJT HEBA 63,W	1	PC	SNA
5-1	DC34-00028B	SWITCH DOOR LOCK	AC250V,16A,SOLENOID, DO	1	PC	SA
5-2	DC63-02602A	COVER DOOR SWITCH	WW6000,PP,T2.5,5VA,NAT	1	PC	SA
5-3	DC92-02665A	ASSY PCB KIT	FWM_INV,COMBO MODULE,121x80	1	PC	SA
5-3-1	DC92-02664A	ASSY PCB MAIN	FWM_INV,COMBO MODULE,121x8	1	PC	SNA
5-4	DC92-02701A	ASSY HOLDER PCB	WW5000T,WD6500T,DC92-026	1	PC	SA
5-4-1	DC94-10835A	ASSY PCB EEPROM	5049,WD6500T,Micom_D3+22	1	PC	SNA
5-5	DC93-00894A	ASSY WIRE HARNESS-MAIN	DRUM-M,WD90T754DB	1	PC	SA
5-6	DC63-02598A	COVER PBA	WW6000T(F500E-SSEC),ABS,T2.5,5	1	PC	SA
5-7	DC63-02624A	COVER PBA	WW6000T(24" DRUM COMBO PLATFOR	1	PC	SA
6	DC96-01703G	SENSOR PRESSURE	Air,5V,L0,400mmH2O	1	PC	SA
7	DC39-00067B	POWER CORD-AT	H05VV-F 3x1.0mm2,GRY,EU3F,	1	PC	SA

3. ASSY TUB & DRUM PARTS (WD90T654DBE/S3)



MODEL CODE (WD90T654DBE/S3)

Service Bom (SA: SERVICE AVAILABLE, SNA: SERVICE NOT AVAILABLE)

Drawing No.	Code No.	Description	Specification	QTY	Un	SA/ SNA
0		ASSY TUB & DRUM PARTS				
1	DC90-28603K	ASSY TUB FRONT PARTS	WD90T654DBH/S1	1	PC	SNA
1-1	6009-001367	BOLT-HEX	M6.5,L32,ZPC(WHT),HWH,+,SWRCH18	16	PC	SNA
1-2	6011-003934	BOLT-HEX	M7.6,L48,ZPC(WHT),SCM 435,WASHE	6	PC	SA
1-3	DC66-00343K	DAMPER SHOCK-MODULE	GE24"-PJT,PP,BLACK,1	2	PC	SA
1-4	DC97-16008B	ASSY WEIGHT BALANCER- RIGHT MODULE	WW6500	1	PC	SA
1-5	DC97-18524B	ASSY WEIGHT BALANCER- RIGHT MODULE	WW6500	1	PC	SA
1-6	DC97-18841G	ASSY TUB FRONT-MODULE	WD6000J	1	PC	SA
1-6-1	DC61-01932D	TUB FRONT	HEBA PJT,FRPP,NATURAL,8KG/AIR-	1	PC	SA
1-6-2	DC97-15993A	ASSY HOSE CIRCULATION	SCOUT,WF0804Y8E,EP	1	PC	SA
1-6-2-1	DC65-00008B	CLAMPER HOSE	SSEC-GE,SK5,Dacromet,T1.0	8	PC	SA
1-6-3	DC97-16478J	ASSY TUB FRONT	SEINE COMBO,WD856UHSASD	1	PC	SNA
1-6-3-1	DC61-00158A	CLAMPER HOSE	SW65ASP,SK5,ID23,T0.8,-,-,-	2	PC	SA
1-6-3-2	DC65-60118R	CLIP RING	AEGIS-PJT,HSWR-SWRH,T3.0,ID37	1	PC	SA
1-6-3-3	DC67-00298A	HOSE AIR	HEBA PJT,EPDM,T2.5,BLACK	1	PC	SA
1-6-3-4	DC67-00674A	HOSE DRAWER TUB	SEINE COMBO,EPDM,ID34.9,	1	PC	SA
1-6-3-5	DC91-12077G	ASSY CLAMP DIAPHRAGM	AEGIS,WF8500NHW/YLP	1	PC	SA
1-6-3-6	DC97-14637G	ASSY HOSE PRESSURE	SCOUT COMBO,WD0804W8N	1	PC	SA
1-6-3-6-1	DC67-00293A	HOSE FILTER TUB	HEBA-PJT,EPDM,T2.5,BLACK	1	PC	SA
1-6-3-6-2	DC67-00598A	HOSE JOINT AIR	WD0804W8N1/YAH,PP+TD30%,I	1	PC	SA
1-6-4	DC97-18884A	ASSY DIAPHRAGM	WD6000J	1	PC	SNA
1-6-4-1	DC62-00349A	NOZZLE DIAPHRAGM	WF457ARGSGR,PP+TD20%,OD	1	PC	SA
1-6-4-2	DC64-03235A	DOOR DIAPHRAGM	WD6000J,EPDM,T1.5,EPDM,LI	1	PC	SA
2	DC90-28603H	ASSY DRUM PARTS	WD90T654DBH/S1	1	PC	SNA
2-1	6044-001172	RING-OG	ID28,OD33,T2.5,BLK,NBR	1	PC	SNA
2-2	DC60-00069A	SPACER	WR-HA139WA,STS304	1	PC	SNA
2-3	DC97-22366A	ASSY DRUM-MODULE	HEBA63-C-WD6000T,1400RP	1	PC	SA
2-3-1	DC60-40137A	BOLT HEX	MARS-PJT,STS430,M8,P1.25,L30,HE	3	PC	SA
2-3-1	DC66-00493A	DRUM LIFTER	HEBA PJT,PP,L247.5,TI42,GRAY	3	PC	SA
2-3-3	DC97-14370H	ASSY FLANGE SHAFT	WD0804W8N1/YAH	1	PC	SC

MODEL CODE (WD90T654DBE/S3)

Service Bom (SA: SERVICE AVAILABLE, SNA: SERVICE NOT AVAILABLE)

Drawing No.	Code No.	Description	Specification	QTY	Un	SA/ SNA
3	DC90-28603G	ASSY TUB BACK PARTS	WD90T654DBH/S1	1	PC	SNA
3-1	6002-000445	SCREW-TAPPING	TH,+,NO,2,M4,L18,PASS,STS4	4	PC	SNA
3-2	6011-003728	BOLT-ETC	M12,L32,ZPC2,SWRCH10AK,WSP WASH	1	PC	SNA
3-3	6011-004528	BOLT-ETC	M6,L45,ZPC(WHT),HH,SOCKET,SCM43	6	PC	SA
3-4	DC32-00010C	THERMISTOR	WASHER,-10~100,5,5,3.243k ± 2	1	PC	SA
3-5	DC47-00033B	HEATER WASH	AC230V,2000W,SUS316L,728mm,N	1	PC	SA
3-6	DC93-00128M	ASSY DUCT CONDENSER	U-PJT COMBO,9KG	1	PC	SA
3-6-1	DC65-00008B	CLAMPER HOSE	SSEC-GE,SK5,Dacromet,T1.0	8	PC	SA
3-6-2	DC67-00443A	HOSE CONDENSER	AEGIS-COMBO,EPDM,ID59,OD7	1	PC	SA
3-6-3	DC93-00129B	ASSY S.DUCT CONDENSER	BAIKAL-COMBO,WD702	1	PC	SA
3-7	DC93-00751A	ASSY DD BLDC MOTOR-MODULE	WD6500K,COM800	1	PC	SNA
3-7-1	DC97-20738A	ASSY STATOR	CDD800	1	PC	SA
3-7-2	DC97-20739A	ASSY ROTOR	CDD800,GI-SGCD	1	PC	SA
3-8	DC97-14263A	ASSY BOLT	MOTOR/BOLT(M8)+WASHER(OD27.5),	2	PC	SA
3-9	DC97-16462C	ASSY TUB BACK-MODULE	Heba PJT,WD0804W8N1	1	PC	SA
3-9-1	DC62-00008A	SEAL OIL	NBR,BLACK,-,NBU	1	PC	SA
3-9-2	DC97-16461C	ASSY TUB BACK	Heba PJT,WD0804W8N1/YAH	1	PC	SNA
3-9-2-1	DC61-02664B	BRACKET HEATER	HEBA,STS430,T0.5	1	PC	SA
3-9-2-2	DC69-01154A	PACKING-TUB	WF8804DP,EPDM,-,-,L1650	1	PC	SA
4	DC60-40144A	BOLT HEX	F500,SM10C,T10,L35,DAMPER	2	PC	SA

MODEL CODE (WD90T654DBE/S3)

Service Bom (SA: SERVICE AVAILABLE, SNA: SERVICE NOT AVAILABLE)

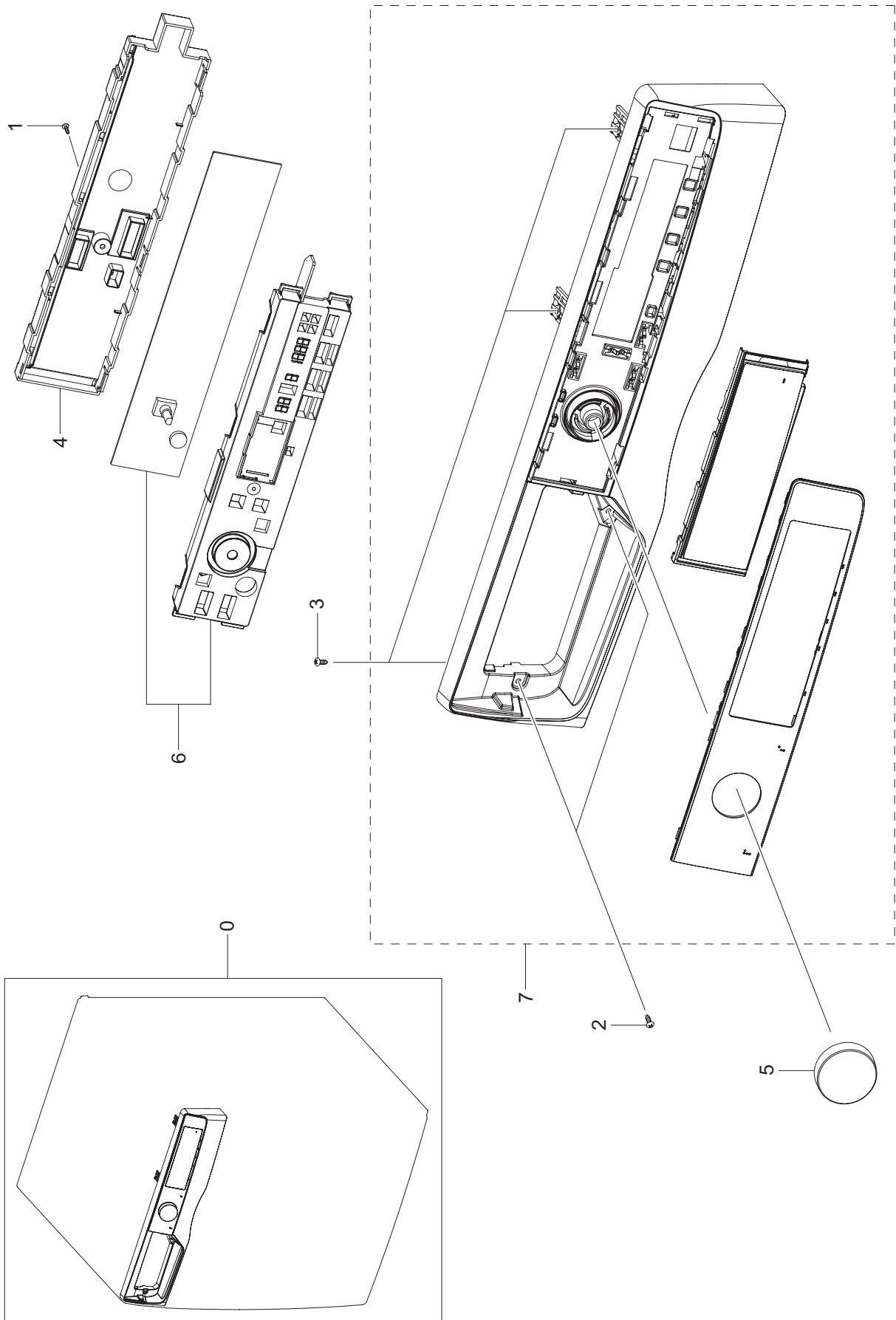
Drawing No	Code No.	Description	Specification	QTY	Un	SA/SNA
0	DC90-28603L	ASSY FRONT PARTS	WD90T654DBH/S1	1	PC	SNA
1	6002-001554	SCREW-TAPPING	BH,+ ,No,1,M4,L12,STS430,HE	2	PC	SNA
2	6006-001174	SCREW-TAPPING	TH,+ ,WT,2S,M4,L12,ZPC(WHT)	3	PC	SNA
3	DC91-12078E	ASSY WIRE DIAPHRAGM	AEGIS,WF8500NHW/YLP,	1	PC	SA
4	DC97-22290A	ASSY COVER FILTER	WW6000T,ABS,T2.5,DA WH	1	PC	SNA
4-1	DC63-00920M	COVER FILTER	ADD WASH,ABS,T2.5,DA WHITE,	1	PC	SA
5	DC97-22283C	ASSY FRAME FRONT-MODULE	WW8000T,WW90T654	1	PC	SA
5-1	6009-001522	SCREW-HEX	HWH,+ ,M5,L16,PASS,STS430,FP,SE	2	PC	SA
5-2	DC97-22267A	ASSY DOOR-MODULE	WW8000T,ADD WASHER,GRAN	1	PC	SA
5-2-1	DC61-00891A	GUIDE HINGE	HAUZEN(DOM),POM,F20-03,white	1	PC	SA
5-2-2	DC64-03303A	INLAY-DOOR	WD9500J,PET,T0.3,VERSAILLES G	3	PC	SA
5-2-2	DC64-03303A	INLAY-DOOR	WD9500J,PET,T0.3,VERSAILLES G	3	PC	SA
5-2-3	DC66-00375A	LEVER DOOR	10KG DRUM,ZNDC,T2.5,-,-,-,N	1	PC	SC
5-2-4	DC66-00878A	DAMPER SHOCK-AXIS	WD9500JK,POM,NATURAL	1	PC	SA
5-2-5	DC97-19300A	ASSY HOLDER GLASS	WW7500K,WW90K7405OW/EG	1	PC	SA
5-2-5-1	DC62-00474A	SEAL DOOR	Si,GY0039	1	PC	SA
5-2-5-2	DC97-19401A	ASSY LATCH	WW8500K	1	PC	SA
5-2-6	DC97-22273A	ASSY COVER DOOR	WW8000T,ADD WASHER,GRAND	1	PC	SA
5-2-6-1	6009-001522	SCREW-HEX	HWH,+ ,M5,L16,PASS,STS430,FP,SE	2	PC	SA
5-2-6-2	DC61-04133D	HINGE DOOR	ADD WASH,PA6+GF50%,-,VERSAILL	1	PC	SA
5-2-6-3	DC62-00475A	SEAL RUBBER	ADD WASH,Si,GY0039	1	PC	SA
5-2-6-4	DC62-00477B	CAP	WW6/5/4600K,PP+TD30%,FC2305,VER SAILL	1	PC	SA
5-2-6-5	DC63-01943A	COVER HOLDER	24" ADD WASH,ABS,HB,VERSAIL	1	PC	SA
5-2-6-6	DC63-01945B	COVER-ADD IN	WW8/7/6/5500K,PP+TD30%,VERS	1	PC	SA
5-2-6-7	DC64-03390A	DOOR-GLASS	WW6500K,GLASS,T5,TRANSPARENT,	1	PC	SA
5-2-6-8	DC64-03949A	DECORATION COVER DOOR	DV90T5740BV,ABS,T2	1	PC	SA
5-2-6-9	DC64-03973A	DOOR SAFETY	U-PJT,ABS,T2.5,TX-0510,GRAND	1	PC	SA
5-2-6-10	DC66-00890A	LEVER-TIP	WW5500K,ZNDC,Ni Coating	1	PC	SA
5-2-6-11	DC61-04078A	SUPPORT HINGE	WD9500J,GI-SGCC,T1.4	1	PC	SA
5-2-6-12	DC62-00473A	SEAL CAP GUIDE	WW8/7/6/5500K,PP+TD30%,VE	1	PC	SA
5-2-7	DC97-22276A	ASSY HOLDER GLASS	WW8000T,ADD WASHER,Ver	1	PC	SA
5-2-7-1	DC34-00025D	SWITCH DOOR LOCK	DC12V,0.35	1	PC	SA

MODEL CODE (WD90T654DBE/S3)

Service Bom (SA: SERVICE AVAILABLE, SNA: SERVICE NOT AVAILABLE)

Drawing No	Code No.	Description	Specification	QTY	Un	SA/SNA
5-2-7-2	DC61-00891A	GUIDE HINGE	HAUZEN(DOM),POM,F20-03,white	1	PC	SA
5-2-7-3	DC61-04131A	HINGE DOOR	WW6/5500K,ALDC,T5	1	PC	SA
5-2-7-4	DC61-04134A	BRACKET HOLDER	WW6/5500K,GI-SGCC,T1.2	1	PC	SA
5-2-7-5	DC64-00828G	SWITCH DOOR	AC125/250V,1.5/0.75A,1BUTTON	1	PC	SA
5-2-7-6	DC93-00884A	ASSY WIRE HARNESS-SUB	DRUM-M,WW80T754DBT	1	PC	SA
5-2-8	DC63-01942F	COVER DOOR	WW8000T,ABS,BLACK CAVIAR,2nd	1	PC	SA
5-3	DC97-22283C	ASSY FRAME FRONT-MODULE	WW8000T,WW90T654	1	PC	SA
5-3-1	DA66-01072A	LATCH	LATOUR,POM,NATURAL,DC LATCH	1	PC	SA
5-3-2	DC61-01917G	GUIDE FILTER	WW90T754DBX/S6,PP,T2.5,BLAC	1	PC	SNA
5-3-3	DC61-01919B	BRACKET HINGE	WW6500K,GI-SGCC,T1.4,N/A	1	PC	SA
5-3-4	DC61-05186A	FRAME FRONT	WW6000,GI-SGCD,DA WHITE,T0.7	1	PC	SNA

5. ASSY PANEL CONTROL PARTS (WD90T654DBE/S3)

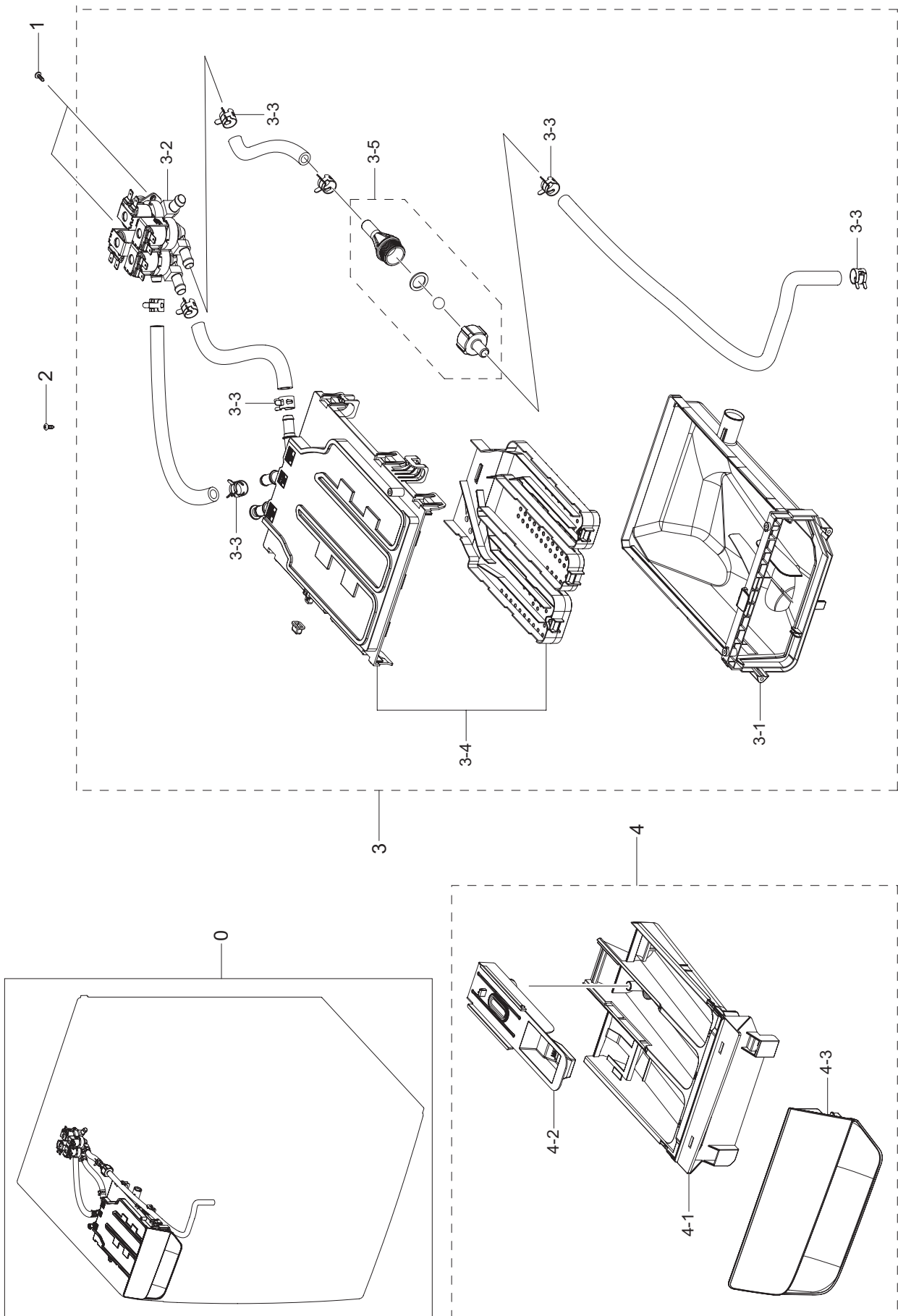


MODEL CODE (WD90T654DBE/S3)

Service Bom (**SA**: SERVICE AVAILABLE, **SNA**: SERVICE NOT AVAILABLE)

Drawing No	Code No.	Description	Specification	QTY	Un	SA/SNA
0	DC90-28637G	ASSY PANEL CONTROL PARTS	WD92T654CBE/S4	1	PC	SNA
1	6002-000213	SCREW-TAPPING	TH,+,1,M4,L12,ZPC(WHT),SWR	4	PC	SNA
2	6002-000445	SCREW-TAPPING	TH,+,NO,2,M4,L18,PASS,STS4	4	PC	SNA
3	6006-001174	SCREW-TAPPING	TH,+,WT,2S,M4,L12,ZPC(WHT)	3	PC	SNA
4	DC63-02571A	COVER PCB-SUB	DV90T5740BV,PP+TD30%,T2,HB	1	PC	SA
5	DC64-03921A	KNOB ENCODER	A1 SIMPLE,ABS,HB,NATURAL,CH	1	PC	SA
6	DC92-02642J	ASSY MODULE	FWM_Touch Display,WW6500T,8k	1	PC	SA
7	DC97-22155C	ASSY PANEL CONTROL-MODULE	GOOD DESIGN,WW	1	PC	SA

6. ASSY DRAWER PARTS (WD90T654DBE/S3)

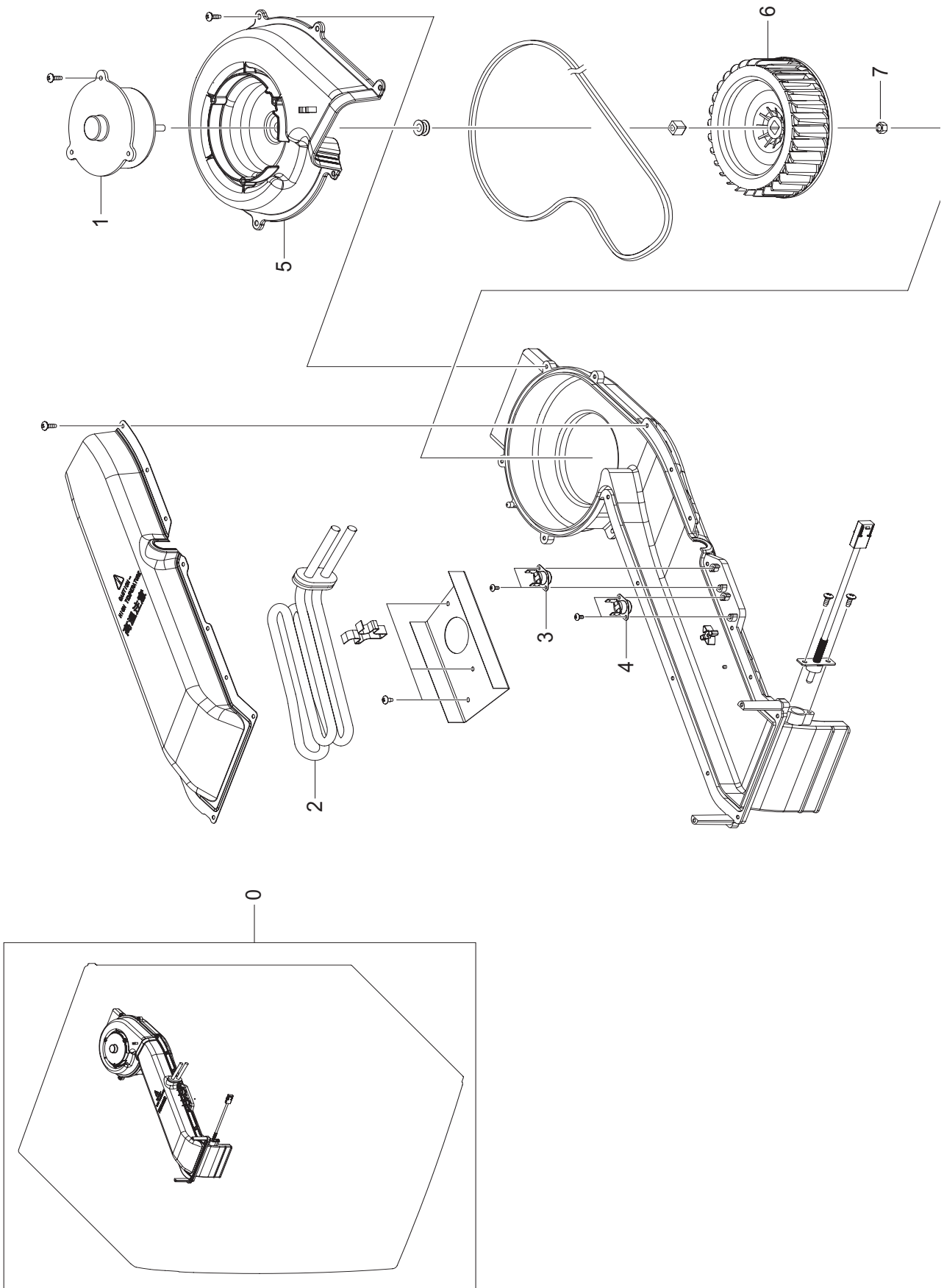


MODEL CODE (WD90T654DBE/S3)

Service Bom (**SA**: SERVICE AVAILABLE, **SNA**: SERVICE NOT AVAILABLE)

Drawing No.	Code No.	Description	Specification	QTY	Un	SA/SNA
0	DC90-28603E	ASSY DRAWER PARTS	WD90T654DBH/S1	1	PC	SNA
1	6003-000226	SCREW-TAPTYPE	TH,+,-,S,M4,L8,ZPC(WHT),SW	2	PC	SNA
2	6006-001174	SCREW-TAPPING	TH,+WT,2S,M4,L12,ZPC(WHT)	3	PC	SNA
3	DC97-22247B	ASSY HOUSING DRAWER-MODULE	U-PJT,HEBA 63	1	PC	SNA
3-1	DC61-02663A	HOUSING DRAWER-LOW	WW5000,PP+TD30%,T1.8,	1	PC	SA
3-2	DC62-00214T	VALVE WATER	DC12V,Bracket,mm,#250,1,4,0.	1	PC	SA
3-3	DC65-00008B	CLAMPER HOSE	SSEC-GE,SK5,Dacromet,T1.0	8	PC	SA
3-4	DC97-17347A	ASSY S.HOUSING DRAWER	F500E,WF80F5E5U4W	1	PC	SA
3-5	DC97-21031A	ASSY NOZZLE CONNECTOR	WD6800N	1	PC	SA
4	DC97-22250B	ASSY DRAWER-MODULE	U-PJT,WW6000T,DA WHITE	1	PC	SNA
4-1	DC61-03480A	BODY DRAWER	WF-F500E,PP+TD30%,DA WHITE,W	1	PC	SA
4-2	DC67-00669A	CAP RINSE	WF-F500E,PP+TD30%,MT43,Honesty	1	PC	SA
4-3	DC64-03970B	HANDLE DRAWER	U-PJT,ABS,T3,HG-0760GP,DA	1	PC	SA

7.ASS'Y DUCT SCROLL (WD90T654DBE/S3)

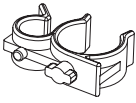

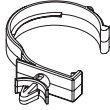
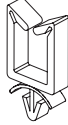

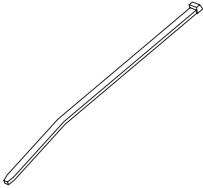


MODEL CODE (WD90T654DBE/S3)

Service Bom (**SA**: SERVICE AVAILABLE, **SNA**: SERVICE NOT AVAILABLE)

Drawing No.	Code No.	Description	Specification	QTY	Un	SA/SNA
0	DC93-00341C	ASSY DUCT SCROLL	WD7000J,9KG,220V	1	PC	SA
1	DC31-00032D	MOTOR BLDC FAN	DL-7806SSWC,2700rpm,24V,1	1	PC	SA
2	DC47-00008F	HEATER DRY	AC230V,1600W,INCOLOY800,897mm	1	PC	SA
3	DC47-00016B	THERMOSTAT	AC125/250V,25A,125,-35,S.O.D,	1	PC	SA
4	DC47-00016C	THERMOSTAT	AC125/250V,16A,125,-35,MANUAL	1	PC	SA
5	DC61-02527A	HOUSING FAN-UP REAR	AEGIS-COMBO,PA,T3.0,	1	PC	SA
6	DC67-00904A	FAN DRY	PA66,T2.0,AEGIS-COMBO,PA66,PI 13	1	PC	SA
7	6021-001868	NUT-HEXAGON	LEFT HAND SCREW,M6,STS304	1	PC	SA

8. SMALL PARTS (WD90T654DBE/S3)

				
1	2	3	4	5
				
6				

MODEL CODE: WD90T654DBE/S3

Service Bom (SA: SERVICE AVAILABLE, SNA: SERVICE NOT AVAILABLE)

NO.	Code No.	Description	Specification	InstPoint	QTY	Un	SA/ SNA
1	DC61-00133A	CLAMPER HOSE-FIX	P1291,PP,HOSE+PLUG,BJ-750	FRM+H- DRAIN+P-CODE	2	PC	SA
2	DC61-00118A	CLAMP-CABLE	"P1291,PA66,ID27,OD30,NATURAL,-,-,NC0001"	H-DRAIN(O)+ FRAME	1	PC	SA
3	DC61-02879A	HOLDER WIRE	"WF8804CPA,PA,L58.6,NATURAL,2110R"	FRAME+HOSE(O)	1	PC	SNA
4	DC61-00553B	CABLE CLAMP	DAWS-3NE,PA66,NTR	-	1	PC	SNA
5	DC61-00553C	CABLE CLAMP	-,PA66,NTR	ASSY PANEL CONTROL	1	PC	SNA
6	DC65-10001A	CABLE TIE	CT-140,T1.1,W3.5,L145,NTR,NYLON66	ASSY HOUSING DRAWER	2	PC	SNA
6	DC65-10001A	CABLE TIE	CT-140,T1.1,W3.5,L145,NTR,NYLON66	HEATER-DRY HARNESS	1	PC	SNA
6	DC65-10001A	CABLE TIE	CT-140,T1.1,W3.5,L145,NTR,NYLON66	C/HEATER+ THERMISTOR	1	PC	SNA

8. PARTS LIST (SCREW TYPE)

MODEL CODE (WD90T654DBE/S3)

Service Bom (SA: SERVICE AVAILABLE, SNA: SERVICE NOT AVAILABLE)

Code No.	Description	Specification	QTY	Un	SA/SNA
6002-000213	SCREW-TAPPING	TH,+,1,M4,L12,ZPC(WHT),SWR	4	PC	SNA
6002-000445	SCREW-TAPPING	TH,+,NO,2,M4,L18,PASS,STS4	4	PC	SNA
6003-001768	SCREW-TAPTYPE	TH,+,WT,S,M4,L10,ZPC(WHT),	2	PC	SNA
6006-001174	SCREW-TAPPING	TH,+,WT,2S,M4,L12,ZPC(WHT)	3	PC	SNA
6009-001343	SCREW-SPECIAL	PH,TORX,M4,L12,ZPC(WHT),SW	2	PC	SNA
DC97-14006C	ASSY SCREW	GRIFFIN-PJT,WF9904RWE,SWRCH18	2	PC	SNA
6002-001436	SCREW-TAPPING	PH,+,2,M4,L18,ZPC(WHT),SWR	6	PC	SNA
DC97-15858A	ASSY SCREW	trumph-PJT,WF-F1061/YLP,SWRCH	2	PC	SNA
6002-001327	SCREW-TAPPING	PWH,+,1,M4,L12,ZPC(WHT),SW	6	PC	SNA
6006-001174	SCREW-TAPPING	TH,+,WT,2S,M4,L12,ZPC(WHT)	3	PC	SNA
6002-001438	SCREW-TAPPING	HWH,+,NO,1,M5,L12,ZPC(WHT)	2	PC	SNA
6003-000226	SCREW-TAPTYPE	TH,+,-,S,M4,L8,ZPC(WHT),SW	2	PC	SNA
6006-001174	SCREW-TAPPING	TH,+,WT,2S,M4,L12,ZPC(WHT)	3	PC	SNA
6002-000445	SCREW-TAPPING	TH,+,NO,2,M4,L18,PASS,STS4	4	PC	SNA
6003-000226	SCREW-TAPTYPE	TH,+,-,S,M4,L8,ZPC(WHT),SW	2	PC	SNA
6006-001174	SCREW-TAPPING	TH,+,WT,2S,M4,L12,ZPC(WHT)	3	PC	SNA
6002-000213	SCREW-TAPPING	TH,+,1,M4,L12,ZPC(WHT),SWR	4	PC	SNA
6001-000516	SCREW-MACHINE	PH,+,-,M3,L10,ZPC(WHT),SWR	1	PC	SNA
6001-000115	SCREW-MACHINE	BH,+,M3,L10,ZPC(WHT),SWRCH	1	PC	SNA
6001-000115	SCREW-MACHINE	BH,+,M3,L10,ZPC(WHT),SWRCH	1	PC	SNA
6001-000115	SCREW-MACHINE	BH,+,M3,L10,ZPC(WHT),SWRCH	1	PC	SNA
6006-001174	SCREW-TAPPING	TH,+,WT,2S,M4,L12,ZPC(WHT)	3	PC	SNA
6002-001320	SCREW-TAPPING	TH,+,NO,2S,M4,L8,PASS,STS3	4	PC	SNA
6002-000445	SCREW-TAPPING	TH,+,NO,2,M4,L18,PASS,STS4	4	PC	SNA
6003-001768	SCREW-TAPTYPE	TH,+,WT,S,M4,L10,ZPC(WHT),	2	PC	SNA
6006-001174	SCREW-TAPPING	TH,+,WT,2S,M4,L12,ZPC(WHT)	3	PC	SNA
6002-000520	SCREW-TAPPING	TH,+,2,M4,L12,ZPC(WHT),SWR	1	PC	SNA
6002-001554	SCREW-TAPPING	BH,+,No,1,M4,L12,STS430,HE	2	PC	SNA
6002-001006	SCREW-TAPPING	TH,+,-,2S,M4,L12,PASS,STS4	3	PC	SNA
6002-000213	SCREW-TAPPING	TH,+,1,M4,L12,ZPC(WHT),SWR	4	PC	SNA
6002-000445	SCREW-TAPPING	TH,+,NO,2,M4,L18,PASS,STS4	4	PC	SNA
6002-001554	SCREW-TAPPING	BH,+,No,1,M4,L12,STS430,HE	2	PC	SNA

MODEL CODE (WD90T654DBE/S3)Service Bom (**SA**: SERVICE AVAILABLE, **SNA**: SERVICE NOT AVAILABLE)

Code No.	Description	Specification	QTY	Un	SA/SNA
6006-001174	SCREW-TAPPING	TH,+,WT,2S,M4,L12,ZPC(WHT)	3	PC	SNA
6009-001522	SCREW-HEX	HWH,+,M5,L16,PASS,STS430,FP,SE	2	PC	SA
6002-000213	SCREW-TAPPING	TH,+,1,M4,L12,ZPC(WHT),SWR	4	PC	SNA
6002-000444	SCREW-TAPPING	TH,+,2,M4,L14,PASS,STS430	4	PC	SNA
6002-001279	SCREW-TAPPING	PWH,+,1,M4,L12,PASS,STS430	2	PC	SNA
6002-001286	SCREW-TAPPING	FH,+,-,1,M4,L16,PASS,STS43	4	PC	SNA
6002-000630	SCREW-TAPPING	PH,+,2S,M3,L8,ZPC(WHT),SWR	7	PC	SNA
6002-000213	SCREW-TAPPING	TH,+,1,M4,L12,ZPC(WHT),SWR	4	PC	SNA
6002-000213	SCREW-TAPPING	TH,+,1,M4,L12,ZPC(WHT),SWR	4	PC	SNA
6002-000444	SCREW-TAPPING	TH,+,2,M4,L14,PASS,STS430	4	PC	SNA
6009-001522	SCREW-HEX	HWH,+,M5,L16,PASS,STS430,FP,SE	2	PC	SA
6002-000445	SCREW-TAPPING	TH,+,NO,2,M4,L18,PASS,STS4	4	PC	SNA
6002-000470	SCREW-TAPPING	TH,+,NO,1,M4,L10,ZPC(WHT),	2	PC	SNA
DE60-10080A	SCREW-TAPPING	PWH,+,2S,M5,L9,ZPC(WHT),SW	2	PC	SNA
6002-000213	SCREW-TAPPING	TH,+,1,M4,L12,ZPC(WHT),SWR	4	PC	SNA
6002-000445	SCREW-TAPPING	TH,+,NO,2,M4,L18,PASS,STS4	4	PC	SNA
6006-001174	SCREW-TAPPING	TH,+,WT,2S,M4,L12,ZPC(WHT)	3	PC	SNA