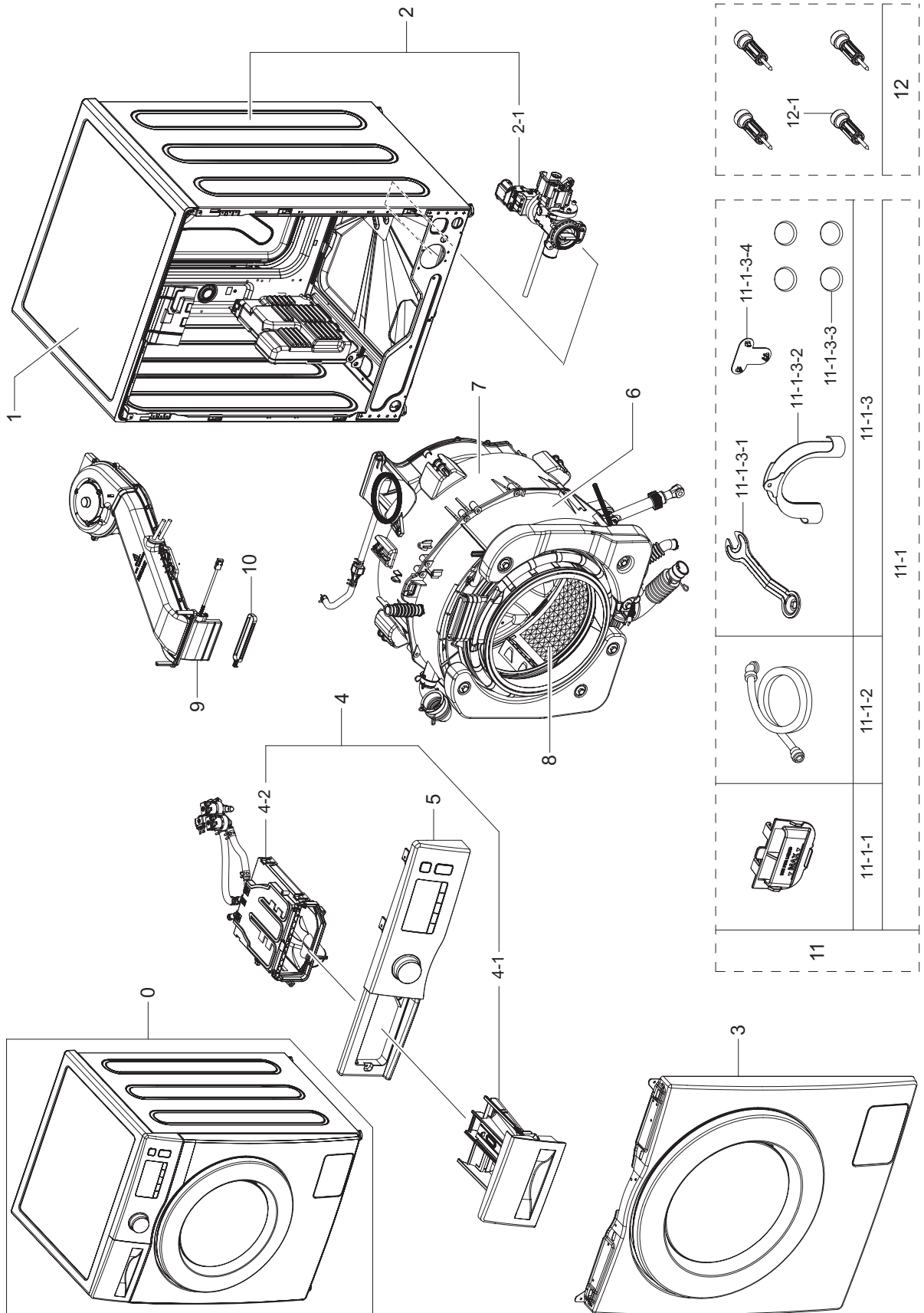


# 1. MAIN (WD80T4046EE/LE)

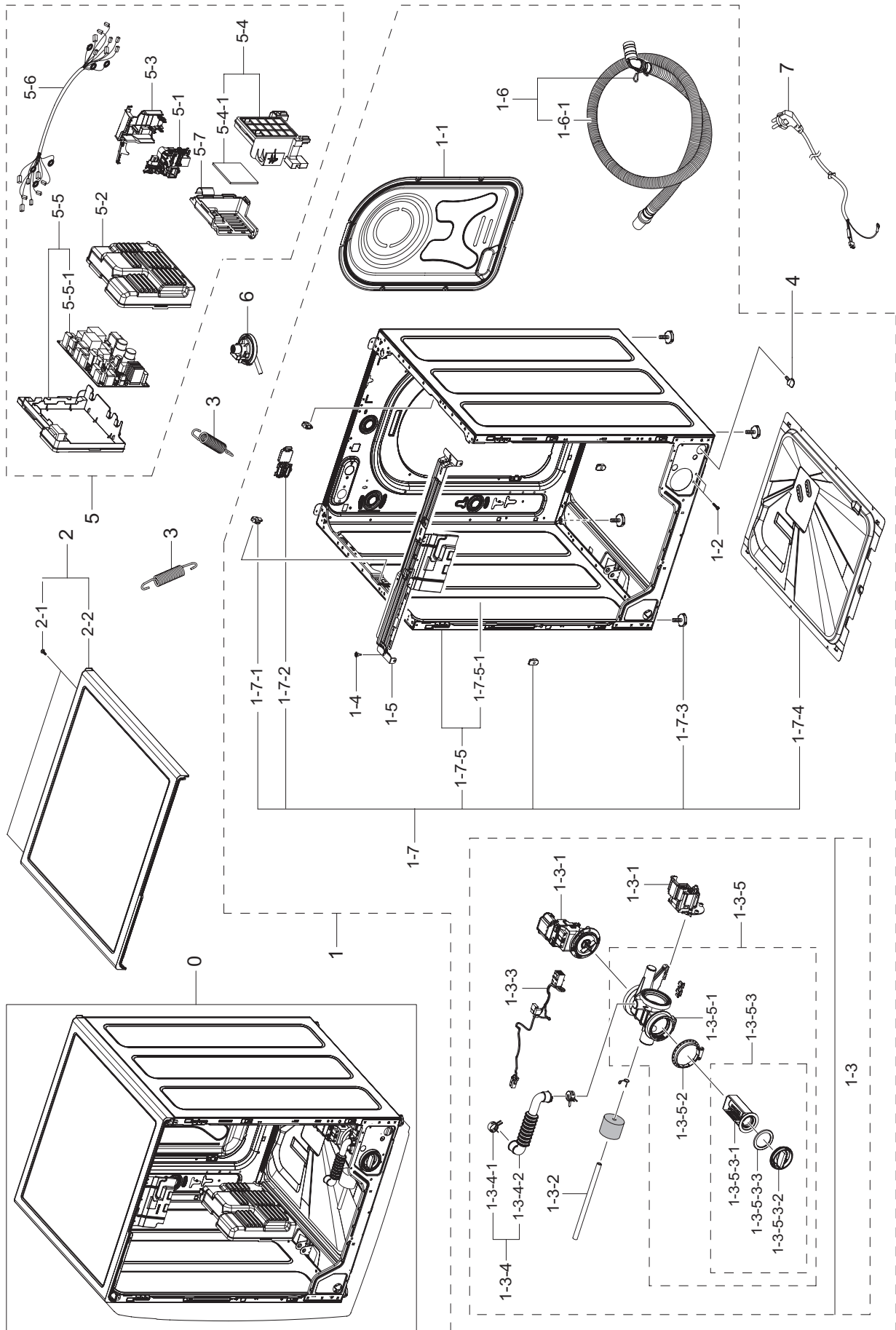


## MODEL CODE (WD80T4046EE/LE)

Service Bom (SA: SERVICE AVAILABLE, SNA: SERVICE NOT AVAILABLE)

Drawing No.	Code No.	Description	Specification	QTY	Un	SA/SNA
0	WD70T4046EW/EF	ASSY-WASHING MACHINE	WD4000T			
1	DC90-28638A	ASSY COVER TOP PARTS	WD80T534DBW/S1	1	PC	SNA
2	DC90-28637Z	ASSY FRAME PARTS	WD80T534DBW/S1	1	PC	SNA
2-1	DC97-15696R	ASSY PUMP DRAIN	WW6000T,WD90T654DBH/S1,2	1	PC	SNA
3	DC90-28604J	ASSY FRONT PARTS	WD70T4046EW/EF	1	PC	SNA
4	DC90-28638X	ASSY DRAWER PARTS	WD80T4046EE/LE	1	PC	SNA
4-1	DC97-17310B	ASSY DRAWER	F500E,WF80F50FU4W	1	PC	SNA
4-2	DC97-22247F	ASSY HOUSING DRAWER	WD5000T,WD80T554ABE/	1	PC	SNA
5	DC90-28639H	ASSY PANEL CONTROL PARTS	WD70T4046EE/LE	1	PC	SNA
6	DC90-28603W	ASSY TUB FRONT PARTS	WD80T534DBN/S1	1	PC	SNA
7	DC90-28603U	ASSY TUB BACK PARTS	WD80T534DBN/S1	1	PC	SNA
8	DC90-28603Z	ASSY DRUM PARTS	WD80T534DBN/S1	1	PC	SNA
9	DC93-00342C	ASSY DUCT SCROLL	WD7000J,8KG,220V	1	PC	SA
10	DC66-00782A	JOINT DIAPHRAGM	EGI-SECC,T1.0	1	PC	SA
11	DC90-28638G	ASSY ACCESSORY PARTS	WD80T554DBX/S3	1	PC	SNA
11-1	DC98-04384H	ASSY ACCESSORY	WD80T554DBX/S3	1	PC	SNA
11-1-1	DC61-03510A	GUIDE LIQUID	"WF-F500E,PP,MT43,Honesty Blue Light,BL0141"	1	PC	SA
11-1-2	DC97-16921A	ASSY HOSE WATER	WA5700J	1	PC	SC
11-1-3	DC98-04384D	ASSY ACCESSORY	U-PJT HEBA 58,WD80T534DBN	1	PC	SNA
11-1-3-1	DC60-00104A	FASTENER-BOLT	ALL,CR-SPCC,2.0,L113.5	1	PC	SA
11-1-3-2	DC62-10278A	HOSE HANGER	PUMP MODEL,PP,ID27,T1.5,HS95,BLACK	1	PC	SA
11-1-3-3	DC67-00208B	CAP-FIXER	WF8602NHS/XFA,PP,T1.5,P535-H,BLACK,RECYCLE PP	1	PC	SA
11-1-3-4	DC67-00307A	CAP-FIXER	WF438AAC/XAA,PP,T1.5,COPO,BLAC	4	PC	SA
12	DC97-14794C	ASSY FIXER TUB	SCOUT,WF0704L7W/XEF	4	PC	SA
12-1	DC60-60044B	WASHER PLAIN	WW65R20GLSW/TL,PO-SPHC,T2	1	PC	SA

## 2. ASSY FRAME & COVER PARTS (WD80T4046EE/LE)



## MODEL CODE (WD80T4046EE/LE)

Service Bom (SA: SERVICE AVAILABLE, SNA: SERVICE NOT AVAILABLE)

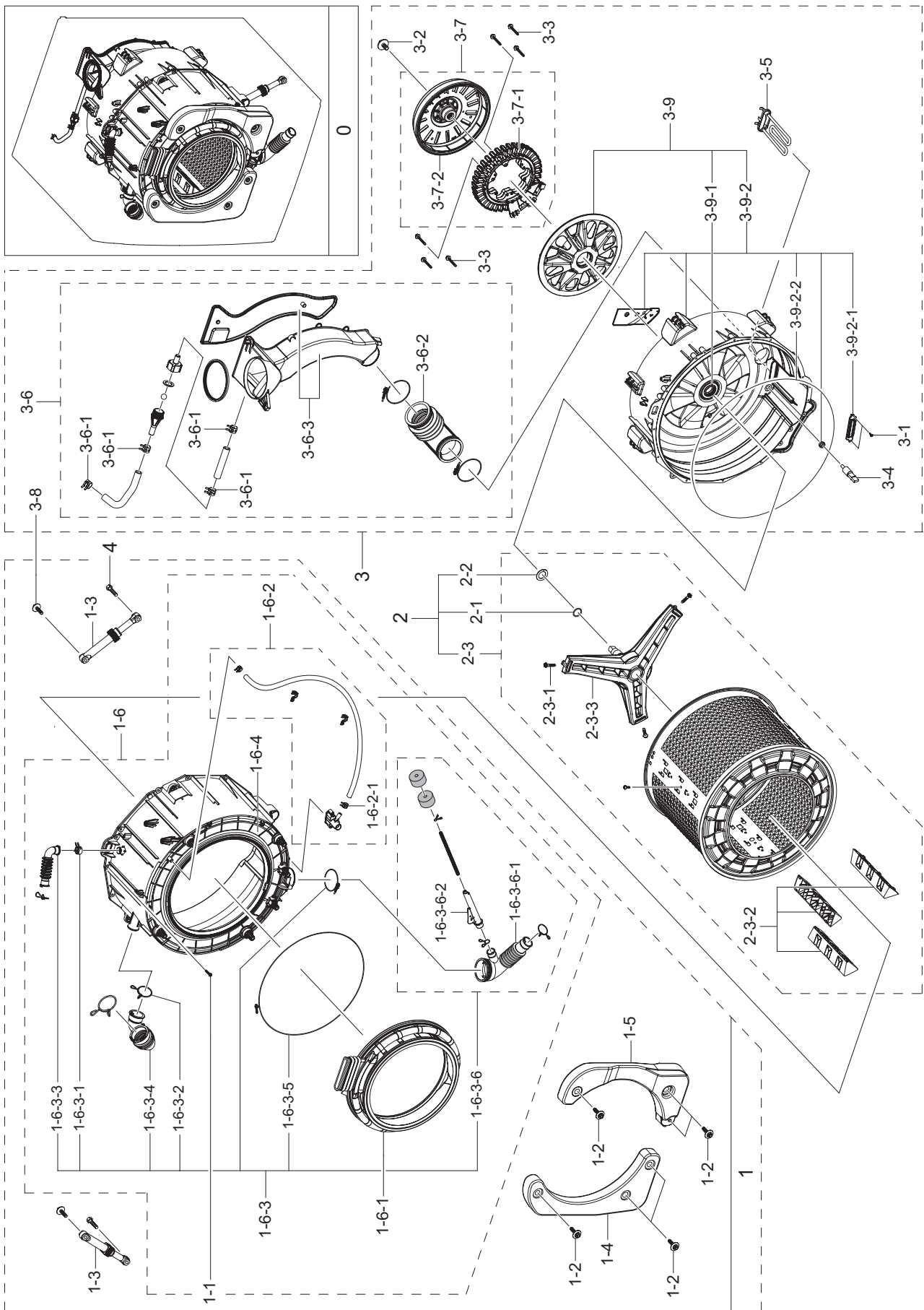
Drawing No.	Code No.	Description	Specification	QTY	Un	SA/SNA
0		ASSY FRAME & INNER PARTS	WD5000T	1		
1	DC90-28637Z	ASSY FRAME PARTS	WD80T534DBW/S1	1	PC	SNA
1-1	DC63-00862C	COVER BACK	WF8600NMW,GI-SGCC,T0.35,W352,L558.7,NATURAL	1	PC	SA
1-2	DC97-14006C	ASSY SCREW	GRIFFIN-PJT,WF9904RWE,SWRCH18A	2	PC	SNA
1-3	DC97-15696R	ASSY PUMP DRAIN	WW6000T,WD90T654DBH/S1,220~230V	1	PC	SNA
1-3-1	DC31-00181A	MOTOR AC PUMP	"Drum&Auto,B15-6A/S3019/S3032/ PX2025-1,2Pole,220-240V,50Hz,0.33A,35W,5to+60C,3000rpm,130~145C,0.64 CFM"	2	PC	SA
1-3-2	DC67-00244C	HOSE DRAIN	WF0804Y8E,EPDM,ID6,OD11,T2.5,	1	PC	SA
1-3-3	DC96-01567C	ASSY WIRE HARNESS	"AEGIS 3- PJT,WF0702WKN/XSC,220V,50Hz,7kg,1200RPM,PUMP WIRE"	1	PC	SA
1-3-4	DC97-19905A	ASSY HOSE PUMP	DRUM	1	PC	SA
1-3-4-1	DC61-00158A	CLAMPER HOSE	SW65ASP,SK5,ID23,T0.8,-,-,-,-	2	PC	SA
1-3-4-2	DC67-00461A	HOSE AIR TUB	SCOUT- PJT,EPDM,T1.5,BLACK	1	PC	SA
1-3-5	DC97-19914A	ASSY CASE FILTER	BUBBLE	1	PC	SA
1-3-5-1	DC61-02271B	CASE PUMP	"WF0804Y8E/XEF,PP,T2.5,W153.6,L133.2,WHITE,2WAY"	1	PC	SA
1-3-5-2	DC69-01128A	PACKING-PUMP	WF8804DP,IIR,BUTYL,T2.5,HEBA-PJT,BLK	1	PC	SA
1-3-5-3	DC97-15695C	ASSY FILTER	Heba,WF9904CWN1	1	PC	SA
1-3-5-3-1	DC63-00998A	FILTER PUMP	SCOUT-PJT,PP,W52.8,L93.1,NEAT WHITE,BUBBLE	1	PC	SA
1-3-5-3-2	DC64-02783A	HANDLE FILTER	WF350ANW/XAA,PP,T2.3,W63.8,NATURAL,BIG_HANDLE-FILTER	1	PC	SA
1-3-5-3-3	DC73-00022A	SEAL PACKING	SEW-HVR149ATA,EPDM,BLK,-	1	PC	SA
1-4	DC97-15858A	ASSY SCREW	trumph-PJT,WF-F1061/YLP,SWRCH18A	2	PC	SNA
1-5	DC97-22408A	ASSY FRAME PLATE-UP	WD5000T,T1.4,HEBA	1	PC	SA
1-6	DC97-20913B	ASSY HOSE DRAIN(O)	Heba,1870,ID20.5	1	PC	SA
1-6-1	DC67-00992A	HOSE PUMP	Heba,PP,ID20.5,T1,LIGHT GRAY	1	PC	SA
1-7	DC97-22332B	ASSY FRAME-MODULE	WD5000T,WD80T534DBW/S1	1	PC	SA
1-7-1	DC61-02065A	GUIDE SPRING	WF448AAG/XXA,POM,T4,W24,L36.8,WHITE	2	PC	SA
1-7-2	DC63-02181B	COVER CONNECTOR	PP,T2,HB,BLACK,RECYCLE PP,BLACK	1	PC	SA
1-7-3	DC97-00920W	ASSY LEG	WW6000T,WD90T654DBH/S1,48.5,M10,1.5,BUTYL	4	PC	SA
1-7-4	DC97-16443C	ASSY COVER BOTTOM	VISTULA 6A MODEL,WF180	1	PC	SA
1-7-5	DC97-22336B	ASSY FRAME	WD5000T,WD80T534DBW/S1,T0.8,D	1	PC	SNA

## MODEL CODE (WD80T4046EE/LE)

Service Bom (SA: SERVICE AVAILABLE, SNA: SERVICE NOT AVAILABLE)

Drawing No.	Code No.	Description	Specification	QTY	Un	SA/SNA
1-7-5-1	DC61-05240B	FRAME	WD80T534DBW/S1,GI-SGCC,DA WHITE,DA	1	PC	SNA
2	DC90-28638A	ASSY COVER TOP PARTS	WD80T534DBW/S1	1	PC	SNA
2-1	6002-001438	SCREW-TAPPING	HWH,+,NO,1,M5,L12,ZPC(WHT),SWR CH18A,SEPERATOR	2	PC	SNA
2-2	DC97-21151E	ASSY COVER TOP	WW6000T(HEBA58),DA WHTIE	1	PC	SA
3	DC61-02029B	SPRING ETC-HANGER	HEBA 7kg,HSWR,CD3.5,OD26.2,L159,RED	2	PC	SA
4	DC61-10673C	CAP DRAIN	WF1802XEY/XSC,PP,NATURAL	1	PC	SA
5	DC92-02706Q	ASSY COVER PCB W/ HARNESS	WD80T4046EW/EF	1	PC	SNA
5-1	DC34-00028B	SWITCH DOOR LOCK	AC250V,16A,SOLENOID, DOOR SENSING, CAM	1	PC	SA
5-2	DC63-02598A	COVER PBA	WW6000T(F500E-SSEC),ABS,T2.5,5VA,NATURAL,VE-0858	1	PC	SA
5-3	DC63-02602A	COVER DOOR SWITCH	WW6000,PP,T2.5,5VA,NATURAL,FH 44N	1	PC	SA
5-4	DC92-02665A	ASSY PCB KIT	FWM_INV,COMBO MODULE, 121x80mm, Free voltage,24Vdc,60W,motor direction UWV,Y,SMPS,Standard	1	PC	SA
5-4-1	DC92-02664A	ASSY PCB MAIN	FWM_INV,COMBO MODULE,121x80mm, Free voltage,24Vdc,60W,Motor direction UWV,Y,SMPS,Standard	1	PC	SNA
5-5	DC92-02702X	ASSY HOLDER PCB	WD5000T,DC94-10773A,Y,SM	1	PC	SA
5-5-1	DC94-10773A	ASSY PCB EEPROM	0194,WD4000T	1	PC	SNA
5-6	DC93-00893M	ASSY WIRE HARNESS-MAIN	DRUM-M,WD80TA046B	1	PC	SA
5-7	DC63-02624A	COVER PBA	WW6000T(24" DRUM COMBO PLATFOR	1	PC	SA
6	DC96-01703G	SENSOR PRESSURE	Air,5V,L0,400mmH2O	1	PC	SA
7	DC39-00067B	POWER CORD-AT	H05VV-F 3x1.0mm2,GRY,EU3F,	1	PC	SA

### 3. ASSY TUB & DRUM PARTS (WD80T4046EE/LE)



## MODEL CODE (WD80T4046EE/LE)

Service Bom (SA: SERVICE AVAILABLE, SNA: SERVICE NOT AVAILABLE)

Drawing No.	Code No.	Description	Specification	QTY	Un	SA/ SNA
0		ASSY TUB & DRUM PARTS	WD5000T	1		
1	DC90-28603W	ASSY TUB FRONT PARTS	WD80T534DBN/S1	1	PC	SNA
1-1	6009-001367	BOLT-HEX	M6.5,L32,ZPC(WHT),SWRCH18A,HWH Head	16	PC	SNA
1-2	6011-003934	BOLT-HEX	M7.6,L48,ZPC(WHT),SCM 35,WASHER	3	PC	SA
1-2	6011-003934	BOLT-HEX	M7.6,L48,ZPC(WHT),SCM 435,WASHER	3	PC	SA
1-3	DC66-00343K	DAMPER SHOCK	GE24"-PJT,PP,60N,W24,BLACK,1-BUSH	2	PC	SA
1-4	DC97-16008A	ASSY WEIGHT BALANCER-LEFT	SCOUT-PJT,WF08	1	PC	SA
1-5	DC97-18524A	ASSY WEIGHT BALANCER-RIGHT	HEBA,6.5KG,PE	1	PC	SA
1-6	DC97-18841J	ASSY SEMI TUB FRONT	WD5000J,BUBBLE	1	PC	SA
1-6-1	DC64-03235B	DOOR DIAPHRAGM	WD5000J,EPDM,T1.5,LIGHT GRAY,without nozzle	1	PC	SA
1-6-2	DC97-15993A	ASSY HOSE CIRCULATION	"SCOUT,WF0804Y8E,EPDM,L703,OD 14.5,BLACK"	1	PC	SA
1-6-2-1	DC65-00008B	CLAMPER HOSE	SSEC-GE,SK5,Dacromet,T1.0	2	PC	SA
1-6-3	DC97-16478F	ASSY TUB FRONT	SEINE,WF806U4SAGD/TL	1	PC	SNA
1-6-3-1	DC61-00158A	CLAMPER HOSE	SW65ASP,SK5,ID23,T0.8,-,-,-,-	1	PC	SA
1-6-3-2	DC65-60118R	CLIP RING	AEGIS-PJT,HSWR-SWRH,T3.0,ID37	1	PC	SA
1-6-3-3	DC67-00647A	HOSE AIR	WF906U4SAWD,EPDM,ID19.6,T1.7,BL	1	PC	SA
1-6-3-4	DC67-00674A	HOSE DRAWER TUB	"SEINE COMBO,EPDM,ID34.9,OD48.0 ,T2.0,BLACK,SEINE COMBO"	1	PC	SA
1-6-3-5	DC91-12077G	ASSY CLAMP DIAPHRAGM	AEGIS,WF8500NHW/YLP	1	PC	SA
1-6-3-6	DC97-14637G	ASSY HOSE PRESSURE	SCOUT COMBO,WD0804W8N1	1	PC	SA
1-6-3-6-1	DC67-00293A	HOSE FILTER TUB	HEBA-PJT,EPDM,T2.5,BLACK	1	PC	SA
1-6-3-6-2	DC67-00598A	HOSE JOINT AIR	WD0804W8N1/YAH,PP,ID36.2,OD50, T2.5,L131,DARK HOLDER GRAY,PP1205	1	PC	SA
1-6-4	DC61-01933C	TUB FRONT	HEBA PJT,FRPP,T3.5,NATURAL,7KG	1	PC	SNA
2	DC90-28603Z	ASSY DRUM PARTS	WD80T534DBN/S1	1	PC	SNA
2-1	6044-001172	RING-OG	ID28,OD33,T2.5,BLK,NBR	1	PC	SNA
2-2	DC60-00069A	SPACER	WR-HA139WA,STS304	1	PC	SNA
2-3	DC97-22367A	ASSY DRUM	HEBA58-C-WD5000T,1400RPM,H	1	PC	SA
2-3-1	DC60-40137A	BOLT HEX	MARS-PJT,STS430,M8,P1.25, L30,HEX/ KNURING	3	PC	SA
2-3-2	DC66-00493A	DRUM LIFTER	HEBA PJT,PP,L247.5,TI42,GRAY,7/8KG	3	PC	SA

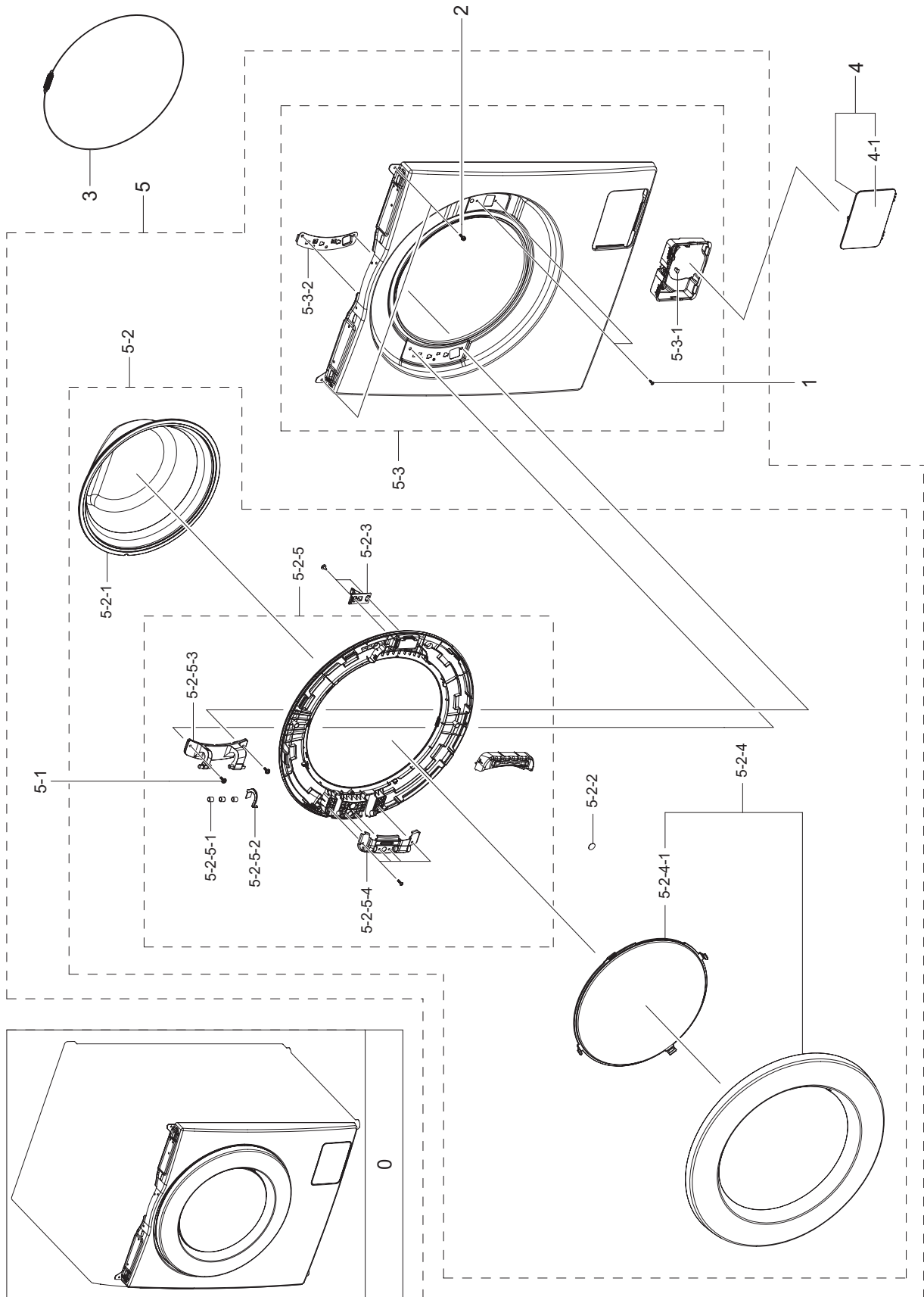
## MODEL CODE (WD80T4046EE/LE)

Service Bom (SA: SERVICE AVAILABLE, SNA: SERVICE NOT AVAILABLE)

Drawing No.	Code No.	Description	Specification	QTY	Un	SA/ SNA
2-3-3	DC97-14370H	ASSY FLANGE SHAFT	WD0804W8N1/YAH	1	PC	SC
3	DC90-28603U	ASSY TUB BACK PARTS	WD80T534DBN/S1	1	PC	SNA
3-1	6002-000445	SCREW-TAPPING	TH,+,NO,2,M4,L18,PASS,STS430	2	PC	SNA
3-2	6011-003728	BOLT-ETC	M12,L32,ZPC2,SWRCH10AK,WSP WASHER, SEAL LOCK	1	PC	SNA
3-3	6011-004528	BOLT-ETC	"M6,L45,ZPC(WHT),HH,SOCKET,SCM 435,P1.0/HEX/WSP"	6	PC	SA
3-4	DC32-00010C	THERMISTOR	WASHER,-10~100,5,5,3.243k ± 2%(60□)	1	PC	SA
3-5	DC47-00033B	HEATER WASH	AC230V,2000W,SUS316L,728mm,NO N,#250,MgO	1	PC	SA
3-6	DC93-00128L	ASSY DUCT CONDENSER	U-PJT COMBO,8KG	1	PC	SA
3-6-1	DC65-00008B	CLAMPER HOSE	SSEC-GE,SK5,Dacromet,T1.0	4	PC	SA
3-6-2	DC67-00443A	HOSE CONDENSER	"AEGIS-COMBO,EPDM,ID59,OD73,T2. 5,L155.5,BLACK"	1	PC	SA
3-6-3	DC93-00129C	ASSY S.DUCT CONDENSER	SEINE-COMBO,WD856U	1	PC	SA
3-7	DC93-00751A	ASSY DD BLDC MOTOR	WD6500K,COM800,F,DC310V PWM,Free	1	PC	SNA
3-7-1	DC97-20738A	ASSY STATOR	CDD800	1	PC	SA
3-7-2	DC97-20739A	ASSY ROTOR	CDD800,GI-SGCD	1	PC	SA
3-8	DC97-14263A	ASSY BOLT	MOTOR/ BOLT(M8)+WASHER(OD27.5),,,,,,	2	PC	SA
3-9	DC97-16462C	ASSY SEMI TUB BACK	Heba PJT,WD0804W8N1/YAH	1	PC	SA
3-9-1	DC62-00008A	SEAL OIL	NBR,BLACK,-,NBU	1	PC	SA
3-9-2	DC97-16461C	ASSY TUB BACK	Heba PJT,WD0804W8N1/YAH	1	PC	SNA
3-9-2-1	DC61-02664B	BRACKET HEATER	HEBA,STS430,T0.5	1	PC	SA
3-9-2-2	DC69-01154A	PACKING-TUB	WF8804DP,EPDM,-,-,L1650	1	PC	SA
4	DC60-40144A	BOLT HEX	F500,SM10C,T10,L35,DAMPER	2	PC	SA



## 4. ASSY FRAME PARTS (WD80T4046EE/LE)

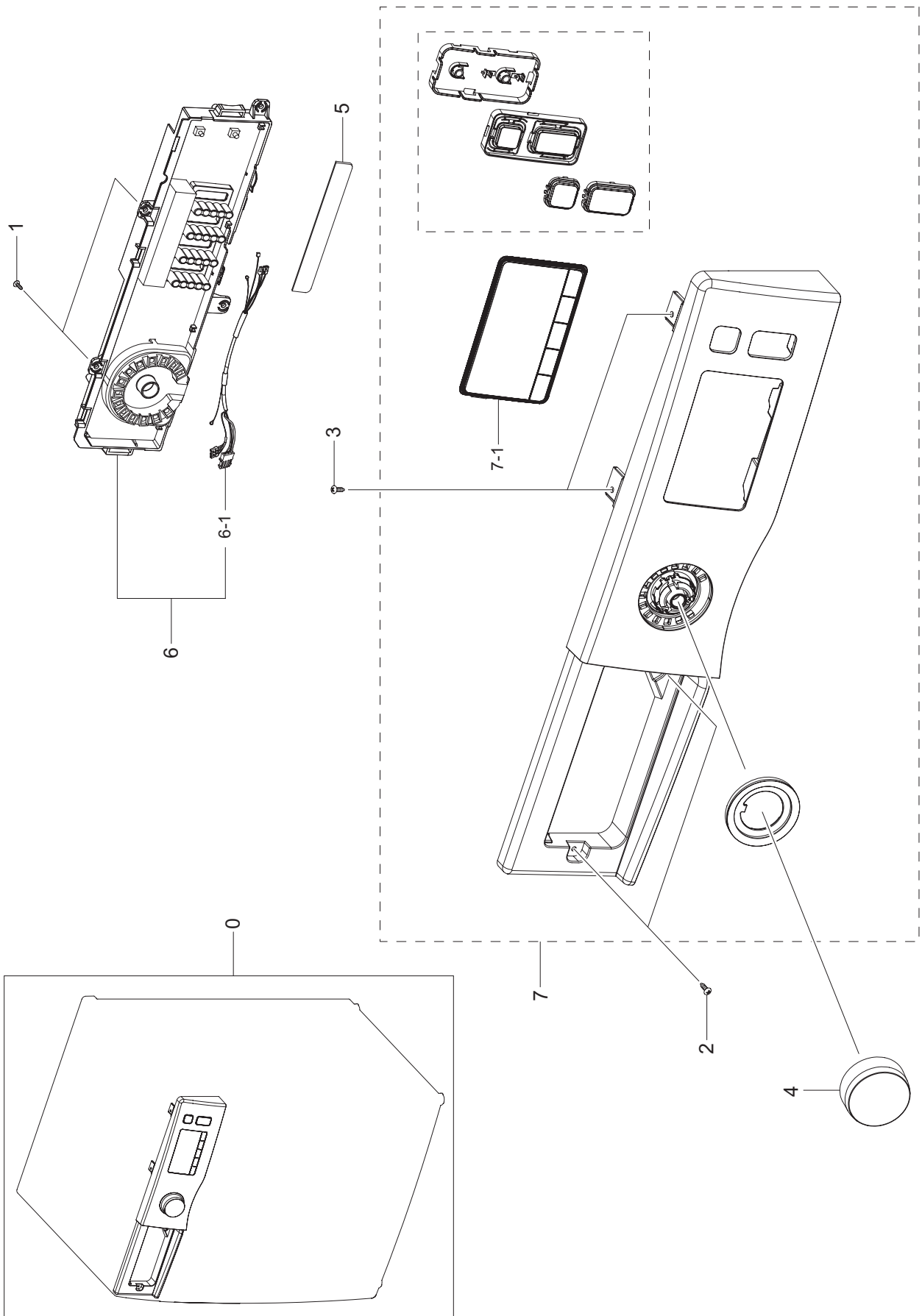


## MODEL CODE (WD80T4046EE/LE)

Service Bom (SA: SERVICE AVAILABLE, SNA: SERVICE NOT AVAILABLE)

Drawing No	Code No.	Description	Specification	QTY	Un	SA/SNA
0	DC90-28604J	ASSY FRONT PARTS	WD70T4046EW/EF	1	PC	SNA
1	6002-001554	SCREW-TAPPING	BH,+ ,No,1,M4,L12,STS430,HEAD SIZE OD8.0	2	PC	SNA
2	DE60-10080A	SCREW-TAPPING	PWH,+ ,2S,M5,L9,ZPC(WHT),SWRCH18A	2	PC	SNA
3	DC91-12078E	ASSY WIRE DIAPHRAGM	AEGIS,Wf8500NHw/YLP,-,-,-,-	1	PC	SA
4	DC97-22290A	ASSY COVER FILTER	"WW6000T,ABS,T2.5,DA WHITE,Label Caution"	1	PC	SNA
4-1	DC63-00920M	COVER FILTER	"ADD WASH,ABS,T2.5,DA WHITE,HG-0760GP, WT0035"	1	PC	SA
5	DC97-22283C	ASSY FRAME FRONT-MODULE	WW8000T,WW90T654	1	PC	SA
5-1	6009-001522	SCREW-HEX	HWH,+ ,M5,L16,PASS,STS430,FP, SEAL-LOCK	2	PC	SA
5-2	DC97-22272A	ASSY DOOR-MODULE	WD4000T,COMBO,DA WHITE	1	PC	SA
5-2-1	DC64-01790A	DOOR GLASS	AEGIS,GLASS,T5,W353.0	1	PC	SA
5-2-2	DC64-03303A	INLAY-DOOR	WD9500J,PET,T0.3,VERSAILLES GRAY,10.8mm	1	PC	SA
5-2-3	DC66-00375A	LEVER DOOR	10KG DRUM,ZNDC,T2.5,-,-,-,-,NI COATING	1	PC	SC
5-2-4	DC97-22275A	ASSY COVER DOOR	WD4000T,COMBO,DA WHITE	1	PC	SA
5-2-4-1	DC64-03562A	DOOR SAFETY	WD4000M,PETG,T2.5,JN200,CLEAR TP	1	PC	SA
5-2-5	DC97-22278A	ASSY HOLDER GLASS	WW4000T,Versailles Gra	1	PC	SA
5-2-5-1	DC61-00891A	GUIDE HINGE	HAUZEN(DOM),POM,B,white,HINGE	3	PC	SA
5-2-5-2	DC61-02197A	GUIDE WIRE	WD9500JK,POM,T1,M90-44,NATURAL	1	PC	SA
5-2-5-3	DC61-04131A	HINGE DOOR	WW6/5500K,ALDC,T5	1	PC	SA
5-2-5-4	DC61-04134A	BRACKET HOLDER	WW6/5500K,GI-SGCC,T1.2	1	PC	SA
5-3	DC97-22283C	ASSY FRAME FRONT	WW8000T,WW90T654DLH/ S6,T0.7,DA WHITE,Q-DRIVE	1	PC	SA
5-3-1	DA66-01072A	LATCH	LATOUR,POM,NATURAL,DC LATCH	1	PC	SA
5-3-2	DC61-01919B	BRACKET HINGE	WW6500K,GI-SGCC,T1.4,N/A	1	PC	SA

# 5. ASSY PANEL CONTROL PARTS (WD80T4046EE/LE)

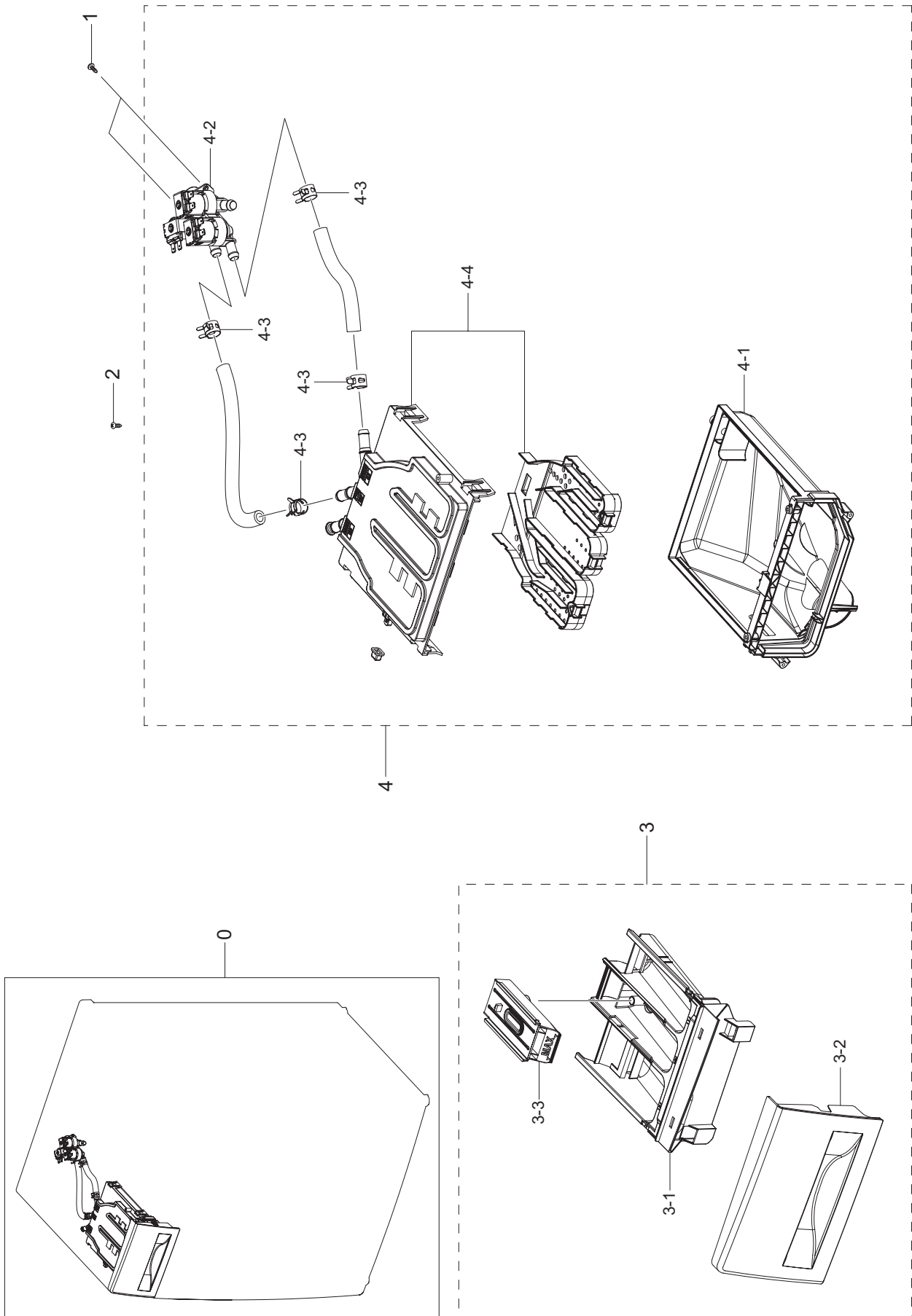


## MODEL CODE (WD80T4046EE/LE)

Service Bom (SA: SERVICE AVAILABLE, SNA: SERVICE NOT AVAILABLE)

Drawing No	Code No.	Description	Specification	QTY	Un	SA/SNA
0	DC90-28639H	ASSY PANEL CONTROL PARTS	WD70T4046EE/LE	1	PC	SNA
1	6002-000213	SCREW-TAPPING	TH,+,1,M4,L12,ZPC(WHT),SWRCH18A	2	PC	SNA
2	6002-000445	SCREW-TAPPING	TH,+,NO,2,M4,L18,PASS,STS430	2	PC	SNA
3	6006-001174	SCREW-TAPPING	TH,+,WT,2S,M4,L12,ZPC(WHT),SW RCH18A	2	PC	SNA
4	DC64-03312A	KNOB ENCODER	F500E,MABS,DA WHITE,DA WHIT	1	PC	SA
5	DC92-01785A	ASSY MODULE	TOUCH SENSOR,WW4/3000J,5KEY	1	PC	SA
6	DC92-01934D	ASSY PCB DISPLAY	FWM_INV WASH,WD4000T,32	1	PC	SA
6-1	DC96-01574B	ASSY WIRE HARNESS	DRUM-M,WF210ANW,8PIN,L155,WHT TAPE	1	PC	SA
7	DC97-19573V	ASSY PANEL CONTROL-MODULE	WD4000T,WD70T4	1	PC	SA
7-1	DC64-03275T	WINDOW PANEL	WD75T4046CE/FQ,PMMA,FT/6120	1	PC	SNA

## 6.ASSY DRAWER PARTS (WD80T4046EE/LE)

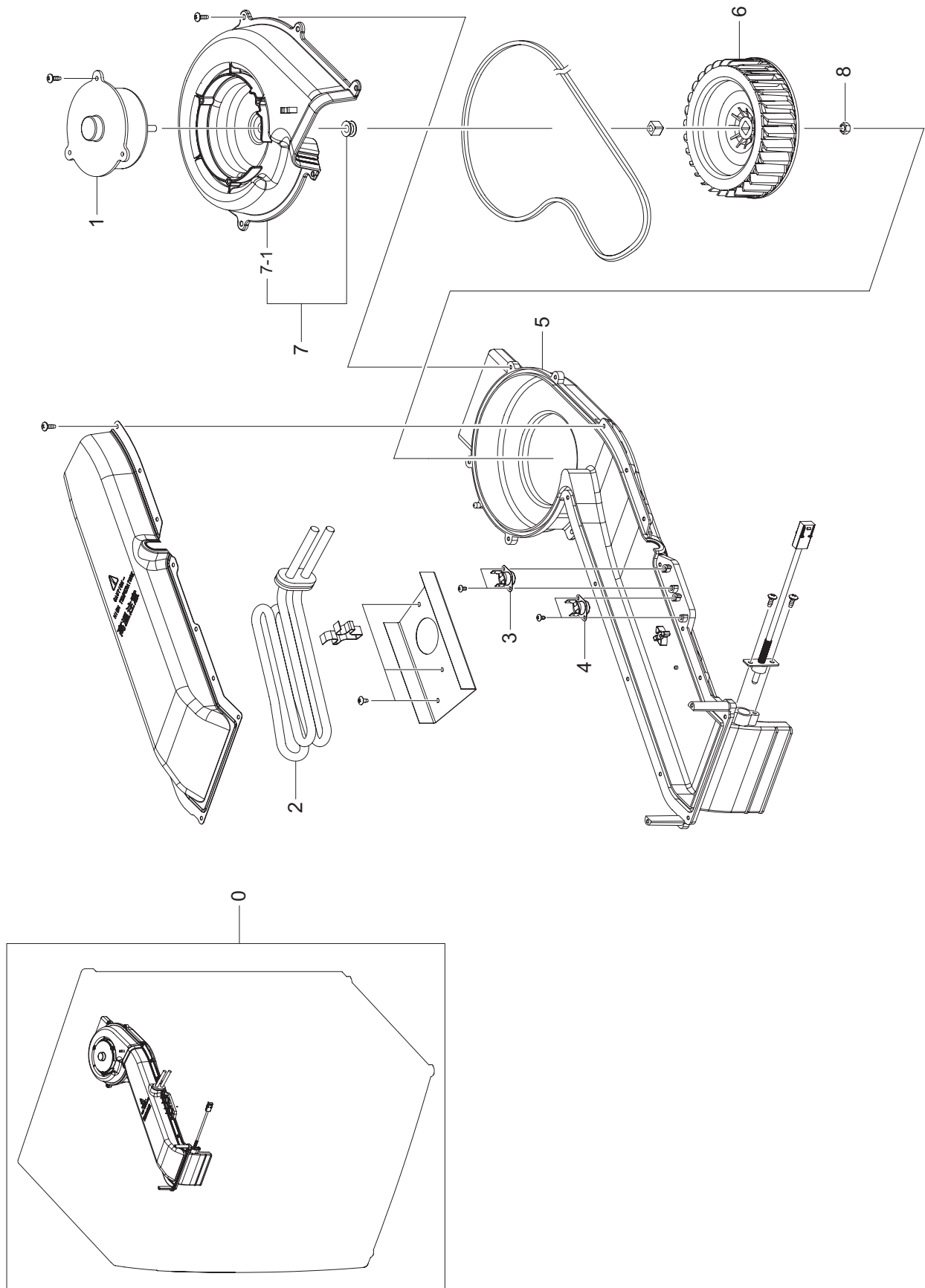


## MODEL CODE (WD80T4046EE/LE)

Service Bom (**SA**: SERVICE AVAILABLE, **SNA**: SERVICE NOT AVAILABLE)

Drawing No.	Code No.	Description	Specification	QTY	Un	SA/SNA
0	DC90-28638X	ASSY DRAWER PARTS	WD80T4046EE/LE	1	PC	SNA
1	6003-000226	SCREW-TAPTYPE	TH,+,-,S,M4,L8,ZPC(WHT),SWRCH18A,-	2	PC	SNA
2	6006-001174	SCREW-TAPPING	TH,+ ,WT,2S,M4,L12,ZPC(WHT),SWRCH18A	1	PC	SNA
3	DC97-17310B	ASSY DRAWER	F500E,WF80F50FU4W	1	PC	SNA
3-1	DC61-03480A	BODY DRAWER	WF-F500E,PP+TD30%,DA WHITE,W	1	PC	SA
3-2	DC64-02858M	PANEL DRAWER	ABS,HB,HG0760GP,DA WHITE,WT0035	1	PC	SA
3-3	DC67-00669A	CAP RINSE	WF-F500E,PP+TD30%,MT43,Honesty	1	PC	SA
4	DC97-22247F	ASSY HOUSING DRAWER	WD5000T,WD80T554ABE/	1	PC	SNA
4-1	DC61-02663A	HOUSING DRAWER-LOW	WW5000,PP+TD30%,T1.8,	1	PC	SA
4-2	DC62-00233K	VALVE WATER	"DC12V,Bracket,mm,#250,1,3,0.35-11-11L/min"	1	PC	SA
4-3	DC65-00008B	CLAMPER HOSE	SSEC-GE,SK5,Dacromet,T1.0	4	PC	SA
4-4	DC97-17347A	ASSY S.HOUSING DRAWER	F500E,WF80F5E5U4W	1	PC	SA

## 7. ASSY DUCT SCROLL (WD80T4046EE/LE)



---

**MODEL CODE: WD80T4046EE/LE**Service Bom (**SA**: SERVICE AVAILABLE, **SNA**: SERVICE NOT AVAILABLE)

NO.	Code No.	Description	Specification	QTY	Un	SA/SNA
0	DC93-00342C	ASSY DUCT SCROLL	WD7000J,8KG,220V	1	PC	SA
1	DC31-00032D	MOTOR BLDC FAN	DL-7806SSWC,2700rpm,24V,1.5A,15W	1	PC	SA
2	DC47-00008F	HEATER DRY	AC230V,1600W,INCOLOY800,897mm,150mm,200m,MG633976,MG633976,MgO	1	PC	SA
3	DC47-00016B	THERMOSTAT	AC125/250V,25A,125,-35,S.O.D,250,PPS,24.5mm	1	PC	SA
4	DC47-00016C	THERMOSTAT	AC125/250V,16A,125,-35,MANUAL,250,PPS,24.5mm	1	PC	SA
5	DC61-03919A	HOUSING FAN-LOW	WD7000,ALDC,T2.0,NATURAL	1	PC	SNA
6	DC67-00904A	FAN DRY	PA66,T2.0,AEGIS-COMBO,PA66,PI133,28 TURNS,T2.0	1	PC	SA
7	DC93-00577A	ASSY COVER HOUSING	SEINE COMBO	1	PC	SA
7-1	DC61-02527A	HOUSING FAN-UP REAR	AEGIS-COMBO,PA,T3.0,W185,L195	1	PC	SA
8	6021-001868	NUT-HEXAGON	LEFT HAND SCREW,M6,STS304	1	PC	SA