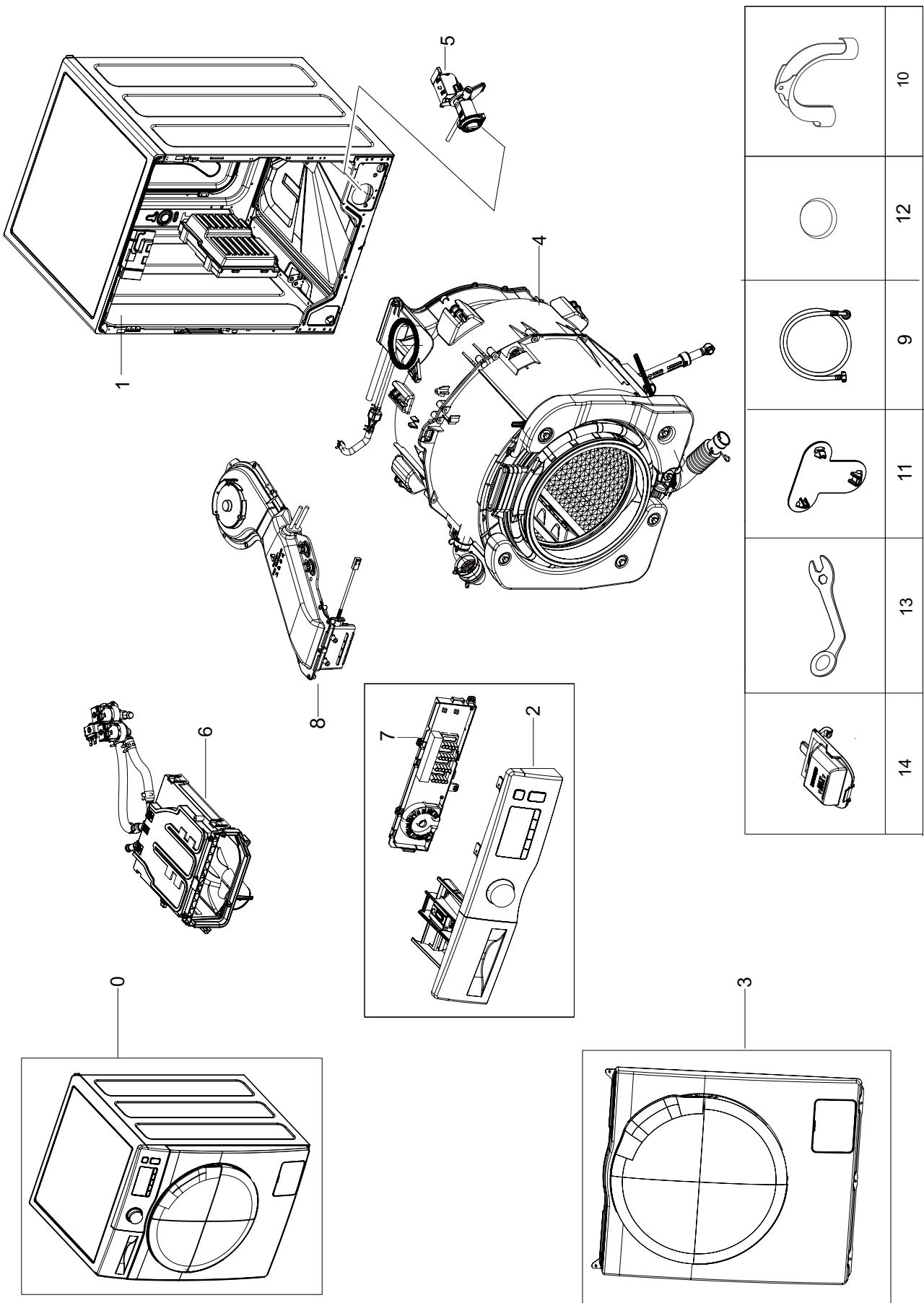


# 1.MAIN

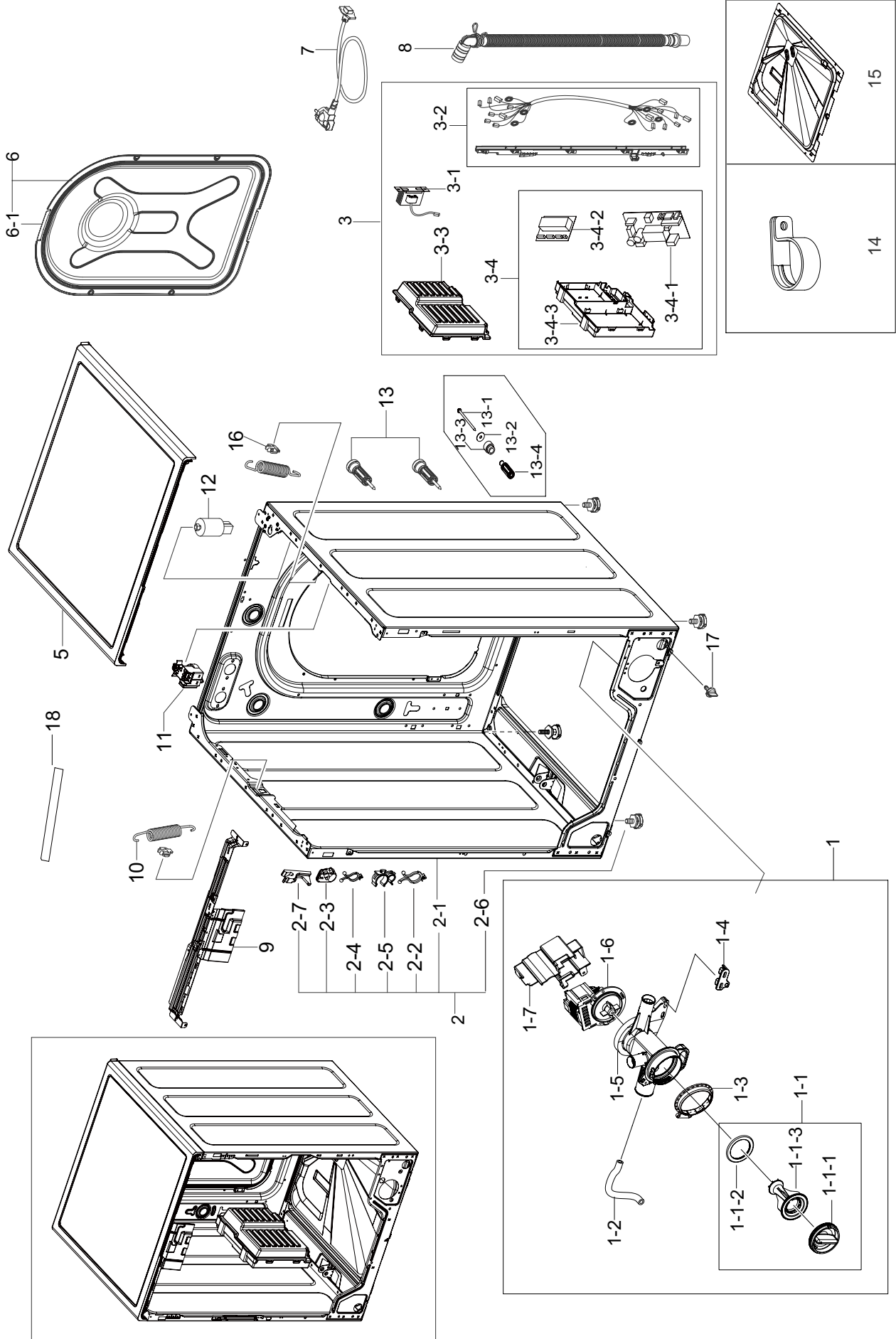


---

**MODEL CODE:WD80J5430AW/EF****Service Bom (SA: SERVICE AVAILABLE, SNA: SERVICE NOT AVAILABLE)**

Drawing No.	Code No.	Description	Specification	QTY	Un	SA/SNA
0	-	WD80J5430AW/EF	-	1	-	-
1	-	FRAME & COVER PARTS	-	1	-	-
2	-	PANEL CONTROL & DRAWER	-	1	-	-
3	-	FRAME FRONT & DOOR	-	1	-	-
4	DC90-19385A	ASSY TUB&DRUM	WD80J5430AW/EU	1	PC	SNA
5	DC96-01533A	ASSY PUMP DRAIN	WF8804DP,ADV-FILTER/ISOL	1	PC	SNA
6	DC97-18573D	ASSY HOUSING DRAWER	WD5000J,8KG	1	PC	SNA
7	DC92-01787C	ASSY PCB DISPLAY	FWM_INV,WD5000J,327X75,	1	PC	SA
8	DC93-00342C	ASSY DUCT SCROLL	WD7000J,8KG,220V	1	PC	SA
9	DC97-16921A	ASSY HOSE WATER	WA5700J	1	PC	SC
10	DC62-10278A	HOSE HANGER	PUMP MODEL,PP,BLACK	1	PC	SA
11	DC67-00208B	CAP-FIXER	WF8602NHS/XFA,PP,T1.5,P535-H,B	1	PC	SA
12	DC67-00307A	CAP-FIXER	WF438AAC/XAA,PP,T1.5,RECYCLE,B	4	PC	SA
13	DC60-00104A	FASTENER-BOLT	ALL,CR,OD36,2.5,L113.5	1	PC	SA
14	DC61-03510A	GUIDE LIQUID	WF-F500E,PP,MT43,Honesty Bl	1	PC	SA

## 2. FRAME & COVER PARTS



**MODEL CODE:WD80J5430AW/EF****Service Bom (SA: SERVICE AVAILABLE, SNA: SERVICE NOT AVAILABLE)**

Drawing No.	Code No.	Description	Specification	QTY	Unit	SA/SNA
1	DC96-01533A	ASSY PUMP DRAIN	WF8804DP,ADV-FILTER/ISOL	1	PC	SNA
1-1	DC97-14278B	ASSY FILTER	HEBA,WF0804Y8E1/YLP	1	PC	SNA
1-1-1	DC64-02783A	HANDLE FILTER	WF350ANW/XAA,PP,T2.3,W63.8	1	PC	SA
1-1-2	DC73-00022A	SEAL PACKING	SEW-HVR149ATA,EPDM,BLK,-	1	PC	SA
1-1-3	DC63-00865A	FILTER PUMP	WF8804DP,PP	1	PC	SA
1-2	DC67-00244K	HOSE DRAIN	HEBA,EPDM,ID6,OD10,T2.0,L200,	1	PC	SA
1-3	DC69-01128A	PACKING-PUMP	WF8804DP,IIR,BUTYL,T2.5,HEB	1	PC	SNA
1-4	DC63-00905A	CUSHION PUMP	WF8802DPF/XET,NBR,-,W37.6,L	1	PC	SNA
1-5	DC61-01951A	CASE PUMP	WF8804DP,PP,T2.5,W128,L108,-,-	1	PC	SNA
1-6	DC31-30008D	PUMP-DRAIN	SW-70XP,220/240V,50Hz,SYNCHRO	1	PC	SA
1-7	DC63-01410A	COVER PUMP	COVER-PUMP,PP,T1.3,W50,L77,V0	1	PC	SNA
2	DC97-18914B	ASSY PAINT FRAME	WD 5000 8KG,WD80J5430AW	1	PC	SA
2-1	DC97-18915A	ASSY FRAME	WD 5000 8KG,WD80J5420AW,DA WH	1	PC	SNA
2-2	DC61-40081A	HOLDER WIRE	DAWH-2NC,PA66,-,NATURAL,-	1	PC	SA
2-3	DC61-01901A	GUIDE FRAME FRONT	ALL MODEL,POM,T5.5,K30	2	PC	SNA
2-4	DC61-40081A	HOLDER WIRE	DAWH-2NC,PA66,-,NATURAL,-	7	PC	SA
2-5	DC61-00133A	CLAMPER HOSE-FIX	P1291,PP,-,HOSE+PLUG,BJ	2	PC	SA
2-6	DC97-00920H	ASSY LEG	-,ALL EXCEPT AUSTRALI MODEL,L33	4	PC	SA
2-7	DC61-02601A	GUIDE HOSE	SEINE COMBO 9.0kg,PS FOAM,WHI	1	PC	SA
3	DC92-01790J	ASSY KIT	FWM_INV,WD5000/6000J,WD5000J,22	1	PC	SNA
3-1	DC26-00009P	COIL HARMONIC	8.5mH,±15%,EI 48mm S-30NA,	1	PC	SA
3-2	DC93-00573E	ASSY WIRE HARNESS-MAIN	DRUM-M,WD80J5430A	1	PC	SA
3-3	DC63-01860A	COVER PCB-MAIN	WD5000,ABS,T2.5,5V-A,-,VE	1	PC	SA
3-4	DC92-01789B	ASSY KIT	FWM_INV,WD5000/6000J,220V	1	PC	SA
3-4-1	DC92-01786A	ASSY PCB MAIN	FWM_INV,WD5000J&WD6000J,19	1	PC	SNA
3-4-2	DC92-01378D	ASSY PCB INVERTER	STANDARD INVERTER,121m	1	PC	SNA
3-4-3	DC61-04010A	GUIDE COVER PCB	ABS,T2.5,5V-A,VE-0858,-	1	PC	SNA
4	DC97-14006C	ASSY SCREW	GRIFFIN-PJT,WF9904RWE,SWRCH18	2	PC	SA
5	DC97-18680A	ASSY COVER TOP	WD6000 8KG,WD80J6410AW_EU	1	PC	SA
6	DC97-17948B	ASSY COVER BACK	AEGIS	1	PC	SA
6-1	DC63-00862C	COVER BACK	WF8600NMW,GI-SGCC,T0.35,W352,	1	PC	SA

---

**MODEL CODE:WD80J5430AW/EF****Service Bom (SA: SERVICE AVAILABLE, SNA: SERVICE NOT AVAILABLE)**

<b>Drawing No.</b>	<b>Code No.</b>	<b>Description</b>	<b>Specification</b>	<b>QTY</b>	<b>Unit</b>	<b>SA/SNA</b>
7	DC96-00146A	ASSY POWER CORD	VDE,EU3F,E.U,250V/16A,H0	1	PC	SA
8	DC97-02250Z	ASSY HOSE DRAIN(O)	HEBA-PJT,GRY	1	PC	SA
9	DC97-17256C	ASSY FRAME PLATE	WD5000 8KG PJT,WD80J641	1	PC	SA
9-1	DC61-03970C	FRAME PLATE-UP	WD80J6410AW,GI-SGCC,T1.2	1	PC	SNA
10	DC61-02029B	SPRING ETC-HANGER	HEBA 7kg,HSWR-SWRH,CD3	2	PC	SA
11	DC96-01703G	SENSOR PRESSURE	Air,5,-,400mmH20,-	1	PC	SA
12	DC29-00015G	FILTER EMI	LFT-215G,-,AC 250V,15,53*95.5	1	PC	SA
13	DC97-14794C	ASSY FIXER TUB	SCOUT,WF0704L7W/XEF	4	PC	SA
13-1	6011-001669	BOLT-HEX	M7,L160,ZPC2,SCM435,TAPPING	4	PC	SNA
13-2	DC60-60044B	WASHER PLAIN	SBC,ID8.4/OD30,T2.0	4	PC	SA
13-3	DC73-00035A	FIXER RUBBER	WF0804Y8E/XEF,EPDM,BLACK,-,	4	PC	SNA
13-4	DC61-02028B	FIXER TUB	HEBA-PJT,FRPP,ID8.0/OD25.0,NTR	4	PC	SNA
14	DC61-00118A	CLAMP-CABLE	P1291,PA66,NATURAL,NC0001	1	PC	SA
15	DC97-16443C	ASSY COVER BOTTOM	VISTULA 6A MODEL,WF180	1	PC	SA
16	DC61-02065A	GUIDE SPRING	WF448AAG/XXA,POM,T4,W24,L36	2	PC	SA
17	DC61-10673C	CAP DRAIN	WF1802XEY/XSC,FRPP,BLACK	1	PC	SA
18	6922-000041	BAND	PP,T0.9,W17,L2000M,TRP	6.46	M	SNA



**MODEL CODE:WD80J5430AW/EF****Service Bom (SA: SERVICE AVAILABLE, SNA: SERVICE NOT AVAILABLE)**

Drawing No.	Code No.	Description	Specification	QTY	Uint	SA/SNA
0	DC90-19385A	ASSY TUB&DRUM	WD80J5430AW/EU	1	PC	SNA
1	DC97-18838C	ASSY SEMI TUB DRUM	WD80J5420AW/EE,8KG	1	PC	SNA
2	DC97-17686A	ASSY DRUM	WD806U4SAGD/EU	1	PC	SA
2-1	6002-001006	SCREW-TAPPING	TH,+,-,2S,M4,L12,PASS,STS4	3	PC	SNA
2-2	DC60-40137A	BOLT HEX	MARS-PJT,STS430,M8,P1.25,L30,HE	3	PC	SA
2-3	DC66-00492A	DRUM BACK	HEBA PJT,STAINLESS-STS430,ID48	1	PC	SNA
2-4	DC97-14370H	ASSY FLANGE SHAFT	WD0804W8N1/YAH	1	PC	SC
2-5	DC66-00489B	DRUM FRONT	HEBA PJT(8kg),STAINLESS-STS43	1	PC	SNA
2-6	DC66-00769A	DRUM WRAPPER	SCOUT,STAINLESS-STS430,OD 4	1	PC	SNA
2-7	DC66-00493A	DRUM LIFTER	HEBA PJT,PP,TI42,GRAY,7/8KG	3	PC	SA
3	DC97-18841C	ASSY SEMI TUB FRONT	WD80J5430AW/EU,8KG	1	PC	SA
3-1	DC91-12077G	ASSY CLAMP DIA-PHRAGM	AEGIS,WF8500NH/WYLP	1	PC	SA
3-2	DC97-14637C	ASSY HOSE PRESSURE	combo	1	PC	SA
3-2-1	DC67-00230E	HOSE WATER	WD8704,TPE,ID4.5,BLACK	1	PC	SNA
3-2-2	DC67-00293A	HOSE FILTER TUB	HEBA-PJT,EPDM,-,-,T2.5,-	1	PC	SA
3-2-3	DC72-00001H	CLIP RING	HEBA-PJT,HSWR-SWRH,WHITE	1	PC	SNA
3-2-4	DC63-10003H	ABSORBER SPONGE	-,PUR FOAM,H35,HB,BLACK	1	PC	SNA
3-2-5	DC61-00219B	CLAMPER HOSE	SK5,WLSL1100A,ID24 OD26.4	1	PC	SNA
3-2-6	DC61-70029C	CLIP RING	SEW-HW125,HSWR-SWRH,WHITE	2	PC	SNA
3-2-7	DC67-00297A	HOSE JOINT AIR	HEBA&Aegis-PJT,PP,L167.3,	1	PC	SNA
3-4	DC65-60118R	CLIP RING	AEGIS-PJT,HSWR-SWRH,T3.0,ID37	1	PC	SA
3-5	DC67-00674A	HOSE DRAWER TUB	SEINE COMBO,EPDM,ID34.9,	1	PC	SA
3-6	DC72-00001G	CLIP RING	HEBA-PJT,HSWR-SWRH,T3.0,ID49.5	1	PC	SNA
3-7	DC65-00021A	CLAMPER HOSE-JOINT	HEBA PJT,HSWR-SWRH,ID	1	PC	SNA
3-8	DC61-01933E	TUB FRONT	FRPP,T3.5,NATURAL	1	PC	SNA
3-9	DC64-03235B	DOOR DIAPHRAGM	WD5000J,EPDM,T1.5,LIGHT G	1	PC	SA
4	DC97-16462C	ASSY SEMI TUB BACK	Heba PJT,WD0804W8N1/Y	1	PC	SA
4-1	DC97-15516A	ASSY HOUSING BEARING	HEBA-COMBO,6205/620	1	PC	SNA
4-2	DC61-02220A	TUB BACK	HEBA-COMBO 1400rpm,FRPP,NTR	1	PC	SNA
4-3	6601-000148	BEARING BALL	6206ZZ,ID30,OD62,L16,STB2	1	PC	SNA
4-3	6601-000176	BEARING BALL	6205ZZ,ID25,OD52,L15,STB2	1	PC	SNA
4-4	DC62-00008A	SEAL OIL	NBR,BLACK,-,NBU	1	PC	SA

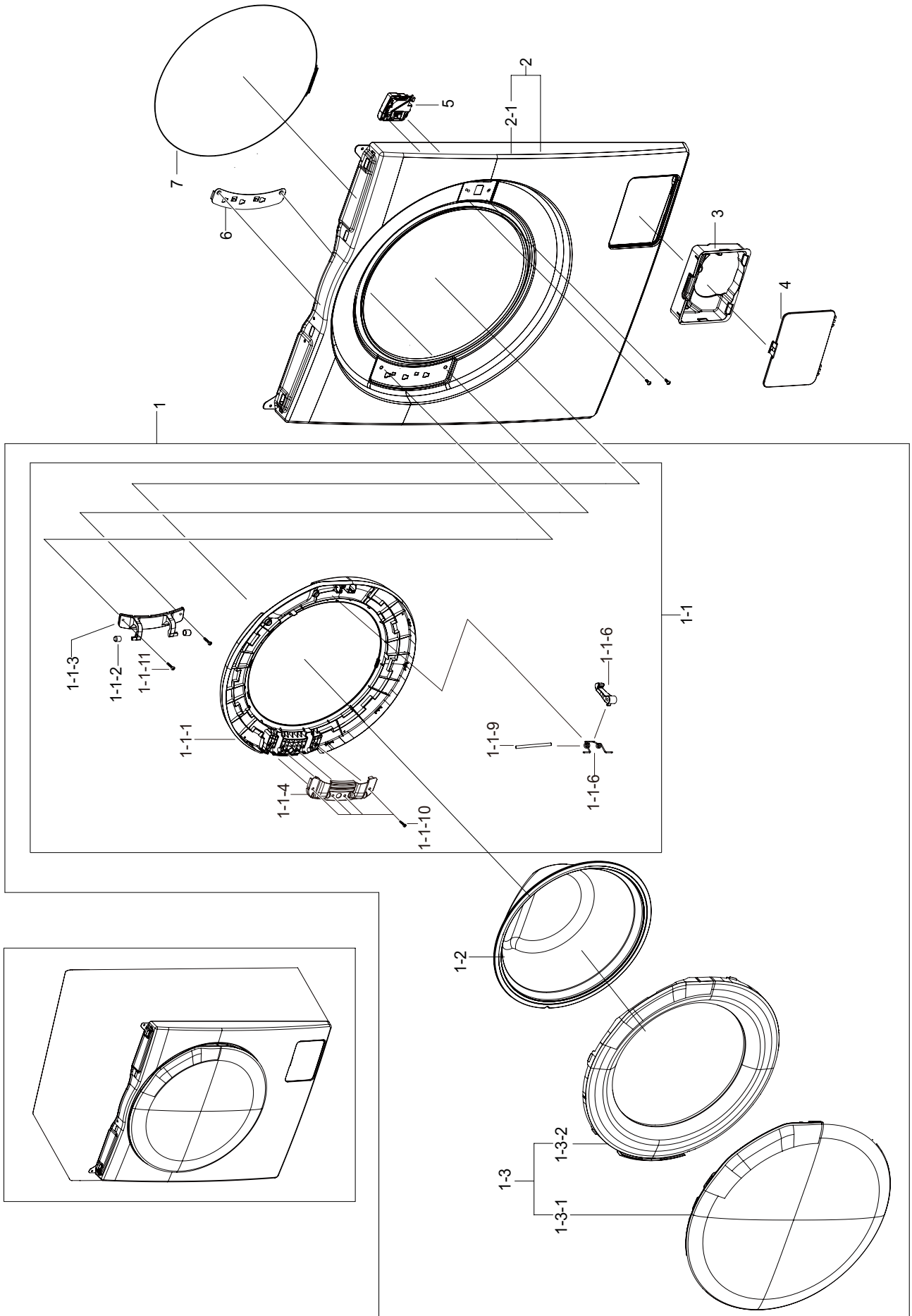
Drawing No.	Code No.	Description	Specification	QTY	Uint	SA/SNA
4-5	DC69-00824A	PACKING-THERMISTOR	GW-PJT,EPDM,-,-,W17,H	1	PC	SNA
4-6	DC69-01154A	PACKING-TUB	WF8804DP,EPDM,-,-,L1650	1	PC	SA
4-7	DC61-02874A	BRACKET HEATER	WD0704CQR,STAINLESS-ST543	1	PC	SNA
5	DC93-00128D	ASSY DUCT CONDENSER	WD7000J,WD80J7400GW/	1	PC	SA
5-1	DC93-00129E	ASSY S.DUCT CONDENSER	WD7000,WD80J7400GW	1	PC	SA
5-1-1	DC67-00442C	DUCT CONDENSER-FRONT	PP,T2.5,HB,TB53,-	1	PC	SNA
5-1-2	DC67-00664A	DUCT-CONDENSER(B)	PP,2.5,HB,TB53,NTR	1	PC	SNA
5-2	DC65-00021B	CLAMPER HOSE-JOINT	HEBA-PJT,HSWR-SWRH,ID	2	PC	SNA
5-3	DC67-00443A	HOSE CONDENSER	AEGIS-COMBO,EPDM,ID59,OD7	1	PC	SNA
5-4	DC69-01332A	PACKING-CONDENSER	AEGIS-COMBO,EPDM,EPDM,	1	PC	SNA
5-5	DC67-00418A	HOSE WATER	HEBA-COMBO,EPDM,ID9,OD14.5,T2	1	PC	SNA
5-6	DC62-00182A	NOZZLE CONNECTOR-UP	POM,NATURAL,TS-2 PJT	1	PC	SNA
5-7	DC62-00183A	NOZZLE CONNECTOR-LOW	POM,NATURAL	1	PC	SNA
5-8	DC62-00167A	NOZZLE BALL	Q1636GW,SILICON,-,-,-,-,TS	1	PC	SNA
5-9	DC67-00051B	HOSE DRAWER	Q1636GW/XEU,EPDM,ID9.0,OD14.	0.54	M	SNA
5-10	DC69-00640A	PACKING-FILTER	DRUM W/M,CB,SILICON,T2.5,	1	PC	SNA
5-11	DC65-00008B	CLAMPER HOSE	SSEC-GE,SK5,-,Dacromet,T1.0	5	PC	SNA
5-12	DC65-60118R	CLIP RING	AEGIS-PJT,HSWR-SWRH,T3.0,ID37	1	PC	SA
6	DC96-01218E	ASSY DD BLDC MOTOR	DON800,25MM/AL WIRE/0	1	PC	SNA
6-1	DC31-00074B	MOTOR BLDC-ASSY STATOR	DON800,0~1400,-,5	1	PC	SA
6-2	DC31-00075E	MOTOR BLDC-ASSY ROTOR	DON800,0~1400,-,5A	1	PC	SA
6-3	DC31-00076A	MOTOR BLDC-ASSY HALL SENSOR	DON700, 800,	1	PC	SA
7	DC47-00033B	HEATER WASH	AC230V,2000W,SUS316L,728mm,N	1	PC	SA
8	DC32-00010C	THERMISTOR	WASHER,-10~100,5,5,3.243k ± 2	1	PC	SA
9	DC63-01294A	COVER MOTOR	SCOUT,EGI-SECC,T0.8,W75.1,L2	1	PC	SNA
10	6011-001627	BOLT-ETC	M6,L56,MFZn,SCM435,P1.0/HEX/WSP	6	PC	SNA
11	6011-003728	BOLT-ETC	M12,L32,ZPC2,SWRCH10AK,WSP WASH	1	PC	SNA
12	DC60-40144A	BOLT HEX	SM10C,L35,ZPC2(YEL),M10,ZPC2(YE	2	PC	SA
13	DC66-00421B	DAMPER SHOCK	HEBA-SSEC PJT,PP,L215,80N	2	PC	SC
14	DC97-14263A	ASSY BOLT	MOTOR/BOLT(M8)+WASHER(OD27.5),	2	PC	SA
15	6011-003934	BOLT-HEX	M7.6,L48,ZPC(WHT),SCM 435,WASHE	6	PC	SA
16	DC97-16008A	ASSY WEIGHT BALANCER-LEFT	SCOUT-PJT,WF08	1	PC	SA



---

Drawing No.	Code No.	Description	Specification	QTY	Unit	SA/SNA
17	DC97-18524A	ASSY WEIGHT BALANCER-RIGHT	HEBA,6.5KG,PE	1	PC	SA

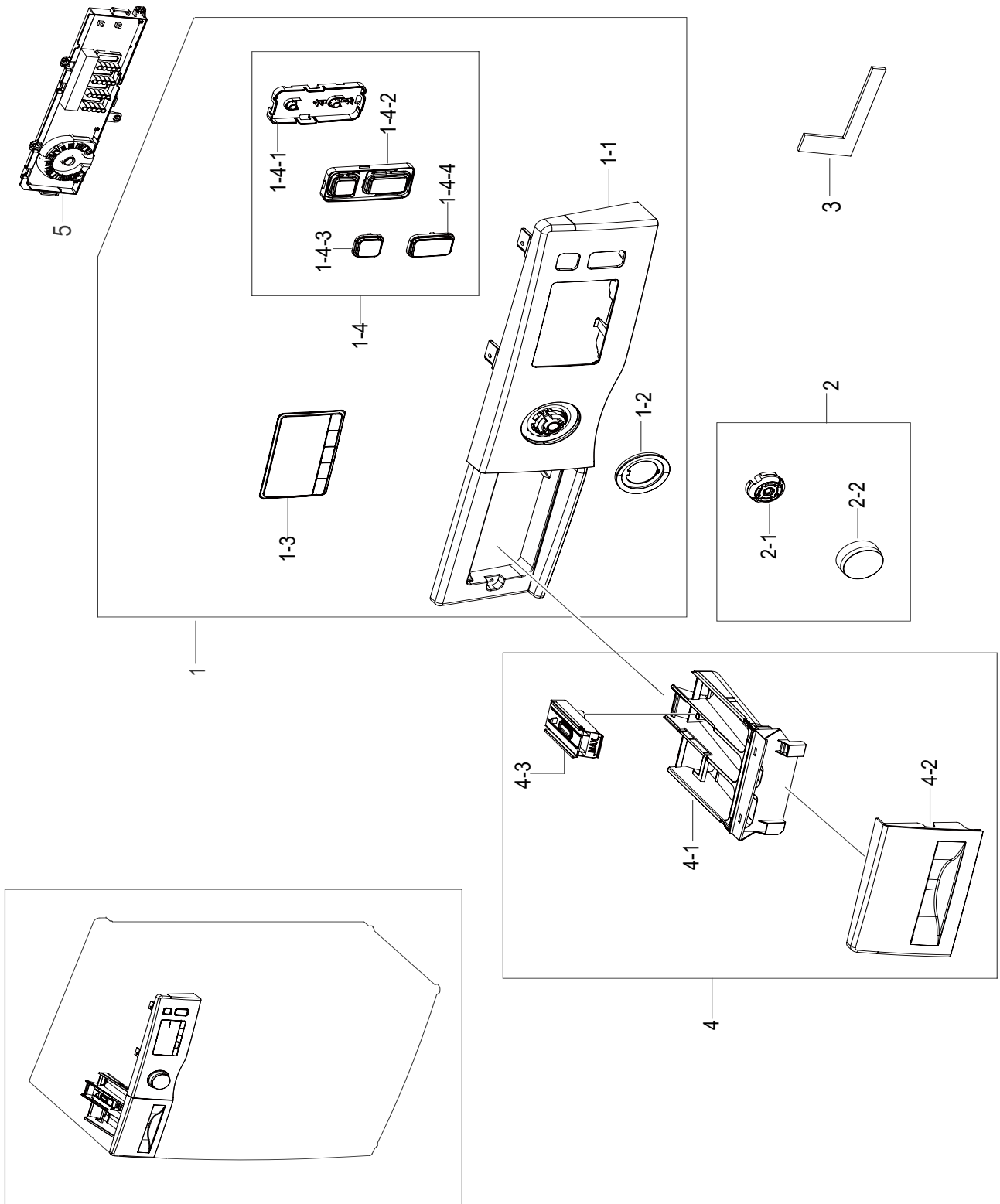
# 4. ASS'Y FRAME FRONT



**MODEL CODE:WD80J5430AW/EF****Service Bom (SA: SERVICE AVAILABLE, SNA: SERVICE NOT AVAILABLE)**

<b>Drawing No.</b>	<b>Code No.</b>	<b>Description</b>	<b>Specification</b>	<b>QTY</b>	<b>Un</b>	<b>SA/SNA</b>
1	DC97-18547A	ASSY DOOR	COMBO,STD	1	PC	SNA
1-1	DC97-18550A	ASSY HOLDER GLASS	COMBO,VERSAILLES GRAY(	1	PC	SA
1-1-1	DC61-03974D	HOLDER GLASS	WD5,6000J,PP,VERSAILLES GRA	1	PC	SNA
1-1-2	DC61-00891A	GUIDE HINGE	HAUZEN(DOM),POM,-,-,-,WHT,HI	2	PC	SA
1-1-3	DC61-03972A	HINGE DOOR	ALDC,T3.5,Metalic silver,-	1	PC	SA
1-1-4	DC61-01915D	BRACKET HOLDER	GI-SGCC,T1.2,-	1	PC	SNA
1-1-6	DC66-00816A	LEVER DOOR	ZNDC,T5.0,-,-,NI COATING	1	PC	SA
1-1-7	DC61-02027A	SPRING ETC LEVER	STAINLESS-ST304,CD1.2,	1	PC	SA
1-1-9	DC64-00564A	HANDLE PIN	WF602U2BKWQ/SC,STS304,NATURE	1	PC	SA
1-1-10	6002-000445	SCREW-TAPPING	TH,+ ,NO,2,M4,L18,PASS,STS4	4	PC	SNA
1-1-11	6009-001522	SCREW-HEX	HWH,+ ,M5,L16,PASS,STS430,FP,SE	2	PC	SA
1-2	DC64-01521A	DOOR GLASS	WF8804DP,GLASS,T5.0,H120.5,NA	1	PC	SA
1-3	DC97-18865A	ASSY COVER DOOR	WD6000J,WD90J6410AW/EU	1	PC	SA
1-3-1	DC63-01830A	COVER DOOR	WD5,6000J,ABS+PMMA,T3.5,GENTL	1	PC	SNA
1-3-2	DC63-01843A	COVER GLASS	WD5,6000J,ABS,T2.5,VERSAILLE	1	PC	SNA
2	DC97-18717B	ASSY FRAME FRONT	WW6000,WW80J6413CW/SC,D	1	PC	SA
2-1	DC61-03958G	FRAME FRONT	EGI-SECD,-,DA WHITE,T0.8,WT9	1	PC	SNA
3	DC61-03967B	GUIDE FILTER	PP,T2.0,TB53,NEAT WHITE	1	PC	SA
4	DC63-00920A	COVER-FILTER	WF8500NHW,ABS,T2.5,-,DA WHI	1	PC	SA
5	DC34-00026A	SWITCH DOOR LOCK	AC250V,16,SOLNOID, DOOR	1	PC	SA
6	DC61-01919A	BRACKET HINGE	WF8804DP,GI-SGCC,T1.4,L161	1	PC	SA
7	DC91-12078D	ASSY WIRE DIAPHRAGM	HEBA-PJT,-,-,-,-,-	1	PC	SA

# 5.ASSY PANEL CONTROL

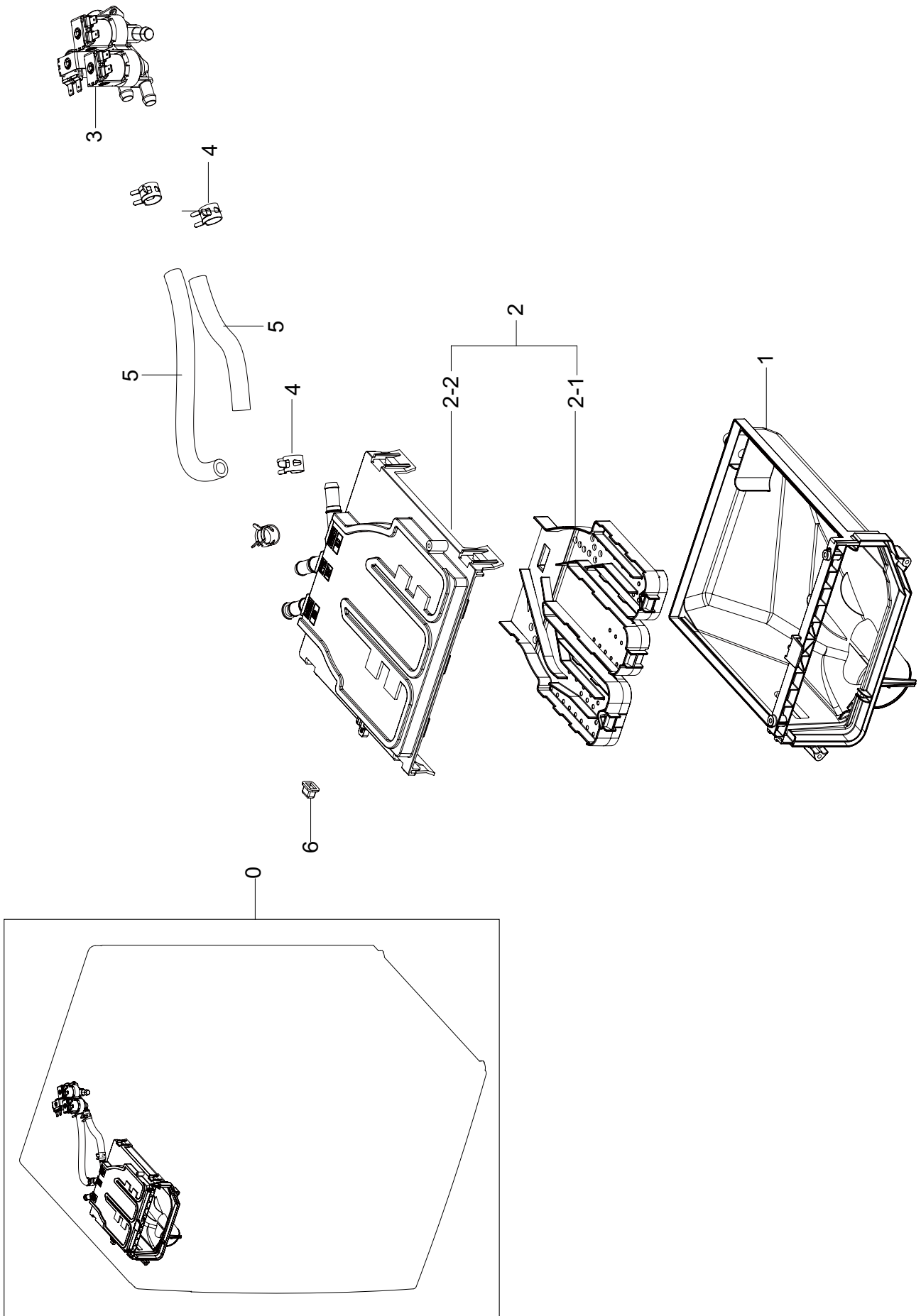


## MODEL CODE:WD80J5430AW/EF

Service Bom (SA: SERVICE AVAILABLE, SNA: SERVICE NOT AVAILABLE)

Drawing No.	Code No.	Description	Specification	QTY	Un	SA/SNA
1	DC97-18714Z	ASSY PANEL CONTROL	WD80J5430AW/EF,FRENCH	1	PC	SA
1-1	DC64-02853A	PANEL CONTROL	F500E,ABS,-,HG-0760GP,DA W	1	PC	SNA
1-2	DC64-02856B	WINDOW ENCODER	ABS+PMMA,HB,TF-0930,GRAY	1	PC	SNA
1-3	DC64-03286B	WINDOW PANEL	WD5000J,PMMA,FT6120,CLEAR T	1	PC	SNA
1-4	DC97-17392A	ASSY BUTTON	WF80F50FU4W/EF	1	PC	SNA
1-4-1	DC63-01543A	COVER-BUTTON(L)	F500E,ABS,T2.0,-,DA WHIT	1	PC	SNA
1-4-2	DC64-02920A	BUTTON PUSH-POWER	F500E,ABS,-,DA WHITE,W	1	PC	SNA
1-4-3	DC64-02921A	DECORATION BUTTON-POWER	F500E,PMMA,-,-,C	1	PC	SNA
1-4-4	DC64-02922A	DECORATION BUTTON-START	F500E,PMMA,-,-,C	1	PC	SNA
2	DC97-17318C	ASSY KNOB ENCODER	H800E	1	PC	SA
2-1	DC64-02863A	KNOB ENCODER	F500E,ABS,HB,NEAT WHITE,WT0	1	PC	SNA
2-2	DC64-02864D	DECORATION ENCODER	ABS+PMMA,T4.0,HB,EBON	1	PC	SNA
3	DC93-00540A	ASSY SENSOR	F500 IML BEST,5V,7-BUTTON,TO	1	PC	SA
4	DC97-17310A	ASSY DRAWER	F500E,WF80F50FU4W,8kg, DA WH	1	PC	SNA
4-1	DC61-03480A	BODY DRAWER	WF-F500E,PP,DA WHITE,WT0035,	1	PC	SA
4-2	DC64-02858M	PANEL DRAWER	ABS,HB,HG0760GP,DA WHITE,WT	1	PC	SA
4-3	DC67-00669A	CAP RINSE	WF-F500E,PP,-,-,MT43,Honesty B	1	PC	SA
5	DC92-01787C	ASSY PCB DISPLAY	FWM_INV,WD5000J,327X75,	1	PC	SA

# 6.ASSY HOUSING DRAWING

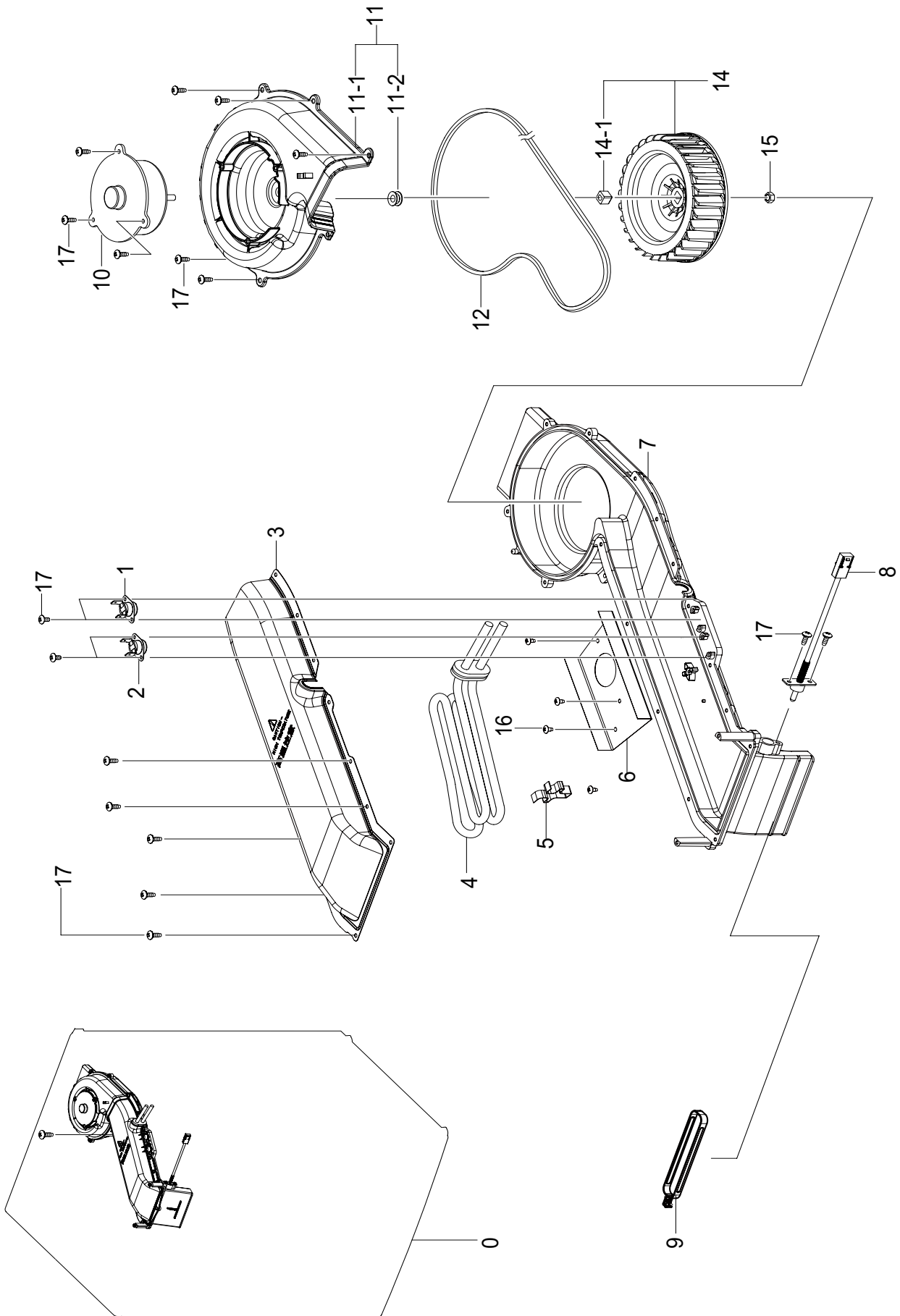


---

**MODEL CODE:WD80J5430AW/EF****Service Bom (SA: SERVICE AVAILABLE, SNA: SERVICE NOT AVAILABLE)**

Drawing No.	Code No.	Description	Specification	QTY	Unit	SA/SNA
0	DC97-18573D	ASSY HOUSING DRAWER	WD5000J,8KG	1	PC	SNA
1	DC61-02663B	HOUSING DRAWER-LOW	PP,T1.8,NATURAL,HB,FC	1	PC	SA
2	DC97-17347A	ASSY S.HOUSING DRAWER	F500E,WF80F5E5U4W	1	PC	SA
2-1	DC61-03474A	HOUSING DRAWER-MIDDLE	WF-F500E,PP,-,NATU	1	PC	SNA
2-2	DC61-03475A	HOUSING DRAWER-UP	WF-F500E,PP,-,NATURAL,	1	PC	SNA
3	DC62-00233B	VALVE WATER	AC220-240V,Bracket,1in 3out,	1	PC	SA
4	DC65-00008B	CLAMPER HOSE	SSEC-GE,SK5,-,Dacromet,T1.0	4	PC	SNA
5	DC67-00051B	HOSE DRAWER	Q1636GW/XEU,EPDM,ID9.0,OD14.	0.56	M	SNA
6	DC67-00327A	CAP DRAWER HOOK	HEBA-PJT,EPDM,T1.1,W13.9	1	PC	SNA
7	DC62-00182A	NOZZLE CONNECTOR-UP	POM,NATURAL,TS-2 PJT	2	PC	SNA
8	DC62-00167A	NOZZLE BALL	Q1636GW,SILICON,-,-,-,-,TS	2	PC	SNA
9	DC62-00183A	NOZZLE CONNECTOR-LOW	POM,NATURAL	2	PC	SNA

# 7. ASS'Y DUCT SCROLL





**MODEL CODE:WD80J5430AW/EF****Service Bom (SA: SERVICE AVAILABLE, SNA: SERVICE NOT AVAILABLE)**

Drawing No.	Code No.	Description	Specification	QTY	Unit	SA/SNA
0	DC93-00342C	ASSY DUCT SCROLL	WD7000J,8KG,220V	1	PC	SA
1	DC47-00016B	THERMOSTAT	AC125/250V,25A,125,-35,S.O.D,	1	PC	SNA
2	DC47-00016C	THERMOSTAT	AC125/250V,16A,125,-35,MANUAL	1	PC	SNA
3	DC61-03424A	HOUSING FAN-UP FRONT	SEINE-COMBO 8KG,STS	1	PC	SNA
4	DC47-00008F	HEATER DRY	AC230V,1600W,INCOLOY800,897mm	1	PC	SA
5	DC61-02526A	BRACKET HEATER	AEGIS-COMBO,STAINLESS-STS	1	PC	SNA
6	DC63-01162A	COVER-HOUSING	WD0704CQR,STAINLESS-STS430	1	PC	SNA
7	DC61-03919A	HOUSING FAN-LOW	WD7000,ALDC,T2.0,NATURAL	1	PC	SNA
8	DC32-00004C	THERMISTOR	DRYER,-20℃ ~ 170℃,5,5,3.3k+5%	1	PC	SNA
9	DC66-00782A	JOINT DIAPHRAGM	EGI-SECC,T1.0	1	PC	SNA
10	DC31-00032D	MOTOR BLDC-FAN	DL-7806SSWC,1700,17.5VDC,	1	PC	SA
11	DC93-00577A	ASSY COVER HOUSING	SEINE COMBO	1	PC	SA
11-1	DC61-02527A	HOUSING FAN-UP REAR	AEGIS-COMBO,PA,T3.0,	1	PC	SA
11-2	DC62-00450A	SEAL WATER	NBR,BLACK,-	1	PC	SNA
12	DC69-01039K	PACKING-DUCT	SEINE-COMBO,Rubber,DUCT SEA	1	PC	SNA
14	DC67-00440A	FAN DRY	AEGIS-COMBO,PA66,PI 133,28 TURNS	1	PC	SA
14-1	DC61-01096A	BUSH FAN	ZNDC,INSERT-PART	1	PC	SNA
15	6021-000225	NUT-HEXAGON	2C,M6,ZPC(YEL),SM20C	1	PC	SA
16	6002-000239	SCREW-TAPPING	TH,+ ,NO,2S,M4,L8,ZPC(WHT),	4	PC	SNA
17	6006-001174	SCREW-TAPPING	TH,+ ,WT,2S,M4,L12,ZPC(WHT)	29	PC	SNA

## 8.SCREW LIST

MODEL CODE:WD80J5430AW/EF

Service Bom (SA: SERVICE AVAILABLE, SNA: SERVICE NOT AVAILABLE)

Drawing No.	Code No.	Description	Specification	QTY	Unit	SA/SNA
1	6002-000213	SCREW-TAPPING	TH,+,2,M4,L12,ZPC(WHT),SWR	1	PC	SNA
2	6002-000445	SCREW-TAPPING	TH,+,NO,2,M4,L18,PASS,STS4	6	PC	SNA
3	6002-001438	SCREW-TAPPING	HWH,+,NO,1,M5,L12,ZPC(WHT)	2	PC	SNA
4	6003-000226	SCREW-TAPTYPE	TH,+,-,S,M4,L8,ZPC(WHT),SW	2	PC	SNA
5	6003-001768	SCREW-TAPTYPE	TH,+,WT,S,M4,L10,ZPC(WHT),	1	PC	SNA
6	6006-001174	SCREW-TAPPING	TH,+,WT,2S,M4,L12,ZPC(WHT)	5	PC	SNA
7	6009-001343	SCREW-SPECIAL	PH,TORX,M4,L12,ZPC(WHT),SW	1	PC	SNA
8	6002-000520	SCREW-TAPPING	TH,+,-,2,M4,L12,ZPC(WHT),S	1	PC	SNA
9	6001-000115	SCREW-MACHINE	BH,+,-,M3,L10,ZPC(WHT),SWR	3	PC	SNA
10	6001-000115	SCREW-MACHINE	BH,+,-,M3,L10,ZPC(WHT),SWR	1	PC	SNA
11	6001-000115	SCREW-MACHINE	BH,+,-,M3,L10,ZPC(WHT),SWR	1	PC	SNA
12	6002-000239	SCREW-TAPPING	TH,+,NO,2S,M4,L8,ZPC(WHT),	4	PC	SNA
13	6006-001174	SCREW-TAPPING	TH,+,WT,2S,M4,L12,ZPC(WHT)	26	PC	SNA
14	6002-001436	SCREW-TAPPING	PH,+,2,M4,L18,ZPC(WHT),SWR	3	PC	SNA
15	DC97-14006C	ASSY SCREW	GRIFFIN-PJT,WF9904RWE,SWRCH18	2	PC	SA
16	DC97-15858A	ASSY SCREW	trumph-PJT,WF-F1061/YLP,SWRCH	2	PC	SNA
17	6002-000213	SCREW-TAPPING	TH,+,2,M4,L12,ZPC(WHT),SWR	4	PC	SNA
18	6003-001768	SCREW-TAPTYPE	TH,+,WT,S,M4,L10,ZPC(WHT),	2	PC	SNA
19	6006-001174	SCREW-TAPPING	TH,+,WT,2S,M4,L12,ZPC(WHT)	5	PC	SNA
20	6002-001327	SCREW-TAPPING	PWH,+,1,M4,L12,ZPC(WHT),SW	6	PC	SNA
21	6006-001174	SCREW-TAPPING	TH,+,WT,2S,M4,L12,ZPC(WHT)	2	PC	SNA
22	DE60-10080A	SCREW-TAPPING	PWH,+,-,2S,M5,L9,-,SWRCH18	2	PC	SNA
23	6002-000445	SCREW-TAPPING	TH,+,NO,2,M4,L18,PASS,STS4	4	PC	SNA
24	6006-001174	SCREW-TAPPING	TH,+,WT,2S,M4,L12,ZPC(WHT)	2	PC	SNA
25	6002-000520	SCREW-TAPPING	TH,+,-,2,M4,L12,ZPC(WHT),S	1	PC	SNA
26	6002-001554	SCREW-TAPPING	BH,+,No,1,M4,L12,STS430,HE	2	PC	SNA
27	6002-001006	SCREW-TAPPING	TH,+,-,2S,M4,L12,PASS,STS4	3	PC	SNA
28	6002-000213	SCREW-TAPPING	TH,+,2,M4,L12,ZPC(WHT),SWR	1	PC	SNA
29	6002-001554	SCREW-TAPPING	BH,+,No,1,M4,L12,STS430,HE	2	PC	SNA
30	6009-001522	SCREW-HEX	HWH,+,M5,L16,PASS,STS430,FP,SE	2	PC	SA
31	6002-000239	SCREW-TAPPING	TH,+,NO,2S,M4,L8,ZPC(WHT),	2	PC	SNA

---

<b>Drawing No.</b>	<b>Code No.</b>	<b>Description</b>	<b>Specification</b>	<b>QTY</b>	<b>Unit</b>	<b>SA/ SNA</b>
32	6002-000630	SCREW-TAPPING	PH,+,NO,2S,M3,L8,ZPC(WHT),	2	PC	SNA
33	6002-001554	SCREW-TAPPING	BH,+,No,1,M4,L12,STS430,HE	4	PC	SNA
34	6002-000445	SCREW-TAPPING	TH,+,NO,2,M4,L18,PASS,STS4	4	PC	SNA