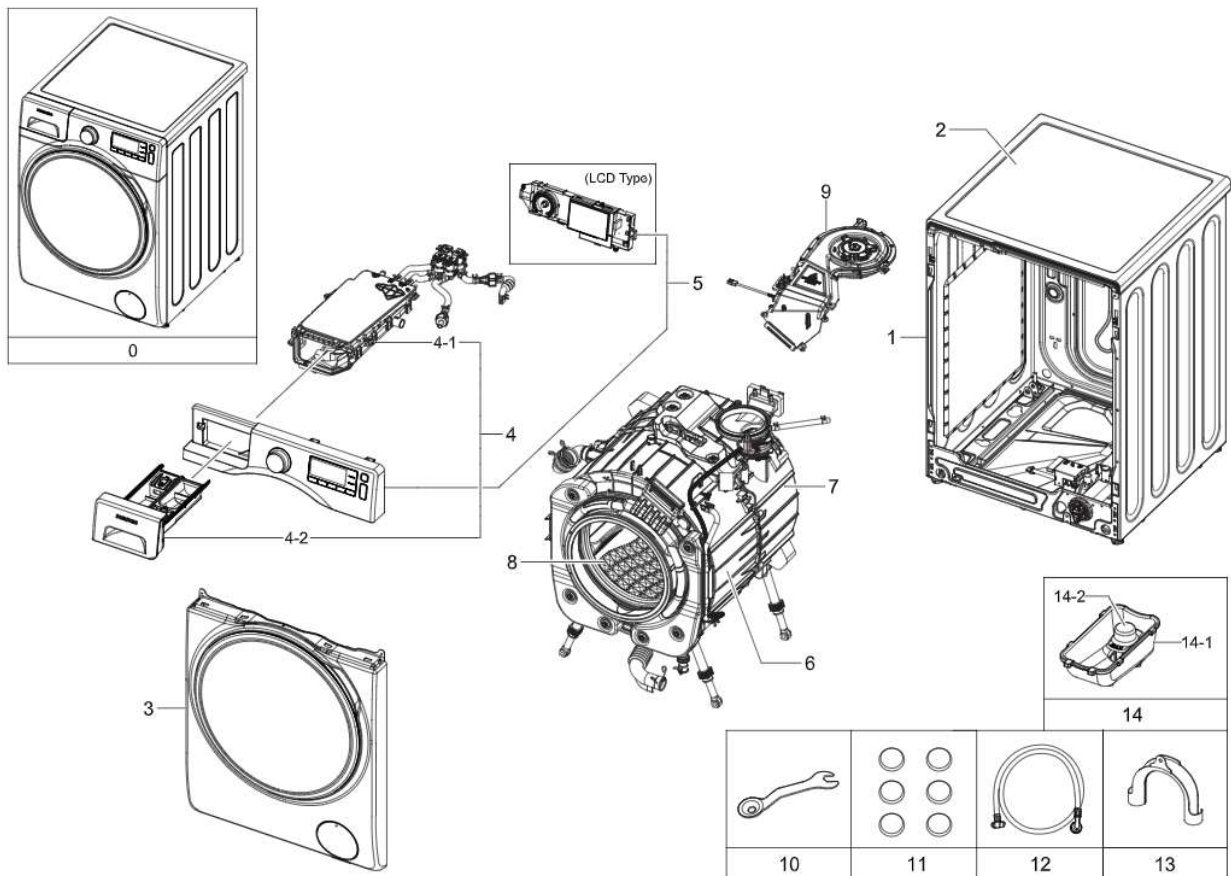


1. Main

Exploded View

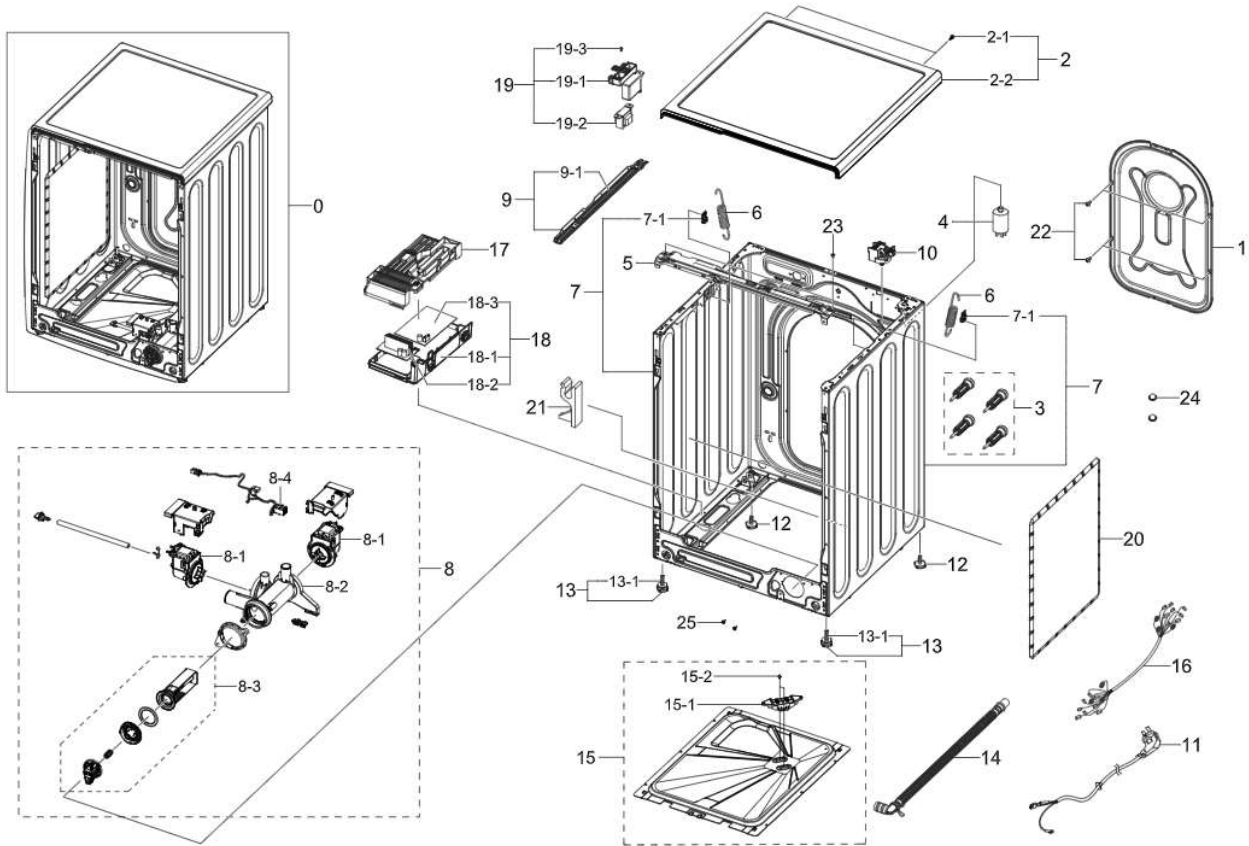


Parts List

No.	Lvl.	Loc.	Material Code	Description & Specification	SNA	Qty.
1	2	WF0004	DC97-16703L	ASSY FRAME; F900C,DA WHITE	SA	1
2	1	WF0003	DC90-16197A	ASSY COVER TOP; WD12F9C9U4W/EU	SNA	1
3	1	WF0009	DC90-17283A	ASSY FRONT; WD8000J	SNA	1
4	1	WR0005	DC90-17314A	ASSY DRAWER; WD8000J	SNA	1
4-1	2	WR0008	DC97-17909A	ASSY HOUSING DRAWER; ARNO F900C,WD12F9C9U	SA	1
4-2	2	WR0005	DC97-18044A	ASSY DRAWER; H800E	SA	1
5	1	WC0016	DC90-19611A	ASSY PANEL CONTROL; WD12J8400GW/EG	SNA	1
6	1	WT0008	DC90-17121A	ASSY TUB FRONT; WD8000J	SNA	1
7	1	WT0007	DC90-17681A	ASSY TUB BACK; WD8000J	SNA	1
8	1	WG0004	DC90-15148A	ASSY DRUM; H800E	SNA	1
9	2	WY0016	DC93-00440A	ASSY DUCT SCROLL; WD-F900C,WD12F9C9U4X	SA	1
10	2	WJ5077	DC60-40146A	BOLT SPANER; CR,T2.5,-	SA	1

2. Assy Frame&Cover Parts

Exploded View

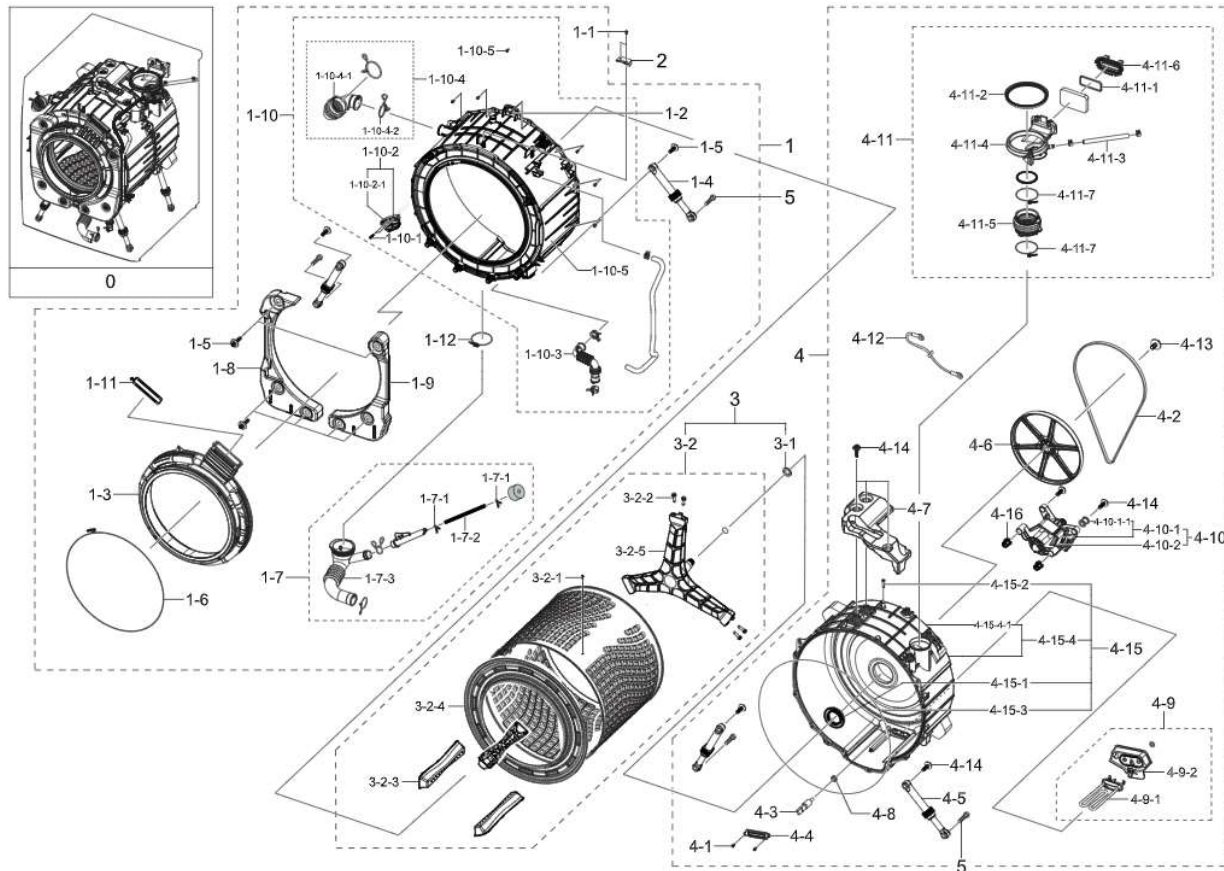


Parts List

No.	Lvl.	Loc.	Material Code	Description & Specification	SNA	Qty.
1	2	WF0002	DC97-16695A	ASSY COVER BACK; ARNO,WF1124ZAC/XEF	SA	1
2	1	WF0003	DC90-16197A	ASSY COVER TOP; WD12F9C9U4W/EU	SNA	1
2-1	2	WX0490	6002-001431	SCREW-TAPPING; HEX,+,2,M5,L16,ZPC(WHT),SW	SA	2
2-2	2	WF0003	DC97-16691Y	ASSY COVER TOP; F900C,WD12F9C9U4W/EU,DA W	SNA	1
3	2	WJ5109	DC97-14653C	ASSY FIXER TUB; SCOUT,WF0804Y8E/XEF	SA	4
4	2		DC29-00023A	FILTER EMI; AC 250V,15A,53*96.5*PI53,200K	SA	1
5	2	WF0008	DC97-16692B	ASSY FRAME PLATE(U); F900C,WD12F9C9U4X	SA	1
6	2	WF0102	DC61-03099A	SPRING ETC-HANGER; ARNO,HSWR-SWRH,CD4.2,O	SA	2
7	2	WF0004	DC97-16703L	ASSY FRAME; F900C,DA WHITE	SA	1
7-1	3	WI0266	DC61-02065A	GUIDE SPRING; WF448AAG/XXA,POM,T4,W24,L36	SA	2

3. Assy Tub&Drum

Exploded View

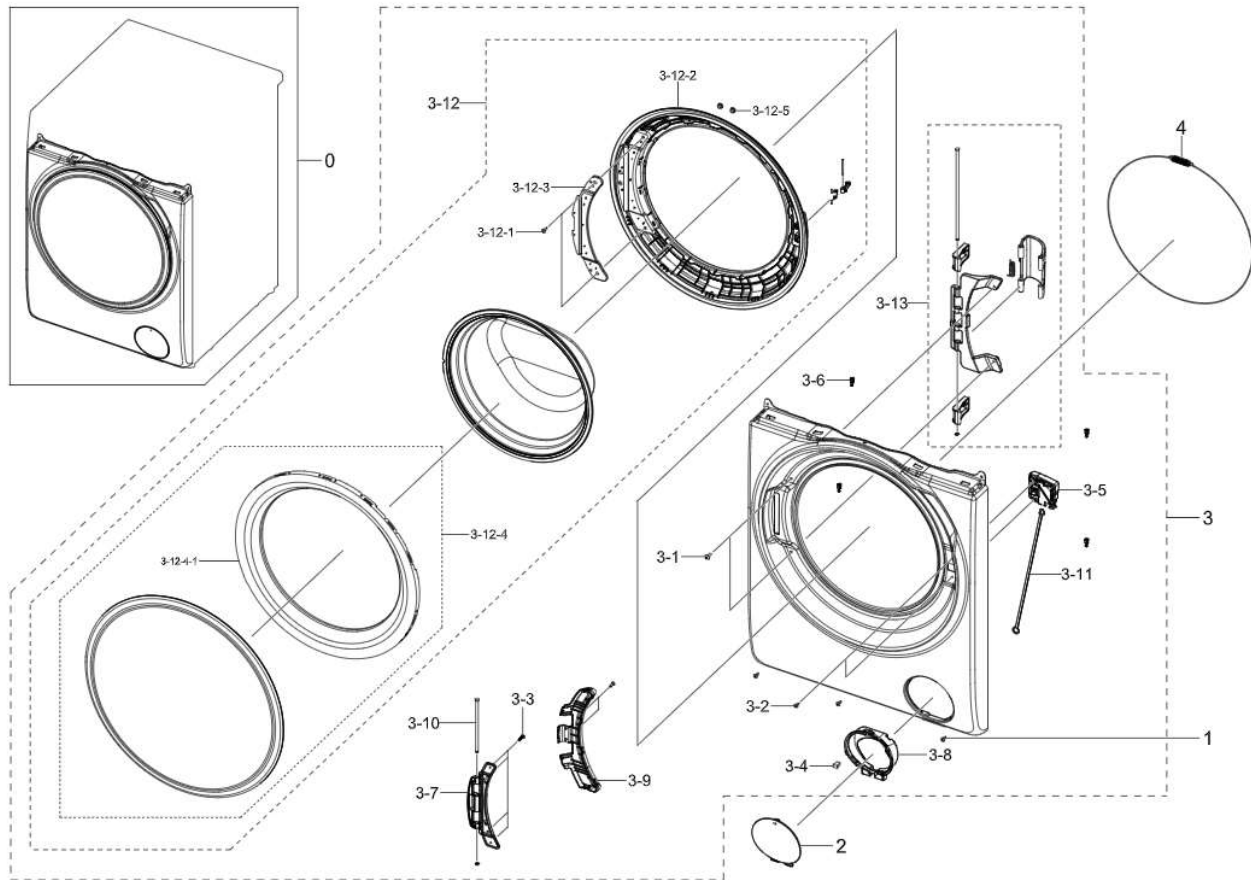


Parts List

No.	Lvl.	Loc.	Material Code	Description & Specification	SNA	Qty.
1	1	WT0008	DC90-17121A	ASSY TUB FRONT; WD8000J	SNA	1
1-1	2	WX0622	6002-001306	SCREW-TAPPING; TH,+,1,M4,L14,ZPC(WHT),SWR	SA	1
1-2	2	WX0520	6009-001367	SCREW-HEX; HWH,+,-,M6.5,L32,ZPC(WHT),SWRC	SA	14
1-3	2		DC64-03181A	DOOR DIAPHRAGM; WD8000J,EPDM,-,-,-	SA	1
1-4	2	WB5214	DC66-00343K	DAMPER SHOCK; GE24"-PJT,PP,60N,W24,BLACK,	SA	2
1-5	2	WJ5013	DC97-14263A	ASSY BOLT; MOTOR/BOLT(M8)+WASHER(OD27.5),	SA	8
1-6	2		DC97-14618G	ASSY CLAMP DIAPHRAGM; H900E,HSWR	SA	1
1-7	2		DC97-16644B	ASSY HOSE PRESSURE; No PBA, No Hook	SA	1
1-7-1	3	WP0165	DC61-70029C	CLIP RING; SEW-HW125,HSWR-SWRH,WHITE	SA	2

4. Assy Front

Exploded View

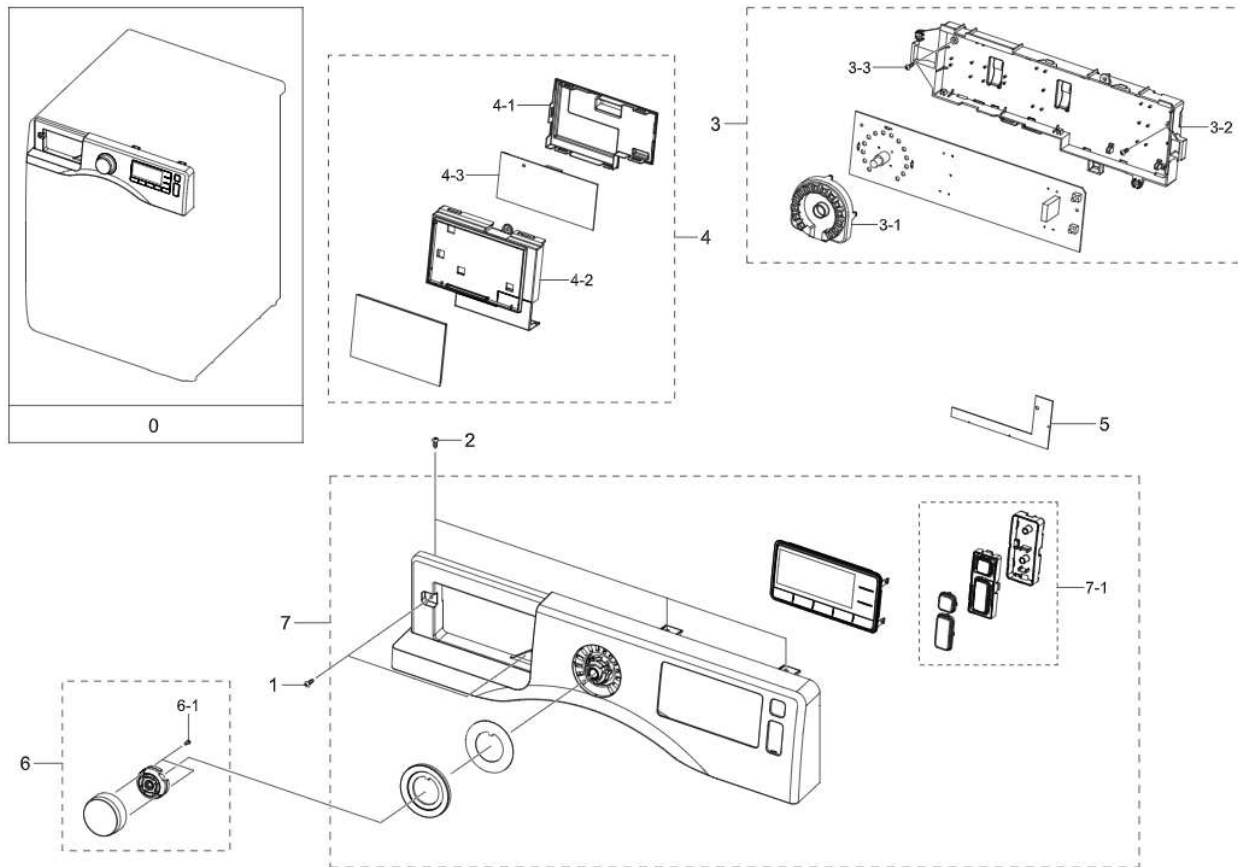


Parts List

No.	Lvl.	Loc.	Material Code	Description & Specification	SNA	Qty.
0	1	WF0009	DC90-17283A	ASSY FRONT; WD8000J	SNA	1
1	2	WX0441	6002-000520	SCREW-TAPPING; TH,+,-,2,M4,L12,ZPC(WHT),S	SA	3
2	2		DC63-01720A	COVER FILTER; WW9000HE,ABS,T3.0,HB,DA WHI	SA	1
3	2	WF0005	DC97-18455A	ASSY FRAME FRONT; WD800J,BASIC,WHITE	SA	1
3-1	3	WX0403	6001-001668	SCREW-MACHINE; TH,+,M5,L16,PASS,STS430,FP	SA	2
3-2	3	WX0621	6002-000444	SCREW-TAPPING; TH,+,2,M4,L14,PASS,STS430	SA	2
3-3	3	WX0427	6002-000445	SCREW-TAPPING; TH,+,NO,2,M4,L18,PASS,STS4	SA	4
3-4	3	WD0107	DA66-01072A	LATCH; LATOUR,POM,BLACK,DC LATCH	SA	1
3-5	3		DC34-00026A	SWITCH DOOR LOCK; AC250V,16,SOLNOID, DOOR	SA	1

5. Assy Panel Control

Exploded View

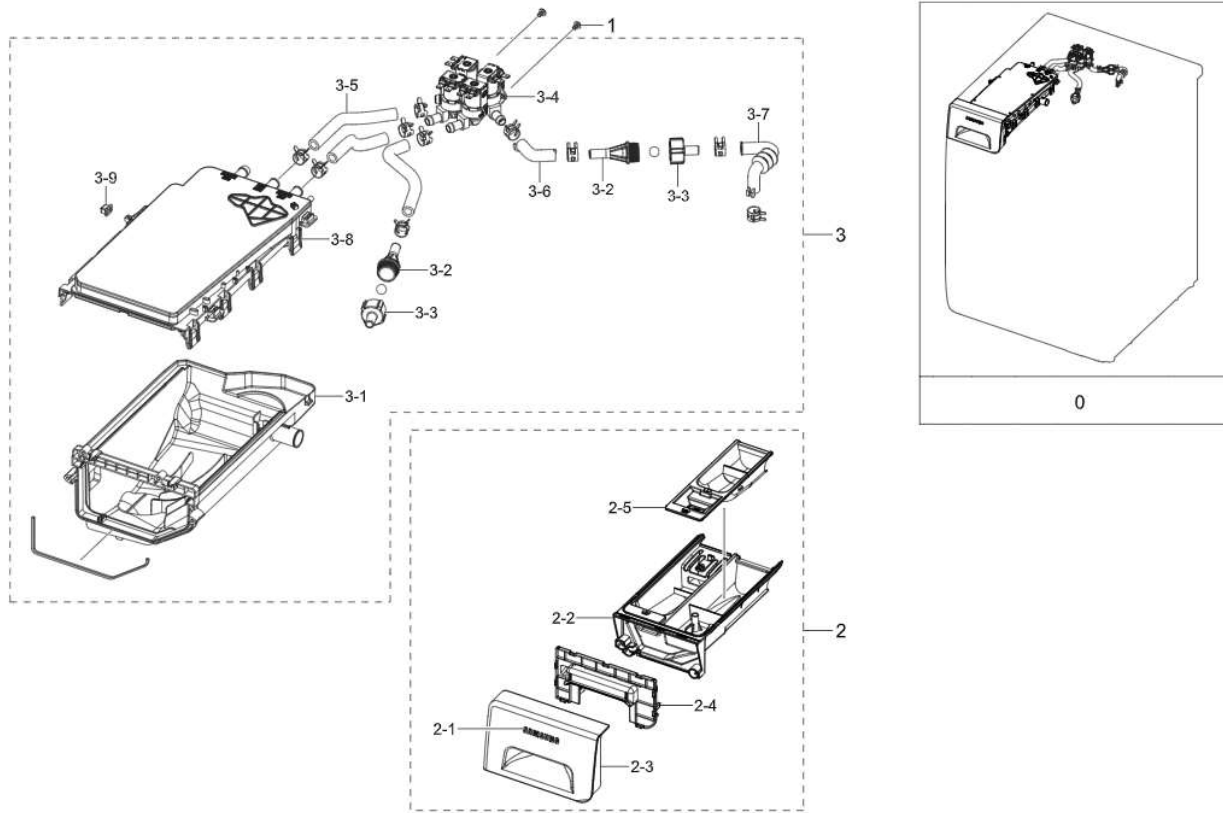


Parts List

No.	Lvl.	Loc.	Material Code	Description & Specification	SNA	Qty.
0	1	WC0016	DC90-19611A	ASSY PANEL CONTROL; WD12J8400GW/EG	SNA	1
1	2	WX0427	6002-000445	SCREW-TAPPING; TH,+,NO,2,M4,L18,PASS,STS4	SA	2
2	2	WX0441	6002-000520	SCREW-TAPPING; TH,+,-,2,M4,L12,ZPC(WHT),S	SA	3
3	2	WZ0025	DC92-01724A	ASSY PCB SUB; INV,WD8000J,317*82.5,-,-,-	SA	1
3-1	3	WP0088	DC61-03098A	BRACKET-ENCODER; ARNO,HIPS,T1.5,W75.8,L78	SA	1
3-2	3		DC63-01737A	COVER PCB-SUB; HIPS,T2.5,V0,-,F744	SA	1
3-3	3	WX0419	6002-000239	SCREW-TAPPING; TH,+,NO,2S,M4,L8,ZPC(WHT),	SA	2
4	2		DC92-01635B	ASSY MODULE; FWM_INV,WD8000J,LCD Wash, CO	SA	1
4-1	3		DC63-01744A	COVER PBA-LCD; HIPS,T2.5,V0,BLACK,F744	SA	1
4-2	3		DC63-01745A	COVER PCB-LCD; HIPS,T2.0,V0,F744	SA	1

6. Assy Drawer

Exploded View

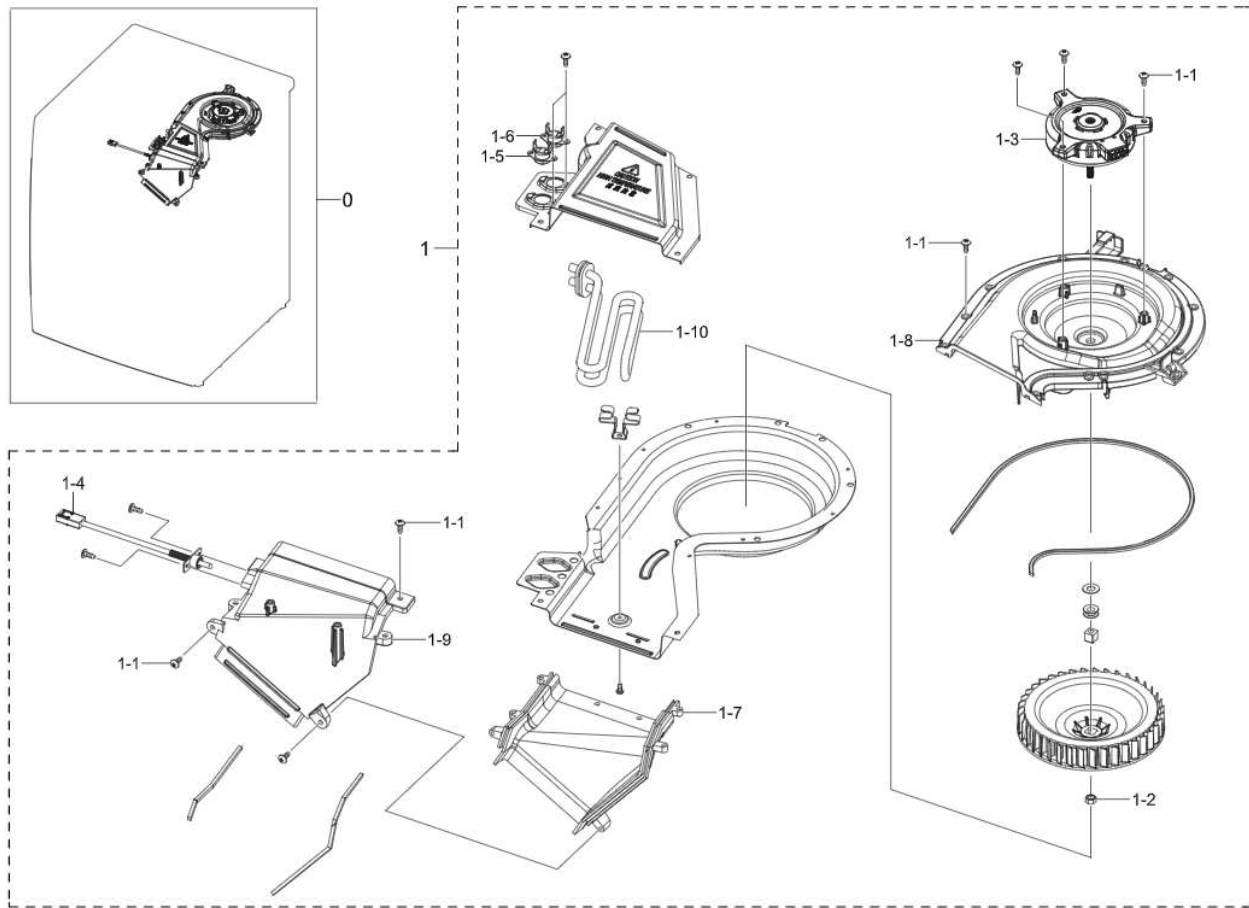


Parts List

No.	Lvl.	Loc.	Material Code	Description & Specification	SNA	Qty.
0	1	WR0005	DC90-17314A	ASSY DRAWER; WD8000J	SNA	1
1	2	WX0494	6003-000226	SCREW-TAPTYPE; TH,+,-,S,M4,L8,ZPC(WHT),SW	SC	2
2	2	WR0005	DC97-18044A	ASSY DRAWER; H800E	SA	1
2-1	3	WC0114	DA64-03804A	MASCOT; ALL,NICKEL,T0.05,L65	SA	1
2-2	3	WR0029	DC61-02580A	BODY DRAWER; WW8000H,PP,NEAT WHITE,WT0041	SA	1
2-3	3	WC0120	DC64-03081A	PANEL DRAWER; WW8000HE,ABS,-,HG0760GP,DA	SA	1
2-4	3	WR0037	DC64-03082A	HANDLE DRAWER; ABS,T2.0,HG0760GP,-,DA WHI	SA	1
2-5	3	WI0125	DC67-00452A	CAP RINSE; WF0800NCE,PP,-,MT43,HONESTY	SA	1
3	2	WR0008	DC97-17909A	ASSY HOUSING DRAWER; ARNO F900C,WD12F9C9U	SA	1
3-1	3		DC61-03085B	HOUSING DRAWER-LOW; PP,T1.8,NEAT WHITE,-,	SNA	1

7. Assy Duct Scroll

Exploded View



Parts List

No.	Lvl.	Loc.	Material Code	Description & Specification	SNA	Qty.
1	2	WY0016	DC93-00440A	ASSY DUCT SCROLL; WD-F900C,WD12F9C9U4X	SA	1
1-1	3	WX0441	6002-000520	SCREW-TAPPING; TH,+,-,2,M4,L12,ZPC(WHT),S	SA	17
1-2	3	WJ0055	6021-001664	NUT-HEXAGON; LEFT HAND SCREW,M6,Ni-Zn,SWR	SNA	1
1-3	3		DC31-00164A	MOTOR BLDC FAN; DWD00618BRA,2650,24V	SA	1
1-4	3	WE5180	DC32-00004C	THERMISTOR; DRYER,-20~ 1705,5,3.3	SA	1
1-5	3	WE5166	DC47-00016B	THERMOSTAT; AC125/250V,25A,125,-35,S.O.D,	SA	1
1-6	3	WE5165	DC47-00016C	THERMOSTAT; AC125/250V,16A,125,-35,MANUAL	SA	1
1-7	3		DC61-03703A	HOUSING FAN-LOW FRONT; ALDC,T2.5,NATURAL,	SNA	1