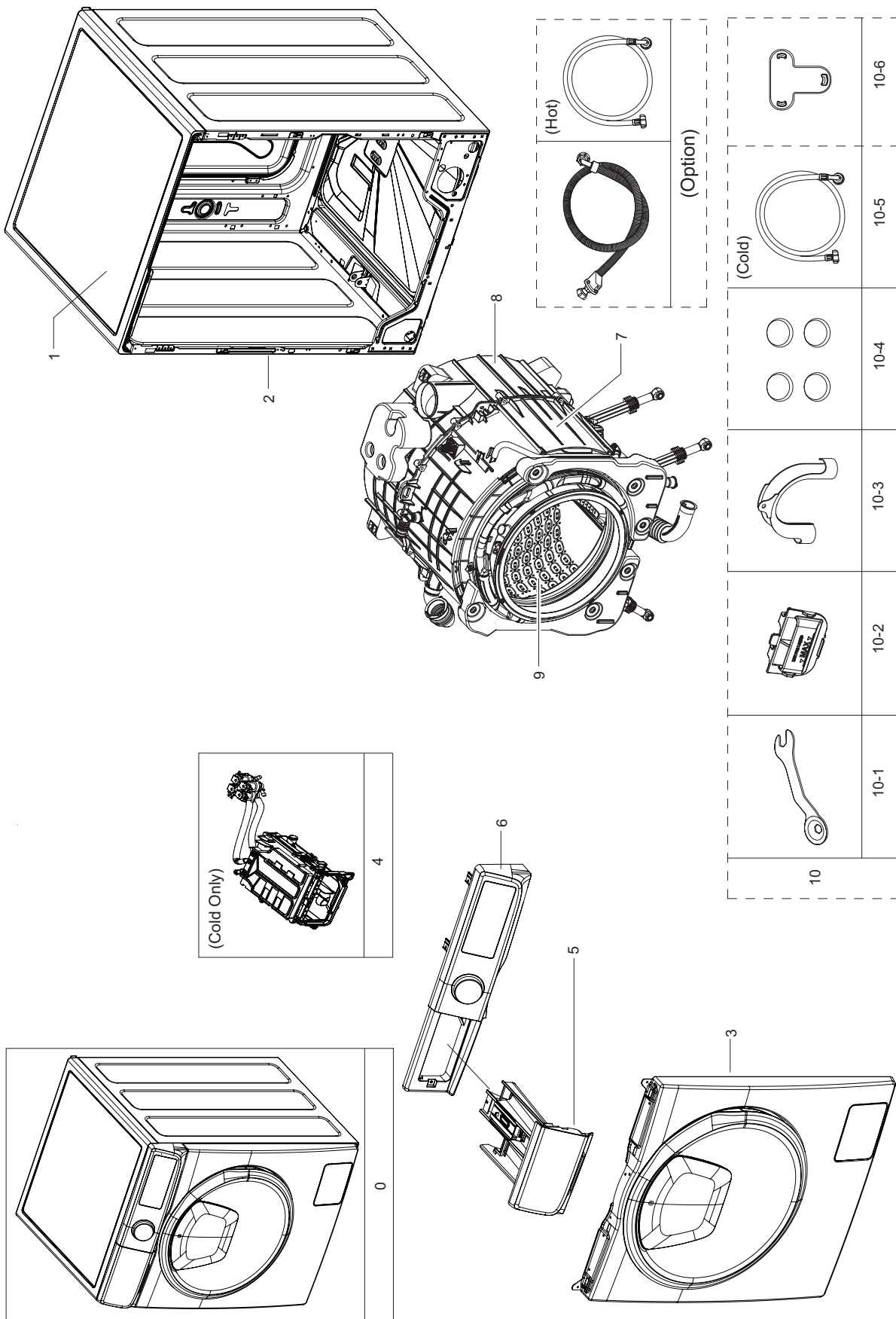


# 1. MAIN (WD11N64FRAX/ED)

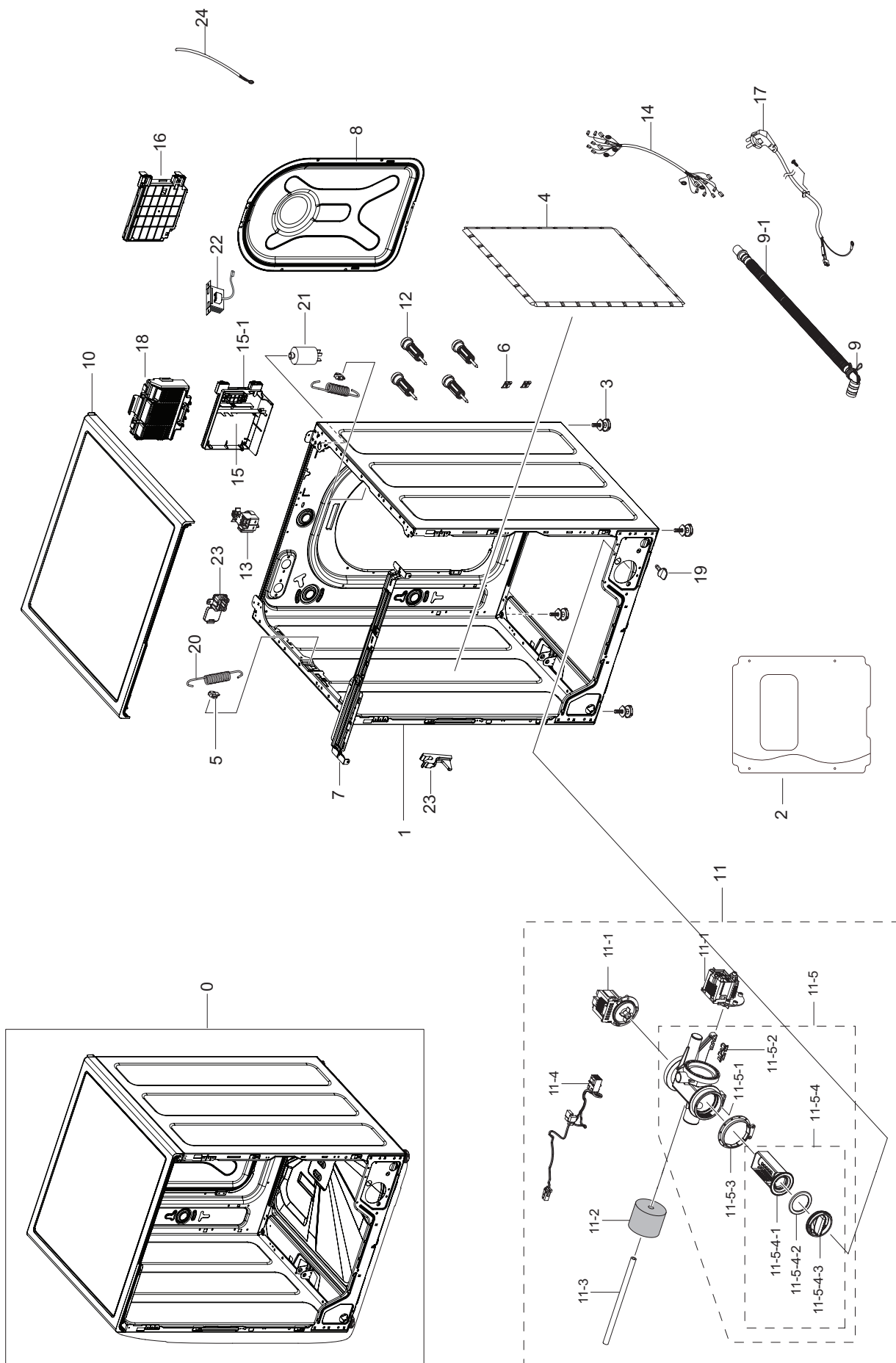


## MODEL CODE (WD11N64FRAX/ED )

Service Bom (SA: SERVICE AVAILABLE, SNA: SERVICE NOT AVAILABLE)

Drawing No.	Code No.	Description	Specification	QTY	Un	SA/SNA
0	-	WD11N64FRAX/ED	-	1	PC	SNA
1	DC97-18680S	ASSY COVER TOP	WD6800N,9KG,INOX GRAY	1	PC	SA
2	DC97-21137C	ASSY PAINT FRAME	WD6500N,WD10N64GR2X/SC,	1	PC	SA
3	-	FRAME FRONT & DOOR	-	1	-	-
4	DC97-20912E	ASSY HOUSING DRAWER	WD6800N,WD10N64FOOX/	1	PC	SNA
5	DC97-20762T	ASSY DRAWER	6500N,ENG,INOX GRAY,NO CAPA	1	PC	SNA
6	-	ASSY PANEL CONTROL & KNOB ENCODER	-	1	-	-
7	DC97-20524C	ASSY SEMI TUB FRONT	WD6800N,COMBO	1	PC	SA
8	DC97-20522G	ASSY SEMI TUB BACK	WD6500N	1	PC	SA
9	DC97-21039A	ASSY DRUM	WW10N644RPW/AH	1	PC	SA
10	DC98-02102A	ASSY ACCESSORY	WW3000~6000J,WW70J5210GW/	1	PC	SNA
10-1	DC60-00104A	FASTENER-BOLT	ALL,CR-SPCC,2.0,L113.5	1	PC	SA
10-2	DC61-03510A	GUIDE LIQUID	WF-F500E,PP,MT43,Honesty BI	1	PC	SA
10-3	DC62-10278A	HOSE HANGER	PUMP MODEL,PP,ID27,T1.5,HS95	1	PC	SA
10-4	DC67-00307A	CAP-FIXER	WF438AAC/XAA,PP,T1.5,RECYCLE,B	4	PC	SA
10-5	DC91-10229F	ASSY HOSE WATER	1.0MT/MM(COLD),-,STANDAR	1	PC	SA
10-6	DC67-00208B	CAP-FIXER	WF8602NHS/XFA,PP,T1.5,P535-H,B	1	PC	SA

## 2. ASSY FRAME & COVER PARTS (WD11N64FRAX/ED)



## MODEL CODE (WD11N64FRAX/ED)

Service Bom (SA: SERVICE AVAILABLE, SNA: SERVICE NOT AVAILABLE)

Drawing No.	Code No.	Description	Specification	QTY	Un	SA/SNA
0	-	FRAME & COVER PARTS	WD6500N	1	PC	SNA
1	DC97-20899M	ASSY FRAME	WD6500N,WD10N64GR2X/SC,GOLD	1	PC	SNA
2	DC64-03767A	SHUTTER	WW6800M,PP,WHITE	1	PC	SA
3	DC97-00920H	ASSY LEG	-,ALL EXCEPT AUSTRALI MODEL,L33	4	PC	SA
4	DC63-00477A	ABSORBER SOUND	WF-B146NV/XEG,FELT,T15,W3	2	PC	SNA
5	DC61-02065A	GUIDE SPRING	WF448AAG/XXA,POM,T4,W24,L36	2	PC	SA
6	DC61-01901A	GUIDE FRAME FRONT	ALL MODEL,POM,T5.5,K30	2	PC	SNA
7	DC97-18808B	ASSY FRAME PLATE-UP	WD7800N,WD90N6450OM/	1	PC	SA
8	DC63-00862C	COVER BACK	WF8600NMW,GI-SGCC,T0.35,W352,	1	PC	SA
9	DC97-20913B	ASSY HOSE DRAIN(O)	Heba,1870,ID20.5	1	PC	SA
9-1	DC67-00992A	HOSE PUMP	Heba,PP,ID20.5,T1,LIGHT GRAY	1	PC	SA
10	DC97-18680S	ASSY COVER TOP	WD6800N,9KG,INOX GRAY	1	PC	SA
11	DC97-15696N	ASSY PUMP DRAIN	Q-DRIVE,WD11N64FOOM/AX,B	1	PC	SNA
11-1	DC31-00181C	MOTOR AC PUMP	W/M,B15-3A,2Pole,120V,60Hz	2	PC	SA
11-2	DC63-10003A	SPONGE-HOSE AIR	T20,BLACK	1	PC	SNA
11-3	DC67-00244M	HOSE DRAIN	AEGIS,EPDM,ID6,OD10,T2.0,L270	1	PC	SA
11-4	DC96-01567C	ASSY WIRE HARNESS	AEGIS 3- PJT,WF0702WKN	1	PC	SA
11-5	DC97-19914A	ASSY CASE FILTER	BUBBLE	1	PC	SA
11-5-1	DC61-02271B	CASE PUMP	WF0804Y8E/XEF,PP,T2.5,W153.6,L	1	PC	SA
11-5-2	DC63-00905A	CUSHION PUMP	WF8802DPF/XET,NBR,W37.6,L11	1	PC	SNA
11-5-3	DC69-01128A	PACKING-PUMP	WF8804DP,IIR,BUTYL,T2.5,HEB	1	PC	SA
11-5-4	DC97-15695C	ASSY FILTER	Heba,WF9904CWN1	1	PC	SA
11-5-4-1	DC63-00998A	FILTER PUMP	SCOUT-PJT,PP,W52.8,L93.1,NEA	1	PC	SA
11-5-4-2	DC73-00022A	SEAL PACKING	SEW-HVR149ATA,EPDM,BLK,-	1	PC	SA
11-5-4-3	DC64-02783A	HANDLE FILTER	WF350ANW/XAA,PP,T2.3,W63.8	1	PC	SA
12	DC97-14653C	ASSY FIXER TUB	SCOUT,WF0804Y8E/XEF	4	PC	SA
13	DC96-01703G	SENSOR PRESSURE	Air,5V,L0,400mmH2O	1	PC	SA
14	DC93-00780E	ASSY WIRE HARNESS-MAIN	DRUM-M,WD12N64FRA	1	PC	SA
15	DC92-01380B	ASSY PCB MAIN	FWM_INV,WD9000JK/7000JK,39	1	PC	SNA
15-1	DC61-04698A	GUIDE COVER PCB	WW6500N,ABS,T3,5VA,VE-08	1	PC	SNA
16	DC92-02343H	ASSY PCB KIT	FWM,WD6500N,197*121,121*97,	1	PC	SA
17	DC96-00757A	POWER CORD-AT	SJT 3x16AWG 105C,GRY,US3S,	1	PC	SA
18	DC63-02270A	COVER PCB-MAIN	WW6500N,ABS,T3,5VA,NATURA	1	PC	SA

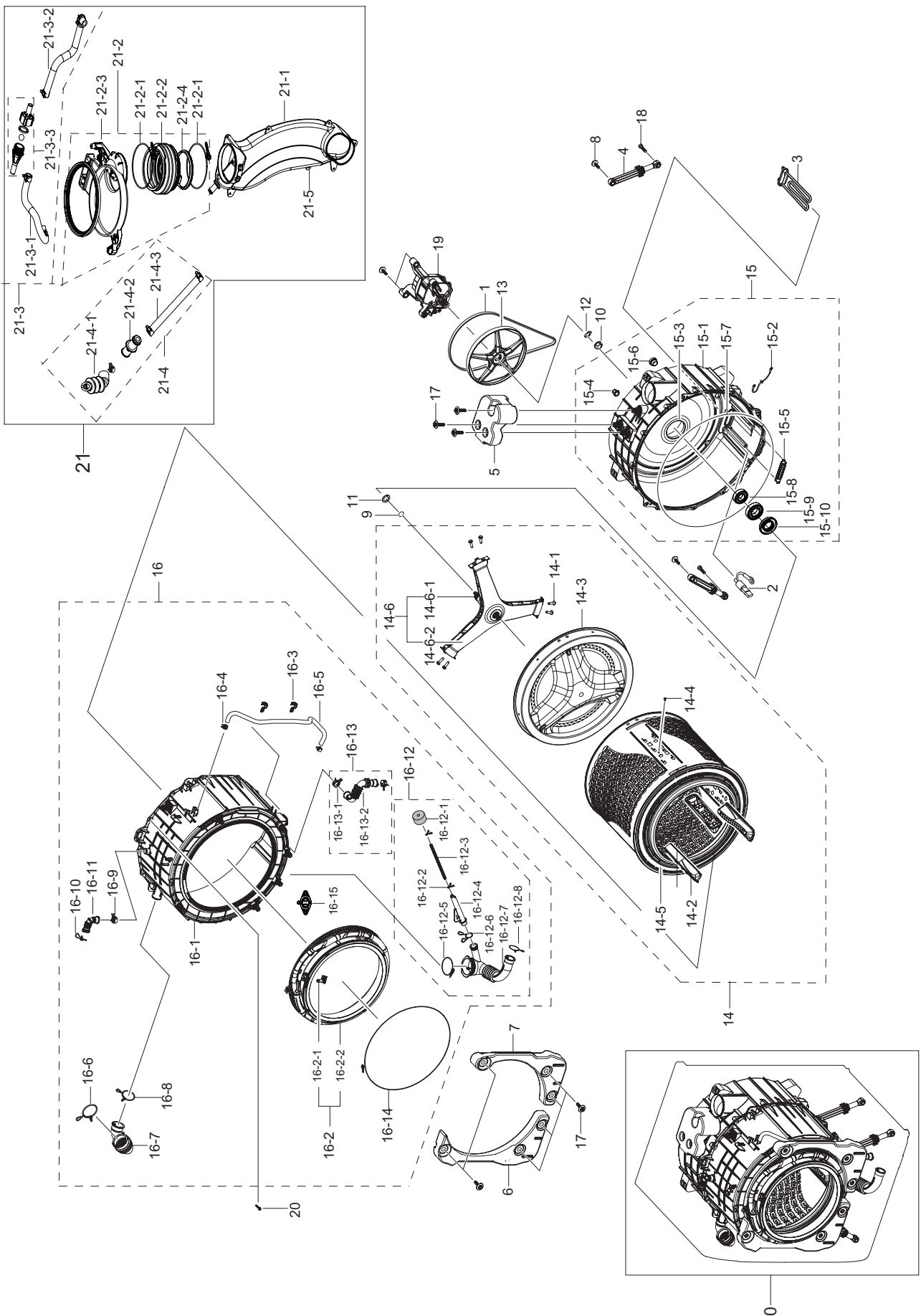
---

## MODEL CODE (WD11N64FRAX/ED)

Service Bom (**SA**: SERVICE AVAILABLE, **SNA**: SERVICE NOT AVAILABLE)

Drawing No.	Code No.	Description	Specification	QTY	Un	SA/SNA
19	DC61-10673C	CAP DRAIN	WF1802XEY/XSC,PP,NATURAL	1	PC	SA
20	DC61-02029D	SPRING HANGER	WW6800M,HSWR,3.5mm,OD26,L1	2	PC	SA
21	DC29-00015G	FILTER EMI	LFT-215G,300Khz,VDE, KS,6.5mH	1	PC	SA
22	DC26-00009R	COIL HARMONIC	2.5mH,±15%,EI 48mm S-30NA,	1	PC	SNA
23	DC61-02601A	GUIDE HOSE	SEINE COMBO 9.0kg,PS FOAM,WHI	1	PC	SA
24	DC96-01327D	ASSY WIRE HARNESS-EARTH	DRUM-M,WF1124ZAQ	1	PC	SA

### 3. ASSY TUB & DRUM PARTS (WD11N64FRAX/ED)



## MODEL CODE (WD11N64FRAX/ED)

Service Bom (SA: SERVICE AVAILABLE, SNA: SERVICE NOT AVAILABLE)

Drawing No.	Code No.	Description	Specification	QTY	Un	SA/SNA
1	6602-003993	BELT-TIMING GEAR	5J,RUBBER,T3.2,W11.7,L1	1	PC	SNA
2	DC32-00010C	THERMISTOR	WASHER,-10~100,5,5,3.243k ± 2	1	PC	SA
3	DC47-00006P	HEATER WASH	AC120V,900W,SUS316L,560mm,NO	1	PC	SA
4	DC66-00531C	DAMPER SHOCK	HEBA,PP,WHITE,80±20N,LONG	2	PC	SA
5	DC67-01026A	WEIGHT BALANCER-UP	WD6500N,Fe,T60	1	PC	SA
6	DC67-00944B	WEIGHT BALANCER-LEFT	WD6800N,CONCRETE,T1	1	PC	SA
7	DC67-00945A	WEIGHT BALANCER-RIGHT	WW7800M,CONCRETE,T	1	PC	SA
8	DC97-14263A	ASSY BOLT	MOTOR/BOLT(M8)+WASHER(OD27.5),	4	PC	SA
9	6044-001781	RING-OG	ID33,OD36.4,T1.8,BLK,NBR	1	PC	SA
10	DC60-00128A	NUT SPIN	DUAL DRIVE,ZNDC,11mm,M28*1.5	1	PC	SNA
11	DC60-00132A	WASHER-SPRING	STS304,T0.5,ID35.2,OD39.2,	1	PC	SA
12	DC60-60011B	WASHER WAVE	STS301,ID28.7,OD42,T0.8,ACP	1	PC	SA
13	DC66-00936A	PULLEY MOTOR	DUAL DRIVE,ALDC,NATURAL,OD2	1	PC	SNA
14	DC97-21039A	ASSY DRUM	WW10N644RPW/AH	1	PC	SA
14-1	DC60-40137A	BOLT HEX	MARS-PJT,STS430,M8,P1.25,L30,HE	6	PC	SA
14-2	DC66-00938A	DRUM LIFTER	DD-PJT,PP,DARK HOLDER GRAY	3	PC	SNA
14-3	DC66-00678B	DRUM BACK	6500N 1400RPM,STS430,OD503,T0.	1	PC	SNA
14-4	DC66-00949C	DRUM WRAPPER	WW6500N,STS430,T0.6	1	PC	SNA
14-5	DC66-00950A	DRUM FRONT	WW6800M,STS430,od503,T0.5,BA	1	PC	SNA
14-6	DC97-20825A	ASSY FLANGE SHAFT	WW6500N	1	PC	SA
14-6-1	DC66-00975A	SHAFT	WW6500N,SM45C,L151.3,OD30,Natural	1	PC	SNA
14-6-2	DC60-00129B	FLANGE SHAFT	WW6500N,ALDC12,OD501.8	1	PC	SNA
15	DC97-20522G	ASSY SEMI TUB BACK	WD6500N	1	PC	SA
15-1	DC61-04515B	TUB BACK	WD7800N&WD6800N,FRPP,T3.5,NATUR	1	PC	SNA
15-2	DC96-01327D	ASSY WIRE HARNESS-EARTH	DRUM-M,WF1124ZAQ	1	PC	SA
15-3	DC97-20428A	ASSY HOUSING BEARING	WW7/6800M,1400RPM	1	PC	SNA
15-4	DC61-01088A	BUSH MOTOR	Q1636,PA,NATURAL,PA66,ID16.2,	2	PC	SNA
15-5	DC61-02664B	BRACKET HEATER	HEBA,STS430,T0.5	1	PC	SA
15-6	DC69-00824A	PACKING-THERMISTOR	GW-PJT,EPDM,-,-,W17,H	1	PC	SNA
15-7	DC69-01769A	PACKING-TUB	ARNO,EPDM,EPDM,T5.5,L1720,BL	1	PC	SA
15-8	6601-000148	BEARING BALL	6206ZZ,ID30,OD62,L16,STB2	1	PC	SNA

## MODEL CODE (WD11N64FRAX/ED)

Service Bom (SA: SERVICE AVAILABLE, SNA: SERVICE NOT AVAILABLE)

Drawing No.	Code No.	Description	Specification	QTY	Un	SA/SNA
15-9	6601-002637	BEARING BALL	6207ZZ,ID35,OD72,GCr15	1	PC	SA
15-10	DC62-00156A	SEAL OIL	TS85-PJT,NBR,BLK	1	PC	SA
16	DC97-20524C	ASSY SEMI TUB FRONT	WD6800N,COMBO	1	PC	SA
16-1	DC61-04513A	TUB FRONT	WW90M645OPW/EU,FRPP,T3.5,WHITE	1	PC	SA
16-2	DC64-03723A	DOOR DIAPHRAGM	WD6800N,EPDM,T1.5,LIGHT G	1	PC	SA
16-3	DC61-02646A	GUIDE HOSE	WF0804Y8E,PP,T2,W9.8,L36.6,RM	2	PC	SNA
16-4	DC65-60118H	CLIP RING	HSWR-SWRH,SEW-740DR,PI15	2	PC	SNA
16-5	DC67-00606A	HOSE AIR	AEGIS 2A COMBO BUBBLE-PJT,EPDM,	1	PC	SA
16-6	DC72-00001G	CLIP RING	HEBA-PJT,HSWR,T3.0,ID49.5,W18,	1	PC	SNA
16-7	DC67-00674A	HOSE DRAWER TUB	SEINE COMBO,EPDM,ID34.9,	1	PC	SA
16-8	DC65-60118R	CLIP RING	AEGIS-PJT,HSWR-SWRH,T3.0,ID37	1	PC	SA
16-9	DC65-60125B	CLIP RING	-,HSWR,-,-,-,-,-,-,-,-,-,-,-	1	PC	SNA
16-10	DC65-60118J	CLIP RING	-,HSWR,-,-,-,-,-,-,-,-,-,-,-	1	PC	SNA
16-11	DC67-00354A	HOSE AIR	HEBA PJT,EPDM,BLACK,18.3g	1	PC	SA
16-12	DC97-14637R	ASSY HOSE PRESSURE	600mmH20,No PBA,Hook	1	PC	SNA
16-12-1	DC63-10003H	ABSORBER SPONGE	PU FOAM,H35,BLACK	1	PC	SNA
16-12-2	DC61-70029C	CLIP RING	SEW-HW125,HSWR,WHITE	2	PC	SNA
16-12-3	DC67-00230B	HOSE WATER	WF8800,TPE,ID4.5,OD8.0,T1.75,	1	PC	SC
16-12-4	DC67-00297A	HOSE JOINT AIR	HEBA&Aegis-PJT,PP,L167.3	1	PC	SNA
16-12-5	DC65-00021A	CLAMPER HOSE-JOINT	HEBA PJT,HSWR	1	PC	SNA
16-12-6	DC61-00219B	CLAMPER HOSE	SK5,WLSL1100A,ID24 OD26.4	1	PC	SNA
16-12-7	DC67-00335A	HOSE FILTER TUB	AEGIS-PJT,EPDM,ID64.5	1	PC	SA
16-12-8	DC72-00001H	CLIP RING	HEBA-PJT,HSWR,WHITE	1	PC	SNA
16-13	DC97-17515B	ASSY HOSE AIR	MK-PJT,6800M/7800M,BUBBLE	1	PC	SA
16-13-1	DC61-00158A	CLAMPER HOSE	SW65ASP,SK5,ID23,T0.8,-,-,-	2	PC	SA
16-13-2	DC67-00526A	HOSE AIR TUB	AEGIS3-PJT,EPDM,T2.8,BLACK	1	PC	SA
16-14	DC91-12077G	ASSY CLAMP DIAPHRAGM	AEGIS,WF8500NH/WYLP	1	PC	SA
17	6011-003934	BOLT-HEX	M7.6,L48,ZPC(WHT),SCM 435,WASHE	9	PC	SA
18	DC60-40144A	BOLT HEX	F500,SM10C,T10,L35,DAMPER	2	PC	SA
19	DC93-00586D	ASSY MOTOR BLDC	WW7800M,WDM350FGA,F,DC31	1	PC	SA
20	6009-001367	BOLT-HEX	M6.5,L32,ZPC(WHT),SWRCH18A,HWH	15	PC	SNA

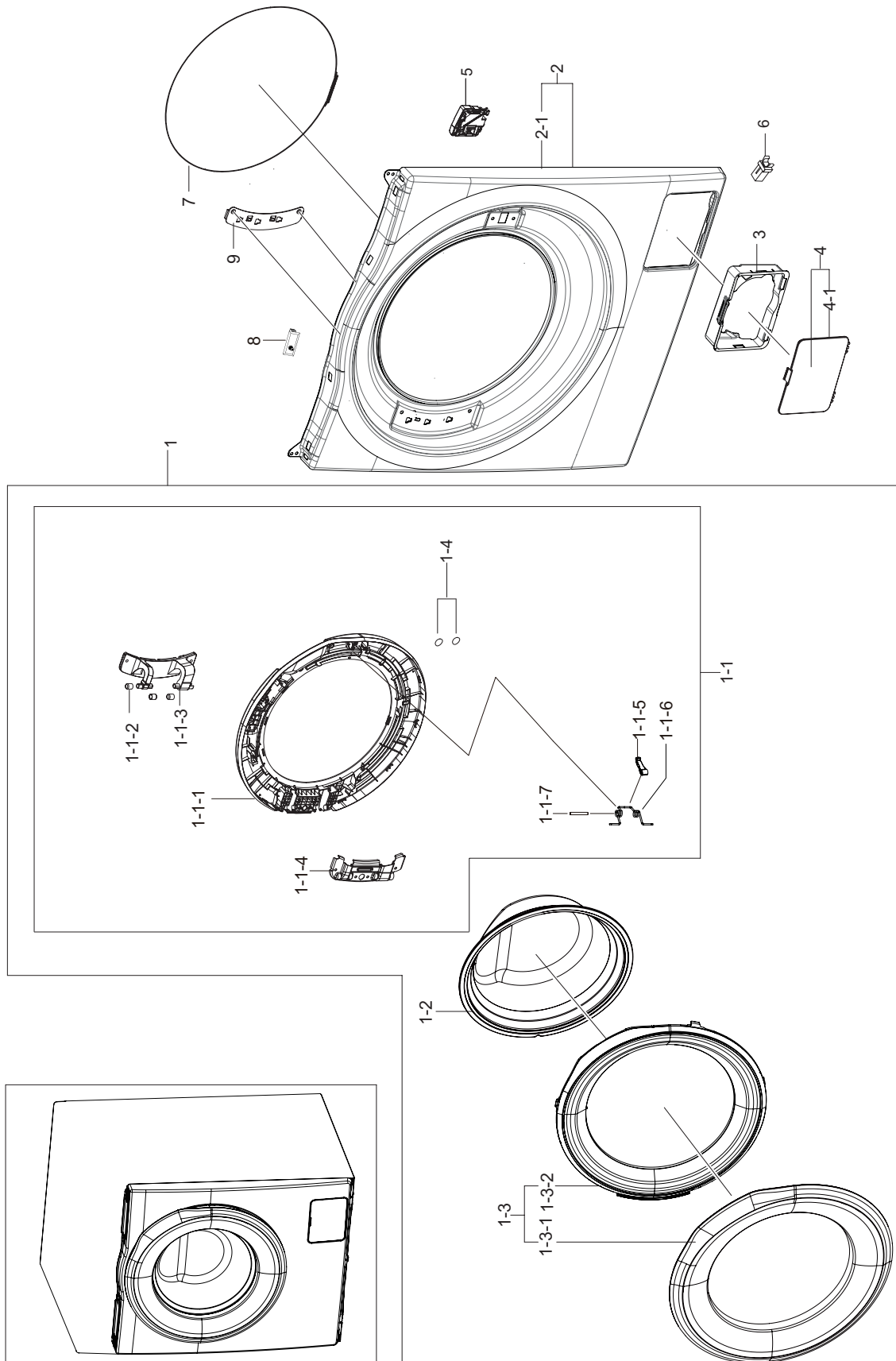


## MODEL CODE (WD11N64FRAX/ED)

Service Bom (**SA**: SERVICE AVAILABLE, **SNA**: SERVICE NOT AVAILABLE)

Drawing No.	Code No.	Description	Specification	QTY	Un	SA/SNA
21	DC93-00766E	ASSY DUCT CONDENSER	WD6800N	1	PC	SA
21-2	DC97-21034A	ASSY HOSE CONNECTOR	WD6800N	1	PC	SA
21-2-1	DC97-14618F	ASSY CLAMP DIAPHRAGM	GRACE-2K,WD197ARGRS	2	PC	SA
21-2-2	DC67-00976A	HOSE CONNECTOR	WD6800N/7800N,EPDM,ID74,T	1	PC	SNA
21-2-3	DC67-00973A	DUCT CONNECTOR	PP,T3,WHITE	1	PC	SNA
21-2-4	DC61-03698A	CASE FILTER	VOLGA COMBO,PP,T0.2,GRAY,HB,	1	PC	SA
21-3	DC97-21032A	ASSY NOZZLE HOSE	WD6800N,NOZZLE	1	PC	SA
21-3-1	DC67-00051B	HOSE DRAWER	Q1636GW/XEU,EPDM,ID9.0,OD14.	0.235	M	SNA
21-3-2	DC67-00734A	HOSE DRAWER	VOLGA COMBO,EPDM,BLACK	1	PC	SA
21-3-3	DC97-21031A	ASSY NOZZLE CONNECTOR	WD6800N	1	PC	SA
21-4	DC97-21033A	ASSY NOZZLE HOSE	WD6800N,CONDENSER	1	PC	SA
21-4-1	DC67-00768A	HOSE NOZZLE	VOLGA COMBO,EPDM,BLACK	1	PC	SA
21-4-2	DC97-18446A	ASSY NOZZLE CONNECTOR	WD9000H GLOBAL,WD2	1	PC	SA
21-4-3	DC67-00051B	HOSE DRAWER	Q1636GW/XEU,EPDM,ID9.0,OD14.	0.235	M	SNA
21-5	DC63-02263A	COVER CONDENSER	WD6800N,FRPP,T3,WHITE	1	PC	SA

# 4. ASSY FRAME PARTS (WD11N64FRAX/ED)

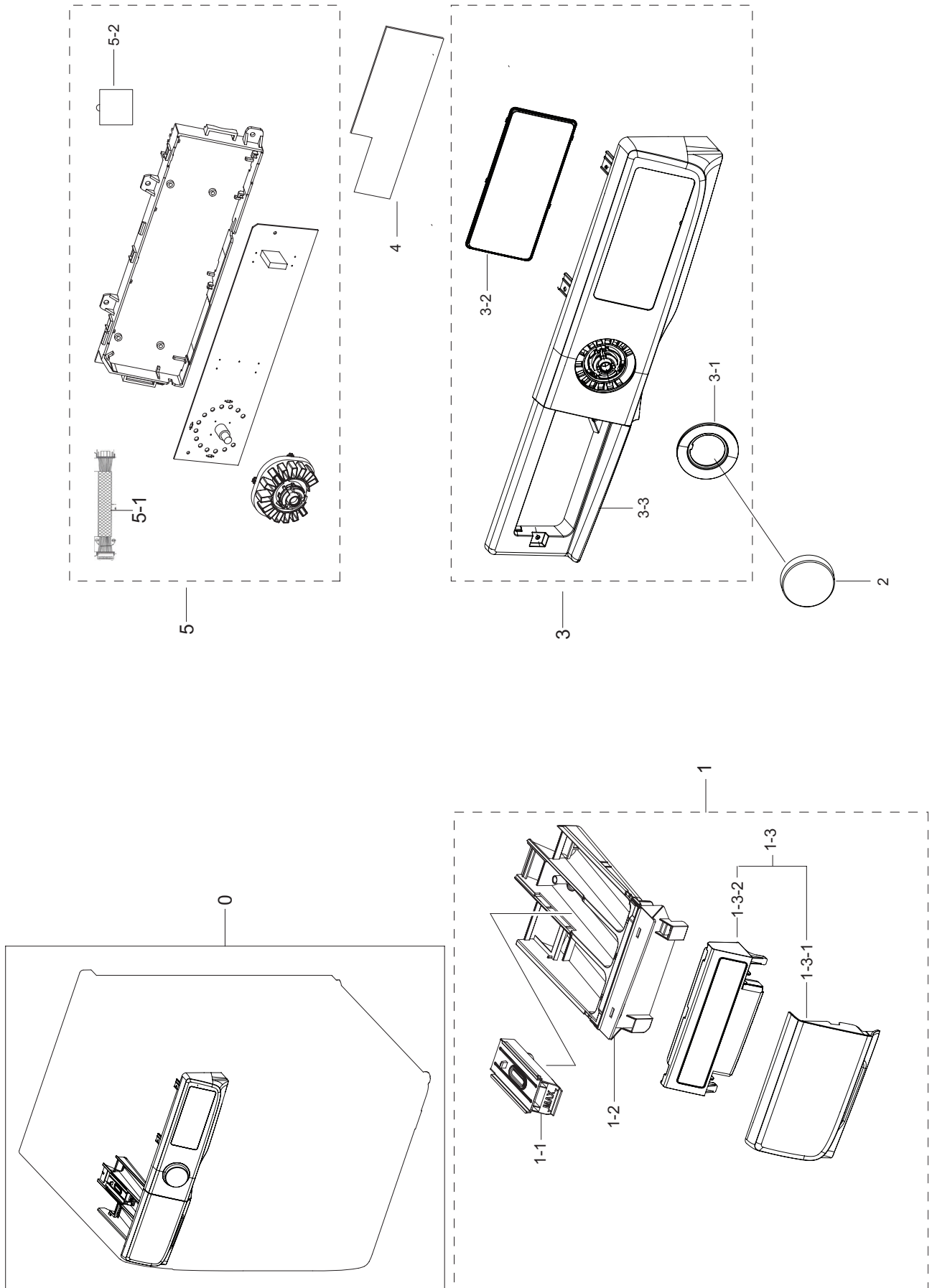


## MODEL CODE (WD11N64FRAX/ED)

Service Bom (SA: SERVICE AVAILABLE, SNA: SERVICE NOT AVAILABLE)

Drawing No	Code No.	Description	Specification	QTY	Un	SA/SNA
1	DC97-18547D	ASSY DOOR	WD6800N,WD90N643OAW/EE,BLUE	1	PC	SNA
1-1	DC97-18550B	ASSY HOLDER GLASS	WD6800N,WD90N643OAW/EE	1	PC	SA
1-1-1	DC61-04650A	HOLDER GLASS	WD6800N,PP,VERSAILLES GRAY,	1	PC	SNA
1-1-2	DC61-00891A	GUIDE HINGE	HAUZEN(DOM),POM,B,white,HING	2	PC	SA
1-1-3	DC61-03972B	HINGE DOOR	WW6000J,ALDC,T3	1	PC	SA
1-1-4	DC61-01915F	BRACKET HOLDER	GI-SGCC,T1	1	PC	SNA
1-1-5	DC66-00497C	LEVER-DOOR	WW6000J,ZNDC,T5,NI COATING	1	PC	SA
1-1-6	DC61-02027A	SPRING ETC LEVER	STS304,CD1.2,L10.6	1	PC	SA
1-1-7	DC64-00564A	HANDLE PIN	WF602U2BKWQ/SC,STS304,NATURE	1	PC	SA
1-2	DC64-01521A	DOOR GLASS	WF8804DP,GLASS,T5,H120.5,NAT,	1	PC	SA
1-3	DC97-18865A	ASSY COVER DOOR	WD6000J,WD90J6410AW/EU	1	PC	SA
1-3-1	DC63-01830A	COVER DOOR	WD5,6000J,ABS+PMMA,T3.5,GENTL	1	PC	SNA
1-3-2	DC63-01843A	COVER GLASS	WD5,6000J,ABS,T2.5,VERSAILLE	1	PC	SNA
1-4	DC64-03237B	INLAY-DOOR	PET,T0.3,VERSAILLES GRAY,OD:2	3	PC	SA
2	DC97-20627P	ASSY FRAME FRONT	WD6800N,NON ADD WASHER,	1	PC	SA
2-1	DC61-04226T	FRAME FRONT	WW6500K,GI-SGCD,INOX GRAY,T0	1	PC	SNA
3	DC61-04227A	GUIDE FILTER	PP,T2,TB53,BLACK	1	PC	SA
4	DC97-20305F	ASSY COVER FILTER	WW6800M,INOX GRAY	1	PC	SA
4-1	DC63-01974C	COVER FILTER	WW3456,ABS,T2.5,INOX GRAY P	1	PC	SA
5	DC34-00026B	SWITCH DOOR LOCK	AC120V,16,SOLENOID, DOO	1	PC	SNA
6	DA66-01072A	LATCH	LATOUR,POM,NATURAL,DC LATCH	1	PC	SA
7	DC91-12078E	ASSY WIRE DIAPHRAGM	AEGIS,WF8500NHW/YLP,	1	PC	SA
8	DC64-00828G	SWITCH DOOR	AC125-250V,1.5/0.75,1BUTTON,	1	PC	SA
9	DC61-01919A	BRACKET HINGE	WF8804DP,GI-SGCC,T1.4,L161	1	PC	SA

# 5. ASSY PANEL CONTROL PARTS (WD11N64FRAX/ED)

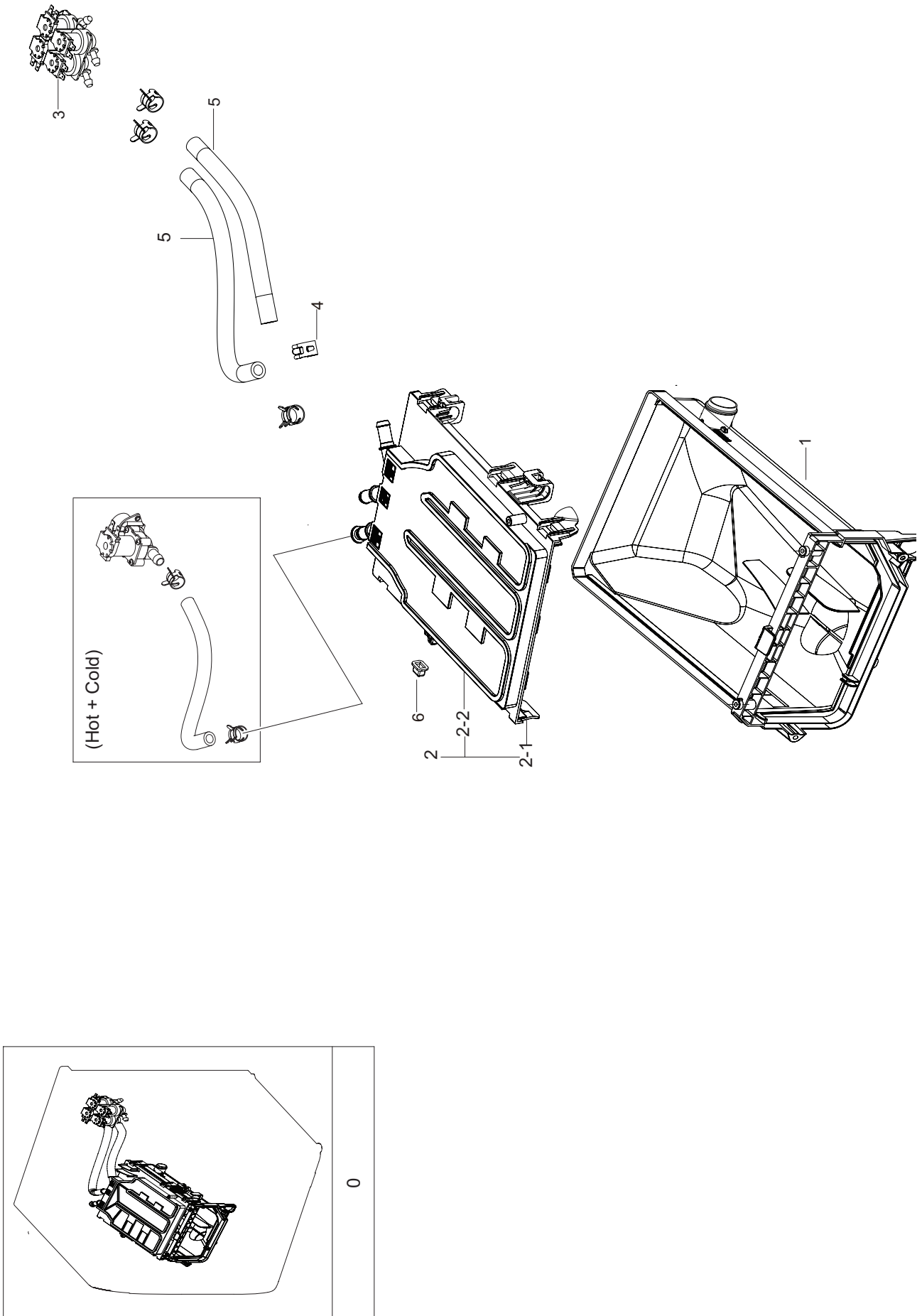


## MODEL CODE (WD11N64FRAX/ED)

Service Bom (SA: SERVICE AVAILABLE, SNA: SERVICE NOT AVAILABLE)

Drawing No	Code No.	Description	Specification	QTY	Un	SA/SNA
0	-	ASSY PANEL CONTROL PARTS	WD6800N	1	PC	SNA
1	DC97-20762T	ASSY DRAWER	6500N,ENG,INOX GRAY,NO CAPA	1	PC	SNA
1-1	DC67-00669A	CAP RINSE	WF-F500E,PP,MT43,Honesty Blue	1	PC	SA
1-2	DC61-03480A	BODY DRAWER	WF-F500E,PP,DA WHITE,WT0035,	1	PC	SA
1-3	DC97-20843T	ASSY PANEL DRAWER	6500N,ENG,INOX GRAY	1	PC	SA
1-3-1	DC64-03661B	PANEL DRAWER	WW6800N,ABS,HG-0760GP,INOX	1	PC	SNA
1-3-2	DC64-03662B	HANDLE DRAWER	WW6800M,ABS,HG-0760GP,HB,G	1	PC	SNA
2	DC64-03648A	KNOB ENCODER	WW8800M,ABS,NATURAL,MP-0160	1	PC	SA
3	DC97-20487H	ASSY PANEL CONTROL	WD6500N,WD12N64FR2X/A	1	PC	SNA
3-1	DC64-03663A	WINDOW ENCODER	WW6800M,PMMA,TF-0959,GRAY	1	PC	SNA
3-2	DC64-03752H	WINDOW PANEL	WD11N64FOOX/CO,PMMA,FT6120,	1	PC	SNA
3-3	DC64-03660B	PANEL CONTROL	WW6800N,ABS,HG-0760GP,INOX	1	PC	SNA
4	DC92-02129C	ASSY MODULE	FWM_Touch Sensor,WD6800N,11K	1	PC	SA
5	DC92-02342E	ASSY PCB DISPLAY	FWM_INV,WD6500N,292*80,	1	PC	SA
5-1	DC96-01574B	ASSY WIRE HARNESS	DRUM-M,WF210ANW,8PIN,L	1	PC	SA
5-2	DC62-00587A	SEAL RUBBER	DV8800N,EPDM,BLACK,EPDM,Hard	1	PC	SA
6	DC97-21292Y	ASSY S.PANEL CONTROL	WD6500N,WD12N64FR2X	1	PC	SA

6-2.ASSY DRAWER PARTS (WD11N64FRAX/ED)



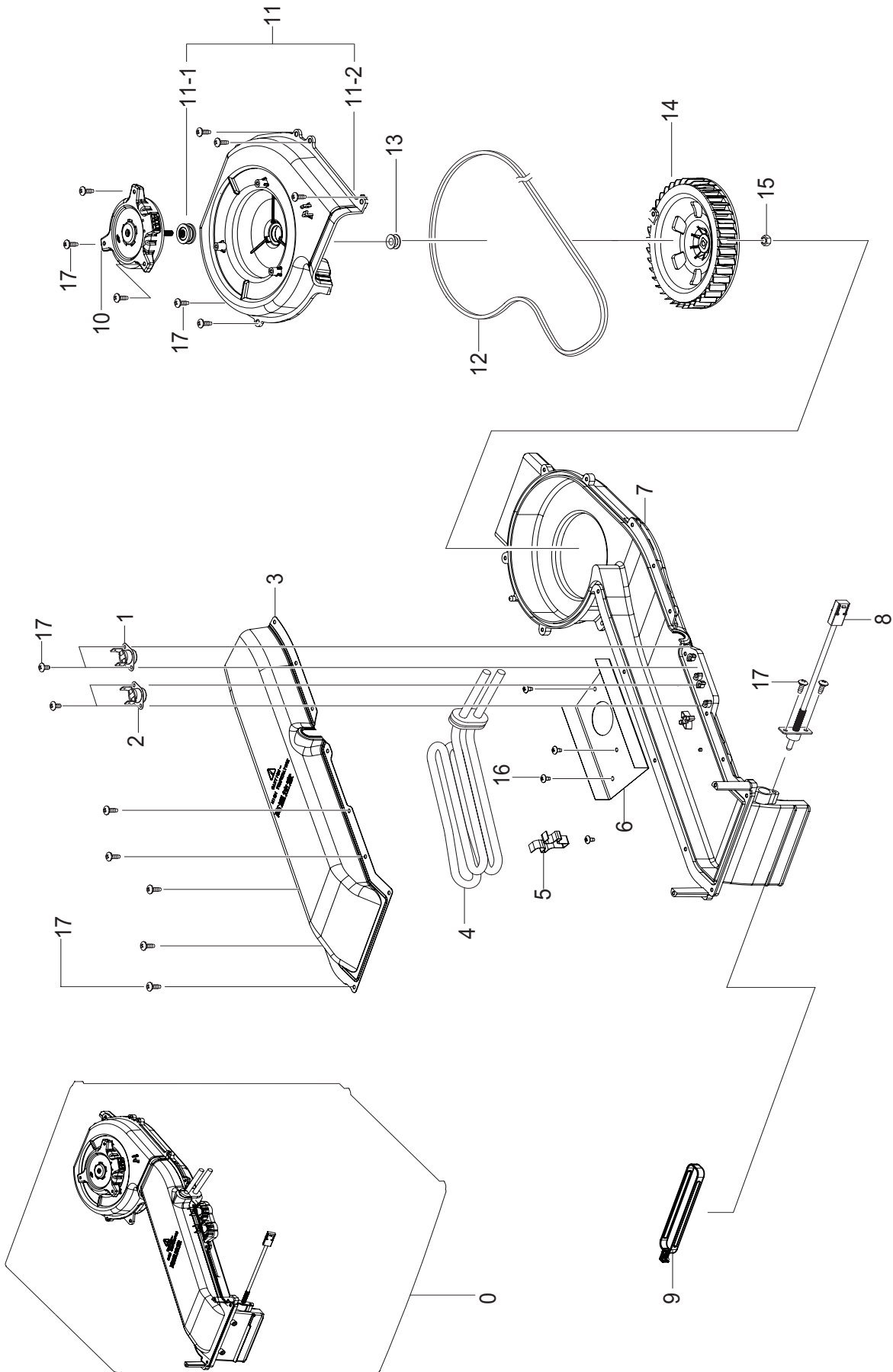
---

## MODEL CODE (WD11N64FRAX/ED)

Service Bom (**SA**: SERVICE AVAILABLE, **SNA**: SERVICE NOT AVAILABLE)

Drawing No.	Code No.	Description	Specification	QTY	Un	SA/SNA
0	DC97-20912E	ASSY HOUSING DRAWER	WD6800N,WD10N64FOOX/	1	PC	SNA
1	DC61-02663A	HOUSING DRAWER-LOW	WW5000,PP,T1.8,NATURA	1	PC	SA
2	DC97-17347A	ASSY S.HOUSING DRAWER	F500E,WF80F5E5U4W	1	PC	SA
2-1	DC61-03474A	HOUSING DRAWER-MIDDLE	WF-F500E,PP,NATURA	1	PC	SNA
2-2	DC61-03475A	HOUSING DRAWER-UP	WF-F500E,PP,NATURAL,FC	1	PC	SNA
3	DC62-00214Q	VALVE WATER	AC110-127V,Bracket,1in 4out,	1	PC	SA
4	DC65-00008B	CLAMPER HOSE	SSEC-GE,SK5,ID14.2,Dacromet	4	PC	SA
5	DC67-00051F	HOSE DRAWER	WF8502NHW,EPDM,AEGIS	0.525	M	SA
6	DC67-00327A	CAP DRAWER HOOK	HEBA-PJT,EPDM,T1.1,BLACK	1	PC	SNA
7	DC62-00182A	NOZZLE CONNECTOR-UP	COMBO,POM,NATURAL,TS	1	PC	SNA
8	DC62-00183A	NOZZLE CONNECTOR-LOW	COMBO,POM,NATURAL	1	PC	SNA

# 7.ASS'Y DUCT SCROLL




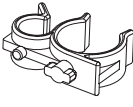

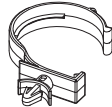




## MODEL CODE (WD11N64FRAX/ED)

Service Bom (SA: SERVICE AVAILABLE, SNA: SERVICE NOT AVAILABLE)

Drawing No.	Code No.	Description	Specification	QTY	Un	SA/SNA
0	DC93-00764B	ASSY DUCT SCROLL	Q-DRIVE COMBO,WD7800N&W	1	PC	SA
1	DC47-00016B	THERMOSTAT	AC125/250V,25A,125,-35,S.O.D,	1	PC	SA
2	DC47-00016C	THERMOSTAT	AC125/250V,16A,125,-35,MANUAL	1	PC	SA
3	DC61-04627A	HOUSING FAN-UP FRONT	WD6800N/7800N,STS43	1	PC	SA
4	DC47-00008H	HEATER DRY	AC120V,900W,INCOLOY800,897mm,	1	PC	SA
5	DC61-02526A	BRACKET HEATER	AEGIS-COMBO,STAINLESS-STS	1	PC	SNA
6	DC63-01162A	COVER-HOUSING	WD0704CQR,STAINLESS-STS430	1	PC	SNA
7	DC61-04625A	HOUSING FAN-LOW	WD6800N/7800N,ALDC,T2,NA	1	PC	SA
8	DC32-00004C	THERMISTOR	DRYER,-20□ ~ 170□,5,5,3.3k+5%	1	PC	SNA
9	DC66-00782A	JOINT DIAPHRAGM	EGI-SECC,T1.0	1	PC	SA
10	DC31-00164A	MOTOR BLDC FAN	DWD00618BRA,2650,24V	1	PC	SA
11	DC93-00765A	ASSY COVER HOUSING	Q-DRIVE COMBO,WD7800N	1	PC	SA
11-1	DC62-00450A	SEAL WATER	NBR,BLACK,-	1	PC	SNA
11-2	DC61-04626A	HOUSING FAN-UP REAR	WD6800N/7800N,PA,T3,	1	PC	SNA
12	DC69-01039K	PACKING-DUCT	SEINE-COMBO,Rubber,DUCT SEA	1	PC	SNA
13	DC62-00450A	SEAL WATER	NBR,BLACK,-	1	PC	SNA
14	DC67-00975A	FAN DRY	PA66,T2.5,WD6800N/7800N	1	PC	SA
15	6021-001868	NUT-HEXAGON	LEFT HAND SCREW,M6,STS304	1	PC	SNA
16	6002-000239	SCREW-TAPPING	TH,+,NO,2S,M4,L8,ZPC(WHT),	1	PC	SNA
17	6006-001174	SCREW-TAPPING	TH,+,WT,2S,M4,L12,ZPC(WHT)	5	PC	SNA

## 7. SMALL PARTS

				
1	2	3	4	5
				
6				

### MODEL CODE: WD10N64GR2G/SC

Service Bom (**SA**: SERVICE AVAILABLE, **SNA**: SERVICE NOT AVAILABLE)

NO.	Code No.	Description	Specification	QTY	Un	SA/SNA
1	DC61-40083A	HOLDER WIRE	DAWH-3ND,PA66,NATURAL,NTR(PI	1	PC	SNA
2	DC61-00133A	CLAMPER HOSE-FIX	P1291,PP,HOSE+PLUG,BJ-7	1	PC	SA
3	DC61-00118A	CLAMP-CABLE	P1291,PA66,ID27,OD30,NATURAL	1	PC	SA
4	DC61-02879A	HOLDER WIRE	WF8804CPA,PA,L58.6,NATURAL,2	1	PC	SNA
5	DC60-60044B	WASHER PLAIN	PO-SPHC,T2.0	4	PC	SA
6	DC61-40081A	HOLDER WIRE	DAWH-2NC,PA66,NATURAL	2	PC	SA
6	DC61-40081A	HOLDER WIRE	DAWH-2NC,PA66,NATURAL	2	PC	SA

## 8. PARTS LIST (SCREW TYPE)

### MODEL CODE (WD11N64FRAX/ED)

Service Bom (SA: SERVICE AVAILABLE, SNA: SERVICE NOT AVAILABLE)

Code No.	Description	Specification	QTY	Un	SA/SNA
6002-000213	SCREW-TAPPING	TH,+,1,M4,L12,ZPC(WHT),SWR	4	PC	SNA
6003-001768	SCREW-TAPTYPE	TH,+,WT,S,M4,L10,ZPC(WHT),	2	PC	SNA
6006-001174	SCREW-TAPPING	TH,+,WT,2S,M4,L12,ZPC(WHT)	5	PC	SNA
6002-001327	SCREW-TAPPING	PWH,+,1,M4,L12,ZPC(WHT),SW	6	PC	SNA
6006-001174	SCREW-TAPPING	TH,+,WT,2S,M4,L12,ZPC(WHT)	5	PC	SNA
6003-000226	SCREW-TAPTYPE	TH,+,-,S,M4,L8,ZPC(WHT),SW	1	PC	SNA
DE60-10080A	SCREW-TAPPING	PWH,+,2S,M5,L9,ZPC(WHT),SW	2	PC	SNA
6002-000445	SCREW-TAPPING	TH,+,NO,2,M4,L18,PASS,STS4	9	PC	SNA
6006-001174	SCREW-TAPPING	TH,+,WT,2S,M4,L12,ZPC(WHT)	5	PC	SNA
6002-000445	SCREW-TAPPING	TH,+,NO,2,M4,L18,PASS,STS4	9	PC	SNA
6003-001768	SCREW-TAPTYPE	TH,+,WT,S,M4,L10,ZPC(WHT),	2	PC	SNA
6006-001174	SCREW-TAPPING	TH,+,WT,2S,M4,L12,ZPC(WHT)	5	PC	SNA
6002-001554	SCREW-TAPPING	BH,+,No,1,M4,L12,STS430,HE	2	PC	SNA
6002-000213	SCREW-TAPPING	TH,+,1,M4,L12,ZPC(WHT),SWR	4	PC	SNA
6002-001006	SCREW-TAPPING	TH,+,-,2S,M4,L12,PASS,STS4	3	PC	SNA
6002-000213	SCREW-TAPPING	TH,+,1,M4,L12,ZPC(WHT),SWR	4	PC	SNA
6002-001554	SCREW-TAPPING	BH,+,No,1,M4,L12,STS430,HE	2	PC	SNA
6009-001522	SCREW-HEX	HWH,+,M5,L16,PASS,STS430,FP,SE	2	PC	SA
6002-000239	SCREW-TAPPING	TH,+,NO,2S,M4,L8,ZPC(WHT),	1	PC	SNA
6002-001554	SCREW-TAPPING	BH,+,No,1,M4,L12,STS430,HE	2	PC	SNA
6002-000445	SCREW-TAPPING	TH,+,NO,2,M4,L18,PASS,STS4	9	PC	SNA
6002-000445	SCREW-TAPPING	TH,+,NO,2,M4,L18,PASS,STS4	9	PC	SNA
6002-001438	SCREW-TAPPING	HWH,+,NO,1,M5,L12,ZPC(WHT)	2	PC	SNA
6003-000226	SCREW-TAPTYPE	TH,+,-,S,M4,L8,ZPC(WHT),SW	1	PC	SNA
6006-001174	SCREW-TAPPING	TH,+,WT,2S,M4,L12,ZPC(WHT)	5	PC	SNA
6009-001343	SCREW-SPECIAL	PH,TORX,M4,L12,ZPC(WHT),SW	2	PC	SNA
6002-000213	SCREW-TAPPING	TH,+,1,M4,L12,ZPC(WHT),SWR	4	PC	SNA
6001-000115	SCREW-MACHINE	BH,+,M3,L10,ZPC(WHT),SWRCH	3	PC	SNA
6001-000115	SCREW-MACHINE	BH,+,M3,L10,ZPC(WHT),SWRCH	3	PC	SNA
6001-000115	SCREW-MACHINE	BH,+,M3,L10,ZPC(WHT),SWRCH	3	PC	SNA
6002-000239	SCREW-TAPPING	TH,+,NO,2S,M4,L8,ZPC(WHT),	1	PC	SNA
6006-001174	SCREW-TAPPING	TH,+,WT,2S,M4,L12,ZPC(WHT)	5	PC	SNA

---

## MODEL CODE (WD11N64FRAX/ED)

Service Bom (**SA**: SERVICE AVAILABLE, **SNA**: SERVICE NOT AVAILABLE)

Code No.	Description	Specification	QTY	Un	SA/SNA
DC97-14006C	ASSY SCREW	GRIFFIN-PJT,WF9904RWE,SWRCH18	2	PC	SNA
6002-001436	SCREW-TAPPING	PH,+,2,M4,L18,ZPC(WHT),SWR	6	PC	SNA
DC97-15858A	ASSY SCREW	trumph-PJT,WF-F1061/YLP,SWRCH	2	PC	SNA
6002-001554	SCREW-TAPPING	BH,+,No,1,M4,L12,STS430,HE	2	PC	SNA