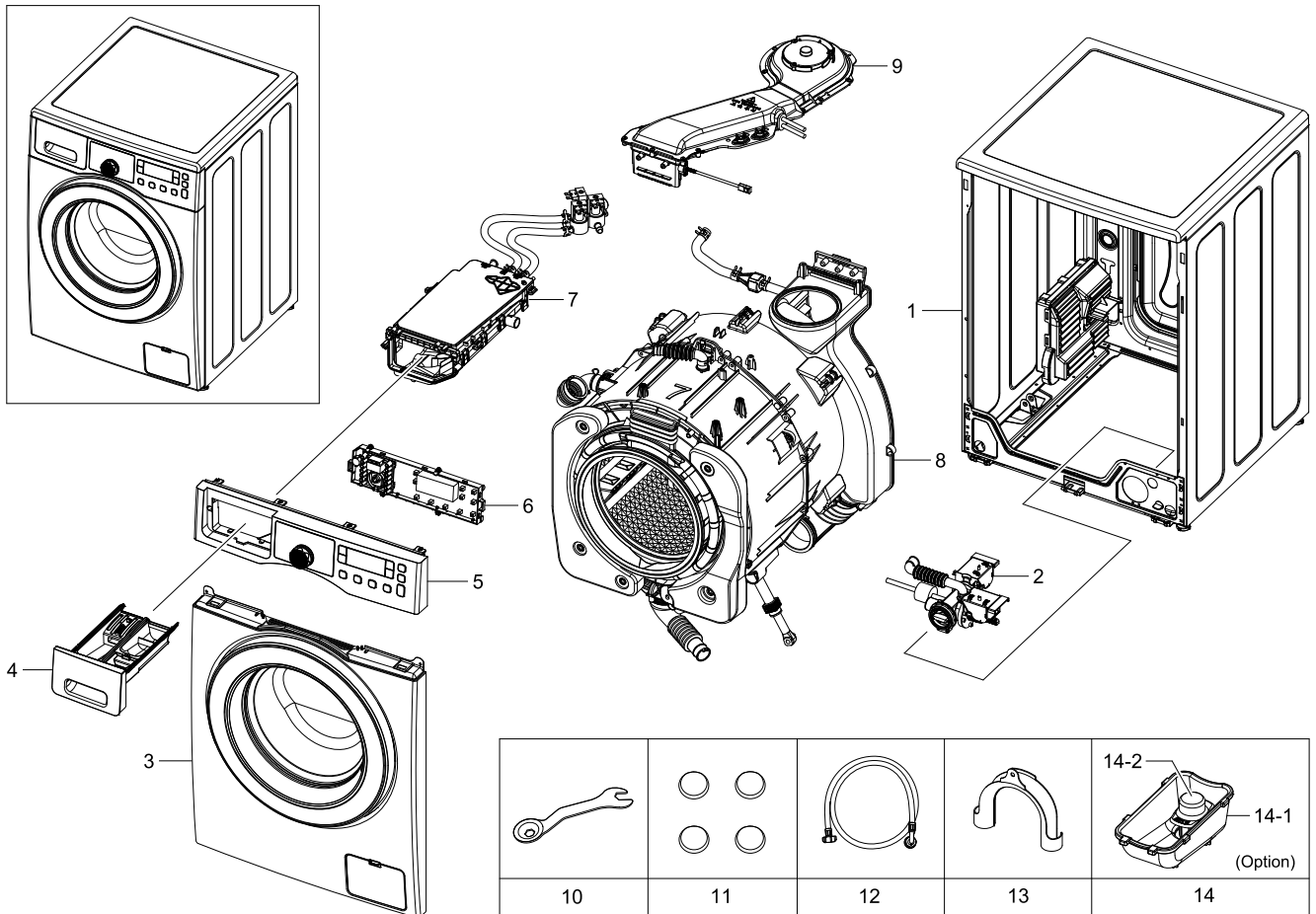


# 1. Main

## Exploded View



## Parts List

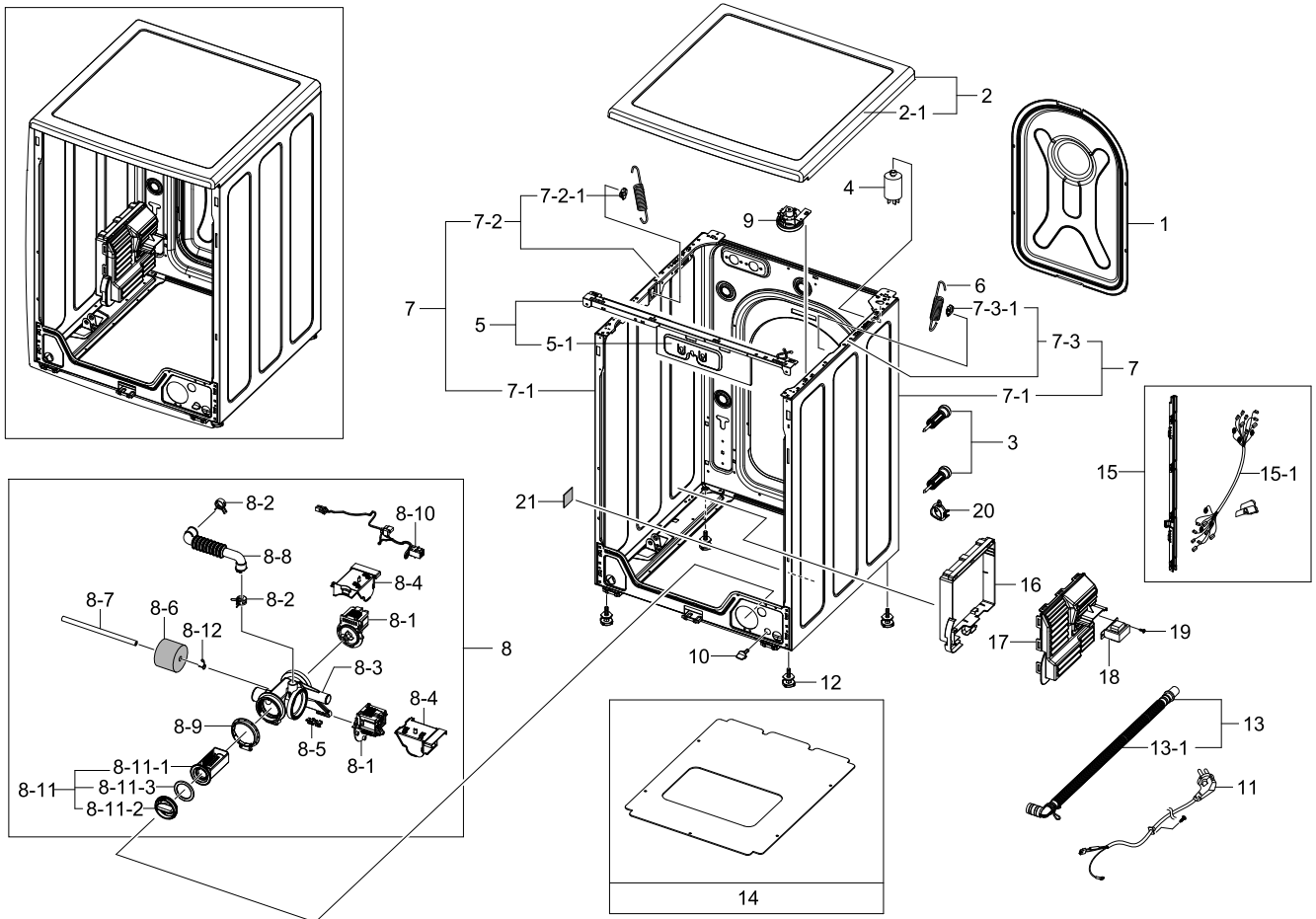
No.	Lvl.	Loc.	Material Code	Description & Specification	SNA	Qty.
1	2	W0506	DC97-16515B	ASSY FRAME; SCOUT-COMBO,WD0804W8E,GI,T0.8	SA	1
2	2	W0194	DC97-15696E	ASSY PUMP DRAIN; SCOUT-PJT,WF0804Y8E/XEF,	SA	1
3	2	W0253	DC97-15897J	ASSY FRAME FRONT; SCOUT-COMBO,WD0804W8E,E	SNA	1
4	2	W0216	DC97-16021A	ASSY DRAWER; SCOUT,WF0804Y8E	SA	1
5	2	W0478	DC97-16875M	ASSY PANEL CONTROL; SCOUT COMBO,WD0804W8E	SA	1
6	2	W0469	DC92-00532A	ASSY PCB SUB; SCOUT SUB,WD0804W8E/YAH,8KG	SA	1
7	2	W0163	DC97-16005R	ASSY HOUSING DRAWER; SCOUT,WD0804W8E,Comb	SNA	1
8	1	W0502	DC90-08193A	ASSY TUB & DRUM; SCOUT COMBO,WD0804W8E/XEE	SNA	1

Exploded Views and Parts List

No.	Lvl.	Loc.	Material Code	Description & Specification	SNA	Qty.
9	2	W0644	DC93-00033A	ASSY DUCT SCROLL; HEBA-COMBO,WD8700,-,-,-	SA	1
10	2	W0611	DC60-40146A	BOLT-SPANER; -,CR,-,T2.5,OD36,-,-,-,-	SA	1
11	2	W0614	DC67-00307A	CAP-FIXER; WF438AAC/XAA,PP,T1.5,BLK,RM60	SC	4
12	2	W0757	DC97-16921A	ASSY HOSE WATER; HEBA,WF8804,REFLEX,L1450	SA	1
13	2	W0626	DC62-10278A	HOSE-HANGER; PUMP MODEL,PP,BLK,RM60 RESIN	SA	1
14	2	W0630	DC97-16128C	ASSY COVER DRAWER; HEBA,PP	SA	1
14-1	3	M0102	DC61-02581C	GUIDE-LIQUID(M); WF1802XEC,PP,T2.0,W61,L1	SA	1
14-2	3	W0632	DC67-00524A	CAP-DRAWER; WF0804Y8E/XEF,PP,T2.0,W27,L43	SA	1

## 2. Frame&Cover Parts

### Exploded View



### Parts List

No.	Lvl.	Loc.	Material Code	Description & Specification	SNA	Qty.
1	2	G0430	DC97-15809A	ASSY COVER BACK; GRIFFIN PJT,WF9904RWE/XE	SA	1
2	2	W0183	DC97-16514L	ASSY COVER TOP; SCOUT,DD-MOTOR,WITHOUT AL	SA	1
2-1	3	W0461	DC63-00910A	COVER-TOP; HEBA PJT,ABS,T3.5,W594.8,L590.	SNA	1
3	2	W0603	DC97-14794C	ASSY FIXER TUB; SCOUT,WF0704L7W/XEF	SA	4
4	2	W0229	DC29-00015E	FILTER-EMI; MINERVA-PJT,250VAC,15,D53*H71	SA	1
5	2	W0721	DC97-15557A	ASSY FRAME PLATE(U); HEBA-COMBO,WD8704DJF	SNA	1
5-1	3		DC61-02376A	BRACKET-DUCT SCROLL; HEBA-COMBO,GI,T0.8,W	SC	1
6	2	W0630	DC61-02029C	SPRING ETC-HANGER; GE24,HSWR,CD3.5,ID24.8	SA	2

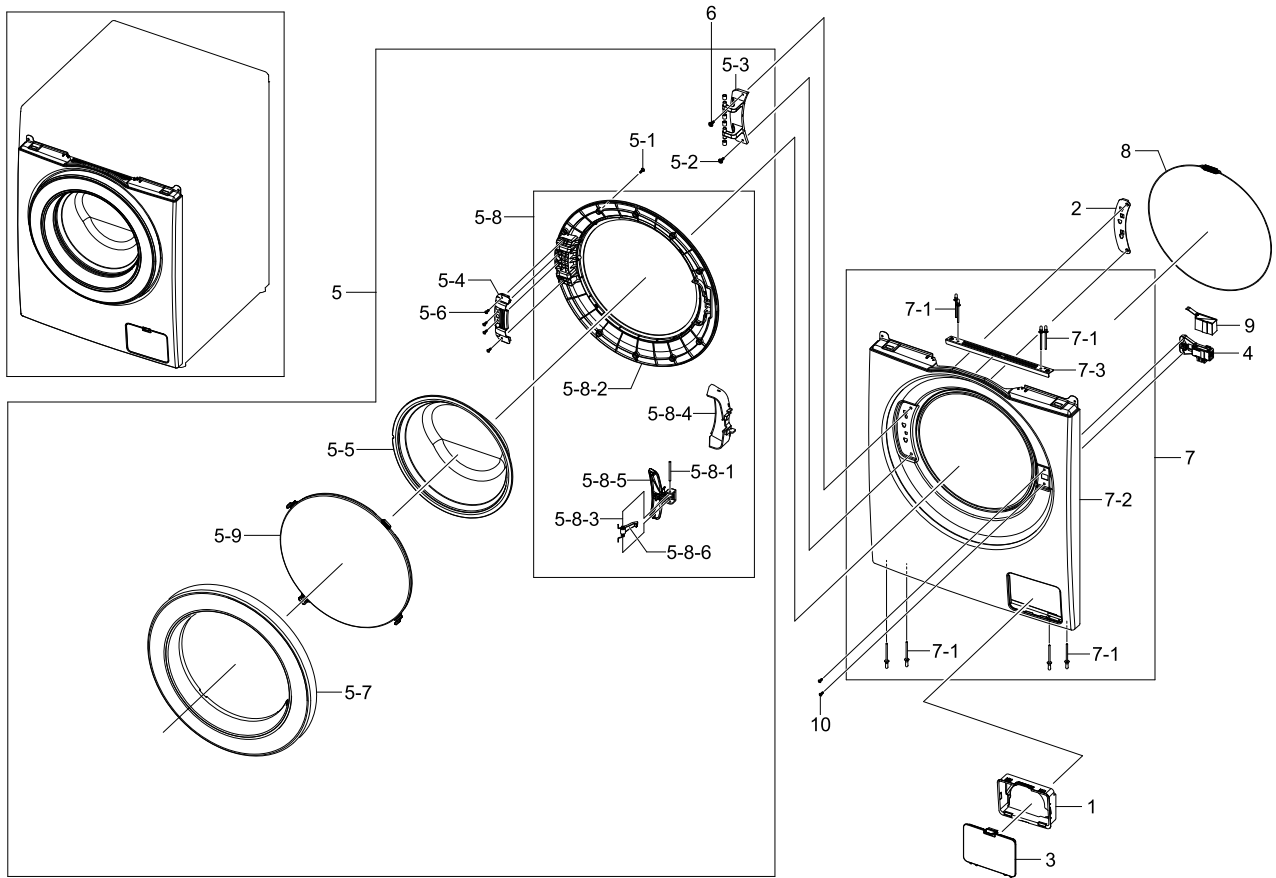
Exploded Views and Parts List

No.	Lvl.	Loc.	Material Code	Description & Specification	SNA	Qty.
7	2	W0506	DC97-16515B	ASSY FRAME; SCOUT-COMBO,WD0804W8E,GI,T0.8	SA	1
7-1	3	W0244	DC61-02172F	FRAME; HEBA-INOX,PCM(GI),INOX,T0.8	SNA	1
7-2	4	W0485	DC61-01924A	BRACKET-SPRING(L); HEBA-PJT 7KG,GI,T1.4,-	SA	1
7-2-1	4	W0140	DC61-02065A	GUIDE-SPRING; WF448AAG/XXA,POM,T4,W24,L25	SA	1
7-3	4	W0486	DC61-01926A	BRACKET-SPRING(R); HEBA-PJT/7KG,GI,T1.4,W	SA	1
7-3-1	4	W0140	DC61-02065A	GUIDE-SPRING; WF448AAG/XXA,POM,T4,W24,L25	SA	1
8	2	W0194	DC97-15696E	ASSY PUMP DRAIN; SCOUT-PJT,WF0804Y8E/XEF,	SA	1
8-1	3	M0022	DC31-00030A	PUMP-DRAIN; B20-6,220V,50Hz,-,HANYU	SA	2
8-2	3	W0615	DC61-00158A	CLAMPER HOSE; SW65ASP,SK5,ID23,T0.8/YEL	SA	2
8-3	3	W0479	DC61-02271B	CASE-PUMP; WF0804Y8E/XEF,PP,T2.5,W153.6,L	SA	1
8-4	3	W0213	DC63-00830A	COVER-PUMP; COVER-PUMP,PP,T2.1,W60.5,L75,	SA	2
8-5	3		DC63-00905A	CUSHION-PUMP; WF8802DPF/XET,NBR,-,W37.6,L	SA	1
8-6	3	G0054	DC63-10003C	ABSORBER SPONGE; SWF-P12,PU-FOAM,GRY	SA	1
8-7	3	U2015	DC67-00244C	HOSE-DRAIN; WF0804Y8E,EPDM,ID6,OD11,T2.5,	SA	1
8-8	3	G0053	DC67-00461A	HOSE-AIR TUB; SCOUT- PJT,EPDM,T1.5,BLK	SA	1
8-9	3		DC69-01128A	PACKING-PUMP; WF8804DP,RUB-OTH,BUTYL,T2.5	SA	1
8-10	3	W0224	DC93-00016C	ASSY WIRE HARNESS-PUMP; GRIFFIN,CIRCULTIO	SA	1
8-11	3	G0050	DC97-15695A	ASSY FILTER; GRIFFIN-PJT,WF9804RWE,PP+EPD	SA	1
8-11-1	4	W0633	DC63-00998A	FILTER-PUMP; WF8702LSW,PP,T2.0,W52.8,L93.	SA	1
8-11-2	4		DC64-01317A	HANDLE-FILTER; HANDLE-FILTER,PP,T2.5,W55,	SA	1
8-11-3	4		DC73-00022A	SEAL-PACKING; SEW-HVR149ATA,EPDM,BLK,40	SNA	1
8-12	3	W0615	DD65-00001F	CLAMPER HOSE; HSWR,D10.5/T1.2	SA	1
9	2	W0607	DC96-01703B	ASSY SENSOR PRESSURE; PURPLE PJT,PURPLE P	SA	1
10	2	W0613	DC61-10673A	CAP-DRAIN; SWF-P12,PP,-,-,-,NTR,-	SA	1
11	2	W0081	DC90-11229B	ASSY POWER CORD; BF3,250V/13A,H05VV-F 3*1	SA	1
12	2	W0606	DC97-00920C	ASSY LEG; SEW-HW108,AUSTRALIA MODELS,L48.	SA	4

No.	Lvl.	Loc.	Material Code	Description & Specification	SNA	Qty.
13	2	W0604	DC97-02250S	ASSY HOSE DRAIN(O); HEBA-COMBO,WD8704DJF,	SA	1
13-1	3	G0416	DC67-00330B	HOSE-PUMP; WF8802DPF,PP,ID20.6,OD27,-,L18	SNA	1
14	2	W0629	DC64-01757B	SHUTTER; HEBA-PJT,PP,T2.0,W433.0,L536.5,W	SA	1
15	2	W0080	DC93-00225C	ASSY M.GUIDE WIRE HARNESS; SCOUT COMBO,WD	SA	1
15-1	3	W0079	DC93-00226C	ASSY M. WIRE HARNESS; SCOUT COMBO,WD0804W	SNA	1
16	2	W0470	DC92-00531A	ASSY PCB MAIN; SCOUT,WD0804W8E/YAH,8KG,22	SA	1
17	2		DC63-01040A	COVER-PCB(M); WF9904RWE/XEU,ABS,T2.5,W196	SA	1
18	2	W0643	DC26-00009D	TRANS-REACTORV; SEW-3HR105,220V-240V,3A,2	SA	1
19	2	W0105	6002-001306	SCREW-TAPPING; TH,+,1,M4,L14,ZPC(WHT),SWR	SA	2
20	2	G0415	DC61-00274C	GUIDE-HOSE; P/PV/M,PP,BLK,FRAME/DRAIN-HOS	SA	1
21	2		DC63-01071B	SHEET-DAMPING; WD8704DJF,BUTYL,T5,W155,L1	SA	1

### 3. Assy Frame Front

**Exploded View**



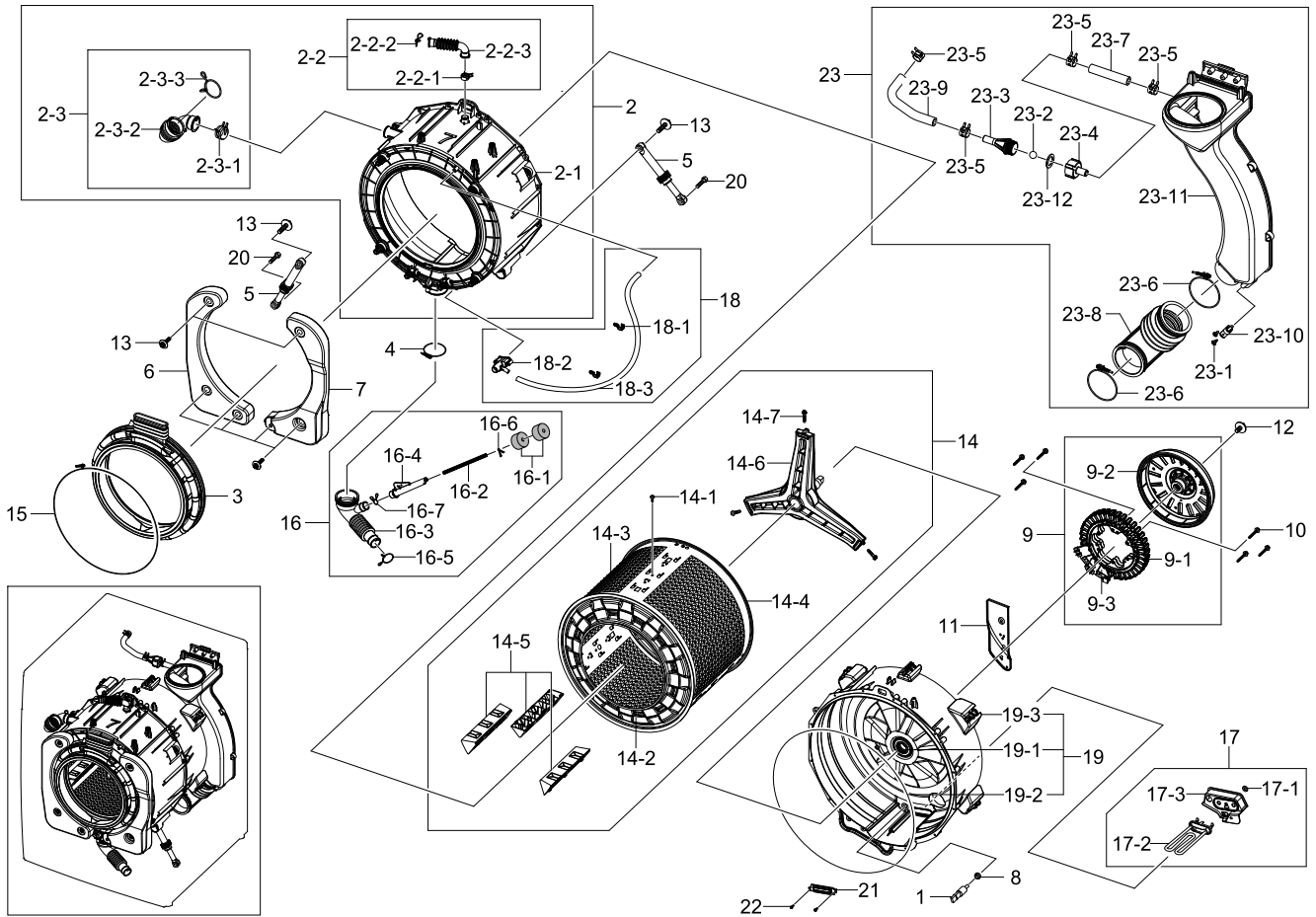
**Parts List**

No.	Lvl.	Loc.	Material Code	Description & Specification	SNA	Qty.
1	3	W0228	DC61-01917A	GUIDE-FILTER; WF8804DP,HIPS,T2.5,W300,L20	SA	1
2	3	W0226	DC61-01919A	BRACKET-HINGE; WF8804DP,GI,T1.4,W30,L161,	SA	1
3	3	W0516	DC63-00854A	COVER-FILTER; WF8804DP,ABS,T2.0,W300,L200	SA	1
4	3	W0225	DC64-01538A	DOOR-LOCK S/W; ZV-446L5,PA66,T19.5,W95,BL	SA	1
5	3	W0459	DC97-14343Z	ASSY DOOR; SCOUT,WD0804W8E,ABS,ONE PIECE	SA	1
5-1	4	W0105	6002-000444	SCREW-TAPPING; TH,+2,M4,L14,PASS,STS430	SA	10
5-2	4	W0220	DC61-00891A	GUIDE-HINGE; HAUZEN(DOM),POM,-,-,-,WHT,HI	SA	4
5-3	4	W0219	DC61-01910A	HINGE-DOOR; WF8804DP,ALDC,T8,W45.5,L155,Z	SA	1
5-4	4	W0754	DC61-01915B	BRACKET-HOLDER; WF8804DP,GI,T1.2,W45,L160	SA	1

No.	Lvl.	Loc.	Material Code	Description & Specification	SNA	Qty.
5-5	4	W0448	DC64-01521A	DOOR-GLASS; WF8804DP, NON-HeatTreatment GL	SA	1
5-6	4	W0105	6002-001306	SCREW-TAPPING; TH,+,1,M4,L14,ZPC(WHT),SWR	SA	3
5-7	4	W0440	DC63-01416B	COVER-DOOR; WD0804W8E,ABS,T2.5,D480,CR,SC	SC	1
5-8	4	W0454	DC97-15375A	ASSY HOLDER GLASS; HEBA,ALL,PP,T3.0,480*4	SNA	1
5-8-1	5	G0426	6043-001093	PIN-PARALLEL(KEY); A,OD3,L40,PASS,STS204	SA	1
5-8-2	5	G0427	DC61-01909A	HOLDER GLASS; WF8804DP,PP,T3.0,W479.5,L47	SA	1
5-8-3	5	W0142	DC61-02027A	SPRING ETC-LEVER; STAINLESS-STS304,CD1.2,	SA	1
5-8-4	5	W0173	DC63-00853D	COVER-HANDLE; HIPS,T2.5,W60,NOBLE GREY	SA	1
5-8-5	5	W0722	DC64-01524A	HANDLE DOOR; WF8804DP,ABS,T2.5,W43,L113,G	SA	1
5-8-6	5	W0474	DC66-00497C	LEVER-DOOR; WF8804DP,ZNDC,T10,W10,L46	SA	1
5-9	4	W0642	DC64-01897A	DOOR-SAFETY; WD8704DJF,PET,T2.5,H24.1,W32	SA	1
6	3	G0425	6009-001522	SCREW-HEX; HEX,+,-,M5,L16,PASS,STS430,FP,	SA	2
7	3	W0727	DC97-16911F	ASSY FRAME FRONT(S); SCOUT,PCM,WHITE, FRO	SA	1
7-1	4		6041-001035	RIVET-RH; K1661-0512,AL(A5052),OD3.9,L11,	SNA	2
7-2	4	W0249	DC61-01916K	FRAME-FRONT; SCOUT,EGI-SECC,WHITE,T0.8,W6	SNA	1
7-3	4	G0429	DC61-01981A	BRACKET-FRAME; WF8804DP,GI,T0.8,W20,L310,	SA	1
8	2	W0608	DC91-12078D	ASSY WIRE DIAPHRAGM; HEBA-PJT,-,-,-,-,-	SA	1
9	3	W0435	DC63-00967A	COVER-DOOR SWITCH; AEGIS-PJT/ WF8500NHW,P	SA	1
10	3	W0105	6002-001435	SCREW-TAPPING; TH,+,2,M4,L12,PASS,STS430	SNA	3

# 4. Assy Tub&Drum

## Exploded View



## Parts List

No.	Lvl.	Loc.	Material Code	Description & Specification	SNA	Qty.
1	2	M0487	DC32-00010A	THERMISTOR; -,119820HM AT 25,-,-55~155	SA	1
2	2	W0636	DC97-16129B	ASSY SEMI TUB FRONT; SCOUT,Wf0704W7E,7kg,	SNA	1
2-1	3	W0632	DC61-01933C	TUB-FRONT; HEBA PJT,FRPP,ID528,OD575,NTR,	SA	1
2-2	3	G0422	DC97-14873B	ASSY HOSE AIR; HEBA,Wf8702,-,L150,OD25,BL	SA	1
2-2-1	4	W0615	DC61-00158A	CLAMPER HOSE; SW65ASP,SK5,ID23,T0.8/YEL	SA	1
2-2-2	4	F0100	DC65-60118J	CLIP-RING; HSWR,WHT,PI2.0/ID23	SA	1
2-2-3	4	W0437	DC67-00354A	HOSE-AIR; HEBA PJT,EPDM,-,-,T2.5,-,BLK,7k	SNA	1
2-3	3	G0043	DC97-14874C	ASSY HOSE DRAWER; HEBA BIGBANG,Wf0800NCE,	SA	1
2-3-1	4	W0615	DC61-00219G	CLAMPER HOSE; HEBA BIGBANG,SK5,ID37/OD39/	SNA	1



No.	Lvl.	Loc.	Material Code	Description & Specification	SNA	Qty.
2-3-2	4	W0624	DC67-00422A	HOSE-DRAWER TUB; HEBA-PJT,EPDM,ID42.5,OD4	SC	1
2-3-3	4	W0610	DC72-00001G	CLIP-RING; HEBA-PJT,HSWR,T2.4,ID49.5,W18,	SA	1
3	2	W0234	DC64-01827A	DOOR-DIAPHRAGM; WD8704DJF,EPDM,T1.5,H83,W	SA	1
4	2	W0744	DC65-00021A	CLAMPER HOSE-JOINT; HEBA PJT,HSWR,-,ID74/	SA	1
5	2	W0618	DC66-00531C	DAMPER-SHOCK; HEBA,STEEL+PP+RUBBER,80N,W2	SA	2
6	2		DC67-00628B	WEIGHT-BALANCE(L); SEINE,CONCRETE,T45,W24	SA	1
7	2		DC67-00629B	WEIGHT-BALANCE(R); SEINE,CONCRETE,T45,W24	SA	1
8	2	M0028	DC69-00824A	PACKING-THERMISTOR; GW-PJT,EPDM,EPDM,-,W1	SA	1
9	2	W0640	DC96-01218E	ASSY DD BLDC MOTOR; DON800,25MM/AL WIRE/0	SA	1
9-1	3	G0419	DC31-00074B	MOTOR BLDC-ASSY STATOR; DON800,0~1400,-,F	SNA	1
9-2	3		DC31-00075E	MOTOR BLDC-ASSY ROTOR; DON800,0~1400,-,Fr	SNA	1
9-3	3		DC31-00076A	MOTOR BLDC-ASSY HALL SENSOR; DON1300,0~12	SNA	1
10	2	W0636	6011-001627	BOLT-ETC; M6,L56,MFZn,SCM435,P1.0/HEX/WSP	SA	6
11	2	W0641	DC63-01294A	COVER-MOTOR; SCOUT,EGI-SECC,T0.8,W75.1,L2	SA	1
12	2	W0601	DC97-06080A	ASSY BOLT; SEW-3HR107,BOLT+WASHER,-,-,-,-	SA	1
13	2	W0601	DC97-14263A	ASSY BOLT; HEBA-PJT,MOTOR/BOLT(M8)+WASHER	SA	8
14	2	W0165	DC97-14373E	ASSY DRUM; HEBA PJT,-,7kg,1200RPM,-,-	SA	1
14-1	3	W0105	6002-001435	SCREW-TAPPING; TH,+,2,M4,L12,PASS,STS430	SNA	3
14-2	3	W0748	DC66-00489B	DRUM-FRONT; HEBA PJT(8kg),STS430,ID310.7,	SNA	1
14-3	3		DC66-00501A	DRUM-WRAPPER; HEBA PJT/7.0kg,STS430,ID492	SNA	1
14-4	3	W0747	DC66-00492C	DRUM-BACK; HEBA PJT,STAINLESS-STS430,ID48	SNA	1
14-5	3	W0619	DC66-00493A	DRUM-LIFTER; HEBA PJT,PP-TI42,L247.5,NTR,	SA	3
14-6	3	W0164	DC97-14370B	ASSY FLANGE SHAFT; HEBA PJT,-,-,1200RPM,-	SA	1
14-7	3	G0049	DC60-40137A	BOLT-HEX; MARS-PJT,STS430,M8,P1.25,L30,HE	SA	3

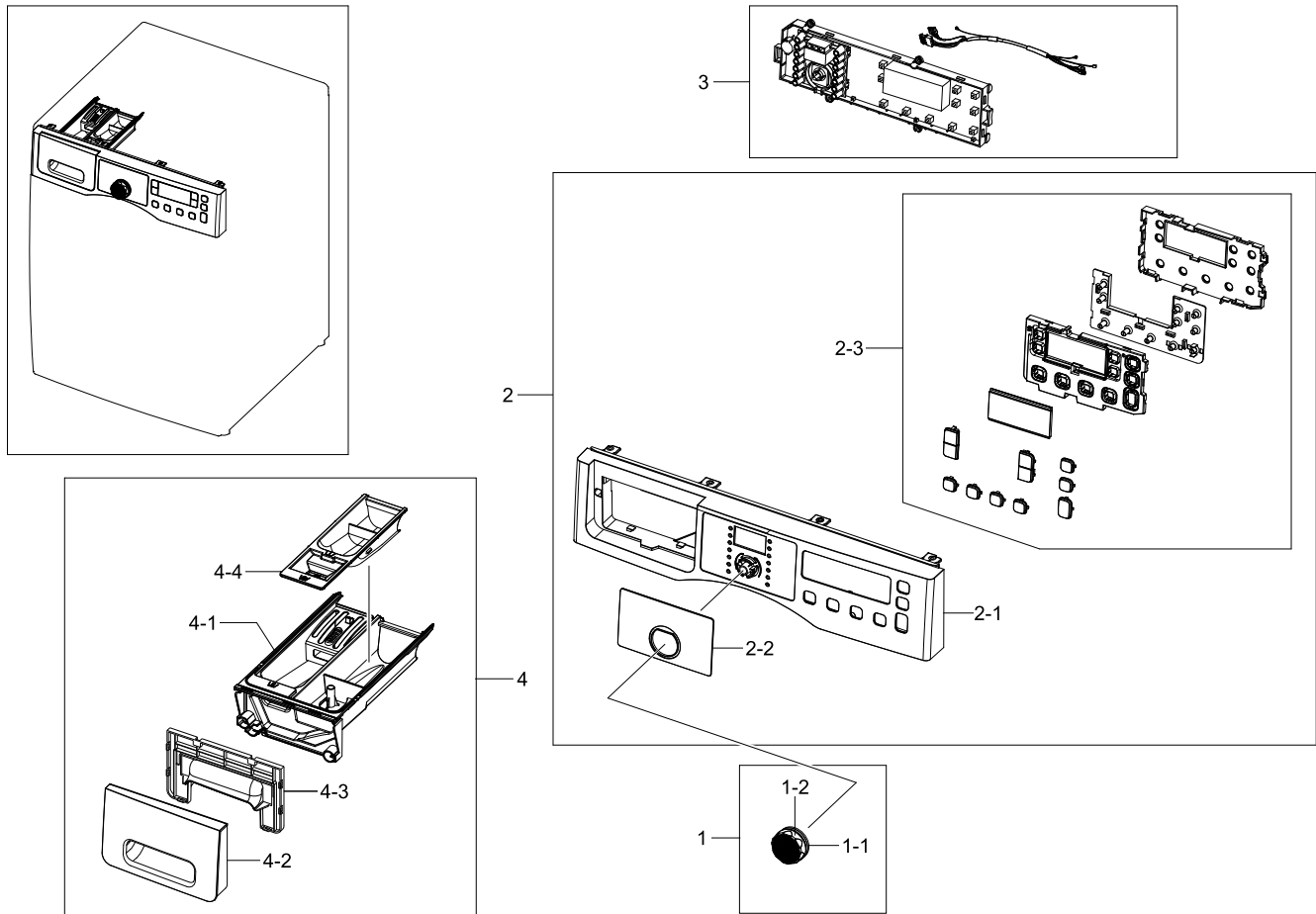
Exploded Views and Parts List

No.	Lvl.	Loc.	Material Code	Description & Specification	SNA	Qty.
15	2	M0038	DC97-14618A	ASSY CLAMP DIAPHRAGM; WF8804DP,OD2.0/L243	SA	1
16	2	W0605	DC97-14637C	ASSY HOSE PRESSURE; HEBA-COMBO,WD8704DJF,	SA	1
16-1	3	G0054	DC63-10003C	ABSORBER SPONGE; SWF-P12,PU-FOAM,GRY	SA	1
16-2	3	W0725	DC67-00230E	HOSE-WATER; WD8704,TPE,ID4.5,OD8.0,T1.75,	SNA	1
16-3	3	W0625	DC67-00293A	HOSE-FILTER TUB; HEBA-PJT,EPDM,-,-,T2.5,-	SNA	1
16-4	3		DC67-00297A	HOSE-JOINT AIR; HEBA & Aegis-PJT,PP,ID22,OD	SNA	1
16-5	3	W0610	DC72-00001H	CLIP-RING; HEBA-PJT,HSWR,PI3.0,ID35,WHT,H	SNA	1
16-6	3	M0005	DC61-70029C	SPRING-CLIP; SEW-HW125,HSWR,CD1.2,ID8.3,O	SA	1
16-7	3	W0610	DC65-60125B	CLIP-RING; HSWR,T2.4,PI25,YEL	SNA	1
17	2	G0420	DC97-14827G	ASSY HEATER; SEPM,230V/ 2000W,CERAMIC/ NT	SNA	1
17-1	3	W0110	6031-001531	WASHER-PLAIN; SCP1,ID7,OD14,T1.2,ZPC2(YEL	SA	1
17-2	3	W0237	DC47-00033A	HEATER-WASH; HEBA,SUS316L+CERAMIC COATING	SA	1
17-3	3	W0235	DC63-00889C	COVER-HEATER; HEBA_120V,ABS+PC,T3.0,W160.	SA	1
18	2	G0421	DC97-15993A	ASSY HOSE-CIRCULATION; SCOUT,WF0804Y8E,EP	SA	1
18-1	3	G0415	DC61-02646A	GUIDE-HOSE; WF0804Y8E,PP,T2.0,W10.0,L36.6	SNA	2
18-2	3	G0055	DC67-00462A	HOSE-CONNECTOR; WF0804Y8E,PP,NTR,SCOUT-PJ	SNA	1
18-3	3	G0052	DC67-00471A	HOSE-CIRCULATION; WF0804Y8E,EPDM,ID9.0,OD	SNA	1
19	2	W0501	DC97-15518A	ASSY TUB BACK; HEBA COMBO,WD8704DJF,7kg,8	SA	1
19-1	3	W0148	DC62-00008A	SEAL-OIL; NBR,BLK,NBU(PI15)	SA	1
19-2	3	W0740	DC69-01154A	PACKING-TUB; WF8804DP,EPDM,EPDM,T5.0,-,L1	SA	1
19-3	3	G0029	DC97-15517A	ASSY SEMI TUB BACK; HEBA COMBO,WD8704DJF,	SNA	1
20	2	G0049	6011-001644	BOLT-HEX; M10,L35,ZPC2(YEL),SM10C,DAMPER	SA	2
21	2	W0230	DC61-02664A	BRACKET-HEATER; HEBA,STAINLESS-ST5430,T0.	SA	1
22	2	W0105	6002-000473	SCREW-TAPPING; TH,+ ,NO,1,M4,L14,PASS,STS3	SA	2
23	2		DC93-00032C	ASSY DUCT CONDENSER; HEBA COMBO,WD8700,CO	SA	1
23-1	3	W0105	6002-001306	SCREW-TAPPING; TH,+ ,1,M4,L14,ZPC(WHT),SWR	SA	1

No.	Lvl.	Loc.	Material Code	Description & Specification	SNA	Qty.
23-2	3		DC62-00167A	NOZZLE-BALL; Q1636GW,SILICON,-,-,-,-,TS	SA	1
23-3	3	M0031	DC62-00182A	NOZZLE-CONNECTOR(U); Q1636,PC,D24,-,-,-,T	SA	1
23-4	3	M0032	DC62-00183A	NOZZLE-CONNECTOR(L); Q1636,PC,D24,-,-,-,T	SA	1
23-5	3	W0615	DC65-00008A	CLAMPER HOSE; SEW-DR605,SK5,-,-, YEL,ID14.	SA	4
23-6	3	W0744	DC65-00021B	CLAMPER HOSE-JOINT; HEBA-PJT,HSWR,ID68,NT	SNA	2
23-7	3	W0151	DC67-00051M	HOSE-DRAWER; SCOUT CB,EPDM,ID9.0,OD14.5,L	SNA	1
23-8	3	W0755	DC67-00369A	HOSE-CONDENSER; HEBA COMBO,EPDM,ID60,OD65	SA	1
23-9	3	W0725	DC67-00418A	HOSE-WATER; HEBA-COMBO,EPDM,ID9,OD14.5,T2	SA	1
23-11	3	W0639	DC93-00031B	ASSY S.DUCT CONDENSER; HEBA COMBO,WD8700,	SA	1
23-12	3	M0029	DC69-00640A	PACKING-FILTER; DRUM W/M,SILICON,T2.5,BLK	SA	1

# 5. Panel Control&Drawer

## Exploded View



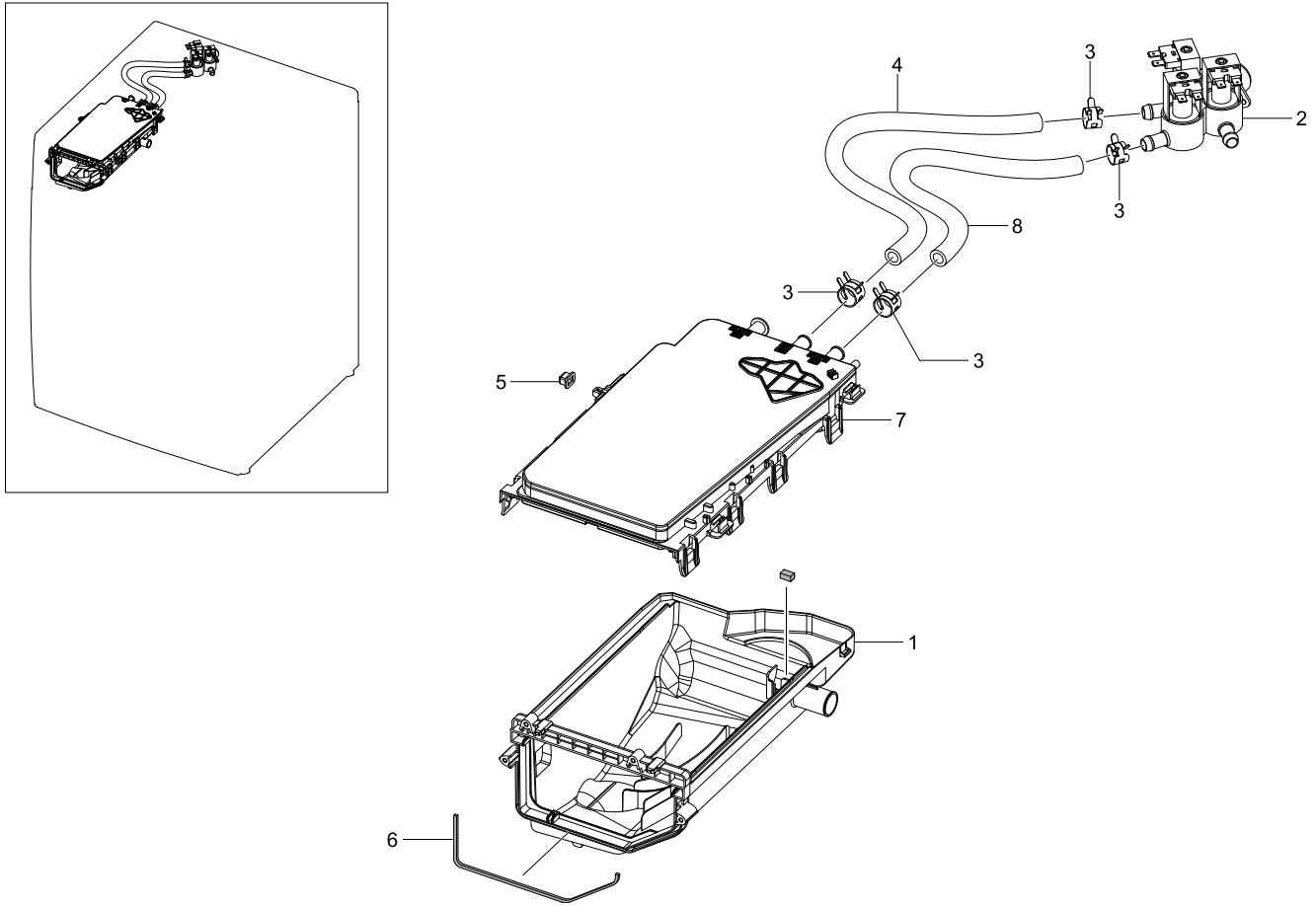
## Parts List

No.	Lvl.	Loc.	Material Code	Description & Specification	SNA	Qty.
1	2	W0475	DC97-16996A	ASSY KNOB ENCODER; BAIKAL-PJT,WF702Y4BKWD	SA	1
1-1	3	W0193	DC64-01927B	KNOB-ENCODER; WF702Y4BKWQ/LP,ABS,T2.5,W49	SNA	1
1-2	3	W0456	DC64-02800A	DECORATION-ENCODER; BAIKAL-PJT,ABS,T2.5,N	SNA	1
2	2	W0478	DC97-16875M	ASSY PANEL CONTROL; SCOUT COMBO,WD0804W8E	SA	1
2-1	3	W0181	DC64-02165A	PANEL-CONTROL; WF0804Y8E,ABS,T2.5,W143.8,	SNA	1
2-2	3	G0443	DC64-02719L	WINDOW-ENCODER; WD0804W8E/XEU,PC,T0.5,W15	SA	1
2-3	3	G0431	DC97-16571E	ASSY BUTTON; SCOUT COMBO,WD0804W8E/XSV,WH	SNA	1
3	2	W0469	DC92-00532A	ASSY PCB SUB; SCOUT SUB,WD0804W8E/YAH,8KG	SA	1

No.	Lvl.	Loc.	Material Code	Description & Specification	SNA	Qty.
4	2	W0216	DC97-16021A	ASSY DRAWER; SCOUT,WF0804Y8E	SA	1
4-1	3	W0156	DC61-02580A	BODY-DRAWER; WF0800NCE,PP,T2.0,L265,W154,	SA	1
4-2	3	W0112	DC64-02173A	PANEL-DRAWER; WF0804Y8E,ABS,T2.5,W183.4,L	SA	1
4-3	3	W0218	DC64-01527F	HANDLE-DRAWER; HEBA-PJT,HIPS,T2.0,WHT	SA	1
4-4	3	W0215	DC67-00452A	CAP-RINSE; WF0800NCE,PP,T2.0,W66.5,L219,E	SA	1

# 6. Assy Housing Drawer

## Exploded View

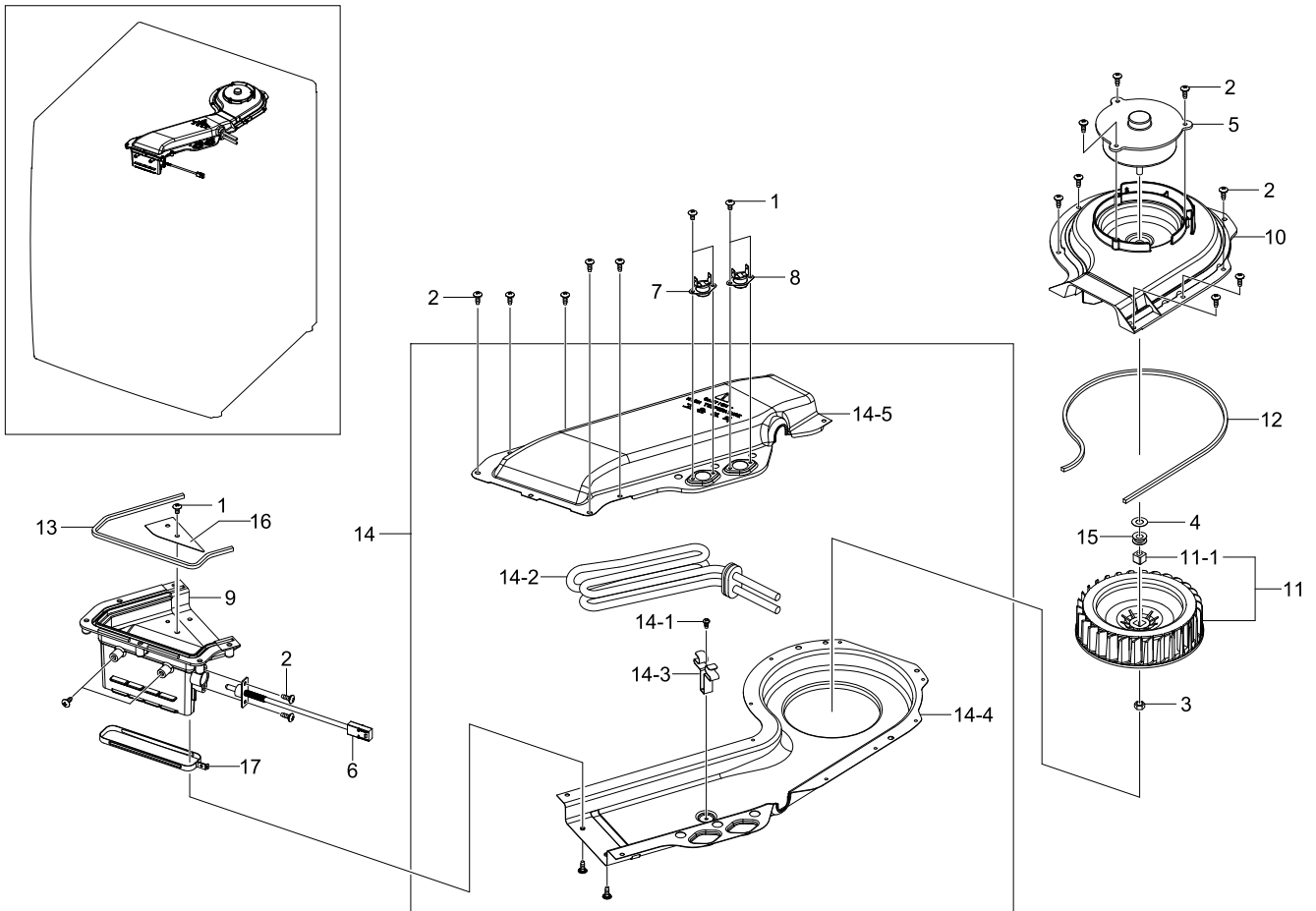


## Parts List

No.	Lvl.	Loc.	Material Code	Description & Specification	SNA	Qty.
1	3	G0414	DC61-02434A	HOUSING-DRAWER L; HEBA-PJT,PP,T1.8,NTR	SA	1
2	3	W0078	DC62-00233B	VALVE-WATER; BONANZA2,-,-,-,-,3WAY	SA	1
3	3	W0615	DC65-00008A	CLAMPER HOSE; SEW-DR605,SK5,-,-,-,YEL,ID14.	SA	4
4	3	W0151	DC67-00051N	HOSE-DRAWER; SCOUT CB,EPDM,ID9.0,OD14.5,L	SA	1
5	3		DC67-00327A	CAP-DRAWER HOOK; HEBA-PJT,EPDM,T1.1,W13.9	SA	1
6	3	G0054	DC72-00021A	ABSORBER SPONGE; Q1635V,PE-FOAM,OD6,L170,	SNA	1
7	3	W0497	DC97-16006A	ASSY S.HOUSING DRAWER; SCOUT,WF0804Y8E,PP	SA	1
8	3	W0151	DC67-00051P	HOSE-DRAWER; SCOUT,EPDM,ID9.0,OD14.5,L210	SA	1

## 7. Assy Duct Scroll

### Exploded View



### Parts List

No.	Lvl.	Loc.	Material Code	Description & Specification	SNA	Qty.
1	3	W0105	6002-000239	SCREW-TAPPING; TH,+,NO,2S,M4,L8,ZPC(WHT),	SA	3
2	3	RW028	6002-000231	SCREW-TAPPING; TH,+,NO,2S,M4,L12,ZPC(WHT)	SNA	23
3	3	W0766	DB60-30004A	NUT-FLANGE; FL NUT,M6,ZPC(WHT),SWRCH18A,P	SNA	1
4	3	W0110	6031-001500	WASHER-PLAIN; N6M03,-,ID8,OT17,T0.2,-,-	SA	1
5	3	W0645	DC31-00032D	MOTOR BLDC-FAN; DL-7806SSWC,1900,-,17.5VD	SA	1
6	3	M0487	DC32-00004C	THERMISTOR; PTM-K51F-S16,R=3.3K $\pm$ 1% (at	SA	1
7	3	W0758	DC47-00016B	THERMOSTAT; -,PW-3V,250,25A,-35,125 $\pm$ -5.0,	SA	1
8	3	W0758	DC47-00016C	THERMOSTAT; -,PBR380P,250,16A,-35,125 $\pm$ -5.	SA	1
9	3	G0439	DC61-02224A	HOUSING-FAN(L/F); HEBA-COMBO,Nylon#66,T2.	SA	1

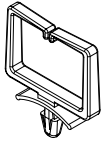


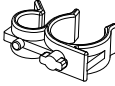


Exploded Views and Parts List

No.	Lvl.	Loc.	Material Code	Description & Specification	SNA	Qty.
10	3	G0440	DC61-02229A	HOUSING-FAN(U/R); HEBA-COMBO,Nylon#66,T3.	SA	1
11	3	W0763	DC67-00366A	FAN-DRY; HEBA,NYLON,OD138.0,30EA,T2.0,HEB	SA	1
11-1	4		DC61-01096A	BUSH-FAN; ALDC,10.4*10.4,INSERT-PART	SNA	1
12	3		DC69-01039E	PACKING-DUCT; WM PW01 FWM MODEL,Rubber,SI	SA	1
13	3		DC69-01039G	SEAL DUCT; WM PW01 FWM MODEL,Rubber,OTHER	SNA	1
14	3	G0441	DC93-00056A	ASSY DUCT SCROLL-SUB; HEBA-COMBO,WM PW01	SA	1
14-1	4	RW028	6002-000231	SCREW-TAPPING; TH,+,NO,2S,M4,L12,ZPC(WHT)	SNA	1
14-2	4	W0646	DC47-00008F	HEATER-DRY; -,HEBA-DD COMBO,Incoloy800,16	SA	1
14-3	4	W0230	DC61-02643A	BRACKET-HEATER; WD8754CJZ,STAINLESS-STS43	SA	1
14-4	4	W0759	DC61-02225A	HOUSING-FAN(L); HEBA-COMBO,STS430,T0.6,W2	SNA	1
14-5	4	W0760	DC61-02226A	HOUSING-FAN(U/F); HEBA-COMBO,STS430,T0.6,	SNA	1
15	3	W0655	DC62-00191A	SEAL-WATER; SEW-DR605,NBR,ORG,-,-,-,RUBBE	SNA	1
16	3		DC63-01067A	COVER-HOUSING DUCT; HEBA-COMBO,STAINLESS-	SNA	1
17	2	W0762	DC66-00504A	JOINT-DIAPHRAGM; WF8804DP,EGI,-,-,T1.0,11	SA	1



## 8. Small Parts

### Exploded View

					
1	2	3	4	5	6

### Parts List

No.	Lvl.	Loc.	Material Code	Description & Specification	SNA	Qty.
1	2	W0623	DC61-60074A	HOLDER-WIRE; PA,NTR,NYLON#66(DAWS-6NB)	SA	5
2	2	W0623	DC61-40081A	HOLDER-WIRE; DAWH-2NC,PA,NTR(PI19.4)	SA	8
3	2	W0623	DC61-00995C	HOLDER-WIRE; HEBA-PJT,Others,ID26,W6,L145	SA	1
4	2	W0616	DC61-00133A	CLAMPER HOSE-FIX; P1291,PP,ID24.5,OD29.5,	SA	1
5	2	W0616	DC61-00118A	CLAMPER HOSE-FIX; P1291,NYLON66,ID27,OD30	SA	1
6	2	W0623	DC61-02879A	HOLDER-WIRE; WF8804CPA,PA,L58.6,NATURAL	SA	1