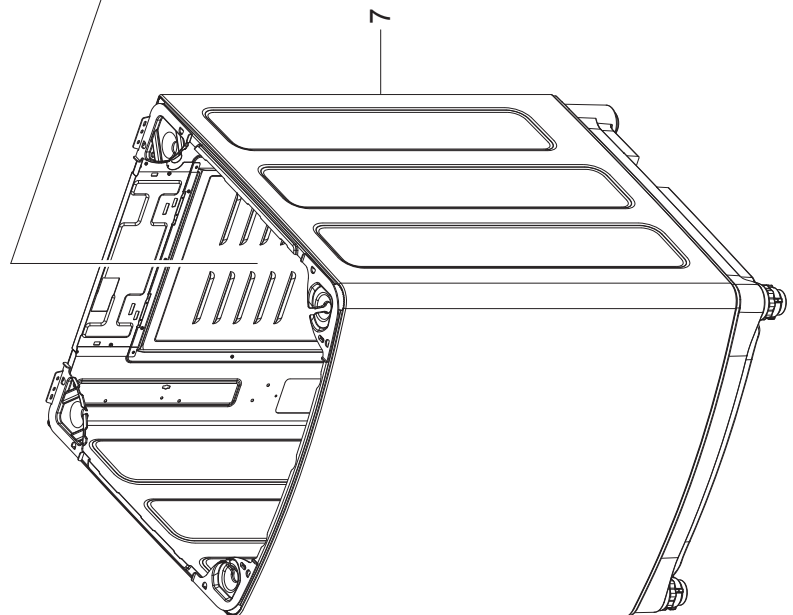
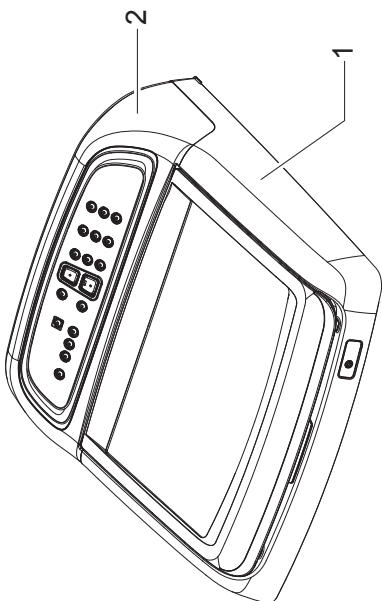
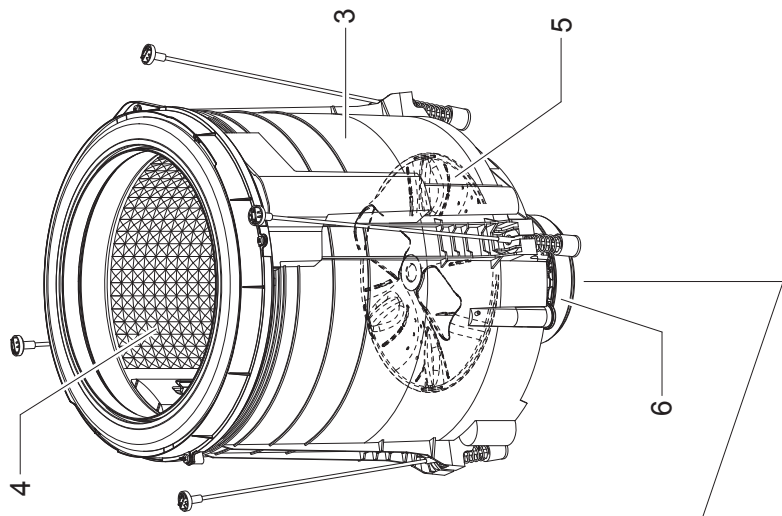
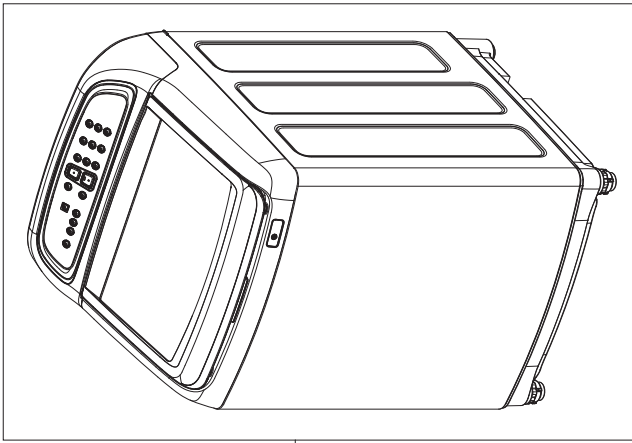


1. MAIN

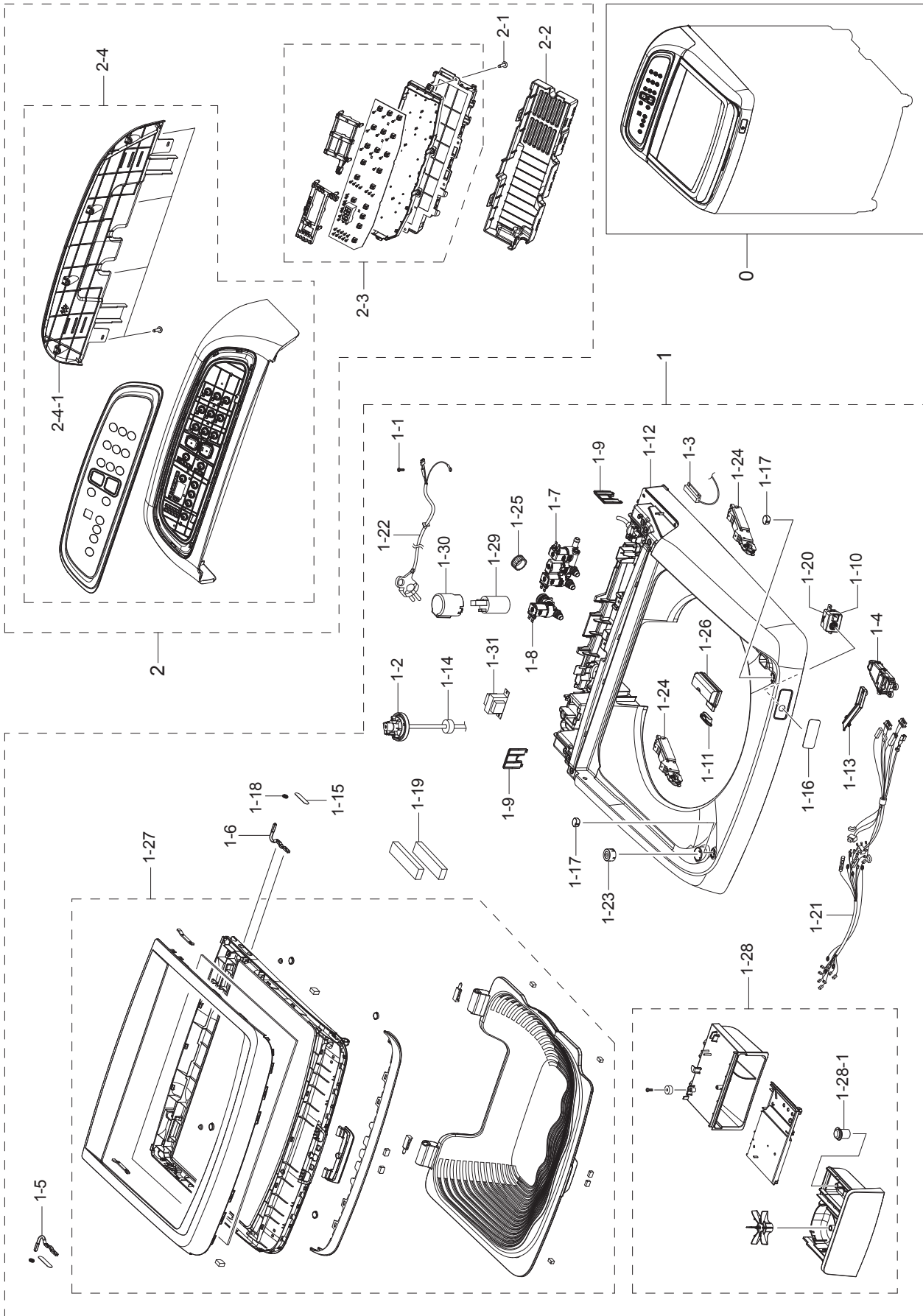


MODEL CODE: WA16J6750LS

Service Bom (SA : SERVICE AVAILABLE, SNA : SERVICE NOT AVAILABLE)

Drawing No.	Code No.	Description	Specification	QTY	Un	SA/SNA
0	WA16J6750LS	ASSY-WASHING MACHINE	WA6700JL			
1	DC90-21632A	ASSY COVER TOP	WA6700JL DD MOTOR,WA16J6750LP/ZS	1	PC	SNA
2	DC90-21627A	ASSY PANEL CONTROL	WA6700JL DD MOTOR,WA16J6750LP/PE,ZS	1	PC	SNA
3	DC90-21623A	ASSY TUB OUTER	WA6700JL DD,13 Kg Capa	1	PC	SNA
4	DC97-17546A	ASSY BASKET SPIN	WA-F700,WA16F7 13KG	1	PC	SA
5	DC97-17644A	ASSY PULSATOR	WA6700, W3050 F700,13KG	1	PC	SA
6	DC90-13951A	ASSY DRIVING MODULE	WA18F7L8DTA/PE	1	PC	SNA
7	DC97-18743A	ASSY FRAME	WA6700JL,WA16J6730L,INOX GRAY	1	PC	SA

2. ASSY COVER TOP PARTS



MODEL CODE: WA16J6750LS

Service Bom (SA : SERVICE AVAILABLE, SNA : SERVICE NOT AVAILABLE)

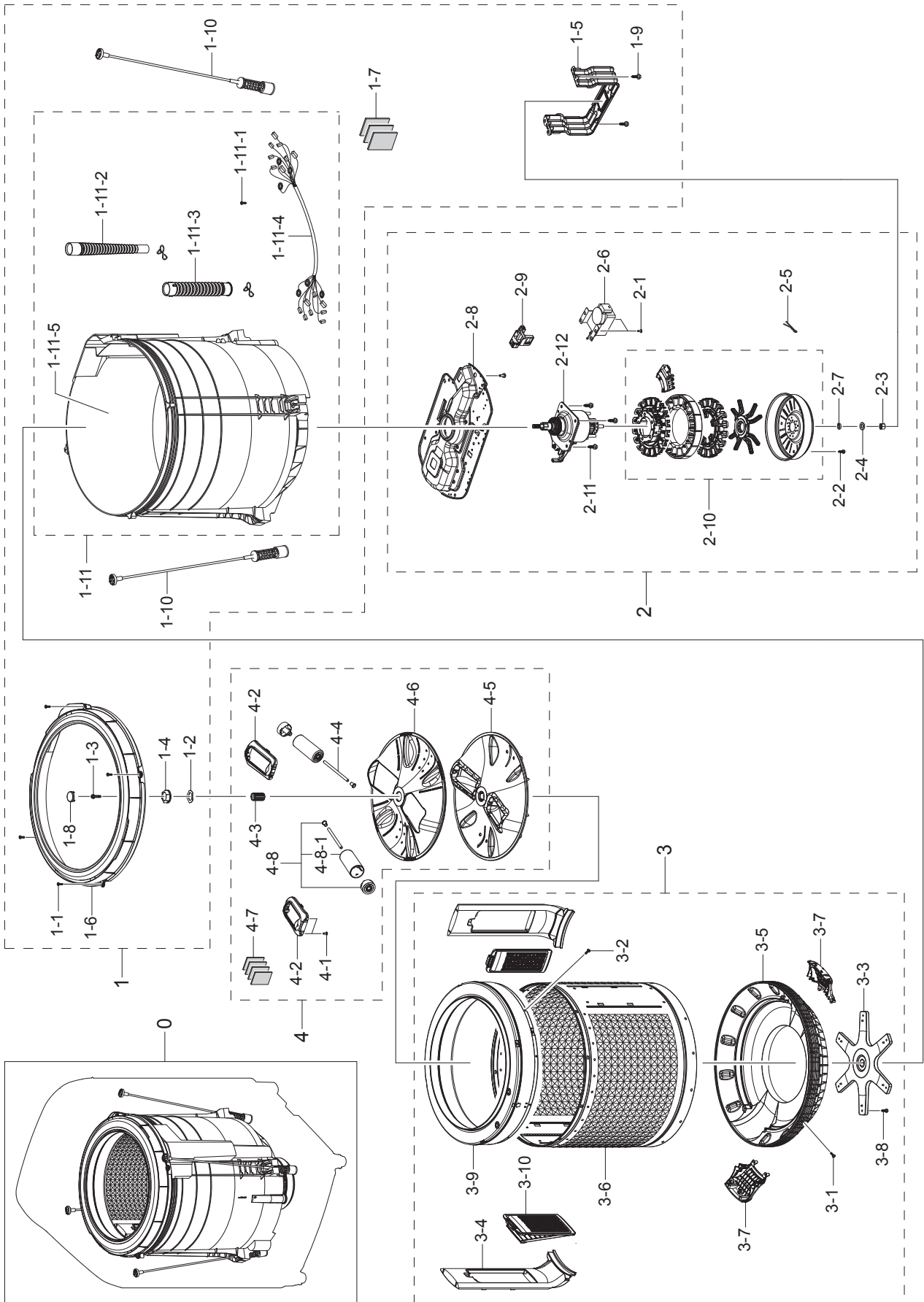
Drawing No.	Code No.	Description	Specification	QTY	Un	SA/SNA
0		ASSY COVER TOP PARTS	WA6700JL	1		
1	DC90-21632A	ASSY COVER TOP	WA6700JL DD MOTOR,WA16J6750LP/ZS	1	PC	SNA
2	DC90-21627A	ASSY PANEL CONTROL	WA6700JL DD MOTOR,WA16J6750LP/PE,ZS	1	PC	SNA
1-1	6006-001170	SCREW-TAPPING	TH,+ ,WT,2,M4,L10,ZPC(WHT),SWRC H18A	3	PC	SA
1-2	DC32-30006S	SENSOR PRESSURE	Air,5,800mm,600mmH2O	1	PC	SA
1-3	DC34-00001G	SWITCH REED	14~30,370mm,25.4±0.5mm,14mm,30mm,370mm,360mm	1	PC	SA
1-4	DC34-00025B	SWITCH DOOR LOCK	DC12V,0.5,MOTOR	1	PC	SA
1-5	DC61-03553B	GUIDE PIN	F550,LEFT,GI-SGCC,-,-,-	1	PC	SA
1-6	DC61-03554B	GUIDE PIN	F550,RIGHT,GI-SGCC,-,-,-	1	PC	SA
1-7	DC62-00266E	VALVE WATER	AC220-240V,Rubber Sealing, Mist Shower,mm,#250,1in,3out,PA66,20,20-5-5	1	PC	SA
1-8	DC62-30314N	VALVE WATER	AC220-240V,Rubber Sealing, 270°, 1in 1out,mm,ORG,#250,1,1,PA66,20,20	1	PC	SA
1-9	DC63-01579A	COVER GUIDE WIRE	W3050,PP,T2.0,INNER GRAY,CNTK-P101	2	PC	SNA
1-10	DC63-01791A	COVER PCB	WA5600JC,ABS,T2.0,HB,NATURAL,HI-121H,best model	1	PC	SNA
1-11	DC63-01844B	COVER NOZZLE	WA16J6750J,ABS,T1.5,-,Honesty Blue Light,SR-0300,BL0141	1	PC	SNA
1-12	DC63-01845F	COVER TOP	WA6700JL,ABS,T3.0,HB,INOX GRAY, HG0760GP,GY0034, DAC-GR0802S, SPRAY,BETTER	1	PC	SNA
1-13	DC63-01846A	COVER DOOR SWITCH	WA15J6740JK,PP,T1.5,BLACK,RM60(SEC),COPO(TSE)	1	PC	SNA
1-15	DC64-02822W	INLAY	PET,EBONY BLACK,(BK0018), Door Side	2	PC	SNA
1-16	DC64-03246D	INLAY	WA6(5)700J,ENG,PET,INOX GRAY, WATER JET ON/OFF, DAC-GR0902S, T0.188,ENGLISH	1	PC	SA
1-17	DC67-00453B	CAP SCREW	F750L,SILICON,T6.0,-,DARK HOLDER GRAY,GY0162	2	PC	SA
1-18	DC67-00637B	CAP HINGE	F750L,POM,-,-,K300,DARK HOLDER GRAY,(GY0162)	2	PC	SNA
1-19	DC69-00923B	CUSHION DOOR	DRUM,EPS,T8,W39,L65,WHT, DOOR+F/FRONT	2	PC	SNA
1-20	DC92-01734A	ASSY PCB SUB	OWM_AC,WA6700/5700,20*30,ACTIVE WASHER KEY	1	PC	SNA
1-21	DC93-00559B	ASSY WIRE HARNESS-MAIN	WA6700, DDM, WIRE HARNESS-MAIN_16kg	1	PC	SA
1-22	DC96-00225E	CBF-POWER CORD	AT,CHILE,IT3S-5,Gray,1500, H05VV-F 0.75mm^2x3C,IMQ	1	PC	SA
1-23	DC97-04374A	ASSY L.H	INNO2-PJT,-,-,-,-	1	PC	SA
1-24	DC97-16923H	ASSY HINGE	WA6700J,WA16J6730KS	2	PC	SNA
1-25	DC97-17164A	ASSY CAP V.W	ELECTRIC WASHER,OWM MODEL	1	PC	SNA
1-26	DC97-18315B	ASSY NOZZLE	WA6700J,WA16J6750K	1	PC	SNA
1-27	DC97-18759D	ASSY LID T.C	WA6700JL,DD MOTOR,16 KG,EBONY BLACK	1	PC	SA
1-28	DC97-18772A	ASSY DETERGENT	WA6700JL,WA18J6730LP, WA16J6710LP	1	PC	SA
1-28-1	DC67-00080N	CAP RINSE	W3050-PJT,ABS,T0.2,-,SR-0300,Honesty Blue Light,BL0141	1	PC	SA

MODEL CODE: WA16J6750LS

Service Bom (SA : SERVICE AVAILABLE, SNA : SERVICE NOT AVAILABLE)

Drawing No.	Code No.	Description	Specification	QTY	Un	SA/ SNA
1-29	DC29-00022C	FILTER EMI	LFT-215W-14,11mH+50%,- 30%/1/19,42*91.5*PI42,8,AC250V,C AN,-25~-+85	1	PC	SNA
1-30	DC63-01580A	COVER FILTER	W3050,ABS,T1.5,5VA,NATURAL, VE-0858	1	PC	SNA
1-31	DC26-00009M	COIL HARMONIC	8.5mH,±15%,EI 48mm S-30NA,190Ts, 2UEW,0.9pi,3A,0.7 ohm,48*40,BOX	1	PC	SNA
2-1	6002-001306	SCREW-TAPPING	TH,+,1,M4,L14,ZPC(WHT),SWRCH18A	2	PC	SNA
2-2	DC63-01847A	COVER PCB	WA6700,ABS,T2.5,5V- A,NATURAL,VE-0858	1	PC	SNA
2-3	DC92-01747T	ASSY KIT	OWM_INV,WA6700JL,Latin,220V,13kg	1	PC	SA
2-4	DC97-18763A	ASSY S.PANEL CONTROL	WA18J6730LP/WA16J6730LP,SPANISH, BETTER	1	PC	SA
2-4-1	DC63-01848R	COVER PANEL	WA6700JS,H+C,ABS,T2.5,INOX GRAY, HG-0760GP,GP-35,GY0034,NO SPRAY	1	PC	SA

3. ASSY TUB PARTS



MODEL CODE: WA16J6750LS

Service Bom (SA : SERVICE AVAILABLE, SNA : SERVICE NOT AVAILABLE)

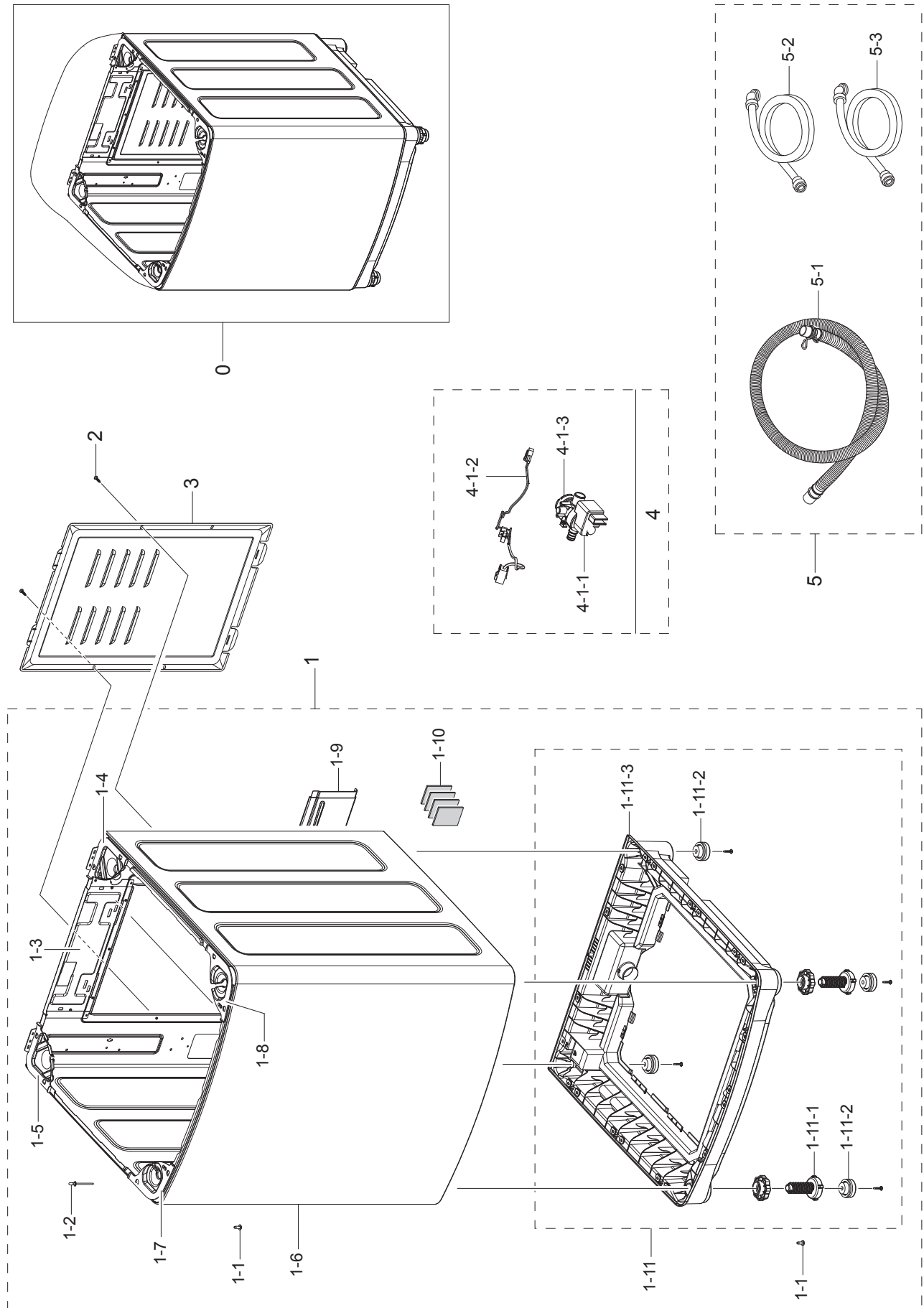
Drawing No.	Code No.	Description	Specification	QTY	Un	SA/SNA
0		ASSY TUB PARTS	WA6700JL	1		
1	DC90-21623A	ASSY TUB OUTER	WA6700JL DD,13 Kg Capa	1	PC	SNA
2	DC90-13951A	ASSY DRIVING MODULE	WA18F7L8DTA/PE	1	PC	SNA
3	DC97-17546A	ASSY BASKET SPIN	WA-F700,WA16F7 13KG	1	PC	SA
4	DC97-17644A	ASSY PULSATOR	WA6700, W3050 F700,13KG, STS-PULSATOR, PP-ROLLER	1	PC	SA
1-1	6002-001160	SCREW-TAPPING	TH,+,NO,2,M5,L16,PASS,STS430	4	PC	SNA
1-2	DC60-00006A	WASHER WAVE	STS301,ID24.7,OD40,T0.8,NTR	1	PC	SNA
1-3	DC60-40133A	BOLT PULSATOR	AUTOMATIC 8-10kg,STS430,L25,M8	1	PC	SA
1-4	DC60-50004A	NUT SPIN	ZNDC,M24,L14,CW	1	PC	SNA
1-5	DC61-03560B	SUPPORT SADDLE	W3050_DDM,GI-SGCC,T1.0,-,-	1	PC	SA
1-6	DC63-00251C	COVER TUB	WA17XPM,PP,T2.0,-,KTL GRAY,TB-53, WIDE BALANCER,GY0260	1	PC	SA
1-7	DC63-10008A	ABSORBER SPONGE	SEW-1095,PE FOAM,T10,-,-,W50,L50	3	PC	SNA
1-8	DC66-00032E	PULSATOR CAP	WA-MB159NW,ABS,Cr Plating	1	PC	SA
1-9	DC97-04458E	ASSY SCREW	W3050,F700K DDM,-,-,F_TYPE/M8/L20/ NO_LOCTIT	4	PC	SNA
1-10	DC97-16350N	ASSY DAMPER	OWM,DF1.0,K0.322,626	4	PC	SA
1-11	DC97-17864B	ASSY SEMI TUB OUTER	WA600JL, DDM, 120V	1	PC	SNA
1-11-1	6006-001170	SCREW-TAPPING	TH,+,WT,2,M4,L10,ZPC(WHT),SWRC H18A	1	PC	SA
1-11-2	DC62-00092A	HOSE DRAIN	SW85ASP,EPDM,L286,BLACK,HIGH-PUMP	1	PC	SA
1-11-3	DC62-10291B	HOSE PUMP	WSLS1100A,EPDM,ID30.5(PUMP),ID44.5(TUB),L252,BLK,HS.50(GE-PJT)	1	PC	SA
1-11-4	DC93-00557A	ASSY WIRE HARNESS-SUB	AUTO,WA6700J DD COMMON,REAR,DD	1	PC	SA
1-11-5	DC97-08071D	ASSY TUB OUTER	10 KG MODELS,PW70 / SEM,-,-,-,-	1	PC	SA
2-1	6002-000241	SCREW-TAPPING	TH,+,-,2S,M5,L12,ZPC(WHT),SWRCH18A,-	2	PC	SNA
2-2	6011-004528	BOLT-ETC	M6,L45,MFZn,SCM435,P1.0/HEX/WSP	5	PC	SNA
2-3	6021-001253	NUT-HEXAGON	1C,M10x1.5,ZPC(WHT),SM20C,NYLON	1	PC	SNA
2-4	6031-002269	WASHER-PLAIN	STS304,ID12.5,OD30.0,T3.0	1	PC	SNA
2-5	6043-001105	PIN-SPLIT	ID4.8/D1.6,L45,WHT,MSWR10	1	PC	SNA
2-6	DC31-20014L	MOTOR DRAIN	SWD-218,220~240V,50Hz/60Hz,BKT 18.1mm,Top Loading,5~6 RPM,4W	1	PC	SA
2-7	DC60-60046A	FASTENER-SPRING	HUDSON,MSWR-SWRH,SSEC,ID11.5;OD19;T2.8,T2.8	1	PC	SNA
2-8	DC61-70061B	DIE-MOTOR	SEW-M103,GI-SGCC,-,-,SEM-10T(10KG)	1	PC	SNA
2-9	DC66-00692A	LINK DRAIN	PP,NTR,BJ730	1	PC	SA
2-10	DC93-00309A	ASSY DD BLDC MOTOR	HUDSON,SDM700,F,3P 220V (PWM DC310V),Free,1000	1	PC	SA
2-11	DC97-04458C	ASSY SCREW	SEW-3G100A,-,-,D_TYPE/M8/L20/ NO_LOCTIT	4	PC	SA
2-12	DC97-17657A	ASSY CLUTCH	W3050,F700K	1	PC	SA
3-1	6002-000444	SCREW-TAPPING	TH,+,2,M4,L14,PASS,STS430	8	PC	SNA
3-2	6002-001186	SCREW-TAPPING	TH,+,-,2,M5.5,L16,PASS,STS430,-	10	PC	SNA

MODEL CODE: WA16J6750LS

Service Bom (SA : SERVICE AVAILABLE, SNA : SERVICE NOT AVAILABLE)

Drawing No.	Code No.	Description	Specification	QTY	Un	SA/SNA
3-3	DC60-00023A	FLANGE SHAFT	PT-PJT,ALDC12	1	PC	SA
3-4	DC61-03446A	GUIDE W.F	WA85GWWIP,PP,T2.5,-,BJ750,KTL GRAY,GY0260	2	PC	SNA
3-5	DC61-03445A	BASKET BOWL	WA85GWWIP,STAINLESS-ST5430,T1.0	1	PC	SNA
3-6	DC61-03447A	BASKET WRAPPER	WA85GWWIP,STAINLESS-ST5430,T0.4,W407,L1635,	1	PC	SNA
3-7	DC67-00661A	CAP BOWL	WA85GWWIP,PP,T2.5,SSPP-640,BLACK	2	PC	SNA
3-8	DC91-11258N	ASSY SCREW	F900A,SPIN+FLANGE,M6xL18/ST5430	6	PC	SNA
3-9	DC97-01806C	ASSY BALANCER	WA17XPM,KTL-GRY/WIDE BALANCER,-,-,-	1	PC	SA
3-10	DC97-16513C	ASSY FILTER	RAINNO-T,WA-RB179NK	2	PC	SA
4-1	6002-001435	SCREW-TAPPING	TH,+2,M4,L12,PASS,ST5430	8	PC	SNA
4-2	DC63-01585A	COVER PULSATOR	W3050-2ND WOBBLE 13kg,PP,T2.5,KTL GRAY,TB53(SEM,SEC),MT43(TSE)	2	PC	SNA
4-3	DC66-00024A	BUSH PULSATOR	ST5304,SERRATION12X11X1,OD23,SEM-10T(10KG)	1	PC	SNA
4-4	DC66-00696A	SHAFT ROLLER	WA-GA139WA,ST5304,L126.5,OD8.0,GAIA-BIG	2	PC	SNA
4-5	DC66-00785A	PULSATOR-LOWER	W3050-2ND WOBBLE 13kg,PP,NATURAL	1	PC	SNA
4-6	DC66-00797A	PULSATOR-UP	W3050-2ND WOBBLE 13kg,STAINLESS-DY02,NATURAL	1	PC	SNA
4-7	DC72-00100A	ABSORBER SPONGE	WA-MB159NW,PE FOAM,T3.0,-,-,W20,L20,MAX-KT	4	PC	SNA
4-8	DC97-16821A	ASSY ROLLER	GAIA-BIG WOBBLE,GAIA-BIG WOBBLE	2	PC	SNA
4-8-1	DC61-03200A	BODY ROLLER	WA-GA139WA,POM,KTL GRAY,GY0260	1	PC	SNA

4. ASSY FRAME & CASE


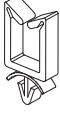





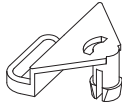



MODEL CODE: WA16J6750LS

Service Bom (SA : SERVICE AVAILABLE, SNA : SERVICE NOT AVAILABLE)

Drawing No.	Code No.	Description	Specification	QTY	Un	SA/SNA
0		ASSY FRAME & CASE	WA6700JL	1		
1	DC97-18743A	ASSY FRAME	WA6700JL,WA16J6730L,INOX GRAY	1	PC	SA
1-1	6002-001306	SCREW-TAPPING	TH,+,1,M4,L14,ZPC(WHT),SWRCH18A	4	PC	SNA
1-1	6002-001306	SCREW-TAPPING	TH,+,1,M4,L14,ZPC(WHT),SWRCH18A	11	PC	SNA
1-2	6041-001035	RIVET-RH	K1661-0512,AL(A5052),OD3.9,L11,NTR	6	PC	SNA
1-3	DC61-00103K	FRAME PLATE-UP	SEM,GI-SGCC,NATURAL,T0.5	1	PC	SNA
1-4	DC61-01288A	FRAME CORNER-REAR RIGHT	SEW-3G100A,GI-SGCC,-,-,T1.8,BTM	1	PC	SNA
1-5	DC61-01289A	FRAME CORNER-REAR LEFT	SEW-3G100A,GI-SGCC,-,-,T1.8,BTM	1	PC	SNA
1-6	DC61-03587D	FRAME	WA-F700L,GI-SGCC,INOX,T0.6,GY9003, VCMAL,ALF, HANDLE	1	PC	SNA
1-7	DC61-03668A	FRAME CORNER-FRONT LEFT	W3050-F700L,GI-SGCC,-,-,T1.8,-	1	PC	SNA
1-8	DC61-03669A	FRAME CORNER-FRONT RIGHT	W3050-F700L,GI-SGCC,-,-,T1.8,-	1	PC	SNA
1-9	DC61-30336D	FRAME PLATE-LOW	SEWHS100,GI-SGCC,-,-,T0.5,PW01	1	PC	SNA
1-10	DC63-10056B	ABSORBER SPONGE	PUR FOAM,T15,W60,L120,WHT,KIMO+TRI	4	PC	SNA
1-11	DC90-13067A	ASSY BASE	WA-F700L,WA16F8DTA	1	PC	SNA
1-11-1	DC61-01722B	LEG ADJUST	SEW-RA169N,PP,BLACK,L81.5	2	PC	SA
1-11-2	DC61-03191C	LEG RUBBER	IIR,BLACK,70Hs	4	PC	SA
1-11-3	DC61-03583B	BASE	F700,PP COPO,PP,BLACK,FH44N, BK0001,12,13,14kg,LOW BASE, NO PUMP	1	PC	SNA
2	6002-000239	SCREW-TAPPING	TH,+,NO,2S,M4,L8,ZPC(WHT),SWRC H18A	4	PC	SNA
3	DC61-10571B	COVER BACK	GI-SGCC,T0.35,EDGE-BENDING	1	PC	SA
4	DC90-21639A	ASSY BUYER	WA6700JL DD,WA16J6750LP_ZS	1	PC	SNA
4-1	DC96-01113F	ASSY PUMP DRAIN	WA13R3Q3EW/XBG,-,-,220-240V/50HZ,HANYU	1	PC	SA
4-1-1	DC31-00030H	PUMP-DRAIN	220V-240V,50Hz,30W,18L/min	1	PC	SA
4-1-2	DC96-00605A	ASSY WIRE PUMP	W3050	1	PC	SA
4-1-3	DC97-09928C	ASSY FILTER	Q2,SVC/2LEGS,-,-	1	PC	SC
5	DC90-18161A	ASSY ACCESSORY	WA6700JL, ZS,PE	1	PC	SNA
5-1	DC97-00139C	ASSY HOSE DRIAN(O)	SW65ASP2/SW55APP2, PUMP-TYPE,-,-,-,-	1	PC	SA
5-2	DC97-17845A	ASSY HOSE WATER	COLD,ALL MODEL	1	PC	SA
5-3	DC97-17845B	ASSY HOSE WATER	HOT,ALL MODEL	1	PC	SA

5. SMALL PARTS

				
1	2	3	4	5
				
6	7	8	9	

MODEL CODE: WA16J6750LS

Service Bom (SA : SERVICE AVAILABLE, SNA : SERVICE NOT AVAILABLE)

Drawing No.	Code No.	Description	Specification	Inst point	QTY	Un	SA/SNA
1	DC65-60125B	CLIP RING	HSWR-SWRH,PI2.4,ID25,-	HOSE-AIR	1	PC	SNA
2	DC61-00553B	CABLE CLAMP	DAWS-3NE,PA66,NTR	DIE-MOTOR	2	PC	SNA
2	DC61-00553B	CABLE CLAMP	DAWS-3NE,PA66,NTR	FRAME REAR	3	PC	SNA
3	DC61-60067B	CLAMPER HOSE	-,SK5,SNC2,ID7.5/ W6/T0.6,-,-	SENSOR PRESSURE	1	PC	SNA
4	DC65-00008A	CLAMPER HOSE	SEW-DR605,SK5,-,ID14.2/T0.9	H+NOZZLE,H+VALVE	2	PC	SNA
5	6502-000127	CABLE CLAMP	DAWH-18NB,PA66,NTR	COVER TOP	1	PC	SNA
5	6502-000127	CABLE CLAMP	DAWH-18NB,PA66,NTR	FRAME REAR	1	PC	SNA
6	DC61-40086A	HOLDER WIRE	DAWH-3NB,PA,T1.8,NATURAL,-,KN3311	DIE-MOTOR	1	PC	SA
7	DC66-10003B	WIRE VINYL	SEW-100JL,PVC,,,,,,,,,T2.0*L150,	TUB-OUTER	1	PC	SNA
8	DC63-00579C	COVER WIRE	F700,PP,T2.0,-,-,BJ750	FRAME	1	PC	SA
9	6501-000121	CABLE TIE	DA-368,T1.5,W7.6,L370,NTR,NYLON66	HOSE PUMP	1	PC	SNA
9	6501-000121	CABLE TIE	DA-368,T1.5,W7.6,L370,NTR,NYLON66	HOSE-DRAIN	2	PC	SNA

6. PARTS LIST (SCREW TYPE)

MODEL CODE: WA16J6750LS

Service Bom (SA : SERVICE AVAILABLE, SNA : SERVICE NOT AVAILABLE)

Code No.	Description	Specification	QTY	Un	SA/SNA
6001-002674	SCREW-MACHINE	TH,+,NO,M4,L10,ZPC(WHT),SWRCH18A,Machine,SERATION	4	PC	SNA
6001-002750	SCREW-MACHINE	FH,+,M4,L12,PASS,STS304,KS STANDARD	4	PC	SNA
6002-000213	SCREW-TAPPING	TH,+,1,M4,L12,ZPC(WHT),SWRCH18A	14	PC	SNA
6002-000239	SCREW-TAPPING	TH,+,NO,2S,M4,L8,ZPC(WHT),SWRCH18A	4	PC	SNA
6002-000241	SCREW-TAPPING	TH,+, -,2S,M5,L12,ZPC(WHT),SWRCH18A,-	2	PC	SNA
6002-000444	SCREW-TAPPING	TH,+,2,M4,L14,PASS,STS430	8	PC	SNA
6002-000445	SCREW-TAPPING	TH,+,NO,2S,M4,L18,PASS,STS430	5	PC	SNA
6002-000471	SCREW-TAPPING	TH,+, -,1,M4,L12,PASS,STS304,-	2	PC	SNA
6002-000630	SCREW-TAPPING	PH,+,NO,2S,M3,L8,ZPC(WHT),SWRCH18A	2	PC	SNA
6002-001160	SCREW-TAPPING	TH,+,NO,2,M5,L16,PASS,STS430	4	PC	SNA
6002-001186	SCREW-TAPPING	TH,+, -,2,M5.5,L16,PASS,STS430,-	10	PC	SNA
6002-001306	SCREW-TAPPING	TH,+,1,M4,L14,ZPC(WHT),SWRCH18A	17	PC	SNA
6002-001435	SCREW-TAPPING	TH,+,2,M4,L12,PASS,STS430	8	PC	SNA
6002-001436	SCREW-TAPPING	PH,+,2,M4,L18,ZPC(WHT),SWRCH18A	3	PC	SNA
6006-001170	SCREW-TAPPING	TH,+,WT,2,M4,L10,ZPC(WHT),SWRCH18A	3	PC	SA
DC60-20057A	SCREW-TAPPING	TH,+,NO,1,M5,L16,ZPC(WHT),SWRCH18A	4	PC	SNA
DC91-11258N	ASSY SCREW	F900A,SPIN+FLANGE,M6xL18/STS430	6	PC	SNA
DC97-04458C	ASSY SCREW	SEW-3G100A,-, -,D_TYPE/M8/L20/NO_LOCTIT	4	PC	SA
DC97-04458E	ASSY SCREW	W3050,F700K DDM,-, -,F_TYPE/M8/L20/NO_LOCTIT	4	PC	SNA