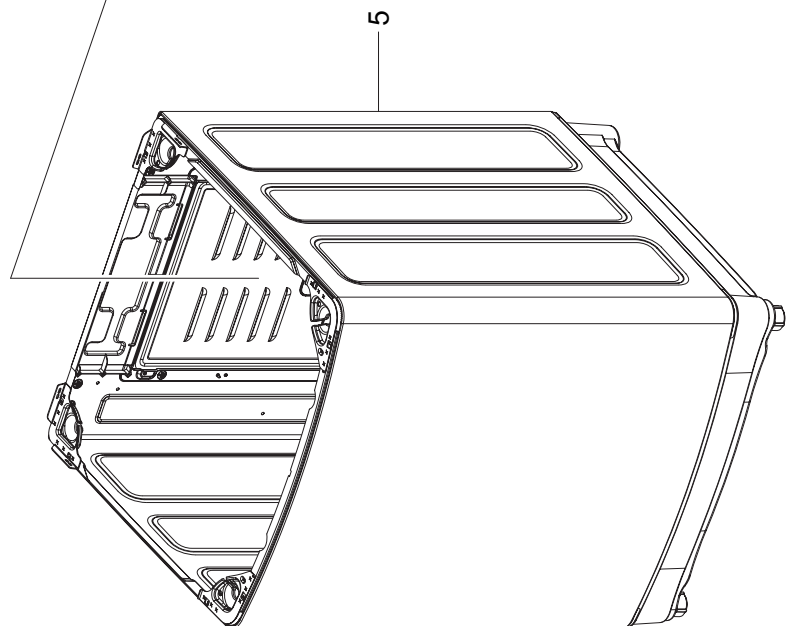
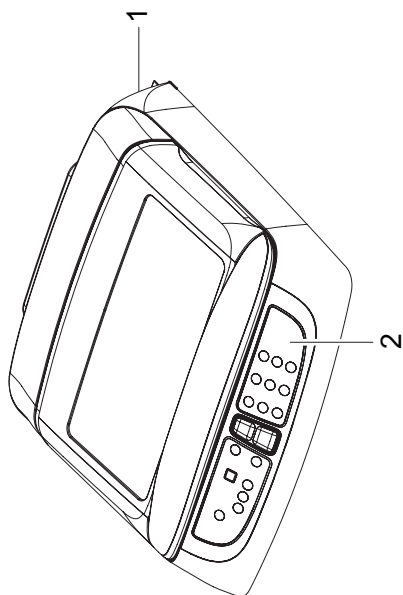
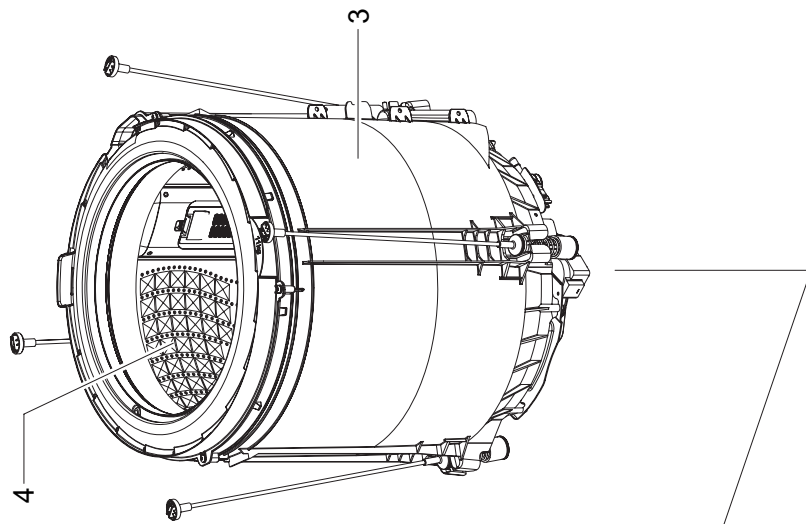
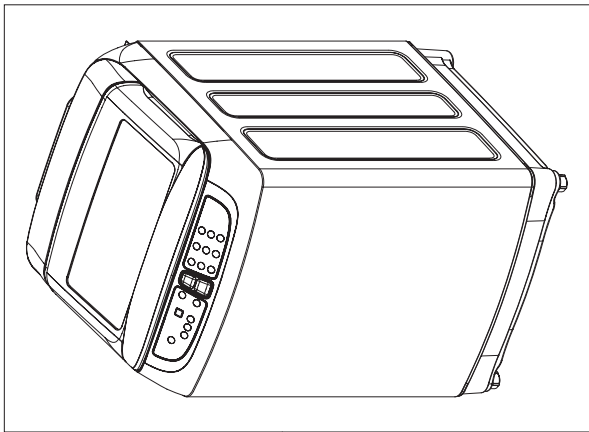


1. MAIN

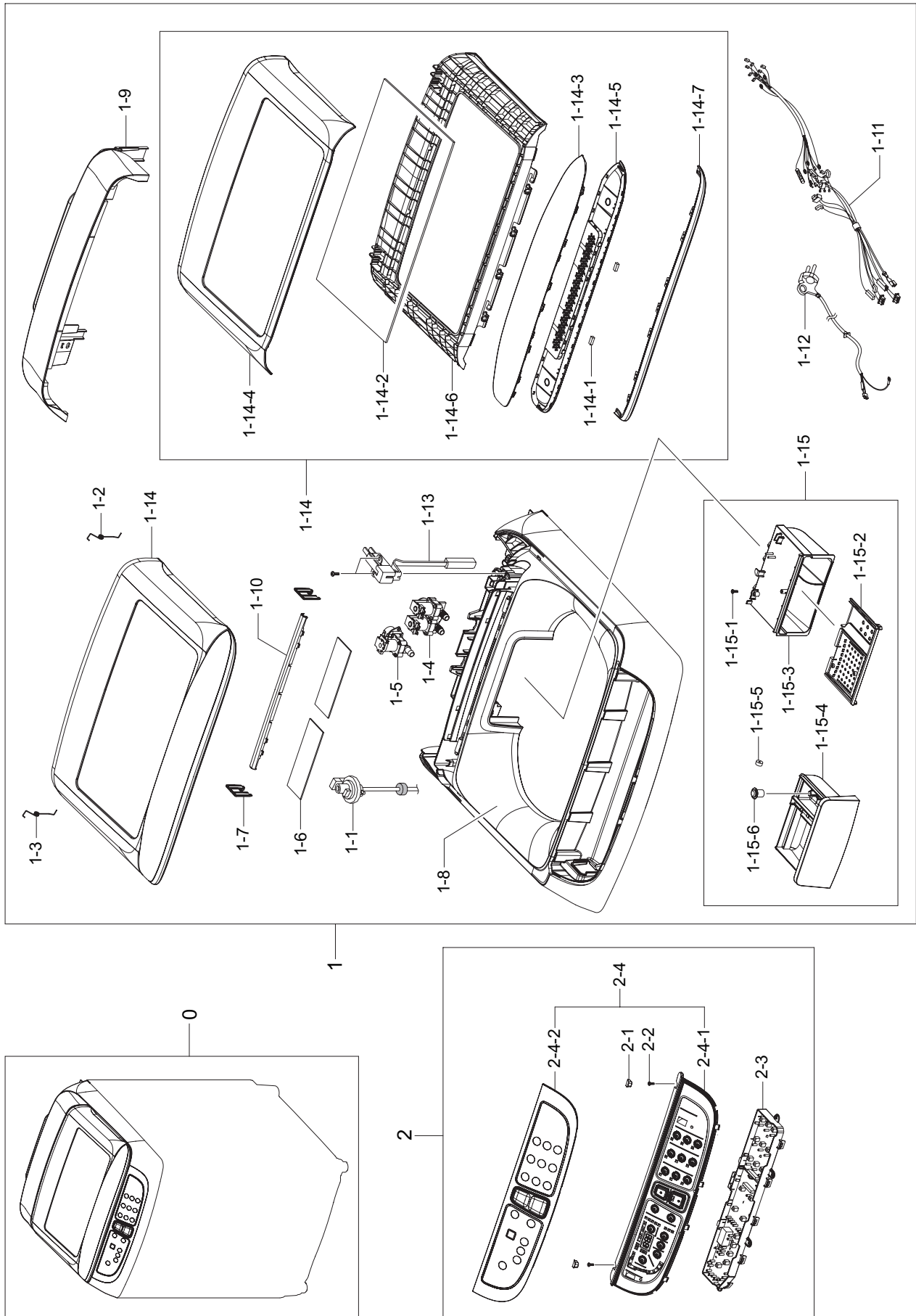


MODEL CODE: WA14F5L4UWW/ZS

Service Bom (SA: SERVICE AVAILABLE, SNA: SERVICE NOT AVAILABLE)

| DRAWING No. | LEVEL | CODE | NAME | DESCRIPTION | QTY | UNIT | SA/SNA |
|-------------|-------|-------------|--------------------|-------------------|-----|------|--------|
| 1 | ..1 | DC90-13911A | ASSY COVER TOP | WA14F5L,WHT | 1 | PC | SNA |
| 2 | ..1 | DC97-17791A | ASSY CONTROL PANEL | WA14F5L | 1 | PC | SA |
| 3 | ..1 | DC90-13089A | ASSY TUB OUTER | WA14F5L,11kg,PUMP | 1 | PC | SNA |
| 4 | ..1 | DC97-17501B | ASSY BASKET SPIN | W3050,WA14F5L | 1 | PC | SA |
| 5 | ..1 | DC90-13063A | ASSY FRAME | WA-F500L, WA14F5L | 1 | PC | SNA |

2. ASSY COVER TOP PARTS

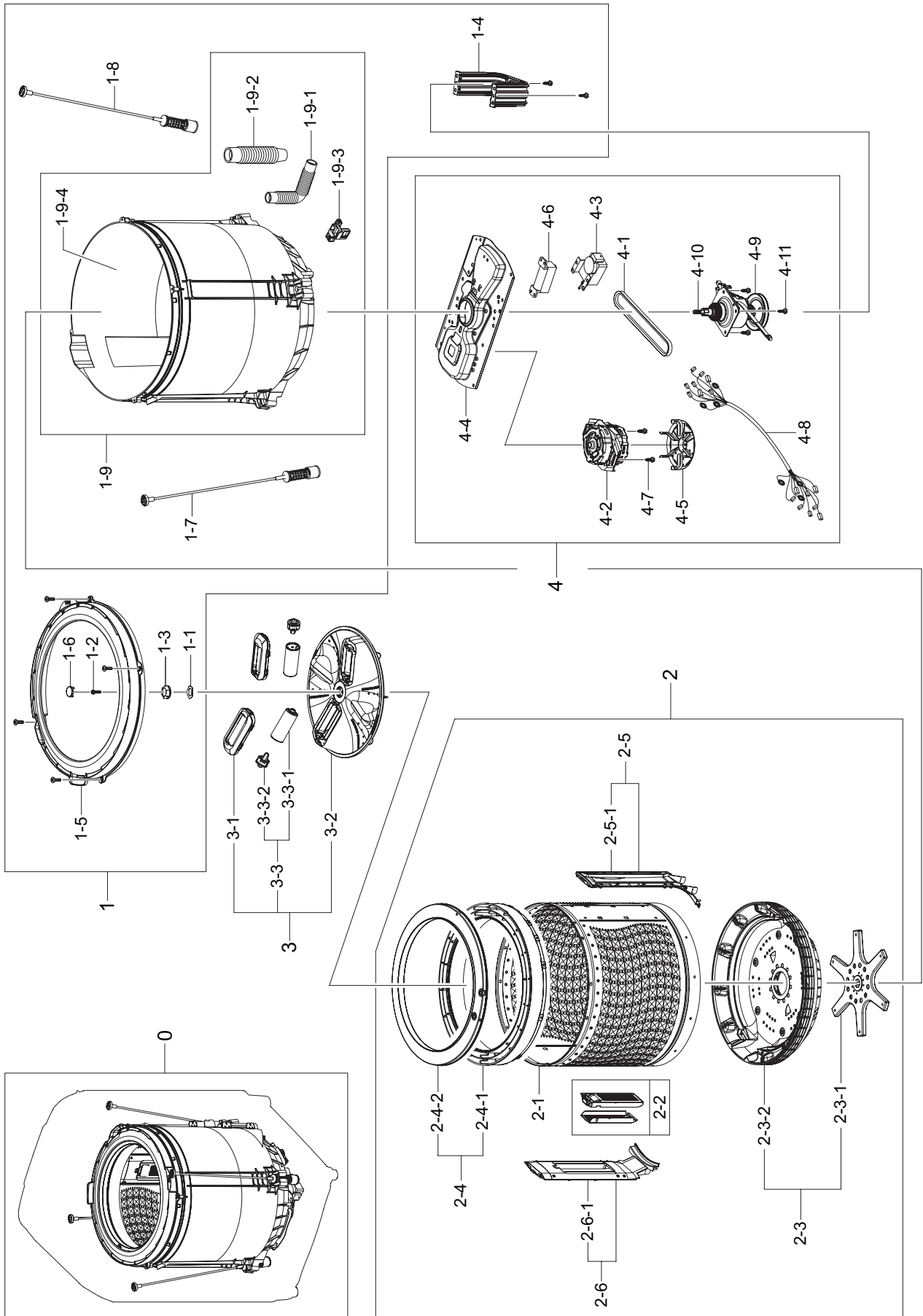


MODEL CODE: WA14F5L4UWW/ZS

Service Bom (SA: SERVICE AVAILABLE, SNA: SERVICE NOT AVAILABLE)

| DRAWING No. | LEVEL | CODE | NAME | DESCRIPTION | QTY | UNIT | SA/SNA |
|-------------|--------|-------------|------------------------|--|-----|------|--------|
| 1 | ..1 | DC90-13911A | ASSY COVER TOP | WA14F5L,WHT | 1 | PC | SNA |
| 1-1 |2 | DC32-30006V | SENSOR PRESSURE | DN-S23,BP8-PJT,8KG,5,5,DC5V | 1 | PC | SA |
| 1-2 |2 | DC61-00146F | SPRING ETC-Q(R) | POSEIDON2-PJT,HSWR-SWRH,CD1.8,OD12,Angle110 | 1 | PC | SNA |
| 1-3 |2 | DC61-00146G | SPRING ETC-Q(L) | POSEIDON2-PJT,HSWR-SWRH,CD1.8,OD12,Angle110 | 1 | PC | SNA |
| 1-4 |2 | DC62-00311C | VALVE-WATER | GAIA PJT,PA66,-,-,220-240V,50/60Hz,2WAY(COLD/RINSE),BLU | 1 | PC | SA |
| 1-5 |2 | DC62-30314N | VALVE-WATER | GAIA PJT,PP,mm,1~8 Kg/cm2,ORG,220-240V,50/60Hz,1WAY(HOT) | 1 | PC | SA |
| 1-7 |2 | DC63-01579A | COVER GUIDE WIRE | W3050,PP,T2.0,-,NATURAL,- | 2 | PC | SNA |
| 1-8 |2 | DC63-01591E | COVER TOP | WA-F500L,ABS,T3.0,-,NEAT WHITE,HG-0760GP | 1 | PC | SNA |
| 1-9 |2 | DC97-17789A | ASSY COVER T.C | WA-F500L,EBONY BLACK | 1 | PC | SA |
| 1-10 |2 | DC63-01593C | COVER HINGE | F500S,ABS,T2.5,-,EBONY BLACK,HG-0760GP | 1 | PC | SNA |
| 1-11 |2 | DC93-00390M | ASSY WIRE HARNESS-MAIN | FULLY AUTO,F500,Hot Valve,PUMP,Cold Valve,BETTER | 1 | PC | SA |
| 1-12 |2 | DC96-00225E | ASSY POWER CORD | ITALY,SP3,250V/10A,VDE H05VV-F 3G 0.75 mm ² ,1500,100/100/150,Screw 1.MG634107R,GRY,GRY | 1 | PC | SA |
| 1-13 |2 | DC96-00156E | ASSY CHECKER S/W | F500L | 1 | PC | SA |
| 1-14 |2 | DC97-17460A | ASSY LID T.C | F500S,BEST&BTT 11KG,BLACK | 1 | PC | SA |
| 1-14-1 |3 | DC61-03184A | MAGNET-R.S | ORCA WASHER,FERRITE,T7.0,W15,L13 | 2 | PC | SNA |
| 1-14-2 |3 | DC64-02541B | DOOR GLASS | F500S,GLASS,T4.0,-,NATURAL,W250,L472 | 1 | PC | SNA |
| 1-14-3 |3 | DC64-02991A | DOOR LID T.C | WA-F500L,ABS+PMMA,T2.5,-,SF-0950,-,PRINTING | 1 | PC | SNA |
| 1-14-4 |3 | DC64-02936A | DOOR LID T.C-UP | F500,ABS+PMMA,T2.5,-,SF-0950K21294,EBONY BLACK,STEAM | 1 | PC | SNA |
| 1-14-5 |3 | DC64-02937A | DOOR LID COVER | F500,ABS,T2.5,-,HG-0760GP,EBONY BLACK | 1 | PC | SNA |
| 1-14-6 |3 | DC64-02938A | DOOR LID COVER-UP | F500,ABS,T3.0,-,HG-0760GP,EBONY BLACK,BEST | 1 | PC | SNA |
| 1-14-7 |3 | DC64-02940A | DECORATION LID | F500,ABS,T2.5,-,NATURAL,CR | 1 | PC | SNA |
| 1-15 |2 | DC97-17518B | ASSY DETERGENT | W3050,WA14F5L4, NEAT WHITE | 1 | PC | SNA |
| 1-15-1 |3 | 6002-000445 | SCREW-TAPPING | TH,+,NO,2,M4,L18,PASS,STS430 | 1 | PC | SNA |
| 1-15-2 |3 | DC61-03584A | GUIDE WATER | W3050PJT,F500S,ABS,T1.5,-,HG-0760GP,PM GRAY | 1 | PC | SNA |
| 1-15-3 |3 | DC61-03590B | BODY DETERGENT | WA-F500,ABS,PM GRAY,HOT+COLD | 1 | PC | SNA |
| 1-15-4 |3 | DC61-03592C | CASE DETERGENT | F500,BEST&BTT 11KG,ABS,T2.0,NEAT WHITE,-,HG-0760GP,SPANISH | 1 | PC | SNA |
| 1-15-5 |3 | DC62-00048A | SEAL-WATER | -,NBR,PINK,-,-,L6,PI4/T1.0 | 1 | PC | SNA |
| 1-15-6 |3 | DC67-00080N | CAP RINSE | W3050-PJT,ABS,T0.2,-,HG-0760GP,ECO BLUE | 1 | PC | SA |
| 2 | ..1 | DC97-17791A | ASSY CONTROL PANEL | WA14F5L | 1 | PC | SA |
| 2-1 |2 | 6002-001306 | SCREW-TAPPING | TH,+,1,M4,L14,ZPC(WHT),SWRCH18A | 2 | PC | SNA |
| 2-2 |2 | DC67-00700A | CAP-SCREW | W3050-F700,SILICON,-,-,DA WHITE | 2 | PC | SNA |
| 2-3 |3 | DC92-01438A | ASSY KIT | W3050,MAIN UNION CODE | 1 | PC | SNA |
| 2-4 |2 | DC97-17517A | ASSY S.PANEL CONTROL | WA14F5,120V-60Hz,SPANISH | 1 | PC | SNA |
| 2-4-1 |3 | DC64-02945E | PANEL CONTROL | WA-F500L,ABS,HB,HG-0760GP,NEAT WHITE | 1 | PC | SA |
| 2-4-2 |3 | DC64-02948B | WINDOW PANEL | W3050-F500,ABS,HB,TX-0510,-,FILM NEAT WHITE,BETTER, SPANISH | 1 | PC | SNA |

3. ASSY TUB PARTS

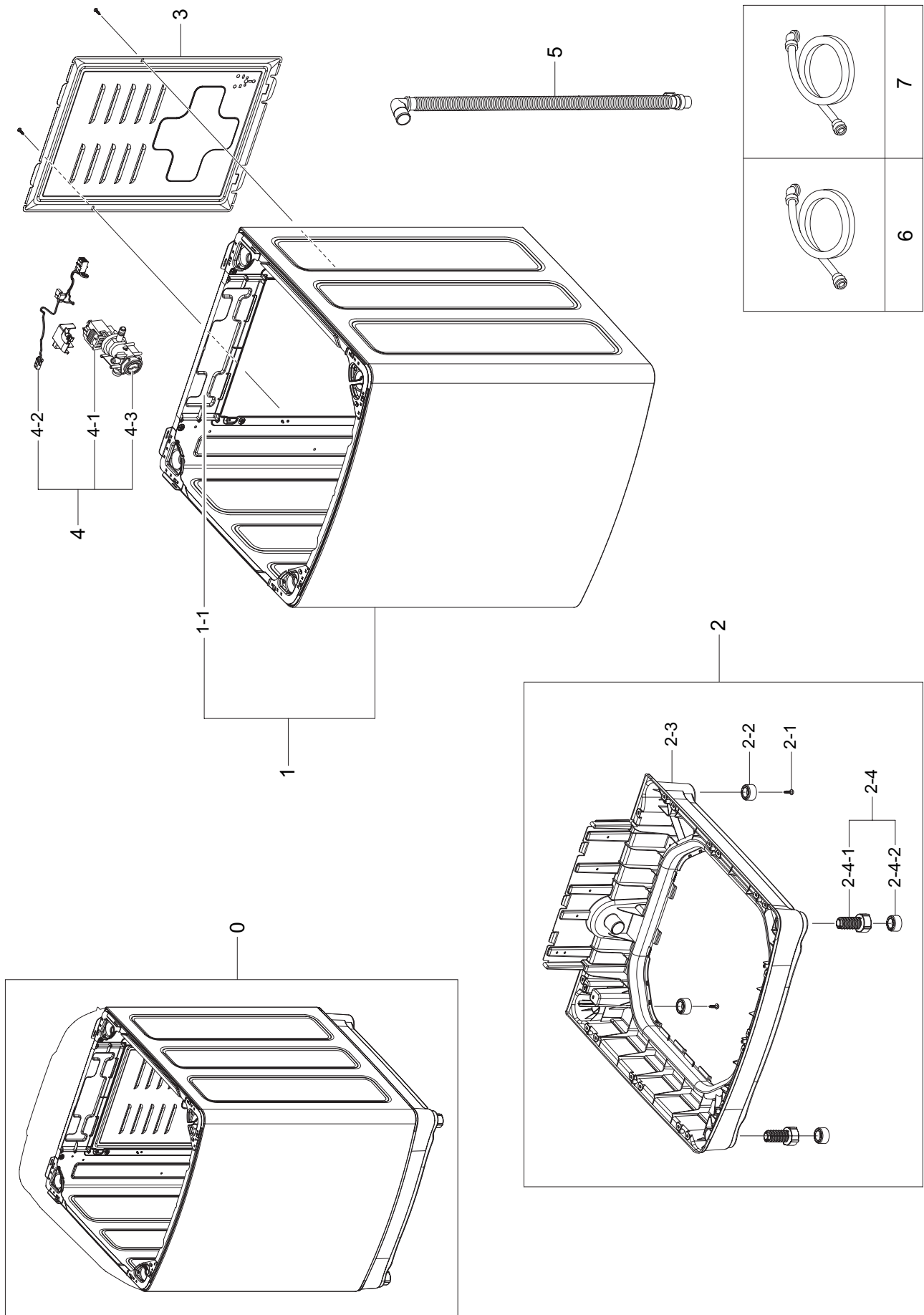


MODEL CODE: WA14F5L4UWW/ZS

Service Bom (SA: SERVICE AVAILABLE, SNA: SERVICE NOT AVAILABLE)

| DRAWING No. | LEVEL | CODE | NAME | DESCRIPTION | QTY | UNIT | SA/SNA |
|-------------|--------|-------------|--|---|-----|------|--------|
| 1 | ..1 | DC90-13089A | ASSY TUB OUTER | WA14F5L,11kg,PUMP | 1 | PC | SNA |
| 1-1 |2 | DC60-00006A | WASHER-WAVE | STAINLESS-ST301,ID24.7,OD40,T0.8,NTR | 1 | PC | SNA |
| 1-2 |2 | DC60-40133A | BOLT-PULSATOR | AUTOMATIC 8-10kg,STAINLESS-ST3430,L25,M8 | 1 | PC | SA |
| 1-3 |2 | DC60-50004A | NUT-SPIN | -.ZNDC,M24,-,-,L14,-,-,CW | 1 | PC | SA |
| 1-4 |2 | DC61-40054C | SUPPORT-SADDLE | GI-SGCC,T1.2,SEM/CKD | 1 | PC | SA |
| 1-5 |2 | DC63-01594A | COVER TUB | F500,PP,T2.0,-,KTL GRAY,11kg | 1 | PC | SA |
| 1-6 |2 | DC66-00032B | PULSATOR-CAP | WA-GA139WG,ABS,LIGHT SAVOY BLUE,PULSATOR-WOBBLE | 1 | PC | SA |
| 1-7 |2 | DC97-05280A | ASSY DAMPER | OWM,DF0.6,K0.322,L615 | 2 | PC | SA |
| 1-8 |2 | DC97-05280T | ASSY DAMPER | OWM,DF0.6,K0.322,L626 | 2 | PC | SA |
| 1-9 |2 | DC97-17490A | ASSY SEMI TUB OUTER | F500L , WA14F5L | 1 | PC | SNA |
| 1-9-1 |3 | DC62-00092A | HOSE-DRAIN | SW85ASP,EPDM,L286,BLACK,HIGH-PUMP | 1 | PC | SA |
| 1-9-2 |3 | DC62-10092C | HOSE-PUMP | WA50Q3WFP/YIA,EPDM,ID30.5(PUMP),ID33.0(TUB),L226,BLK | 1 | PC | SC |
| 1-9-3 |3 | DC66-00692A | LINK-DRAIN | PP,NTR,BJ730 | 1 | PC | SNA |
| 1-9-4 |3 | DC97-17521A | ASSY TUB OUTER | W3050,WA14F5L 11KG | 1 | PC | SNA |
| 2 | ..1 | DC97-17501B | ASSY BASKET SPIN | W3050,WA14F5L | 1 | PC | SA |
| 2-1 |2 | DC61-03607A | BASKET WRAPPER | F500S(11KG),STAINLESS-ST3430,T0.35,-,W3050-F500S,W427.5 | 1 | PC | SNA |
| 2-2 |2 | DC97-12773C | ASSY FILTER | PSD-PJT,KT GRAY,- | 1 | PC | SNA |
| 2-3 |2 | DC97-12774A | ASSY BOWL | POSEIDON-PJT(8/10KG),KTL GRAY | 1 | PC | SNA |
| 2-3-1 |3 | DC60-00045A | FLANGE-SHAFT | POSEIDON-PJT(8kg),ALDC12 | 1 | PC | SNA |
| 2-3-2 |3 | DC61-01719A | BASKET-BOWL | POSEIDON-PJT(8kg),PP,-,-,KTL/GRY,- | 1 | PC | SNA |
| 2-4 |2 | DC97-16563A | ASSY BALANCER | GAIA-PJT,BEST 10KG,PP/KTL-GRAY | 1 | PC | SA |
| 2-4-1 |3 | DC63-01272A | BALANCER-LOWER | GAIA 8~10kg,PP,T4.0,KTL GRAY | 1 | PC | SNA |
| 2-4-2 |3 | DC63-01273A | BALANCER-UPPER | GAIA 8~10kg,PP,T 4.0,KTL GRAY | 1 | PC | SNA |
| 2-5 |2 | DC97-17477A | ASSY GUIDE W.F | F500S,BEST&BTT 11 KG./FALL,KTL GRAY,PP 441J | 1 | PC | SNA |
| 2-5-1 |3 | DC61-03608A | GUIDE W.F | F500S(11KG),PP,T2.0,V2,BJ750,KTL GRAY,FALL | 1 | PC | SNA |
| 2-6 |2 | DC97-17478A | ASSY GUIDE W.F | F500S,BEST&BTT 11 KG./FILTER,KTL GRAY,PP 441J | 1 | PC | SNA |
| 2-6-1 |3 | DC61-03609A | GUIDE W.F | F500S(11KG),PP,T2.0,V2,KTL GRAY,BJ750 | 1 | PC | SNA |
| 3 | ..1 | DC97-17461A | ASSY PULSATOR | F500S,PP,2ND WOBBLE,LIGHT SAVOY BLUE | 1 | PC | SA |
| 3-1 |2 | DC61-03603A | FIXER ROLLER | W3050-F500,PP,NATURAL,2nd Wobble Pulsator | 2 | PC | SA |
| 3-2 |2 | DC66-00791A | PULSATOR | W3050-F500,PP,LIGHT SAVOY BLUE,2nd Wobble Pulsator | 1 | PC | SNA |
| 3-3 |2 | DC97-17462A | ASSY ROLLER | W3050,F500S,POM,WOBBLE,KTL GRY | 2 | PC | SNA |
| 3-3-1 |3 | DC61-03602A | BODY ROLLER | W3050-F500,POM,KTL GRAY,2nd Wobble Pulsator | 1 | PC | SNA |
| 3-3-2 |3 | DC67-00707A | CAP ROLLER | W3050-F500,POM,T2.5,-,KTL GRAY,2nd Wobble Pulsator | 1 | PC | SNA |
| 4 | ..1 | DC90-13885A | ASSY DRIVING MODULE | F500L, AC, 220V~50Hz | 1 | PC | SNA |
| 4-1 |2 | DC66-10142A | BELT-V | STATIC,M22,-,SEW-60FX,- | 1 | PC | SA |
| 4-2 |2 | DC31-00132B | MOTOR INDUCTION-WASHING | POSEIDON 10,WAS255ATVA(SAD),4,220V-240V,50Hz,2.0A,B,450VAC 13/11MFD | 1 | PC | SA |
| 4-3 |2 | DC31-20014L | MOTOR DRAIN | SWD-218,220~240V,50Hz~60Hz,BKT 18.1mm,Poseidon,5~6 RPM | 1 | PC | SA |
| 4-4 |2 | DC61-01703E | DIE-MOTOR | W3050-PJT 500L,HGI-SGHC,T1.8,NATURAL | 1 | PC | SA |
| 4-5 |2 | DC66-00480A | PULLEY-MOTOR | POSEIDON-PJT,ALDC,50Hz | 1 | PC | SA |
| 4-6 |2 | DC75-00010B | CONDENSER-M.F | 13uF,-25 to 85,BK,450V,5%,128x35x70,TAB 250,PP,PBT,P2 | 1 | PC | SA |
| 4-7 |2 | DC91-11258U | ASSY SCREW | -,-,MOTOR(COAT,-,M8*30FE/FZY(FLANGE),- | 2 | PC | SA |
| 4-8 |2 | DC93-00389B | ASSY WIRE HARNESS-SUB PUMP PBA (3TYPE) | FULLY AUTO,F500,PUMP,AC,UL1617/UL1015 | 1 | PC | SA |
| 4-9 |2 | DC97-00623A | ASSY WASHER PLAIN | SEW-524,SEM-NEW,-,-,-,- | 1 | PC | SA |
| 4-10 |2 | DC97-00663F | ASSY SHAFT | 10kg / 12kg pjT,WA17X | 1 | PC | SC |
| 4-11 |2 | DC97-04458C | ASSY SCREW | SEW-3G100A,-,-,D_TYPE/M8/L20/NO_LOCTIT | 4 | PC | SA |

4. ASSY FRAME & CASE

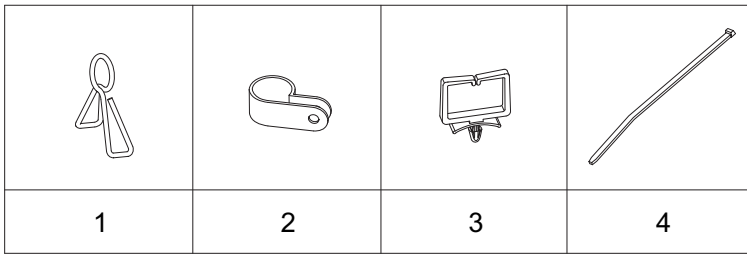


MODEL CODE: WA14F5L4UWW/ZS

Service Bom (SA: SERVICE AVAILABLE, SNA: SERVICE NOT AVAILABLE)

| DRAWING No. | LEVEL | CODE | NAME | DESCRIPTION | QTY | UNIT | SA/SNA |
|-------------|--------|-------------|--------------------|---|-----|------|--------|
| 1 | ..1 | DC90-13063A | ASSY FRAME | WA-F500L, WA14F5L | 1 | PC | SNA |
| 1-1 |2 | DC61-03619A | FRAME PLATE-UP | W3050-PJT 500L,GI-SGCC,-,NATURAL,T0.6 | 1 | PC | SNA |
| 2 |2 | DC90-13062A | ASSY BASE | WA-F500L, WA14F5L | 1 | PC | SA |
| 2-1 |3 | 6002-000445 | SCREW-TAPPING | TH,+,NO,2,M4,L18,PASS,STS430 | 2 | PC | SNA |
| 2-2 |3 | DC61-03208A | LEG-RUBBER | PO-MAX,BUTYL,BLACK,L18,D31.9 | 2 | PC | SA |
| 2-3 |3 | DC61-03597A | BASE | F500L,PP,BLACK,-,RM60,HIGH BASE | 1 | PC | SA |
| 2-4 |3 | DC97-16800A | ASSY LEG | WM PW70 OWM MODEL,WA17X7, WA15X7,H82,D10,7.0,SBR | 2 | PC | SA |
| 2-4-1 |4 | DC61-03206A | LEG-ADJUST | PO-MAX,FRPP,BLACK,L79,D36.9,GP-2200 | 1 | PC | SNA |
| 2-4-2 |4 | DC61-03207A | LEG-RUBBER | PO-MAX,BUTYL,BLACK,L15,D32 | 1 | PC | SNA |
| 3 |2 | DC61-10571B | COVER-BACK | GI-SGCC,T0.35,EDGE-BENDING | 1 | PC | SA |
| 4 |2 | DC96-01113F | ASSY PUMP DRAIN | WA13R3Q3EW/XBG,-,-,220-240V/50HZ,HANYU | 1 | PC | SA |
| 4-1 |3 | DC31-00030A | PUMP-DRAIN | B20-6 / S3001,220V-240V,50Hz,85*77*96.7,30W | 1 | PC | SA |
| 4-2 |3 | DC96-00605A | ASSY WIRE PUMP | W3050 | 1 | PC | SA |
| 4-3 |4 | DC63-00670A | FILTER-PUMP | 2 LEG,POM,-,-,WHT,- | 1 | PC | SNA |
| 5 |2 | DC97-00139C | ASSY HOSE DRAIN(O) | SW65ASP2/SW55APP2,PUMP-TYPE,-,-,- | 1 | PC | SA |
| 6 |2 | DC97-16921A | ASSY HOSE WATER | HEBA,WF8804,REFLEX,BLUE/COLD | 1 | PC | SA |
| 7 |2 | DC97-16921B | ASSY HOSE WATER | HEBA,WF8804,REFLEX | 1 | PC | SA |

5-6. SMALL PARTS



MODEL CODE: WA14F5L4UWW/ZS

Service Bom (SA: SERVICE AVAILABLE, SNA: SERVICE NOT AVAILABLE)

| DRAWING No. | LEVEL | CODE | NAME | DESCRIPTION | INST POINT | QTY | UNIT | SA/SNA |
|-------------|--------|-------------|-------------|--|------------------------|-----|------|--------|
| 1 |2 | DC61-70029A | SPRING-CLIP | H5WR-SWRH,ID7.5,D1.2,ZPC3 / H5WR67 GRADE | TUB-OUTER + HOSE DRAIN | 1 | PC | SA |
| 2 |3 | DC65-20008C | CABLE CLAMP | DA-8N,ID13.2/T1.0,NYLON#66,NTR | DIE-MOTOR | 1 | PC | SNA |
| 3 |2 | DC61-40081A | HOLDER-WIRE | DAWH-2NC,PA,-,NATURAL- | FRAME REAR | 1 | PC | SA |
| 4 |3 | 6501-000121 | CABLE TIE | DA-368,T1.9,W7.5,L368,NTR,NYLON6/6 | HOSE PUMP | 1 | PC | SNA |
| 4 |3 | 6501-000121 | CABLE TIE | DA-368,T1.9,W7.5,L368,NTR,NYLON6/6 | HOSE DRAIN | 1 | PC | SNA |

5-5. PARTS LIST (SA/SC OTHERS)

MODEL CODE: WA14F5L4UWW/ZS

Service Bom (SA: SERVICE AVAILABLE, SNA: SERVICE NOT AVAILABLE)

| CODE | NAME | DESCRIPTION | INST POINT | QTY | UNIT | SA/SNA |
|-------------|-----------------|--|-----------------|-----|------|--------|
| 6002-000213 | SCREW-TAPPING | TH,+,1,M4,L12,ZPC(WHT),SWRCH18A | COVER PUMP | 1 | PC | SA |
| 6002-000239 | SCREW-TAPPING | TH,+,NO,2S,M4,L8,ZPC(WHT),SWRCH18A | COVER-BACK | 4 | PC | SA |
| 6002-001306 | SCREW-TAPPING | TH,+,1,M4,L14,ZPC(WHT),SWRCH18A | ASSY-PUMP | 4 | PC | SA |
| 6002-001306 | SCREW-TAPPING | TH,+,1,M4,L14,ZPC(WHT),SWRCH18A | BASE | 11 | PC | SA |
| 6002-001306 | SCREW-TAPPING | TH,+,1,M4,L14,ZPC(WHT),SWRCH18A | BODY-D.+C/TOP | 3 | PC | SA |
| 6002-001306 | SCREW-TAPPING | TH,+,1,M4,L14,ZPC(WHT),SWRCH18A | CHECKER S/W | 2 | PC | SA |
| 6002-001306 | SCREW-TAPPING | TH,+,1,M4,L14,ZPC(WHT),SWRCH18A | CABLE CLAMP | 1 | PC | SA |
| 6002-001306 | SCREW-TAPPING | TH,+,1,M4,L14,ZPC(WHT),SWRCH18A | ASSY PCB | 4 | PC | SA |
| DC60-50153A | NUT-HEX | EGI-SECC,M8,FZY | MOTOR INDUCTION | 1 | PC | SA |
| DC72-00013U | ABSORBER SPONGE | GAIA-PJT/8-10KG,PU-FOAM,T20,W60,L120,BLK | FRAME RIGHT | 1 | PC | SNA |

9. PARTS LIST (SCREW TYPE)

MODEL CODE: WA14F5L4UWW/ZS

Service Bom (SA: SERVICE AVAILABLE, SNA: SERVICE NOT AVAILABLE)

| CODE | NAME | DESCRIPTION | QTY | UNIT | SA/SNA |
|-------------|---------------|---|-----|------|--------|
| 6002-000213 | SCREW-TAPPING | TH,+,1,M4,L12,ZPC(WHT),SWRCH18A | 1 | PC | SA |
| 6002-000239 | SCREW-TAPPING | TH,+,NO,2S,M4,L8,ZPC(WHT),SWRCH18A | 4 | PC | SA |
| 6002-000241 | SCREW-TAPPING | TH,+,-,2S,M5,L12,ZPC(WHT),SWRCH18A,- | 2 | PC | SNA |
| 6002-000445 | SCREW-TAPPING | TH,+,NO,2,M4,L18,PASS,STS430 | 1 | PC | SNA |
| 6002-001006 | SCREW-TAPPING | TH,+,-,2S,M4,L12,PASS,STS430,- | 22 | PC | SNA |
| 6002-001160 | SCREW-TAPPING | TH,+,NO,2,M5,L16,PASS,STS430 | 4 | PC | SNA |
| 6002-001186 | SCREW-TAPPING | TH,+,-,2,M5.5,L16,PASS,STS430,- | 10 | PC | SNA |
| 6002-001306 | SCREW-TAPPING | TH,+,1,M4,L14,ZPC(WHT),SWRCH18A | 29 | PC | SA |
| 6002-001308 | SCREW-TAPPING | TH,+,-,1,M5,L20,ZPC(WHT),SWRCH18A,- | 4 | PC | SNA |
| 6002-001313 | SCREW-HEX | HWH,+,- .M6.5,L25,ZPC(WHT),SWRCH18A,2_SERATION | 13 | PC | SNA |
| 6002-001436 | SCREW-TAPPING | PH,+,2,M4,L18,ZPC(WHT),SWRCH18A | 3 | PC | SNA |
| 6003-001768 | SCREW-TAPTYPE | TH,+,WT,S,M4,L10,ZPC(WHT),SWRCH18A | 3 | PC | SNA |
| 6003-001768 | SCREW-TAPTYPE | TH,+,WT,S,M4,L10,ZPC(WHT),SWRCH18A | 1 | PC | SNA |
| DC60-20057A | SCREW-TAPPING | TH,+,NO,1,M5,L16,ZPC(WHT),SWRCH18A | 1 | PC | SNA |
| DC91-11258U | ASSY SCREW | -,-,MOTOR(COAT,-,M8*30FE/FZY(FLANGE),- | 2 | PC | SA |
| DC97-04458C | ASSY SCREW | SEW-3G100A,-,-,D_TYPE/M8/L20/NO_LOCTIT | 4 | PC | SA |