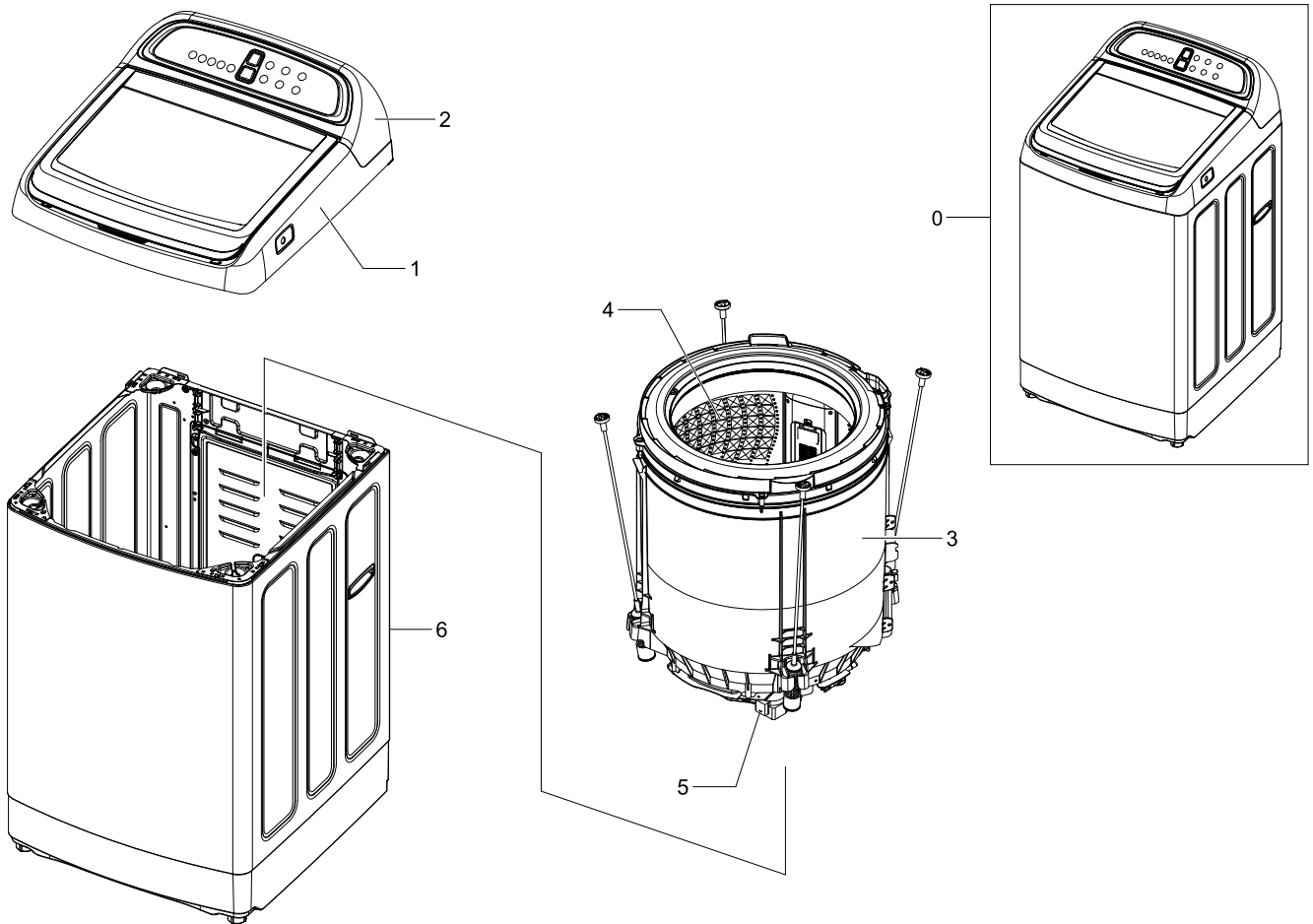


# 1. Main

## Exploded View

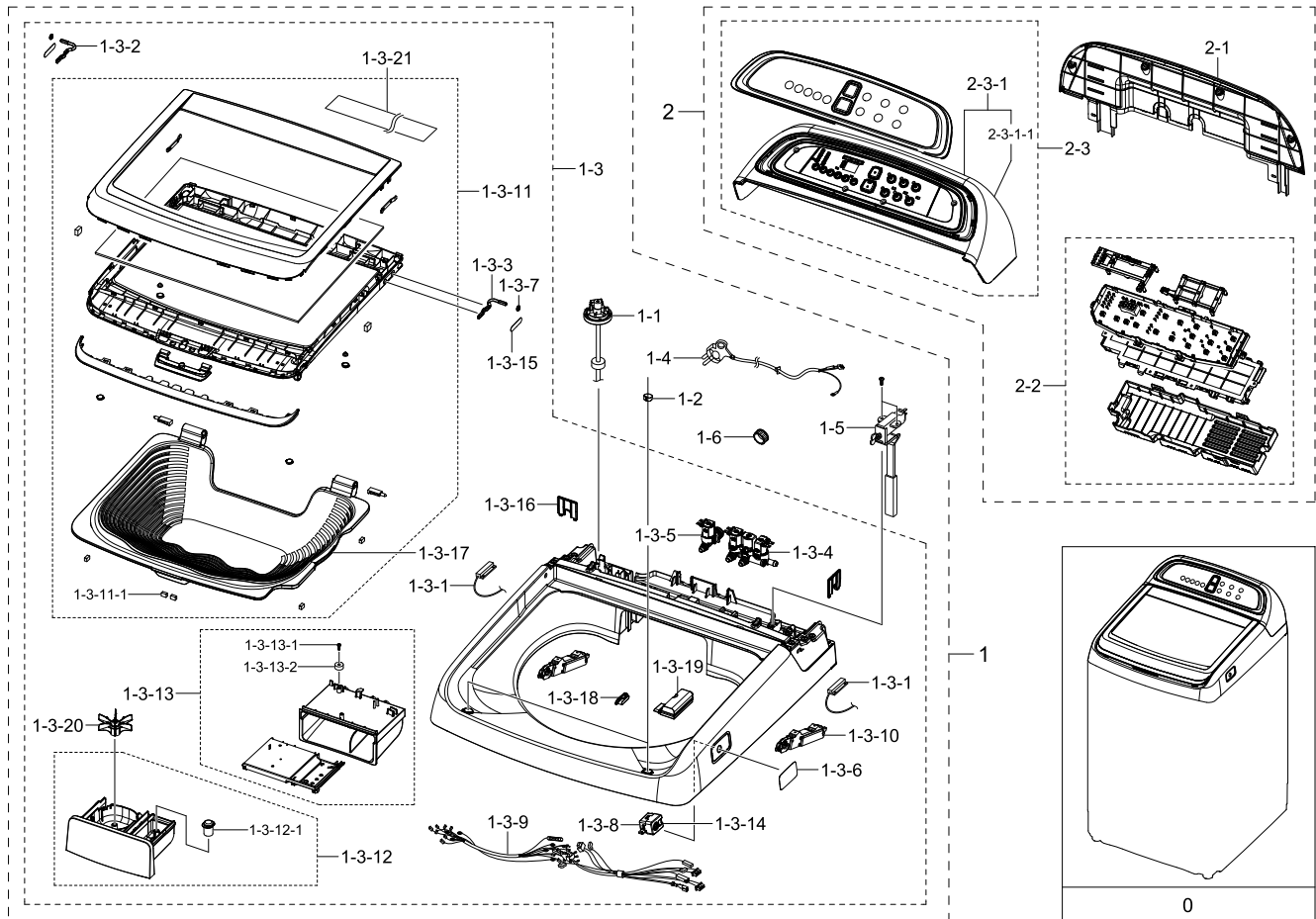


## Parts List

No.	Lvl.	Loc.	Material Code	Description & Specification	SNA	Qty.
1	1	W0183	DC90-19808A	ASSY COVER TOP; WA10J5710SW/GG,GOOD 10KG	SNA	1
2	1	W0509	DC90-19809A	ASSY CONTROL; WA10J5710SW/GG,GOOD 10KG	SNA	1
3	1	W0500	DC90-18180A	ASSY TUB; WA5700J,GOOD 10KG,AC,PUMP	SNA	1
4	1	W0100	DC97-17502A	ASSY BASKET SPIN; F500S,GOOD & BTT 10 KG	SA	1
5	1		DC90-16963A	ASSY DRIVING MODULE; F500S,AC,220/50,STEE	SNA	1
6	1	W0506	DC90-14777A	ASSY FRAME; F500S,H-B,P,DA WHT	SA	1

## 2. Assy Cover Top Parts

### Exploded View



### Parts List

No.	Lvl.	Loc.	Material Code	Description & Specification	SNA	Qty.
1	1	W0183	DC90-19808A	ASSY COVER TOP; WA10J5710SW/GG,GOOD 10KG	SNA	1
1-1	2	H2050	DC32-30006V	SENSOR PRESSURE; Air,5,690mm,600mmH2O	SA	1
1-2	2	W0468	DC67-00453A	CAP SCREW; POSEION-REAR,SI,WHITE,WT0001	SA	2
1-3	2	W0176	DC97-18799P	ASSY SEMI COVER TOP; WA5700J,GOOD10,0KG,2	SA	1
1-3-1	3	M0002	DC34-00001G	SWITCH REED; 14-30,370mm,25.4 0.5mm,14mm	SA	2
1-3-2	3		DC61-03553B	GUIDE PIN; F550,LEFT,GI-SGCC,-,-,-	SA	1
1-3-3	3		DC61-03554B	GUIDE PIN; F550,RIGHT,GI-SGCC,-,-,-	SA	1
1-3-4	3	W0078	DC62-00266E	VALVE WATER; AC220-240V,Rubber Sealing, M	SA	1

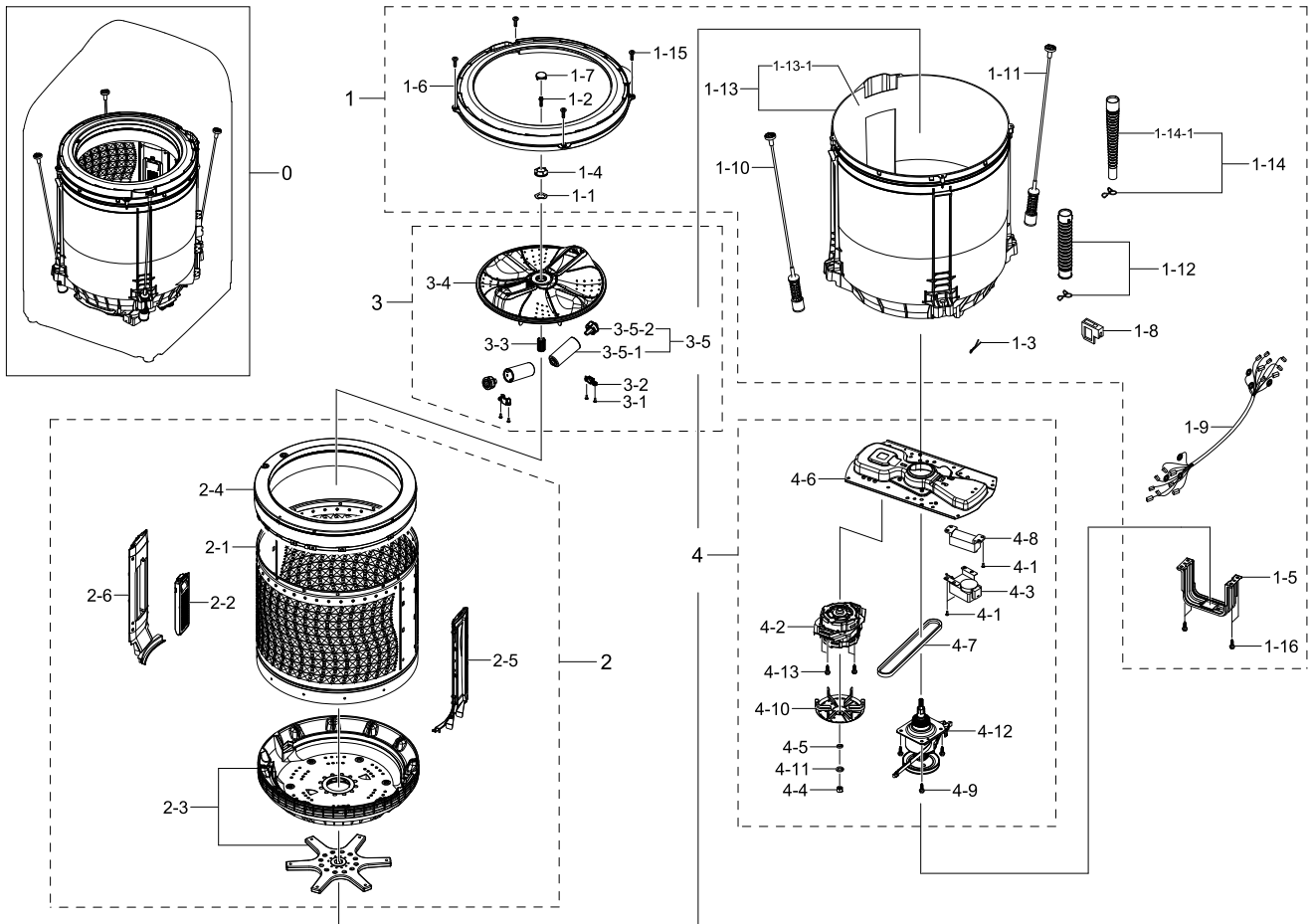
No.	Lvl.	Loc.	Material Code	Description & Specification	SNA	Qty.
1-3-5	3	W0078	DC62-30314N	VALVE WATER; AC220-240V,Rubber Sealing, 2	SA	1
1-3-6	3		DC64-03246E	INLAY; WA6(5)700J,PET,DA WHITE,WATER JET	SA	1
1-3-7	3		DC67-00637A	CAP HINGE; WA456DRHDWD,POM,T3.1,W11.0,BS0	SA	2
1-3-8	3	W0469	DC92-01734A	ASSY PCB SUB; OWM_AC,WA6700/5700,20*30,AC	SA	1
1-3-9	3		DC93-00569B	ASSY WIRE HARNESS-MAIN; AUTO,Y,Y,C,R,J,AC	SA	1
1-3-10	3		DC97-16923H	ASSY HINGE; WA6700J,WA16J6730KS	SA	2
1-3-11	3	W0175	DC97-18947C	ASSY LID T.C; WA5700J,10,0KG,AC,ADW,DA WH	SA	1
1-3-11-1	4	M0009	DC61-03184A	MAGNET R.S; ORCA WASHER,FERRITE,T7.0,W15,	SA	3
1-3-12	3	W0166	DC97-18686F	ASSY CASE DETERGENT; WA5700JS,SPANISH,DA	SA	1
1-3-12-1	4		DC67-00080N	CAP RINSE; W3050-PJT,ABS,T0.2,-,SR-0300,H	SA	1
1-3-13	3	W0179	DC97-18687B	ASSY BODY DETERGENT; WA5(6)700J,ABS,PM GR	SA	1
1-3-13-1	4	W0105	6002-000445	SCREW-TAPPING; TH,+,NO,2,M4,L18,PASS,STS4	SA	1
1-3-13-2	4	W0655	DC62-00048A	SEAL WATER; NBR,PINK,L6	SA	1
1-3-14	3		DC63-01791A	COVER PCB; WA5600JC,ABS,T2.0,HB,NATURAL,H	SA	1
1-3-15	3		DC64-02822G	INLAY; WA80F5G,PET,-,DA WHITE,T0.188,Door	SA	2
1-3-16	3		DC63-01579B	COVER GUIDE WIRE; W3050,COPO,PP,T2.0,-,BL	SA	2
1-3-17	3		DC97-18574A	ASSY LID WASHING; WA6700J,WA15J6740KS	SA	1
1-3-18	3		DC63-01844B	COVER NOZZLE; WA16J6750J,ABS,T1.5,-,Hones	SA	1
1-3-19	3		DC97-18663A	ASSY NOZZLE; WA5700J & WA6700J	SA	1
1-3-20	3		DC61-03987A	CASE DETERGENT-WING; WA5(6)700J,POM,Hones	SA	1
1-3-21	3		DC63-01657A	SHEET PARTICLE; WA16F7,PE,JJ4324,0.05T,W3	SNA	0
1-4	2	W0081	DC90-10065J	ASSY POWER CORD; VDE/KC,EU3F,E.U/KOREA,25	SA	1
1-5	2	W0178	DC96-00156E	ASSY CHECKER S/W; DC15V,198-18-110,#187	SA	1
1-6	2		DC67-00328A	CAP V.W; AUTOMATIC,PP,T2.0,-,-,WHT,-	SNA	1
2	1	W0509	DC90-19809A	ASSY CONTROL; WA10J5710SW/GG,GOOD 10KG	SNA	1

Exploded Views and Parts List

No.	Lvl.	Loc.	Material Code	Description & Specification	SNA	Qty.
2-1	2		DC63-01851G	COVER PANEL; WA5700J,H+C,ABS,T3.0,HB,DA W	SA	1
2-2	2	W0470	DC92-01764F	ASSY PCB MAIN; OWM_AC,WA5700J,330 * 75,22	SA	1
2-3	2	M0043	DC97-18628N	ASSY S.PANEL CONTROL; WA5700J(GG),GOOD,AB	SNA	1
2-3-1	3	W0478	DC97-18951B	ASSY PANEL CONTROL; WA5700J,GOOD,ABS,DA W	SA	1
2-3-1-1	4	W0180	DC64-03218B	PANEL CONTROL; WA5700J,GOOD,ABS,GP-35,DA	SA	1

### 3. Assy Tub Parts

#### Exploded View



#### Parts List

No.	Lvl.	Loc.	Material Code	Description & Specification	SNA	Qty.
1	1	W0500	DC90-18180A	ASSY TUB; WA5700J,GOOD 10KG,AC,PUMP	SNA	1
1-1	2	W0138	DC60-00006A	WASHER WAVE; STS301,ID24.7,OD40,T0.8,NTR	SA	1
1-2	2	W0636	DC60-40133A	BOLT PULSATOR; AUTOMATIC 8-10kg,STS430,L2	SA	1
1-3	2		DC60-80017B	PIN LINK; MSWR-SWRH	SA	1
1-4	2	G0013	DC60-50004A	NUT SPIN; ZNDC,M24,L14,CW	SA	1
1-5	2		DC61-40054E	SUPPORT SADDLE; GAIA-BIG,GI-SGCC,T1.0,-,-	SA	1
1-6	2	U2011	DC63-00763A	COVER TUB; POSEIDON-PJT(10kg),PP,KTL-GRY,	SA	1
1-7	2	M0013	DC66-00032B	PULSATOR CAP; WA-GA139WG,ABS,LIGHT SAVOY	SNA	1
1-8	2	M0015	DC66-30024A	LINK DRAIN; PP,L69.5,SEW-PB10	SA	1

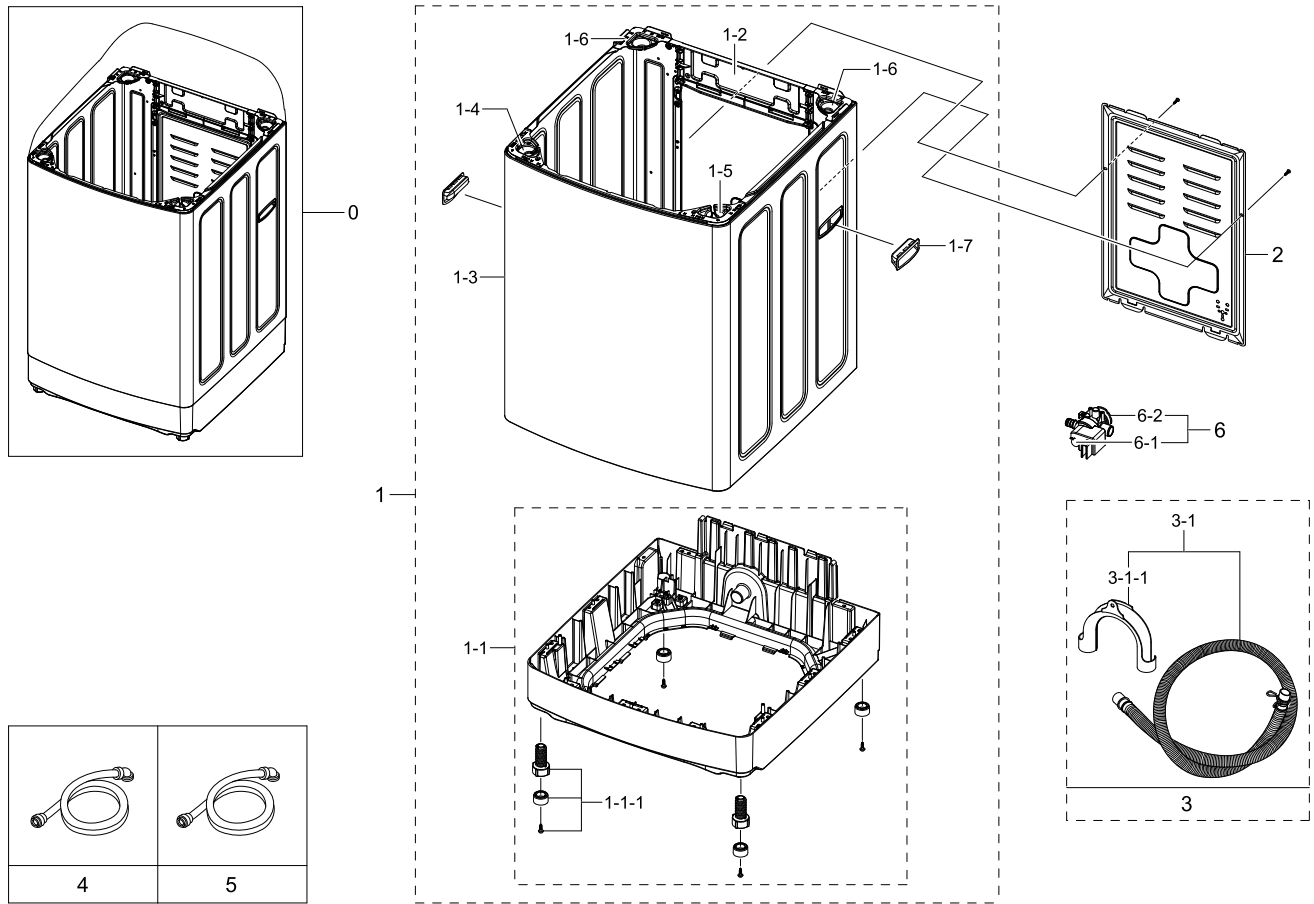
Exploded Views and Parts List

No.	Lvl.	Loc.	Material Code	Description & Specification	SNA	Qty.
1-9	2		DC93-00570A	ASSY WIRE HARNESS-SUB; AUTO,REAR,N,N,AC,G	SA	1
1-10	2	W0733	DC97-05280R	ASSY DAMPER; OWM,DF0.6,K0.322,L592.5	SA	2
1-11	2	W0733	DC97-05280U	ASSY DAMPER; OWM,DF0.6,K0.322,L603.0	SA	2
1-12	2	W0724	DC97-06149A	ASSY HOSE PUMP; BP5/KS6,PUMP-MODEL,-,-,-,	SA	1
1-13	2	W0452	DC97-14259C	ASSY SEMI TUB OUTER; POSEIDON-PJT 8-10 KG	SA	1
1-13-1	3	U2025	DC61-01690B	TUB OUTER; AUTO 8-11KG,PP,T2.0,NATURAL,OD	SA	1
1-14	2	M0041	DC97-17251A	ASSY HOSE DRAIN; PSD BIG 12 KG.,EPDM,L287	SNA	1
1-14-1	3	U2015	DC62-00092A	HOSE DRAIN; SW85ASP,EPDM,L286,BLACK,HIGH-	SA	1
1-15	2	W0105	6002-001160	SCREW-TAPPING; TH,+,NO,2,M5,L16,PASS,STS4	SA	4
1-16	2	G0049	6002-001311	BOLT-HEX; M6.5,L20,ZPC(WHT),SWRCH18A,FLAN	SA	4
2	1	W0100	DC97-17502A	ASSY BASKET SPIN; F500S,GOOD & BTT 10 KG	SA	1
2-1	2		DC61-03667A	BASKET WRAPPER; F500S,10 KG,STAINLESS-STS	SNA	1
2-2	2	G0050	DC97-12773C	ASSY FILTER; PSD-PJT,KT GRAY, GY0263,-	SC	1
2-3	2		DC97-12774A	ASSY BOWL; POSEIDON-PJT(8/10KG),KTL GRAY	SNA	1
2-4	2	W0492	DC97-16563A	ASSY BALANCER; GAIA-PJT,BEST 10KG,PP/KTL-	SA	1
2-5	2	M0018	DC97-17507A	ASSY GUIDE W.F; F500S,GOOD 10 KG.,FALL,KT	SNA	1
2-6	2	M0018	DC97-17509A	ASSY GUIDE W.F; F500S,GOOD 10 KG.,FILTER,	SNA	1
3	1	U2005	DC97-17461A	ASSY PULSATOR; F500S,PP,2ND WOBBLE,LIGHT	SA	1
3-1	2	W0105	6002-001006	SCREW-TAPPING; TH,+,-,2S,M4,L12,PASS,STS4	SA	18
3-2	2		DC61-03603A	FIXER ROLLER; W3050-F500,PP,NATURAL,2nd W	SA	2
3-3	2	W0481	DC66-00024A	BUSH PULSATOR; STS304,SERRATION12X11X1,OD	SNA	1
3-4	2	W0087	DC66-00791A	PULSATOR; W3050-F500,PP,LIGHT SAVOY BLUE,	SNA	1
3-5	2	M0087	DC97-17462A	ASSY ROLLER; W3050,F500S,POM,WOBBLE,KTL G	SNA	2
3-5-1	3		DC61-03602A	BODY ROLLER; W3050-F500,POM,KTL GRAY,2nd	SA	2

No.	Lvl.	Loc.	Material Code	Description & Specification	SNA	Qty.
3-5-2	3		DC67-00707A	CAP ROLLER; W3050-F500,POM,T2.5,HB,KTL GR	SA	2
4	1		DC90-16963A	ASSY DRIVING MODULE; F500S,AC,220/50,STEE	SNA	1
4-1	2	W0105	6002-001308	SCREW-TAPPING; TH,+,-,1,M5,L20,ZPC(WHT),S	SA	4
4-2	2		DC31-00132K	MOTOR AC DRIVE; WAS255ATVA(SAP),4Pole,220	SA	1
4-3	2	U2020	DC31-20014L	MOTOR DRAIN; SWD-218,220~240V,50Hz~60Hz,B	SA	1
4-4	2	W0107	DC60-50153A	NUT HEX; SM10C,M8,FZY	SA	1
4-5	2		6031-001807	WASHER-SPRING; MEZnII-C(ZMC2-2),ID8.5,OD1	SA	1
4-6	2	W0453	DC61-01703C	DIE-MOTOR; POSEIDON-PJT,GI-SGCC,T1.6	SA	1
4-7	2	U2007	DC66-10142A	BELT V; STATIC,M22,-,SEW-60FX,-	SA	1
4-8	2	U2010	DC75-00010B	C-MOTOR RUN-BOX; 13uF,-25 to 85,450V,5%	SA	1
4-9	2	M0030	DC91-11258E	ASSY SCREW; -, -,SHAFT+DIE-MOTO(COAT),-,M8	SA	4
4-10	2	U2004	DC93-00519A	ASSY PULLEY MOTOR; AUTOMATIC,STEEL,50Hz	SA	1
4-11	2	U2006	DC97-00623A	ASSY WASHER PLAIN; SEM-NEW,,,,,,	SA	1
4-12	2	M0021	DC97-00663D	ASSY CLUTCH; W3050 F500,10T,11kg	SNA	1
4-13	2	M0030	DC97-04458D	ASSY SCREW; -,5-6 KG MODEL,-,-,M8*30/FE/F	SNA	2

# 4. Assy Frame&Case

## Exploded View



## Parts List



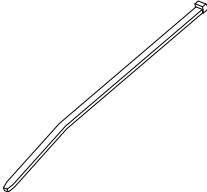
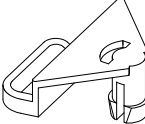




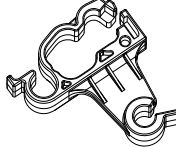


No.	Lvl.	Loc.	Material Code	Description & Specification	SNA	Qty.
1	1	W0506	DC90-14777A	ASSY FRAME; F500S,H-B,P,DA WHT	SA	1
1-1	2	W0487	DC90-13081B	ASSY BASE; F500S,HIGH,PUMP,PP C	SA	1
1-1-1	3	W0606	DC97-12754A	ASSY LEG; POSEIDON-PJT(8KG),BLK/PP-COPO	SA	2
1-2	2	W0248	DC61-01859A	FRAME PLATE-UP; PSD-PJT,PP,BLACK,T2.5,8KG	SNA	1
1-3	2	W0244	DC61-03601J	FRAME; F500S,GI-SGCC,-,DA WHITE,T0.6,PUMP	SNA	1
1-4	2		DC61-03604A	FRAME CORNER-FRONT RIGHT; W3050-F500,GI-S	SNA	1
1-5	2		DC61-03605A	FRAME CORNER-FRONT LEFT; W3050-F500,GI-SG	SNA	1
1-6	2		DC61-03606A	FRAME CORNER-REAR; W3050-F500,GI-SGCC,-,-	SA	2
1-7	2	U2014	DC64-01082D	HANDLE; POSEIDON2-PJT,PP,842J,DA-WHITE,WT	SA	2



No.	Lvl.	Loc.	Material Code	Description & Specification	SNA	Qty.
2	2	W0617	DC61-10571A	COVER BACK; GI-SGCC,T0.4,SEW-E851	SC	1
3	1	W0718	DC90-13095A	ASSY ACCESSORY; F500S,F700S,PUMP	SNA	1
3-1	2		DC97-09447A	ASSY HOSE(O); ALL MODEL,PP+EVA(77:23),L15	SA	1
3-1-1	3	W0626	DC62-10278A	HOSE HANGER; PUMP MODEL,PP,BLACK	SA	1
4	2	W0757	DC97-16921A	ASSY HOSE WATER; WA5700J	SC	1
5	2	W0757	DC97-16921B	ASSY HOSE WATER; HEBA,WF8804,REFLEX	SA	1
6	2	W0194	DC96-01550C	ASSY PUMP DRAIN; AUTO 8 KG,BLACK,A TYPE,A	SA	1
6-1	3	M0022	DC31-00030H	PUMP-DRAIN; 220V-240V,50Hz,30W,18L/min	SA	1
6-2	3	G0050	DC97-18167A	ASSY FILTER; AUTO 6-7 KG,PP	SA	1

## 5. Small Parts

### Exploded View

				
1	2	3	4	5
				
6	7	8	9	10
				
11				

### Parts List

No.	Lvl.	Loc.	Material Code	Description & Specification	SNA	Qty.
1	2	M0005	DC61-70029A	CLIP RING; HSWR-SWRH,ZPC3 / HSWR67 GRADE	SA	1
2	2	W0623	DC61-40086A	HOLDER WIRE; DAWH-3NB,PA,T1.8,NATURAL,-,K	SA	2
3	2		DC65-10002A	CABLE TIE; DA-203	SNA	2
4	2		DC63-00579D	COVER WIRE; W3050,COPO,PP,-,-,BLACK,FH44N	SNA	1
5	2	W0623	DC61-60074A	HOLDER WIRE; PA,-,NATURAL,-,101F,rectangl	SA	1
6	4	W0615	DC61-01136A	CLAMPER HOSE; F1235J,SK5,T1.0/ID14.8,WHT	SNA	2
7	2		DC65-20010A	CABLE CLAMP; DA-9N-1,NYLON66,NTR	SNA	1
8	2	G0040	DC66-10003A	WIRE VINYL; SEW-100 JL,PVC,T2.0,,,,,,,,,	SA	1
9	3		DC61-03286B	HOLDER WIRE; W3050 F500,PP,T2.0,-,-,BJ550	SNA	1

No.	Lvl.	Loc.	Material Code	Description & Specification	SNA	Qty.
10	2		DC65-20008C	CABLE CLAMP; DA-8N,ID13.2/T1.0,NYLON#66,N	SA	1
11	2		6046-000311	STAND OFF; ID15,L5,NTR,NYLON66,DAWH-5NB	SNA	1