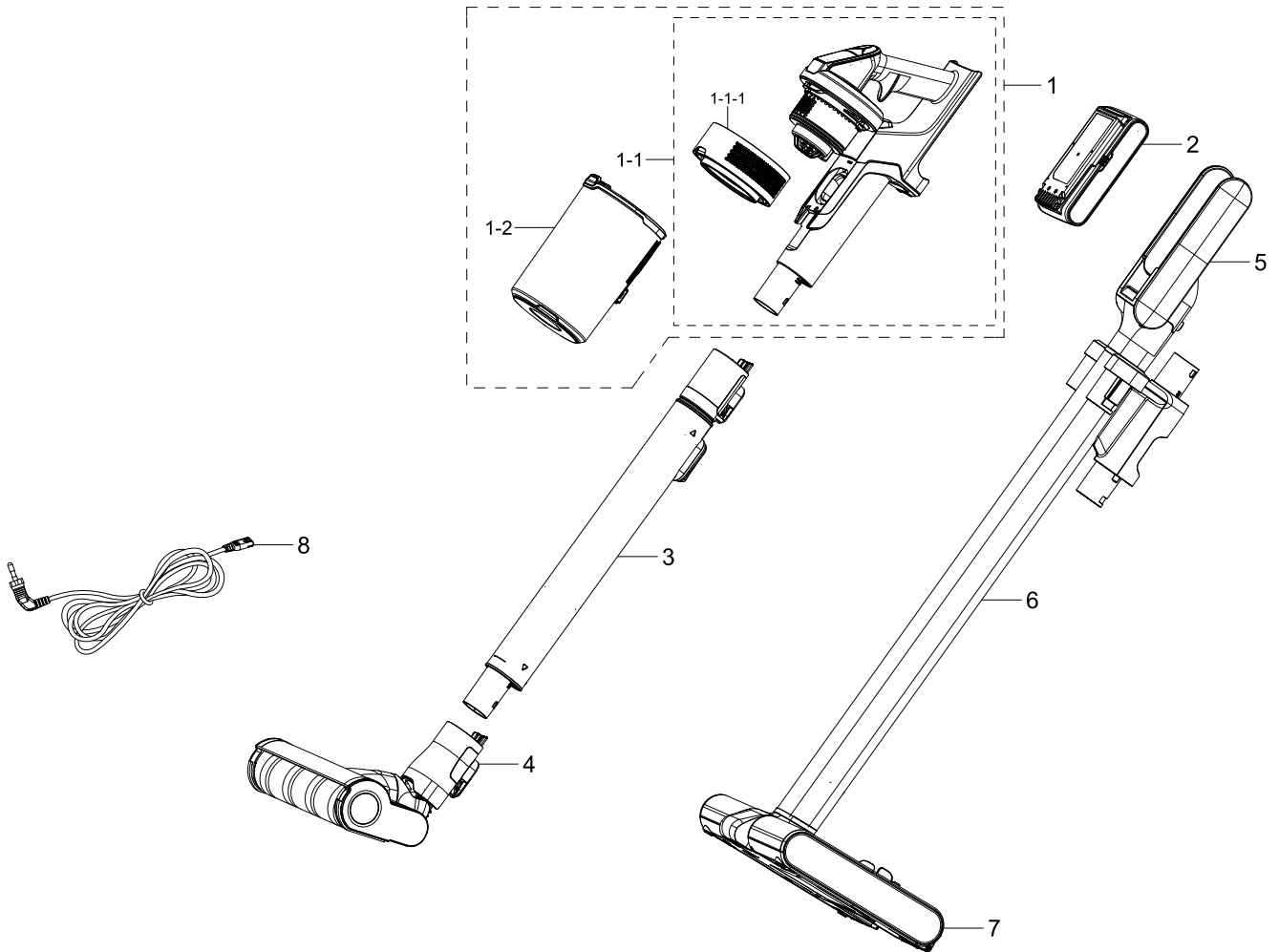


# 1. Main Body

Main Body

## Exploded View



## Parts List

No.	Lvl.	Loc.	Material Code	Description & Specification	SNA	Qty.
1	1		DJ97-02646S	ASSY HANDY; VS9000RL,ASSY HANDY,Titan Chr	SA	1
1-1	2	RB001	DJ97-03142H	ASSY BODY; VS9000RL,Dark Chrometal,HEPA,3	SNA	1
1-1-1	3	RB037	DJ97-02641A	ASSY GRILLE BACK; VS9000RL,SILVER,PTFE931	SA	1
1-2	2		DJ97-02835C	ASSY CYCLONE; VS9000RL,Titan ChroMetal,EX	SA	1
2	3		DJ96-00221A	ASSY BATTERY LI IB; Li-ion,21.9V,2850mAh,	SA	1
3	3		DJ97-02647A	ASSY PIPE; VS9000RL,AL,BUCKLE,DARK TITAN	SA	1
4	3		DJ97-02632D	ASSY BRUSH; VS9000RL,SOFT ACTION BRUSH,DO	SNA	1

Exploded Views and Parts List

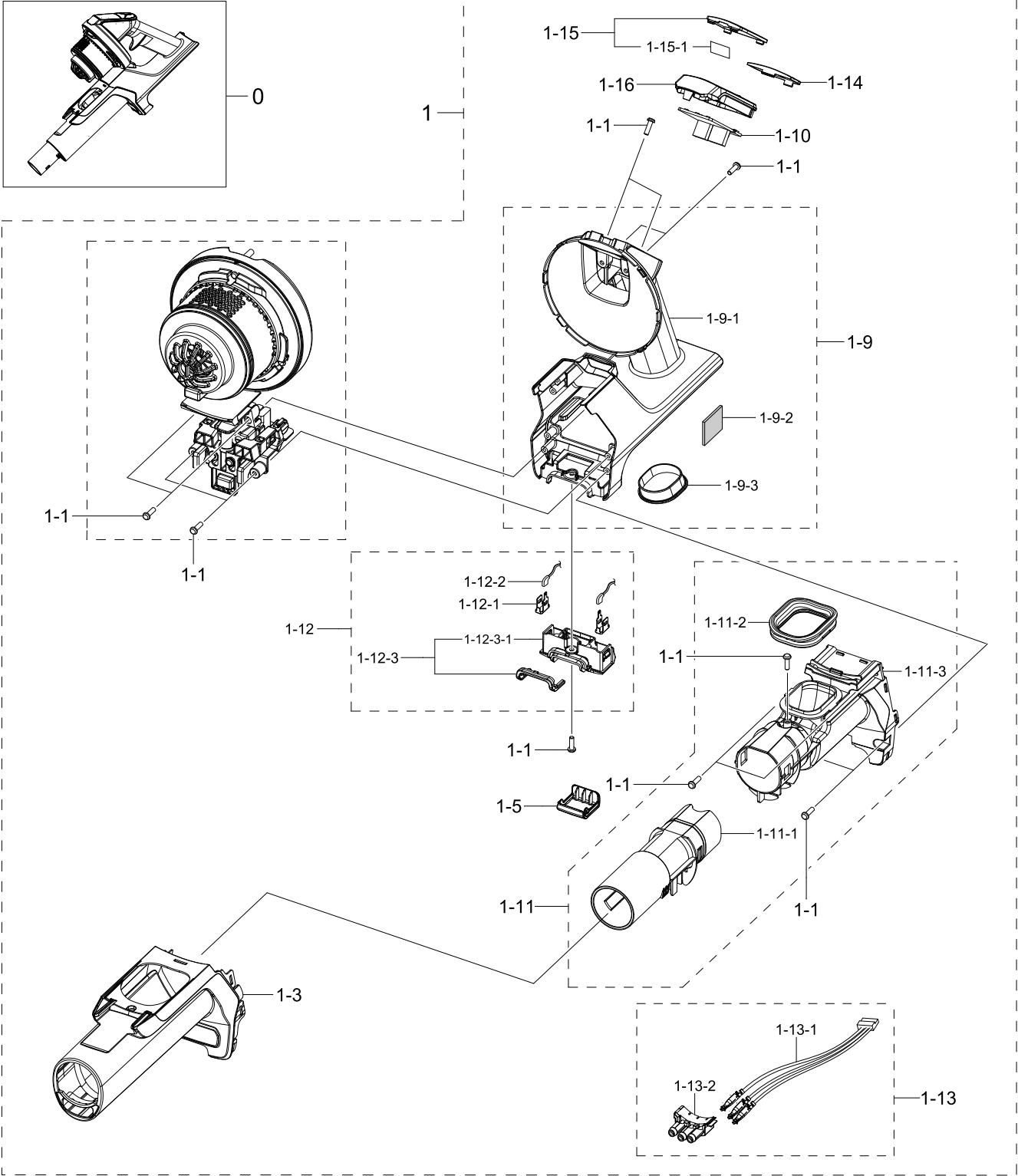
---

No.	Lvl.	Loc.	Material Code	Description & Specification	SNA	Qty.
5	3		DJ96-00223B	ASSY CHARGER-HOLDER; VS9000RL,DOM,BUTTON	SA	1
6	2		DJ96-00225D	ASSY CHARGER-PIPE; VS9000RL,WET+PET	SA	1
7	2		DJ96-00229K	ASSY CHARGER-BASE; VS9200TL,DARK CHROMETA	SA	1
8	2		3903-000525	POWER CORD-DT; CEE,2P-F,250V,2.5A,BLK,L15	SA	1

# 2. Assy Handy

Assy Handy

## Exploded View



## Parts List

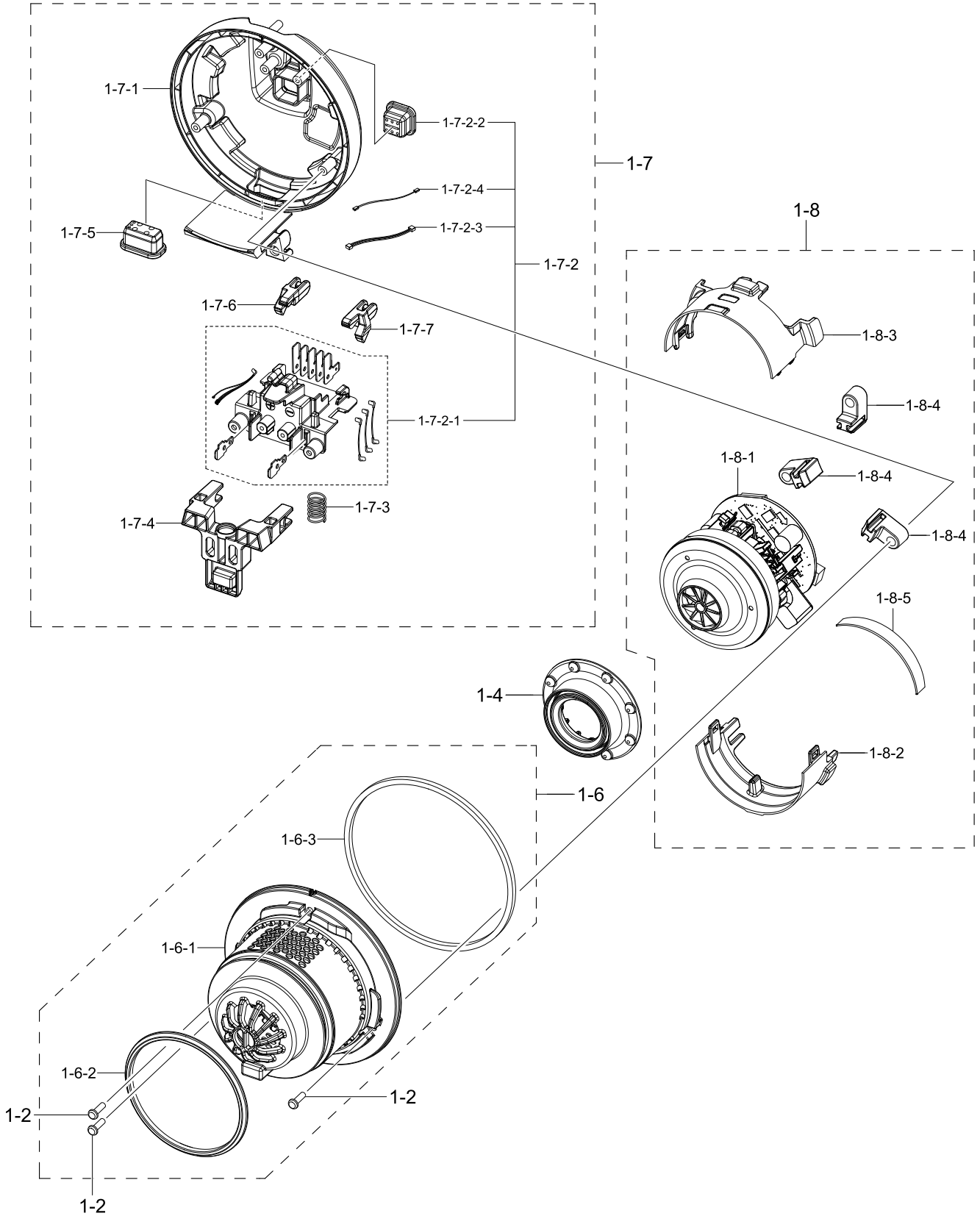
No.	Lvl.	Loc.	Material Code	Description & Specification	SNA	Qty.
0	2	RB001	DJ97-03142H	ASSY BODY; VS9000RL,Dark Chrometal,HEPA,3	SNA	1
1	3	RB001	DJ97-02683C	ASSY BODY; VS9000RL,3 STEP,EXP,Dark Chrom	SNA	1
1-1	4	RV005	6003-000159	SCREW-TAPTYPE; PH,+,B,M3,L10,ZPC(BLK),SWR	SNA	14
1-3	4		DJ61-02553E	FRAME FRONT; VS9200TL,ABS,NEAT WHITE,T1.2	SA	1
1-5	4		DJ64-01350A	BUTTON PUSH; VS9000NL,PC,Dark ChroMetal	SA	1
1-9	4	RB034	DJ97-02645A	ASSY FRAME; VS9000RL,Dark ChroMetal	SA	1
1-9-1	5		DJ61-02552A	FRAME; VS9000NL,PC,Dark ChroMetal,W97,M30	SNA	1
1-9-2	5		DJ63-01680A	FILTER SAFETY; VS9000RL,T5,W30,L40,EBONY	SNA	1
1-9-3	5		DJ67-00831A	CAP ETC; VS9000RL,PC,M3020PN,Dark ChroMet	SNA	1
1-10	4		DJ92-00178A	ASSY MODULE; SUB,VS9000RL,3-Button, LED D	SA	1
1-11	4	RB033	DJ97-02643A	ASSY DUCT INLET; VS9000RL	SA	1
1-11-1	5		DJ62-00459A	PIPE CONNECTOR; VS9000RL,PC,ID30,OD33.8,G	SNA	1
1-11-2	5		DJ63-01653A	GASKET DUCT; VS9000NL,TPV,TPV-45VSH-45A,T	SA	1
1-11-3	5		DJ67-00832A	DUCT INLET; VS9000NL,PC+ABS,HI-1050,EBONY	SNA	1
1-12	4		DJ97-02644A	ASSY HOLDER; VS9000RL,CHARGING	SA	1
1-12-1	5		DJ37-00016A	TERMINAL; T0.5	SNA	2
1-12-2	5		DJ39-00284A	WIRE HARNESS-TERMINAL; 1P,CHARGER,UL3398,	SNA	2
1-12-3	5		DJ63-01654A	CUSHION ETC; VS9000NL,TPE,W31.4,L9.5,OR30	SNA	1
1-12-3-1	6		DJ61-02558A	HOLDER ETC; VS9000NL,PC,L25.3,Dark ChroMe	SNA	1
1-13	4		DJ97-02671A	ASSY HOLDER; VS9000RL,PIPE-HANDY	SA	1
1-13-1	5		DJ39-00293A	WIRE HARNESS-TERMINAL; 3P,Pipe,UL3398,#22	SNA	1
1-13-2	5		DJ61-02555A	HOLDER TERMINAL; VS9000RL,PC,L25.5,EBONY	SNA	2
1-14	4	RB013	DJ97-02678A	ASSY BUTTON; VS9000RL,BUTTON CONTROL	SA	1
1-15	4	RB025	DJ97-02679B	ASSY COVER DISPLAY; VS9000RL,INLAY,EXP	SA	1

No.	Lvl.	Loc.	Material Code	Description & Specification	SNA	Qty.
1-15-1	5		DJ64-01366B	INLAY DISPLAY; VS9000RL,PC,T0.3,W37.8,L33	SNA	1
1-16	4	RB188	DJ64-01353A	PANEL CONTROL; VS9000NL,ABS,GP-35,NEUTRAL	SA	1

## 2.1. Assy Handy\_Assy Motor Parts

### Assy Handy\_Assy Motor Parts

#### Exploded View



## Parts List

No.	Lvl.	Loc.	Material Code	Description & Specification	SNA	Qty.
1-2	4	RV005	6002-000325	SCREW-TAPPING; PH,+,-,2,M3,L20,ZPC(WHT),S	SNA	3
1-4	4		DJ63-01659A	CUSHION MOTOR; VS9000NL,NBR,EBONY BLACK,F	SA	1
1-6	4	RJ004	DJ97-02670A	ASSY CASE MOTOR F; VS9000RL,BLACK	SA	1
1-6-1	5	RJ031	DJ63-01656A	COVER MOTOR; VS9000NL,ABS,NEUTRAL GRAY,HG	SNA	1
1-6-2	5		DJ63-01657A	GASKET GRILLE; VS9000NL,TPV,TPV-45VSH-45A	SNA	1
1-6-3	5		DJ63-01674A	GASKET ETC; VS9000RL,EVA FOAM,T3,W3,L154	SNA	1
1-7	4		DJ97-02642A	ASSY HOLDER TERMINAL; VS9000RL	SA	1
1-7-1	5		DJ64-01351A	DECORATION COVER; VS9000NL,ABS,NEUTRAL GR	SNA	1
1-7-2	5	RJ189	DJ39-00290A	WIRE HARNESS-STICK; 5P,UL3398,#14,VS9000R	SNA	1
1-7-2-1	6		DJ61-02567A	HOLDER TERMINAL; VS9000NL,PK+GF5%,L52,BLA	SNA	1
1-7-2-2	6		DJ63-01732A	GASKET WIRE; VS9000NL,TPV,TPV-45VS,BLACK,	SNA	1
1-7-2-3	6		DJ39-00291A	WIRE HARNESS-PBA; 8P,DISPLAY,UL2651,#26,V	SNA	1
1-7-2-4	6		DJ32-00022A	SENSOR MAG; TMR1032,5V,TMR,SMH200-03	SNA	1
1-7-3	5	RP302	DJ61-01350A	SPRING ETC-BUTTON; SU9380,HSWR,COD0.6,ID6	SA	1
1-7-4	5		DJ61-02557A	GUIDE LINK; VS9000NL,ABS,L32.5,HB,GP-35,N	SNA	1
1-7-5	5		DJ63-01647A	GASKET WIRE; VS9000NL,NBR,T2.5,BATTERY	SNA	1
1-7-6	5		DJ66-00824A	LEVER RELEASE; VS9000NL,ABS,HG-0760GP,EBO	SNA	1
1-7-7	5		DJ66-00825A	LEVER RELEASE; VS9000NL,ABS,HG-0760GP,EBO	SNA	1
1-8	4		DJ94-00892A	ASSY MOTOR PARTS; VS9000RL,SAMSUNG	SNA	1
1-8-1	5		DJ31-00164A	MOTOR BLDC FAN; SGEC,110krpm,21.6V,25A,55	SA	1
1-8-2	5		DJ61-02604A	HOLDER MOTOR; VS9000RL,PPL37,DARK HOLDER	SA	1
1-8-3	5		DJ61-02605A	HOLDER MOTOR; VS9000RL,PPL42,DARK HOLDER	SA	1
1-8-4	5		DJ63-01683A	CUSHION ETC; VS9000RL,NBR,W9.2,L16,EBONY	SNA	3
1-8-5	5		DJ63-01686A	GASKET ETC; VS9000RL,EPDM FOAM,T1,W15,L20	SA	1

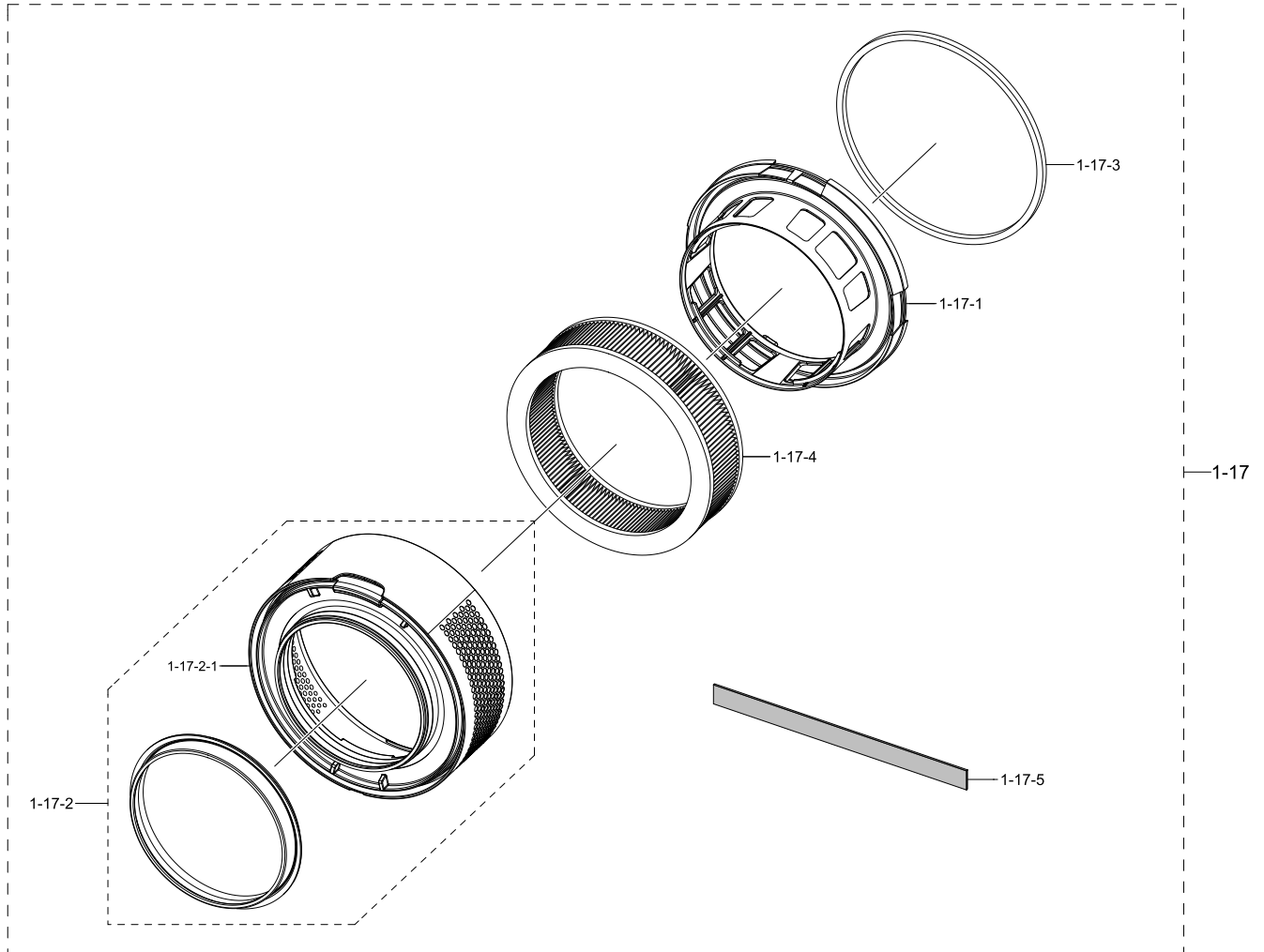




## 2.2. Assy Handy\_Assy Grille Back

Assy Handy\_Assy Grille Back

### Exploded View



### Parts List

No.	Lvl.	Loc.	Material Code	Description & Specification	SNA	Qty.
1-17	3	RB037	DJ97-02641A	ASSY GRILLE BACK; VS9000RL,SILVER,PTFE931	SA	1
1-17-1	4		DJ61-02559A	HOLDER GRILLE; VS9000NL,PC+ABS,L108,EBONY	SNA	1
1-17-2	4		DJ63-01658A	GASKET GRILLE; VS9000NL,TPE,OR3000PC,BLAC	SNA	1
1-17-2-1	5		DJ64-01355A	GRILLE FILTER; VS9000NL,ABS,NEUTRAL GRAY,	SNA	1
1-17-3	4		DJ63-01674A	GASKET ETC; VS9000RL,EVA FOAM,T3,W3,L154	SNA	1

Exploded Views and Parts List

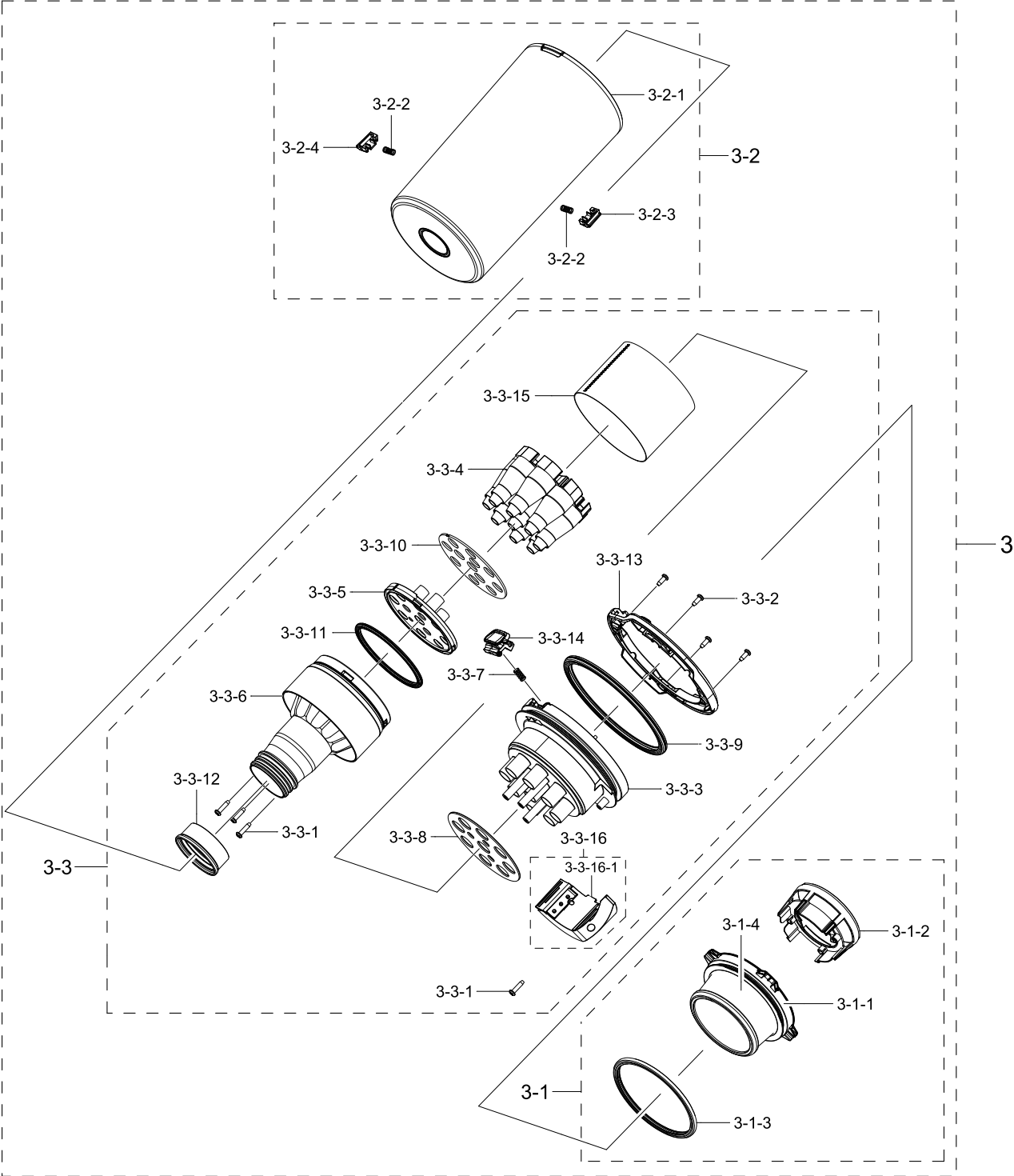
---

No.	Lvl.	Loc.	Material Code	Description & Specification	SNA	Qty.
1-17-4	4		DJ63-01675A	FILTER OUTLET; VS9000RL,T9,W26.5,PTFE9314	SNA	1
1-17-5	4		DJ63-01681A	ABSORBER ETC; VS9000RL,PET,T1.2	SNA	1

## 2.3. Assy Handy\_Assy Cyclone

Assy Handy\_Assy Cyclone

### Exploded View



## Parts List

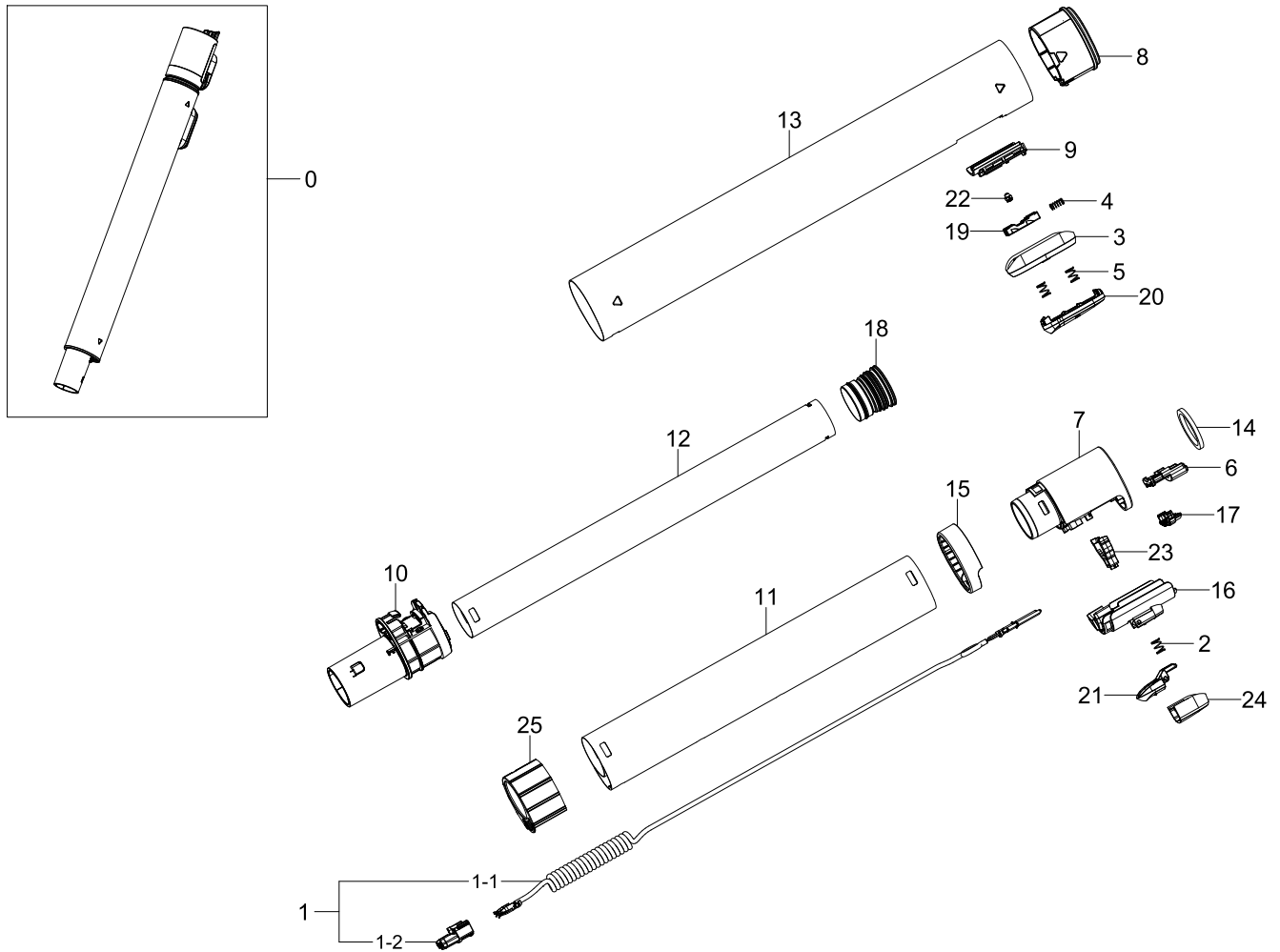
No.	Lvl.	Loc.	Material Code	Description & Specification	SNA	Qty.
3	2		DJ97-02835C	ASSY CYCLONE; VS9000RL,Titan ChroMetal,EX	SA	1
3-1	3		DJ97-02649B	ASSY FILTER; VS9000RL,MICRO,DEEP BLUE,SOF	SA	1
3-1-1	4		DJ61-02590A	HOLDER FILTER; VS9000NL,ABS,T1.2,L84.4,De	SNA	1
3-1-2	4		DJ61-02591A	SUPPORT FILTER; VS9000NL,ABS,T1.2,HG-0760	SNA	1
3-1-3	4		DJ63-01671A	GASKET HOLDER; VS9000NL,TPV,TPV-45VSH-65A	SNA	1
3-1-4	4		DJ63-01678B	FILTER CYCLONE; VS9000RL,SOFT SKY BLUE,FI	SNA	1
3-2	3	RL005	DJ97-02829A	ASSY CASE; VS7000TL,GRAY TRP,No,0.8L	SA	1
3-2-1	4		DJ61-02753A	CASE CYCLONE; VS9000-Renewal,PC,T1.4,GRAY	SNA	1
3-2-2	4		DJ61-02594A	SPRING ETC COIL; VS9000RL,STS304,0.4mm,ID	SNA	2
3-2-3	4		DJ64-01362A	BUTTON CYCLONE-LEFT; VS9000RL,ABS,Dark Ch	SNA	1
3-2-4	4		DJ64-01363A	BUTTON CYCLONE-RIGHT; VS9000RL,ABS,Dark C	SNA	1
3-3	3		DJ97-02837C	ASSY CYCLONE GRILLE; VS9000RL,Titan ChroM	SA	1
3-3-1	4	RV005	6002-000462	SCREW-TAPPING; PH,+,2,M3,L10,ZPC(WHT),SWR	SNA	4
3-3-2	4	RV005	6002-001262	SCREW-TAPTYPE; PH,+,B,M3,L8,PASS,STS304	SNA	4
3-3-3	4		DJ61-02761A	CASE CYCLONE-UP; VS9000RL,ABS,T1.4,DARK C	SNA	1
3-3-4	4		DJ61-02765A	CASE CYCLONE-IN; VS9000RL,ABS,T1.2,EBONY	SNA	1
3-3-5	4		DJ61-02762A	CASE CYCLONE-MIDDLE; VS9000RL,ABS,T1.2,AI	SNA	1
3-3-6	4		DJ61-02764A	CASE CYCLONE-LOW; VS9000RL,ABS,T1.4,DARK	SNA	1
3-3-7	4		DJ61-02593A	SPRING ETC COIL; VS9000RL,STS304,0.6mm,ID	SA	1
3-3-8	4		DJ63-01762A	GASKET CYCLONE-MIDDLE; VS9000RL,EVA FOAM,	SNA	1
3-3-9	4		DJ63-01668A	GASKET CYCLONE-UP; VS9000RL,PVC,LF-G31,T1	SNA	1
3-3-10	4		DJ63-01761A	GASKET CYCLONE-IN; VS9000RL,EVA FOAM,T1.5	SNA	1
3-3-11	4		DJ63-01763A	GASKET ETC; VS9000RL,EVA FOAM,T2.5,W2.5,L	SNA	1

No.	Lvl.	Loc.	Material Code	Description & Specification	SNA	Qty.
3-3-12	4		DJ63-01670A	GASKET CYCLONE; VS9000RL,TPV,TPV-45VSH-65	SNA	1
3-3-13	4		DJ64-01360B	DECORATION CYCLONE-UP; VS9000RL,PC,T1.2,N	SNA	1
3-3-14	4		DJ64-01361B	BUTTON CYCLONE; VS9000RL,PC,NEUTRAL GRAY,	SNA	1
3-3-15	4		DJ64-01401A	GRILLE CYCLONE; VS9000RL,AI,CYCLONE RENEW	SNA	1
3-3-16	4		DJ97-02838A	ASSY GUIDE AIR; VS9000RL,Dark ChroMetal,C	SNA	1
3-3-16-1	5		DJ61-02766A	GUIDE AIR; VS9000RL,PP,T1.5,L93,ML9500,DA	SA	1

### 3. Assy Pipe

Assy Pipe

#### Exploded View



#### Parts List

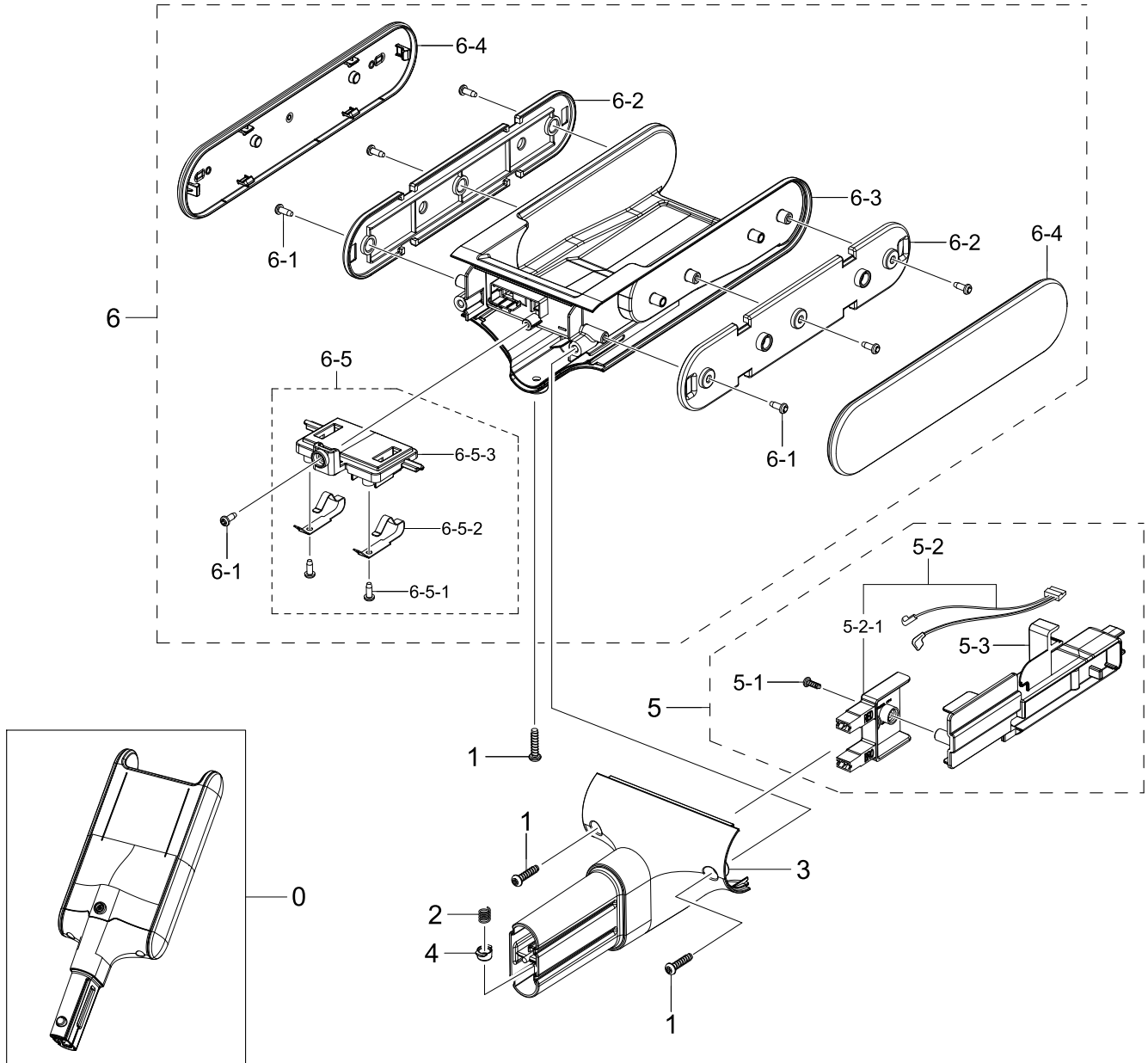
No.	Lvl.	Loc.	Material Code	Description & Specification	SNA	Qty.
0	3		DJ97-02647A	ASSY PIPE; VS9000RL,AL,BUCKLE,DARK TITAN	SA	1
1	4		DJ97-02688A	ASSY HOLDER; VS9000RL,PIPE-BRUSH	SNA	1
1-1	5		DJ39-00292A	WIRE HARNESS-TERMINAL; 3P,Curl Wire,UL205	SNA	1
1-2	5		DJ61-02555A	HOLDER TERMINAL; VS9000RL,PC,L25.5,EBONY	SNA	2
2	4		DJ61-00584A	SPRING ETC-CAP; VC-MBM940,HSWR,CD0.7,OD7.	SA	1
3	4		DJ61-02320B	HOLDER BUTTON; VS9000RL,PC,L59,D0,DARK CH	SA	1
4	4		DJ61-02322A	SPRING ETC COIL; Canister (ASSY PIPE),HSW	SA	1

No.	Lvl.	Loc.	Material Code	Description & Specification	SNA	Qty.
5	4		DJ61-02323A	SPRING ETC COIL; HSWR,CD0.4,ID6.3,OD7.1,L	SA	2
6	4		DJ61-02551A	HOLDER TERMINAL; VS9000NL,PC,L30,EBONY BL	SNA	1
7	4		DJ61-02554A	HOLDER PIPE; VS9000RL,PC,L50,BLACK,HB,302	SNA	1
8	4		DJ67-00830A	CAP PIPE; VS9000RL,PC,V-2,M3020PN,Dark Ch	SNA	1
9	4		DJ61-02556A	HOLDER LOCK; VS9000NL,POM,L42,NATURAL,HB,	SNA	1
10	4		DJ62-00473A	PIPE CONNECTOR; VS9000RL,PC,GRAY TR-P,302	SNA	1
11	4		DJ62-00463A	PIPE INNER; VS9000NL,Al,T0.6,Dark Titan	SNA	1
12	4		DJ62-00464A	PIPE INNER; VS9000NL,Al,ID29.6,OD30.4,T0.	SNA	1
13	4		DJ62-00465A	PIPE OUTER; VS9000NL,Al,T0.6,Dark Titan	SNA	1
14	4		DJ63-01618A	GASKET ETC; VS8000ML,EPDM,BLACK,PET FILM,	SNA	1
15	4		DJ63-01648A	COVER CONNECTOR; VS9000RL,PC,HB,BLACK,302	SNA	1
16	4		DJ63-01649A	COVER HOLDER; VS9000RL,PC,HB,BLACK,3022R,	SNA	1
17	4	RA051	DJ63-01651A	COVER TERMINAL; VS9000NL,PC,V-0,EBONY BLA	SNA	1
18	4		DJ63-01652A	GASKET PIPE; VS9000NL,LLDPE,XP-5400,NATUR	SNA	1
19	4		DJ64-01251A	LOCKER SLIDE; PA66,NATURAL,KN3311	SA	1
20	4		DJ64-01252B	BUTTON PUSH; VS9000RL,PC,V-2,DARK CHROMET	SA	1
21	4		DJ64-01348A	KNOB PIPE; VS9000RL,PC,Dark ChroMetal,M30	SA	1
22	4		DJ64-01349A	LOCKER PIPE; VS9000NL,PA6+GF30%,NATURAL,K	SA	1
23	4		DJ66-00823A	LEVER RELEASE; VS9000NL,PC,3022R,GRAY TR-	SNA	1
24	4		DJ67-00828A	CAP KNOB; VS9000RL,PC,V-2,M3020PN,Dark Ch	SA	1
25	4		DJ67-00829A	CAP ETC; VS9000NL,PC,HB,3022R,GRAY TR-P	SNA	1

# 4. Assy Charger-Holder\_Button Type

Assy Charger-Holder\_Button Type

## Exploded View





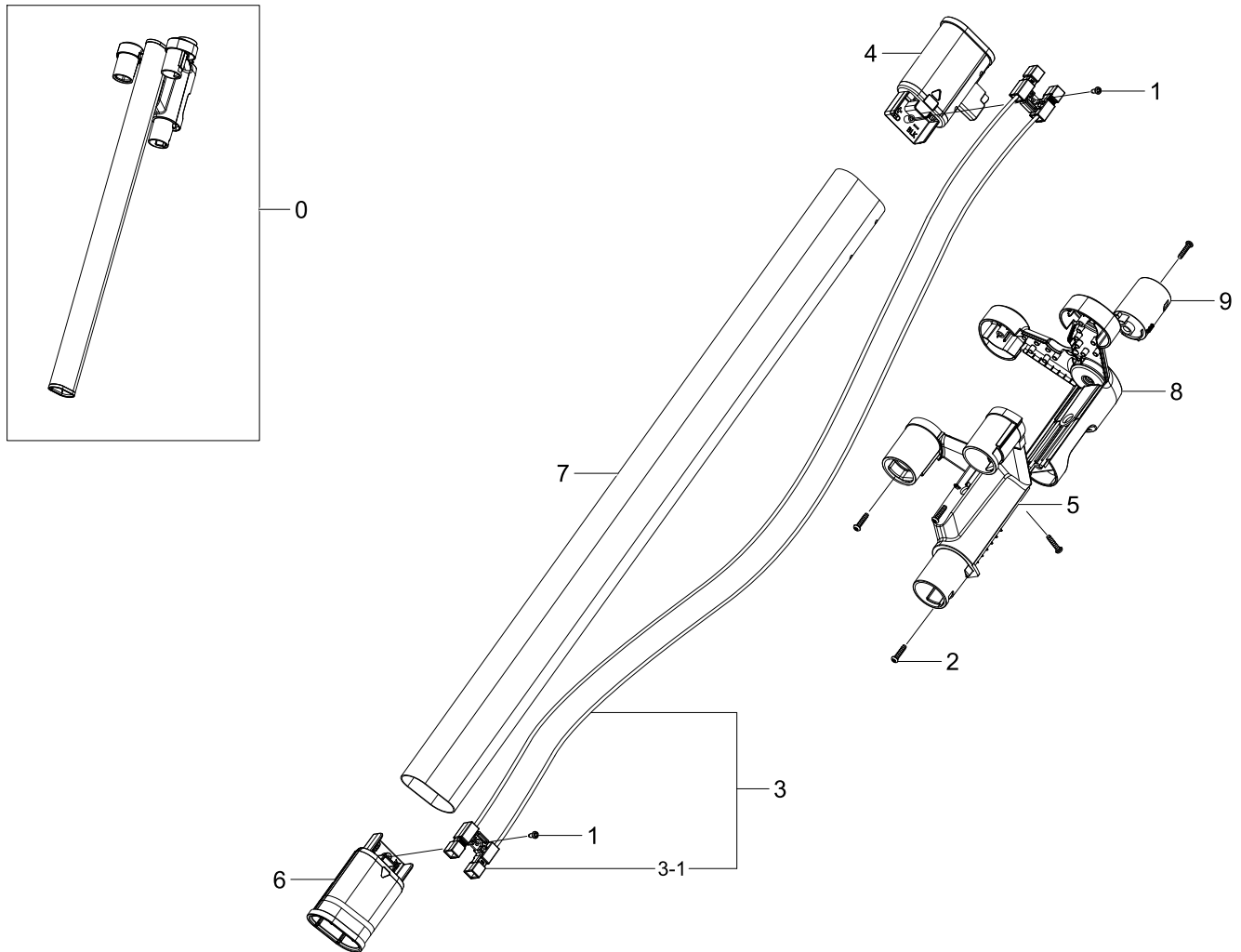
## Parts List

No.	Lvl.	Loc.	Material Code	Description & Specification	SNA	Qty.
0	3		DJ96-00223B	ASSY CHARGER-HOLDER; VS9000RL,DOM,BUTTON	SA	1
1	4	RV005	6003-001050	SCREW-TAPTYPE; SWRCH18A,PASS,L16,M4,PH,+	SNA	3
2	4		DJ61-00584A	SPRING ETC-CAP; VC-MBM940,HSWR,CD0.7,OD7.	SA	1
3	4		DJ61-02569B	BODY CHARGER; VS9000RL,ABS,Dark ChroMetal	SA	1
4	4		DJ64-01372A	BUTTON PUSH; VS9000RL,PC,HB,IRON RED,ASSY	SNA	1
5	4	RB034	DJ97-02665A	ASSY FRAME; VS9000RL,ASSY CHARGER HOLDER	SNA	1
5-1	5	RV005	6002-000630	SCREW-TAPPING; PH,+,2S,M3,L8,ZPC(WHT),SWR	SNA	1
5-2	5		DJ39-00288A	WIRE HARNESS-TERMINAL; 2P,Cradle(SET),UL1	SNA	1
5-2-1	6		DJ61-02195A	HOLDER TERMINAL; SU12F70SH,PBT,L53,BLACK,	SNA	1
5-3	5		DJ61-02570A	HOLDER BUTTON; VS9000RL,ABS,L150,NATURAL,	SNA	1
6	4	RB001	DJ97-02667A	ASSY BODY; VS9000RL,ASSY CHARGER HOLDER	SNA	1
6-1	5	RV005	6002-000630	SCREW-TAPPING; PH,+,2S,M3,L8,ZPC(WHT),SWR	SNA	7
6-2	5		DJ61-02568A	HOLDER ETC; VS9000RL,ABS,L195.5,NATURAL,H	SNA	2
6-3	5		DJ63-01663A	COVER CHARGER; VS9000RL,ABS,HB,Dark ChroM	SNA	1
6-4	5		DJ64-01356A	DECORATION SIDE; VS9000RL,ABS,WARM SILVER	SNA	2
6-5	5		DJ97-02666A	ASSY HOLDER TERMINAL; VS9000RL,ASSY CHARG	SA	1
6-5-1	6	RV005	6002-000630	SCREW-TAPPING; PH,+,2S,M3,L8,ZPC(WHT),SWR	SNA	2
6-5-2	6		DJ37-00019A	TERMINAL; VS9000RL,ASSY CHARGER HOLDER	SNA	2
6-5-3	6		DJ61-02571A	HOLDER TERMINAL; VS9000RL,PC,L46,Dark Chr	SNA	1

# 5. Assy Charger-Pipe

Assy Charger-Pipe

## Exploded View



## Parts List

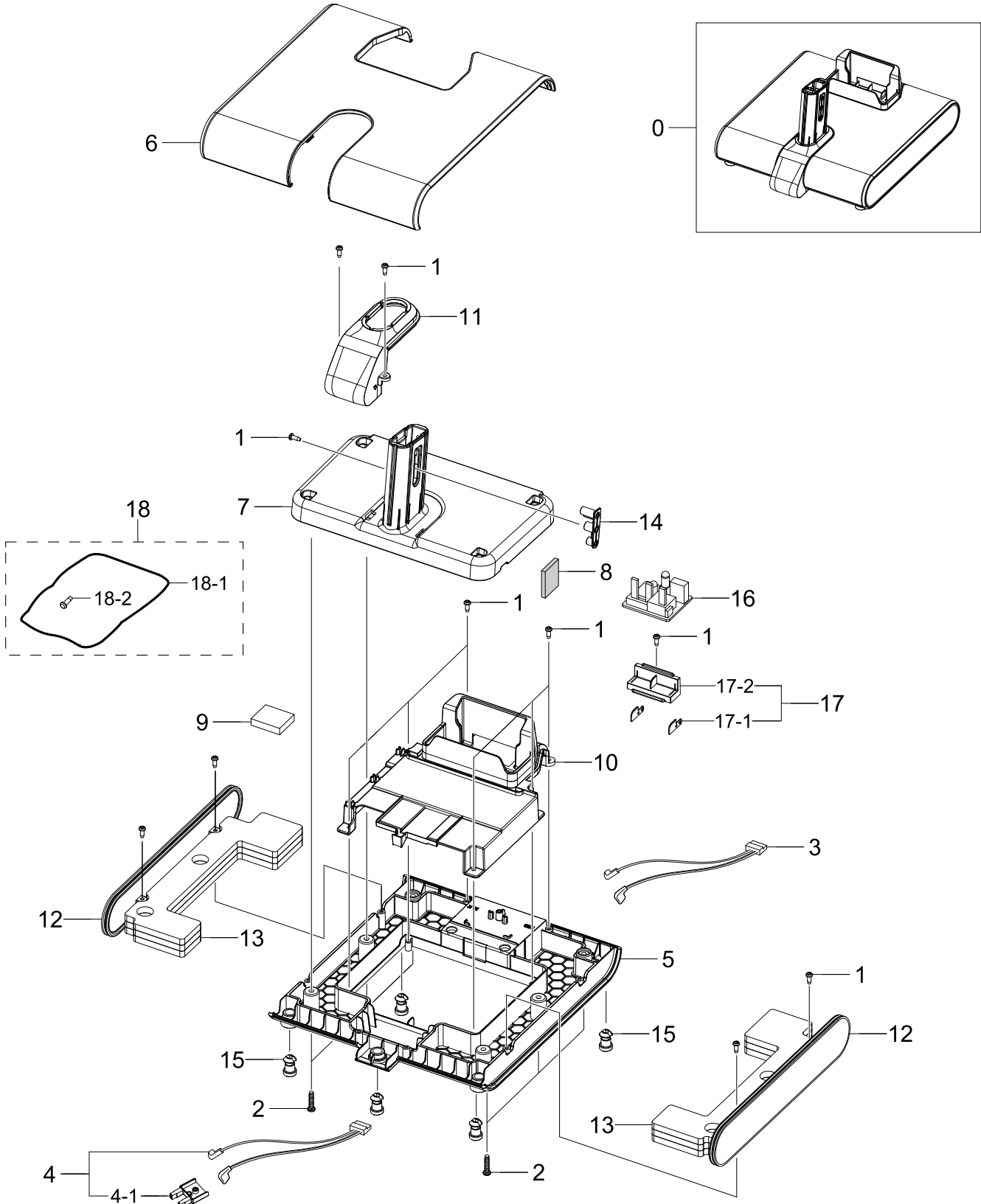
No.	Lvl.	Loc.	Material Code	Description & Specification	SNA	Qty.
0	2		DJ96-00225D	ASSY CHARGER-PIPE; VS9000RL,WET+PET	SA	1
1	3	RV005	6002-000630	SCREW-TAPPING; PH,+,2S,M3,L8,ZPC(WHT),SWR	SNA	2
2	3	RV005	6003-001050	SCREW-TAPTTYPE; SWRCH18A,PASS,L16,M4,PH,+,	SNA	5
3	3		DJ39-00281A	WIRE HARNESS-TERMINAL; 2P,Cradle(PIPE),UL	SNA	1
3-1	4		DJ61-02194A	HOLDER TERMINAL; SU12F70SH,PBT,L30,BLACK,	SNA	2
4	3		DJ61-02572B	HOLDER PIPE; VS9000RL,PC,L130,BLACK,HB,30	SNA	1

No.	Lvl.	Loc.	Material Code	Description & Specification	SNA	Qty.
5	3		DJ61-02711A	HOLDER ACCESSORY; VS9000,ABS,L145,Dark Ch	SNA	1
6	3		DJ61-02574A	HOLDER PIPE; VS9000NL,PC,L92,BLACK,HB,302	SNA	1
7	3		DJ62-00462A	PIPE OUTER; VS9000NL,AI,ID50,OD52,L639.9,	SNA	1
8	3		DJ63-01733A	COVER ACCESSORY; VS9000,ABS,HB,Dark Chrom	SNA	1
9	3		DJ61-02612A	HOLDER CONNECTOR; VS9000RL,ABS,T2,L50.7,D	SNA	1

# 6. Assy Charger-Base

Assy Charger-Base

Exploded View



## Parts List

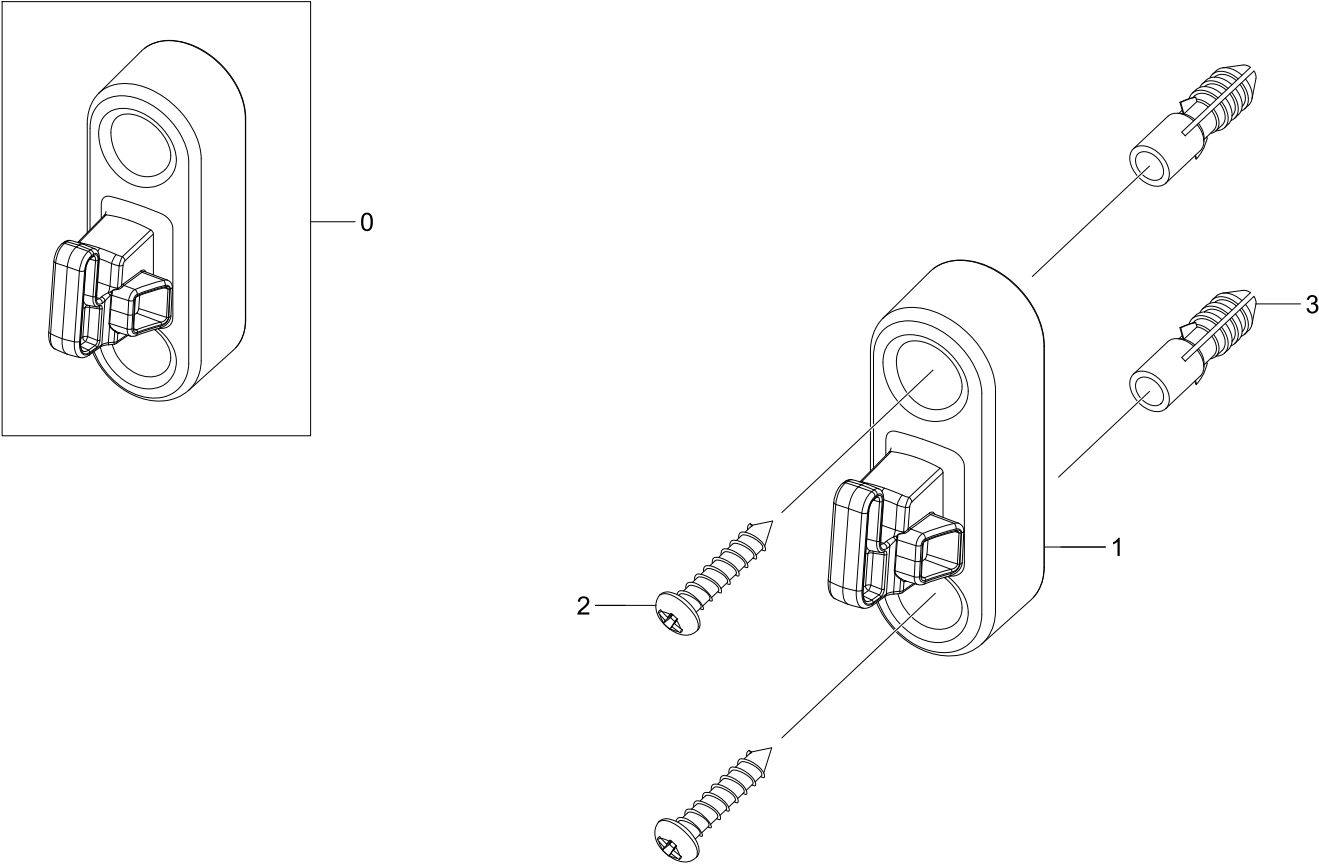
No.	Lvl.	Loc.	Material Code	Description & Specification	SNA	Qty.
0	2		DJ96-00229K	ASSY CHARGER-BASE; VS9200TL,DARK CHROMETA	SA	1
1	3	RV005	6002-000630	SCREW-TAPPING; PH,+,2S,M3,L8,ZPC(WHT),SWR	SNA	14
2	3	RV005	6003-001050	SCREW-TAPTYPE; SWRCH18A,PASS,L16,M4,PH,+,	SNA	6
3	3	RJ109	DJ39-00282A	WIRE HARNESS-POWER; 2P,Cradle(Battery),UL	SNA	1
4	3	RJ109	DJ39-00287A	WIRE HARNESS-POWER; 2P,Cradle(SET),UL1007	SNA	1
4-1	4		DJ61-02195A	HOLDER TERMINAL; SU12F70SH,PBT,L53,BLACK,	SNA	1
5	3		DJ61-02575A	BODY LOW; VS9000NL,PC,EBONY BLACK,V-0,302	SNA	1
6	3		DJ61-02576A	BODY UP; VS9000RL,ABS,Dark ChroMetal,HB,L	SA	1
7	3		DJ61-02577A	HOLDER ETC; VS9000RL,AI,L92,ALDC12,DIE CA	SNA	1
8	3		DJ63-00508D	FILTER-SAFETY; SC6500,T10,W50,L35,BLACK,N	SNA	1
9	3		DJ63-01731A	GASKET ETC; VS9000RL-ESS,EVA FOAM,W14,L34	SNA	2
10	3	RB150	DJ63-01665A	COVER BACK; VS9000RL,PC,L176,V-2,Dark Chr	SNA	1
11	3	RB108	DJ63-01666A	COVER FRONT; VS9000RL,ABS,HB,Dark ChroMet	SNA	1
12	3		DJ64-01358A	DECORATION SIDE; VS9000NL,ABS,EBONY BLACK	SNA	2
13	3		DJ67-00845A	WEIGHT BALANCE; VS9000RL,SS275,T14,Plasma	SA	2
14	3		DJ67-00834A	CAP ETC; VS9000RL,PC,V-2,3022R,BLACK	SNA	1
15	3		DJ67-00835A	RUBBER ADAPTER; VS9000RL,TPV,TPV-45VSH-65	SA	4
16	3		DJ92-00177B	ASSY MODULE; SMPS,VS9000RL,80W,25.85V,1.4	SA	1
17	3		DJ97-02650A	ASSY HOLDER TERMINAL; VS9000RL,ASSY CHARG	SNA	1
17-1	4		DJ37-00020A	TERMINAL; VS9000RL,ASSY CHARGER BASE	SNA	2
17-2	4		DJ61-02579A	HOLDER TERMINAL; VS9000RL,PC,L37,Dark Chr	SNA	1
18	3		DJ98-01147A	ASSY ACCESSORY; VS9000RL,ASSY CHARGER SCR	SA	1
18-1	4		6902-003043	BAG PE; LDPE,T0.05,W80,L120,TRP,RECYCLE,H	SNA	1
18-2	4	RV005	6003-001286	SCREW-TAPTYPE; PH,+,B,M4,L10,ZPC(BLK),SWR	SNA	1



# 7. Holder ETC

Holder ETC

## Exploded View



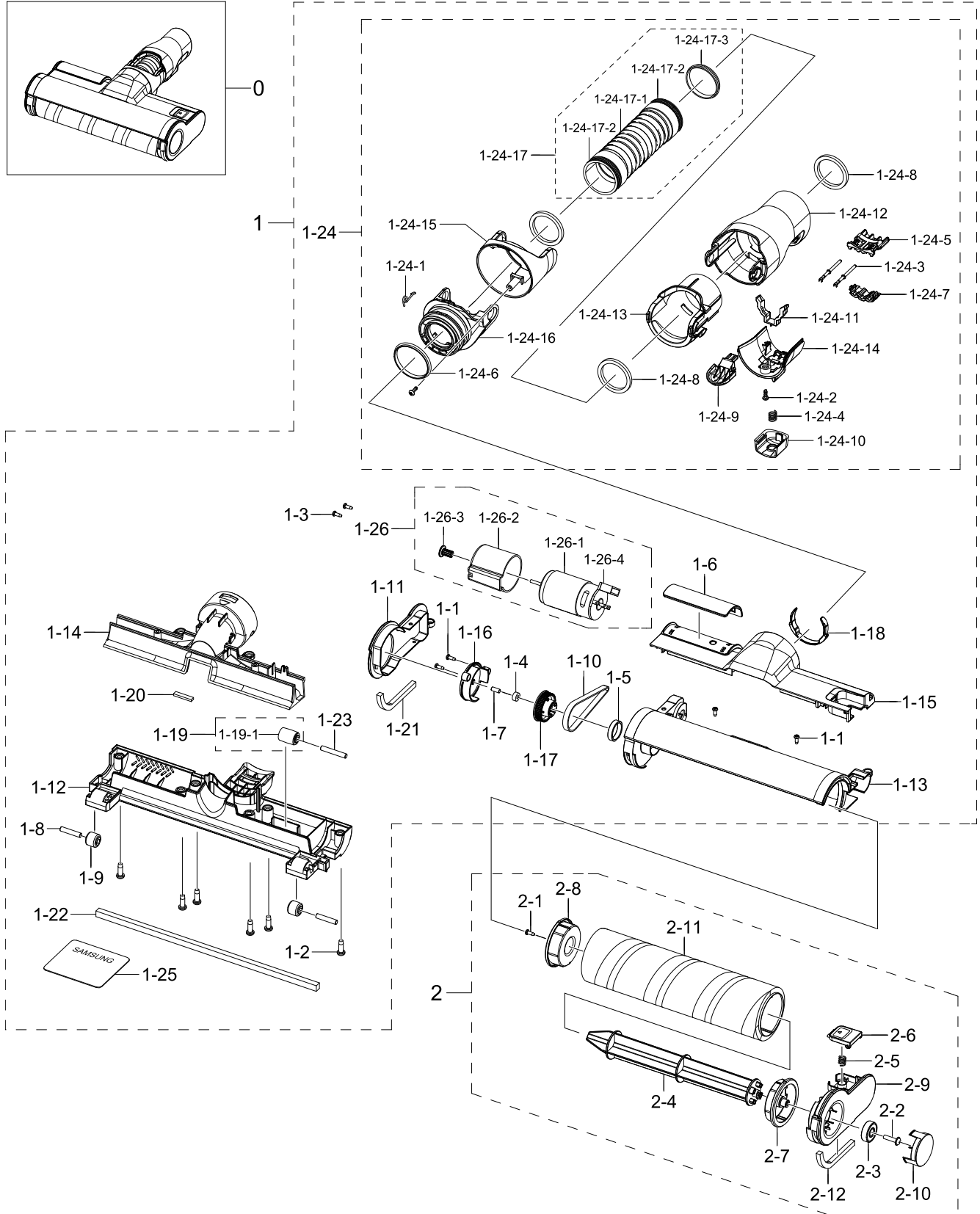
## Parts List

No.	Lvl.	Loc.	Material Code	Description & Specification	SNA	Qty.
0	2		DJ98-01133B	ASSY ACCESSORY; VS9000RL,HOLDER ETC,GLOBA	SA	1
1	3		DJ61-02578A	HOLDER ETC; VS9000RL,PC,L96,GRAY TR-P,HB,	SNA	1
2	3	RV005	6002-001644	SCREW-TAPPING; BH,+,1,M5,L55,ZPC(BLK),SWR	SNA	2
3	3		DJ61-02601A	HOLDER LOCK; VS9000RL,PP,L40,NATURAL,HB,B	SNA	2

# 8. Soft Action Brush

## Soft Action Brush

### Exploded View





## Parts List

No.	Lvl.	Loc.	Material Code	Description & Specification	SNA	Qty.
0	3		DJ97-02632D	ASSY BRUSH; VS9000RL,SOFT ACTION BRUSH,DO	SNA	1
1	4		DJ97-02850A	ASSY BODY BRUSH; VS9000RL,DARK CHROMETAL,	SA	1
1-1	5	RV005	6002-000630	SCREW-TAPPING; PH,+,2S,M3,L8,ZPC(WHT),SWR	SNA	4
1-2	5	RV005	6003-000170	SCREW-TAPTYPE; PH,+,B,M4,L12,ZPC(WHT),SWR	SNA	6
1-3	5	RV005	6006-000112	SCREW-MACHINE; PH,+,WS,M2.6,L8,ZPC(WHT),S	SNA	2
1-4	5		6601-003453	BEARING BALL; 684ZZMC3,ID4,OD9,L4,STB2,68	SNA	1
1-5	5		6601-003318	BEARING OILLESS; SBF4118,L5.1,OD22.2,ID18	SNA	1
1-6	5		DJ64-01330B	DECORATION COVER; VS8000ML,ABS,Airborne,T	SNA	1
1-7	5		DJ66-00549C	SHAFT ETC; VS8000ML,STS304,9.5,4.0,GEAR B	SNA	1
1-8	5		DJ66-00836A	SHAFT ROLLER; VS9000RL,MSWR,L20.4,OD3.9,D	SA	2
1-9	5		DJ66-00806A	ROLLER; VS9000RL,NBR,OD12,DARK CHROMETAL,	SA	2
1-10	5		6602-004036	BELT-TIMING GEAR; 2M-194-6,NBR,T1.38,W6,L	SA	1
1-11	5		DJ67-00823B	CAP CASE; VS9000RL,ABS,HB,LU637,DARK CHRO	SNA	1
1-12	5		DJ61-02528D	BODY BRUSH; VS9000RL,ABS,DARK CHROMETAL,I	SA	1
1-13	5		DJ61-02529B	CASE DRUM; VS9000RL,PC,GRAY TR-P,SR1000,p	SNA	1
1-14	5		DJ61-02534B	GUIDE AIR; VS9000RL,PC,L190.7,ES3022N,BLA	SNA	1
1-15	5		DJ63-01636B	COVER BRUSH; VS9000RL,ABS,HB,Dark ChroMet	SA	1
1-16	5		DJ63-01637B	COVER GEAR BOX; VS9000RL,PC,V-2,AIRBORNE,	SA	1
1-17	5		DJ66-00811A	PULLEY DRUM; VS8000ML,POM,NATURAL,K300,SO	SNA	1
1-18	5		DJ61-02533A	GUIDE KEY; VS8000ML,POM,L38.4,K300,NATURA	SNA	1
1-19	5		DJ66-00813A	ROLLER-OUT; VS8000ML,TPEE,OD12,BLACK	SA	1
1-19-1	6		DJ66-00812A	ROLLER-IN; VS8000ML,POM,NATURAL,ID4.2	SNA	1

## Exploded Views and Parts List

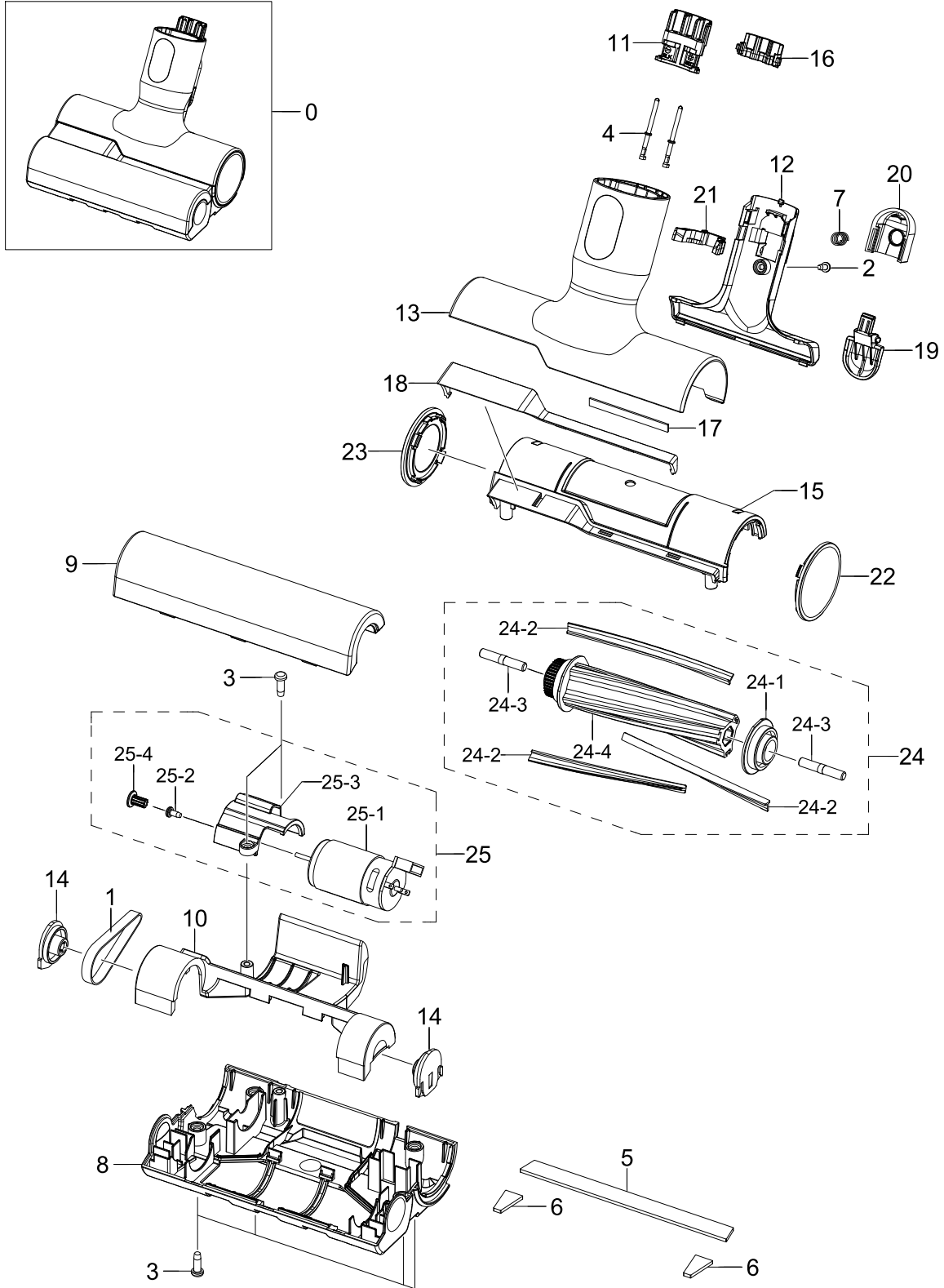
No.	Lvl.	Loc.	Material Code	Description & Specification	SNA	Qty.
1-20	5		DJ60-00040A	SPACER BRUSH; VS6000KL,WOOL,L18,PORSCHE R	SNA	1
1-21	5		DJ60-00051A	SPACER BRUSH; VS8000ML,WOOL,L85,W5,SOFT A	SNA	1
1-22	5		DJ60-00060A	SPACER BRUSH; VS9000RL,WOOL,L247,W5,SPACE	SNA	1
1-23	5	RP294	DJ70-30110A	SHAFT ROLLER-B; VC-DOM,MSWR,L26,OD3.9,ZPC	SA	1
1-24	5		DJ97-02637A	ASSY PIPE C/BRUSH; VS9000RL,PC,DOM,L148.3	SA	1
1-24-1	6		DJ61-02592A	SPRING ETC; VS9000RL,HSWR,1.2mm,ID3.2,OD5	SNA	1
1-24-2	6	RV005	6002-000630	SCREW-TAPPING; PH,+,2S,M3,L8,ZPC(WHT),SWR	SNA	2
1-24-3	6		DJ39-00286A	WIRE HARNESS-MOTOR; 2P,BRUSH(SOFT ACTION)	SA	1
1-24-4	6		DJ61-00584A	SPRING ETC-CAP; VC-MBM940,HSWR,CD0.7,OD7.	SA	1
1-24-5	6		DJ61-02551A	HOLDER TERMINAL; VS9000NL,PC,L30,EBONY BL	SNA	1
1-24-6	6		DJ62-00300A	SEAL-C/PIPE; NB-810,NBR,BLACK,T0.6,HARDNE	SNA	1
1-24-7	6	RA051	DJ63-01651A	COVER TERMINAL; VS9000NL,PC,V-0,EBONY BLA	SNA	1
1-24-8	6		DJ63-01618A	GASKET ETC; VS8000ML,EPDM,BLACK,PET FILM,	SNA	1
1-24-9	6		DJ64-01348A	KNOB PIPE; VS9000RL,PC,Dark ChroMetal,M30	SA	1
1-24-10	6		DJ67-00828A	CAP KNOB; VS9000RL,PC,V-2,M3020PN,Dark Ch	SA	1
1-24-11	6		DJ66-00823A	LEVER RELEASE; VS9000NL,PC,3022R,GRAY TR-	SNA	1
1-24-12	6		DJ62-00460A	PIPE CONNECTOR; VS9000RL,PC,DARK CHROMETA	SNA	1
1-24-13	6		DJ61-02565A	HOLDER ETC; VS9000RL,PC,L76.3,DARK CHROME	SNA	1
1-24-14	6		DJ63-01662A	COVER HOLDER; VS9000RL,PC,V-2,Dark ChroMe	SNA	1
1-24-15	6		DJ63-01635B	COVER CONNECTOR; VS9000RL,PC,V-2,Dark Chr	SNA	1
1-24-16	6		DJ60-00046B	CONNECTOR BRUSH; PC,VS9000RL,DARK CHROMET	SNA	1
1-24-17	6	RL018	DJ97-02639A	ASSY HOSE; VS9000RL,GRAY,L110,DOM,SOFT, T	SNA	1
1-24-17-1	7	RL101	DJ67-00838A	HOSE WIRE; VS9000NL,TPU,ID31,OD34.8,L95,B	SNA	1

No.	Lvl.	Loc.	Material Code	Description & Specification	SNA	Qty.
1-24-17-2	7		DJ60-00056A	CONNECTOR HOSE; PP,VS9000RL,NATURAL,BJ750	SNA	2
1-24-17-3	7		DJ73-20100A	SEAL-PIPE; VC-8500,NBR,BLK	SNA	1
1-25	5		DJ68-00816A	LABEL RATING; VS9000RL,PET,W20.5,L15,VCA-	SNA	1
1-26	5		DJ94-00888A	ASSY MOTOR PARTS; VS9000RL,RS395,SOFT ACT	SA	1
1-26-1	6	RJ077	DJ31-00148C	MOTOR DC; RS395-ST-2170,7038,18.0V,0.70,2	SNA	1
1-26-2	6		DJ63-01191A	CUSHION-MOTOR DRUM; VC-RM84V,TPEE,5252SP,	SNA	1
1-26-3	6		DJ66-00595A	PULLEY MOTOR-DRUM; AUTOBOT,SMF5030,BELT-T	SNA	1
1-26-4	6		DJ92-00184A	ASSY MODULE; BRUSH MOTOR,VS9000RL,GREEN,S	SNA	2
2	4		DJ97-02612D	ASSY DRUM BRUSH; VS9000RL,Improve grain s	SA	1
2-1	5	RV005	6003-000170	SCREW-TAPTTYPE; PH,+,B,M4,L12,ZPC(WHT),SWR	SNA	1
2-2	5	RV005	6003-001615	SCREW-TAPTTYPE; PWH,+,B,M4,L16,ZPC(WHT),SW	SNA	1
2-3	5		6601-002678	BEARING BALL; 608ZZ Z3V3,ID8,OD22,L7,ZZ (	SA	1
2-4	5		DJ61-02488A	GUIDE ETC; VS8000ML,ABS,L202.6,HB,GP-35,E	SNA	1
2-5	5		DJ61-70001P	SPRING ETC-PUSH; JAZZ-PJT,SUS,CD0.7,ID6.1	SNA	1
2-6	5		DJ64-01328B	BUTTON BRUSH; VS9000RL,PC,V-2,DARK CHROME	SA	1
2-7	5		DJ61-02532A	GUIDE DRUM; VS8000ML,PC,L12.9,D46.5,V-2,3	SNA	1
2-8	5		DJ61-02531A	HOLDER-DRUM; VS8000ML,PC,L14.9,D46.1,BLAC	SNA	1
2-9	5		DJ61-02530D	HOLDER BUTTON; VS9000RL,ABS,L115.2,DARK C	SNA	1
2-10	5		DJ67-00824B	CAP BODY; VS9000RL,PC,V-2,3022R,DARK CHRO	SNA	1
2-11	5		DJ66-00817B	DRUM BRUSH; VS9000RL,AI,AL+PA / SOFT ACTI	SA	1
2-12	5		DJ60-00051A	SPACER BRUSH; VS8000ML,WOOL,L85,W5,SOFT A	SNA	1

# 9. Mini Turbo Brush

## Mini Turbo Brush

### Exploded View



## Parts List

No.	Lvl.	Loc.	Material Code	Description & Specification	SNA	Qty.
0	3		DJ97-02636A	ASSY BRUSH; VS9000RL,DOM,MINI BRUSH	SA	1
1	4		6602-002831	BELT-TIMING GEAR; 2M-130-6,NBR,T1.36,BLK	SNA	1
2	4	RV005	6002-000630	SCREW-TAPPING; PH,+,2S,M3,L8,ZPC(WHT),SWR	SNA	1
3	4	RV005	6003-000170	SCREW-TAPTYPE; PH,+,B,M4,L12,ZPC(WHT),SWR	SNA	6
4	4		DJ39-00283A	WIRE HARNESS-MOTOR; 2P,BRUSH(MINI TURBO),	SNA	1
5	4		DJ60-00032A	SPACER BRUSH; TB-700,WOOL,L135,T2,AIR BOR	SNA	1
6	4		DJ60-00038A	SPACER BRUSH; TB-700,WOOL,L19.4,T2,AIRBOR	SNA	2
7	4		DJ61-00584A	SPRING ETC-CAP; VC-MBM940,HSWR,CD0.7,OD7.	SA	1
8	4		DJ61-02484B	BODY BRUSH; VS9000RL,ABS,DARK CHROMETAL,M	SA	1
9	4		DJ61-02485A	CASE DRUM; VS8000ML,PC,GRAY TR-P,SR1000,M	SNA	1
10	4		DJ61-02486A	GUIDE AIR; VS8000ML,PP,Length,Diameter,HB	SNA	1
11	4		DJ61-02551A	HOLDER TERMINAL; VS9000NL,PC,L30,EBONY BL	SNA	1
12	4		DJ61-02566A	HOLDER WIRE; VS9000RL,PC,L93.6,Dark ChroM	SA	1
13	4		DJ62-00461A	PIPE CONNECTOR; VS9000RL,PC,DARK CHROMETA	SNA	1
14	4		DJ63-00604A	COVER-DRUM; UPRIGHT,POM,BISSELL,BLACK,K30	SA	2
15	4		DJ63-01605B	COVER BRUSH; VS9000RL,ABS,HB,Dark ChroMet	SNA	1
16	4	RA051	DJ63-01651A	COVER TERMINAL; VS9000NL,PC,V-0,EBONY BLA	SNA	1
17	4		DJ63-01628A	GASKET ETC; VS8000ML,EVA FOAM,W5,L52,MINI	SNA	1
18	4		DJ64-01331A	DECORATION COVER; VS8000ML,ABS,AIRBORNE,S	SNA	1
19	4		DJ64-01348A	KNOB PIPE; VS9000RL,PC,Dark ChroMetal,M30	SA	1
20	4		DJ67-00828A	CAP KNOB; VS9000RL,PC,V-2,M3020PN,Dark Ch	SA	1
21	4		DJ66-00823A	LEVER RELEASE; VS9000NL,PC,3022R,GRAY TR-	SNA	1
22	4		DJ67-00807B	CAP BODY; VS9000RL,ABS,HB,LU637,DARK CHRO	SNA	1
23	4		DJ67-00808B	CAP AIR; VS9000RL,ABS,HB,LU637,DARK CHROM	SNA	1

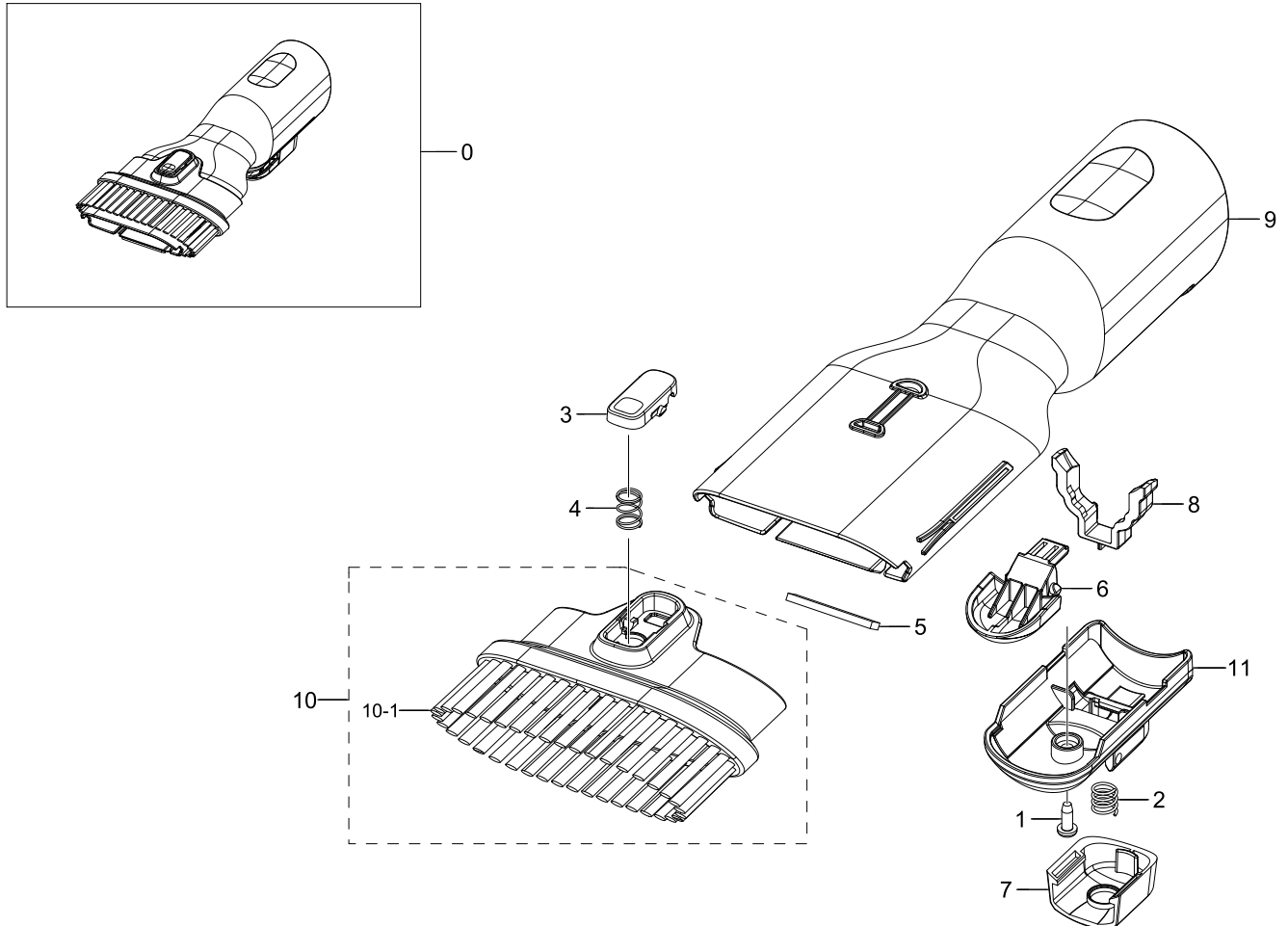
Exploded Views and Parts List

No.	Lvl.	Loc.	Material Code	Description & Specification	SNA	Qty.
24	4		DJ97-02574B	ASSY DRUM BRUSH; VS9000RL,L126.4,AQUA GRE	SA	1
24-1	5		DJ61-02345C	HOLDER-DRUM; VS9000RL,PP+TD30%,L5,AQUA GR	SNA	1
24-2	5		DJ62-00418B	NOZZLE DRUM; VS8000ML,NBR,BLACK	SNA	3
24-3	5		DJ66-00206B	SHAFT DRUM; UPRIGHT,SM20C,L29,OD4.95,NATU	SNA	2
24-4	5		DJ66-00749C	DRUM BRUSH; VS9000RL,PP+TD30%,PTN960,AQUA	SNA	1
25	4		DJ94-00891A	ASSY MOTOR PARTS; VS9000RL,RS390,MINI BRU	SNA	1
25-1	5	RJ077	DJ31-00148C	MOTOR DC; RS395-ST-2170,7038,18.0V,0.70,2	SNA	1
25-2	5		DJ92-00184A	ASSY MODULE; BRUSH MOTOR,VS9000RL,GREEN,S	SNA	1
25-3	5	RV005	6006-000112	SCREW-MACHINE; PH,+,WS,M2.6,L8,ZPC(WHT),S	SNA	1
25-4	5		DJ61-02498A	HOLDER MOTOR; VS8000ML,ABS,EBONY BLACK,HB	SNA	1

# 10. Combination Tool

## Combination Tool

### Exploded View



### Parts List

No.	Lvl.	Loc.	Material Code	Description & Specification	SNA	Qty.
0	3	RA002	DJ98-01129A	ASSY ACCESSORY DUSTING; VS9000RL,DUSTING,	SA	1
1	4	RV005	6002-000630	SCREW-TAPPING; PH,+,2S,M3,L8,ZPC(WHT),SWR	SNA	1
2	4		DJ61-00584A	SPRING ETC-CAP; VC-MBM940,HSWR,CD0.7,OD7.	SA	1
3	4		DJ64-01333B	BUTTON PUSH; VS9000RL,PC,HB,DARK CHROMETA	SA	1
4	4		DJ61-02508A	SPRING ETC COIL; VS8000ML,HSWR,CD0.5,ID6.	SA	1
5	4		DJ60-00057A	SPACER BRUSH; VS9000RL,WOOL,L26.5,T2,W5,R	SNA	1
6	4		DJ64-01348A	KNOB PIPE; VS9000RL,PC,Dark ChroMetal,M30	SA	1

## Exploded Views and Parts List

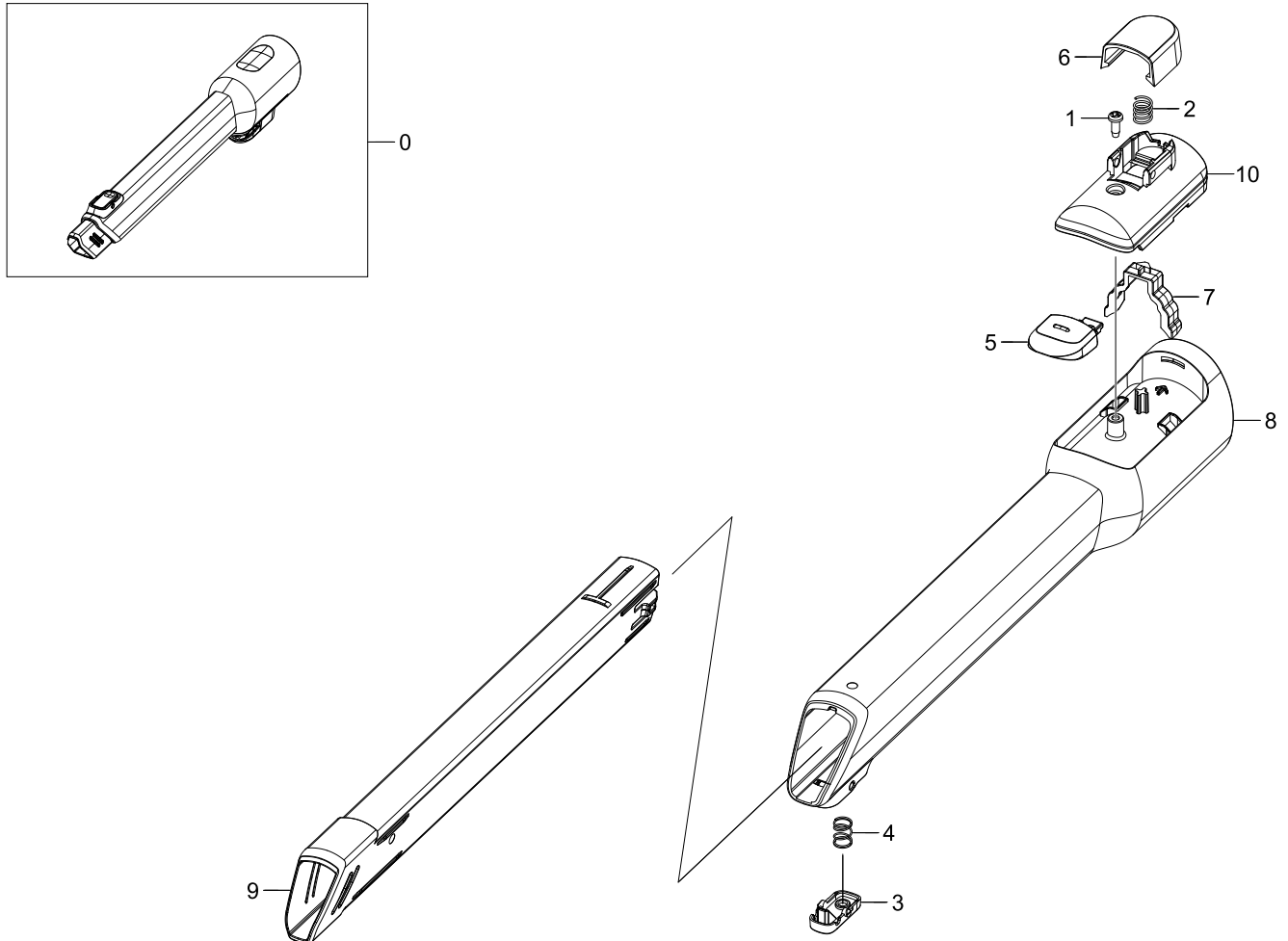
No.	Lvl.	Loc.	Material Code	Description & Specification	SNA	Qty.
7	4		DJ67-00828A	CAP KNOB; VS9000RL,PC,V-2,M3020PN,Dark Ch	SA	1
8	4		DJ66-00823A	LEVER RELEASE; VS9000NL,PC,3022R,GRAY TR-	SNA	1
9	4		DJ62-00454A	PIPE CONNECTOR; VS9000RL,ABS,ID35,DARK CH	SNA	1
10	4	RA036	DJ67-00827A	BRUSH DUSTING; VS9000RL,ABS,COMBINATION T	SNA	1
10-1	5		DJ62-00371H	NOZZLE BRUSH; VS9000RL,PA,T0.15,L28,BLACK	SNA	6
11	4		DJ63-01644A	COVER HOLDER; VS9000RL,ABS,W33.6,L64.4,HB	SNA	1



# 11. Crevice Tool

## Crevice Tool

### Exploded View



### Parts List

No.	Lvl.	Loc.	Material Code	Description & Specification	SNA	Qty.
0	3	RA001	DJ98-01130A	ASSY ACCESSORY CREVICE; VS9000RL,CREVICE,	SA	1
1	4	RV005	6002-000630	SCREW-TAPPING; PH,+,2S,M3,L8,ZPC(WHT),SWR	SNA	1
2	4		DJ61-00584A	SPRING ETC-CAP; VC-MBM940,HSWR,CD0.7,OD7.	SA	1
3	4		DJ64-01333B	BUTTON PUSH; VS9000RL,PC,HB,DARK CHROMETA	SA	1
4	4		DJ61-02508A	SPRING ETC COIL; VS8000ML,HSWR,CD0.5,ID6.	SA	1
5	4		DJ64-01348A	KNOB PIPE; VS9000RL,PC,Dark ChroMetal,M30	SA	1
6	4		DJ67-00828A	CAP KNOB; VS9000RL,PC,V-2,M3020PN,Dark Ch	SA	1

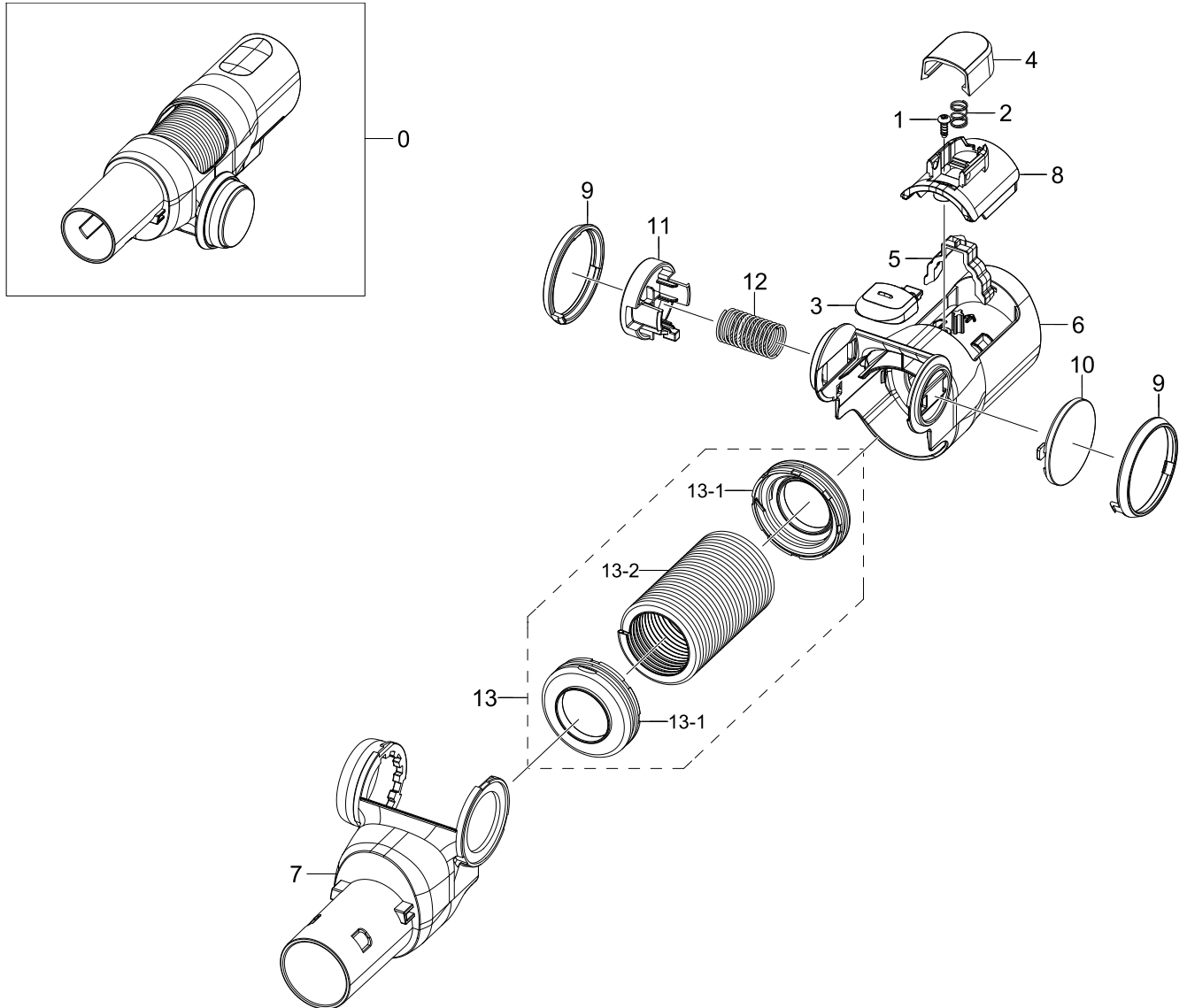
Exploded Views and Parts List

No.	Lvl.	Loc.	Material Code	Description & Specification	SNA	Qty.
7	4		DJ66-00823A	LEVER RELEASE; VS9000NL,PC,3022R,GRAY TR-	SNA	1
8	4		DJ62-00455A	PIPE CONNECTOR; VS9000RL,ABS,ID35.1,L276,	SNA	1
9	4	RA078	DJ62-00456A	PIPE CREVICE; VS9000RL,ABS,L241.8,WARM SI	SNA	1
10	4		DJ63-01644A	COVER HOLDER; VS9000RL,ABS,W33.6,L64.4,HB	SNA	1

# 12. Multi Direction Tool

## Multi Direction Tool

### Exploded View



### Parts List

No.	Lvl.	Loc.	Material Code	Description & Specification	SNA	Qty.
0	3		DJ98-01131A	ASSY ACCESSORY; VS9000RL,MULTI-DIRECTION,	SA	1
1	4	RV005	6002-000630	SCREW-TAPPING; PH,+,2S,M3,L8,ZPC(WHT),SWR	SNA	1
2	4		DJ61-00584A	SPRING ETC-CAP; VC-MBM940,HSWR,CD0.7,OD7.	SA	1
3	4		DJ64-01348A	KNOB PIPE; VS9000RL,PC,Dark ChroMetal,M30	SA	1
4	4		DJ67-00828A	CAP KNOB; VS9000RL,PC,V-2,M3020PN,Dark Ch	SA	1

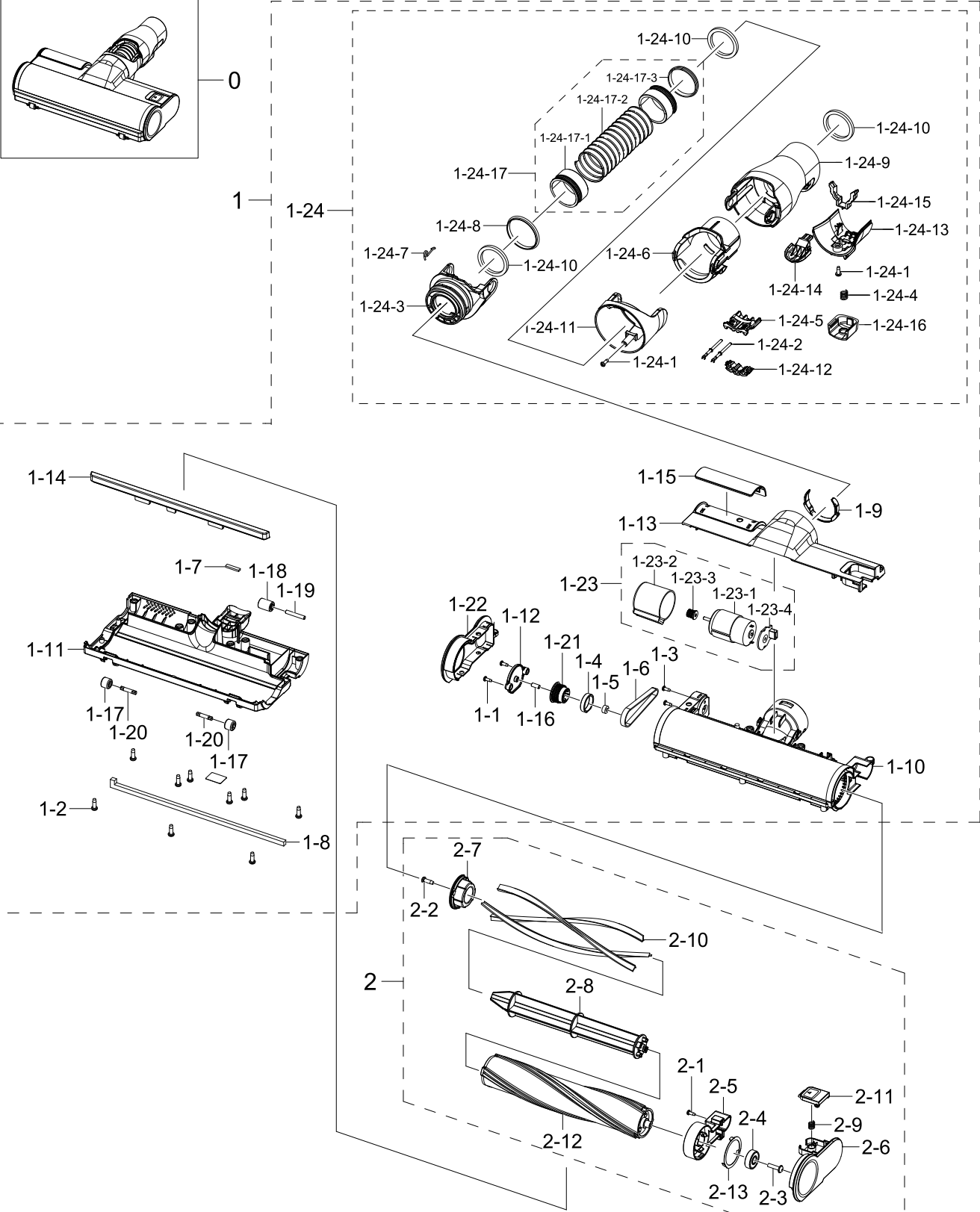
## Exploded Views and Parts List

No.	Lvl.	Loc.	Material Code	Description & Specification	SNA	Qty.
5	4		DJ66-00823A	LEVER RELEASE; VS9000NL,PC,3022R,GRAY TR-	SNA	1
7	4		DJ60-00054A	CONNECTOR BRUSH; ABS,VS9000RL,DARK CHROME	SNA	1
8	4		DJ63-01645A	COVER HOLDER; VS9000RL,ABS,W34.6,L40.85,H	SA	1
9	4		DJ67-00810B	CAP ETC; VS9000RL,ABS,HB,ML687,WARM SILVE	SNA	2
10	4		DJ67-00809B	CAP HINGE; VS9000RL,ABS,HB,LU637,DARK CHR	SA	1
11	4		DJ64-01332B	BUTTON PUSH; VS9000RL,PC,V-2,DARK CHROMET	SNA	1
12	4		DJ61-70179A	SPRING ETC COIL; HSWR,PI0.9,ID13,L25,8,BL	SNA	1
13	4	RL018	DJ97-02571A	ASSY HOSE; VS8000ML,DUAL, ONE, MULTI	SA	1
13-1	5		DJ60-00044A	CONNECTOR HOSE; ABS,VS8000ML,EBONY BLACK,	SNA	2
13-2	5	RL101	DJ67-00520F	HOSE WIRE; VS8000ML,PVC,29,39,60,BLACK,24	SNA	1

# 13. Carpet Brush

## Carpet Brush

### Exploded View



**Parts List**

No.	Lvl.	Loc.	Material Code	Description & Specification	SNA	Qty.
0	3		DJ97-02635D	ASSY BRUSH; VS9000RL,TURBO ACTION BRUSH,E	SA	1
1	4		DJ97-02852A	ASSY BODY BRUSH; VS9000RL,DARK CHROMETAL,	SA	1
1-1	5	RV005	6002-000630	SCREW-TAPPING; PH,+,2S,M3,L8,ZPC(WHT),SWR	SNA	2
1-2	5	RV005	6003-000170	SCREW-TAPTYPE; PH,+,B,M4,L12,ZPC(WHT),SWR	SNA	9
1-3	5	RV005	6006-000130	SCREW-MACHINE; PH,+,WS,M3,L8,ZPC(WHT),SWR	SNA	2
1-4	5		6601-003318	BEARING OILLESS; SBF4118,L5.1,OD22.2,ID18	SNA	1
1-5	5		6601-003453	BEARING BALL; 684ZZMC3,ID4,OD9,L4,STB2,68	SNA	1
1-6	5		6602-003994	BELT-TIMING GEAR; 2M-170-6,NBR,T1.38,W6,L	SNA	1
1-7	5		DJ60-00040A	SPACER BRUSH; VS6000KL,WOOL,L18,PORSCHE R	SNA	3
1-8	5		DJ60-00050A	SPACER BRUSH; VS8000ML,WOOL,L245,W5,80K,	SNA	1
1-9	5		DJ61-02533A	GUIDE KEY; VS8000ML,POM,L38.4,K300,NATURA	SNA	1
1-10	5		DJ61-02538A	CASE DRUM; VS8000ML,PC,GRAY TR-P,SR1000,C	SNA	1
1-11	5		DJ61-02539B	BODY BRUSH; VS9000RL,PC,BLACK,TURBO ACTIO	SA	1
1-12	5		DJ63-01604A	COVER GEAR BOX; VS8000ML,PC,V-2,BLACK,302	SNA	1
1-13	5		DJ63-01639B	COVER BRUSH; VS9000RL,ABS,HB,Dark ChroMet	SNA	1
1-14	5		DJ63-01640A	BAND BRUSH; VS8000ML,TPEE,BLACK,CARPET BR	SNA	1
1-15	5		DJ64-01330C	DECORATION COVER; VS8000ML,ABS,Airborne,A	SNA	1
1-16	5		DJ66-00549C	SHAFT ETC; VS8000ML,STS304,9.5,4.0,GEAR B	SNA	1
1-17	5		DJ66-00806A	ROLLER; VS9000RL,NBR,OD12,DARK CHROMETAL,	SA	2
1-18	5		DJ66-00813A	ROLLER-OUT; VS8000ML,TPEE,OD12,BLACK	SA	1
1-19	5	RP294	DJ70-30110A	SHAFT ROLLER-B; VC-DOM,MSWR,L26,OD3.9,ZPC	SA	1
1-20	5		DJ66-00836A	SHAFT ROLLER; VS9000RL,MSWR,L20.4,OD3.9,D	SA	2

No.	Lvl.	Loc.	Material Code	Description & Specification	SNA	Qty.
1-21	5		DJ66-00820A	PULLEY DRUM; VS8000ML,POM,NATURAL,K300	SNA	1
1-22	5		DJ67-00806B	CAP CASE; VS9000RL,ABS,HB,LU637,DARK CHRO	SNA	1
1-23	5		DJ94-00889A	ASSY MOTOR PARTS; VS9000RL,RS445,TURBO AC	SNA	1
1-23-1	6	RJ077	DJ31-00168A	MOTOR DC; RS445-ST-2670,7652rpm,18.0V,1.1	SNA	1
1-23-2	6		DJ63-01602A	CUSHION MOTOR; VS8000M,TPEE,T1.2,W37,L36.	SNA	1
1-23-3	6		DJ66-00832A	PULLEY TURBINE; VS9000RL,SMF5030,Type 15-	SNA	1
1-23-4	6		DJ92-00184A	ASSY MODULE; BRUSH MOTOR,VS9000RL,GREEN,S	SNA	1
1-24	5		DJ97-02661A	ASSY PIPE C/BRUSH; VS9000RL,PC,DOM,L148.3	SNA	1
1-24-1	6	RV005	6002-000630	SCREW-TAPPING; PH,+,2S,M3,L8,ZPC(WHT),SWR	SNA	2
1-24-2	6		DJ39-00285A	WIRE HARNESS-MOTOR; 2P,BRUSH(TURBO ACTION	SNA	1
1-24-3	6		DJ60-00046B	CONNECTOR BRUSH; PC,VS9000RL,DARK CHROMET	SNA	1
1-24-4	6		DJ61-00584A	SPRING ETC-CAP; VC-MBM940,HSWR,CD0.7,OD7.	SA	1
1-24-5	6		DJ61-02551A	HOLDER TERMINAL; VS9000NL,PC,L30,EBONY BL	SNA	1
1-24-6	6		DJ61-02565A	HOLDER ETC; VS9000RL,PC,L76.3,DARK CHROME	SNA	1
1-24-7	6		DJ61-02592A	SPRING ETC; VS9000RL,HSWR,1.2mm,ID3.2,OD5	SNA	1
1-24-8	6		DJ62-00300A	SEAL-C/PIPE; NB-810,NBR,BLACK,T0.6,HARDNE	SNA	1
1-24-9	6		DJ62-00460A	PIPE CONNECTOR; VS9000RL,PC,DARK CHROMETA	SNA	1
1-24-10	6		DJ63-01618A	GASKET ETC; VS8000ML,EPDM,BLACK,PET FILM,	SNA	2
1-24-11	6		DJ63-01635B	COVER CONNECTOR; VS9000RL,PC,V-2,Dark Chr	SNA	1
1-24-12	6	RA051	DJ63-01651A	COVER TERMINAL; VS9000NL,PC,V-0,EBONY BLA	SNA	1
1-24-13	6		DJ63-01662A	COVER HOLDER; VS9000RL,PC,V-2,Dark ChroMe	SNA	1
1-24-14	6		DJ64-01348A	KNOB PIPE; VS9000RL,PC,Dark ChroMetal,M30	SA	1
1-24-15	6		DJ66-00823A	LEVER RELEASE; VS9000NL,PC,3022R,GRAY TR-	SNA	1
1-24-16	6		DJ67-00828A	CAP KNOB; VS9000RL,PC,V-2,M3020PN,Dark Ch	SA	1

## Exploded Views and Parts List

No.	Lvl.	Loc.	Material Code	Description & Specification	SNA	Qty.
1-24-17	6	RL018	DJ97-02639A	ASSY HOSE; VS9000RL,GRAY,L110,DOM,SOFT, T	SNA	1
1-24-17-1	7		DJ60-00056A	CONNECTOR HOSE; PP,VS9000RL,NATURAL,BJ750	SNA	2
1-24-17-2	7	RL101	DJ67-00838A	HOSE WIRE; VS9000NL,TPU,ID31,OD34.8,L95,B	SNA	1
1-24-17-3	7		DJ73-20100A	SEAL-PIPE; VC-8500,NBR,BLK	SNA	1
2	4		DJ97-02640A	ASSY DRUM BRUSH; VS9000RL,L231.8,W SILVER	SA	1
2-1	5	RV005	6002-000630	SCREW-TAPPING; PH,+,2S,M3,L8,ZPC(WHT),SWR	SNA	1
2-2	5	RV005	6003-000170	SCREW-TAPTYPE; PH,+,B,M4,L12,ZPC(WHT),SWR	SNA	1
2-3	5	RV005	6003-001615	SCREW-TAPTYPE; PWH,+,B,M4,L16,ZPC(WHT),SW	SNA	1
2-4	5		6601-002678	BEARING BALL; 608ZZ Z3V3,ID8,OD22,L7,ZZ (	SA	1
2-5	5		DJ61-02481A	GUIDE DRUM; VS8000ML,ABS,HB,HG-0760GP,EBO	SNA	1
2-6	5		DJ61-02482B	HOLDER BUTTON; VS9000RL,ABS,L108.8,DARK C	SNA	1
2-7	5		DJ61-02483A	HOLDER-DRUM; VS8000ML,PC,BLACK,V-2,3022R,	SNA	1
2-8	5		DJ61-02488A	GUIDE ETC; VS8000ML,ABS,L202.6,HB,GP-35,E	SNA	1
2-9	5		DJ61-70001P	SPRING ETC-PUSH; JAZZ-PJT,SUS,CD0.7,ID6.1	SNA	1
2-10	5		DJ62-00430E	NOZZLE DRUM; VS9000RL,PA,T6.1,W5,L233,Nat	SNA	3
2-11	5		DJ64-01328B	BUTTON BRUSH; VS9000RL,PC,V-2,DARK CHROME	SA	1
2-12	5		DJ66-00799B	DRUM BRUSH; VS9000RL,ABS,LU637,WARM SILVE	SNA	1
2-13	5		DJ67-00840A	CAP ETC; VS9000RL,STS430J1L,T0.4,W38.65,L	SNA	1