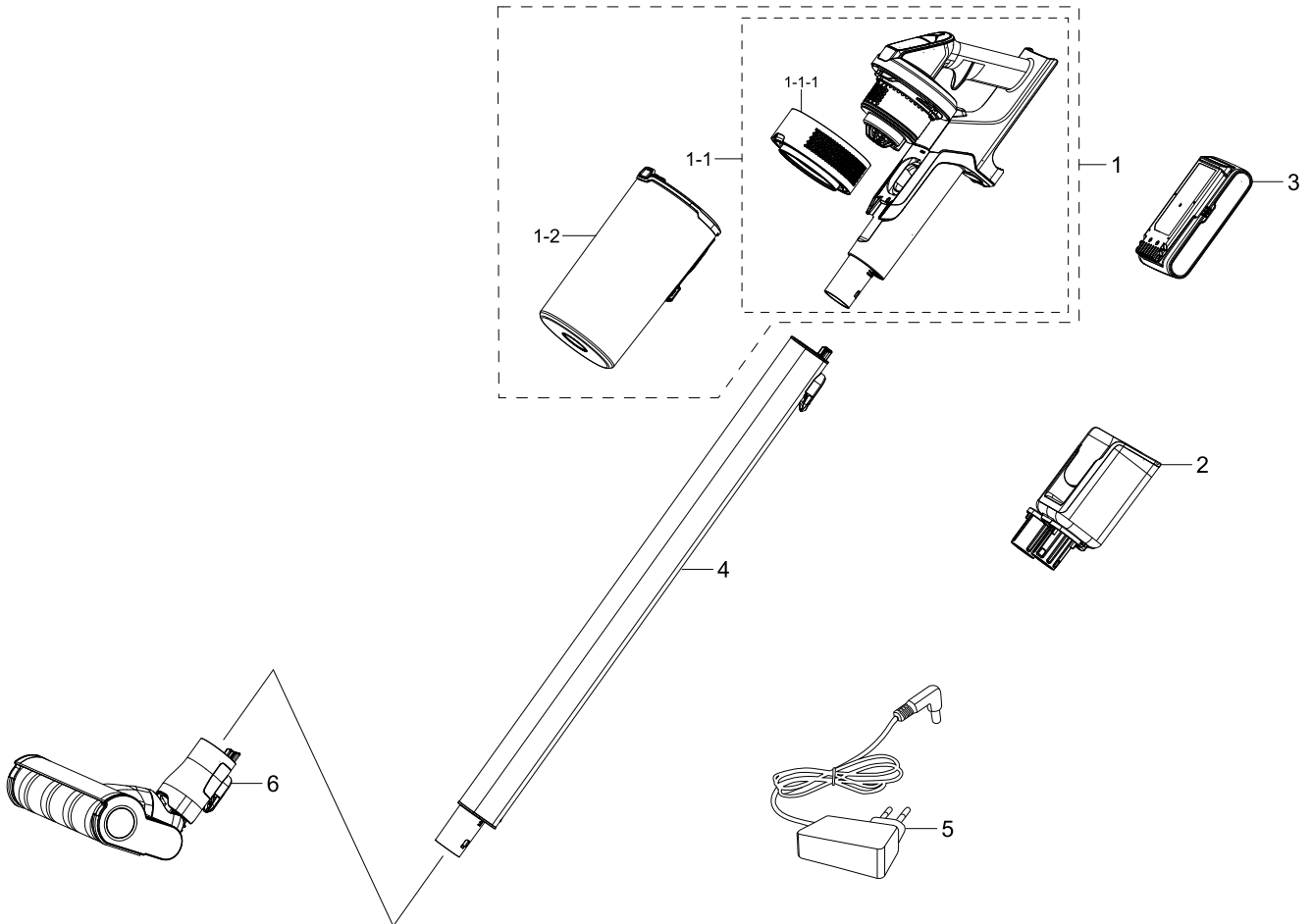


1. VS20B7512N7/BG 0001

VS20B7512N7/BG 0001

Exploded View



Parts List

No.	Lvl.	Loc.	Material Code	Description & Specification	SNA	Qty.
1	1		DJ97-02853Q	ASSY HANDY; VS7500T,ASSY HANDY,Titan Chro	SNA	1
1-1	2	RB001	DJ97-03142S	ASSY BODY; VS7500T,Dark Chrometal,HEPA,Te	SNA	1
1-1-1	3	RB037	DJ97-02641D	ASSY GRILLE BACK; VS9200TL,ROSE GOLD,PTFE	SA	1
1-2	2		DJ97-02835C	ASSY CYCLONE; VS9000RL,Titan ChroMetal,EX	SA	1
2	2	RA014	DJ96-00231A	ASSY CHARGER; VS7000TL,Dark chrometal	SA	1
3	2		DJ96-00227C	ASSY BATTERY LI IB; Li-ion,21.6V,1800mAh,	SA	1
4	2		DJ97-02823A	ASSY PIPE; VS7000TL,AL,BUCKLE,DARK TITAN,	SA	1

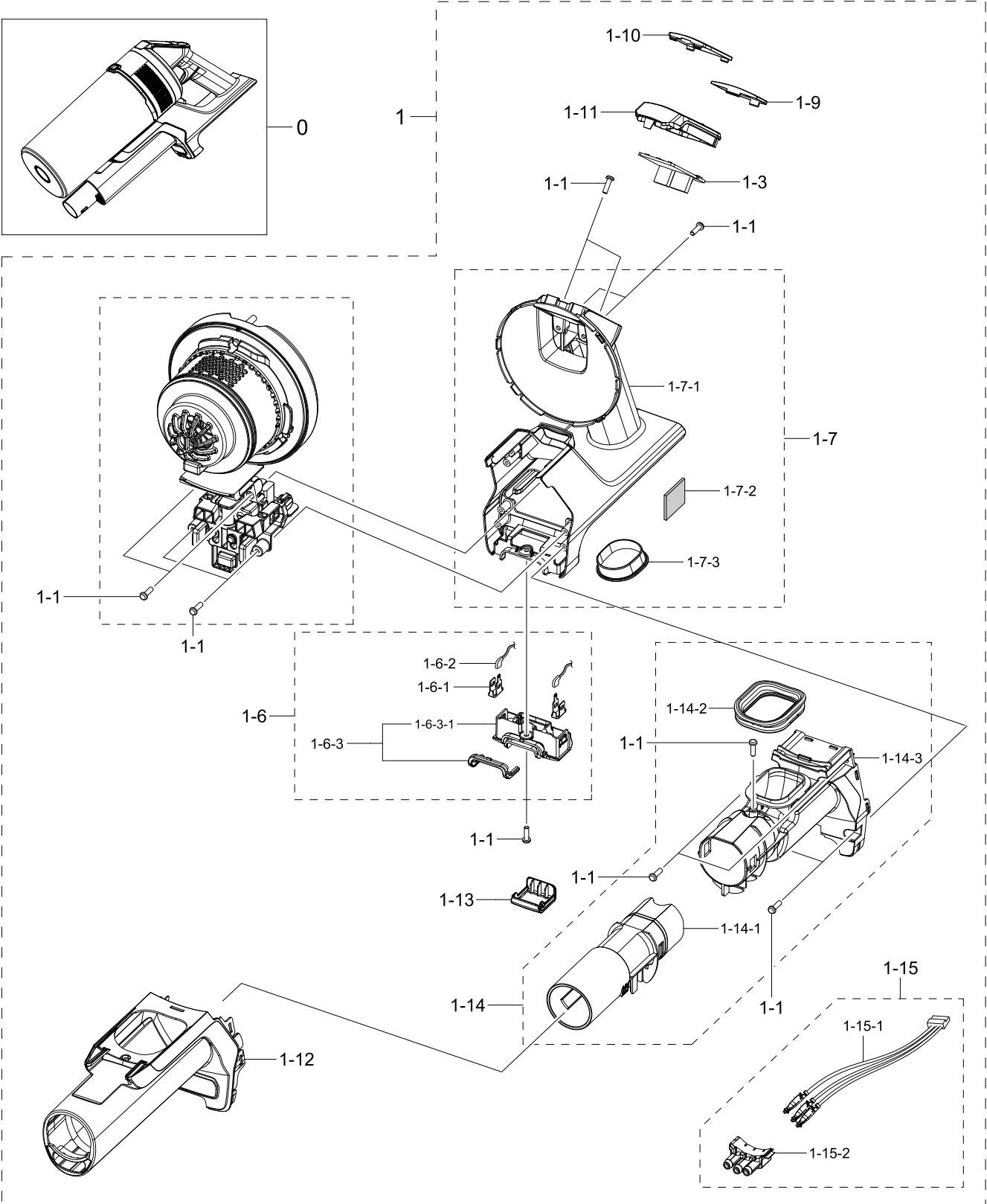
Exploded Views and Parts List

No.	Lvl.	Loc.	Material Code	Description & Specification	SNA	Qty.
5	2		DJ44-00007K	ADAPTOR; DC25.85V,1.2A,AC100-240V,30W,0to	SA	1
6	2		DJ97-02635D	ASSY BRUSH; VS9000RL,TURBO ACTION BRUSH,E	SA	1

2. Assy Handy

Assy Handy

Exploded View



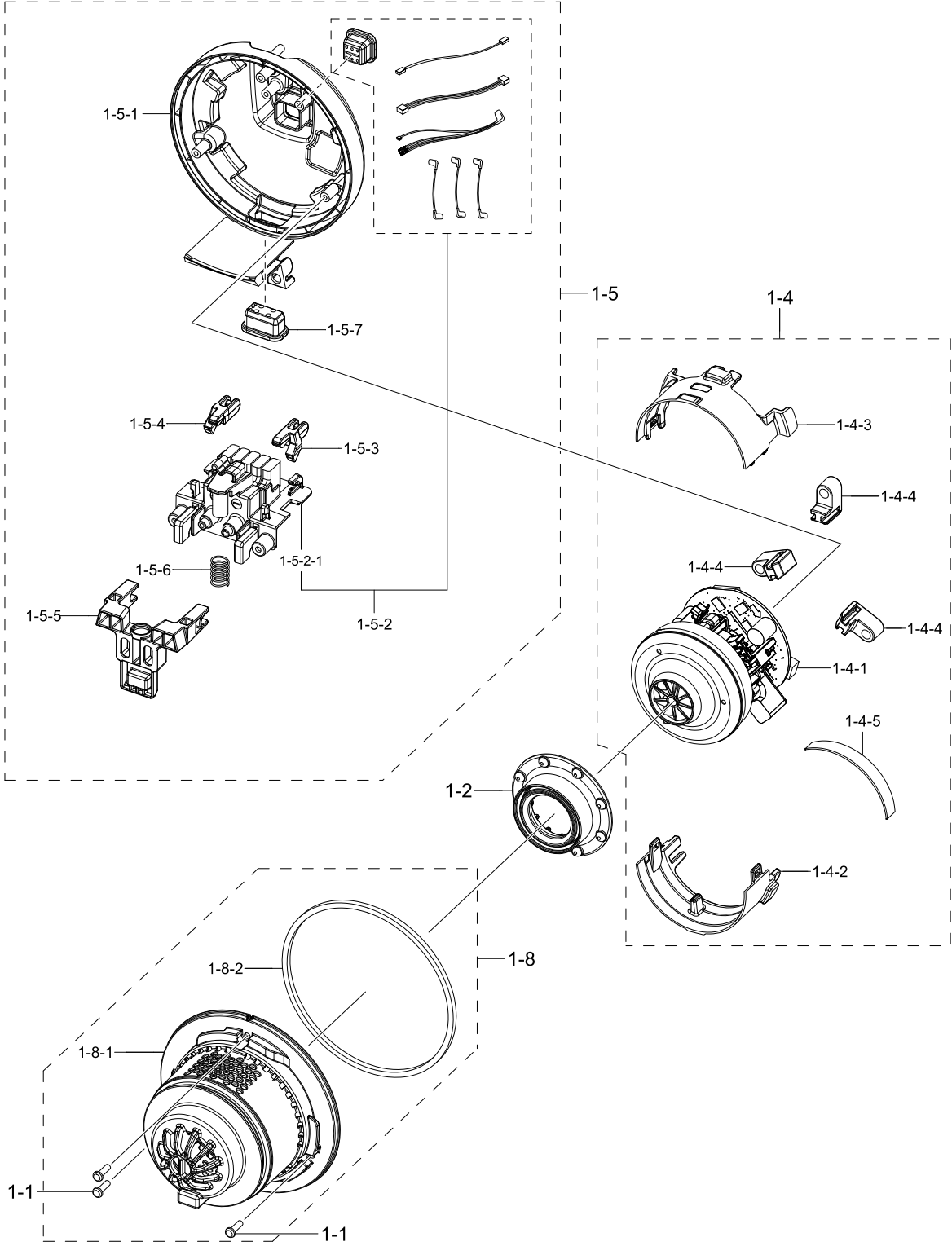
Parts List

No.	Lvl.	Loc.	Material Code	Description & Specification	SNA	Qty.
0	2	RB001	DJ97-03142S	ASSY BODY; VS7500T,Dark Chrometal,HEPA,Te	SNA	1
1	3	RB001	DJ97-02944E	ASSY BODY; VS7500T,Dark Chrometal,HEPA,3	SNA	1
1-1	4	RV005	6003-000159	SCREW-TAPTYPE; PH,+,B,M3,L10,ZPC(BLK),SWR	SNA	14
1-3	4		DJ92-00178A	ASSY MODULE; SUB,VS9000RL,3-Button, LED D	SA	1
1-6	4		DJ97-02644A	ASSY HOLDER; VS9000RL,CHARGING	SA	1
1-6-1	5		DJ37-00016A	TERMINAL; T0.5	SNA	2
1-6-2	5		DJ39-00284A	WIRE HARNESS-TERMINAL; 1P,CHARGER,UL3398,	SNA	2
1-6-3	5		DJ63-01654A	CUSHION ETC; VS9000NL,TPE,W31.4,L9.5,OR30	SNA	1
1-6-3-1	6		DJ61-02558A	HOLDER ETC; VS9000NL,PC,L25.3,DARK CHROME	SNA	1
1-7	4	RB034	DJ97-02794C	ASSY FRAME; VS9200E,DARK CHROMETAL	SA	1
1-7-1	5		DJ61-02617C	FRAME; VS9200E,PC,DARK CHROMETAL,W97,M302	SNA	1
1-7-2	5		DJ63-01680A	FILTER SAFETY; VS9000RL,T5,W30,L40,EBONY	SA	1
1-7-3	5		DJ67-00831A	CAP ETC; VS9000RL,PC,M3020PN,DARK CHROMET	SNA	1
1-9	4	RB013	DJ97-02678C	ASSY BUTTON; VS7500T,Jet(3sec)	SNA	1
1-10	4	RB025	DJ97-02679B	ASSY COVER DISPLAY; VS9000RL,INLAY,EXP	SA	1
1-11	4	RB188	DJ64-01353A	PANEL CONTROL; VS9000NL,ABS,GP-35,NEUTRAL	SA	1
1-12	4		DJ61-02553E	FRAME FRONT; VS9200TL,ABS,NEAT WHITE,T1.2	SA	1
1-13	4		DJ64-01350A	BUTTON PUSH; VS9000NL,PC,DARK CHROMETAL	SA	1
1-14	4	RB033	DJ97-02643A	ASSY DUCT INLET; VS9000RL	SA	1
1-14-1	5		DJ62-00459A	PIPE CONNECTOR; VS9000RL,PC,ID30,OD33.8,G	SNA	1
1-14-2	5		DJ63-01653A	GASKET DUCT; VS9000NL,TPV,TPV-45VSH-45A,T	SA	1
1-14-3	5		DJ67-00832A	DUCT INLET; VS9000NL,PC+ABS,HI-1050,EBONY	SNA	1
1-15	4		DJ97-02671A	ASSY HOLDER; VS9000RL,PIPE-HANDY	SA	1
1-15-1	5		DJ39-00293A	WIRE HARNESS-TERMINAL; 3P,Pipe,UL3398,#22	SNA	1
1-15-2	5		DJ61-02555A	HOLDER TERMINAL; VS9000RL,PC,L25.5,EBONY	SNA	1

3. Assy Handy_Assy Motor Parts

Assy Handy_Assy Motor Parts

Exploded View



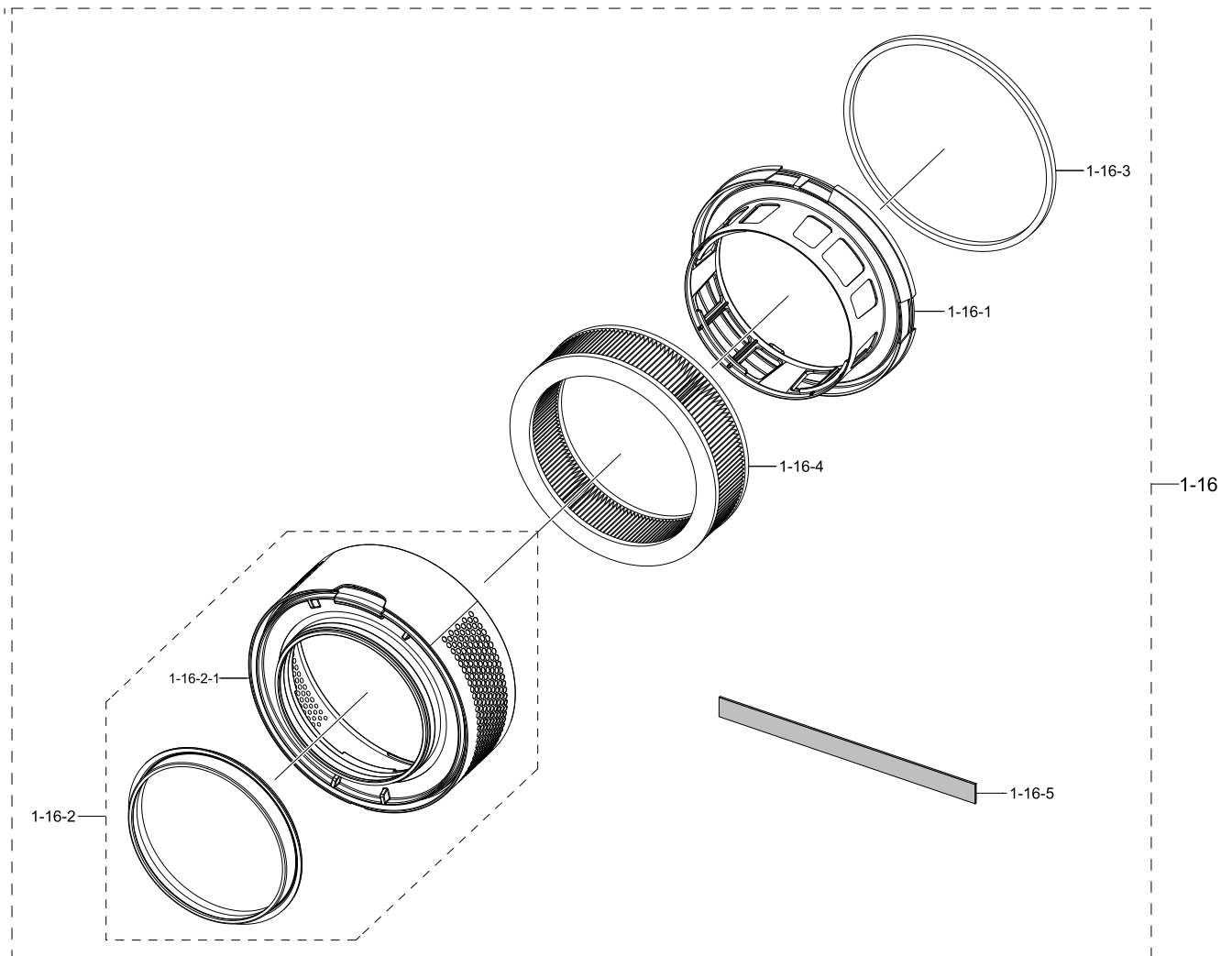
Parts List

No.	Lvl.	Loc.	Material Code	Description & Specification	SNA	Qty.
1-1	4	RV005	6003-000159	SCREW-TAPTYPE; PH,+,B,M3,L10,ZPC(BLK),SWR	SNA	14
1-2	4		DJ63-01659A	CUSHION MOTOR; VS9000NL,NBR,EBONY BLACK,F	SA	1
1-4	4		DJ94-00892D	ASSY MOTOR PARTS; VS9200E,SAMSUNG,550CLDB	SNA	1
1-4-1	5		DJ31-00164C	MOTOR BLDC FAN; SGEC,110krpm,21.6V,25A,55	SA	1
1-4-2	5		DJ61-02604A	HOLDER MOTOR; VS9000RL,PP+TD20%,-,L37,DAR	SA	1
1-4-3	5		DJ61-02605A	HOLDER MOTOR; VS9000RL,PP+TD20%,-,L42,DAR	SA	1
1-4-4	5		DJ63-01683A	CUSHION ETC; VS9000RL,NBR,W9.2,L16,EBONY	SA	3
1-4-5	5		DJ63-01686A	GASKET ETC; VS9000RL,EPDM FOAM,T1,W15,L20	SA	1
1-5	4		DJ97-02642A	ASSY HOLDER TERMINAL; VS9000RL	SA	1
1-5-1	5		DJ64-01351A	DECORATION COVER; VS9000NL,ABS,NEUTRAL GR	SNA	1
1-5-2	5	RJ189	DJ39-00290A	WIRE HARNESS-STICK; 5P,UL3398,#14,VS9000R	SNA	1
1-5-2-1	6		DJ61-02567A	HOLDER TERMINAL; VS9000NL,PK+GF5%,L52,BLA	SNA	1
1-5-3	5		DJ66-00825A	LEVER RELEASE; VS9000NL,ABS,HG-0760GP,EBO	SNA	1
1-5-4	5		DJ66-00824A	LEVER RELEASE; VS9000NL,ABS,HG-0760GP,EBO	SNA	1
1-5-5	5		DJ61-02557A	GUIDE LINK; VS9000NL,ABS,L32.5,HB,GP-35,N	SNA	1
1-5-6	5	RP302	DJ61-01350A	SPRING ETC-BUTTON; SU9380,HSWR,COD0.6,ID6	SA	1
1-5-7	5		DJ63-01647A	GASKET WIRE; VS9000NL,NBR,T2.5,BATTERY	SNA	1
1-8	4	RJ004	DJ97-02670B	ASSY CASE MOTOR F; VS9000,BLACK,No,NO GAS	SA	1
1-8-1	5	RJ031	DJ63-01656A	COVER MOTOR; VS9000NL,ABS,NEUTRAL GRAY,HG	SNA	1
1-8-2	5		DJ63-01674A	GASKET ETC; VS9000RL,EVA FOAM,-,T3,W3,L15	SNA	1

4. Assy Handy_Assy Grille Back

Assy Handy_Assy Grille Back

Exploded View



Parts List

No.	Lvl.	Loc.	Material Code	Description & Specification	SNA	Qty.
1-16	3	RB037	DJ97-02641D	ASSY GRILLE BACK; VS9200TL,ROSE GOLD,PTFE	SA	1
1-16-1	4		DJ61-02559A	HOLDER GRILLE; VS9000NL,PC+ABS,L108,EBONY	SNA	1
1-16-2	4		DJ63-01658D	GASKET GRILLE; VS9200TL,TPE,OR3000PC,BLAC	SNA	1
1-16-2-1	5		DJ64-01355E	GRILLE FILTER; VS9200TL,ABS,HB,NEUTRAL GR	SNA	1
1-16-3	4		DJ63-01674A	GASKET ETC; VS9000RL,EVA FOAM,-,T3,W3,L15	SNA	1

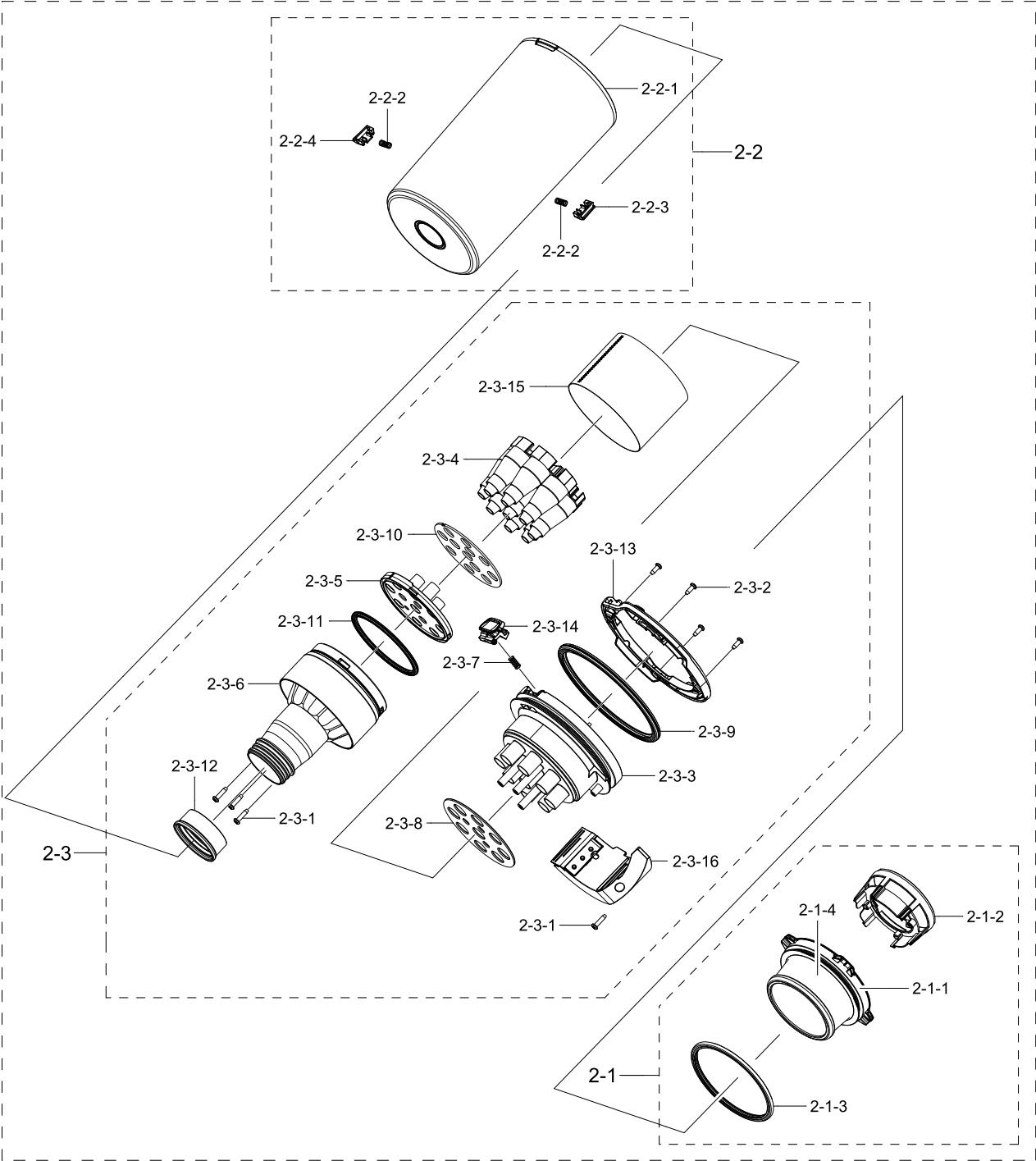
Exploded Views and Parts List

No.	Lvl.	Loc.	Material Code	Description & Specification	SNA	Qty.
1-16-4	4		DJ63-01675A	FILTER OUTLET; VS9000RL,T9,W26.5,PTFE9314	SNA	1
1-16-5	4		DJ63-01681A	ABSORBER ETC; VS9000RL,PET,T1.2	SNA	1

5. Assy Handy_Assy Cyclone

Assy Handy_Assy Cyclone

Exploded View



Parts List

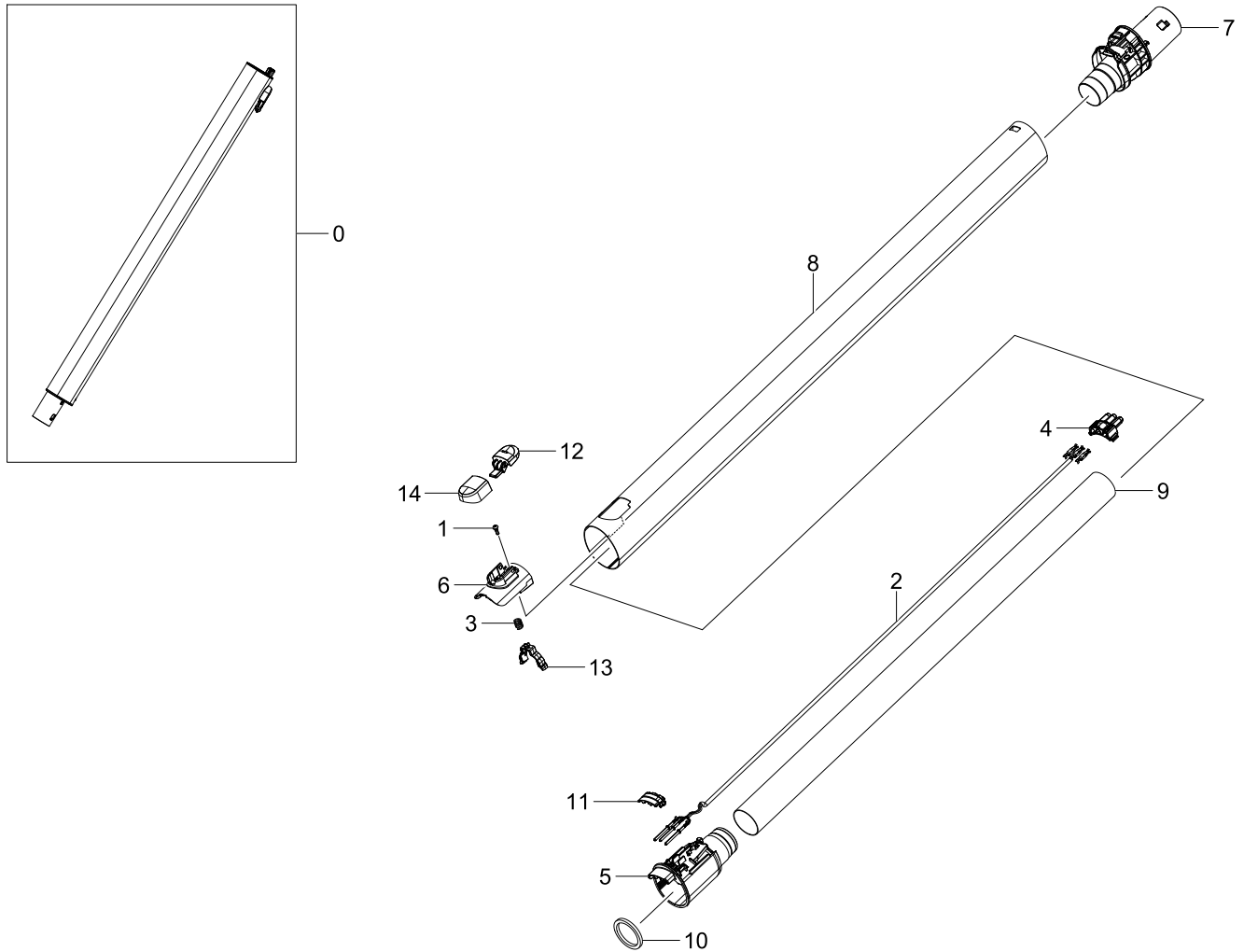
No.	Lvl.	Loc.	Material Code	Description & Specification	SNA	Qty.
2	2		DJ97-02835C	ASSY CYCLONE; VS9000RL,Titan ChroMetal,EX	SA	1
2-1	3		DJ97-02649B	ASSY FILTER; VS9000RL,MICRO,DEEP BLUE,SOF	SA	1
2-1-1	4		DJ61-02590A	HOLDER FILTER; VS9000NL,ABS,T1.2,L84.4,DE	SNA	1
2-1-2	4		DJ61-02591A	SUPPORT FILTER; VS9000NL,ABS,T1.2,HG-0760	SNA	1
2-1-3	4		DJ63-01671A	GASKET HOLDER; VS9000NL,TPV,TPV-45VSH-65A	SNA	1
2-1-4	4		DJ63-01678B	FILTER CYCLONE; VS9000RL,SOFT SKY BLUE,FI	SNA	1
2-2	3	RL005	DJ97-02829A	ASSY CASE; VS7000TL,GRAY TRP,No,0.8L	SA	1
2-2-1	4		DJ61-02753A	CASE CYCLONE; VS9000-Renewal,PC,T1.4,GRAY	SNA	1
2-2-2	4		DJ61-02594A	SPRING ETC COIL; VS9000RL,STS304,0.4mm,ID	SNA	2
2-2-3	4		DJ64-01362A	BUTTON CYCLONE-LEFT; VS9000RL,ABS,DARK CH	SNA	1
2-2-4	4		DJ64-01363A	BUTTON CYCLONE-RIGHT; VS9000RL,ABS,DARK C	SNA	1
2-3	3		DJ97-02837C	ASSY CYCLONE GRILLE; VS9000RL,Titan ChroM	SA	1
2-3-1	4	RV005	6002-000462	SCREW-TAPPING; PH,+,2,M3,L10,ZPC(WHT),SWR	SNA	4
2-3-2	4	RV005	6002-001262	SCREW-TAPTYPE; PH,+,B,M3,L8,PASS,STS304	SNA	4
2-3-3	4		DJ61-02761A	CASE CYCLONE-UP; VS9000RL,ABS,T1.4,COTTA	SNA	1
2-3-4	4		DJ61-02765A	CASE CYCLONE-IN; VS9000RL,ABS,T1.2,EBONY	SNA	1
2-3-5	4		DJ61-02762A	CASE CYCLONE-MIDDLE; VS9000RL,ABS,T1.2,AI	SNA	1
2-3-6	4		DJ61-02764A	CASE CYCLONE-LOW; VS9000RL,ABS,T1.4,COTTA	SNA	1
2-3-7	4		DJ61-02593A	SPRING ETC COIL; VS9000RL,STS304,0.6mm,ID	SA	1
2-3-8	4		DJ63-01762A	GASKET CYCLONE-MIDDLE; VS9000RL,EVA FOAM,	SNA	1
2-3-9	4		DJ63-01668A	GASKET CYCLONE-UP; VS9000RL,PVC,LF-G31,T1	SNA	1
2-3-10	4		DJ63-01761A	GASKET CYCLONE-IN; VS9000RL,EVA FOAM,T1.5	SNA	1
2-3-11	4		DJ63-01763A	GASKET ETC; VS9000RL,EVA FOAM,-,T2.5,W2.5	SNA	1
2-3-12	4		DJ63-01670A	GASKET CYCLONE; VS9000RL,TPV,TPV-45VSH-65	SNA	1
2-3-13	4		DJ64-01360B	DECORATION CYCLONE-UP; VS9000RL,PC,T1.2,N	SNA	1

No.	Lvl.	Loc.	Material Code	Description & Specification	SNA	Qty.
2-3-14	4		DJ64-01361B	BUTTON CYCLONE; VS9000RL,PC,NEUTRAL GRAY,	SNA	1
2-3-15	4		DJ64-01401A	GRILLE CYCLONE; VS9000RL,Al,CYCLONE RENEW	SNA	1
2-3-16	4		DJ97-02838A	ASSY GUIDE AIR; VS9000RL,Dark ChroMetal,C	SNA	1

6. Assy Pipe

Assy Pipe

Exploded View



Parts List

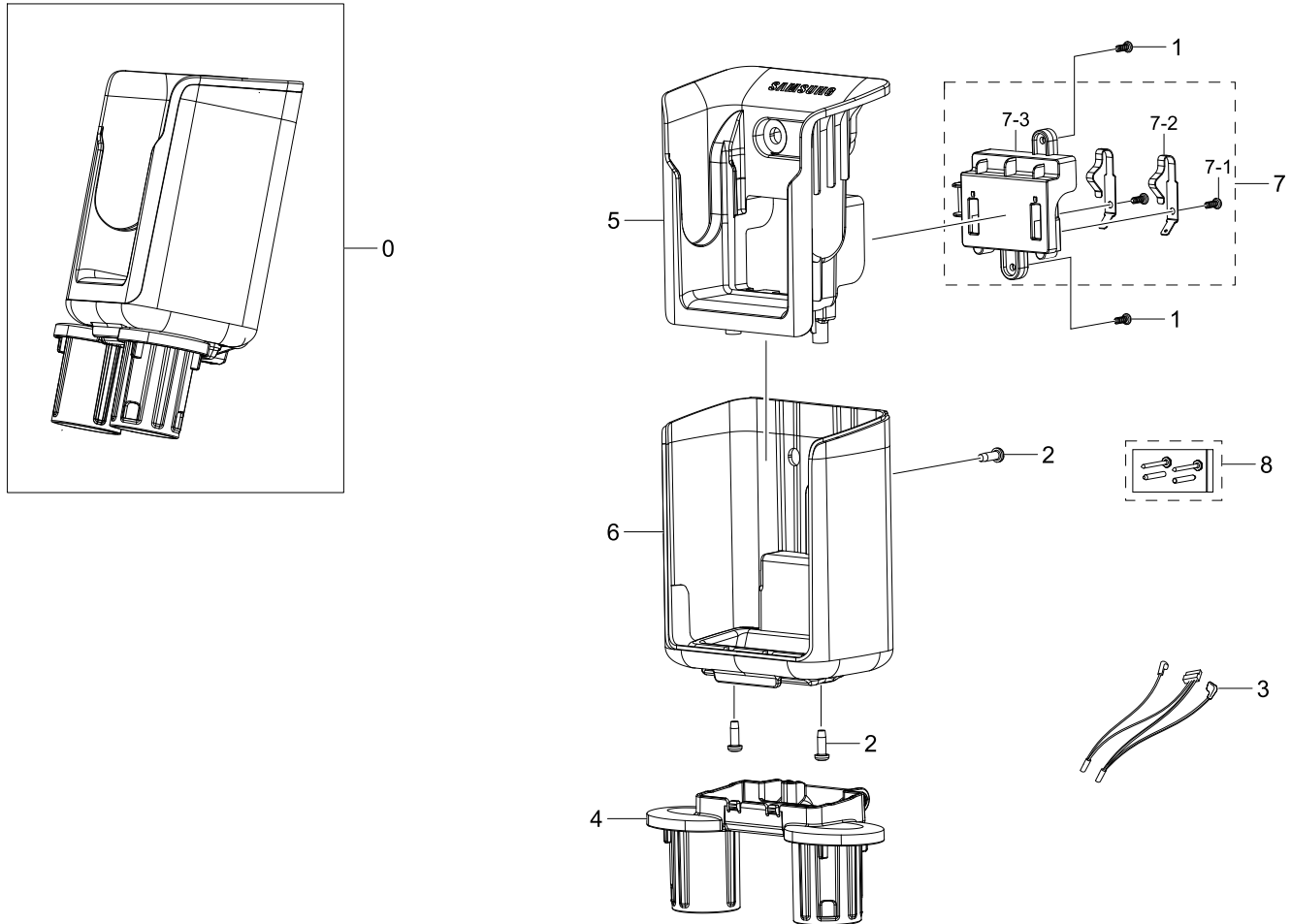
No.	Lvl.	Loc.	Material Code	Description & Specification	SNA	Qty.
0	2		DJ97-02823A	ASSY PIPE; VS7000TL,AL,BUCKLE,DARK TITAN,	SA	1
1	3	RV005	6003-000167	SCREW-TAPTYPE; PH,+B,M3,L8,ZPC(BLK),SWRC	SNA	1
2	3		DJ39-00303A	WIRE HARNESS-TERMINAL; 3P,UL2464,#24,VS75	SNA	1
3	3		DJ61-00584A	SPRING ETC-CAP; VC-MBM940,HSWR,CD0.7,OD7.	SA	1
4	3		DJ61-02555A	HOLDER TERMINAL; VS9000RL,PC,L25.5,EBONY	SNA	1
5	3		DJ61-02746A	HOLDER PIPE; VS9000-Renewal,PC,L95,D40.2,	SNA	1

No.	Lvl.	Loc.	Material Code	Description & Specification	SNA	Qty.
6	3		DJ61-02747A	HOLDER BUTTON; VS9000-Renewal,POM,L50.5,D	SNA	1
7	3		DJ62-00481A	PIPE CONNECTOR; VS7000TL,PC,L120,GRAY TR-	SNA	1
8	3		DJ62-00484A	PIPE OUTER; VS7000TL,A1,T0.7,DARK TITAN,A	SNA	1
9	3		DJ62-00485A	PIPE INNER; VS7000TL,PP,T0.6,BLACK,BLACK,	SNA	1
10	3		DJ63-01618A	GASKET ETC; VS8000ML,EPDM,BLACK,PET FILM,	SNA	1
11	3	RA051	DJ63-01651A	COVER TERMINAL; VS9000NL,PC,V-0,EBONY BLA	SNA	1
12	3		DJ64-01348A	KNOB PIPE; VS9000RL,PC,DARK CHROMETAL	SA	1
13	3		DJ66-00823A	LEVER RELEASE; VS9000NL,PC,3022R,GRAY TR-	SNA	1
14	3		DJ67-00828A	CAP KNOB; VS9000RL,PC,V-2,M3020PN,DARK CH	SA	1

7. Assy Charger

Assy Charger

Exploded View



Parts List

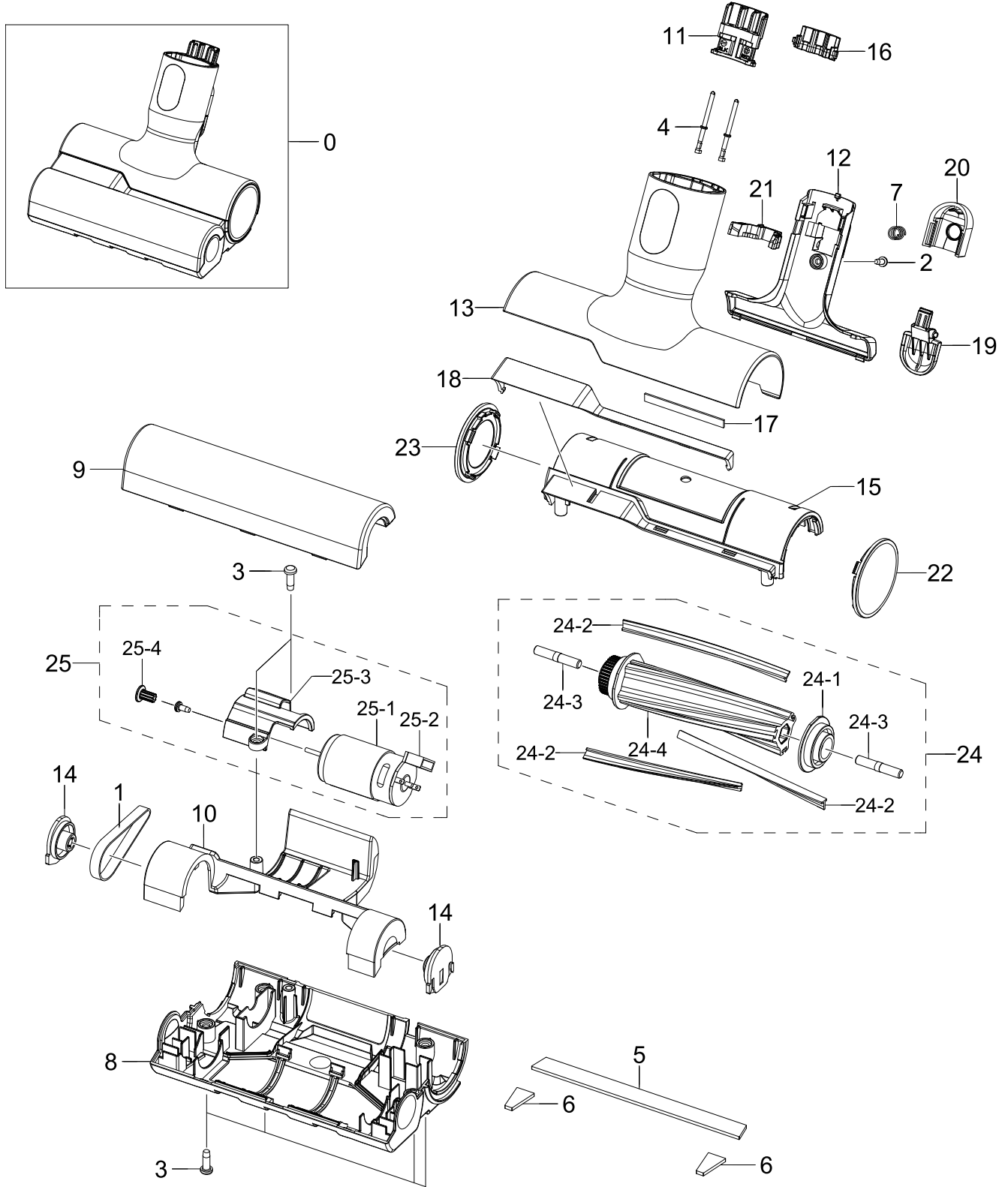
No.	Lvl.	Loc.	Material Code	Description & Specification	SNA	Qty.
0	2	RA014	DJ96-00231A	ASSY CHARGER; VS7000TL,Dark chrometal	SA	1
1	3	RV005	6003-000167	SCREW-TAPTYPE; PH,+,B,M3,L8,ZPC(BLK),SWRC	SNA	2
2	3	RV005	6003-000170	SCREW-TAPTYPE; PH,+,B,M4,L12,ZPC(WHT),SWR	SNA	3
3	3	RJ109	DJ39-00304A	WIRE HARNESS-POWER; 2P,DC JACK(DC-005C-1.	SA	1
4	3		DJ61-02751A	HOLDER ACCESSORY; VS7500TL,ABS,T2,L40.4,D	SA	1
5	3		DJ61-02752A	BODY CHARGER; VS7500TL,ABS,T2.3,NEUTRAL G	SA	1
6	3		DJ63-01751A	COVER CHARGER; VS7500TL,ABS,T3,DARK CHROM	SNA	1

No.	Lvl.	Loc.	Material Code	Description & Specification	SNA	Qty.
7	3		DJ97-02824A	ASSY HOLDER TERMINAL; VS7000TL,NEUTRAL GR	SA	1
7-1	4	RV005	6003-000167	SCREW-TAPTYPE; PH,+,B,M3,L8,ZPC(BLK),SWRC	SNA	2
7-2	4		DJ37-00019A	TERMINAL; VS9000RL,ASSY CHARGER HOLDER	SNA	2
7-3	4		DJ61-02750A	HOLDER TERMINAL; VS7500TL,PC,T2,L56.3,NEU	SNA	1
8	3		DJ98-01138A	ASSY ACCESSORY; VS9000RL,WALL MOUNT SCREW	SA	1

8. Mini Turbo Brush

Mini Turbo Brush

Exploded View



Parts List

No.	Lvl.	Loc.	Material Code	Description & Specification	SNA	Qty.
0	2		DJ97-02636A	ASSY BRUSH; VS9000RL,DOM,MINI BRUSH	SA	1
1	3		6602-002831	BELT-TIMING GEAR; 2M-130-6,NBR,T1.36,BLK	SNA	1
2	3	RV005	6002-000630	SCREW-TAPPING; PH,+,2S,M3,L8,ZPC(WHT),SWR	SNA	1
3	3	RV005	6003-000170	SCREW-TAPTYPE; PH,+,B,M4,L12,ZPC(WHT),SWR	SNA	6
4	3		DJ39-00283A	WIRE HARNESS-MOTOR; 2P,BRUSH(MINI TURBO),	SNA	1
5	3		DJ60-00032A	SPACER BRUSH; TB-700,WOOL,L135,T2,AIR BOR	SA	1
6	3		DJ60-00038A	SPACER BRUSH; TB-700,WOOL,L19.4,-,-,T2,W0	SA	2
7	3		DJ61-00584A	SPRING ETC-CAP; VC-MBM940,HSWR,CD0.7,OD7.	SA	1
8	3		DJ61-02484B	BODY BRUSH; VS9000RL,ABS,DARK CHROMETAL,M	SA	1
9	3		DJ61-02485A	CASE DRUM; VS8000ML,PC,GRAY TR-P,SR1000,M	SNA	1
10	3		DJ61-02486A	GUIDE AIR; VS8000ML,PP,Length,Diameter,HB	SNA	1
11	3		DJ61-02551A	HOLDER TERMINAL; VS9000NL,PC,L30,EBONY BL	SNA	1
12	3		DJ61-02566A	HOLDER WIRE; VS9000RL,PC,L93.6,DARK CHROM	SA	1
13	3		DJ62-00461A	PIPE CONNECTOR; VS9000RL,PC,DARK CHROMETA	SNA	1
14	3		DJ63-00604A	COVER-DRUM; UPRIGHT,POM,-,BISSELL,-,BLACK	SA	2
15	3		DJ63-01605B	COVER BRUSH; VS9000RL,ABS,HB,DARK CHROMET	SNA	1
16	3	RA051	DJ63-01651A	COVER TERMINAL; VS9000NL,PC,V-0,EBONY BLA	SNA	1
17	3		DJ63-01628A	GASKET ETC; VS8000ML,EVA FOAM,W5,L52,MINI	SNA	1
18	3		DJ64-01331A	DECORATION COVER; VS8000ML,ABS,AIRBORNE,S	SNA	1
19	3		DJ64-01348A	KNOB PIPE; VS9000RL,PC,DARK CHROMETAL	SA	1
20	3		DJ67-00828A	CAP KNOB; VS9000RL,PC,V-2,M3020PN,DARK CH	SA	1
21	3		DJ66-00823A	LEVER RELEASE; VS9000NL,PC,3022R,GRAY TR-	SNA	1
22	3		DJ67-00807B	CAP BODY; VS9000RL,ABS,HB,LU637,DARK CHRO	SNA	1
23	3		DJ67-00808B	CAP AIR; VS9000RL,ABS,HB,LU637,DARK CHROM	SNA	1
24	3		DJ97-02574B	ASSY DRUM BRUSH; VS9000RL,L126.4,AQUA GRE	SA	1

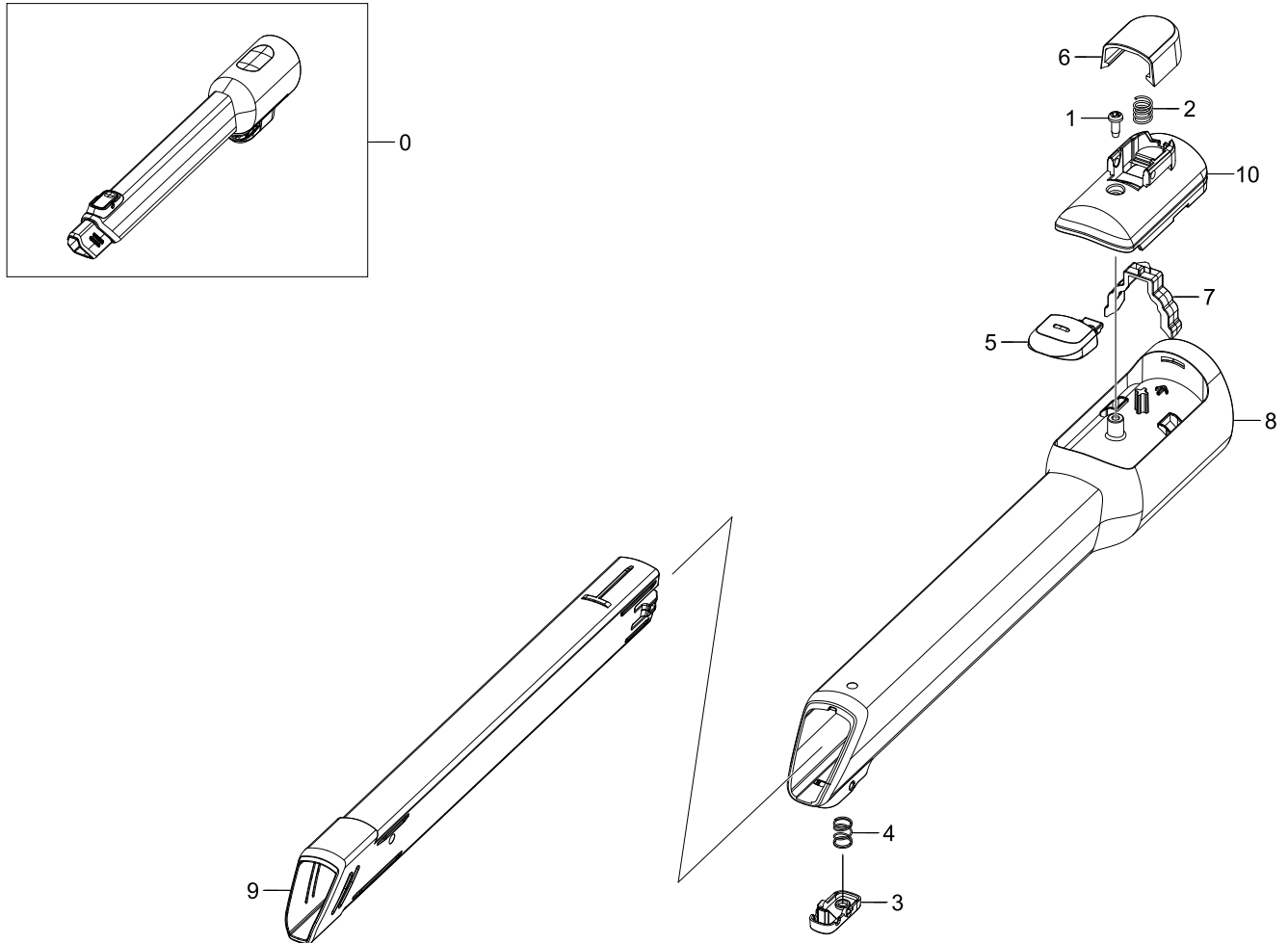
Exploded Views and Parts List

No.	Lvl.	Loc.	Material Code	Description & Specification	SNA	Qty.
24-1	4		DJ61-02345C	HOLDER-DRUM; VS9000RL,PP+TD30%,L5,AQUA GR	SNA	1
24-2	4		DJ62-00418B	NOZZLE DRUM; VS8000ML,NBR,BLACK	SNA	3
24-3	4		DJ66-00206B	SHAFT DRUM; UPRIGHT,SM20C,L29,OD4.95,NATU	SNA	2
24-4	4		DJ66-00749C	DRUM BRUSH; VS9000RL,PP+TD30%,PTN960,AQUA	SNA	1
25	3		DJ94-00891A	ASSY MOTOR PARTS; VS9000RL,RS390,MINI BRU	SNA	1
25-1	4	RJ077	DJ31-00148C	MOTOR DC; 7038rpm,18.0V,0.70A,20.7W	SNA	1
25-2	4		DJ92-00184A	ASSY MODULE; BRUSH MOTOR,VS9000RL,GREEN,S	SNA	1
25-3	4	RV005	6006-000112	SCREW-MACHINE; PH,+,WS,M2.6,L8,ZPC(WHT),S	SNA	1
25-4	4		DJ61-02498A	HOLDER MOTOR; VS8000ML,ABS,-,L42,EBONY BL	SNA	1

9. Crevice Tool

Crevice Tool

Exploded View



Parts List

No.	Lvl.	Loc.	Material Code	Description & Specification	SNA	Qty.
0	2	RA001	DJ98-01130A	ASSY ACCESSORY CREVICE; VS9000RL,CREVICE,	SA	1
1	3	RV005	6002-000630	SCREW-TAPPING; PH,+,2S,M3,L8,ZPC(WHT),SWR	SNA	1
2	3		DJ61-00584A	SPRING ETC-CAP; VC-MBM940,HSWR,CD0.7,OD7.	SA	1
3	3		DJ64-01333B	BUTTON PUSH; VS9000RL,PC,HB,DARK CHROMETA	SA	1
4	3		DJ61-02508A	SPRING ETC COIL; VS8000ML,HSWR,CD0.5,ID6.	SA	1
5	3		DJ64-01348A	KNOB PIPE; VS9000RL,PC,DARK CHROMETAL	SA	1
6	3		DJ67-00828A	CAP KNOB; VS9000RL,PC,V-2,M3020PN,DARK CH	SA	1
7	3		DJ66-00823A	LEVER RELEASE; VS9000NL,PC,3022R,GRAY TR-	SNA	1
8	3		DJ62-00455A	PIPE CONNECTOR; VS9000RL,ABS,ID35.1,L276,	SNA	1

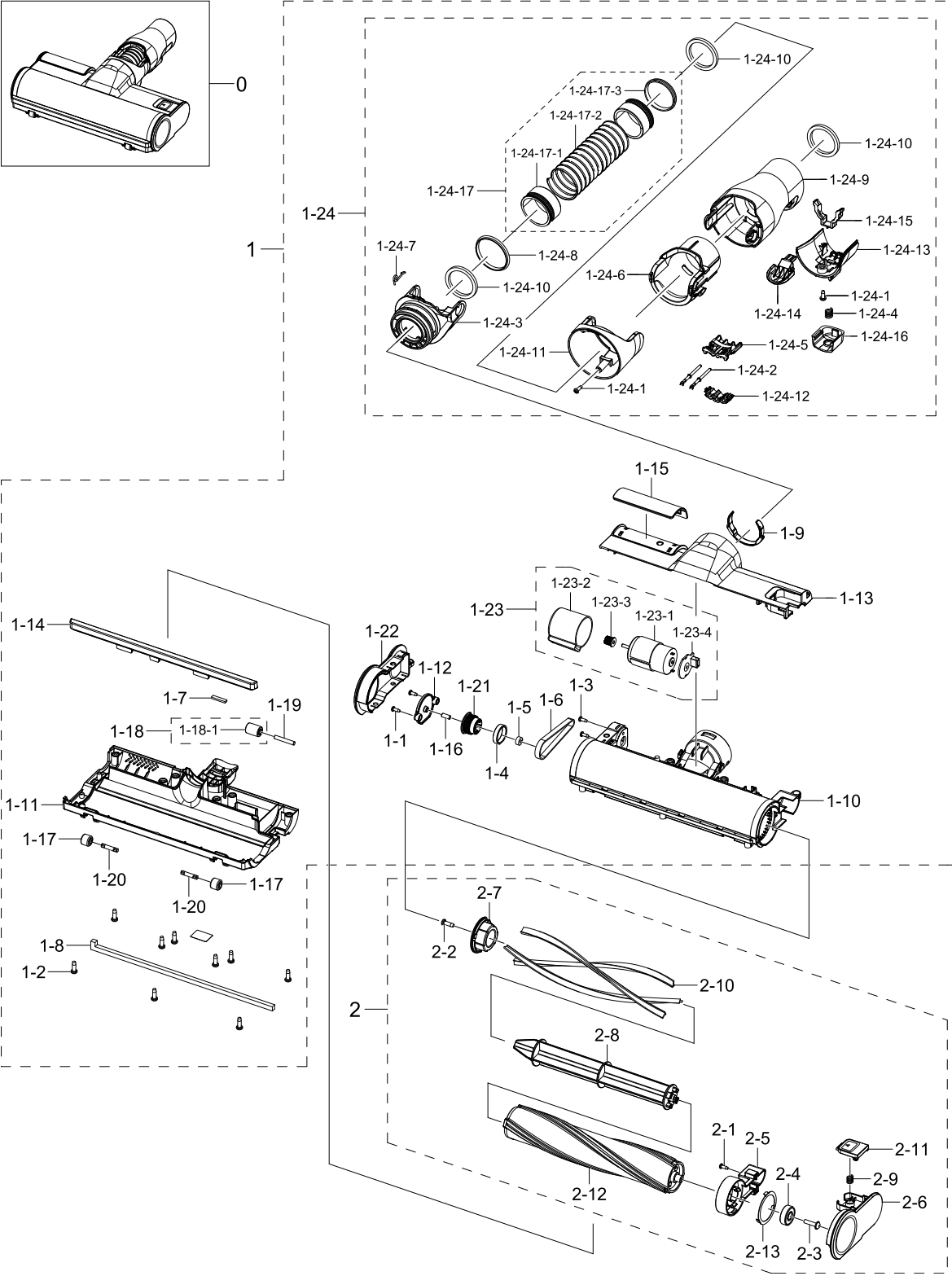
Exploded Views and Parts List

No.	Lvl.	Loc.	Material Code	Description & Specification	SNA	Qty.
9	3	RA078	DJ62-00456A	PIPE CREVICE; VS9000RL,ABS,L241.8,SOLID S	SNA	1
10	3		DJ63-01644A	COVER HOLDER; VS9000RL,ABS,W33.6,L64.4,HB	SNA	1

10. Carpet Brush

Carpet Brush

Exploded View



Parts List

No.	Lvl.	Loc.	Material Code	Description & Specification	SNA	Qty.
0	2		DJ97-02635D	ASSY BRUSH; VS9000RL,TURBO ACTION BRUSH,E	SA	1
1	3		DJ97-02852A	ASSY BODY BRUSH; VS9000RL,DARK CHROMETAL,	SA	1
1-1	4	RV005	6002-000630	SCREW-TAPPING; PH,+,2S,M3,L8,ZPC(WHT),SWR	SNA	2
1-2	4	RV005	6003-000170	SCREW-TAPTTYPE; PH,+,B,M4,L12,ZPC(WHT),SWR	SNA	9
1-3	4	RV005	6006-000130	SCREW-MACHINE; SWRCH18A,ZPC(WHT),L8,M3,PH	SNA	2
1-4	4		6601-003318	BEARING OILLESS; SBF4118,L5.1,OD22.2,ID18	SNA	1
1-5	4		6601-003453	BEARING BALL; 684ZZMC3,ID4,OD9,L4,STB2,68	SNA	1
1-6	4		6602-003994	BELT-TIMING GEAR; 2M-170-6,NBR,T1.38,W6,L	SNA	1
1-7	4		DJ60-00040A	SPACER BRUSH; VS6000KL,WOOL,L18,-,T2,W4	SA	3
1-8	4		DJ60-00050A	SPACER BRUSH; VS8000ML,WOOL,L245,W5,80K,	SA	1
1-9	4		DJ61-02533A	GUIDE KEY; VS8000ML,POM,L38.4,K300,NATURA	SNA	1
1-10	4		DJ61-02538A	CASE DRUM; VS8000ML,PC,-,GRAY TR-P,-,3022	SNA	1
1-11	4		DJ61-02539B	BODY BRUSH; VS9000RL,PC,BLACK,TURBO ACTIO	SA	1
1-12	4		DJ63-01604A	COVER GEAR BOX; VS8000ML,PC,V-2,BLACK,302	SNA	1
1-13	4		DJ63-01639B	COVER BRUSH; VS9000RL,ABS,HB,DARK CHROMET	SNA	1
1-14	4		DJ63-01640A	BAND BRUSH; VS8000ML,TPEE,BLACK,CARPET BR	SNA	1
1-15	4		DJ64-01330C	DECORATION COVER; VS8000ML,ABS,-,WARM SIL	SNA	1
1-16	4		DJ66-00549C	SHAFT ETC; VS8000ML,STS304,9.5,4.0,GEAR B	SNA	1
1-17	4		DJ66-00806A	ROLLER; VS9000RL,NBR,OD12,DARK CHROMETAL,	SA	2
1-18	4		DJ66-00813A	ROLLER-OUT; VS8000ML,TPEE,OD12,BLACK	SA	1
1-18-1	5		DJ66-00812A	ROLLER-IN; VS8000ML,POM,NATURAL,ID4.2	SA	1
1-19	4	RP294	DJ70-30110A	SHAFT ROLLER-B; VC-DOM,MSWR,L26,OD3.9,ZPC	SA	1
1-20	4		DJ66-00836A	SHAFT ROLLER; VS9000RL,MSWR,L20.4,OD3.9,D	SA	2

No.	Lvl.	Loc.	Material Code	Description & Specification	SNA	Qty.
1-21	4		DJ66-00820A	PULLEY DRUM; VS8000ML,POM,NATURAL,K300	SNA	1
1-22	4		DJ67-00806B	CAP CASE; VS9000RL,ABS,HB,LU637,DARK CHRO	SNA	1
1-23	4		DJ94-00889A	ASSY MOTOR PARTS; VS9000RL,RS445,TURBO AC	SNA	1
1-23-1	5	RJ077	DJ31-00168A	MOTOR DC; RS445-ST-2670,7652rpm,18.0V,1.1	SNA	1
1-23-2	5		DJ63-01602A	CUSHION MOTOR; VS8000M,TPEE,T1.2,W37,L36.	SNA	1
1-23-3	5		DJ66-00832A	PULLEY TURBINE; VS9000RL,SMF5030,Type 15-	SNA	1
1-23-4	5		DJ92-00184A	ASSY MODULE; BRUSH MOTOR,VS9000RL,GREEN,S	SNA	1
1-24	4		DJ97-02661A	ASSY PIPE C/BRUSH; VS9000RL,PC,DOM,L148.3	SNA	1
1-24-1	5	RV005	6002-000630	SCREW-TAPPING; PH,+,2S,M3,L8,ZPC(WHT),SWR	SNA	2
1-24-2	5		DJ39-00285A	WIRE HARNESS-MOTOR; 2P,BRUSH(TURBO ACTION	SNA	1
1-24-3	5		DJ60-00046B	CONNECTOR BRUSH; PC,VS9000RL,NEUTRAL GRAY	SNA	1
1-24-4	5		DJ61-00584A	SPRING ETC-CAP; VC-MBM940,HSWR,CD0.7,OD7.	SA	1
1-24-5	5		DJ61-02551A	HOLDER TERMINAL; VS9000NL,PC,L30,EBONY BL	SNA	1
1-24-6	5		DJ61-02565A	HOLDER ETC; VS9000RL,PC,L76.3,NEUTRAL GRA	SNA	1
1-24-7	5		DJ61-02592A	SPRING ETC; VS9000RL,HSWR,1.2mm,ID3.2,OD5	SNA	1
1-24-8	5		DJ62-00300A	SEAL-C/PIPE; NB-810,NBR,T0.6,HARDNESS 60	SNA	1
1-24-9	5		DJ62-00460A	PIPE CONNECTOR; VS9000RL,PC,DARK CHROMETA	SNA	1
1-24-10	5		DJ63-01618A	GASKET ETC; VS8000ML,EPDM,BLACK,PET FILM,	SNA	2
1-24-11	5		DJ63-01635B	COVER CONNECTOR; VS9000RL,PC,V-2,DARK CHR	SNA	1
1-24-12	5	RA051	DJ63-01651A	COVER TERMINAL; VS9000NL,PC,V-0,EBONY BLA	SNA	1
1-24-13	5		DJ63-01662A	COVER HOLDER; VS9000RL,PC,V-2,DARK CHROME	SNA	1
1-24-14	5		DJ64-01348A	KNOB PIPE; VS9000RL,PC,DARK CHROMETAL	SA	1
1-24-15	5		DJ66-00823A	LEVER RELEASE; VS9000NL,PC,3022R,GRAY TR-	SNA	1
1-24-16	5		DJ67-00828A	CAP KNOB; VS9000RL,PC,V-2,M3020PN,DARK CH	SA	1

Exploded Views and Parts List

No.	Lvl.	Loc.	Material Code	Description & Specification	SNA	Qty.
1-24-17	5	RL018	DJ97-02639A	ASSY HOSE; VS9000RL,GRAY,L110,DOM,SOFT, T	SNA	1
1-24-17-1	6		DJ60-00056A	CONNECTOR HOSE; PP,VS9000RL,NATURAL,BJ750	SNA	2
1-24-17-2	6	RL101	DJ67-00838A	HOSE WIRE; VS9000NL,TPU,ID31,OD34.8,L97,B	SNA	1
1-24-17-3	6		DJ73-20100A	SEAL-PIPE; VC-8500,NBR	SNA	1
2	3		DJ97-02640A	ASSY DRUM BRUSH; VS9000RL,L231.8,W SILVER	SA	1
2-1	4	RV005	6002-000630	SCREW-TAPPING; PH,+,2S,M3,L8,ZPC(WHT),SWR	SNA	1
2-2	4	RV005	6003-000170	SCREW-TAPTYPE; PH,+,B,M4,L12,ZPC(WHT),SWR	SNA	1
2-3	4	RV005	6003-001615	SCREW-TAPTYPE; PWH,+,B,M4,L16,ZPC(WHT),SW	SNA	1
2-4	4		6601-002678	BEARING BALL; 608ZZ Z3V3,ID8,OD22,L7,ZZ (SA	1
2-5	4		DJ61-02481A	GUIDE DRUM; VS8000ML,ABS,HB,HG-0760GP,EBO	SNA	1
2-6	4		DJ61-02482B	HOLDER BUTTON; VS9000RL,ABS,L108.8,DARK C	SNA	1
2-7	4		DJ61-02483A	HOLDER-DRUM; VS8000ML,PC,BLACK,V-2,3022R,	SNA	1
2-8	4		DJ61-02488A	GUIDE ETC; VS8000ML,ABS,L202.6,HB,GP-35,E	SNA	1
2-9	4		DJ61-70001P	SPRING ETC-PUSH; JAZZ-PJT,STS304,0.7mm,ID	SNA	1
2-10	4		DJ62-00430E	NOZZLE DRUM; VS9000RL,PA6+GF30%,T6.1,W5,L	SNA	3
2-11	4		DJ64-01328B	BUTTON BRUSH; VS9000RL,PC,V-2,DARK CHROME	SA	1
2-12	4		DJ66-00799B	DRUM BRUSH; VS9000RL,ABS,LU637,WARM SILVE	SNA	1
2-13	4		DJ67-00840A	CAP ETC; VS9000RL,STS430J1L,T0.4,W38.65,L	SNA	1