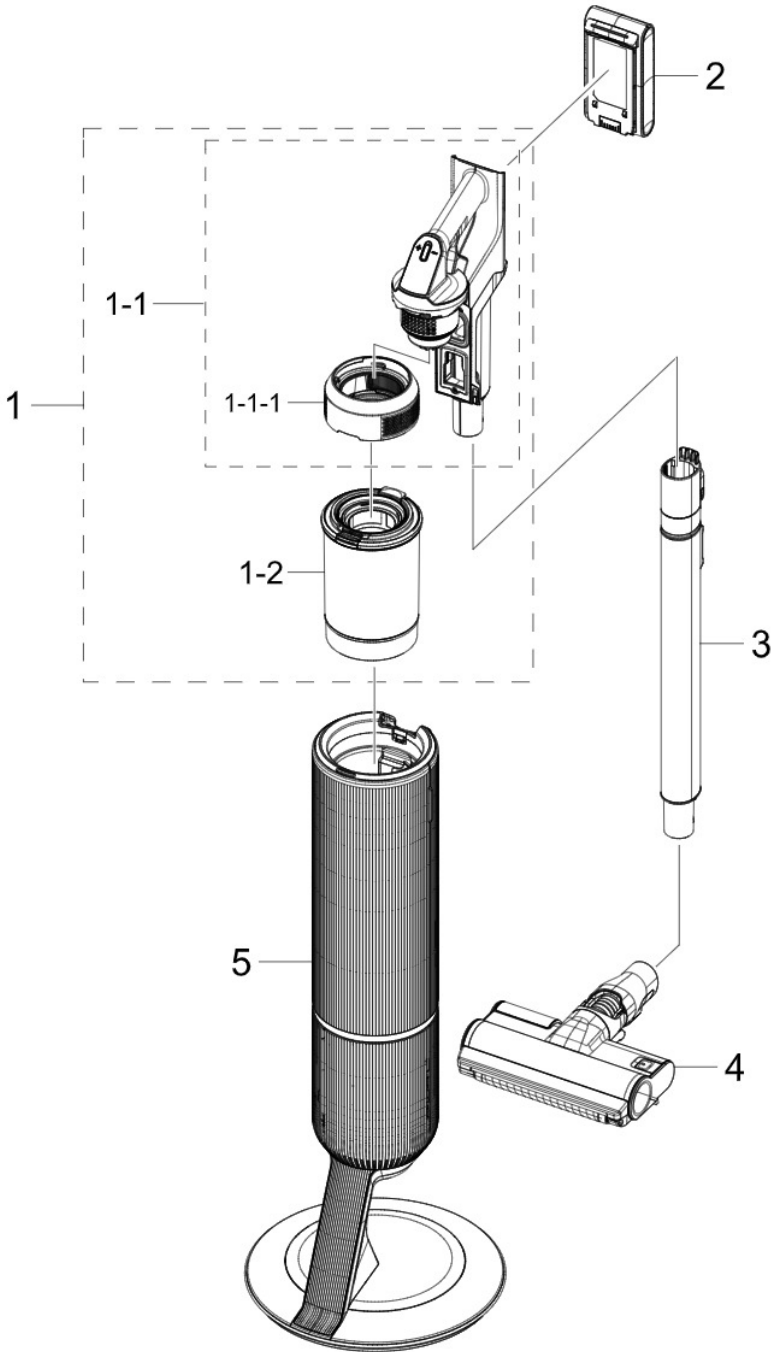
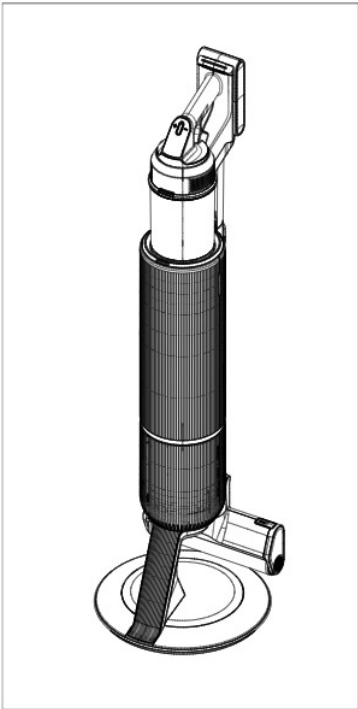





1. Main Body

Main Body

Exploded View

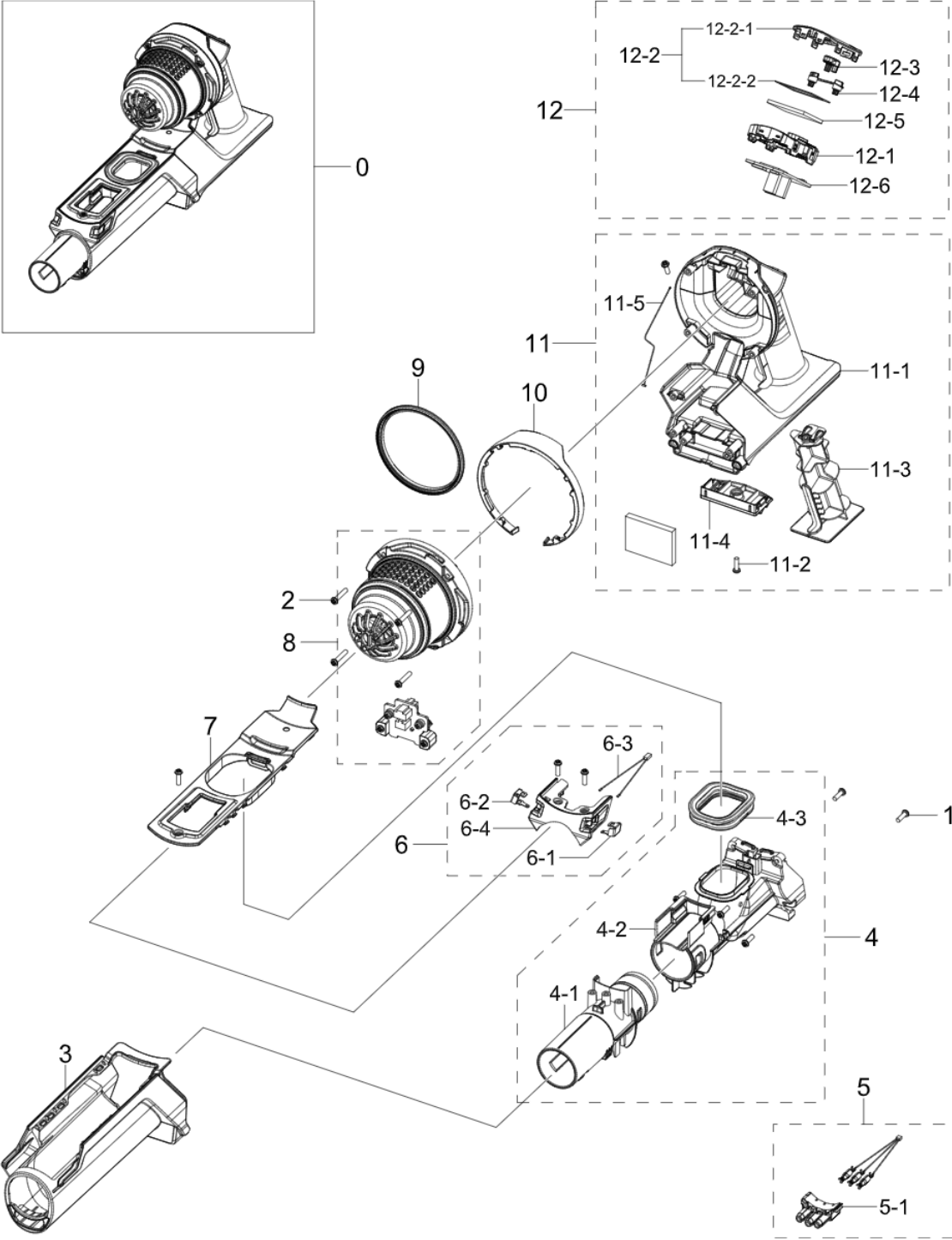


- 6 — 
- 7 — 
- 8 — 

1.1. Assy Body Parts

Assy Body Parts

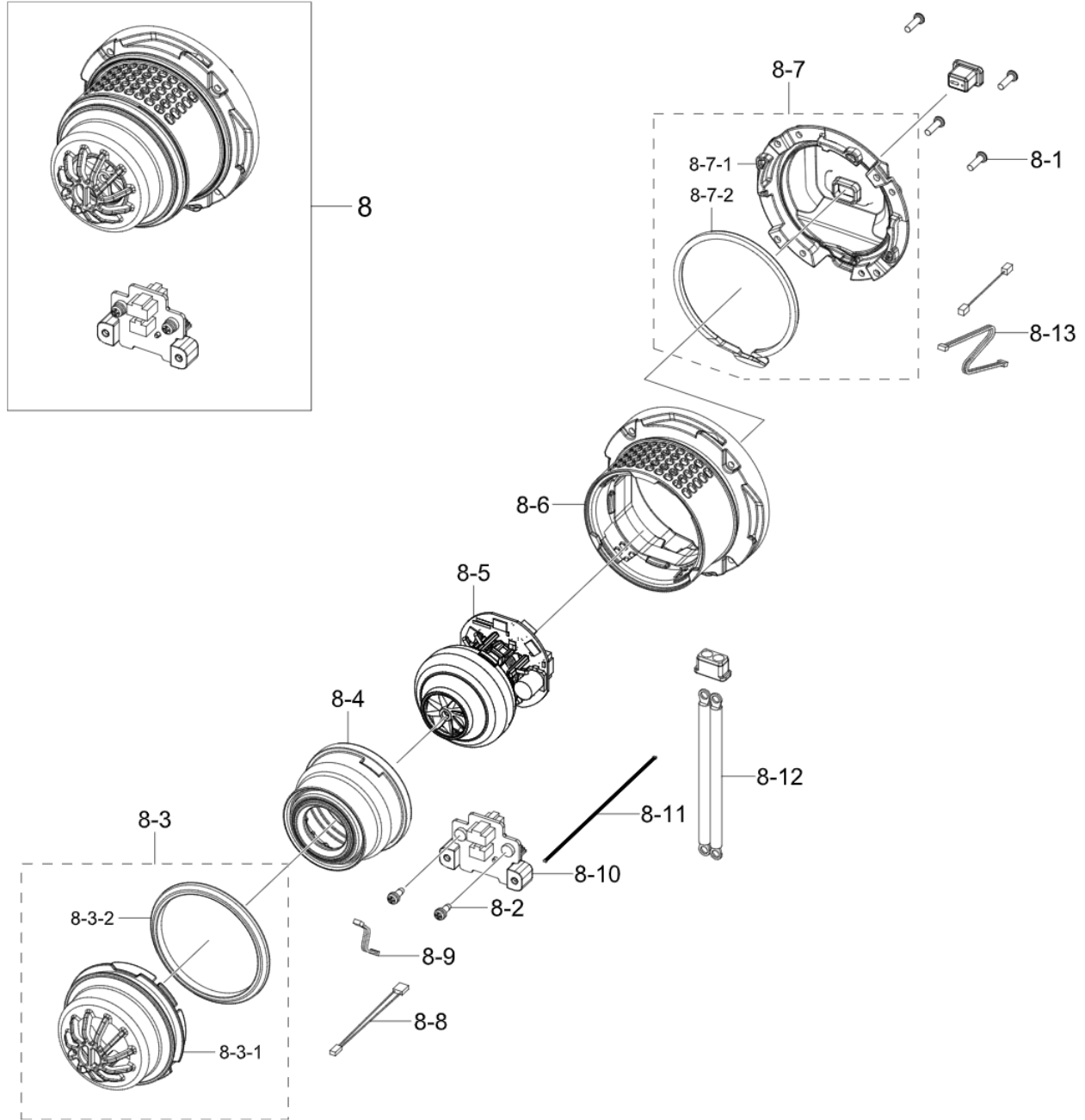
Exploded View



1.2. Assy Motor Parts

Assy Motor Parts

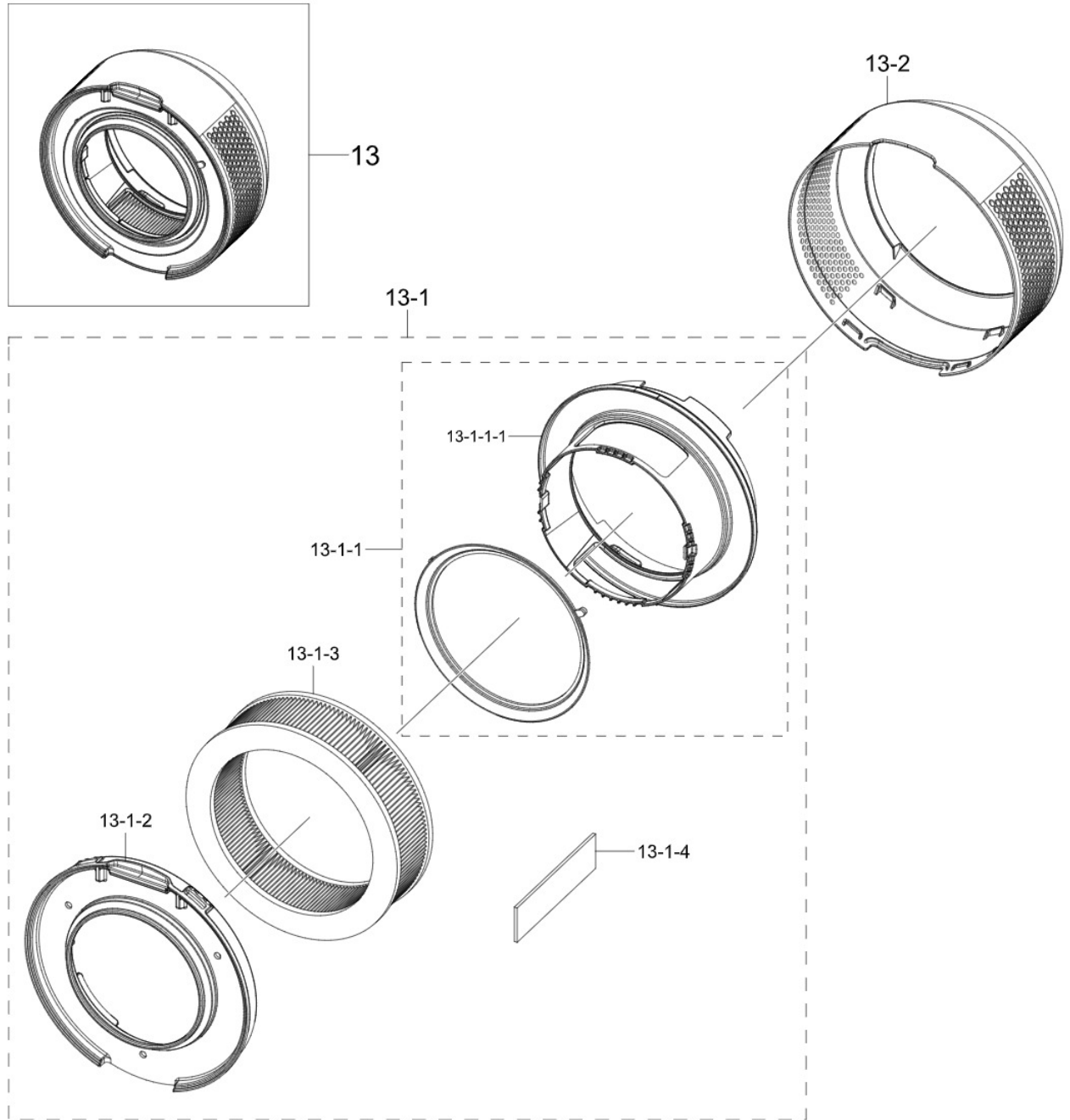
Exploded View



1.3. Assy Grille Back Parts

Assy Grille Back Parts

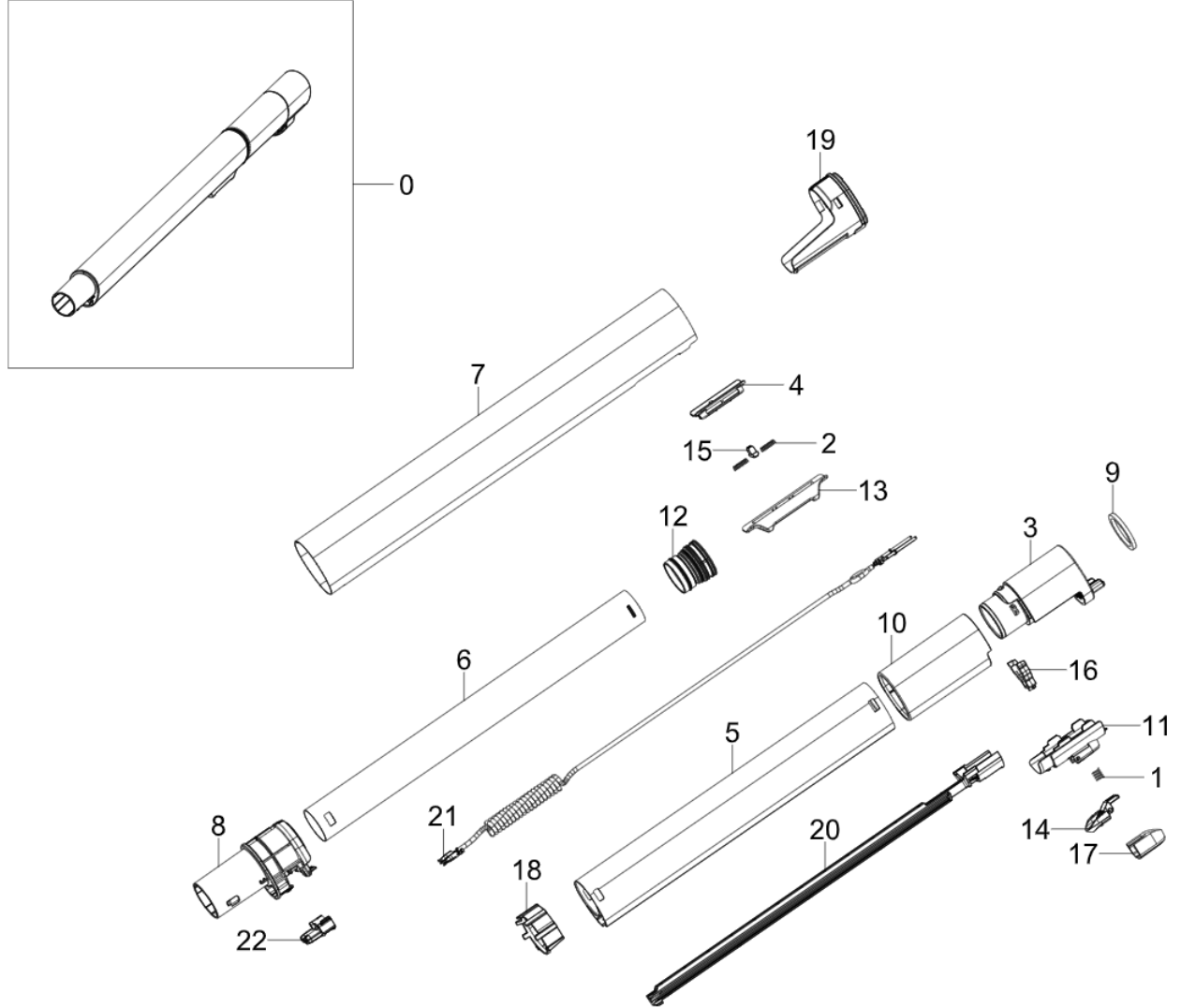
Exploded View



1.4. Assy Pipe Parts

Assy Pipe Parts

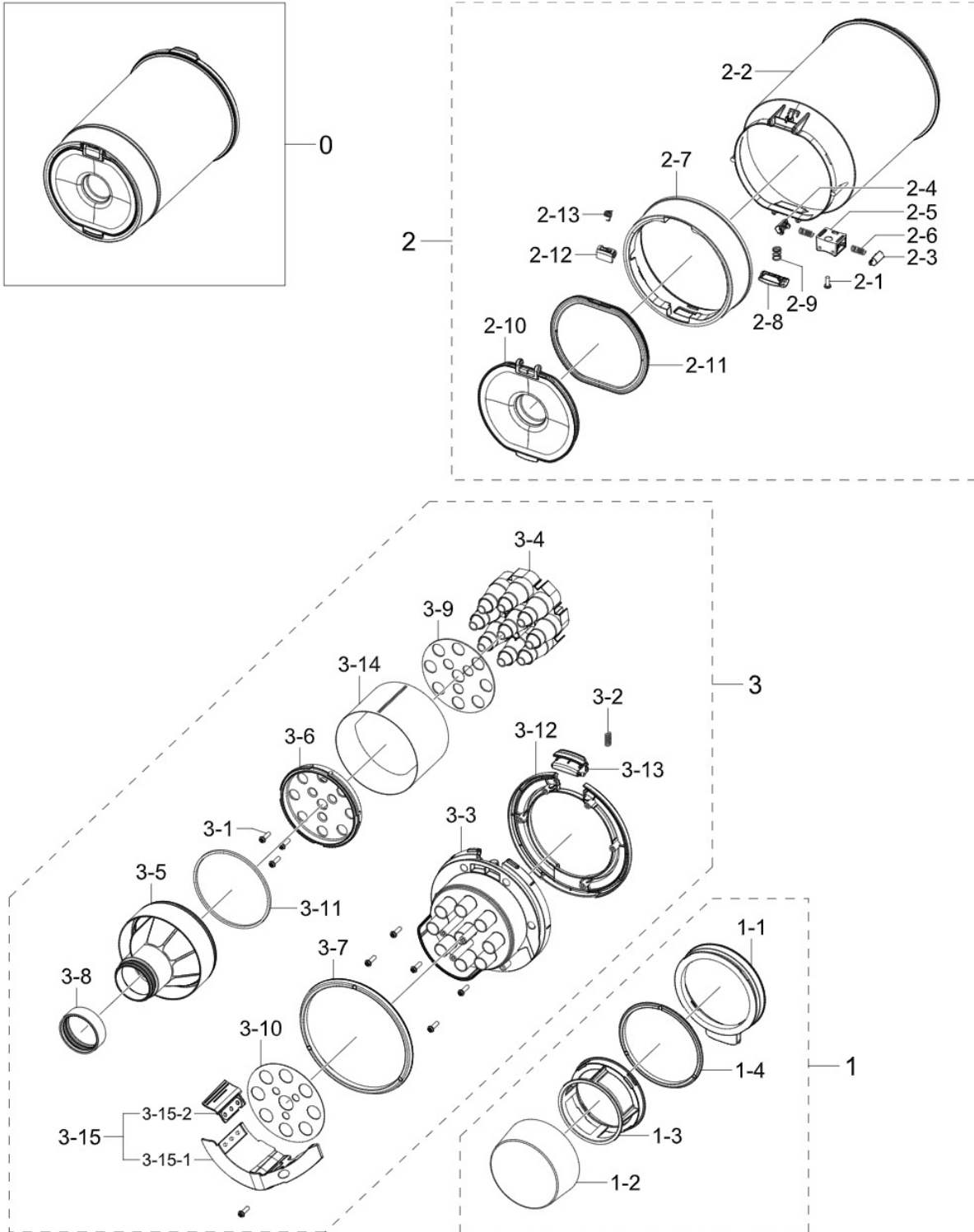
Exploded View



1.5. Assy Cyclone Parts

Assy Cyclone Parts

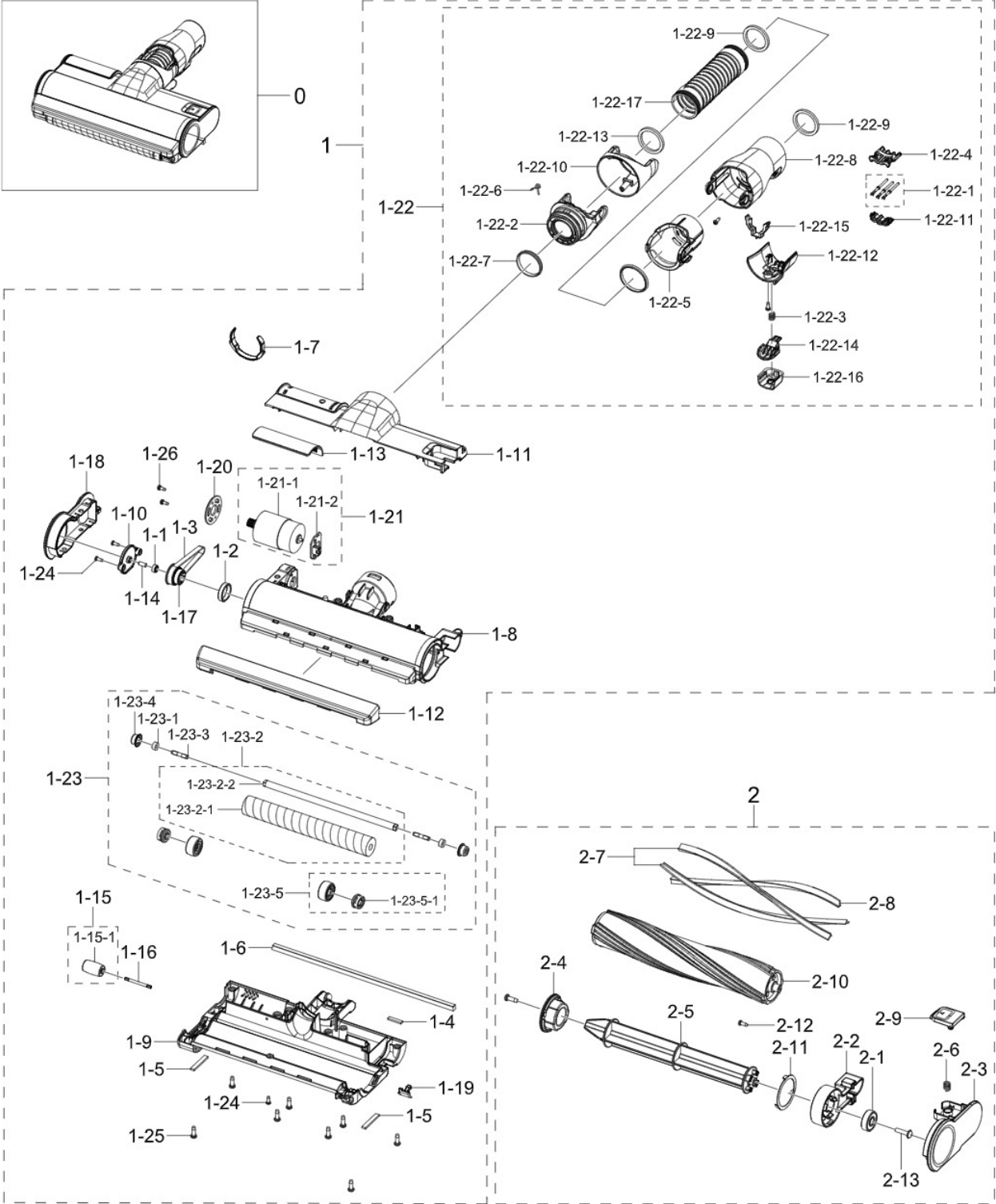
Exploded View



1.6. Jet Dual Brush

Jet Dual Brush

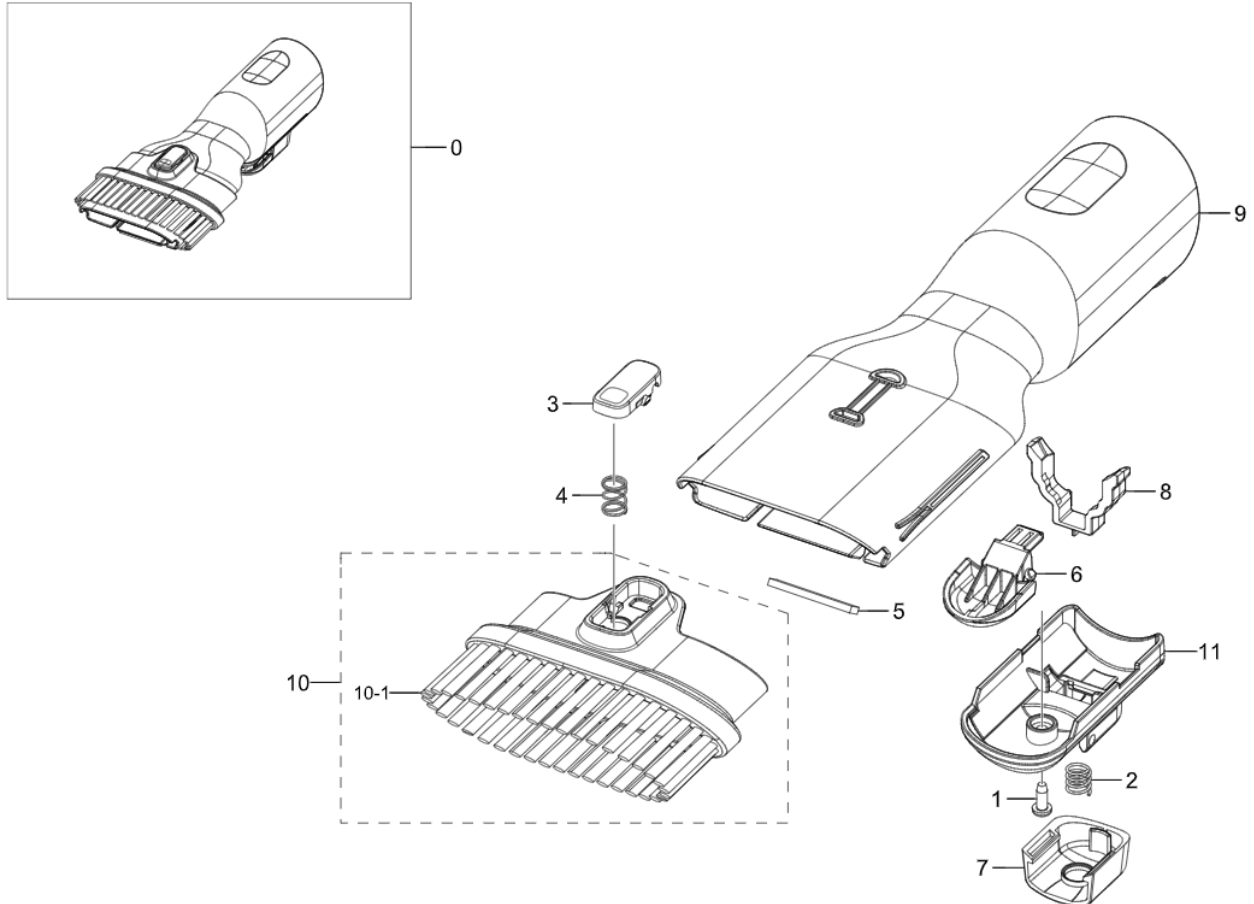
Exploded View



1.8. Combination Tool

Combination Tool

Exploded View



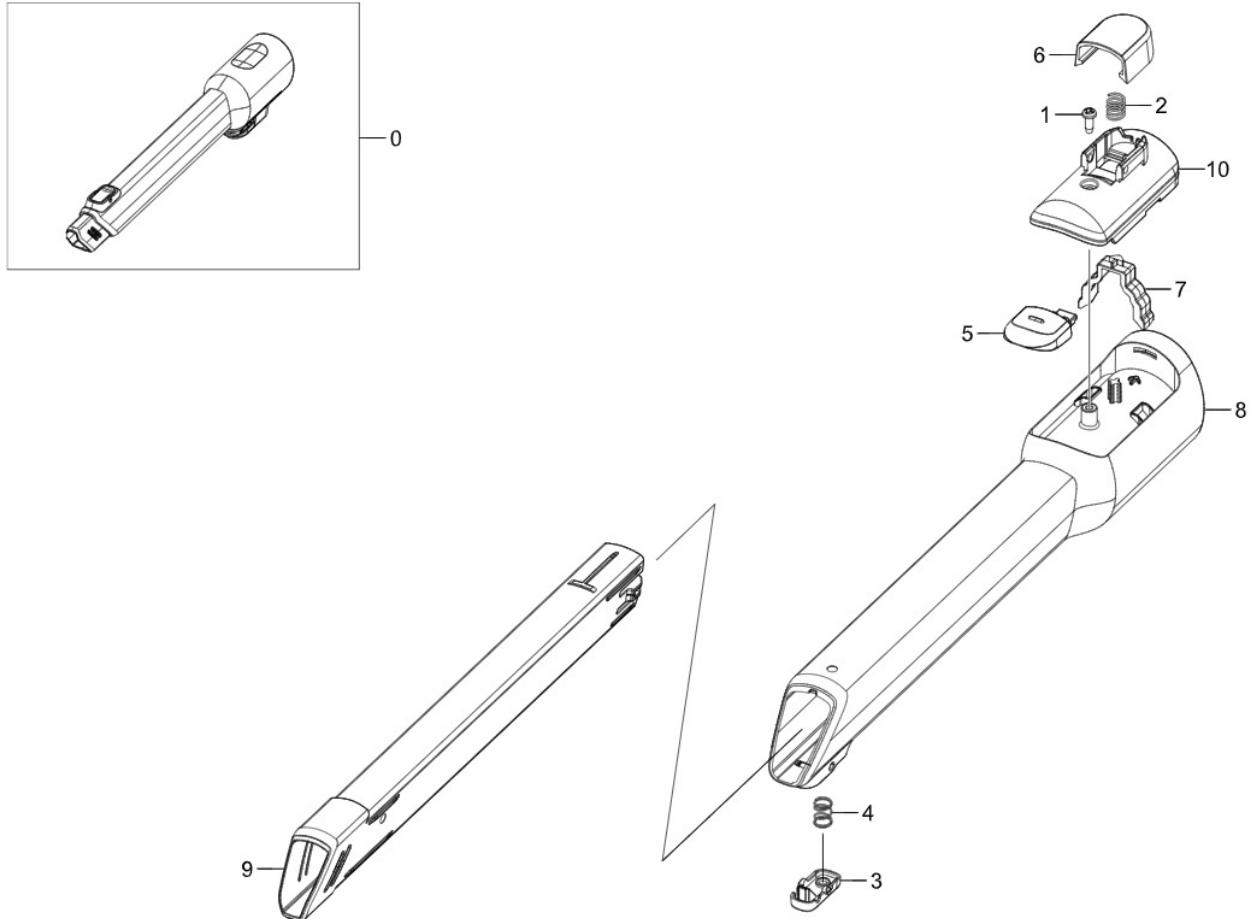
Parts List

No.	Lvl.	Loc.	Material Code	Description & Specification	SNA	Qty.
0	2		DJ98-01129G	ASSY ACCESSORY DUSTING; VS9500AL,DUSTING,	SA	1
1	3	RV005	6002-000630	SCREW-TAPPING; PH,+2S,M3,L8,ZPC(WHT),SWR	SNA	1
2	3		DJ61-00584A	SPRING ETC-CAP; VC-MBM940,HSWR,CD0.7,OD7.	SA	1
3	3		DJ64-01333F	BUTTON PUSH; VS9500AL,PC,BLACK CHROMETAL	SNA	1
4	3		DJ61-02508A	SPRING ETC COIL; VS8000ML,HSWR,CD0.5,ID6.	SA	1
5	3		DJ60-00057A	SPACER BRUSH; VS9000RL,WOOL,L26.5,T2,W5,R	SNA	1

1.9. Crevice Tool

Crevice Tool

Exploded View



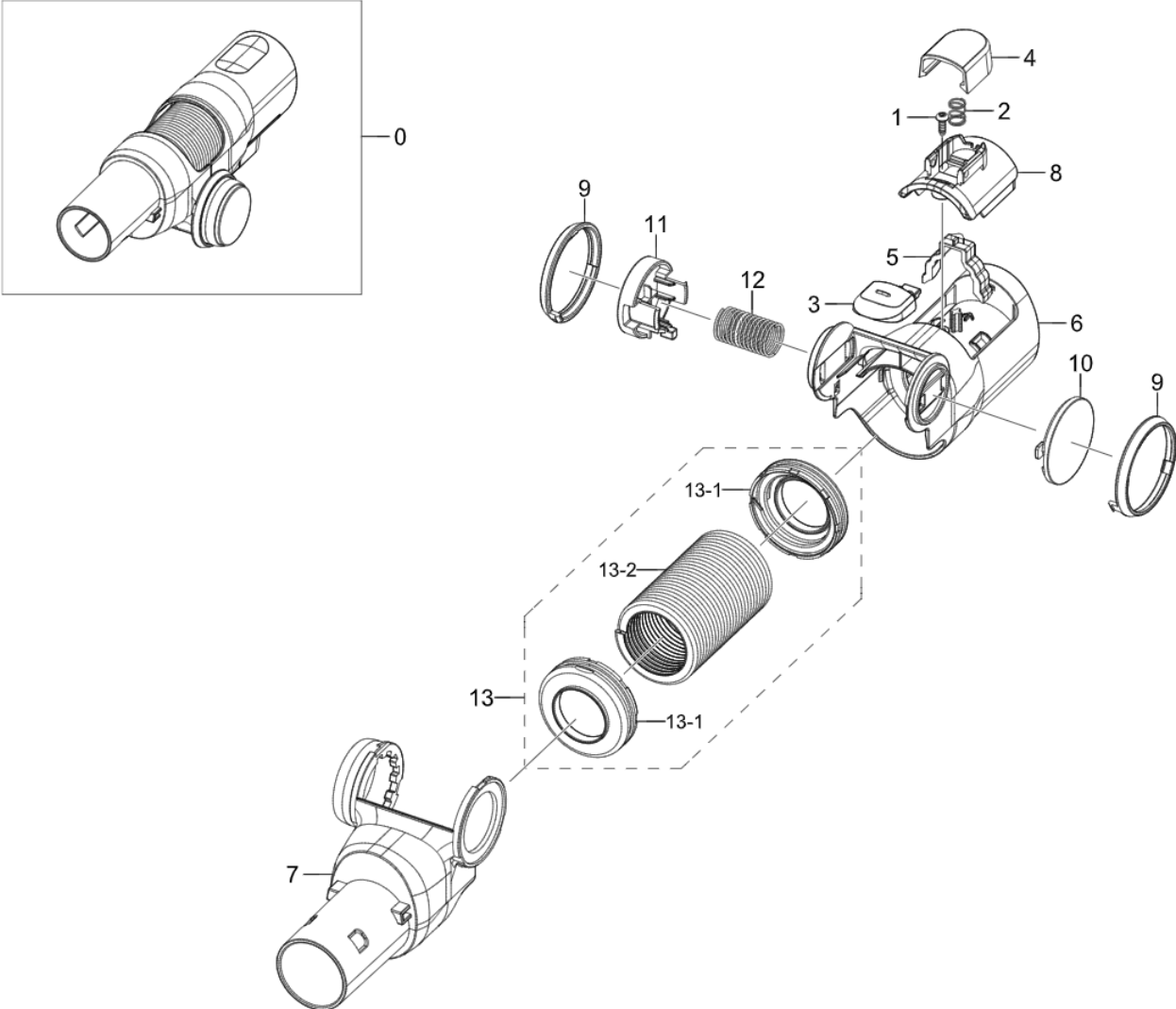
Parts List

No.	Lvl.	Loc.	Material Code	Description & Specification	SNA	Qty.
0	2		DJ98-01130G	ASSY ACCESSORY CREVICE; VS9500AL,CREVICE,	SA	1
1	3	RV005	6002-000630	SCREW-TAPPING; PH,+,2S,M3,L8,ZPC(WHT),SWR	SNA	1
2	3		DJ61-00584A	SPRING ETC-CAP; VC-MBM940,HSWR,CD0.7,OD7.	SA	1
3	3		DJ64-01333F	BUTTON PUSH; VS9500AL,PC,BLACK CHROMETAL	SNA	1
4	3		DJ61-02508A	SPRING ETC COIL; VS8000ML,HSWR,CD0.5,ID6.	SA	1
5	3		DJ64-01348L	KNOB PIPE; VS9500AL,PC,BLACK CHROMETAL SO	SNA	1

1.10. Multi Direction Tool

Multi Direction Tool

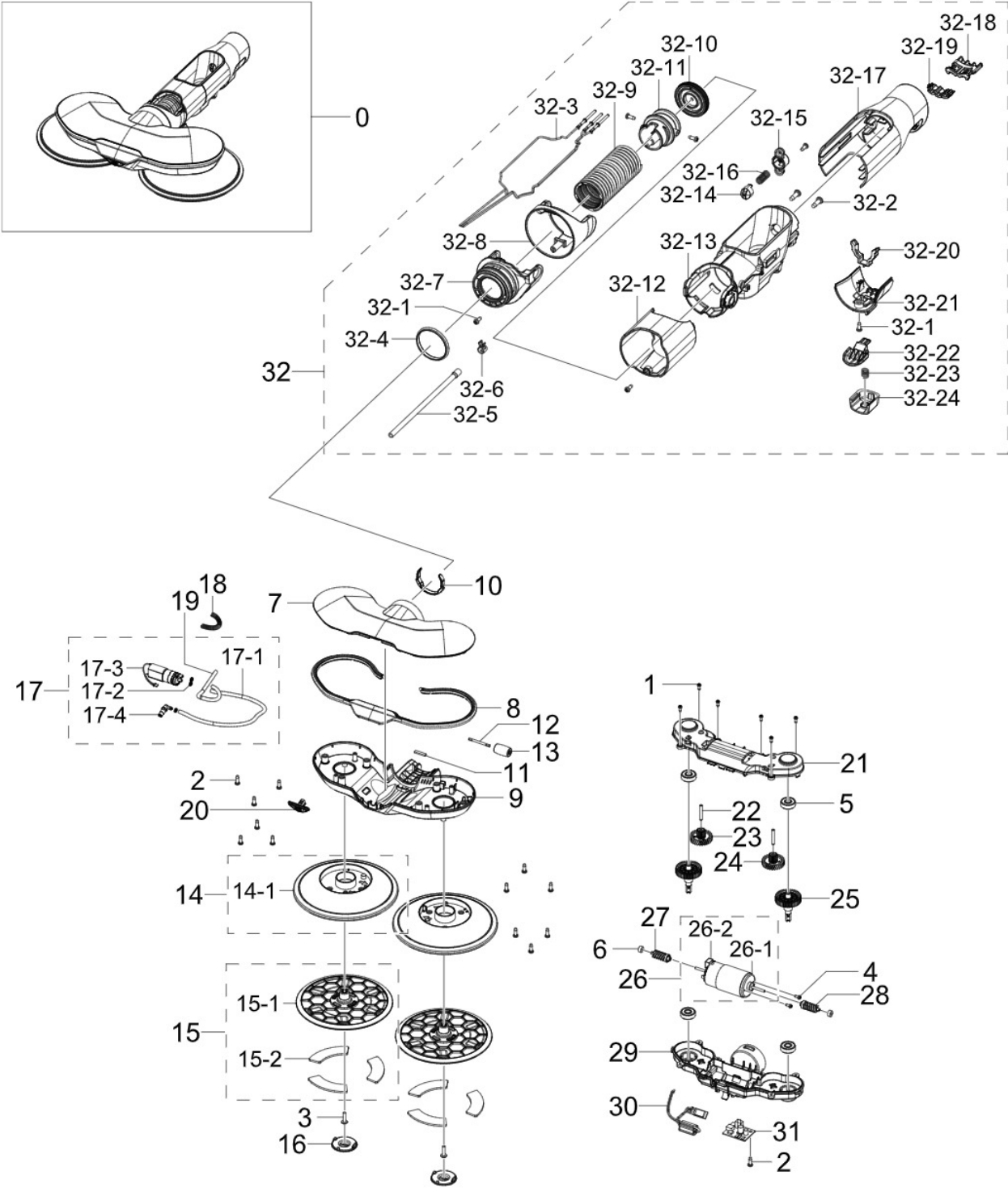
Exploded View



1.11. Assy Wet Brush

Assy Wet Brush

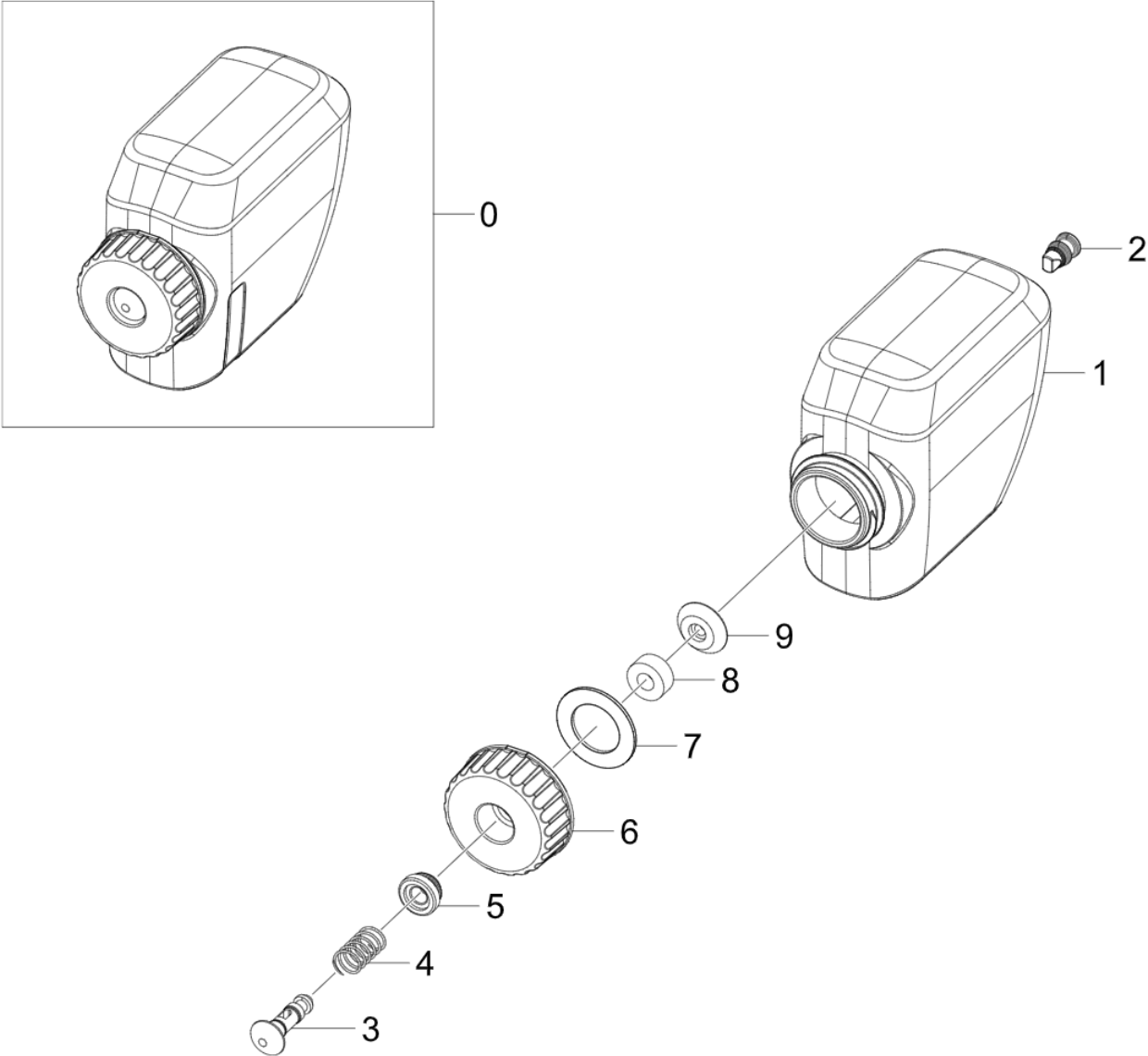
Exploded View



1.12. Assy Case Water

Assy Case Water

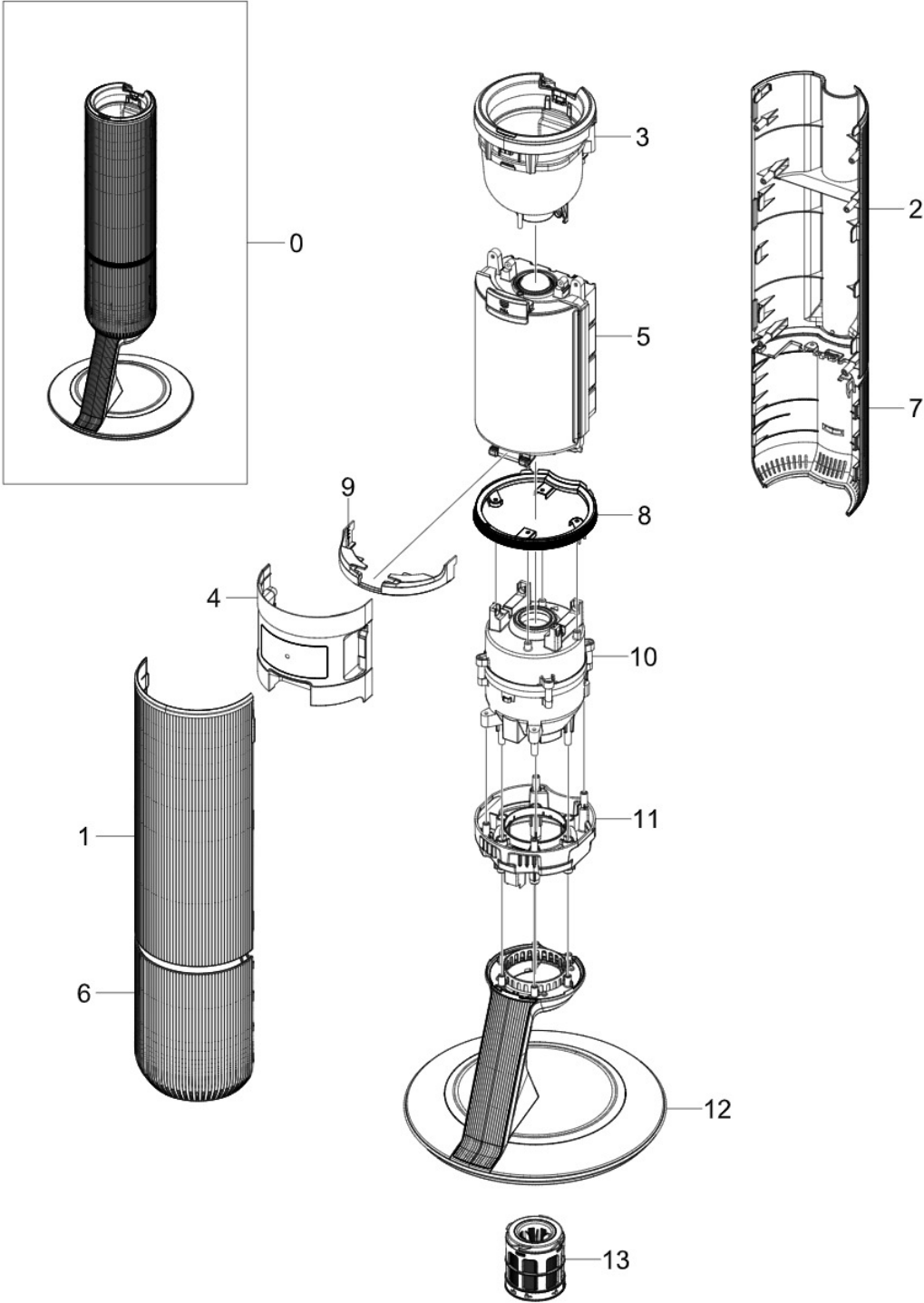
Exploded View



2. Assy Body

Assy Body

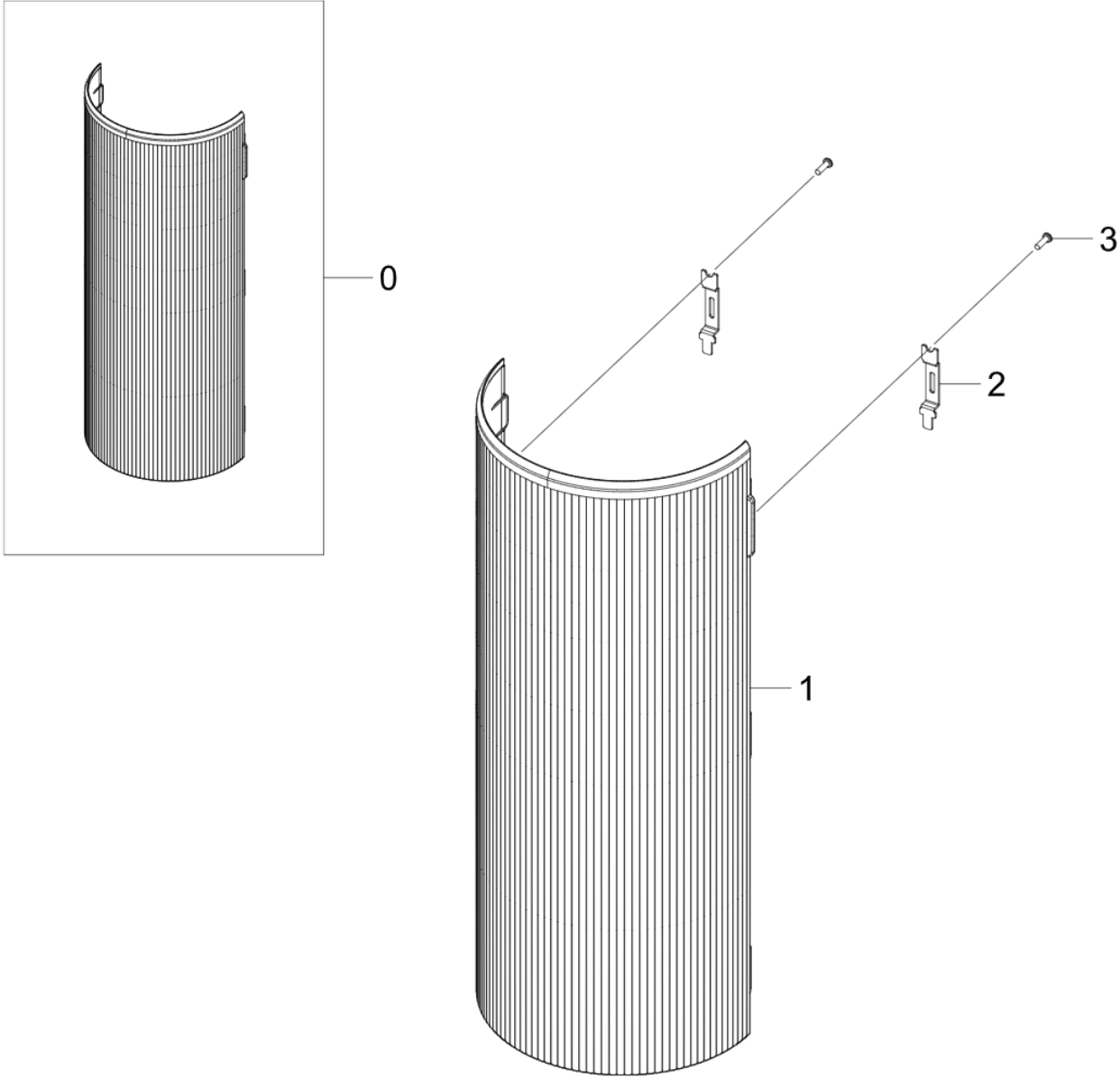
Exploded View



2.1. Assy Cover

Assy Cover

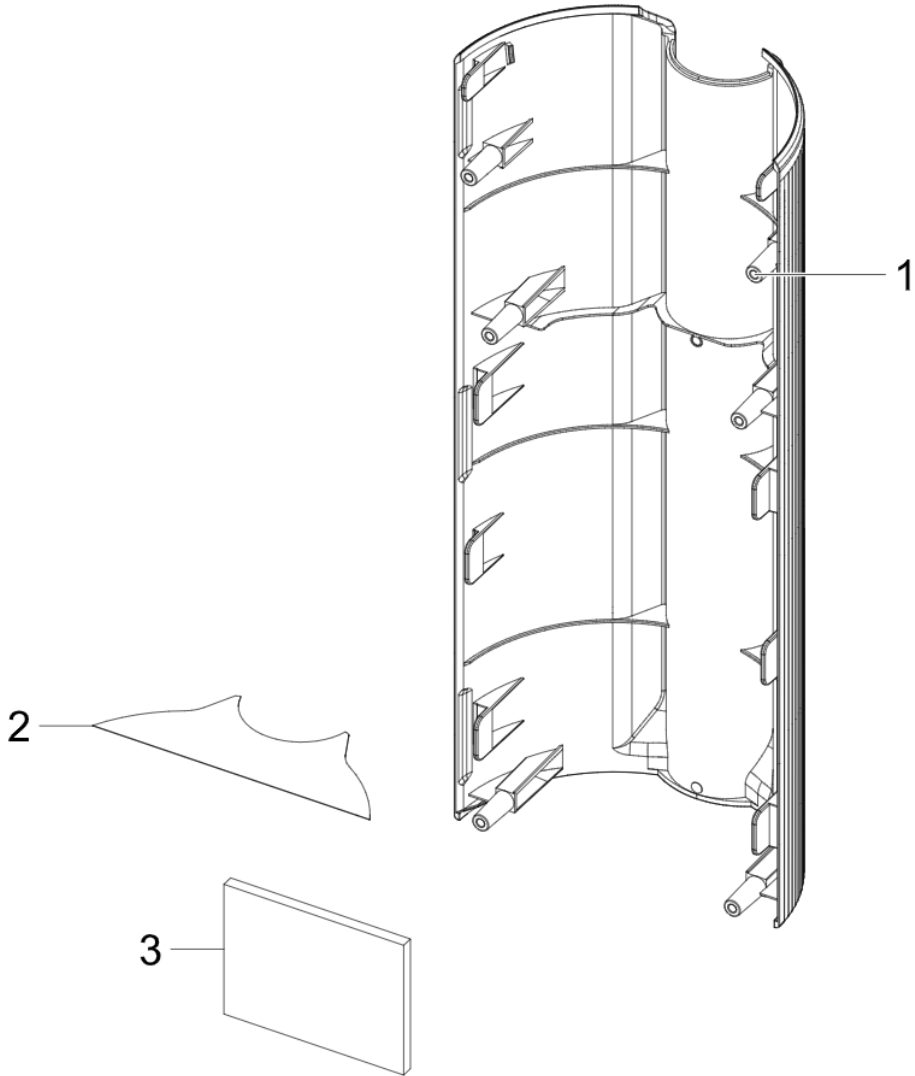
Exploded View



2.2. Frame Back

Frame Back

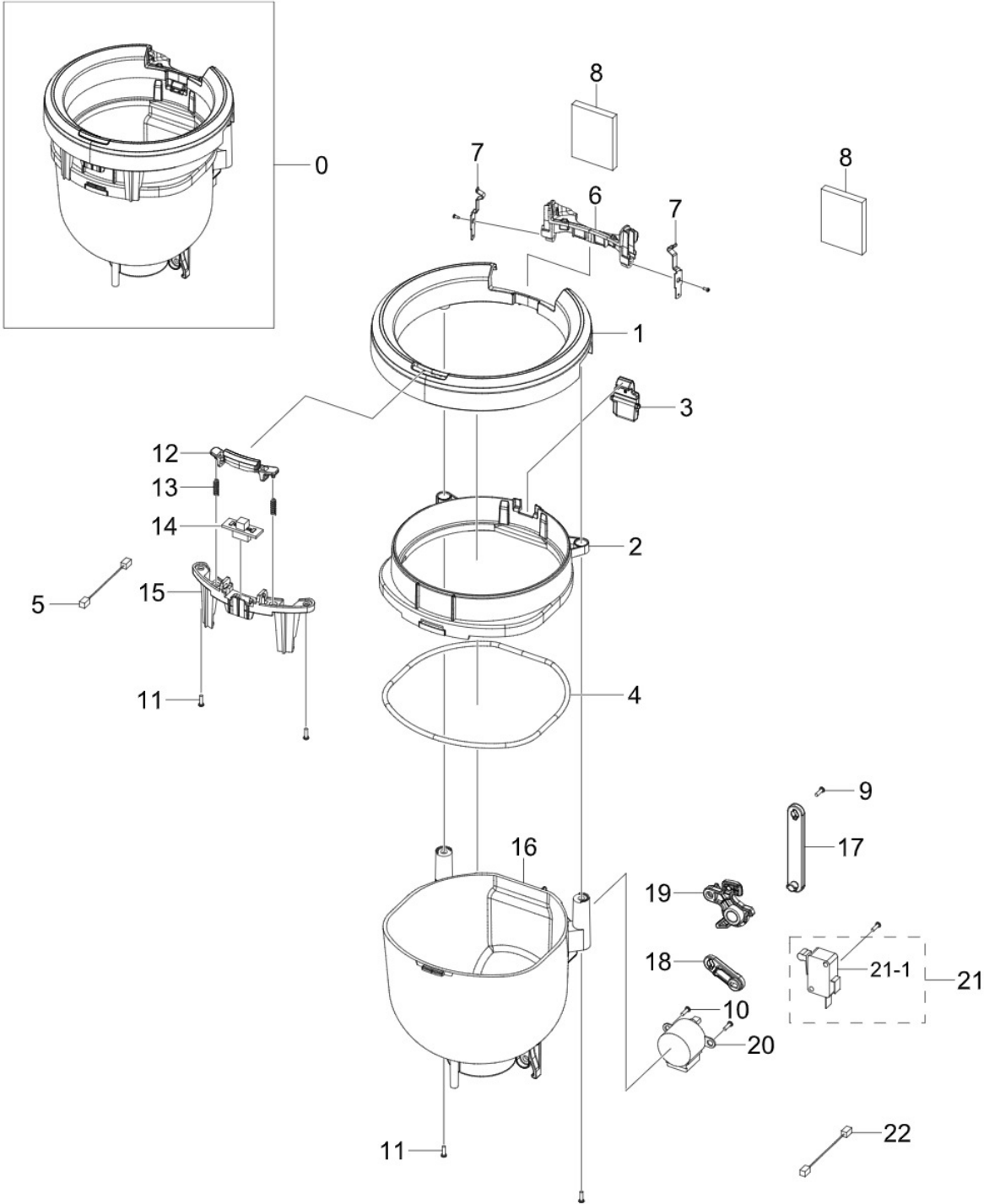
Exploded View



2.3. Assy Cover Dust

Assy Cover Dust

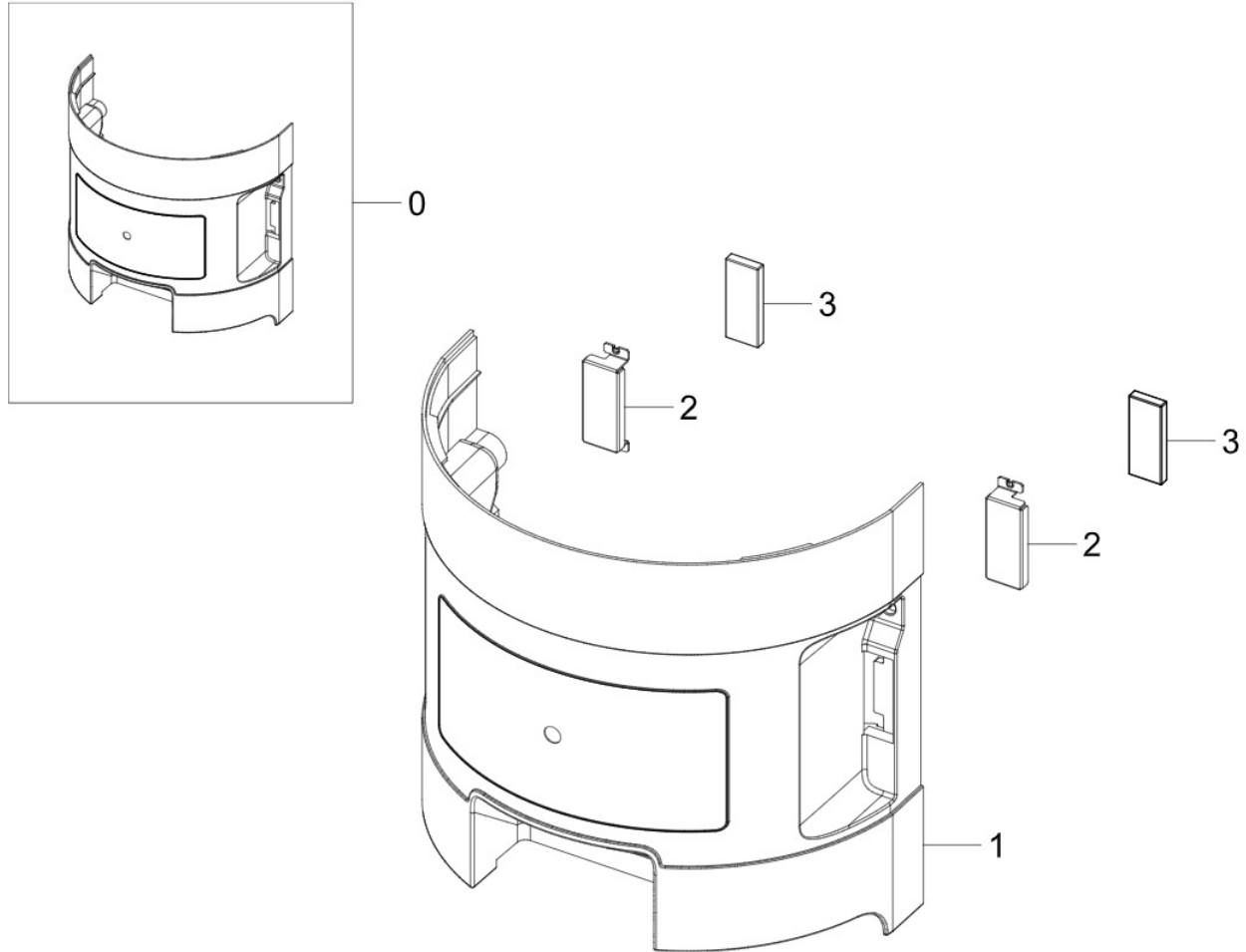
Exploded View



2.4. Assy Cover Front

Assy Cover Front

Exploded View



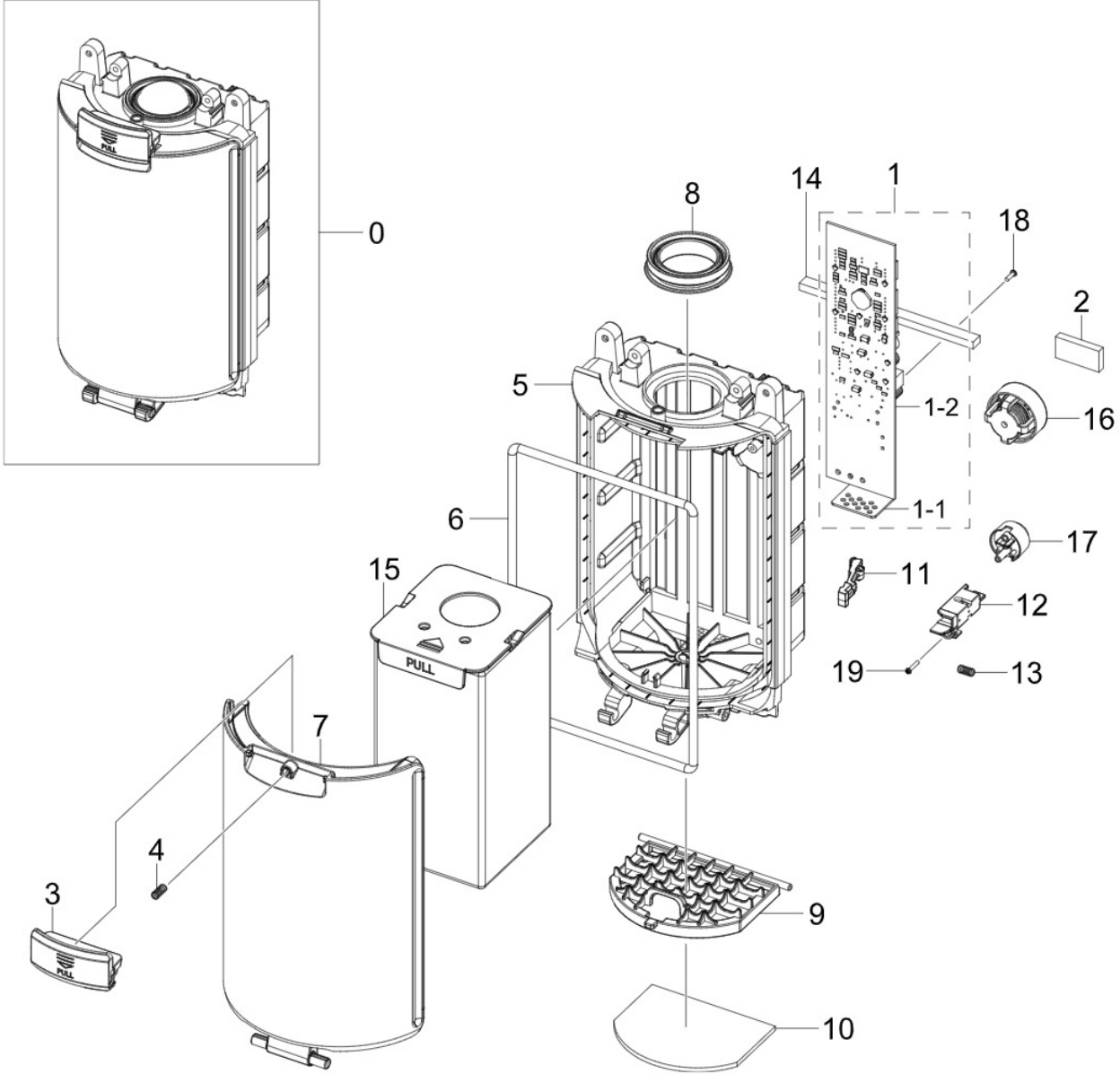
Parts List

No.	Lvl.	Loc.	Material Code	Description & Specification	SNA	Qty.
0	4	RB029	DJ97-03130A	ASSY COVER FRONT; VS9500A,Clean Station	SA	1
1	5	RB108	DJ63-01898A	COVER FRONT; VS9500,ABS,T2,W80,L80,CLEAR	SNA	1
2	5		DJ61-02988A	CASE MAGNET; VS9500A,GI-SGCC,T0.5,ELECTRO	SNA	2
3	5		DJ61-02995A	MAGNET NEODYMIUM; VS9500A,Nd,T3,W10,L25,C	SNA	2

2.5. Assy Body Dust

Assy Body Dust

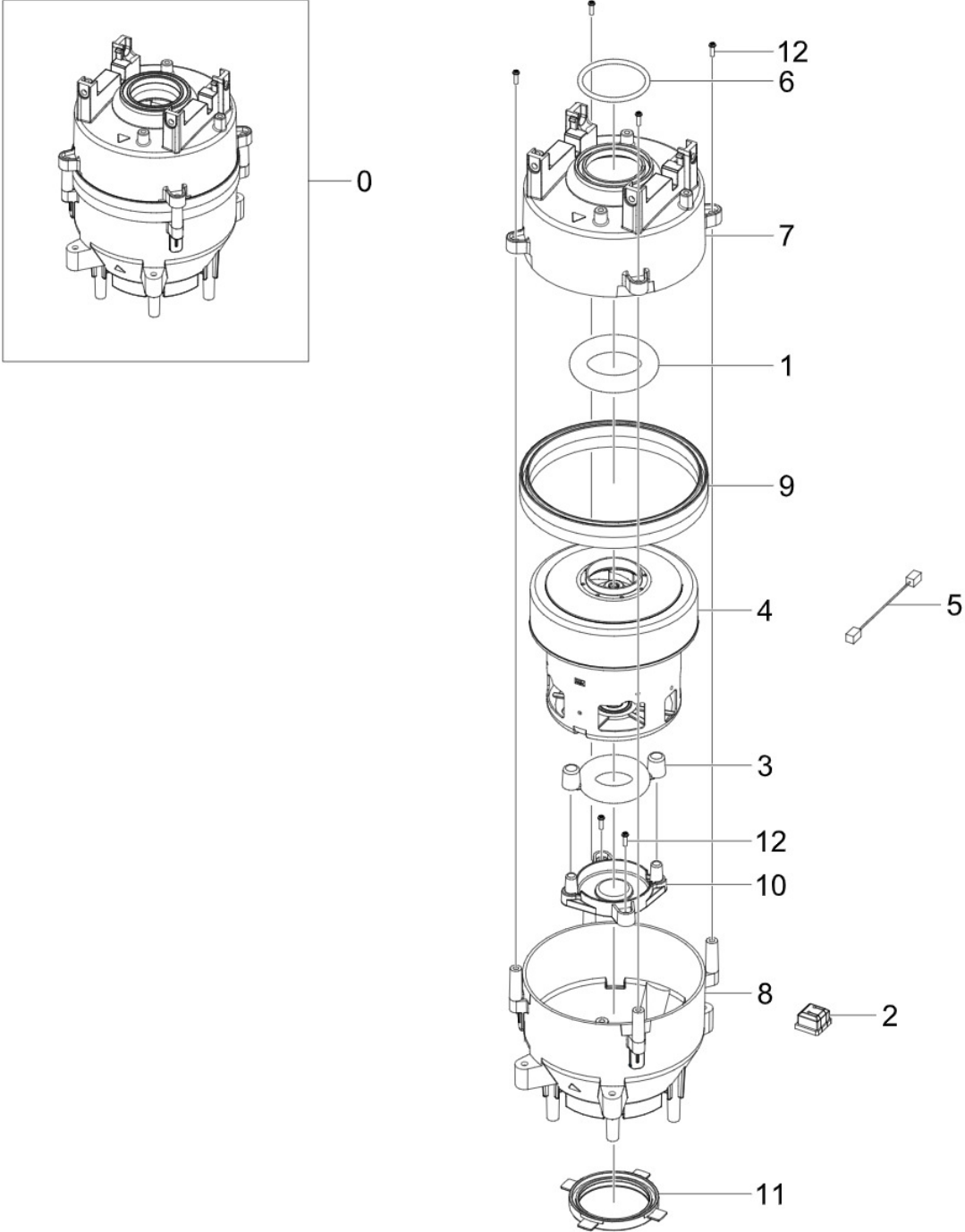
Exploded View



2.6. Assy Motor Parts_2

Assy Motor Parts_2

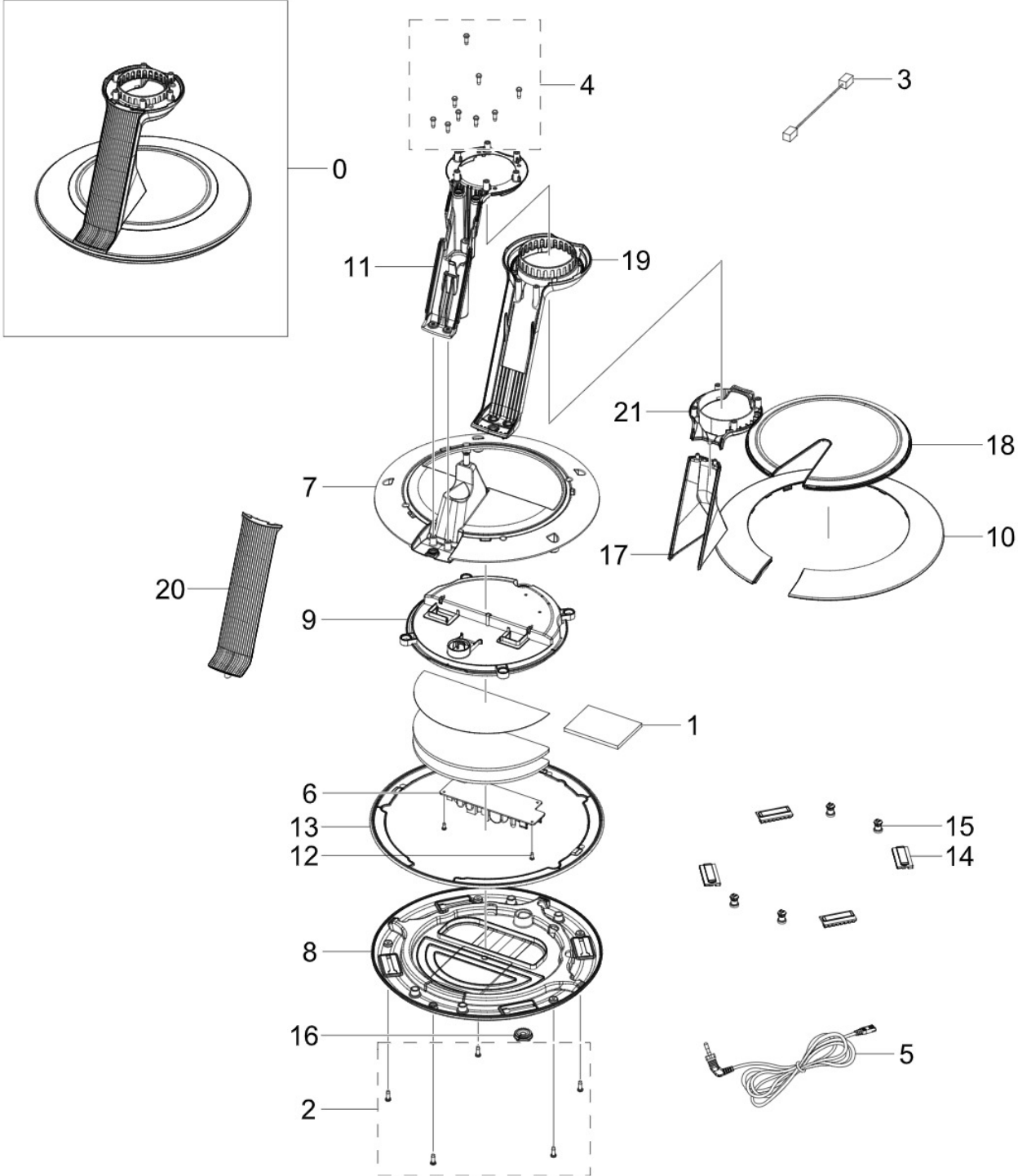
Exploded View



2.7. Assy Body Base

Assy Body Base

Exploded View



2.9. Assy Accessory Kit

Assy Accessory Kit

Exploded View

