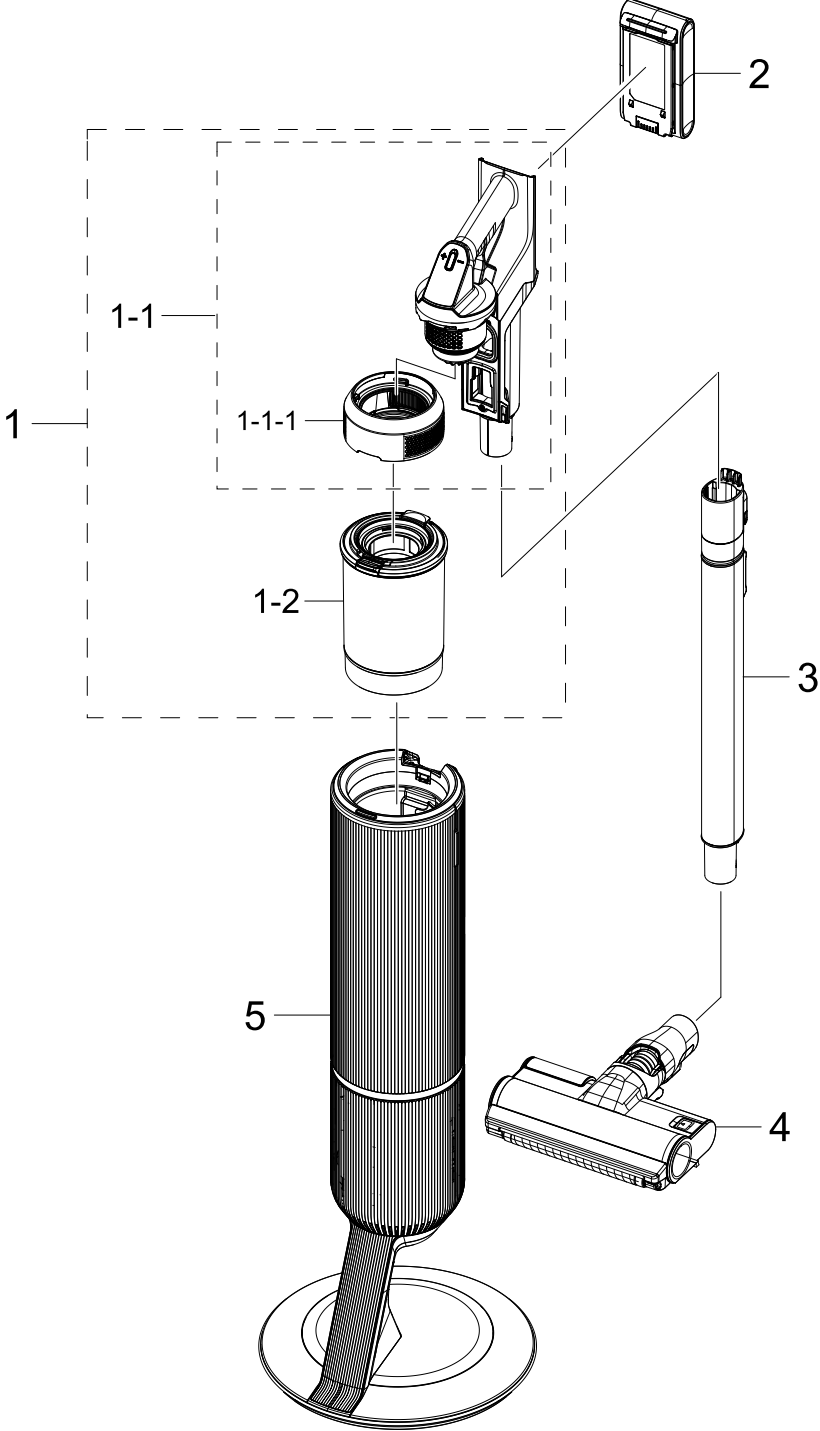
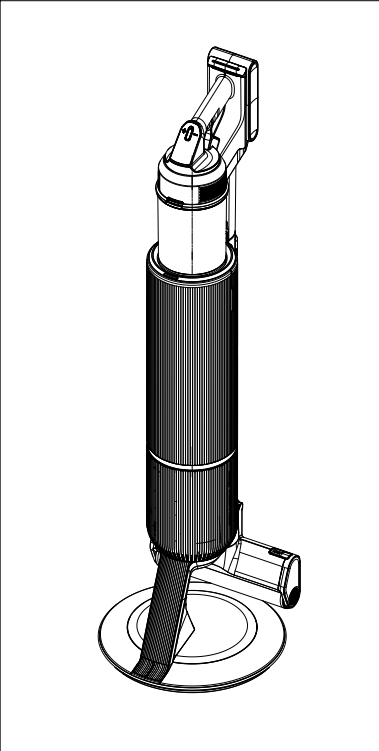


1. Main Body

Main Body

Exploded View



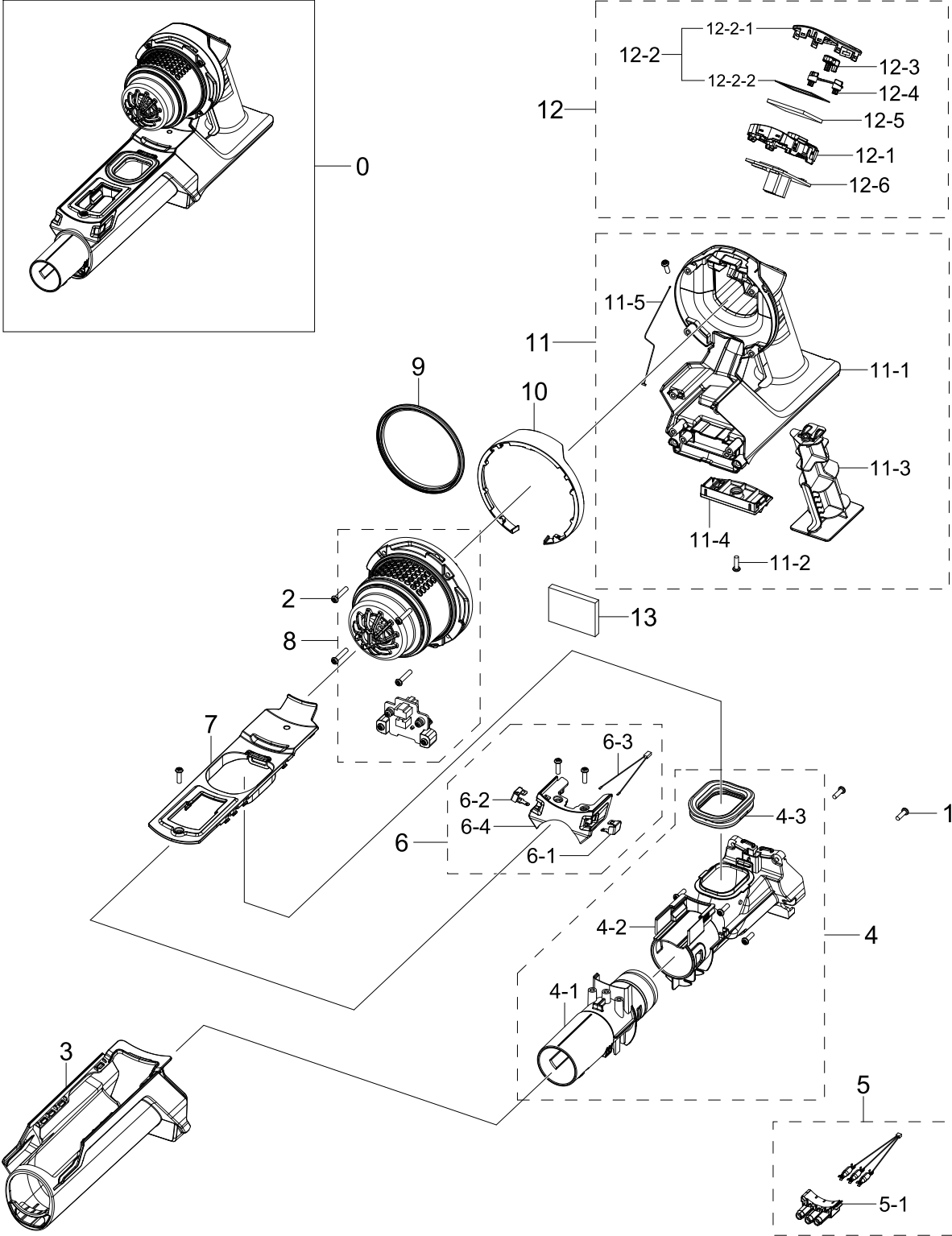
Parts List

No.	Lvl.	Loc.	Material Code	Description & Specification	SNA	Qty.
1	1		DJ97-03093G	ASSY HANDY; VS95000AL,ASSY HANDY,MISTY WH	SNA	1
1-1	2	RB001	DJ97-03095G	ASSY BODY; VS9500AL,BLACK CHROMETAL,HEPA,	SNA	1
1-1-1	3	RB037	DJ97-03099G	ASSY GRILLE BACK; VS9500AL,MISTY WHITE SO	SNA	1
1-2	2		DJ97-03104G	ASSY CYCLONE; VS9500AL,MISTY WHITE SOLID	SNA	1
2	2		DJ96-00242B	ASSY BATTERY LI IB; Li-ion,25.2V,2200mAh,	SA	1
3	2		DJ97-03054D	ASSY PIPE; VS9500,AL,EXP,BUCKLE,BLACK CHR	SA	1
4	2		DJ97-03151A	ASSY BRUSH; VS9500AL,BLACK CH-METAL SOLID	SA	1
5	2		DJ98-01209C	ASSY ACCESSORY; VS9500AL,MISTY WHITE,EXP,	SNA	1

1.1. Assy Body Parts

Assy Body Parts

Exploded View



Parts List

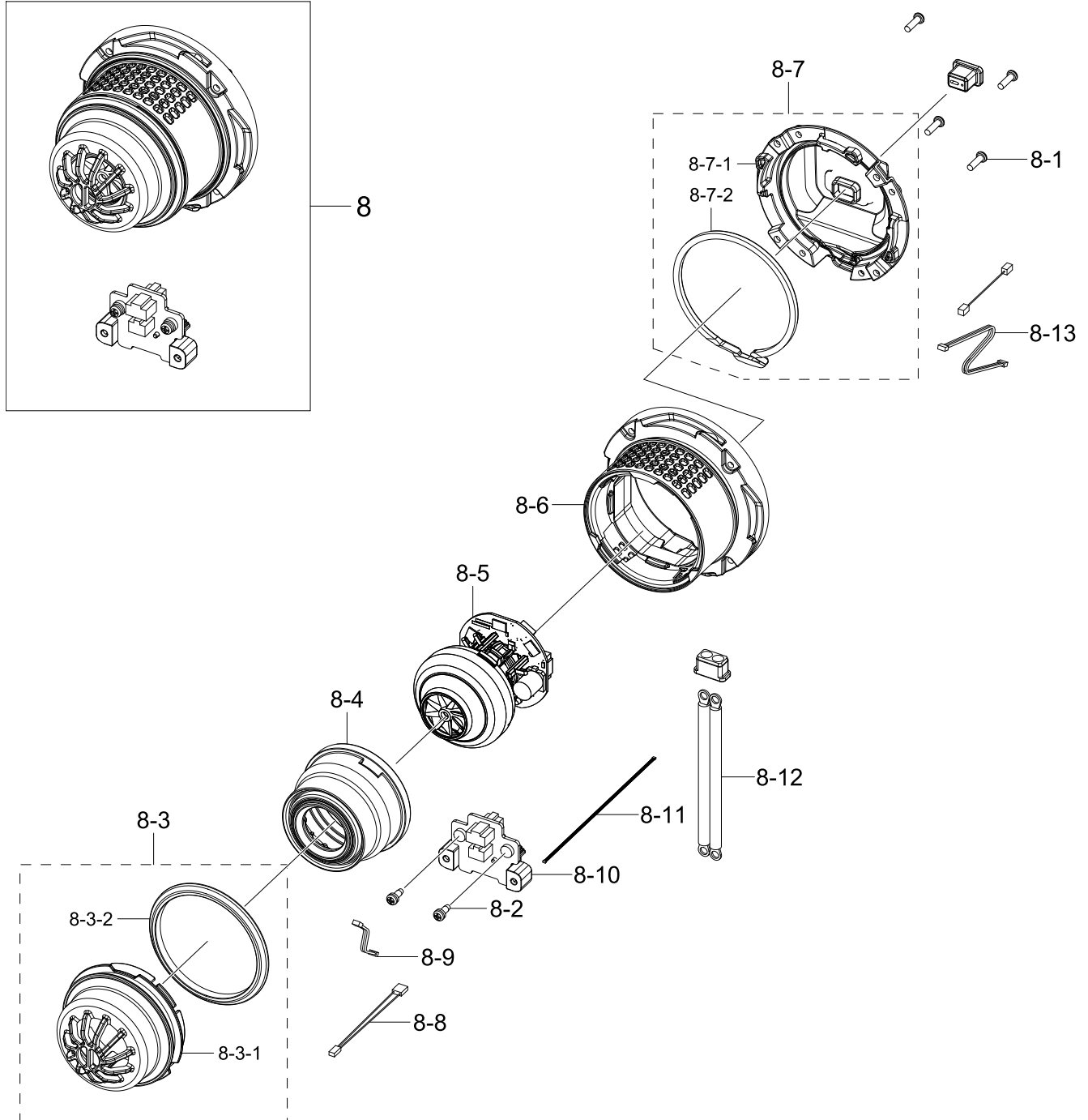
No.	Lvl.	Loc.	Material Code	Description & Specification	SNA	Qty.
0	2	RB001	DJ97-03095G	ASSY BODY; VS9500AL,BLACK CHROMETAL,HEPA,	SNA	1
1	3	RV005	6003-000159	SCREW-TAPTYPE; PH,+,B,M3,L10,ZPC(BLK),SWR	SNA	11
2	3	RV005	6002-000488	SCREW-TAPPING; PH,+,2S,M3,L16,ZPC(WHT),SW	SNA	4
3	3		DJ61-02938B	FRAME FRONT; VS9500,PC+ABS,BLACK CHROMETA	SA	1
4	3		DJ97-03101A	ASSY GUIDE AIR; VS9500,EBONY BLACK	SNA	1
4-1	4		DJ62-00502A	PIPE CONNECTOR; VS9500,PC,ID30.6,OD33.8,T	SA	1
4-2	4		DJ63-01653A	GASKET DUCT; VS9000NL,TPV,TPV-45VSH-45A,T	SA	1
4-3	4		DJ61-02939A	GUIDE AIR; VS9500,PC+ABS,T1.2,L146,V-1,HI	SA	1
5	3		DJ39-00338A	WIRE HARNESS-TERMINAL; 3P,BRUSH,UL1007,#2	SA	1
5-1	4		DJ61-02555A	HOLDER TERMINAL; VS9000RL,PC,L25.5,EBONY	SNA	1
6	3		DJ97-03096A	ASSY HOLDER; VS9500,BLACK CHROMETAL	SA	1
6-1	4		DJ37-00025A	TERMINAL; C2680,T0.5,Left	SNA	1
6-2	4		DJ37-00026A	TERMINAL; C2680,T0.5,Right	SNA	1
6-3	4		DJ39-00339A	WIRE HARNESS-TERMINAL; 2P,CHARGER,UL1061,	SNA	1
6-4	4		DJ61-02940A	HOLDER ETC; VS9500,PC,T1.2,L41.4,EBONY BL	SNA	1
7	3	RB108	DJ63-01866A	COVER FRONT; VS9500,ABS,T1.2,EBONY BLACK,	SA	1
8	3		DJ94-01024A	ASSY MOTOR PARTS; VS9500,SAMSUNG	SA	1
9	3		DJ63-01870A	GASKET ETC; VS9500,PVC,T1,NEUTRAL GRAY,NP	SA	1
10	3		DJ64-01445B	DECORATION COVER; VS9500AL,ABS,T1.2,EBONY	SA	1
11	3	RB034	DJ97-03092A	ASSY FRAME; VS9500,BLACK CHROMETAL	SA	1
11-1	4		DJ61-02942A	FRAME; VS9500,PC,BLACK CHROMETAL,T1.2,W68	SA	1
11-2	4	RV005	6003-000159	SCREW-TAPTYPE; PH,+,B,M3,L10,ZPC(BLK),SWR	SNA	16
11-3	4		DJ67-00898A	CAP HANDLE; VS9500,PC,T1.2,ES3020,COTTA B	SA	1
11-4	4		DJ61-02943A	HOLDER LOCK; VS9500,ABS,T1.2,L25.6,EBONY	SA	1
11-5	4		DJ39-00341A	WIRE HARNESS-TERMINAL; 1P,DISCHARGE,UL106	SA	1

No.	Lvl.	Loc.	Material Code	Description & Specification	SNA	Qty.
12	3	RB042	DJ97-03100D	ASSY PANEL CONTROL; VS9500AL,BRASS METAL,	SA	1
12-1	4		DJ61-02944D	HOLDER PBA; VS9500AL,ABS,T1.2,L68.2,D36.7	SNA	1
12-2	4	RB025	DJ97-03098A	ASSY COVER DISPLAY; VS9500,INLAY	SA	1
12-2-1	5		DJ64-01447A	WINDOW DISPLAY; VS9500,PC,3022R,DARK GLAS	SNA	1
12-2-2	5		DJ64-01454A	INLAY DISPLAY; VS9500A,PC,T0.2,W34.4,L65.	SNA	1
12-3	4		DJ64-01448A	BUTTON PUSH; VS9500,ABS,EBONY BLACK,PANEL	SA	1
12-4	4		DJ64-01446D	BUTTON CONTROL; VS9500AL,PC,V-0,BRASS MET	SNA	1
12-5	4		DC07-00152A	LCD; 31.0x35.3mm,-20to+70C,3.3V,-30to+80C	SNA	1
12-6	4		DJ92-00221B	ASSY PBA MODULE; LCD DISPLAY CONTROLLER,V	SA	1
13	3		DJ63-01680A	FILTER SAFETY; VS9000RL,T5,W30,L40,EBONY	SA	1

1.2. Assy Motor Parts

Assy Motor Parts

Exploded View



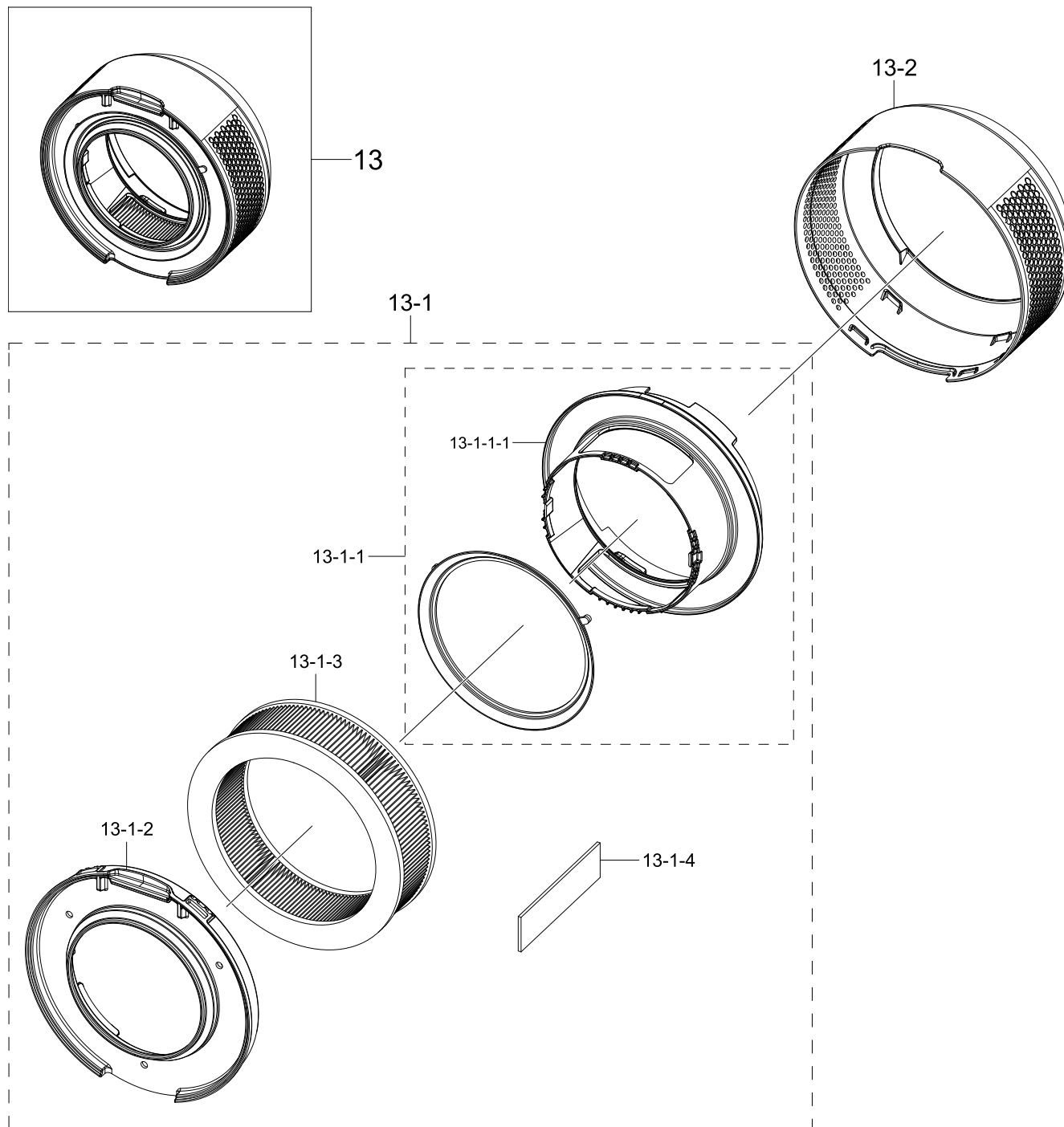
Parts List

No.	Lvl.	Loc.	Material Code	Description & Specification	SNA	Qty.
8	3		DJ94-01024A	ASSY MOTOR PARTS; VS9500,SAMSUNG	SA	1
8-1	4	RV005	6003-000159	SCREW-TAPTYPE; PH,+,B,M3,L10,ZPC(BLK),SWR	SNA	4
8-2	4	RV005	6006-000130	SCREW-MACHINE; SWRCH18A,ZPC(WHT),L8,M3,PH	SNA	4
8-3	4		DJ97-03103A	ASSY GRILLE; VS9500,BLACK	SNA	1
8-3-1	5		DJ67-00897A	CAP GRILLE; VS9500,ABS,HG-0760GP,EBONY BL	SNA	1
8-3-2	5		DJ63-01871A	GASKET GRILLE; VS9500,PVC,T1,NEUTRAL GRAY	SNA	1
8-4	4		DJ63-01872A	CUSHION MOTOR; VS9500,NBR,BLACK,Hardness	SNA	1
8-5	4		DJ31-00178A	MOTOR BLDC FAN; SGEC,135kRPM,25.2V,23A,58	SNA	1
8-6	4		DJ61-02941A	HOLDER MOTOR; VS9500,ABS,L59.3,EBONY BLAC	SNA	1
8-7	4		DJ97-03094A	ASSY BASE CASE MOTOR; VS9500,EBONY BLACK	SNA	1
8-7-1	5		DJ61-02926A	BASE CASE MOTOR; VS9500,ABS,EBONY BLACK,V	SNA	1
8-7-2	5	RB148	DJ63-01881A	GASKET BASE; VS9500,EVA FOAM,T3,W3,L115,B	SNA	1
8-8	4		DJ39-00340A	WIRE HARNESS-PBA; 2P,CHARGER,UL1061,#24,V	SNA	1
8-9	4		DJ32-00022B	SENSOR MAG; TMR1032,5V,TMR,SMH200-03H	SA	1
8-10	4		DJ92-00220A	ASSY PBA MODULE; POWER,HOLDER TERMINAL,VS	SA	1
8-11	4		DJ39-00337A	WIRE HARNESS-PBA; 7P,RIBBON CABLES,UL1061	SNA	1
8-12	4		DJ39-00343A	WIRE HARNESS-MOTOR; 2P,BLDC MOTOR,UL3530,	SNA	1
8-13	4		DJ39-00342A	WIRE HARNESS-PBA; 3P,BLDC MOTOR,UL3398,#2	SNA	1

1.3. Assy Grille Back Parts

Assy Grille Back Parts

Exploded View



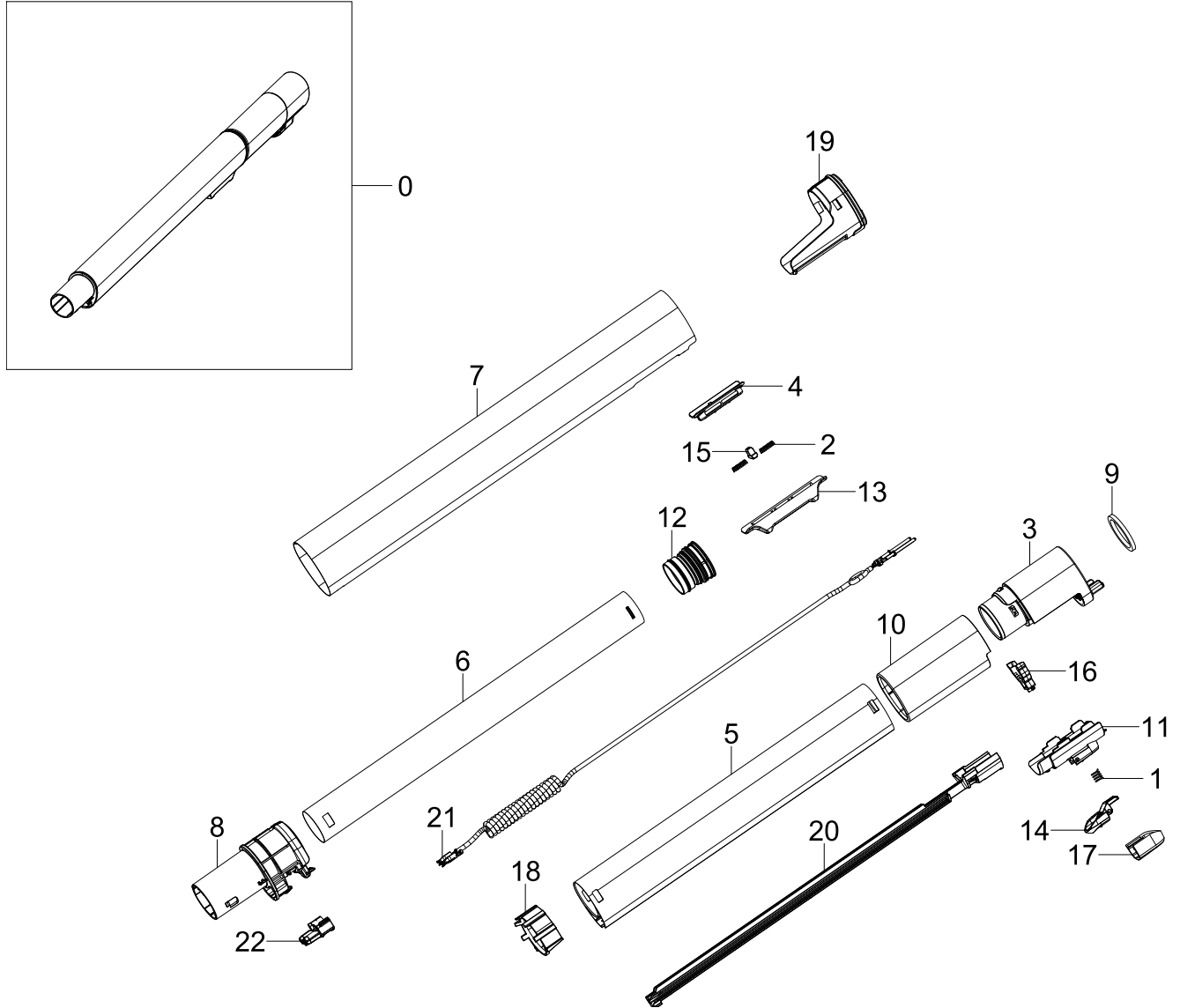
Parts List

No.	Lvl.	Loc.	Material Code	Description & Specification	SNA	Qty.
13	3	RB037	DJ97-03099G	ASSY GRILLE BACK; VS9500AL,MISTY WHITE SO	SNA	1
13-1	4	RA023	DJ97-03105A	ASSY FILTER OUTLET; VS9500,HEPA,EBONY BLA	SNA	1
13-1-1	5		DJ63-01873A	GASKET HOLDER; VS9500,TPE,OR3000PC,T0.7,B	SNA	1
13-1-1-1	6		DJ61-02945A	HOLDER FILTER-UP; VS9500,PC+ABS,L9.7,D105	SNA	1
13-1-2	5		DJ61-02946A	HOLDER FILTER-LOW; VS9500,ABS,L43,D102,EB	SNA	1
13-1-3	5		DJ63-01877A	FILTER OUTLET; VS9500,T10.5,W27,WHITE,PTF	SNA	1
13-1-4	5		DJ63-01882A	ABSORBER ETC; VS9500,PET,T1.2,WHITE,CB150	SNA	1
13-2	4	RB149	DJ64-01450G	GRILLE BACK; VS9500AL,PC+ABS,HB,MISTY WHI	SA	1

1.4. Assy Pipe Parts

Assy Pipe Parts

Exploded View



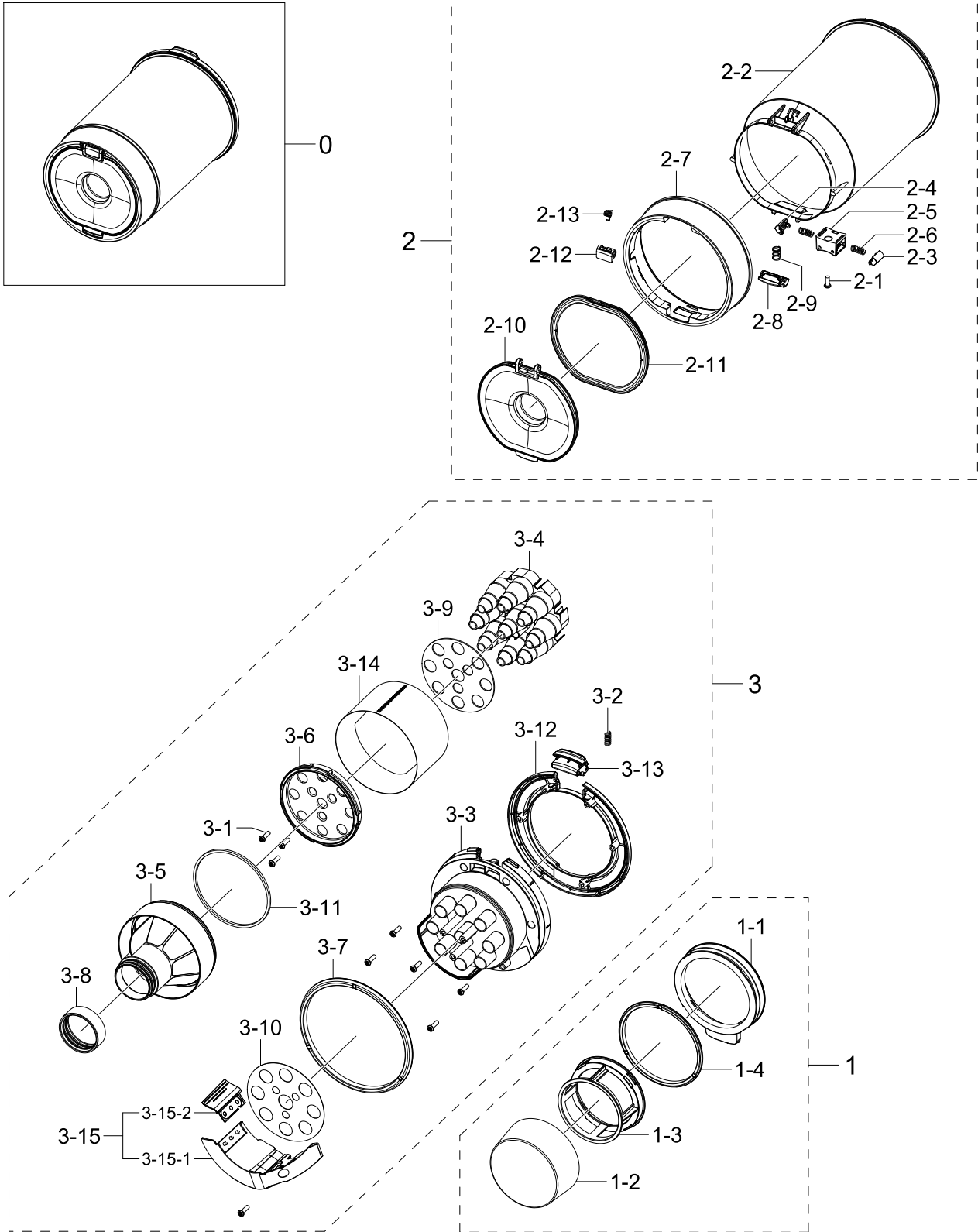
Parts List

No.	Lvl.	Loc.	Material Code	Description & Specification	SNA	Qty.
0	2		DJ97-03054D	ASSY PIPE; VS9500,AL,EXP,BUCKLE,BLACK CHR	SA	1
1	3		DJ61-00584A	SPRING ETC-CAP; VC-MBM940,HSWR,CD0.7,OD7.	SA	1
2	3		DJ61-02858A	SPRING ETC COIL; VS9500,STS304,0.5mm,ID2.	SNA	2
3	3		DJ61-02841C	HOLDER PIPE; VS9500,PC,L87,BLACK CHROMETA	SNA	1
4	3		DJ61-02839A	HOLDER BUTTON; VS9500,PC,L49,GRAY TR-P,V-	SNA	1
5	3		DJ62-00494C	PIPE INNER; VS9500,Al,T0.6,NOCTURNE BLACK	SNA	1
6	3		DJ62-00496A	PIPE INNER; VS9500,Al,ID29.4,OD30.1,T0.35	SNA	1
7	3		DJ62-00495D	PIPE OUTER; VS9500,Al,T0.6,NOCTURNE BLACK	SNA	1
8	3		DJ62-00493A	PIPE CONNECTOR; VS9500,PC,GRAY TR-P,3022R	SNA	1
9	3		DJ63-01618A	GASKET ETC; VS8000ML,EPDM,BLACK,PET FILM,	SNA	1
10	3		DJ63-01929A	COVER CONNECTOR; VS9500_GLOBAL,PC,V-0,BLA	SNA	1
11	3		DJ63-01795D	COVER HOLDER; VS9500AL,PC,T1.2,V-0,BLACK	SNA	1
12	3		DJ63-01794A	GASKET PIPE; VS9500,LLDPE,XP-5400,NATURAL	SNA	1
13	3		DJ64-01417D	BUTTON SLIDE; VS9500,PC,V-0,BLACK CHROMET	SNA	1
14	3		DJ64-01348L	KNOB PIPE; VS9500AL,PC,BLACK CHROMETAL SO	SNA	1
15	3		DJ61-02836A	FIXER; VS9500,POM,NATURAL,K300	SNA	1
16	3		DJ66-00823A	LEVER RELEASE; VS9000NL,PC,3022R,GRAY TR-	SNA	1
17	3		DJ67-00828L	CAP KNOB; VS9500AL,PC,SA-1220,BLACK CHROM	SNA	1
18	3		DJ67-00877A	CAP ETC; VS9500,PC,V-2,3022R,GRAY TR-P	SNA	1
19	3		DJ67-00876D	CAP PIPE; VS9500,PC,V-0,HN-1064I,BLACK CH	SNA	1
20	3		DJ61-02837D	HOLDER WIRE; VS9500,PC,L348,BLACK CHROMET	SNA	1
21	3		DJ39-00335A	WIRE HARNESS-TERMINAL; 3P,UL20549,#22,VS9	SNA	1
22	3		DJ61-02555A	HOLDER TERMINAL; VS9000RL,PC,L25.5,EBONY	SNA	1

1.5. Assy Cyclone Parts

Assy Cyclone Parts

Exploded View



Parts List

No.	Lvl.	Loc.	Material Code	Description & Specification	SNA	Qty.
0	2		DJ97-03104G	ASSY CYCLONE; VS9500AL,MISTY WHITE SOLID	SA	1
1	3		DJ97-03090A	ASSY FILTER; VS9500,MICRO,DEEP BLUE	SA	1
1-1	4		DJ61-02937A	HOLDER FILTER; VS9500,ABS,T1.2,L93.9,DEEP	SNA	1
1-2	4		DJ63-01678B	FILTER CYCLONE; VS9000RL,SOFT SKY BLUE,FI	SNA	1
1-3	4		DJ61-02927A	SUPPORT; VS9500,ABS,T1.2,W68.5,L31.7,HG-0	SNA	1
1-4	4		DJ63-01868A	GASKET HOLDER; VS9500,PVC,T1.2,NEUTRAL GR	SNA	1
2	3	RL005	DJ97-03097G	ASSY CASE; VS9500AL,MISTY WHITE	SA	1
2-1	4	RV005	6002-001262	SCREW-TAPTYPE; PH,+,B,M3,L8,PASS,STS304	SNA	1
2-2	4		DJ61-02929A	CASE CYCLONE; VS9500,PC,T1.2,GRAY TR-P,30	SNA	1
2-3	4		DJ61-02928A	HOLDER CYCLONE; VS9500,ABS,T1.2,L11.7,EBO	SNA	1
2-4	4		DJ61-02951A	HOLDER CYCLONE; VS9500,ABS,T1.2,L11.7,EBO	SNA	1
2-5	4		DJ61-02933A	HOLDER BUTTON; VS9500,PC,T1.2,L16.1,BLACK	SNA	1
2-6	4		DJ61-02956A	SPRING ETC COIL; VS9500,STS304,0.6mm,ID3.	SNA	2
2-7	4		DJ64-01442G	DECORATION CYCLONE-LOW; VS9500AL,ABS,T1.2	SA	1
2-8	4		DJ66-00902A	LEVER CYCLONE; VS9500,ABS,HG-0760GP,NEUTR	SNA	1
2-9	4		DJ61-02991A	SPRING ETC COIL; VS9500A,STS304,0.6mm,ID6	SNA	1
2-10	4		DJ63-01864A	COVER CYCLONE-LOW; VS9500,PC,T1.5,GRAY TR	SNA	1
2-11	4		DJ63-01865A	GASKET COVER CYCLONE; VS9500,PVC,T1.2,NEU	SA	1
2-12	4		DJ61-02934B	HOLDER ETC; VS9500,PC,T1.2,L14.7,COTTA BL	SNA	1
2-13	4		DJ61-02955A	SPRING ETC; VS9500,STS304,0.6mm,ID3.2,OD4	SNA	1
3	3		DJ97-03091D	ASSY CYCLONE GRILLE; VS9500AL,BRASS METAL	SNA	1
3-1	4	RV005	6003-000159	SCREW-TAPTYPE; PH,+,B,M3,L10,ZPC(BLK),SWR	SNA	9
3-2	4		DJ61-02593A	SPRING ETC COIL; VS9000RL,STS304,0.6mm,ID	SA	1

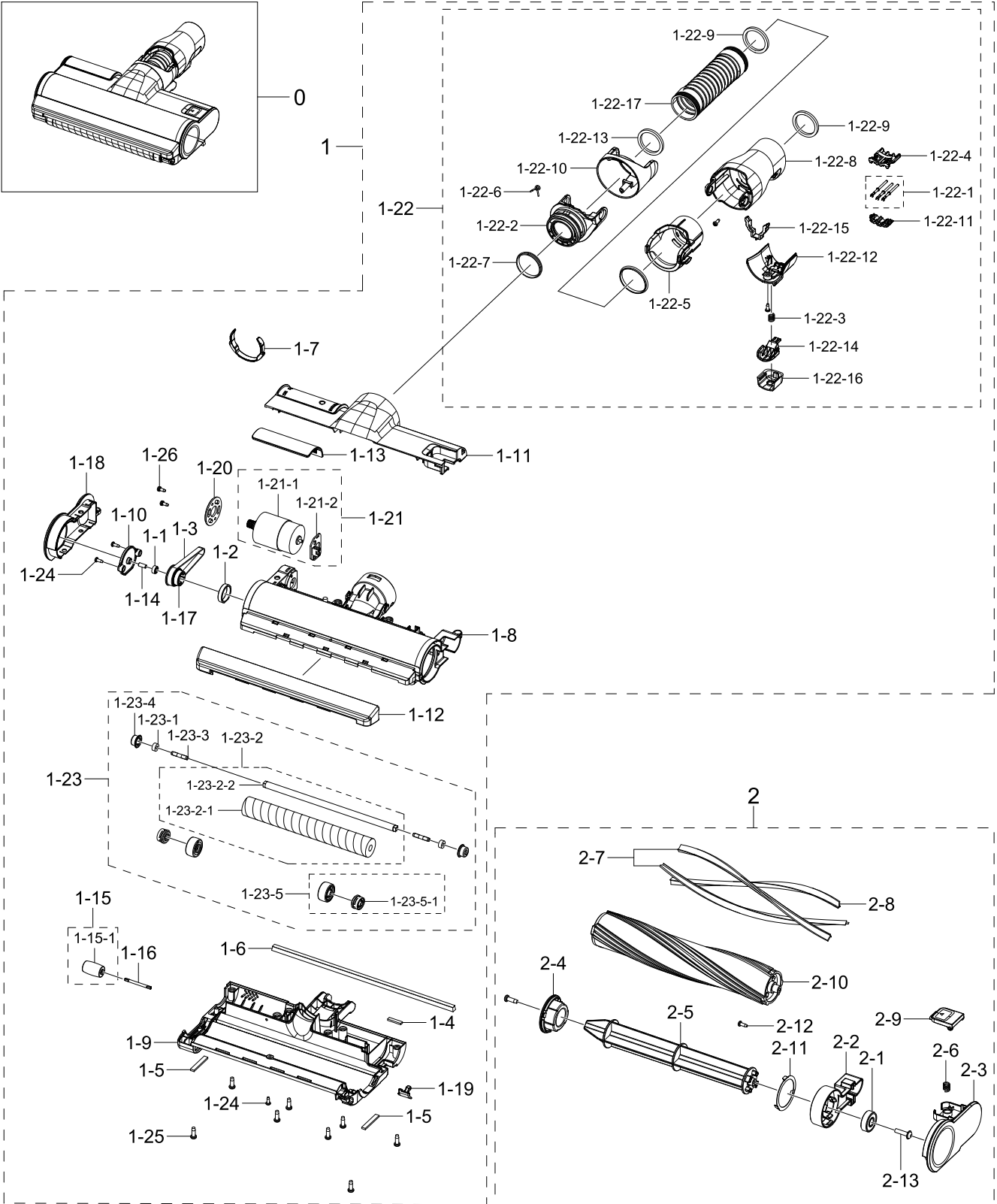
Exploded Views and Parts List

No.	Lvl.	Loc.	Material Code	Description & Specification	SNA	Qty.
3-3	4		DJ61-02935B	CASE CYCLONE-UP; VS9500,ABS,T1.2,COTTA BL	SNA	1
3-4	4		DJ61-02931A	CASE CYCLONE-MIDDLE; VS9500,ABS,T1.2,EBON	SNA	1
3-5	4		DJ61-02932B	CASE CYCLONE-LOW; VS9500,ABS,T1.2,COTTA B	SNA	1
3-6	4		DJ61-02936A	CASE CYCLONE-IN; VS9500,ABS,T1.2,EBONY BL	SNA	1
3-7	4		DJ63-01869A	GASKET CYCLONE-UP; VS9500,PVC,T1.2,NEUTRA	SA	1
3-8	4		DJ63-01867A	GASKET CYCLONE; VS9500,TPV,TPV-45VSH-65A,	SA	1
3-9	4		DJ63-01879A	GASKET CYCLONE-IN; VS9500,EVA FOAM,T1,BLA	SNA	1
3-10	4		DJ63-01880A	GASKET CYCLONE-MIDDLE; VS9500,EVA FOAM,T1	SNA	1
3-11	4		DJ63-01878A	GASKET ETC; VS9500,EVA FOAM,T2,W2,L104,BL	SNA	1
3-12	4		DJ64-01444D	DECORATION CYCLONE-UP; VS9500AL,PC,T1.2,B	SNA	1
3-13	4		DJ64-01443D	BUTTON CYCLONE; VS9500AL,PC,V-0,BRASS MET	SNA	1
3-14	4		DJ64-01449A	GRILLE CYCLONE; VS9500,STS304	SNA	1
3-15	4		DJ97-03102A	ASSY GUIDE AIR; VS9500,BLACK CHROMETAL	SA	1
3-15-1	5		DJ61-02930A	GUIDE AIR; VS9500,PP,T1.2,L38.8,ML9500,BL	SNA	1
3-15-2	5		DJ63-01692A	GASKET DUCT; VS9000,TPE,SIE A 2711,T1,DIA	SNA	1

1.6. Jet Dual Brush

Jet Dual Brush

Exploded View



Parts List

No.	Lvl.	Loc.	Material Code	Description & Specification	SNA	Qty.
0	2		DJ97-03151A	ASSY BRUSH; VS9500AL,BLACK CH-METAL SOLID	SA	1
1	3		DJ97-03150A	ASSY BODY BRUSH; VS9500AL,BLACK CH-METAL	SA	1
1-1	4		6601-003453	BEARING BALL; 684ZZMC3,ID4,OD9,L4,STB2,68	SNA	1
1-2	4		6601-003318	BEARING OILLESS; SBF4118,L5.1,OD22.2,ID18	SNA	1
1-3	4		6602-003994	BELT-TIMING GEAR; 2M-170-6,NBR,T1.38,W6,L	SNA	1
1-4	4		DJ60-00040A	SPACER BRUSH; VS6000KL,WOOL,L18,-,T2,W4	SA	1
1-5	4		DJ60-00069A	SPACER BRUSH; VS9500AL,WOOL,L31.5,T2,W5,2	SNA	2
1-6	4		DJ60-00060A	SPACER BRUSH; VS9000RL,WOOL,L247,W5,SPACE	SA	1
1-7	4		DJ61-02533A	GUIDE KEY; VS8000ML,POM,L38.4,K300,NATURA	SNA	1
1-8	4		DJ61-02993A	CASE DRUM; VS9500AL,PC,GRAY TR-P,3022R,TA	SNA	1
1-9	4		DJ61-02994A	BODY BRUSH; VS9500AL,PC,BLACK,TAB 2.0,ES3	SNA	1
1-10	4		DJ63-01604A	COVER GEAR BOX; VS8000ML,PC,V-2,BLACK,302	SNA	1
1-11	4		DJ63-01905A	COVER BRUSH; VS9500AL,PC,BLACK CHROMETAL	SNA	1
1-12	4		DJ63-01906A	BAND BRUSH; VS9500AL,TPEE,BLACK,TAB 2.0 /	SNA	1
1-13	4		DJ64-01330H	DECORATION COVER; VS9500AL,ABS,-,WARM SIL	SNA	1
1-14	4		DJ66-00549C	SHAFT ETC; VS8000ML,STS304,9.5,4.0,GEAR B	SNA	1
1-15	4		DJ66-00895A	ROLLER-OUT; VS9500AL,PVC,OD15,NPA1075SG,	SA	1
1-15-1	5		DJ66-00894A	ROLLER-IN; VS9500AL,POM,NATURAL,ID3.2	SA	1
1-16	4		DJ66-00906A	SHAFT ROLLER; VS9500AL,STS303,L35.5,OD3,D	SA	1
1-17	4		DJ66-00820A	PULLEY DRUM; VS8000ML,POM,NATURAL,K300	SNA	1
1-18	4		DJ67-00806E	CAP CASE; VS9500AL,PC,-,SA-1220,BLACK C	SNA	1
1-19	4		DJ61-02992A	FIXER; VS9500AL,PC,AZURE BLUE,-,3022R,TAB	SNA	1
1-20	4		DJ63-01907A	CUSHION MOTOR; VS9500AL,TPEE,W35,L2,D35,5	SNA	1

No.	Lvl.	Loc.	Material Code	Description & Specification	SNA	Qty.
1-21	4		DJ94-01045A	ASSY MOTOR PARTS; VS9500AL,STANDARD,RS545	SNA	1
1-21-1	5	RJ077	DJ31-00183A	MOTOR DC; RS545-ST-3656,9350rpm,18.0V,0.3	SNA	1
1-21-2	5		DJ92-00232A	ASSY PBA MODULE-INVERTER; BRUSH MOTOR,TUR	SNA	1
1-22	4		DJ97-03148A	ASSY PIPE C/BRUSH; VS9500AL,BLACK CH-META	SA	1
1-22-1	5		DJ39-00350A	WIRE HARNESS-MOTOR; 2P,TURBO 2.0,UL10125,	SA	1
1-22-2	5		DJ60-00046F	CONNECTOR BRUSH; PC,VS9500AL,BLACK CHROME	SNA	1
1-22-3	5		DJ61-00584A	SPRING ETC-CAP; VC-MBM940,HSWR,CD0.7,OD7.	SA	1
1-22-4	5		DJ61-02551A	HOLDER TERMINAL; VS9000NL,PC,L30,EBONY BL	SNA	1
1-22-5	5		DJ61-02565F	HOLDER ETC; VS9500AL,PC,L76.3,BLACK CHROM	SNA	1
1-22-6	5		DJ61-02592A	SPRING ETC; VS9000RL,HSWR,1.2mm,ID3.2,OD5	SNA	1
1-22-7	5		DJ62-00300A	SEAL-C/PIPE; NB-810,NBR,T0.6,HARDNESS 60	SNA	1
1-22-8	5		DJ62-00460F	PIPE CONNECTOR; VS9500AL,PC,BLACK CHROMET	SNA	1
1-22-9	5		DJ63-01618A	GASKET ETC; VS8000ML,EPDM,BLACK,PET FILM,	SNA	2
1-22-10	5		DJ63-01635J	COVER CONNECTOR; VS9500AL,PC,BLACK CHROME	SNA	1
1-22-11	5	RA051	DJ63-01651A	COVER TERMINAL; VS9000NL,PC,V-0,EBONY BLA	SNA	1
1-22-12	5		DJ63-01662F	COVER HOLDER; VS9500AL,PC,BLACK CHROMETAL	SNA	1
1-22-13	5		DJ63-01822A	GASKET ETC; VS9200,EPDM,W36.6,BLACK,PET F	SNA	2
1-22-14	5		DJ64-01348L	KNOB PIPE; VS9500AL,PC,BLACK CHROMETAL SO	SNA	1
1-22-15	5		DJ66-00823A	LEVER RELEASE; VS9000NL,PC,3022R,GRAY TR-	SNA	1
1-22-16	5		DJ67-00828L	CAP KNOB; VS9500AL,PC,SA-1220,BLACK CHROM	SNA	1
1-22-17	5	RL018	DJ97-02639A	ASSY HOSE; VS9000RL,GRAY,L110,DOM,SOFT, T	SNA	1
1-23	4		DJ97-03153A	ASSY ROLLER; VS9500AL,GOLD / GRAY,TAB 2.0	SNA	1
1-23-1	5		6601-003453	BEARING BALL; 684ZZMC3,ID4,OD9,L4,STB2,68	SNA	2

Exploded Views and Parts List

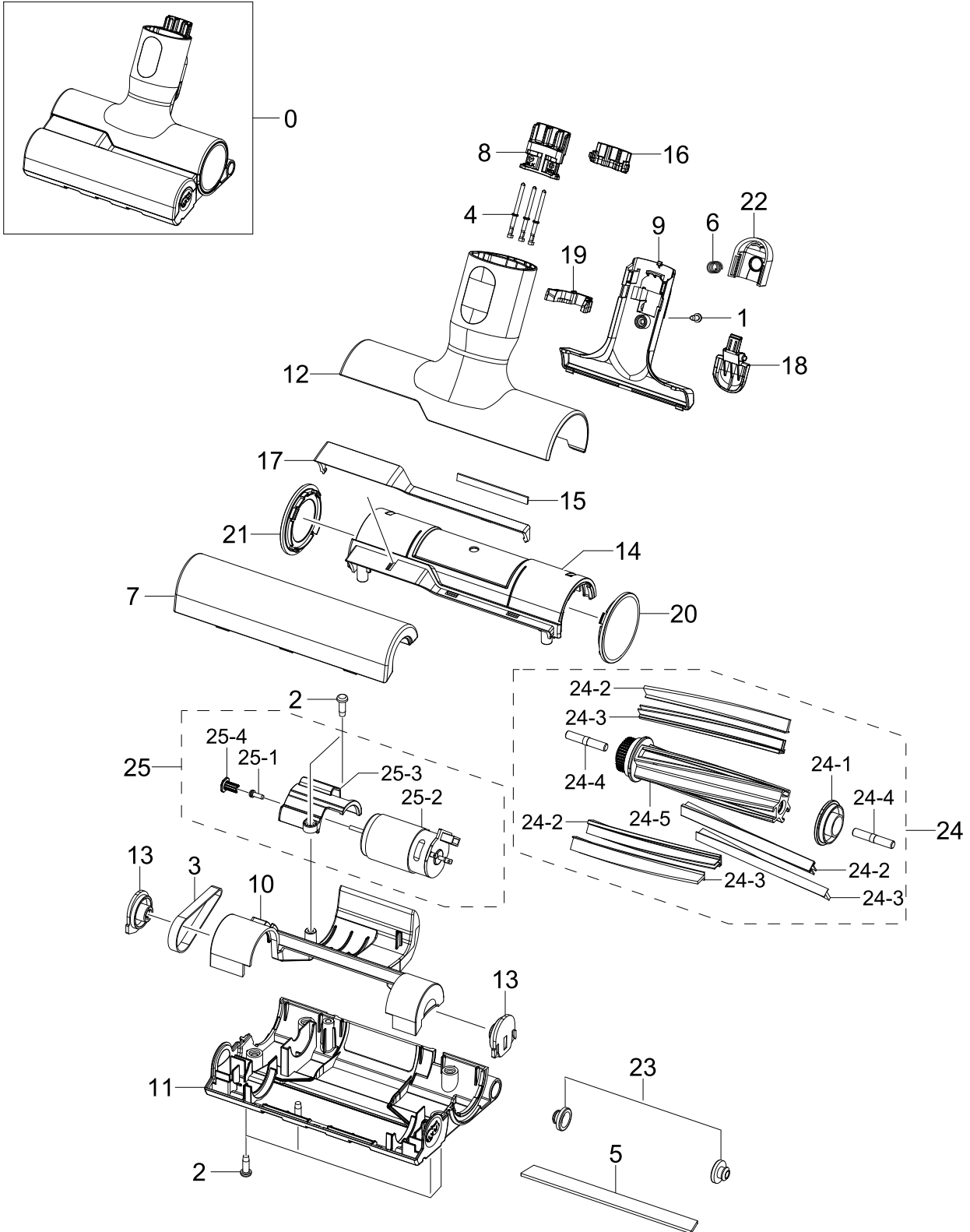
No.	Lvl.	Loc.	Material Code	Description & Specification	SNA	Qty.
1-23-2	5		DJ97-03202A	ASSY ROLLER BRUSH; VS9500AL,GOLD / GRAY,T	SNA	1
1-23-2-1	6		DJ62-00509A	NOZZLE BRUSH; VS9500AL,PA6,W16,L260,Gray	SNA	1
1-23-2-2	6		DJ66-00908A	SHAFT ETC; VS9500AL,ABS,L181.7,OD7.6,EBON	SNA	1
1-23-3	5		DJ66-00808A	SHAFT DRUM; VR7000M,STS304,L22,OD4.05,NAT	SNA	2
1-23-4	5		DJ67-00905A	CAP ETC; VS9500AL,EPDM,W15.4,HB,EPDM, HRC	SNA	2
1-23-5	5		DJ66-00910A	ROLLER-OUT; VS9500AL,PVC,OD22.6,-,-,NPA	SNA	2
1-23-5-1	6		DJ66-00909A	ROLLER-IN; VS9500AL,ABS,EBONY BLACK,TAB 2	SNA	2
1-24	4	RV005	6002-000630	SCREW-TAPPING; PH,+,2S,M3,L8,ZPC(WHT),SWR	SNA	3
1-25	4	RV005	6003-000170	SCREW-TAPTYPE; PH,+,B,M4,L12,ZPC(WHT),SWR	SNA	8
1-26	4	RV005	6006-000130	SCREW-MACHINE; SWRCH18A,ZPC(WHT),L8,M3,PH	SNA	2
2	3		DJ97-03149A	ASSY DRUM BRUSH; VS9500AL,WARM SILVER,TUR	SA	1
2-1	4		6601-002678	BEARING BALL; 608ZZ Z3V3,ID8,OD22,L7,ZZ (SA	1
2-2	4		DJ61-02481A	GUIDE DRUM; VS8000ML,ABS,HB,HG-0760GP,EBO	SNA	1
2-3	4		DJ61-02482E	HOLDER BUTTON; VS9500AL,PC,-,L108.8,BLACK	SNA	1
2-4	4		DJ61-02483A	HOLDER-DRUM; VS8000ML,PC,BLACK,V-2,3022R,	SNA	1
2-5	4		DJ61-02488A	GUIDE ETC; VS8000ML,ABS,L202.6,HB,GP-35,E	SNA	1
2-6	4		DJ61-70001P	SPRING ETC-PUSH; JAZZ-PJT,STS304,0.7mm,ID	SNA	1
2-7	4		DJ62-00430F	NOZZLE DRUM; VS9500AL,PA6,T6.1,W5,L233,GO	SNA	2
2-8	4		DJ62-00508A	NOZZLE DRUM; VS9500AL,HNBR,W4.5,L217,GRAY	SNA	1
2-9	4		DJ64-01328E	BUTTON BRUSH; VS9500AL,PC,BLACK CHROMETAL	SNA	1
2-10	4		DJ66-00921A	DRUM BRUSH; VS9500AL,ABS,HG-0760GP,NEUTRA	SNA	1
2-11	4		DJ67-00840A	CAP ETC; VS9000RL,STS430J1L,T0.4,W38.65,L	SNA	1

No.	Lvl.	Loc.	Material Code	Description & Specification	SNA	Qty.
2-12	4	RV005	6002-000630	SCREW-TAPPING; PH,+,2S,M3,L8,ZPC(WHT),SWR	SNA	1
2-13	4	RV005	6002-001350	SCREW-TAPPING; SWRCH18A,ZPC(WHT),L20,M4,P	SNA	1

1.7. Mini Turbo Pet Brush

Mini Turbo Pet Brush

Exploded View



Parts List

No.	Lvl.	Loc.	Material Code	Description & Specification	SNA	Qty.
0	2		DJ97-02812D	ASSY BRUSH; VS9500A,MINI TURBO PET,BLACK	SA	1
1	3	RV005	6002-000630	SCREW-TAPPING; PH,+,2S,M3,L8,ZPC(WHT),SWR	SNA	1
2	3	RV005	6003-000170	SCREW-TAPTYPE; PH,+,B,M4,L12,ZPC(WHT),SWR	SNA	6
3	3		6602-002831	BELT-TIMING GEAR; 2M-130-6,NBR,T1.36,BLK	SNA	1
4	3		DJ39-00283A	WIRE HARNESS-MOTOR; 2P,BRUSH(MINI TURBO),	SNA	1
5	3		DJ60-00061A	SPACER BRUSH; MINI TURBO PET BRUSH,WOOL,L	SA	1
6	3		DJ61-00584A	SPRING ETC-CAP; VC-MBM940,HSWR,CD0.7,OD7.	SA	1
7	3		DJ61-02485A	CASE DRUM; VS8000ML,PC,GRAY TR-P,SR1000,M	SNA	1
8	3		DJ61-02551A	HOLDER TERMINAL; VS9000NL,PC,L30,EBONY BL	SNA	1
9	3		DJ61-02566E	HOLDER WIRE; VS9500,PC,L,BLACK CHROMETAL	SA	1
10	3		DJ61-02737A	GUIDE AIR; VS9200TL,ABS,Length,HG-0760GP,	SNA	1
11	3		DJ61-02738A	BODY BRUSH; VS9200TL,PC,BLACK,MINI TURBO	SNA	1
12	3		DJ62-00461E	PIPE CONNECTOR; VS9500,PC,BLACK CHROMETAL	SNA	1
13	3		DJ63-00604A	COVER-DRUM; UPRIGHT,POM,-,BISSELL,-,BLACK	SA	2
14	3		DJ63-01605F	COVER BRUSH; VS9500,ABS,BLACK CHROMETAL S	SNA	1
15	3		DJ63-01628A	GASKET ETC; VS8000ML,EVA FOAM,W5,L52,MINI	SNA	1
16	3	RA051	DJ63-01651A	COVER TERMINAL; VS9000NL,PC,V-0,EBONY BLA	SNA	1
17	3		DJ64-01331C	DECORATION COVER; VS9200TL,PET TOOL,ABS,A	SNA	1
18	3		DJ64-01348L	KNOB PIPE; VS9500AL,PC,BLACK CHROMETAL SO	SNA	1
19	3		DJ66-00823A	LEVER RELEASE; VS9000NL,PC,3022R,GRAY TR-	SNA	1
20	3		DJ67-00807F	CAP BODY; VS9500,ABS,HG-0760GP,BLACK CHRO	SNA	1
21	3		DJ67-00808F	CAP AIR; VS9500,ABS,HG-0760GP,BLACK CHROM	SNA	1
22	3		DJ67-00828L	CAP KNOB; VS9500AL,PC,SA-1220,BLACK CHROM	SNA	1

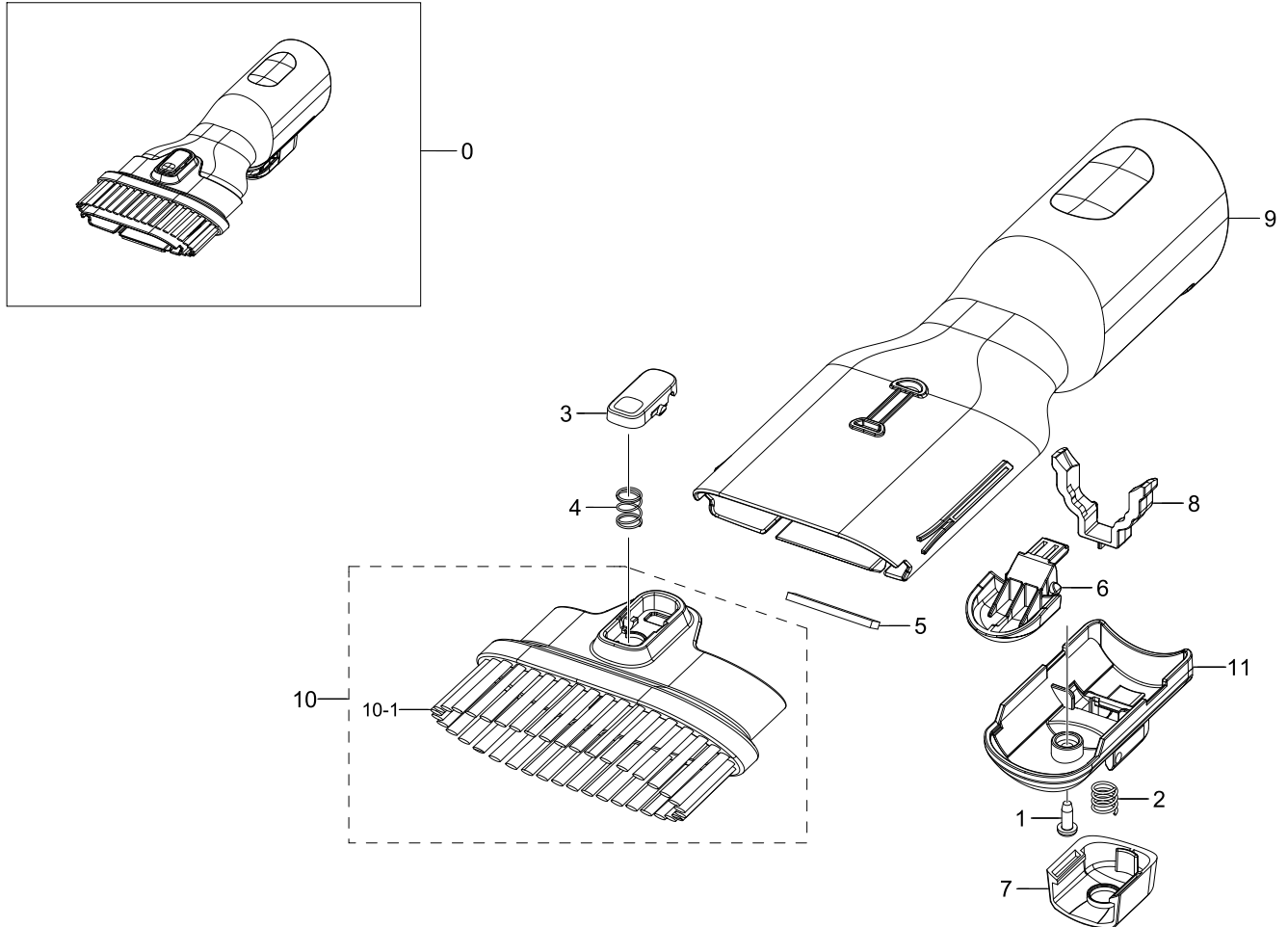
Exploded Views and Parts List

No.	Lvl.	Loc.	Material Code	Description & Specification	SNA	Qty.
23	3		DJ67-00865A	CAP ETC; VS9200TL,NBR,BLACK	SNA	2
24	3		DJ97-02813A	ASSY DRUM BRUSH; VS9200TL,L126.4,YELLOW H	SA	1
24-1	4		DJ61-02749A	HOLDER-DRUM; VS9200TL,PP+TD30%,L5,YELLOW	SNA	1
24-2	4		DJ62-00480A	NOZZLE DRUM; VS9200TL,NBR,Thickness,Width	SNA	3
24-3	4		DJ62-00482A	NOZZLE BRUSH; MINI TURBO PET BRUSH,PA6,T0	SNA	3
24-4	4		DJ66-00206B	SHAFT DRUM; UPRIGHT,SM20C,L29,OD4.95,NATU	SNA	2
24-5	4		DJ66-00863A	DRUM BRUSH; VS9200TL,PP+TD30%,CT453S,YELL	SNA	1
25	3		DJ94-00891B	ASSY MOTOR PARTS; VS9000RL,RS390,MINI BRU	SNA	1
25-1	4	RV005	6006-000112	SCREW-MACHINE; PH,+,WS,M2.6,L8,ZPC(WHT),S	SNA	1
25-2	4	RJ077	DJ31-00148D	MOTOR DC; 7111rpm,18.0V,0.72A,19.9W	SNA	1
25-3	4		DJ61-02498A	HOLDER MOTOR; VS8000ML,ABS,-,L42,EBONY BL	SNA	1
25-4	4		DJ66-00801A	PULLEY TURBINE; VS8000ML,SMF5030,9-GROOVE	SNA	1

1.8. Combination Tool

Combination Tool

Exploded View



Parts List

No.	Lvl.	Loc.	Material Code	Description & Specification	SNA	Qty.
0	2	RA002	DJ98-01129G	ASSY ACCESSORY DUSTING; VS9500AL,DUSTING,	SA	1
1	3	RV005	6002-000630	SCREW-TAPPING; PH,+2S,M3,L8,ZPC(WHT),SWR	SNA	1
2	3		DJ61-00584A	SPRING ETC-CAP; VC-MBM940,HSWR,CD0.7,OD7.	SA	1
3	3		DJ64-01333F	BUTTON PUSH; VS9500AL,PC,BLACK CHROMETAL	SNA	1
4	3		DJ61-02508A	SPRING ETC COIL; VS8000ML,HSWR,CD0.5,ID6.	SA	1
5	3		DJ60-00057A	SPACER BRUSH; VS9000RL,WOOL,L26.5,T2,W5,R	SNA	1

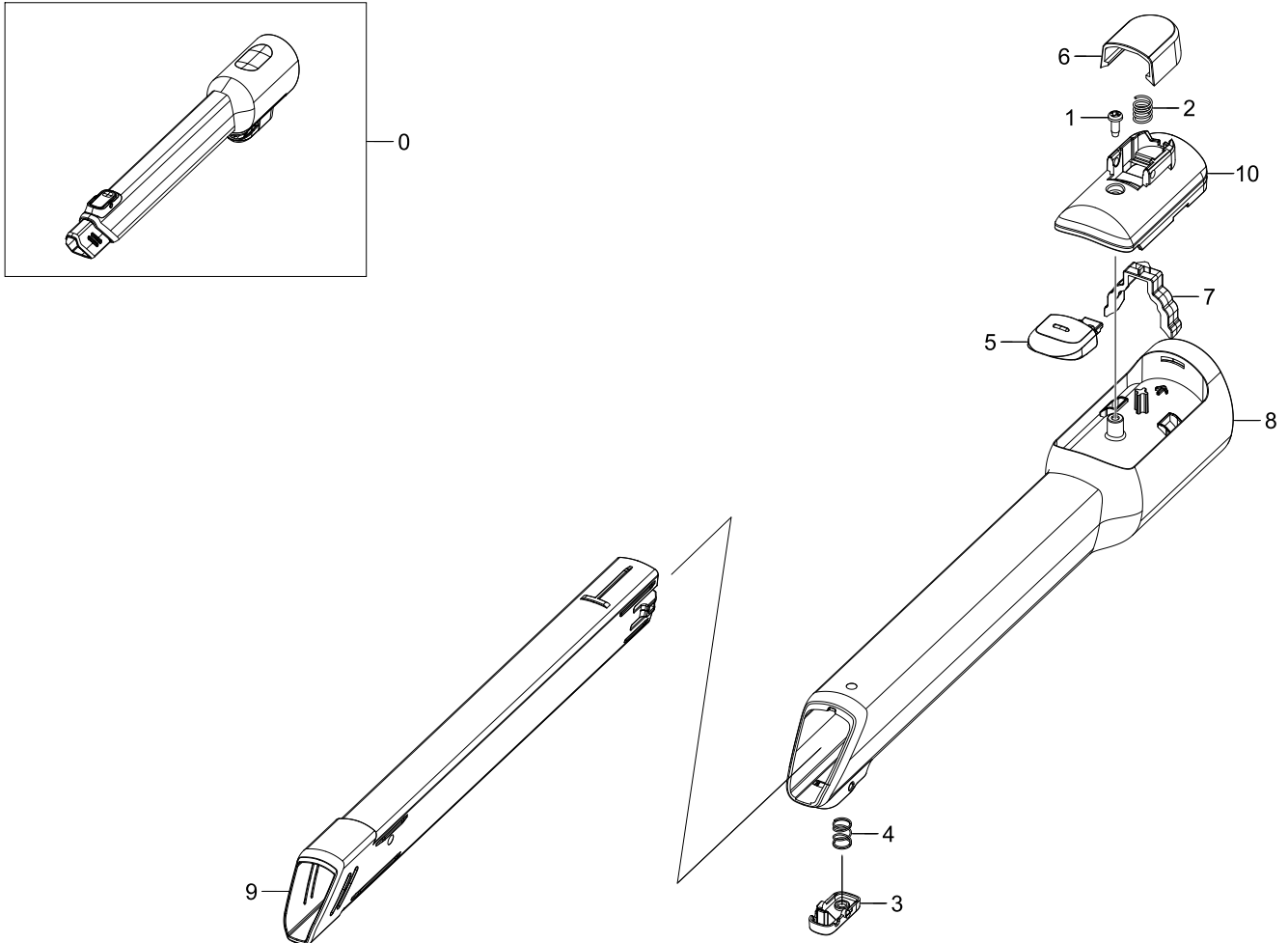
Exploded Views and Parts List

No.	Lvl.	Loc.	Material Code	Description & Specification	SNA	Qty.
6	3		DJ64-01348L	KNOB PIPE; VS9500AL,PC,BLACK CHROMETAL SO	SNA	1
7	3		DJ67-00828L	CAP KNOB; VS9500AL,PC,SA-1220,BLACK CHROM	SNA	1
8	3		DJ66-00823A	LEVER RELEASE; VS9000NL,PC,3022R,GRAY TR-	SNA	1
9	3		DJ62-00454E	PIPE CONNECTOR; VS9500AL,ABS,ID35.1,L276,	SNA	1
10	3	RA036	DJ67-00827D	BRUSH DUSTING; VS9500AL,ABS,COMBINATION T	SNA	1
10-1	4		DJ62-00371H	NOZZLE BRUSH; VS9000RL,PA66+GF30%,T0.15,-	SNA	6
11	3		DJ63-01644E	COVER HOLDER; VS9500AL,ABS,W33.6,L64.4,HB	SA	1

1.9. Crevice Tool

Crevice Tool

Exploded View



Parts List

No.	Lvl.	Loc.	Material Code	Description & Specification	SNA	Qty.
0	2	RA001	DJ98-01130G	ASSY ACCESSORY CREVICE; VS9500AL,CREVICE,	SA	1
1	3	RV005	6002-000630	SCREW-TAPPING; PH,+,2S,M3,L8,ZPC(WHT),SWR	SNA	1
2	3		DJ61-00584A	SPRING ETC-CAP; VC-MBM940,HSWR,CD0.7,OD7.	SA	1
3	3		DJ64-01333F	BUTTON PUSH; VS9500AL,PC,BLACK CHROMETAL	SNA	1
4	3		DJ61-02508A	SPRING ETC COIL; VS8000ML,HSWR,CD0.5,ID6.	SA	1
5	3		DJ64-01348L	KNOB PIPE; VS9500AL,PC,BLACK CHROMETAL SO	SNA	1

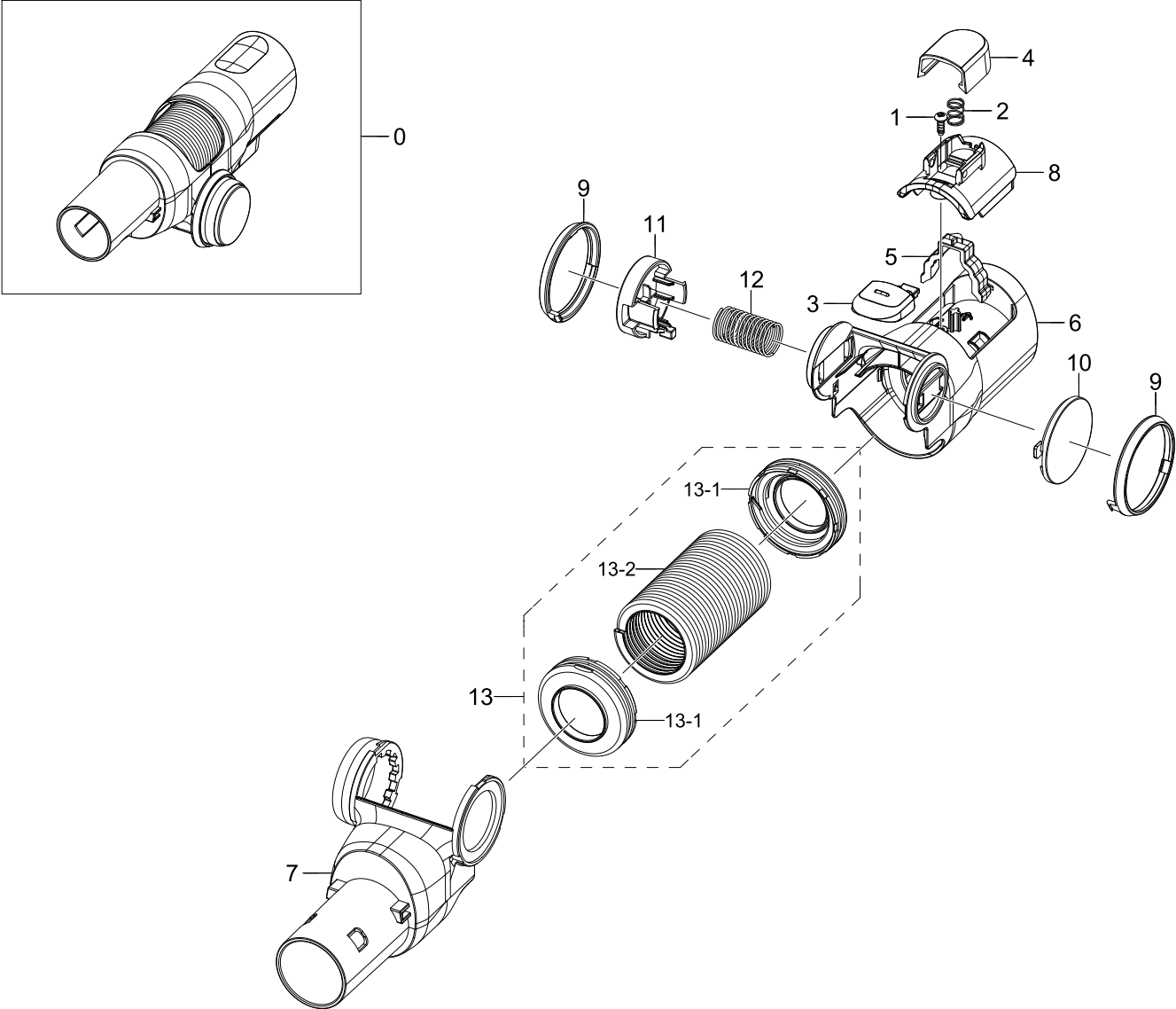
Exploded Views and Parts List

No.	Lvl.	Loc.	Material Code	Description & Specification	SNA	Qty.
6	3		DJ67-00828L	CAP KNOB; VS9500AL,PC,SA-1220,BLACK CHROM	SNA	1
7	3		DJ66-00823A	LEVER RELEASE; VS9000NL,PC,3022R,GRAY TR-	SNA	1
8	3		DJ62-00455E	PIPE CONNECTOR; VS9500AL,ABS,ID35.1,L276,	SNA	1
9	3	RA078	DJ62-00456D	PIPE CREVICE; VS9500AL,ABS,L241.8,BLACK C	SA	1
10	3		DJ63-01644E	COVER HOLDER; VS9500AL,ABS,W33.6,L64.4,HB	SA	1

1.10. Multi Direction Tool

Multi Direction Tool

Exploded View



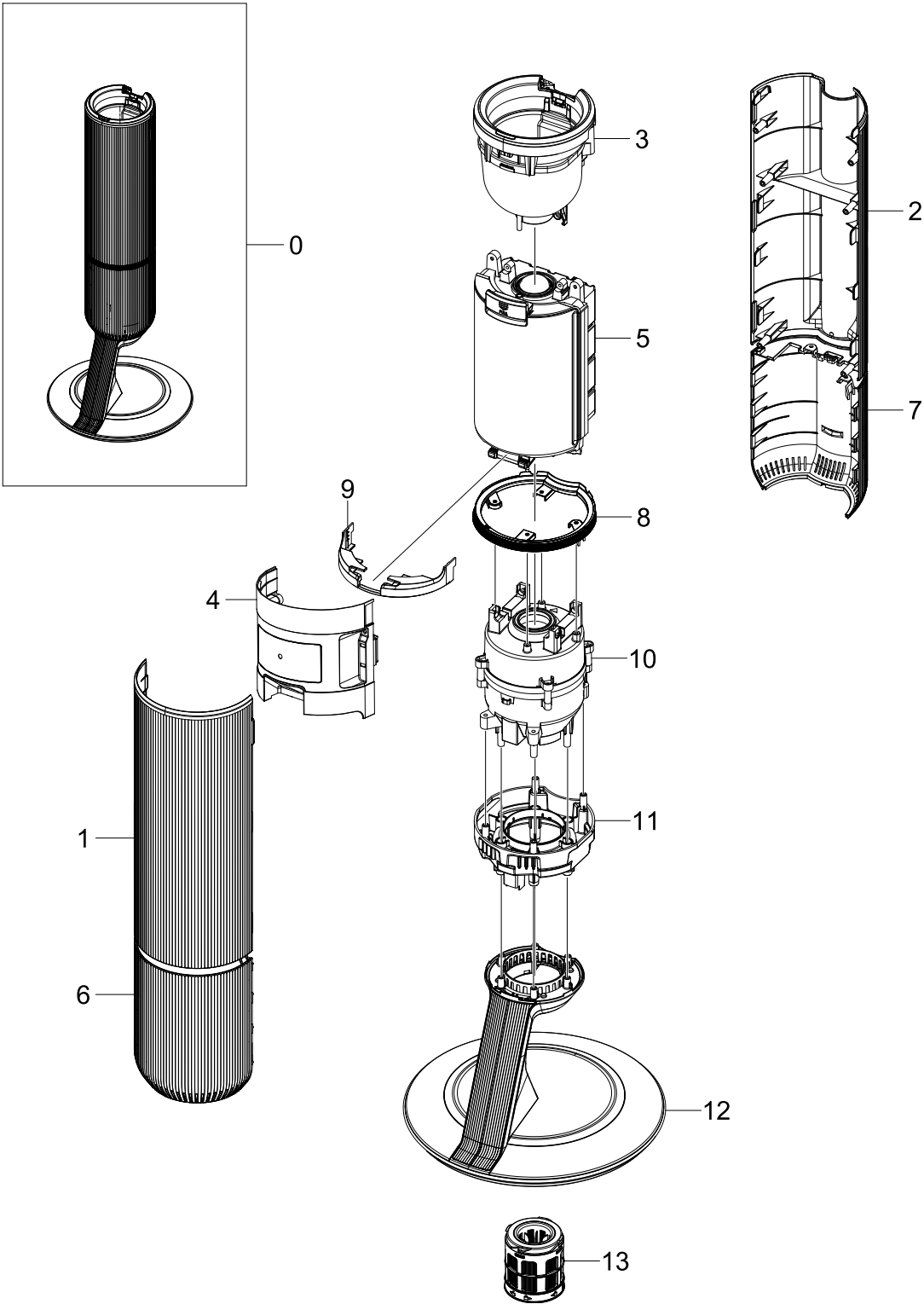
Parts List

No.	Lvl.	Loc.	Material Code	Description & Specification	SNA	Qty.
0	2		DJ98-01131E	ASSY ACCESSORY; VS9500AL,MULTI-DIRECTION,	SA	1
1	3	RV005	6002-000630	SCREW-TAPPING; PH,+,2S,M3,L8,ZPC(WHT),SWR	SNA	1
2	3		DJ61-00584A	SPRING ETC-CAP; VC-MBM940,HSWR,CD0.7,OD7.	SA	1
3	3		DJ64-01348L	KNOB PIPE; VS9500AL,PC,BLACK CHROMETAL SO	SNA	1
4	3		DJ67-00828L	CAP KNOB; VS9500AL,PC,SA-1220,BLACK CHROM	SNA	1
5	3		DJ66-00823A	LEVER RELEASE; VS9000NL,PC,3022R,GRAY TR-	SNA	1
6	3		DJ62-00457D	PIPE CONNECTOR; VS9500AL,PC,ID35.1,L276,B	SNA	1
7	3		DJ60-00054D	CONNECTOR BRUSH; PC,VS9500AL,BLACK CHROME	SNA	1
8	3		DJ63-01645D	COVER HOLDER; VS9500AL,ABS,W33.6,L64.4,BL	SA	1
9	3		DJ67-00810E	CAP ETC; VS9500AL,ABS,HG-0760GP,BLACK CHR	SNA	2
10	3		DJ67-00809E	CAP HINGE; VS9500AL,ABS,HG-0760GP,BLACK C	SA	1
11	3		DJ64-01332E	BUTTON PUSH; VS9500AL,PC,BLACK CHROMETAL	SNA	1
12	3		DJ61-70179A	SPRING ETC COIL; HSWR,PI0.9,ID13,L25,8,BL	SNA	1
13	3	RL018	DJ97-02571A	ASSY HOSE; VS8000ML,DUAL, ONE, MULTI	SA	1
13-1	4		DJ60-00044A	CONNECTOR HOSE; ABS,VS8000ML,EBONY BLACK,	SNA	2
13-2	4	RL101	DJ67-00520F	HOSE WIRE; VS8000ML,PVC,29,39,60,BLACK,24	SNA	1

2. Assy Body

Assy Body

Exploded View



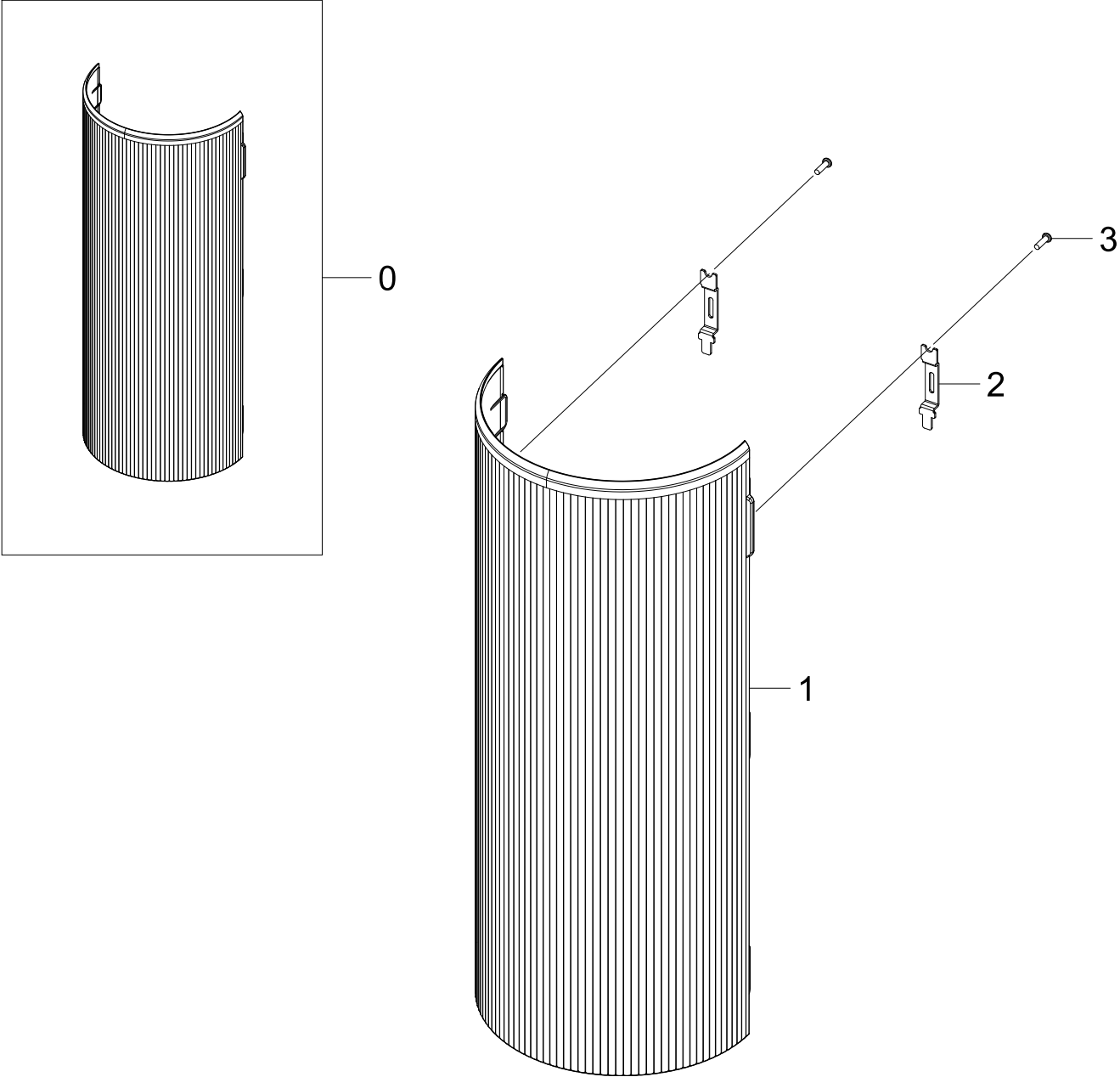
Parts List

No.	Lvl.	Loc.	Material Code	Description & Specification	SNA	Qty.
0	3	RB001	DJ97-03136G	ASSY BODY; VS9500AL,MISTY WHITE,GOLD,230V	SNA	1
1	4		DJ97-03127J	ASSY COVER; VS9500AL,MISTY WHITE,GLOBAL	SA	1
2	4		DJ61-03012C	FRAME BACK; VS9500AL,ABS,MISTY WHITE,T2.5	SNA	1
3	4	RB026	DJ97-03132G	ASSY COVER DUST; VS9500AL,GLOBAL,GOLD	SA	1
4	4	RB029	DJ97-03130A	ASSY COVER FRONT; VS9500A,Clean Station	SA	1
5	4	RB217	DJ97-03133B	ASSY BODY DUST; VS9500A,Clean Station, GL	SNA	1
6	4		DJ63-01887C	COVER PANEL; VS9500A,ABS,T2.3,W155,L75,-,-	SA	1
7	4	RB150	DJ63-01886C	COVER BACK; VS9500A,ABS,T2.3,W155,L75,-,-	SA	1
8	4		DJ61-02959E	HOLDER OUTLET; VS9500AL,ABS,L145,BRASS ME	SA	1
9	4		DJ67-00899A	CAP BODY; VS9500,ABS,T2,W140,L70,HG-0760G	SA	1
10	4		DJ94-01034B	ASSY MOTOR PARTS; VS9500AL,CLEAN STATION,	SNA	1
11	4		DJ63-01885A	COVER CASE MOTOR; VS9500,PC,T2.5,W133.8,L	SA	1
12	4	RB002	DJ97-03135G	ASSY BODY BASE; VS9500AL,MISTY WHITE,GOLD	SNA	1
13	4	RB037	DJ97-03134A	ASSY GRILLE BACK; VS9500A,Clean Station	SA	1

2.1. Assy Cover

Assy Cover

Exploded View



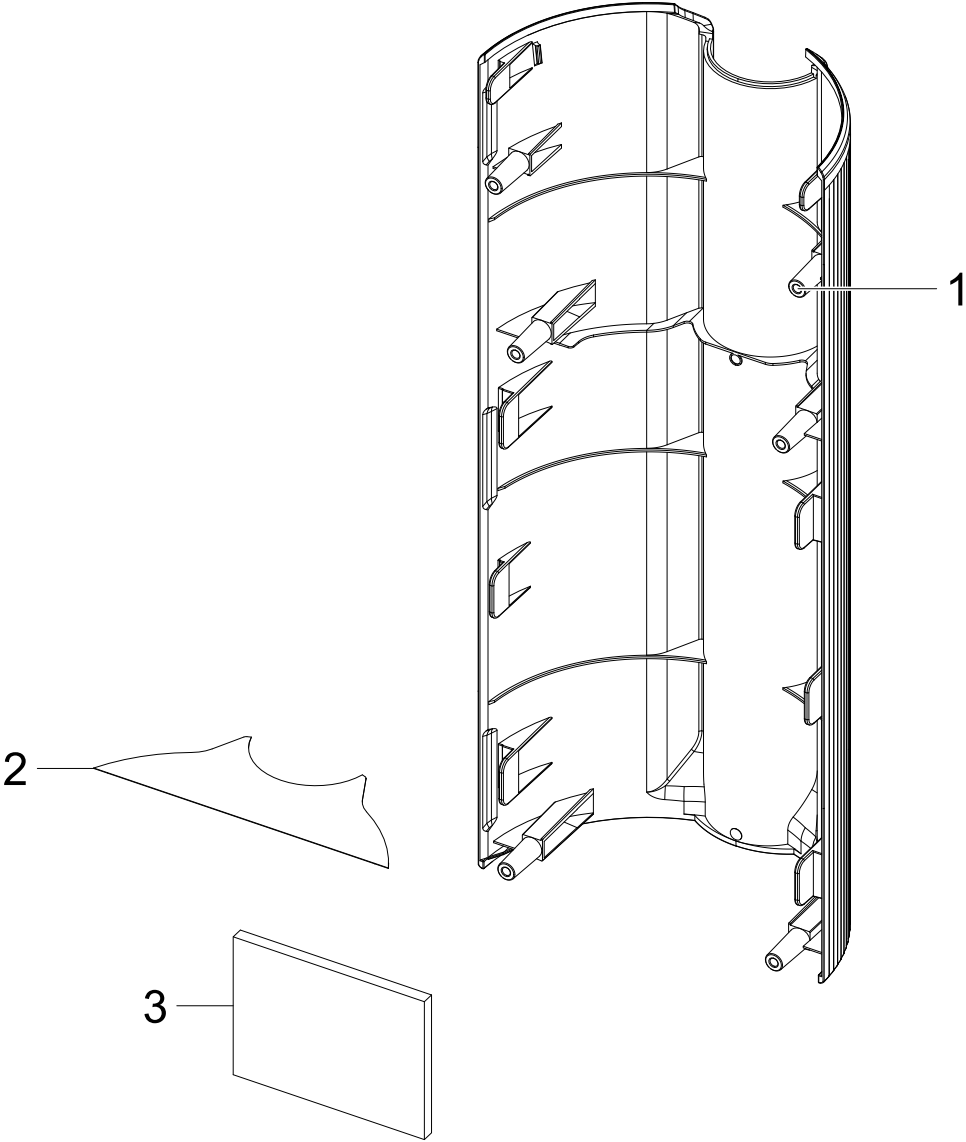
Parts List

No.	Lvl.	Loc.	Material Code	Description & Specification	SNA	Qty.
0	4		DJ97-03127J	ASSY COVER; VS9500AL,MISTY WHITE,GLOBAL	SA	1
1	5		DJ61-03014C	FRAME FRONT; VS9500AL,ABS,MISTY WHITE,T2.	SNA	1
2	5		DJ63-01888A	COVER PLATE; VS9500A,EGI-SECC,T1,ELECTROP	SNA	2
3	5	RV005	6003-000170	SCREW-TAPTYPE; PH,+,B,M4,L12,ZPC(WHT),SWR	SNA	2

2.2. Frame Back

Frame Back

Exploded View



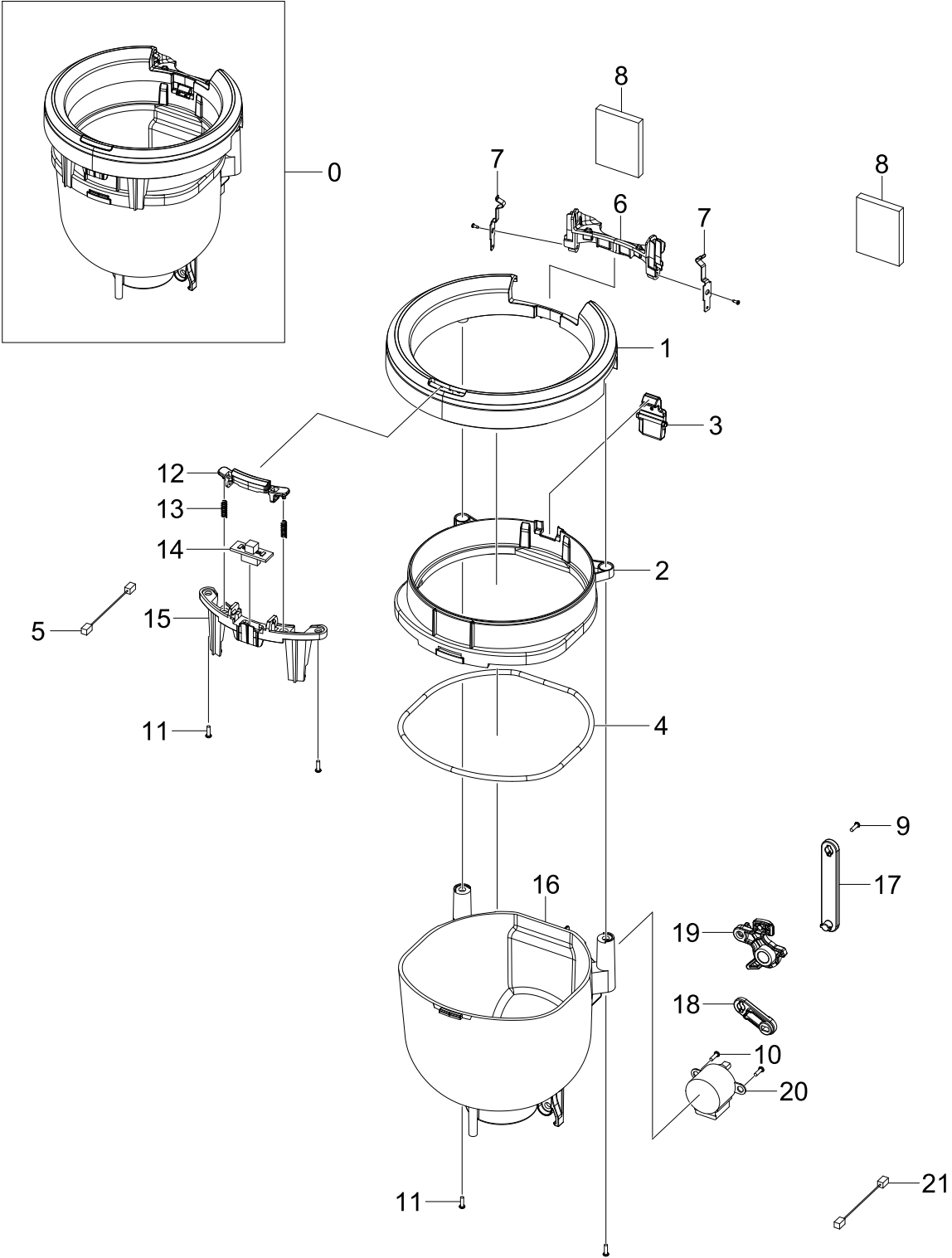
Parts List

No.	Lvl.	Loc.	Material Code	Description & Specification	SNA	Qty.
1	4		DJ61-03012C	FRAME BACK; VS9500AL,ABS,MISTY WHITE,T2.5	SNA	1
2	4		DJ64-01473A	INLAY; VS9500A,PC,T0.2,W45,L123,BLACK	SNA	1
3	4		DJ63-00508E	FILTER-SAFETY; SC9150,T5,W80,L60,ADHESIVE	SA	1

2.3. Assy Cover Dust

Assy Cover Dust

Exploded View



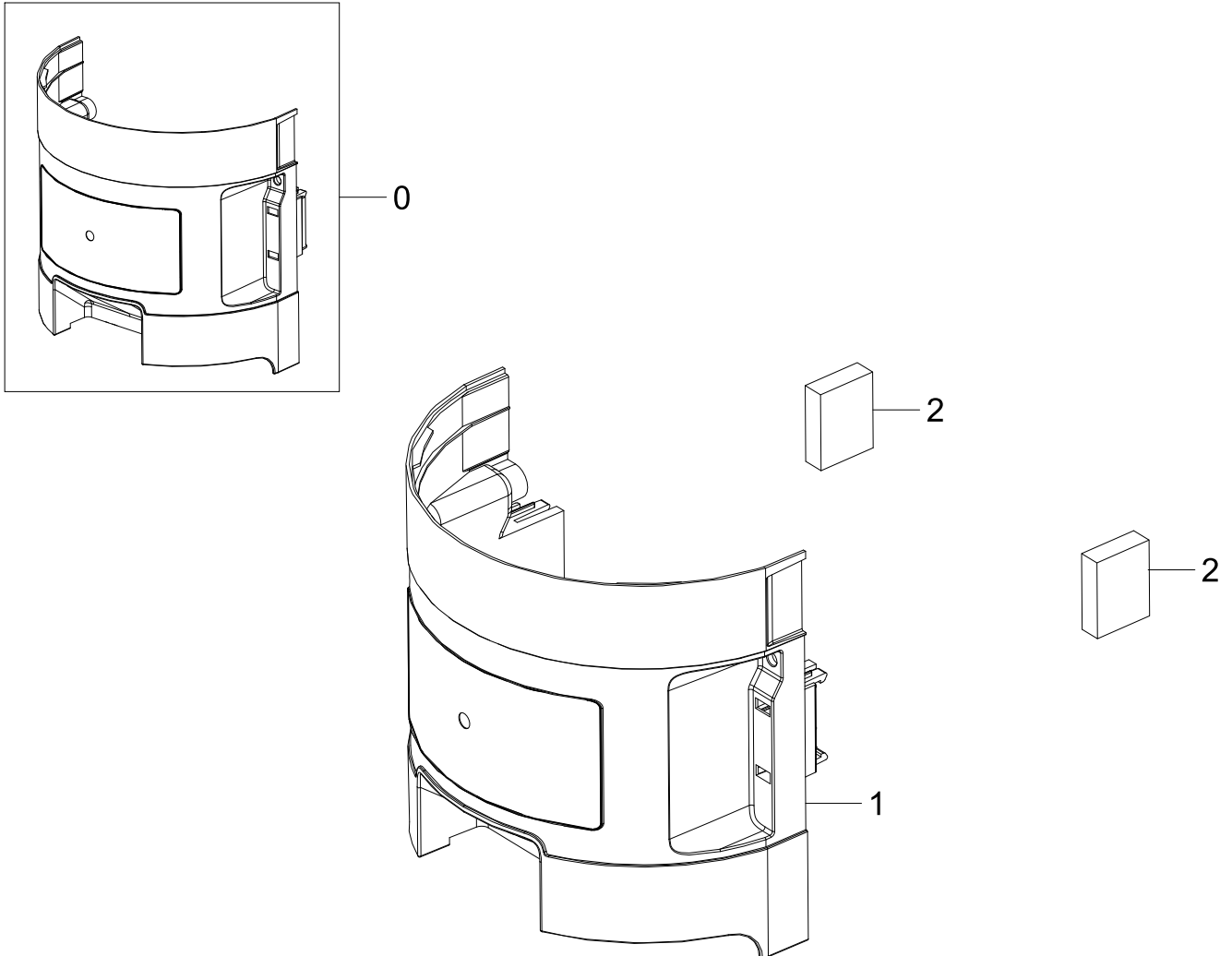
Parts List

No.	Lvl.	Loc.	Material Code	Description & Specification	SNA	Qty.
0	4	RB026	DJ97-03132G	ASSY COVER DUST; VS9500AL,GLOBAL,GOLD	SA	1
1	5		DJ63-01897B	COVER DECO; VS9500A,ABS,T2,W150,L52,CLEAR	SA	1
2	5		DJ61-02976B	HOLDER MID; VS9500,ABS,T2,L140,COTTA BLAC	SNA	1
3	5		DJ66-00907A	LEVER RELEASE; VS9500A,PC,SA-1220,AIRBORN	SA	1
4	5		DJ63-01909A	GASKET ETC; VS9500A,EPDM FOAM,T3,L357,EXT	SA	1
5	5		DJ39-00351B	WIRE HARNESS-PBA; 5P,Global,UL1061,#26,VS	SA	1
6	5		DJ61-02982B	FRAME; VS9500,PC,COTTA BLACK,T2,W20,L27,M	SNA	1
7	5		DJ37-00030A	TERMINAL; C2680,T0.5,NI PLATING	SNA	2
8	5		DJ63-00508S	FILTER SAFETY; VS9500A,T5,W40,L30,ADHESIV	SNA	2
9	5	RV005	6002-000239	SCREW-TAPPING; SWRCH18A,ZPC(WHT),L8,M4,TH	SNA	2
10	5	RV005	6003-000159	SCREW-TAPTYPE; PH,+,B,M3,L10,ZPC(BLK),SWR	SNA	2
11	5	RV005	6003-000170	SCREW-TAPTYPE; PH,+,B,M4,L12,ZPC(WHT),SWR	SNA	4
12	5		DJ64-01468B	BUTTON POWER; VS9500A,PMMA,WHITE,BRASS ME	SA	1
13	5		DJ61-00080A	SPRING ETC-LEVER; VC-8600,HSWR,0.4mm,ID2.	SA	1
14	5		DJ92-00218A	ASSY PBA MODULE; DISPLAY,VS9500AL,25mmX9m	SA	1
15	5		DJ61-02983A	HOLDER BUTTON; VS9500,PC,T2,L20,EBONY BLA	SA	1
16	5		DJ61-02984B	GUIDE AIR; VS9500,ABS,T2,L140,HG-0760GP,C	SNA	1
17	5		DJ61-02980A	GUIDE; VS9500,POM,T2,L49,K300,NATURAL	SA	1
18	5		DJ61-02979A	GUIDE ETC; VS9500,POM,T2,L40,K300,NATURAL	SA	1
19	5		DJ61-02977A	GUIDE LINK; VS9500,POM,T2,L30,K300,NATURA	SA	1
20	5		DJ31-00174A	MOTOR GEARED DC STEP; SP BN2H C,DC21.6V,0	SA	1
21	5		DJ39-00356B	WIRE HARNESS-TERMINAL; 2P,Global,Charging	SA	1

2.4. Assy Cover Front

Assy Cover Front

Exploded View



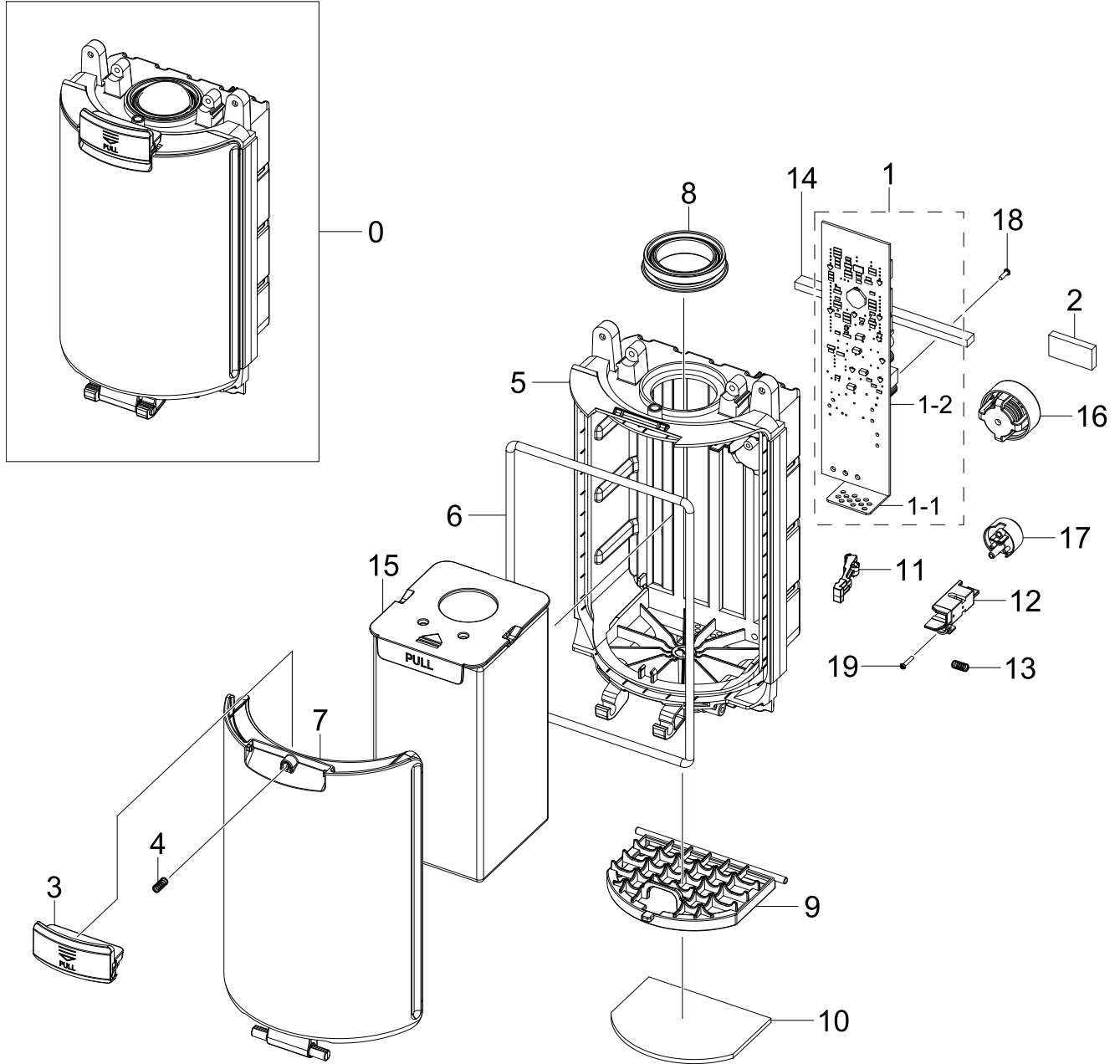
Parts List

No.	Lvl.	Loc.	Material Code	Description & Specification	SNA	Qty.
0	4	RB029	DJ97-03130A	ASSY COVER FRONT; VS9500A,Clean Station	SA	1
1	5	RB108	DJ63-01898A	COVER FRONT; VS9500,ABS,T2,W80,L80,CLEAR	SNA	1
2	5		DJ61-03057A	MAGNET FERRITE; VS9500A,MAGNET,T20,W7,L26	SNA	2

2.5. Assy Body Dust

Assy Body Dust

Exploded View



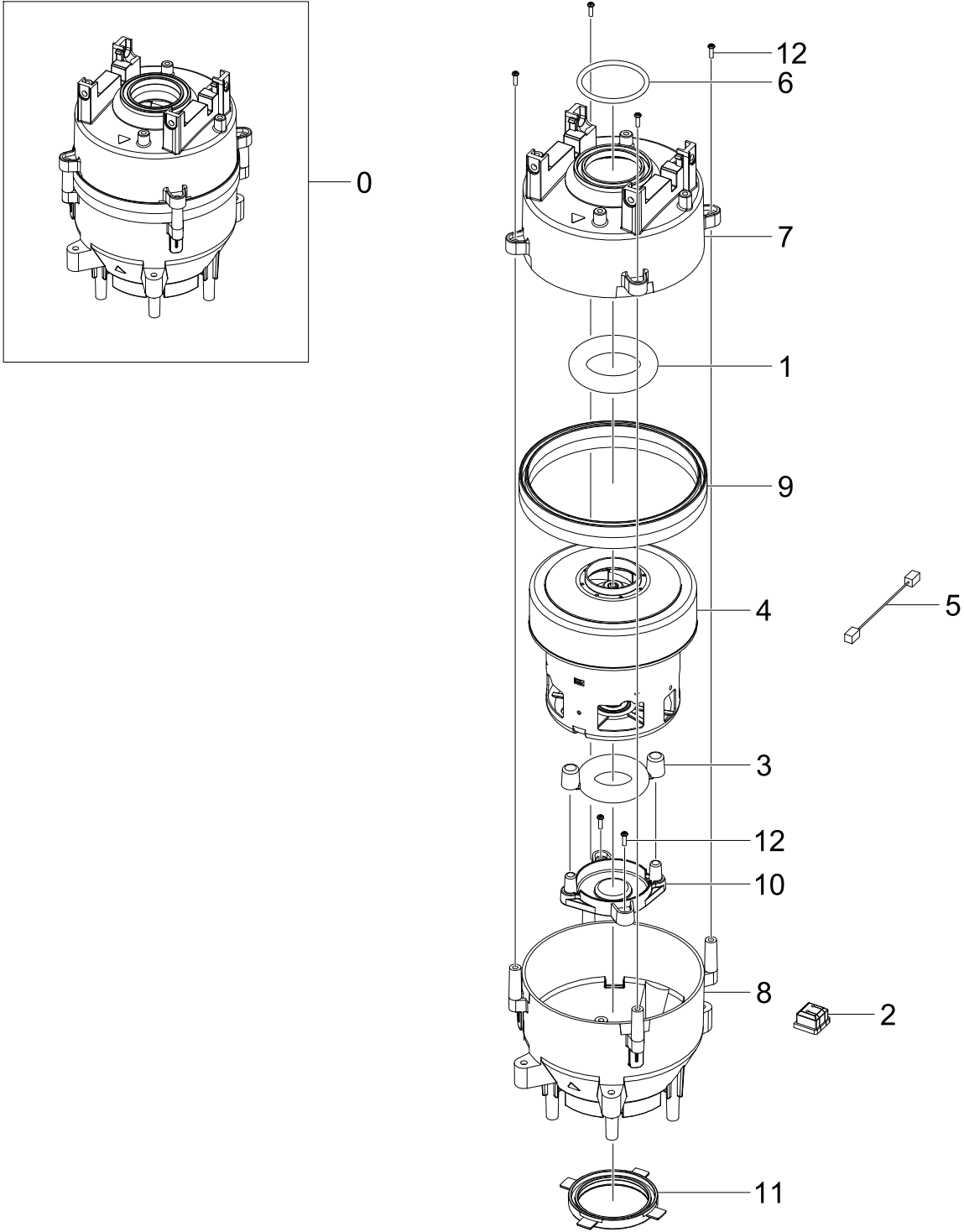
Parts List

No.	Lvl.	Loc.	Material Code	Description & Specification	SNA	Qty.
0	4	RB217	DJ97-03133B	ASSY BODY DUST; VS9500A,Clean Station, GL	SNA	1
1	5		DJ92-00229A	ASSY PBA MODULE; CLEAN STATION ON/OFF CON	SA	1
1-1	6	RV005	DJ62-00504A	HEAT SINK; VS9500,A1,T2,W30,L20,H30	SNA	1
1-2	6	RV004	1401-001120	THYRISTOR-TRIAC; 16A,600V	SNA	1
2	5		DJ63-00046F	SPONGE-H/SINK; RAMBO,CR FOAM,T5,W11,L39,B	SNA	1
3	5	RB095	DJ65-00090A	CLAMPER DUST; VS9500,ABS,CLEAR GRAY	SA	1
4	5		DJ61-02593A	SPRING ETC COIL; VS9000RL,STS304,0.6mm,ID	SA	1
5	5		DJ61-03013A	BODY DUST; VS9500,ABS,T2,CLEAR GRAY,GLOBA	SA	1
6	5		DJ63-01910B	GASKET CASE; VS9500A,TPV,TPV-45VSH-45A,T5	SNA	1
7	5	RB108	DJ63-01930A	COVER FRONT; VS9500,ABS,T2,W290.5,L128,CL	SNA	1
8	5		DJ63-01890A	GASKET DUCT; VS9500,TPV,TPV-45VSH-65A,T2,	SA	1
9	5		DJ64-01460A	GRILLE FILTER; VS9500A,PP,HB,NEUTRAL GRAY	SA	1
10	5		DJ63-01903A	FILTER GRILLE; VS9500A,T3,W85,L68,BLACK,C	SA	1
11	5		DJ66-00905A	LEVER; VS9500,ABS,HG-0760GP,CLEAR GRAY	SA	1
12	5		DJ61-02967A	HOLDER LOCK; VS9500,ABS,T2,L20,CLEAR GRAY	SA	1
13	5		DJ61-00080A	SPRING ETC-LEVER; VC-8600,HSWR,0.4mm,ID2.	SA	1
14	5		DJ63-00046H	SPONGE; VS9500A,CR FOAM,T5,W8,L120,BLACK	SNA	1
15	5		DJ67-00906B	BAG DUST MICRO; ABS/POLYESTER,W100,L85,H2	SA	1
16	5	RB032	DJ97-01965B	ASSY DAMPER; VC-F800G,L68,GRAY	SA	1
17	5		DJ96-00230F	ASSY SWITCH PRESSURE; VS9500A,1POLE,BLACK	SA	1
18	5	RV005	6002-000239	SCREW-TAPPING; SWRCH18A,ZPC(WHT),L8,M4,TH	SNA	1
19	5	RV005	6003-000159	SCREW-TAPTYPE; PH,+,B,M3,L10,ZPC(BLK),SWR	SNA	1

2.6. Assy Motor Parts_2

Assy Motor Parts_2

Exploded View



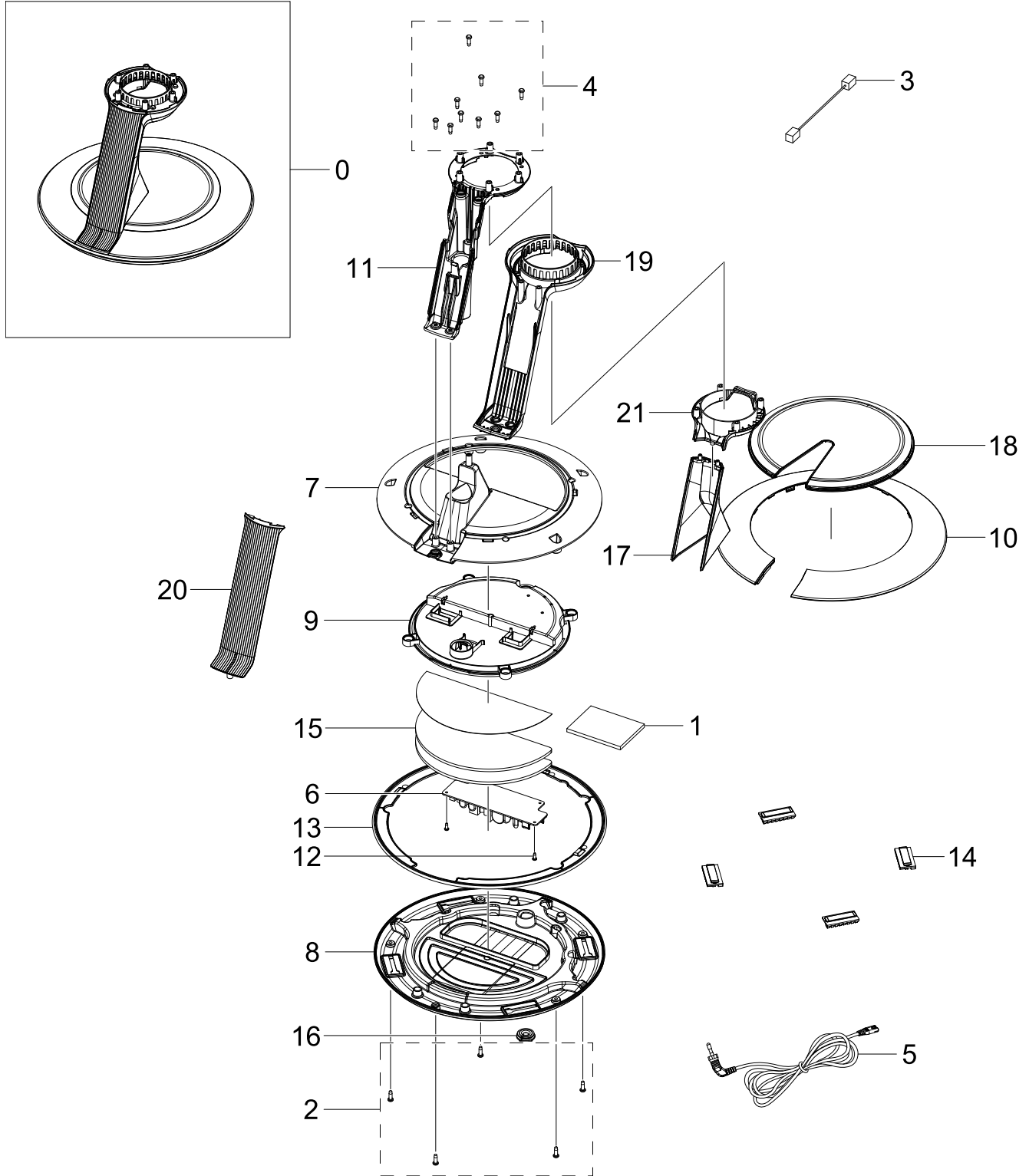
Parts List

No.	Lvl.	Loc.	Material Code	Description & Specification	SNA	Qty.
0	4		DJ94-01034B	ASSY MOTOR PARTS; VS9500AL,CLEAN STATION,	SNA	1
1	5		DJ69-00511A	CUSHION RING; CONCERTO,NR FOAM,BLACK,OD56	SA	1
2	5		DJ63-01306A	GASKET WIRE; SC21F70H,NBR,T3,W14.6,L14.6,	SA	1
3	5	RP223	DJ69-00398A	CUSHION-RING; TPV,OD45.5,ID23.5,H66.6,TPV	SA	1
4	5		DJ31-00142U	MOTOR UNIVERSAL FAN; VCM-K40AUAC,VCM-K40A	SA	1
5	5		DJ39-00234L	WIRE HARNESS-MOTOR; 3P,TP135,UL1569,#18,V	SA	1
6	5		DJ63-01908A	GASKET ETC; VS9500A,EPDM FOAM,T3,L131,EXT	SA	1
7	5	RJ024	DJ61-02966A	CASE MOTOR-UP; VS9500A,PC,T2,NATURAL,3022	SA	1
8	5	RJ022	DJ61-02985A	CASE MOTOR-LOW; VS9500A,PC,T2,NATURAL,302	SA	1
9	5		DJ63-01891A	GASKET CASE MOTOR; VS9500A,TPV,TPV-45VSH-	SA	1
10	5		DJ61-02989A	SUPPORT MOTOR; VS9500A,PP,T2.5,BJ750,NATU	SNA	1
11	5		DJ63-01884A	GASKET GRILLE; VS9500A,TPV,TPV-45VSH-65A,	SA	1
12	5	RV005	6003-000170	SCREW-TAPTYPE; PH,+B,M4,L12,ZPC(WHT),SWR	SNA	2

2.7. Assy Body Base

Assy Body Base

Exploded View



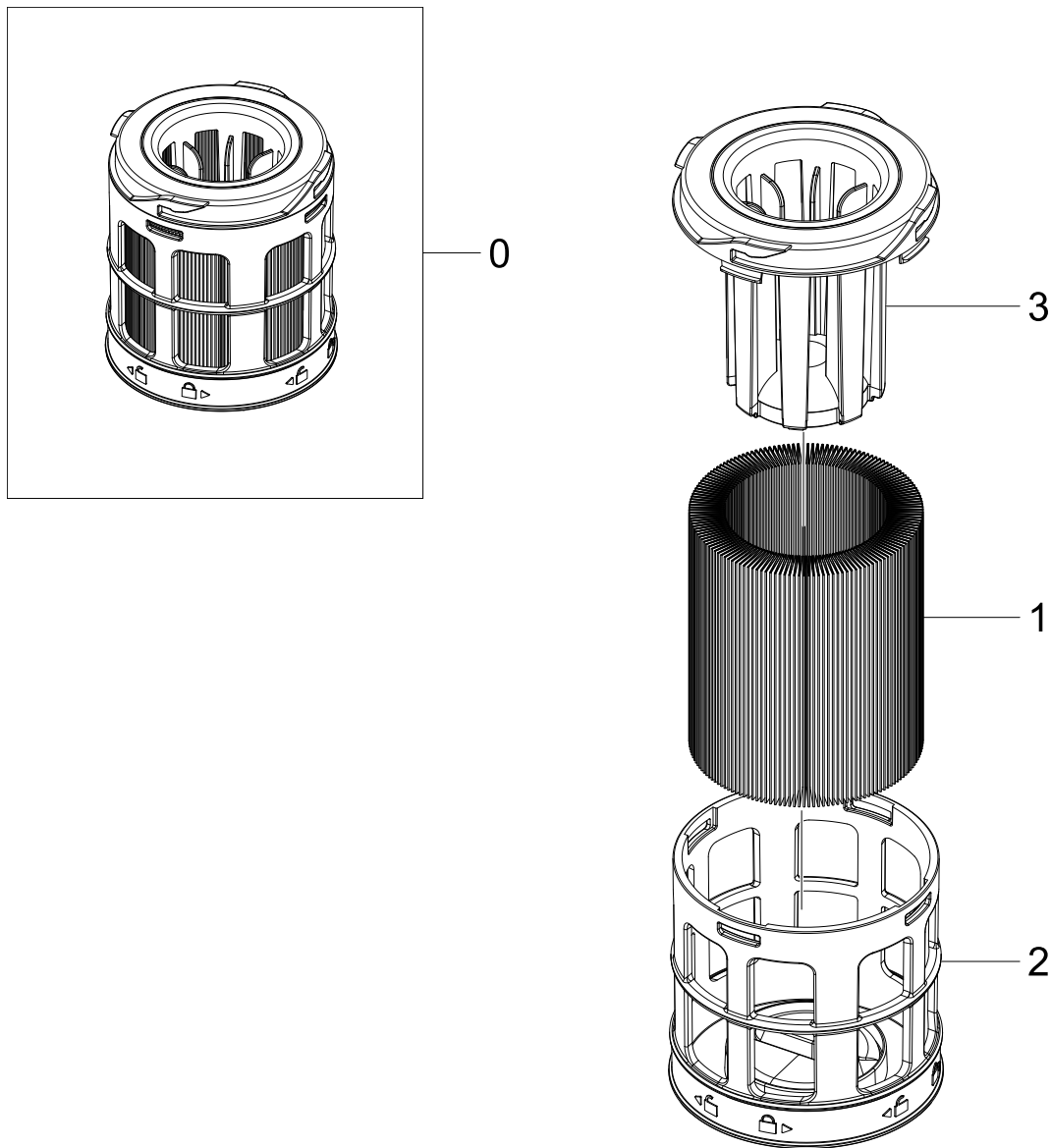
Parts List

No.	Lvl.	Loc.	Material Code	Description & Specification	SNA	Qty.
0	4	RB002	DJ97-03135G	ASSY BODY BASE; VS9500AL,MISTY WHITE,GOLD	SNA	1
1	5		DJ63-00508E	FILTER-SAFETY; SC9150,T5,W80,L60,ADHESIVE	SA	2
2	5	RV005	6003-001050	SCREW-TAPTYPE; SWRCH18A,PASS,L16,M4,PH,+	SNA	10
3	5		DJ39-00357A	WIRE HARNESS-PBA; 2P,CLEANSTATION,UL2095,	SA	1
4	5	RV005	6003-000170	SCREW-TAPTYPE; PH,+B,M4,L12,ZPC(WHT),SWR	SNA	4
5	5		DJ39-00367A	POWER CORD-AT; H05VV-F 2x1.0mm2,BLK,EU2S-	SA	1
6	5		DJ92-00223A	ASSY PBA MODULE; SMPS,VS9500AL,36W(DC 30V	SA	1
7	5		DJ61-02987A	HOLDER ETC; VS9500A,AL,L112,ALDC12	SNA	1
8	5		DJ61-02971A	BODY LOW; VS9500A,PC,EBONY BLACK,3025N1	SA	1
9	5	RB098	DJ63-01893A	COVER BASE; VS9500A,PC,EBONY BLACK,3025N1	SA	1
10	5		DJ64-01458C	DECORATION; VS9500A,ABS,MISTY WHITE	SA	1
11	5		DJ61-02972A	HOLDER MID; VS9500A,AL,-,L195,-,-,-,ALD	SA	1
12	5	RV005	6003-000159	SCREW-TAPTYPE; PH,+B,M3,L10,ZPC(BLK),SWR	SNA	2
13	5		DJ64-01466D	DECORATION COVER; VS9500AL,ABS,T2,BRASS M	SA	1
14	5		DJ67-00817A	RUBBER ADAPTER; VR7000M,Si,T4.5,NEUTRAL G	SA	4
15	5		DJ67-00903A	WEIGHT BALANCE; VS9500A,PO-SPHC,T4,L189.2	SA	2
16	5		DJ67-00900A	RUBBER BUMPER; VS9500A,TPV,T2,TPV-45VSH-6	SA	1
17	5		DJ61-02970A	BODY; VS9500A,ABS,T2,COTTA BLACK,HG-0760G	SA	1
18	5		DJ64-01465A	DECORATION PANEL; VS9500A,ABS,T2,COTTA BL	SA	1
19	5		DJ64-01464D	DECORATION MID; VS9500AL,ABS,T2,BRASS MET	SA	1
20	5		DJ64-01462C	DECORATION SIDE; VS9500A,ABS,MISTY WHITE	SA	1
21	5		DJ64-01467A	DECORATION FRONT; VS9500A,ABS,T2,COTTA BL	SA	1

2.8. Assy Grille Back

Assy Grille Back

Exploded View



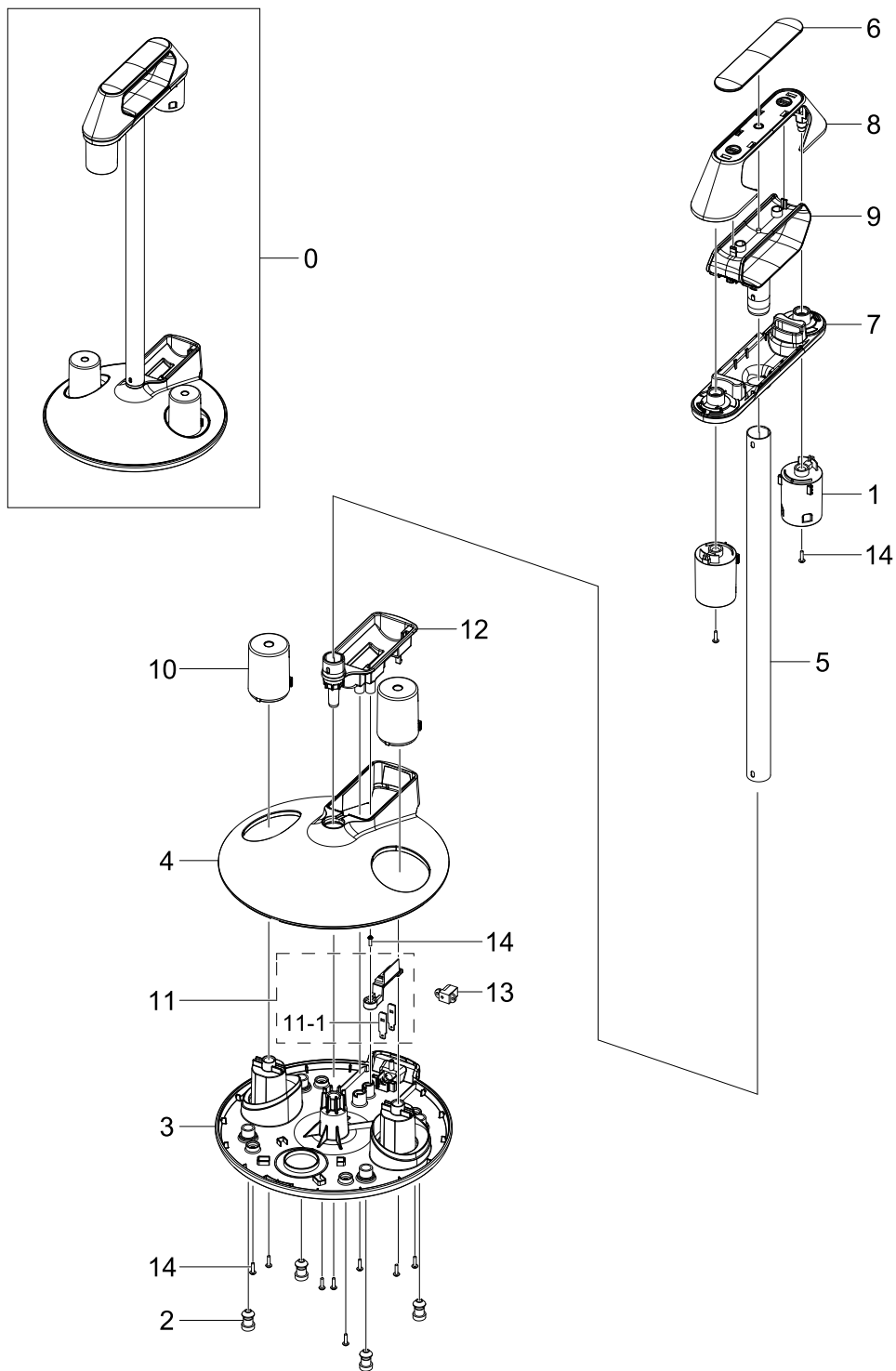
Parts List

No.	Lvl.	Loc.	Material Code	Description & Specification	SNA	Qty.
0	4	RB037	DJ97-03134A	ASSY GRILLE BACK; VS9500A,Clean Station	SA	1
1	5		DJ63-01904A	FILTER OUTLET; VS9500,T9,W59,L70.5,WHITE,	SNA	1
2	5		DJ64-01457A	GRILLE FILTER; VS9500A,PC,AZURE BLUE,3022	SNA	1
3	5		DJ61-02968A	HOLDER GRILLE; VS9500A,PC,T2,L66,AZURE BL	SNA	1

3. Assy Accessory Kit

Assy Accessory Kit

Exploded View



Parts List

No.	Lvl.	Loc.	Material Code	Description & Specification	SNA	Qty.
0	3	RA005	DJ98-01195B	ASSY ACCESSORY KIT; VS9500AL,BLACK CHROME	SNA	1
1	4		DJ61-02612D	HOLDER CONNECTOR; VS9500,ABS,T2,L50.7,BLA	SNA	2
2	4		DJ67-00835A	RUBBER ADAPTER; VS9000RL,TPV,TPV-45VSH-65	SA	4
3	4		DJ61-02965A	BODY LOW; VS9500,ABS,T2,TRUFFLE METAL,LU6	SNA	1
4	4		DJ61-02964B	BODY UP; VS9500,ABS,T2.5,BLACK CHROMETAL	SA	1
5	4		DJ62-00507A	PIPE; VS9500A,AI,ID18.4,OD20,T0.8,Extrude	SNA	1
6	4		DJ67-00902B	CAP HANDLE; VS9500,ABS,T2,W120.8,L25.3,HG	SNA	1
7	4	RB161	DJ64-01456B	HANDLE-LOW; VS9500,ABS,T2,HG-0760GP,BLACK	SNA	1
8	4	RB163	DJ64-01459B	HANDLE-UP; VS9500,ABS,T2,HG-0760GP,BLACK	SNA	1
9	4		DJ64-01461A	HANDLE BODY; VS9500,ABS,T2,LU637,TRUFFLE	SNA	1
10	4		DJ61-02973B	HOLDER CONNECTOR; VS9500,ABS,T2,L48.4,D34	SNA	2
11	4		DJ61-02974A	HOLDER ETC; VS9500,PC,T2,L55.2,COTTA BLAC	SNA	1
11-1	5		DJ37-00029A	TERMINAL; C2680,T0.5,Ni plating	SNA	2
12	4		DJ63-01894A	COVER BATTERY; VS9500,PC,T2,W22.2,L117.7,	SNA	1
13	4	RJ109	DJ39-00352A	WIRE HARNESS-POWER; 2P,DC JACK(TDC-019H),	SA	1
14	4	RV005	6002-000553	SCREW-TAPTYPE; PH,+B,M4,L12,ZPC(BLK),SWR	SNA	11