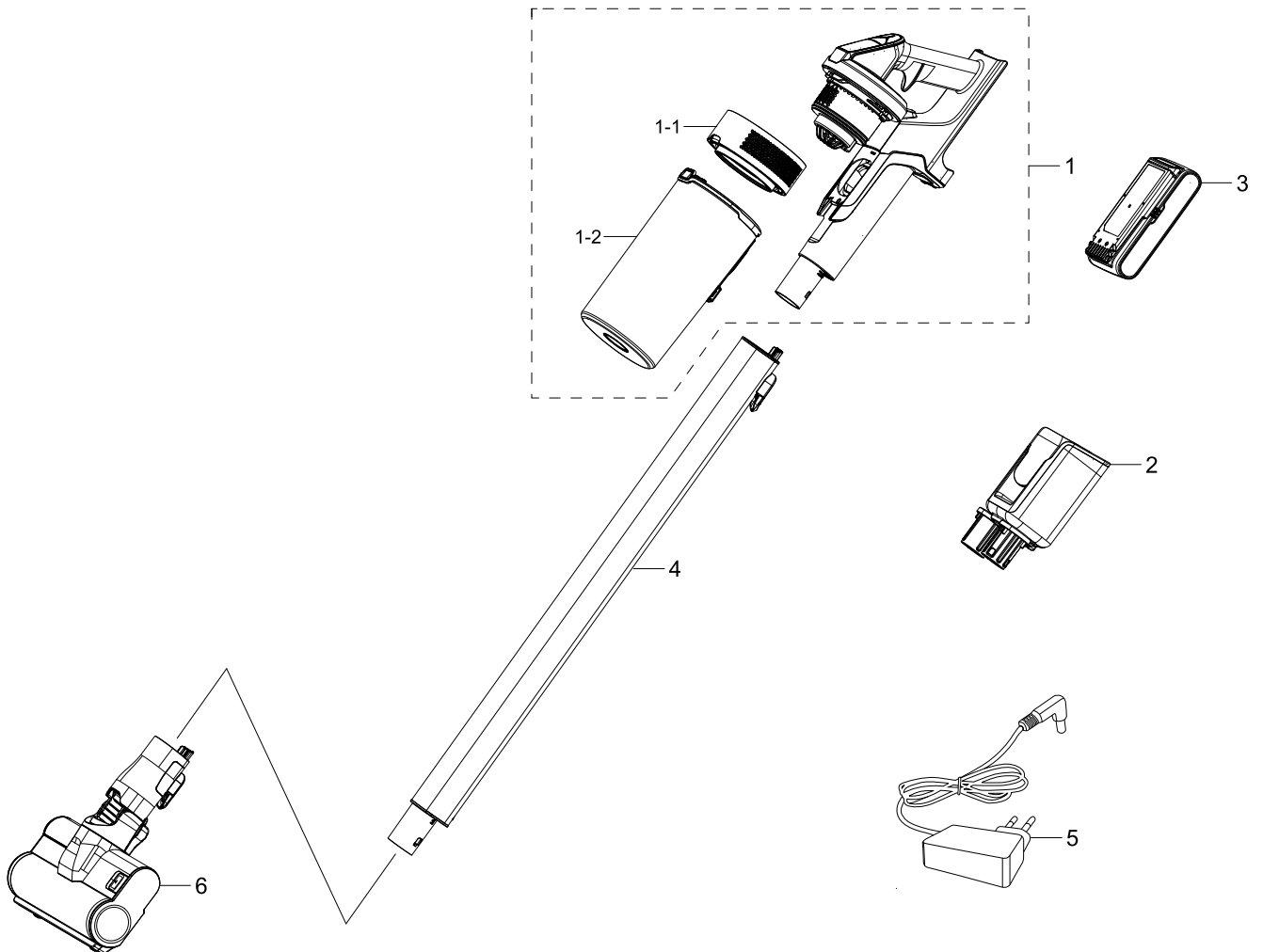


1. Main Body

Exploded View



Parts List

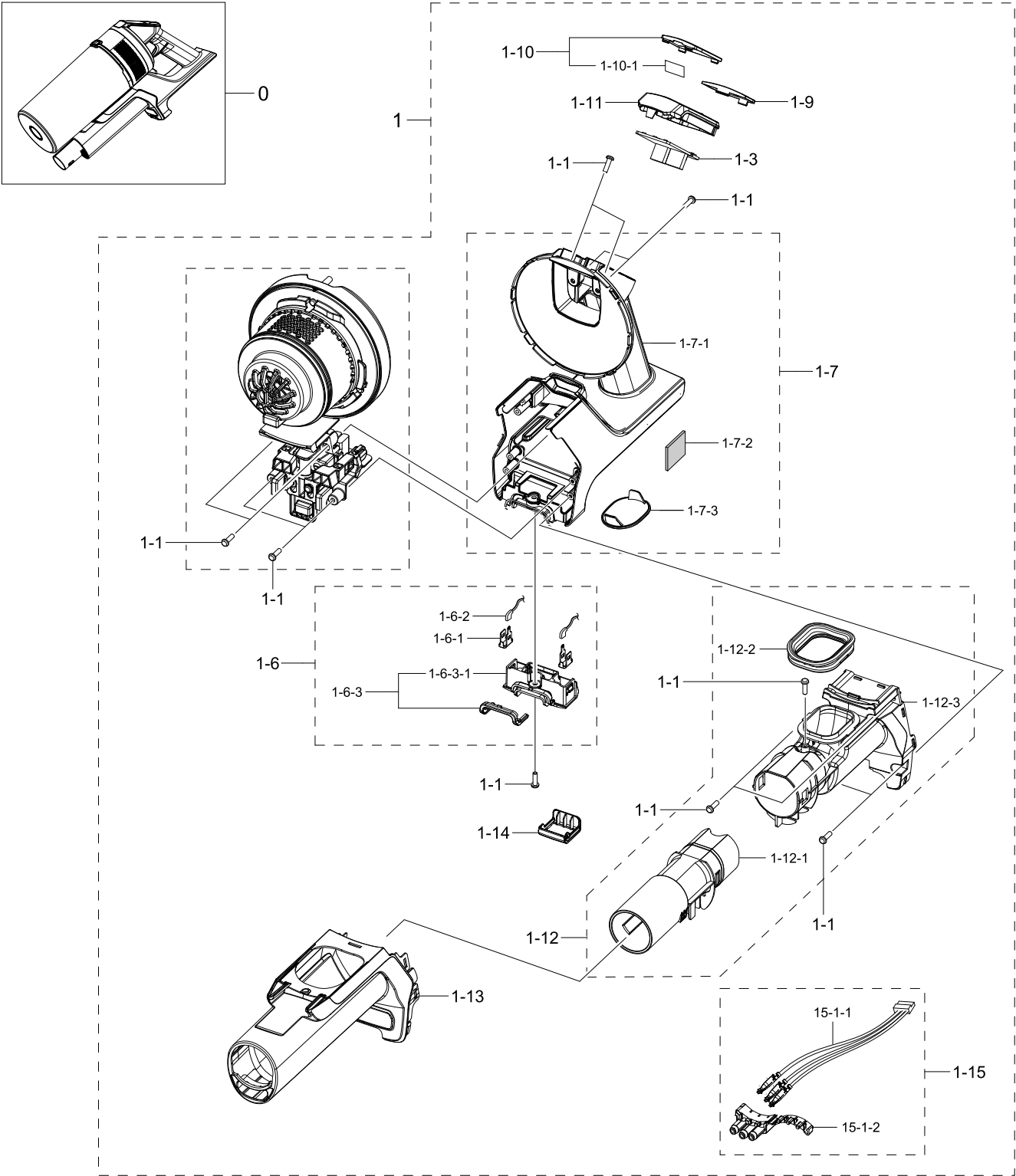
| No. | Lvl. | Loc. | Material Code | Description & Specification | SNA | Qty. |
|-----|------|-------|---------------|---|-----|------|
| 1 | 1 | | DJ97-02792L | ASSY HANDY; VS7000TL,ASSY HANDY,AIRBORNE, | SA | 1 |
| 1-1 | 2 | RB037 | DJ97-02641B | ASSY GRILLE BACK; VS9000RL-ESS,TEAL MINT, | SA | 1 |
| 1-2 | 2 | | DJ97-02835D | ASSY CYCLONE; VS7000TL,AIRBORNE,EXP,CYCLO | SA | 1 |
| 2 | 2 | RA014 | DJ96-00231B | ASSY CHARGER; VS7000TL,AIRBORNE | SA | 1 |
| 3 | 2 | | DJ96-00227A | ASSY BATTERY LI IB; Li-ion,21.6V,1800mAh, | SA | 1 |
| 4 | 2 | | DJ97-02823B | ASSY PIPE; VS7000TL,AL,BUCKLE,SILVER,SAND | SA | 1 |

Exploded Views and Parts List

| No. | Lvl. | Loc. | Material Code | Description & Specification | SNA | Qty. |
|-----|------|------|---------------|--|-----|------|
| 5 | 2 | | DJ44-00007C | ADAPTOR; DC25.85V,1.2A,AC100-240V,30W,0to | SA | 1 |
| 6 | 2 | | DJ97-02635E | ASSY BRUSH; VS9000RL,TURBO ACTION BRUSH,A | SA | 1 |

2. Assy Handy

Exploded View



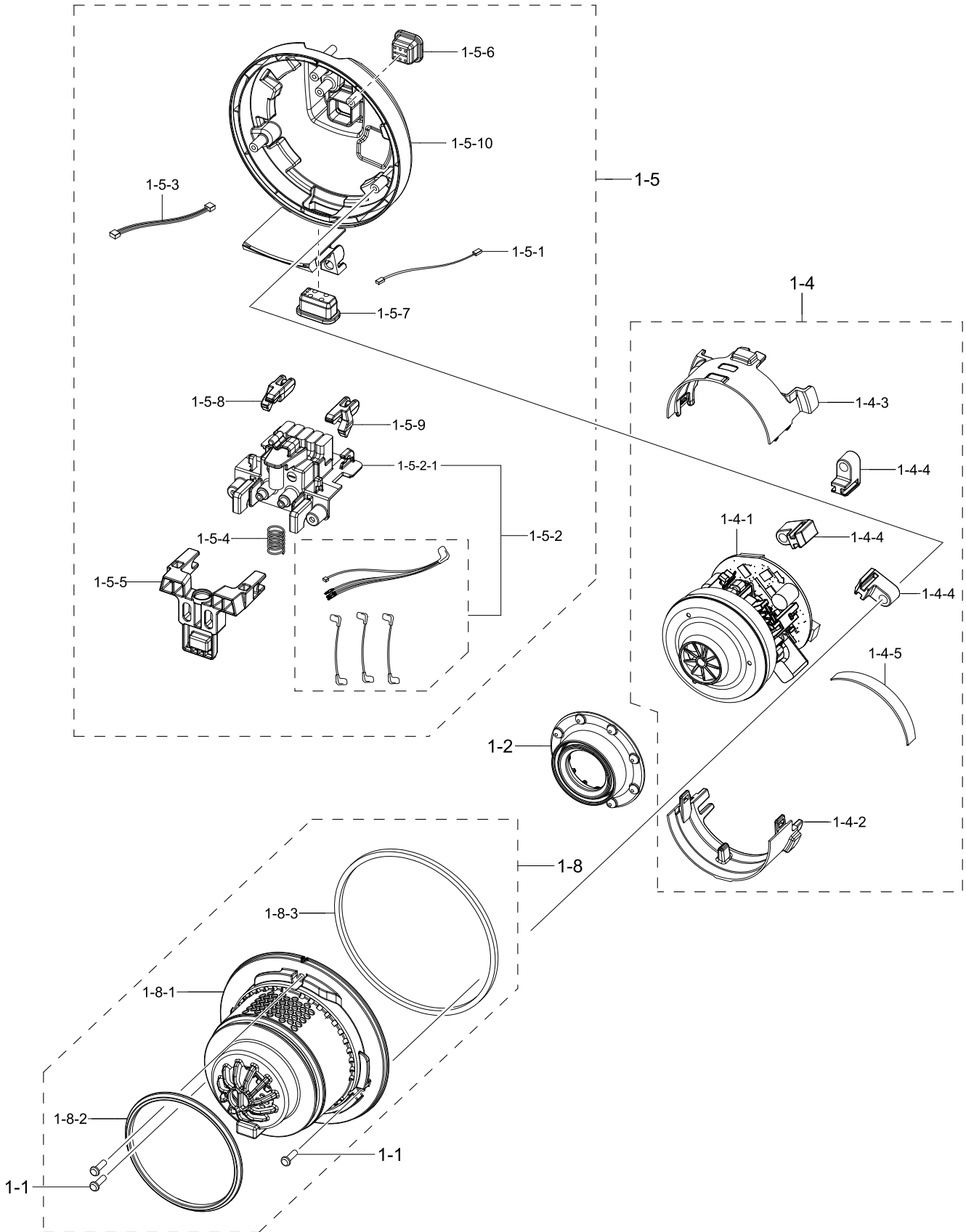
Parts List

| No. | Lvl. | Loc. | Material Code | Description & Specification | SNA | Qty. |
|---------|------|-------|---------------|---|-----|------|
| 0 | 1 | | DJ97-02792L | ASSY HANDY; VS7000TL,ASSY HANDY,AIRBONRE, | SA | 1 |
| 1 | 2 | RB001 | DJ97-02793L | ASSY BODY; VS7000TL,AIRBORNE,HEPA,PURE SI | SNA | 1 |
| 1-1 | 3 | RV005 | 6003-000159 | SCREW-TAPTYPE; PH,+ ,B,M3,L10,ZPC(BLK),SWR | SNA | 14 |
| 1-3 | 3 | | DJ92-00178A | ASSY MODULE; SUB,VS9000RL,3-Button, LED D | SA | 1 |
| 1-6 | 3 | | DJ97-02644B | ASSY HOLDER; VS9000RL-ESS,AIRBORNE,CHARGI | SA | 1 |
| 1-6-1 | 4 | | DJ37-00016A | TERMINAL; T0.5 | SNA | 2 |
| 1-6-2 | 4 | | DJ39-00284A | WIRE HARNESS-TERMINAL; 1P,CHARGER,UL3398, | SNA | 2 |
| 1-6-3 | 4 | | DJ63-01654B | CUSHION ETC; VS9000RL-ESS,TPE,W31.4,L9.5, | SNA | 1 |
| 1-6-3-1 | 5 | | DJ61-02558B | HOLDER ETC; VS9000RL-ESS,PC,L25.3,AIRBORN | SNA | 1 |
| 1-7 | 3 | RB034 | DJ97-02794A | ASSY FRAME; VS9000RL-ESS,AIRBORNE | SA | 1 |
| 1-7-1 | 4 | | DJ61-02617A | FRAME; VS9000E,PC,AIRBORNE,W97,ES3020N,An | SNA | 1 |
| 1-7-2 | 4 | | DJ63-01680A | FILTER SAFETY; VS9000RL,T5,W30,L40,EBONY | SNA | 1 |
| 1-7-3 | 4 | | DJ67-00831C | CAP ETC; VS9000RL-ESS,PC,T2,V-0,ES3020N,A | SNA | 1 |
| 1-9 | 3 | RB013 | DJ97-02678A | ASSY BUTTON; VS9000RL,BUTTON CONTROL | SA | 1 |
| 1-10 | 3 | RB025 | DJ97-02679B | ASSY COVER DISPLAY; VS9000RL,INLAY,EXP | SA | 1 |
| 1-10-1 | 4 | | DJ64-01366B | INLAY DISPLAY; VS9000RL,PC,T0.3,W37.8,L33 | SNA | 1 |
| 1-11 | 3 | RB188 | DJ64-01353B | PANEL CONTROL; VS9000RL-ESS,ABS,HG-0760GP | SA | 1 |
| 1-12 | 3 | RB033 | DJ97-02643A | ASSY DUCT INLET; VS9000RL | SA | 1 |
| 1-12-1 | 4 | | DJ62-00459A | PIPE CONNECTOR; VS9000RL,PC,ID30,OD33.8,G | SNA | 1 |
| 1-12-2 | 4 | | DJ63-01653A | GASKET DUCT; VS9000NL,TPV,TPV-45VSH-45A,T | SA | 1 |
| 1-12-3 | 4 | | DJ67-00832A | DUCT INLET; VS9000NL,PC+ABS,HI-1050,EBONY | SNA | 1 |
| 1-13 | 3 | | DJ61-02553F | FRAME FRONT; VS9000RL-ESS,ABS,NEAT WHITE, | SA | 1 |
| 1-14 | 3 | | DJ64-01350B | BUTTON PUSH; VS9000RL-ESS,PC,HB,AIRBORNE | SA | 1 |
| 1-15 | 3 | | DJ97-02671A | ASSY HOLDER; VS9000RL,PIPE-HANDY | SA | 1 |

| No. | Lvl. | Loc. | Material Code | Description & Specification | SNA | Qty. |
|--------|------|------|---------------|--|-----|------|
| 15-1-1 | 4 | | DJ39-00293A | WIRE HARNESS-TERMINAL; 3P,Pipe,UL3398,#22 | SNA | 1 |
| 15-1-2 | 4 | | DJ61-02555A | HOLDER TERMINAL; VS9000RL,PC,L25.5,EBONY | SNA | 1 |

2.1. Assy Handy_Assy Motor Parts

Exploded View



Parts List

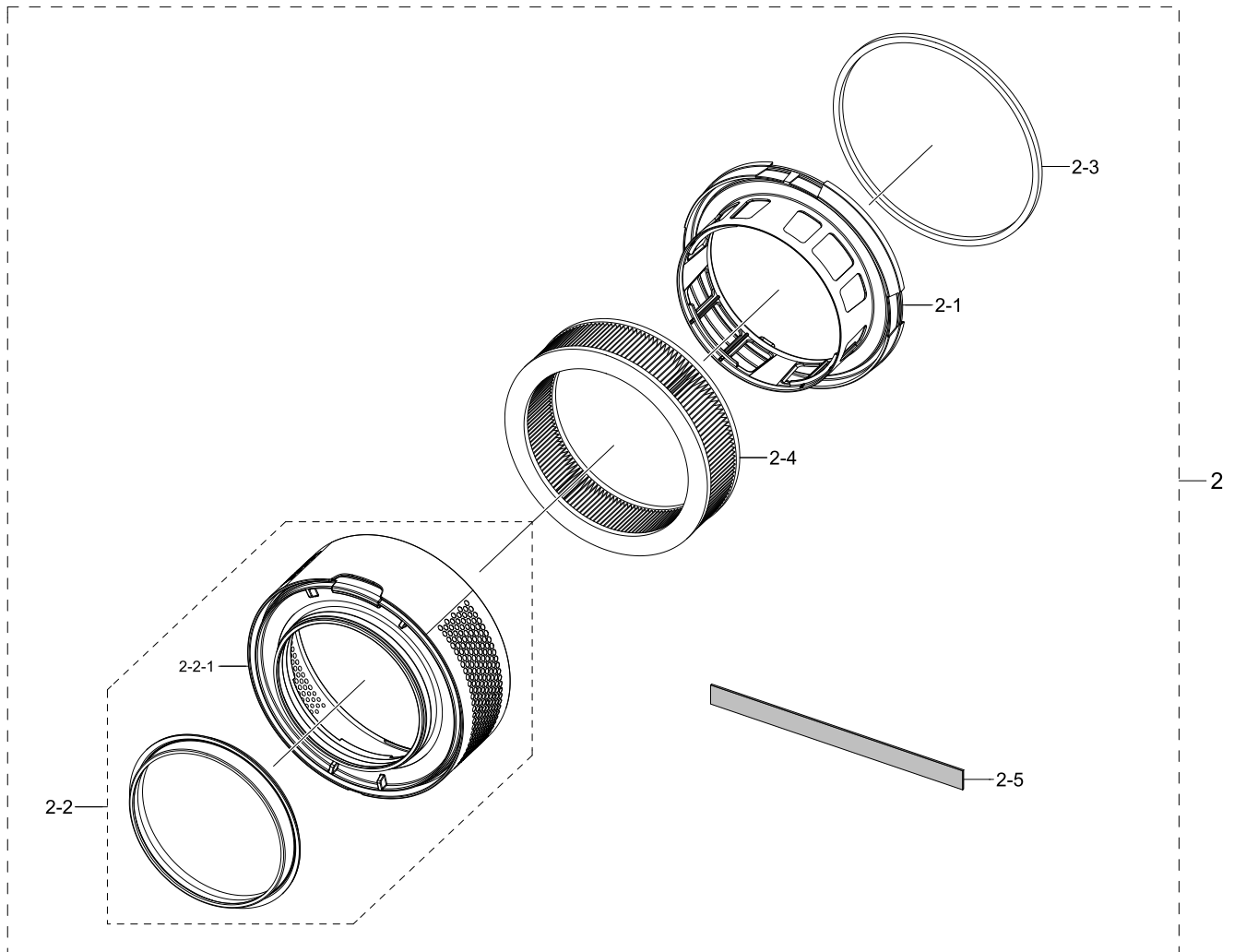
| No. | Lvl. | Loc. | Material Code | Description & Specification | SNA | Qty. |
|---------|------|-------|---------------|--|-----|------|
| 1-1 | 3 | RV005 | 6003-000159 | SCREW-TAPTYPE; PH,+,B,M3,L10,ZPC(BLK),SWR | SNA | 14 |
| 1-2 | 4 | | DJ63-01790A | CUSHION MOTOR; VS7000TL,NBR,T2,W56,L17.2, | SA | 1 |
| 1-4 | 3 | | DJ94-00892C | ASSY MOTOR PARTS; VS7000TL,WELLING,400CLW | SNA | 1 |
| 1-4-1 | 4 | | DJ31-00181A | MOTOR BLDC FAN; ZSDP-322-2-1,120krpm,21.6 | SA | 1 |
| 1-4-2 | 4 | | DJ61-02833A | HOLDER MOTOR; VS7000TL,PP+TD30%,L39.9,BLA | SA | 1 |
| 1-4-3 | 4 | | DJ61-02834A | HOLDER MOTOR; VS7000TL,PP+TD30%,L39.9,BLA | SA | 1 |
| 1-4-4 | 4 | | DJ63-01683A | CUSHION ETC; VS9000RL,NBR,W9.2,L16,EBONY | SNA | 3 |
| 1-4-5 | 4 | | DJ63-01686A | GASKET ETC; VS9000RL,EPDM FOAM,T1,W15,L20 | SA | 1 |
| 1-5 | 3 | | DJ97-02642C | ASSY HOLDER TERMINAL; VS9000RL-ESS,PURE S | SA | 1 |
| 1-5-1 | 5 | | DJ32-00022A | SENSOR MAG; TMR1032,5V,TMR,SMH200-03 | SNA | 1 |
| 1-5-2 | 4 | RJ189 | DJ39-00290A | WIRE HARNESS-STICK; 5P,UL3398,#14,VS9000R | SNA | 1 |
| 1-5-2-1 | 5 | | DJ61-02567A | HOLDER TERMINAL; VS9000NL,PK+GF5%,L52,BLA | SNA | 1 |
| 1-5-3 | 5 | | DJ39-00291A | WIRE HARNESS-PBA; 8P,DISPLAY,UL2651,#26,V | SNA | 1 |
| 1-5-4 | 4 | RP302 | DJ61-01350A | SPRING ETC-BUTTON; SU9380,HSWR,COD0.6,ID6 | SA | 1 |
| 1-5-5 | 4 | | DJ61-02557A | GUIDE LINK; VS9000NL,ABS,L32.5,HB,GP-35,N | SNA | 1 |
| 1-5-6 | 5 | | DJ63-01732A | GASKET WIRE; VS9000NL,TPV,TPV-45VS,BLACK, | SNA | 1 |
| 1-5-7 | 4 | | DJ63-01647A | GASKET WIRE; VS9000NL,NBR,T2.5,BATTERY | SNA | 1 |
| 1-5-8 | 4 | | DJ66-00824A | LEVER RELEASE; VS9000NL,ABS,HG-0760GP,EBO | SNA | 1 |
| 1-5-9 | 4 | | DJ66-00825A | LEVER RELEASE; VS9000NL,ABS,HG-0760GP,EBO | SNA | 1 |
| 1-5-10 | 4 | | DJ64-01351B | DECORATION COVER; VS9000RL-ESS,ABS,T2,NEU | SNA | 1 |
| 1-8 | 3 | RJ004 | DJ97-02670A | ASSY CASE MOTOR F; VS9000RL,BLACK | SA | 1 |
| 1-8-1 | 4 | RJ031 | DJ63-01656A | COVER MOTOR; VS9000NL,ABS,NEUTRAL GRAY,GP | SNA | 1 |

Exploded Views and Parts List

| No. | Lvl. | Loc. | Material Code | Description & Specification | SNA | Qty. |
|-------|------|------|---------------|--|-----|------|
| 1-8-2 | 4 | | DJ63-01657A | GASKET GRILLE; VS9000NL,TPV,TPV-45VSH-45A | SNA | 1 |
| 1-8-3 | 4 | | DJ63-01674A | GASKET ETC; VS9000RL,EVA FOAM,T3,W3,L154 | SNA | 1 |

2.2. Assy Handy_Assy Grille Back

Exploded View

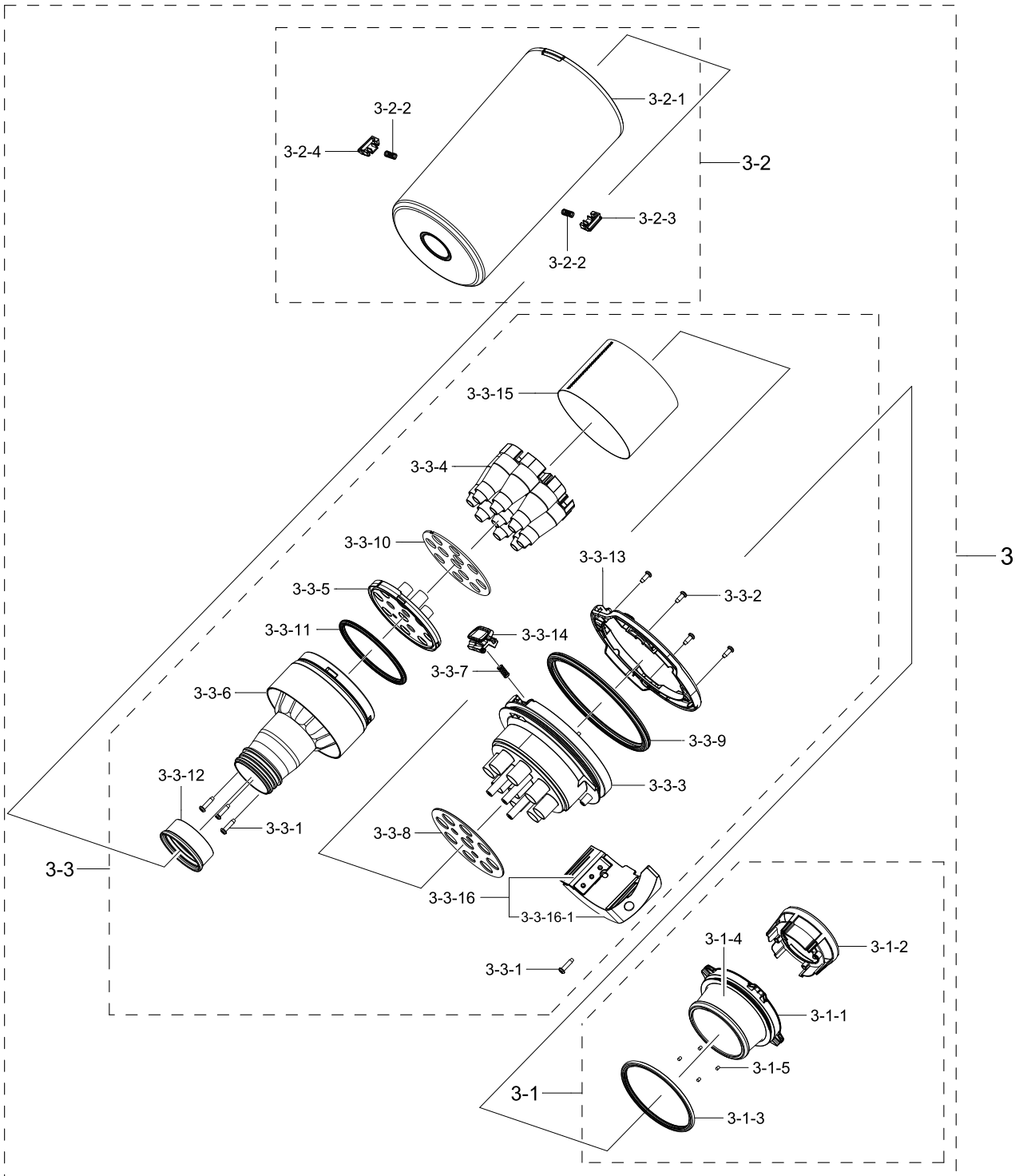


Parts List

| No. | Lvl. | Loc. | Material Code | Description & Specification | SNA | Qty. |
|-------|------|-------|---------------|--|-----|------|
| 2 | 2 | RB037 | DJ97-02641B | ASSY GRILLE BACK; VS9000RL-ESS,TEAL MINT, | SA | 1 |
| 2-1 | 3 | | DJ61-02559A | HOLDER GRILLE; VS9000NL,PC+ABS,L108,EBONY | SNA | 1 |
| 2-2 | 3 | | DJ63-01658B | GASKET GRILLE; VS9000ESS,TPE,OR3000PC,BLA | SNA | 1 |
| 2-2-1 | 4 | | DJ64-01355C | GRILLE FILTER; VS9000RL-ESS,ABS,HB,NEUTRA | SNA | 1 |
| 2-3 | 3 | | DJ63-01674A | GASKET ETC; VS9000RL,EVA FOAM,T3,W3,L154 | SNA | 1 |
| 2-4 | 3 | | DJ63-01675A | FILTER OUTLET; VS9000RL,T9,W26.5,PTFE9314 | SNA | 1 |
| 2-5 | 3 | | DJ63-01681A | ABSORBER ETC; VS9000RL,PET,T1.2 | SNA | 1 |

2.3. Assy Handy_Assy Cyclone

Exploded View



Parts List

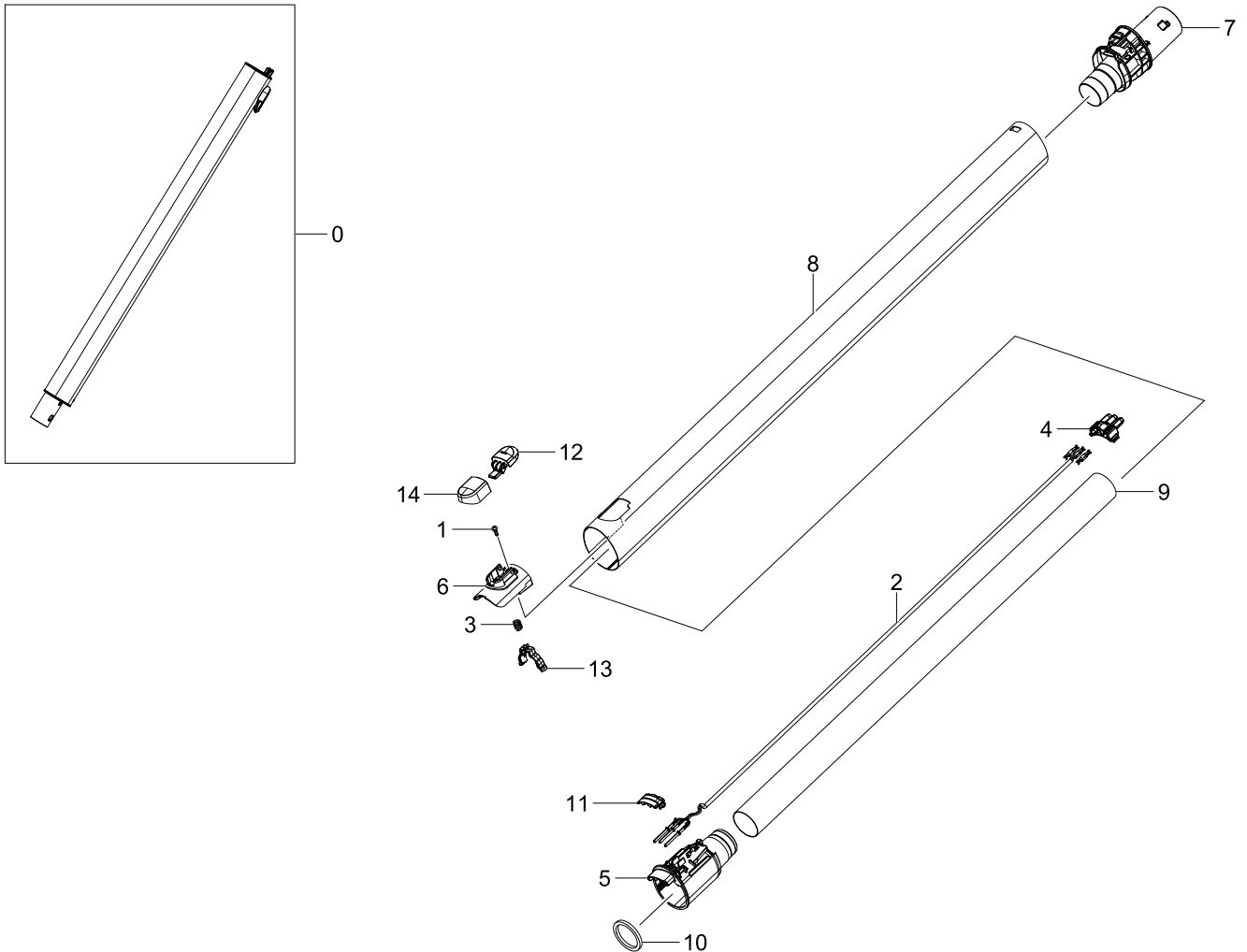
| No. | Lvl. | Loc. | Material Code | Description & Specification | SNA | Qty. |
|--------|------|-------|---------------|--|-----|------|
| 3 | 2 | | DJ97-02835D | ASSY CYCLONE; VS7000TL,AIRBORNE,EXP,CYCLO | SA | 1 |
| 3-1 | 3 | | DJ97-02649B | ASSY FILTER; VS9000RL,MICRO,DEEP BLUE,SOF | SA | 1 |
| 3-1-1 | 4 | | DJ61-02590A | HOLDER FILTER; VS9000NL,ABS,T1.2,L84.4,De | SNA | 1 |
| 3-1-2 | 4 | | DJ61-02591A | SUPPORT FILTER; VS9000NL,ABS,T1.2,HG-0760 | SNA | 1 |
| 3-1-3 | 4 | | DJ63-01671A | GASKET HOLDER; VS9000NL,TPV,TPV-45VSH-65A | SNA | 1 |
| 3-1-4 | 4 | | DJ63-01678B | FILTER CYCLONE; VS9000RL,SOFT SKY BLUE,FI | SNA | 1 |
| 3-1-5 | 4 | | DJ61-02608A | MAGNET NEODYMIUM-SENSOR; VS9000RL,Nd,T3,W | SNA | 4 |
| 3-2 | 3 | RL005 | DJ97-02829A | ASSY CASE; VS7000TL,GRAY TRP,No,0.8L | SA | 1 |
| 3-2-1 | 4 | | DJ61-02753A | CASE CYCLONE; VS9000-Renewal,PC,T1.4,GRAY | SNA | 1 |
| 3-2-2 | 4 | | DJ61-02594A | SPRING ETC COIL; VS9000RL,STS304,0.4mm,ID | SNA | 2 |
| 3-2-3 | 4 | | DJ64-01362A | BUTTON CYCLONE-LEFT; VS9000RL,ABS,Dark Ch | SNA | 1 |
| 3-2-4 | 4 | | DJ64-01363A | BUTTON CYCLONE-RIGHT; VS9000RL,ABS,Dark C | SNA | 1 |
| 3-3 | 3 | | DJ97-02837A | ASSY CYCLONE GRILLE; VS7000TL,Airborne,CY | SA | 1 |
| 3-3-1 | 4 | RV005 | 6002-000462 | SCREW-TAPPING; PH,+,2,M3,L10,ZPC(WHT),SWR | SNA | 4 |
| 3-3-2 | 4 | RV005 | 6002-001262 | SCREW-TAPTYPE; PH,+,B,M3,L8,PASS,STS304 | SNA | 4 |
| 3-3-3 | 4 | | DJ61-02761A | CASE CYCLONE-UP; VS9000RL,ABS,T1.4,DARK C | SNA | 1 |
| 3-3-4 | 4 | | DJ61-02765A | CASE CYCLONE-IN; VS9000RL,ABS,T1.2,EBONY | SNA | 1 |
| 3-3-5 | 4 | | DJ61-02762A | CASE CYCLONE-MIDDLE; VS9000RL,ABS,T1.2,AI | SNA | 1 |
| 3-3-6 | 4 | | DJ61-02764A | CASE CYCLONE-LOW; VS9000RL,ABS,T1.4,DARK | SNA | 1 |
| 3-3-7 | 4 | | DJ61-02593A | SPRING ETC COIL; VS9000RL,STS304,0.6mm,ID | SA | 1 |
| 3-3-8 | 4 | | DJ63-01762A | GASKET CYCLONE-MIDDLE; VS9000RL,EVA FOAM, | SNA | 1 |
| 3-3-9 | 4 | | DJ63-01668A | GASKET CYCLONE-UP; VS9000RL,PVC,LF-G31,T1 | SNA | 1 |
| 3-3-10 | 4 | | DJ63-01761A | GASKET CYCLONE-IN; VS9000RL,EVA FOAM,T1.5 | SNA | 1 |

Exploded Views and Parts List

| No. | Lvl. | Loc. | Material Code | Description & Specification | SNA | Qty. |
|----------|------|------|---------------|--|-----|------|
| 3-3-11 | 4 | | DJ63-01763A | GASKET ETC; VS9000RL,EVA FOAM,T2.5,W2.5,L | SNA | 1 |
| 3-3-12 | 4 | | DJ63-01670A | GASKET CYCLONE; VS9000RL,TPV,TPV-45VSH-65 | SNA | 1 |
| 3-3-13 | 4 | | DJ64-01360D | DECORATION CYCLONE-UP; VS9000RL-ESS,PC,T1 | SA | 1 |
| 3-3-14 | 4 | | DJ64-01361D | BUTTON CYCLONE; VS9000RL-ESS,PC,HB,AIRBOR | SNA | 1 |
| 3-3-15 | 4 | | DJ64-01401A | GRILLE CYCLONE; VS9000RL,AI,CYCLONE RENEW | SNA | 1 |
| 3-3-16 | 4 | | DJ97-02838A | ASSY GUIDE AIR; VS9000RL,Dark ChroMetal,C | SNA | 1 |
| 3-3-16-1 | 5 | | DJ61-02766A | GUIDE AIR; VS9000RL,PP,T1.5,L93,ML9500,DA | SA | 1 |

3. Assy Pipe

Exploded View



Parts List

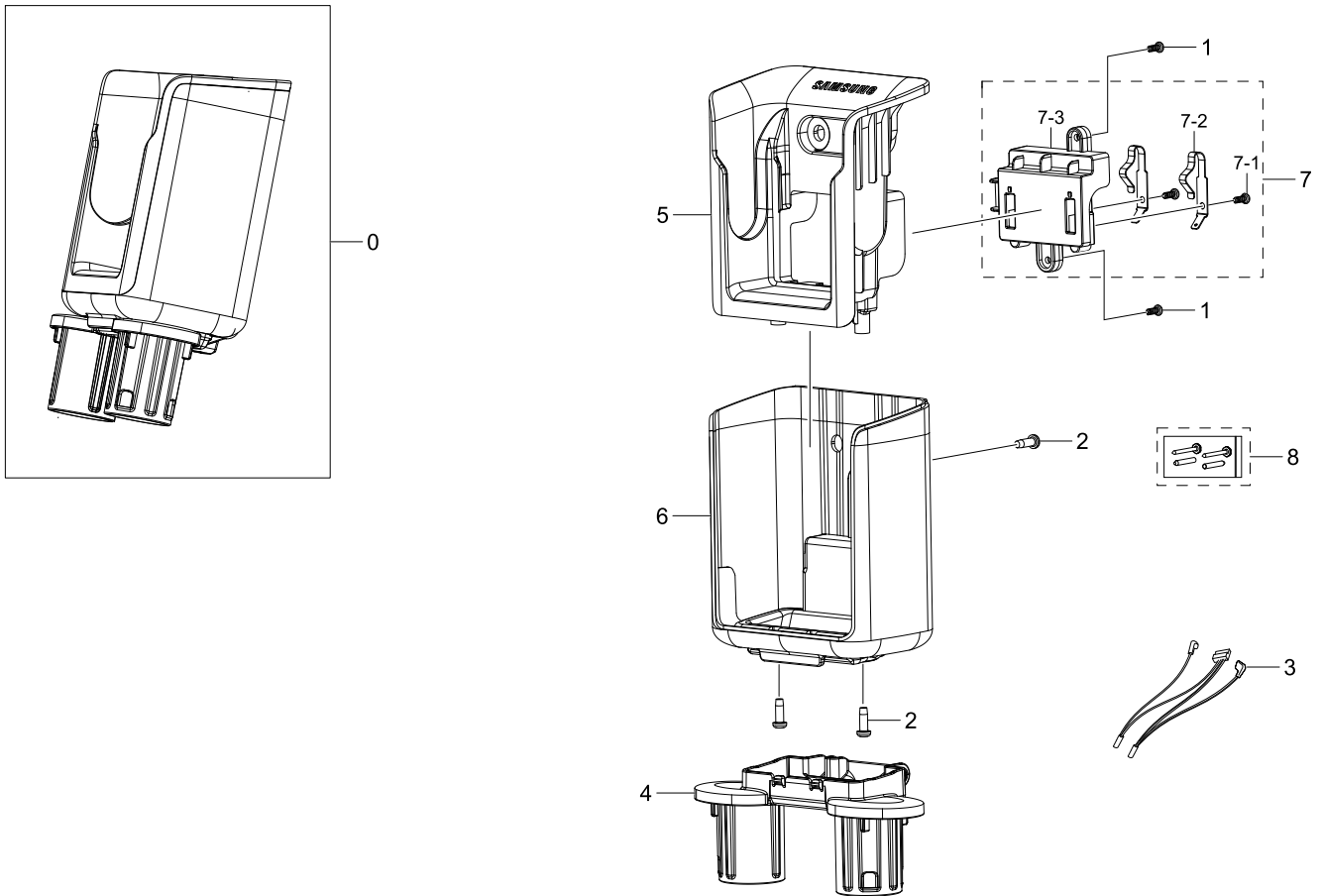
| No. | Lvl. | Loc. | Material Code | Description & Specification | SNA | Qty. |
|-----|------|-------|---------------|--|-----|------|
| 0 | 2 | | DJ97-02823B | ASSY PIPE; VS7000TL,AL,BUCKLE,SILVER,SAND | SA | 1 |
| 1 | 3 | RV005 | 6003-000167 | SCREW-TAPTYPE; PH,+,B,M3,L8,ZPC(BLK),SWRC | SNA | 1 |
| 2 | 3 | | DJ39-00303A | WIRE HARNESS-TERMINAL; 3P,UL2464,#24,VS75 | SNA | 1 |
| 3 | 3 | | DJ61-00584A | SPRING ETC-CAP; VC-MBM940,HSWR,CD0.7,OD7. | SA | 1 |
| 4 | 3 | | DJ61-02555A | HOLDER TERMINAL; VS9000RL,PC,L25.5,EBONY | SNA | 1 |
| 5 | 3 | | DJ61-02746A | HOLDER PIPE; VS9000-Renewal,PC,L95,D40.2, | SNA | 1 |

Exploded Views and Parts List

| No. | Lvl. | Loc. | Material Code | Description & Specification | SNA | Qty. |
|-----|------|-------|---------------|--|-----|------|
| 6 | 3 | | DJ61-02747A | HOLDER BUTTON; VS9000-Renewal,POM,L50.5,D | SNA | 1 |
| 7 | 3 | | DJ62-00481A | PIPE CONNECTOR; VS7000TL,PC,L120,GRAY TR- | SNA | 1 |
| 8 | 3 | | DJ62-00484B | PIPE OUTER; VS7000TL,A1,T0.7,SILVER,AL606 | SNA | 1 |
| 9 | 3 | | DJ62-00485A | PIPE INNER; VS7000TL,PP,T0.6,BLACK,BLACK, | SNA | 1 |
| 10 | 3 | | DJ63-01618A | GASKET ETC; VS8000ML,EPDM,BLACK,PET FILM, | SNA | 1 |
| 11 | 3 | RA051 | DJ63-01651A | COVER TERMINAL; VS9000NL,PC,V-0,EBONY BLA | SNA | 1 |
| 12 | 3 | | DJ64-01348B | KNOB PIPE; VS9000RL-ESS,PC,SILVER METAL | SA | 1 |
| 13 | 3 | | DJ66-00823A | LEVER RELEASE; VS9000NL,PC,3022R,GRAY TR- | SNA | 1 |
| 14 | 3 | | DJ67-00828B | CAP KNOB; VS9000RL-ESS,PC,V-2,M3020PN,SIL | SA | 1 |

4. Assy Charger

Exploded View



Parts List

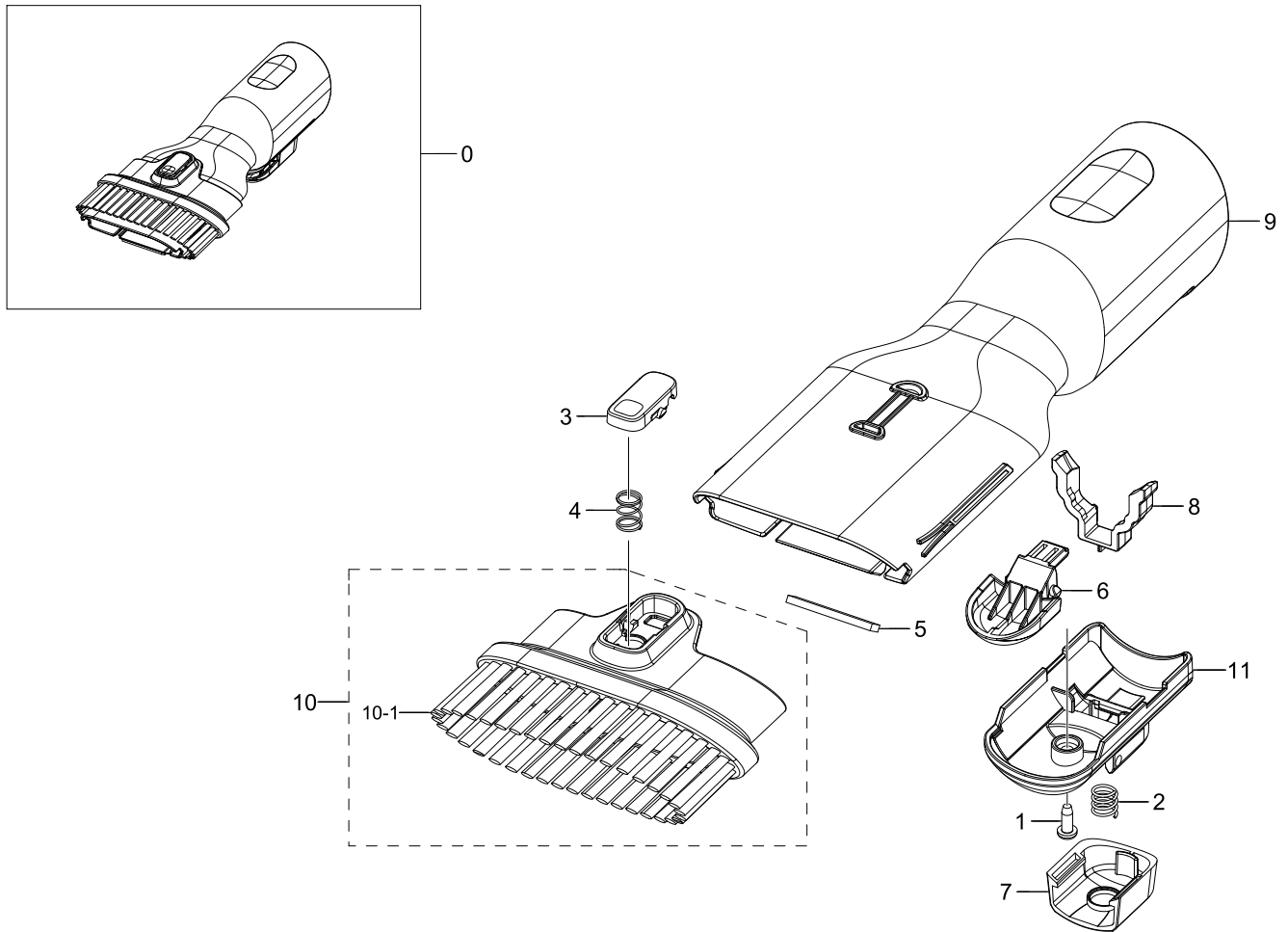
| No. | Lvl. | Loc. | Material Code | Description & Specification | SNA | Qty. |
|-----|------|-------|---------------|--|-----|------|
| 0 | 2 | RA014 | DJ96-00231B | ASSY CHARGER; VS7000TL,AIRBORNE | SA | 1 |
| 1 | 3 | RV005 | 6003-000167 | SCREW-TAPTYPE; PH,+,B,M3,L8,ZPC(BLK),SWRC | SNA | 2 |
| 2 | 3 | RV005 | 6003-000170 | SCREW-TAPTYPE; PH,+,B,M4,L12,ZPC(WHT),SWR | SNA | 3 |
| 3 | 3 | RJ109 | DJ39-00304A | WIRE HARNESS-POWER; 2P,DC JACK(DC-005C-1. | SA | 1 |
| 4 | 3 | | DJ61-02751B | HOLDER ACCESSORY; VS9000-Renewal,ABS,T2,L | SA | 1 |
| 5 | 3 | | DJ61-02752B | BODY CHARGER; VS9000-Renewal,ABS,T2.3,CLE | SA | 1 |
| 6 | 3 | | DJ63-01751B | COVER CHARGER; VS9000-Renewal,ABS,T3,AIRB | SNA | 1 |
| 7 | 3 | | DJ97-02824B | ASSY HOLDER TERMINAL; VS7000TL,CLEAR GRAY | SNA | 1 |

Exploded Views and Parts List

| No. | Lvl. | Loc. | Material Code | Description & Specification | SNA | Qty. |
|-----|------|-------|---------------|--|-----|------|
| 7-1 | 4 | RV005 | 6003-000167 | SCREW-TAPTYPE; PH,+,B,M3,L8,ZPC(BLK),SWRC | SNA | 2 |
| 7-2 | 4 | | DJ37-00019A | TERMINAL; VS9000RL,ASSY CHARGER HOLDER | SNA | 2 |
| 7-3 | 4 | | DJ61-02750B | HOLDER TERMINAL; VS9000-Renewal,PC,T2,L41 | SNA | 1 |
| 8 | 3 | | DJ98-01138A | ASSY ACCESSORY; VS9000RL,WALL MOUNT SCREW | SA | 1 |

5. Combination Tool

Exploded View



Parts List

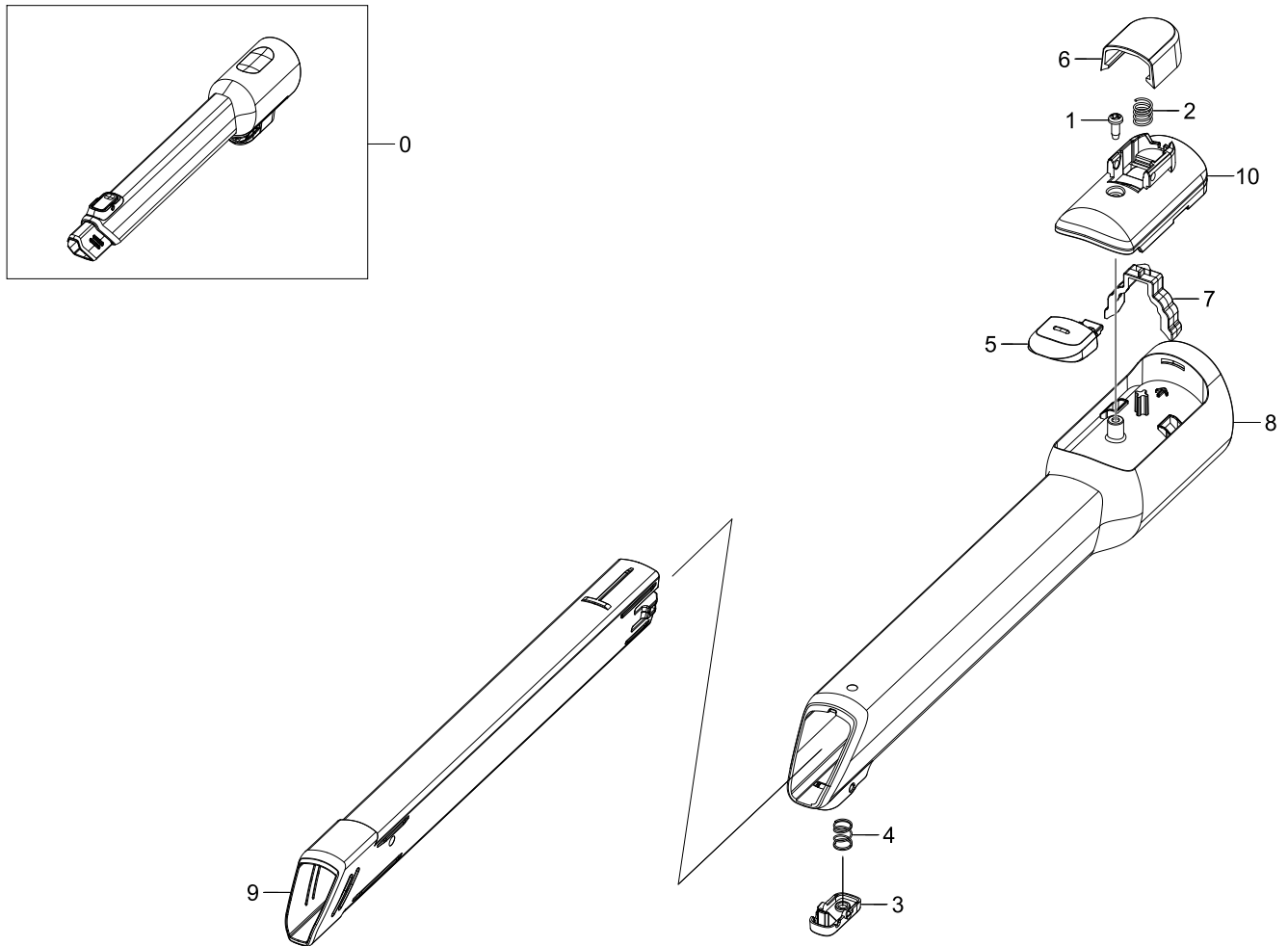
| No. | Lvl. | Loc. | Material Code | Description & Specification | SNA | Qty. |
|-----|------|-------|---------------|--|-----|------|
| 0 | 2 | RA002 | DJ98-01129B | ASSY ACCESSORY DUSTING; VS9000RL-ESS,DUST | SA | 1 |
| 1 | 3 | RV005 | 6002-000630 | SCREW-TAPPING; PH,+2S,M3,L8,ZPC(WHT),SWR | SNA | 1 |
| 2 | 3 | | DJ61-00584A | SPRING ETC-CAP; VC-MBM940,HSWR,CD0.7,OD7. | SA | 1 |
| 3 | 3 | | DJ64-01333C | BUTTON PUSH; VS9000RL-ESS,PC,V-2,AIRBORNE | SNA | 1 |
| 4 | 3 | | DJ61-02508A | SPRING ETC COIL; VS8000ML,HSWR,CD0.5,ID6. | SA | 1 |
| 5 | 3 | | DJ60-00057B | SPACER BRUSH; VS9000RL-ESS,WOOL,L26.5,Air | SNA | 1 |
| 6 | 3 | | DJ64-01348C | KNOB PIPE; VS9000RL-ESS,PC,AIRBORNE,BRUSH | SA | 1 |

Exploded Views and Parts List

| No. | Lvl. | Loc. | Material Code | Description & Specification | SNA | Qty. |
|------|------|-------|---------------|--|-----|------|
| 7 | 3 | | DJ67-00828C | CAP KNOB; VS9000RL-ESS,PC,V-2,3022R/3218E | SA | 1 |
| 8 | 3 | | DJ66-00823A | LEVER RELEASE; VS9000NL,PC,3022R,GRAY TR- | SNA | 1 |
| 9 | 3 | | DJ62-00454B | PIPE CONNECTOR; VS9000RL-ESS,ABS,ID35.1,T | SNA | 1 |
| 10 | 3 | RA036 | DJ67-00827B | BRUSH DUSTING; VS9000RL-ESS,ABS,AIRBORNE | SNA | 1 |
| 10-1 | 4 | | DJ62-00371H | NOZZLE BRUSH; VS9000RL,PA,T0.15,L28,BLACK | SNA | 6 |
| 11 | 3 | | DJ63-01644B | COVER HOLDER; VS9000RL-ESS,ABS,T2,W33.6,L | SA | 1 |

6. Crevice Tool

Exploded View



Parts List

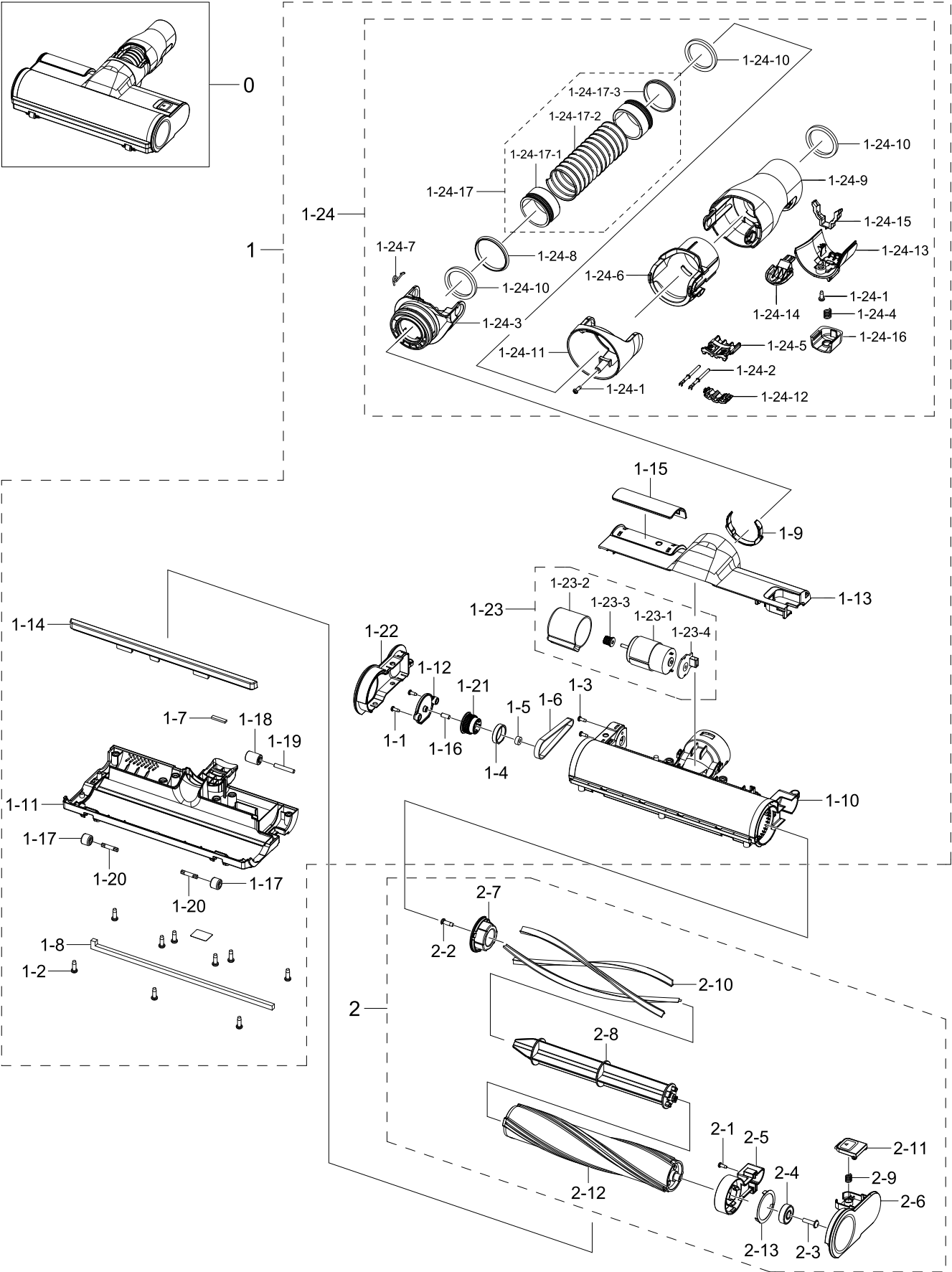
| No. | Lvl. | Loc. | Material Code | Description & Specification | SNA | Qty. |
|-----|------|-------|---------------|--|-----|------|
| 0 | 2 | RA001 | DJ98-01130B | ASSY ACCESSORY CREVICE; VS9000RL,CREVICE, | SA | 1 |
| 1 | 3 | RV005 | 6002-000630 | SCREW-TAPPING; PH,+,2S,M3,L8,ZPC(WHT),SWR | SNA | 1 |
| 2 | 3 | | DJ61-00584A | SPRING ETC-CAP; VC-MBM940,HSWR,CD0.7,OD7. | SA | 1 |
| 3 | 3 | | DJ64-01333C | BUTTON PUSH; VS9000RL-ESS,PC,V-2,AIRBORNE | SNA | 1 |
| 4 | 3 | | DJ61-02508A | SPRING ETC COIL; VS8000ML,HSWR,CD0.5,ID6. | SA | 1 |
| 5 | 3 | | DJ64-01348C | KNOB PIPE; VS9000RL-ESS,PC,AIRBORNE,BRUSH | SA | 1 |
| 6 | 3 | | DJ67-00828C | CAP KNOB; VS9000RL-ESS,PC,V-2,3022R/3218E | SA | 1 |

Exploded Views and Parts List

| No. | Lvl. | Loc. | Material Code | Description & Specification | SNA | Qty. |
|-----|------|-------|---------------|--|-----|------|
| 7 | 3 | | DJ66-00823A | LEVER RELEASE; VS9000NL,PC,3022R,GRAY TR- | SNA | 1 |
| 8 | 3 | | DJ62-00455B | PIPE CONNECTOR; VS9000RL-ESS,ABS,ID35.1,L | SNA | 1 |
| 9 | 3 | RA078 | DJ62-00456B | PIPE CREVICE; VS9000ESS,ABS,L241.8,SILVER | SA | 1 |
| 10 | 3 | | DJ63-01644B | COVER HOLDER; VS9000RL-ESS,ABS,T2,W33.6,L | SA | 1 |

7. Carpet Brush

Exploded View



Parts List

| No. | Lvl. | Loc. | Material Code | Description & Specification | SNA | Qty. |
|------|------|-------|---------------|---|-----|------|
| 0 | 2 | | DJ97-02635E | ASSY BRUSH; VS9000RL,TURBO ACTION BRUSH,A | SA | 1 |
| 1 | 3 | | DJ97-02852C | ASSY BODY BRUSH; VS9000RL,AIRBORNE,TURBO | SA | 1 |
| 1-1 | 4 | RV005 | 6002-000630 | SCREW-TAPPING; PH,+,2S,M3,L8,ZPC(WHT),SWR | SNA | 2 |
| 1-2 | 4 | RV005 | 6003-000170 | SCREW-TAPTYPE; PH,+,B,M4,L12,ZPC(WHT),SWR | SNA | 9 |
| 1-3 | 4 | RV005 | 6006-000130 | SCREW-MACHINE; PH,+,WS,M3,L8,ZPC(WHT),SWR | SNA | 2 |
| 1-4 | 4 | | 6601-003318 | BEARING-OILLESS; ID18.4,OD22.2,L5.1,SBF41 | SNA | 1 |
| 1-5 | 4 | | 6601-003453 | BEARING BALL; 684ZZMC3,ID4,OD9,L4,STB2,68 | SNA | 1 |
| 1-6 | 4 | | 6602-003994 | BELT-TIMING GEAR; 2M-170-6,NBR,T1.38,W6,L | SNA | 1 |
| 1-7 | 4 | | DJ60-00040A | SPACER BRUSH; VS6000KL,WOOL,L18,PORSCHE R | SNA | 3 |
| 1-8 | 4 | | DJ60-00050A | SPACER BRUSH; VS8000ML,WOOL,L245,W5,80K, | SNA | 1 |
| 1-9 | 4 | | DJ61-02533A | GUIDE KEY; VS8000ML,POM,L38.4,K300,NATURA | SNA | 1 |
| 1-10 | 4 | | DJ61-02538A | CASE DRUM; VS8000ML,PC,GRAY TR-P,CARPET B | SNA | 1 |
| 1-11 | 4 | | DJ61-02539B | BODY BRUSH; VS9000RL,PC,BLACK,TURBO ACTIO | SA | 1 |
| 1-12 | 4 | | DJ63-01604A | COVER GEAR BOX; VS8000ML,PC,V-2,BLACK,ONE | SNA | 1 |
| 1-13 | 4 | | DJ63-01639C | COVER BRUSH; VS9000RL-ESS,ABS,HB,AIRBORNE | SNA | 1 |
| 1-14 | 4 | | DJ63-01640B | BAND BRUSH; VS9000ESS,TPEE,AIRBORNE GRAY3 | SNA | 1 |
| 1-15 | 4 | | DJ64-01330E | DECORATION COVER; VS9000ESS,ABS,AIRBORNE, | SNA | 1 |
| 1-16 | 4 | | DJ66-00549C | SHAFT ETC; VS8000ML,STS304,9.5,4.0,GEAR B | SNA | 1 |
| 1-17 | 4 | | DJ66-00806A | ROLLER; VS8000ML,NBR,OD12,BLACK,ONE DRUM | SA | 2 |
| 1-18 | 4 | | DJ66-00813A | ROLLER-OUT; VS8000ML,TPEE,OD12,BLACK | SA | 1 |
| 1-19 | 4 | RP294 | DJ70-30110A | SHAFT ROLLER-B; VC-DOM,MSWR,L26,OD3.9,ZPC | SA | 1 |
| 1-20 | 4 | | DJ66-00836A | SHAFT ROLLER; VS9000RL,MSWR,L20.4,OD3.9,D | SA | 2 |

| No. | Lvl. | Loc. | Material Code | Description & Specification | SNA | Qty. |
|---------|------|-------|---------------|--|-----|------|
| 1-21 | 4 | | DJ66-00820A | PULLEY DRUM; VS8000ML,POM,NATURAL,K300 | SNA | 1 |
| 1-22 | 4 | | DJ67-00806C | CAP CASE; VS9000RL-ESS,ABS,HB,HG-0760GP,A | SNA | 1 |
| 1-23 | 4 | | DJ94-00889A | ASSY MOTOR PARTS; VS9000RL,RS445,TURBO AC | SNA | 1 |
| 1-23-1 | 5 | RJ077 | DJ31-00168A | MOTOR DC; RS445-ST-2670,7652rpm,18.0V,1.1 | SNA | 1 |
| 1-23-2 | 5 | | DJ63-01602A | CUSHION MOTOR; VS8000M,TPEE,T1.2,W37,L36. | SNA | 1 |
| 1-23-3 | 5 | | DJ66-00832A | PULLEY TURBINE; VS9000RL,SMF5030,Type 15- | SNA | 1 |
| 1-23-4 | 5 | | DJ92-00184A | ASSY MODULE; BRUSH MOTOR,VS9000RL,GREEN,S | SNA | 1 |
| 1-24 | 4 | | DJ97-02661B | ASSY PIPE C/BRUSH; VS9000ESS,PC,DOM,L148. | SNA | 1 |
| 1-24-1 | 5 | RV005 | 6002-000630 | SCREW-TAPPING; PH,+2S,M3,L8,ZPC(WHT),SWR | SNA | 2 |
| 1-24-2 | 5 | | DJ39-00285A | WIRE HARNESS-MOTOR; 2P,BRUSH(TURBO ACTION | SNA | 1 |
| 1-24-3 | 5 | | DJ60-00046C | CONNECTOR BRUSH; PC,VS9000ESS,AIRBORNE,V- | SNA | 1 |
| 1-24-4 | 5 | | DJ61-00584A | SPRING ETC-CAP; VC-MBM940,HSWR,CD0.7,OD7. | SA | 1 |
| 1-24-5 | 5 | | DJ61-02551A | HOLDER TERMINAL; VS9000NL,PC,L30,EBONY BL | SNA | 1 |
| 1-24-6 | 5 | | DJ61-02565B | HOLDER ETC; VS9000ESS,PC,L76.3,AIRBORNE,V | SNA | 1 |
| 1-24-7 | 5 | | DJ61-02592A | SPRING ETC; VS9000RL,HSWR,1.2mm,ID3.2,OD5 | SNA | 1 |
| 1-24-8 | 5 | | DJ62-00300A | SEAL-C/PIPE; NB-810,NBR,BLACK,T0.6,HARDNE | SNA | 1 |
| 1-24-9 | 5 | | DJ62-00460B | PIPE CONNECTOR; VS9000ESS,PC,AIRBORNE,302 | SNA | 1 |
| 1-24-10 | 5 | | DJ63-01618A | GASKET ETC; VS8000ML,EPDM,BLACK,PET FILM, | SNA | 3 |
| 1-24-11 | 5 | | DJ63-01635C | COVER CONNECTOR; VS9000ESS,PC,V-2,AIRBORN | SNA | 1 |
| 1-24-12 | 5 | RA051 | DJ63-01651A | COVER TERMINAL; VS9000NL,PC,V-0,EBONY BLA | SNA | 1 |
| 1-24-13 | 5 | | DJ63-01662B | COVER HOLDER; VS9000ESS,PC,V-2,AIRBORNE,S | SNA | 1 |
| 1-24-14 | 5 | | DJ64-01348C | KNOB PIPE; VS9000RL-ESS,PC,AIRBORNE,BRUSH | SA | 2 |
| 1-24-15 | 5 | | DJ66-00823A | LEVER RELEASE; VS9000NL,PC,3022R,GRAY TR- | SNA | 2 |

Exploded Views and Parts List

| No. | Lvl. | Loc. | Material Code | Description & Specification | SNA | Qty. |
|---------|------|-------|---------------|--|-----|------|
| 1-24-16 | 5 | | DJ67-00828C | CAP KNOB; VS9000RL-ESS,PC,V-2,3022R/3218E | SA | 1 |
| 1-24-17 | 5 | RL018 | DJ97-02639A | ASSY HOSE; VS9000RL,GRAY,L110,DOM,SOFT, T | SNA | 1 |
| 1-24-17 | 6 | | DJ60-00056A | CONNECTOR HOSE; PP,VS9000RL,NATURAL,BJ750 | SNA | 2 |
| 1-24-17 | 8 | RL101 | DJ67-00838A | HOSE WIRE; VS9000NL,TPU,ID31,OD34.8,L95,B | SNA | 1 |
| 1-24-17 | 8 | | DJ73-20100A | SEAL-PIPE; VC-8500,NBR,BLK | SNA | 1 |
| 2 | 3 | | DJ97-02640B | ASSY DRUM BRUSH; VS9000ESS,L231.8,W SILVE | SA | 1 |
| 2-1 | 4 | RV005 | 6002-000630 | SCREW-TAPPING; PH,+,2S,M3,L8,ZPC(WHT),SWR | SNA | 1 |
| 2-2 | 4 | RV005 | 6003-000170 | SCREW-TAPTYPE; PH,+,B,M4,L12,ZPC(WHT),SWR | SNA | 1 |
| 2-3 | 4 | RV005 | 6003-001615 | SCREW-TAPTYPE; PWH,+,B,M4,L16,ZPC(WHT),SW | SNA | 1 |
| 2-4 | 4 | | 6601-002678 | BEARING BALL; 608ZZ Z3V3,ID8,OD22,L7,ZZ (| SA | 1 |
| 2-5 | 4 | | DJ61-02481A | GUIDE DRUM; VS8000ML,ABS,HB,HG-0760GP,EBO | SNA | 1 |
| 2-6 | 4 | | DJ61-02482C | HOLDER BUTTON; VS9000RL-ESS,ABS,L108.8,AI | SNA | 1 |
| 2-7 | 4 | | DJ61-02483A | HOLDER-DRUM; VS8000ML,PC,BLACK,V-2,3022R, | SNA | 1 |
| 2-8 | 4 | | DJ61-02488A | GUIDE ETC; VS8000ML,ABS,L202.6,HB,HG-0760 | SNA | 1 |
| 2-9 | 4 | | DJ61-70001P | SPRING ETC-PUSH; JAZZ-PJT,SUS,CD0.7,ID6.1 | SNA | 1 |
| 2-10 | 4 | | DJ62-00430E | NOZZLE DRUM; VS9000RL,PA,T6.1,W5,L233,Nat | SNA | 3 |
| 2-11 | 4 | | DJ64-01328C | BUTTON BRUSH; VS9000ESS,PC,V-2,AIRBORNE | SA | 1 |
| 2-12 | 4 | | DJ66-00799B | DRUM BRUSH; VS9000RL,ABS,LU637,WARM SILVE | SNA | 1 |
| 2-13 | 4 | | DJ67-00840A | CAP ETC; VS9000RL,STS430J1L,T0.4,W38.65,L | SNA | 1 |