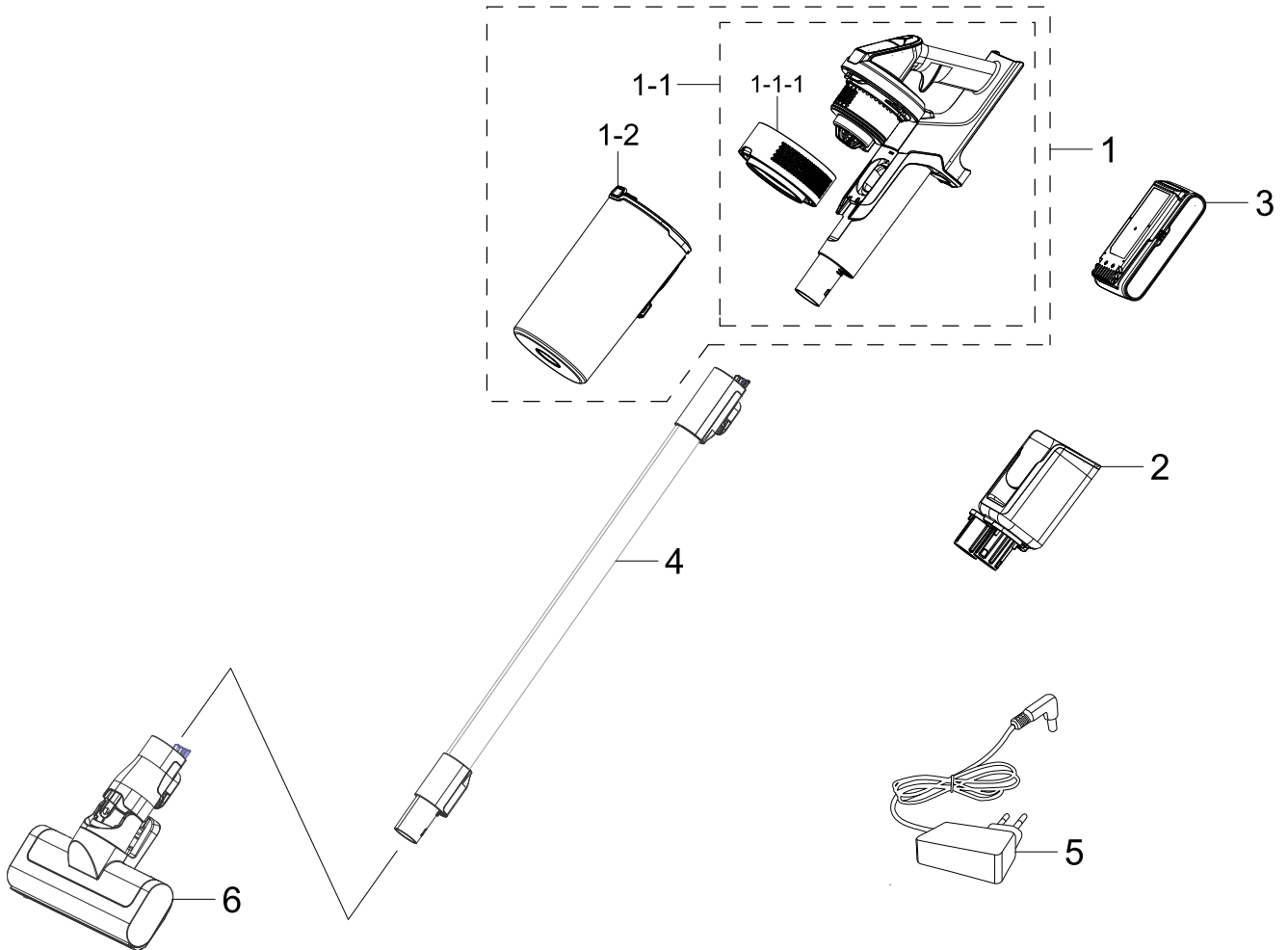


1. Main Body

Main Body

Exploded View



Parts List

| No. | Lvl. | Loc. | Material Code | Description & Specification | SNA | Qty. |
|-------|------|-------|---------------|---|-----|------|
| 1 | 1 | | DJ97-03124A | ASSY HANDY; VS6700,ASSY HANDY,COTTA BLACK | SNA | 1 |
| 1-1 | 2 | RB001 | DJ97-03123A | ASSY BODY; VS6700,COTTA BLACK,HEPA,3 STEP | SNA | 1 |
| 1-1-1 | 3 | RB037 | DJ97-02641A | ASSY GRILLE BACK; VS9000RL,SILVER,PTFE931 | SA | 1 |
| 1-2 | 2 | | DJ97-02835J | ASSY CYCLONE; VS6700,COTTA BLACK,0.8L | SA | 1 |
| 2 | 2 | RA014 | DJ96-00231D | ASSY CHARGER; VS6700,COTTA BLACK | SA | 1 |
| 3 | 2 | | DJ96-00227E | ASSY BATTERY LI IB; Li-ion,21.6V,1800mAh, | SA | 1 |
| 4 | 2 | | DJ97-03120A | ASSY PIPE; VS6700,AL,EXP,SILVER,SANDING | SA | 1 |

Exploded Views and Parts List

| No. | Lvl. | Loc. | Material Code | Description & Specification | SNA | Qty. |
|-----|------|------|---------------|--|-----|------|
| 5 | 2 | | DJ44-00014H | ADAPTOR; DC25.85V,1A,AC100-240V,26W,0to+4 | SA | 1 |
| 6 | 2 | | DJ97-03121A | ASSY BRUSH; VS6700,CARPET BRUSH,COTTA BLA | SNA | 1 |

Parts List

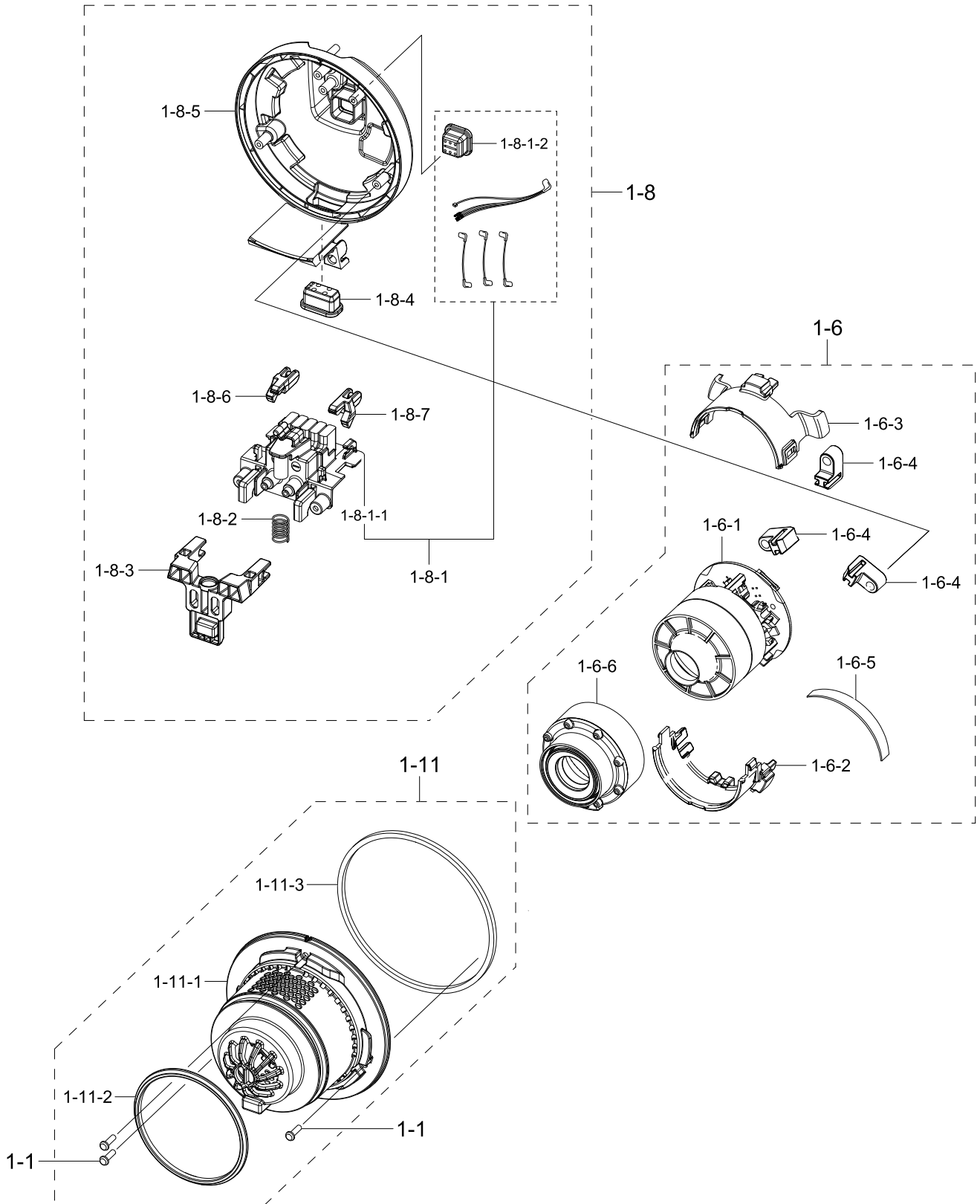
| No. | Lvl. | Loc. | Material Code | Description & Specification | SNA | Qty. |
|----------|------|-------|---------------|--|-----|------|
| 0 | 1 | | DJ97-03124A | ASSY HANDY; VS6700,ASSY HANDY,COTTA BLACK | SNA | 1 |
| 1 | 2 | RB001 | DJ97-03123A | ASSY BODY; VS6700,COTTA BLACK,HEPA,3 STEP | SNA | 1 |
| 1-2 | 3 | RV005 | 6003-000159 | SCREW-TAPTYPE; PH,+B,M3,L10,ZPC(BLK),SWR | SNA | 14 |
| 1-3 | 3 | | DJ64-01350D | BUTTON PUSH; VS6700,PC,HB,COTTA BLACK | SNA | 1 |
| 1-4 | 3 | RB042 | DJ97-02680B | ASSY PANEL CONTROL; VS6700,COTTA BLACK,At | SA | 1 |
| 1-5 | 3 | | DJ92-00217A | ASSY PBA MODULE; ON/OFF CONTROL,VS6700AL, | SA | 1 |
| 1-9 | 3 | RB033 | DJ97-02643A | ASSY DUCT INLET; VS9000RL | SA | 1 |
| 1-9-1 | 4 | | DJ62-00459A | PIPE CONNECTOR; VS9000RL,PC,ID30,OD33.8,G | SNA | 1 |
| 1-9-2 | 4 | | DJ63-01653A | GASKET DUCT; VS9000NL,TPV,TPV-45VSH-45A,T | SA | 1 |
| 1-9-3 | 4 | | DJ67-00832A | DUCT INLET; VS9000NL,PC+ABS,HI-1050,EBONY | SNA | 1 |
| 1-10 | 3 | | DJ97-02644D | ASSY HOLDER; VS6700,COTTA BLACK,CHARGING | SA | 1 |
| 1-10-1 | 4 | | DJ37-00016A | TERMINAL; T0.5 | SNA | 2 |
| 1-10-2 | 4 | | DJ39-00284A | WIRE HARNESS-TERMINAL; 1P,CHARGER,UL3398, | SNA | 2 |
| 1-10-3 | 4 | | DJ63-01654D | CUSHION ETC; VS6700,TPE,W31.4,L9.5,OR3000 | SNA | 1 |
| 1-10-3-1 | 5 | | DJ61-02558D | HOLDER ETC; VS6700,PC,L25.3,COTTA BLACK,V | SNA | 1 |
| 1-12 | 3 | | DJ97-02671A | ASSY HOLDER; VS9000RL,PIPE-HANDY | SA | 1 |
| 1-12-1 | 4 | | DJ39-00293A | WIRE HARNESS-TERMINAL; 3P,Pipe,UL3398,#22 | SNA | 1 |
| 1-12-2 | 4 | | DJ61-02555A | HOLDER TERMINAL; VS9000RL,PC,L25.5,EBONY | SNA | 1 |
| 1-13 | 3 | RB013 | DJ97-02678A | ASSY BUTTON; VS9000RL,BUTTON CONTROL | SA | 1 |
| 1-14 | 3 | RB025 | DJ97-02679C | ASSY COVER DISPLAY; VS6700,EBONY BLACK | SA | 1 |
| 1-15 | 3 | RB034 | DJ97-02794D | ASSY FRAME; VS6700,COTTA BLACK | SNA | 1 |
| 1-15-1 | 4 | | DJ61-02617D | FRAME; VS6700,PC,COTTA BLACK,W,ES3020N | SA | 1 |
| 1-15-2 | 4 | | DJ63-01680A | FILTER SAFETY; VS9000RL,T5,W30,L40,EBONY | SNA | 1 |

| No. | Lvl. | Loc. | Material Code | Description & Specification | SNA | Qty. |
|--------|------|------|---------------|--|-----|------|
| 1-15-3 | 4 | | DJ67-00831D | CAP ETC; VS6700,PC+ABS,HB,HI-1050,COTTA B | SNA | 1 |
| 1-16 | 3 | | DJ61-02553G | FRAME FRONT; VS6700,ABS,COTTA BLACK,W,HG- | SA | 1 |

2.1. Assy Handy_Assy Motor Parts

Assy Handy_Assy Motor Parts

Exploded View



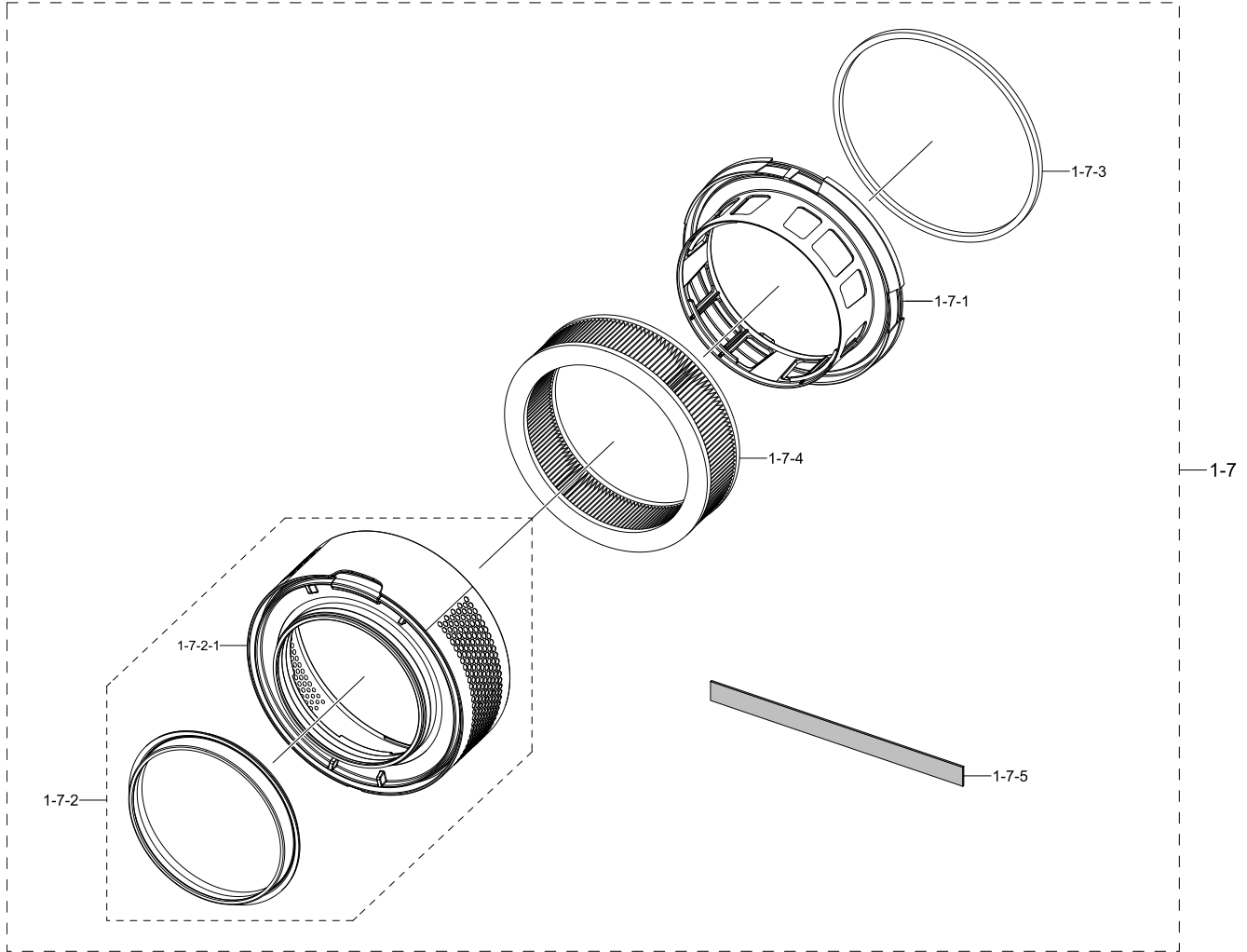
Parts List

| No. | Lvl. | Loc. | Material Code | Description & Specification | SNA | Qty. |
|---------|------|-------|---------------|--|-----|------|
| 1-1 | 3 | RV005 | 6002-000325 | SCREW-TAPPING; PH,+,-,2,M3,L20,ZPC(WHT),S | SNA | 3 |
| 1-6 | 3 | | DJ94-00892C | ASSY MOTOR PARTS; VS7000TL,WELLING,400CLW | SNA | 1 |
| 1-6-1 | 4 | | DJ31-00181A | MOTOR BLDC FAN; ZSDP-322-2-1,120krpm,21.6 | SA | 1 |
| 1-6-2 | 4 | | DJ61-02833A | HOLDER MOTOR; VS7000TL,PP+TD30%,L39.9,BLA | SA | 1 |
| 1-6-3 | 4 | | DJ61-02834A | HOLDER MOTOR; VS7000TL,PP+TD30%,L39.9,BLA | SA | 1 |
| 1-6-4 | 4 | | DJ63-01683A | CUSHION ETC; VS9000RL,NBR,W9.2,L16,EBONY | SNA | 3 |
| 1-6-5 | 4 | | DJ63-01686A | GASKET ETC; VS9000RL,EPDM FOAM,T1,W15,L20 | SA | 1 |
| 1-6-6 | 4 | | DJ63-01790A | CUSHION MOTOR; VS7000TL,NBR,T2,W56,L17.2, | SA | 1 |
| 1-8 | 3 | | DJ97-02642G | ASSY HOLDER TERMINAL; VS6700,COTTA BLACK, | SNA | 1 |
| 1-8-1 | 4 | RJ189 | DJ39-00346A | WIRE HARNESS-STICK; 5P,VS6700_HANDY,UL339 | SA | 1 |
| 1-8-1-1 | 5 | | DJ61-02567A | HOLDER TERMINAL; VS9000NL,PK+GF5%,L52,BLA | SNA | 1 |
| 1-8-1-2 | 5 | | DJ63-01732B | GASKET WIRE; VS6700,TPV,TPV-45VSH-65A,BLA | SNA | 1 |
| 1-8-2 | 4 | RP302 | DJ61-01350A | SPRING ETC-BUTTON; SU9380,HSWR,COD0.6,ID6 | SA | 1 |
| 1-8-3 | 4 | | DJ61-02557A | GUIDE LINK; VS9000NL,ABS,L32.5,HB,GP-35,N | SNA | 1 |
| 1-8-4 | 4 | | DJ63-01647A | GASKET WIRE; VS9000NL,NBR,T2.5,BATTERY | SNA | 1 |
| 1-8-5 | 4 | | DJ97-02681B | ASSY COVER; VS6700,COTTA BLACK,Attatch PA | SNA | 1 |
| 1-8-6 | 4 | | DJ66-00824A | LEVER RELEASE; VS9000NL,ABS,HG-0760GP,EBO | SNA | 1 |
| 1-8-7 | 4 | | DJ66-00825A | LEVER RELEASE; VS9000NL,ABS,HG-0760GP,EBO | SNA | 1 |
| 1-11 | 3 | RJ004 | DJ97-02670A | ASSY CASE MOTOR F; VS9000RL,BLACK | SA | 1 |
| 1-11-1 | 4 | RJ031 | DJ63-01656A | COVER MOTOR; VS9000NL,ABS,NEUTRAL GRAY,HG | SNA | 1 |
| 1-11-2 | 4 | | DJ63-01657A | GASKET GRILLE; VS9000NL,TPV,TPV-45VSH-45A | SNA | 1 |
| 1-11-3 | 4 | | DJ63-01674A | GASKET ETC; VS9000RL,EVA FOAM,T3,W3,L154 | SNA | 2 |

2.2. Assy Handy_Assy Grille Back

Assy Handy_Assy Grille Back

Exploded View



Parts List

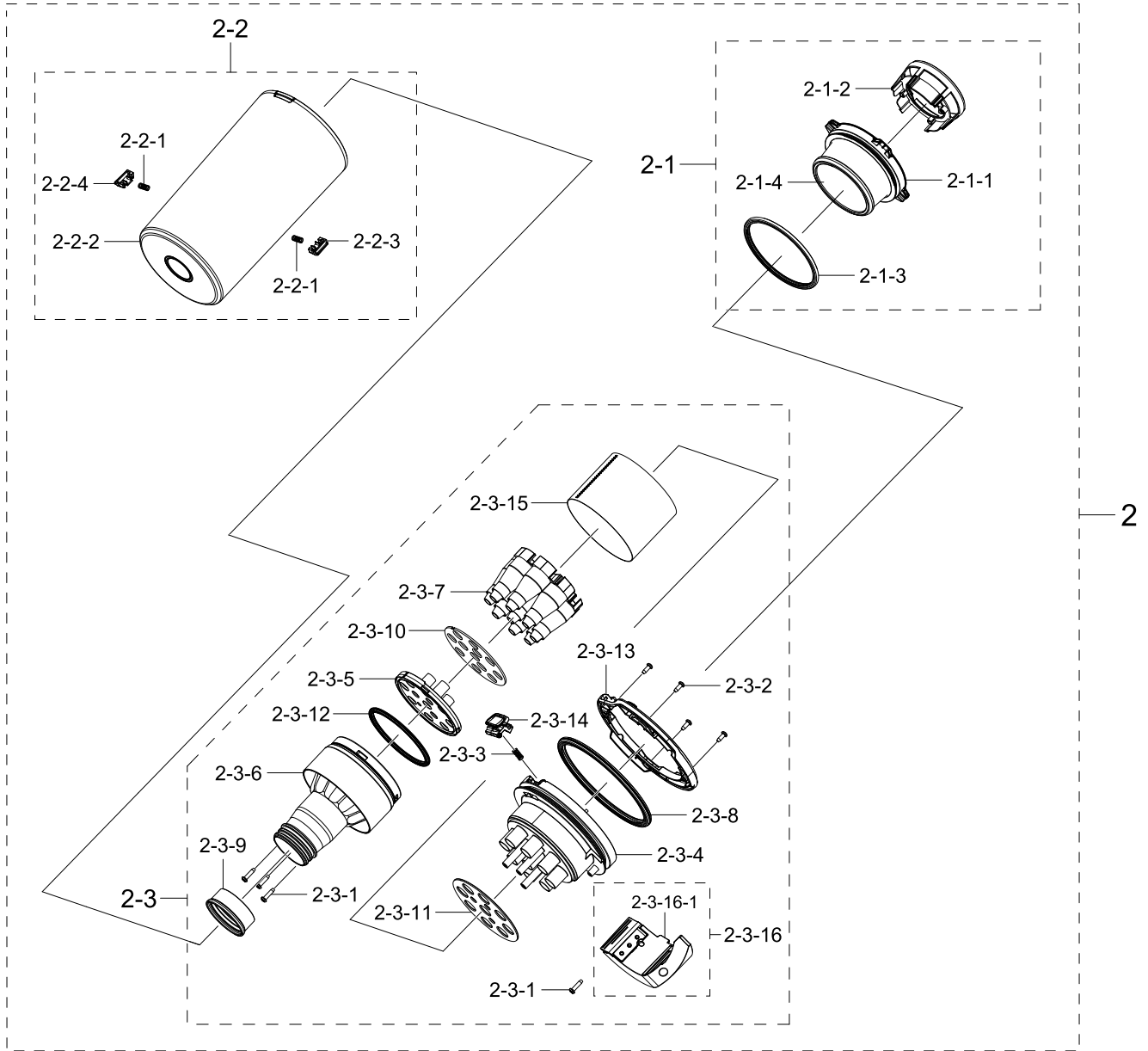
| No. | Lvl. | Loc. | Material Code | Description & Specification | SNA | Qty. |
|---------|------|-------|---------------|--|-----|------|
| 1-7 | 3 | RB037 | DJ97-02641A | ASSY GRILLE BACK; VS9000RL,SILVER,PTFE931 | SA | 1 |
| 1-7-1 | 4 | | DJ61-02559A | HOLDER GRILLE; VS9000NL,PC+ABS,L108,EBONY | SNA | 1 |
| 1-7-2 | 4 | | DJ63-01658A | GASKET GRILLE; VS9000NL,TPE,OR3000PC,BLAC | SNA | 1 |
| 1-7-2-1 | 5 | | DJ64-01355A | GRILLE FILTER; VS9000NL,ABS,NEUTRAL GRAY, | SNA | 1 |
| 1-7-3 | 4 | | DJ63-01674A | GASKET ETC; VS9000RL,EVA FOAM,T3,W3,L154 | SNA | 2 |

| No. | Lvl. | Loc. | Material Code | Description & Specification | SNA | Qty. |
|-------|------|------|---------------|--|-----|------|
| 1-7-4 | 4 | | DJ63-01675A | FILTER OUTLET; VS9000RL,T9,W26.5,PTFE9314 | SNA | 1 |
| 1-7-5 | 4 | | DJ63-01681A | ABSORBER ETC; VS9000RL,PET,T1.2 | SNA | 1 |

2.3. Assy Handy_Assy Cyclone

Assy Handy_Assy Cyclone

Exploded View



Parts List

| No. | Lvl. | Loc. | Material Code | Description & Specification | SNA | Qty. |
|--------|------|-------|---------------|---|-----|------|
| 2 | 2 | | DJ97-02835J | ASSY CYCLONE; VS6700,COTTA BLACK,0.8L | SA | 1 |
| 2-1 | 3 | | DJ97-02649C | ASSY FILTER; VS6700,MICRO,AZURE BLUE,FILT | SA | 1 |
| 2-1-1 | 4 | | DJ61-02590B | HOLDER FILTER; VS6700,ABS,L,AZURE BLUE,HB | SNA | 1 |
| 2-1-2 | 4 | | DJ61-02591B | SUPPORT FILTER; VS6700,ABS,HB,HG-0760GP,A | SNA | 1 |
| 2-1-3 | 4 | | DJ63-01671A | GASKET HOLDER; VS9000NL,TPV,TPV-45VSH-65A | SNA | 1 |
| 2-1-4 | 4 | | DJ63-01678B | FILTER CYCLONE; VS9000RL,SOFT SKY BLUE,FI | SNA | 1 |
| 2-2 | 3 | RL005 | DJ97-02829A | ASSY CASE; VS7000TL,GRAY TRP,No,0.8L | SA | 1 |
| 2-2-1 | 4 | | DJ61-02594A | SPRING ETC COIL; VS9000RL,STS304,0.4mm,ID | SNA | 2 |
| 2-2-2 | 4 | | DJ61-02753A | CASE CYCLONE; VS9000-Renewal,PC,T1.4,GRAY | SNA | 1 |
| 2-2-3 | 4 | | DJ64-01362A | BUTTON CYCLONE-LEFT; VS9000RL,ABS,Dark Ch | SNA | 1 |
| 2-2-4 | 4 | | DJ64-01363A | BUTTON CYCLONE-RIGHT; VS9000RL,ABS,Dark C | SNA | 1 |
| 2-3 | 3 | | DJ97-02837E | ASSY CYCLONE GRILLE; VS6700,COTTA BLACK,C | SA | 1 |
| 2-3-1 | 4 | RV005 | 6002-000462 | SCREW-TAPPING; PH,+,2,M3,L10,ZPC(WHT),SWR | SNA | 4 |
| 2-3-2 | 4 | RV005 | 6002-001262 | SCREW-TAPTYPE; PH,+,B,M3,L8,PASS,STS304 | SNA | 4 |
| 2-3-3 | 4 | | DJ61-02593A | SPRING ETC COIL; VS9000RL,STS304,0.6mm,ID | SA | 1 |
| 2-3-4 | 4 | | DJ61-02761A | CASE CYCLONE-UP; VS9000RL,ABS,T1.4,DARK C | SNA | 1 |
| 2-3-5 | 4 | | DJ61-02762A | CASE CYCLONE-MIDDLE; VS9000RL,ABS,T1.2,AI | SNA | 1 |
| 2-3-6 | 4 | | DJ61-02764A | CASE CYCLONE-LOW; VS9000RL,ABS,T1.4,DARK | SNA | 1 |
| 2-3-7 | 4 | | DJ61-02765A | CASE CYCLONE-IN; VS9000RL,ABS,T1.2,EBONY | SNA | 1 |
| 2-3-8 | 4 | | DJ63-01668A | GASKET CYCLONE-UP; VS9000RL,PVC,LF-G31,T1 | SNA | 1 |
| 2-3-9 | 4 | | DJ63-01670A | GASKET CYCLONE; VS9000RL,TPV,TPV-45VSH-65 | SNA | 1 |
| 2-3-10 | 4 | | DJ63-01761A | GASKET CYCLONE-IN; VS9000RL,EVA FOAM,T1.5 | SNA | 1 |
| 2-3-11 | 4 | | DJ63-01762A | GASKET CYCLONE-MIDDLE; VS9000RL,EVA FOAM, | SNA | 1 |

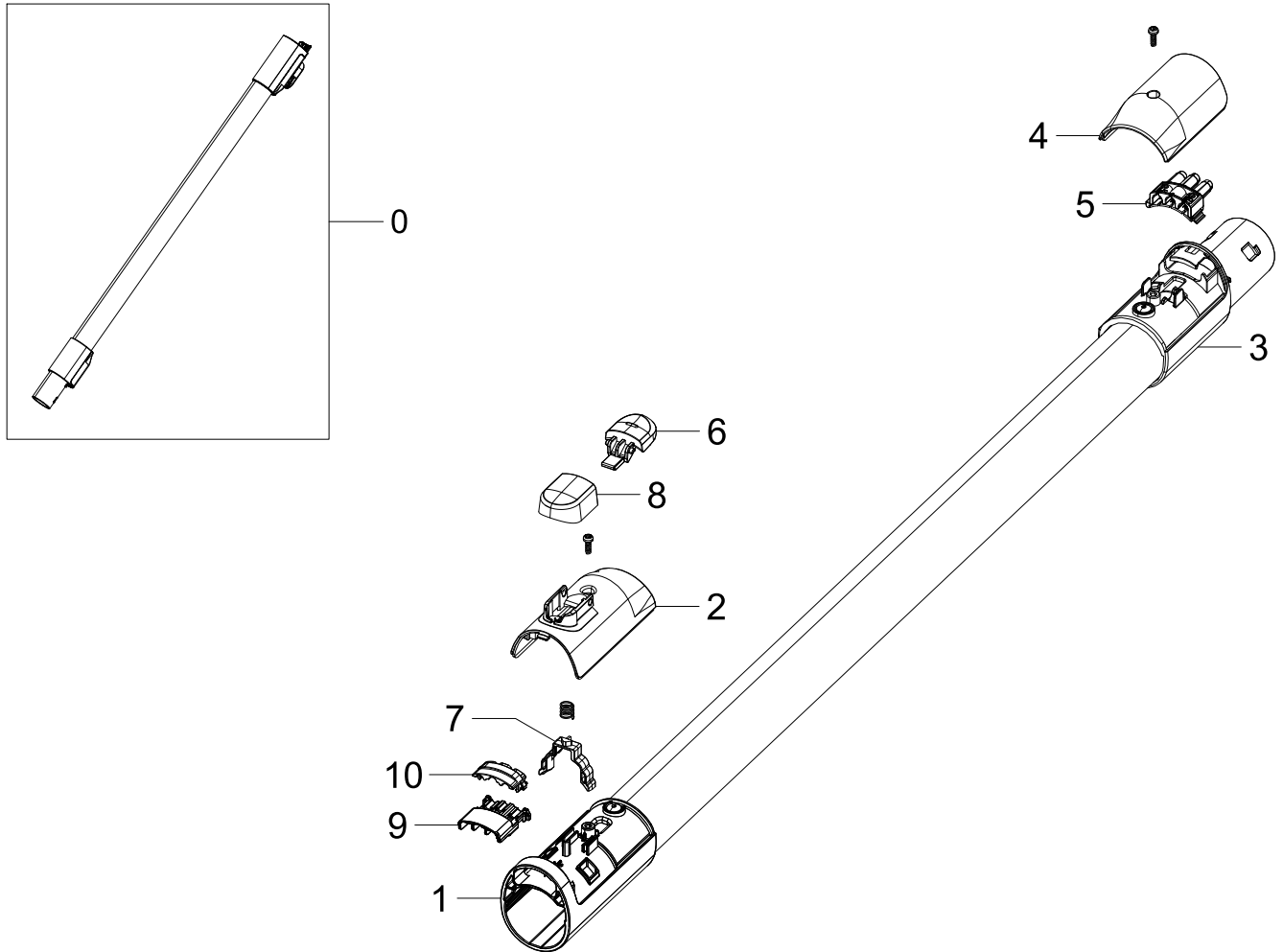
Exploded Views and Parts List

| No. | Lvl. | Loc. | Material Code | Description & Specification | SNA | Qty. |
|----------|------|------|---------------|--|-----|------|
| 2-3-12 | 4 | | DJ63-01763A | GASKET ETC; VS9000RL,EVA FOAM,T2.5,W2.5,L | SNA | 1 |
| 2-3-13 | 4 | | DJ64-01360J | DECORATION CYCLONE-UP; VS6700,PC,COTTA BL | SNA | 1 |
| 2-3-14 | 4 | | DJ64-01361J | BUTTON CYCLONE; VS6700,PC,HB,COTTA BLACK | SNA | 1 |
| 2-3-15 | 4 | | DJ64-01469A | GRILLE CYCLONE; VS6700,STS304,Etching | SNA | 1 |
| 2-3-16 | 4 | | DJ97-02838A | ASSY GUIDE AIR; VS9000RL,Dark ChroMetal,C | SNA | 1 |
| 2-3-16-1 | 5 | | DJ61-02766A | GUIDE AIR; VS9000RL,PP,T1.5,L93,ML9500,DA | SA | 1 |

3. Assy Pipe

Assy Pipe

Exploded View



Parts List

| No. | Lvl. | Loc. | Material Code | Description & Specification | SNA | Qty. |
|-----|------|------|---------------|---|-----|------|
| 0 | 2 | | DJ97-03120A | ASSY PIPE; VS6700,AL,EXP,SILVER,SANDING | SA | 1 |
| 1 | 3 | | DJ61-02925A | HOLDER PIPE; VS6700,PC,L87.2,COTTA BLACK, | SNA | 1 |
| 2 | 3 | | DJ63-01863A | COVER HOLDER; VS6700,PC,HB,COTTA BLACK,30 | SNA | 1 |
| 3 | 3 | | DJ62-00501A | PIPE CONNECTOR; VS6700,PC,COTTA BLACK,302 | SNA | 1 |
| 4 | 3 | | DJ67-00896A | CAP ETC; VS6700,PC,HB,3022R,COTTA BLACK,3 | SNA | 1 |
| 5 | 3 | | DJ61-02555A | HOLDER TERMINAL; VS9000RL,PC,L25.5,EBONY | SNA | 1 |

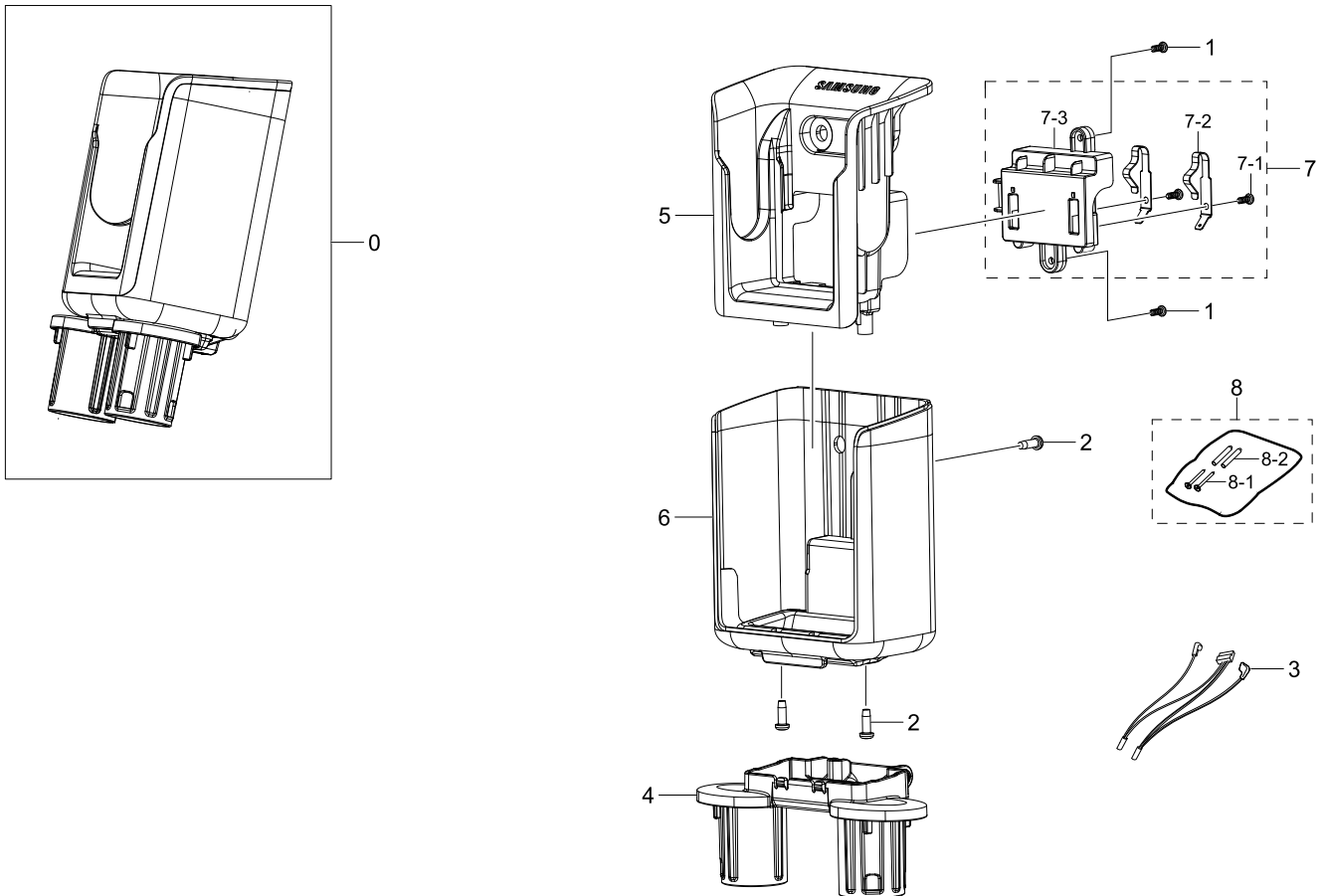
Exploded Views and Parts List

| No. | Lvl. | Loc. | Material Code | Description & Specification | SNA | Qty. |
|-----|------|-------|---------------|--|-----|------|
| 6 | 3 | | DJ64-01348G | KNOB PIPE; VS6700,PC,COTTA BLACK,3022R/32 | SNA | 1 |
| 7 | 3 | | DJ66-00823A | LEVER RELEASE; VS9000NL,PC,3022R,GRAY TR- | SNA | 1 |
| 8 | 3 | | DJ67-00828F | CAP KNOB; VS6700,PC,HB,3022R,COTTA BLACK, | SNA | 1 |
| 9 | 3 | | DJ61-02551A | HOLDER TERMINAL; VS9000NL,PC,L30,EBONY BL | SNA | 1 |
| 10 | 3 | RA051 | DJ63-01651A | COVER TERMINAL; VS9000NL,PC,V-0,EBONY BLA | SNA | 1 |

4. Assy Charger

Assy Charger

Exploded View



Parts List

| No. | Lvl. | Loc. | Material Code | Description & Specification | SNA | Qty. |
|-----|------|-------|---------------|--|-----|------|
| 0 | 2 | RA014 | DJ96-00231D | ASSY CHARGER; VS6700,COTTA BLACK | SA | 1 |
| 1 | 3 | RV005 | 6003-000167 | SCREW-TAPTYPE; PH,+,B,M3,L8,ZPC(BLK),SWRC | SNA | 2 |
| 2 | 3 | RV005 | 6003-000170 | SCREW-TAPTYPE; PH,+,B,M4,L12,ZPC(WHT),SWR | SNA | 3 |
| 3 | 3 | RJ109 | DJ39-00304A | WIRE HARNESS-POWER; 2P,DC JACK(DC-005C-1. | SA | 1 |
| 4 | 3 | | DJ61-02751C | HOLDER ACCESSORY; VS6700,ABS,L,COTTA BLAC | SA | 1 |
| 5 | 3 | | DJ61-02752A | BODY CHARGER; VS7500TL,ABS,T2.3,NEUTRAL G | SA | 1 |
| 6 | 3 | | DJ63-01751C | COVER CHARGER; VS6700,ABS,HB,COTTA BLACK, | SNA | 1 |

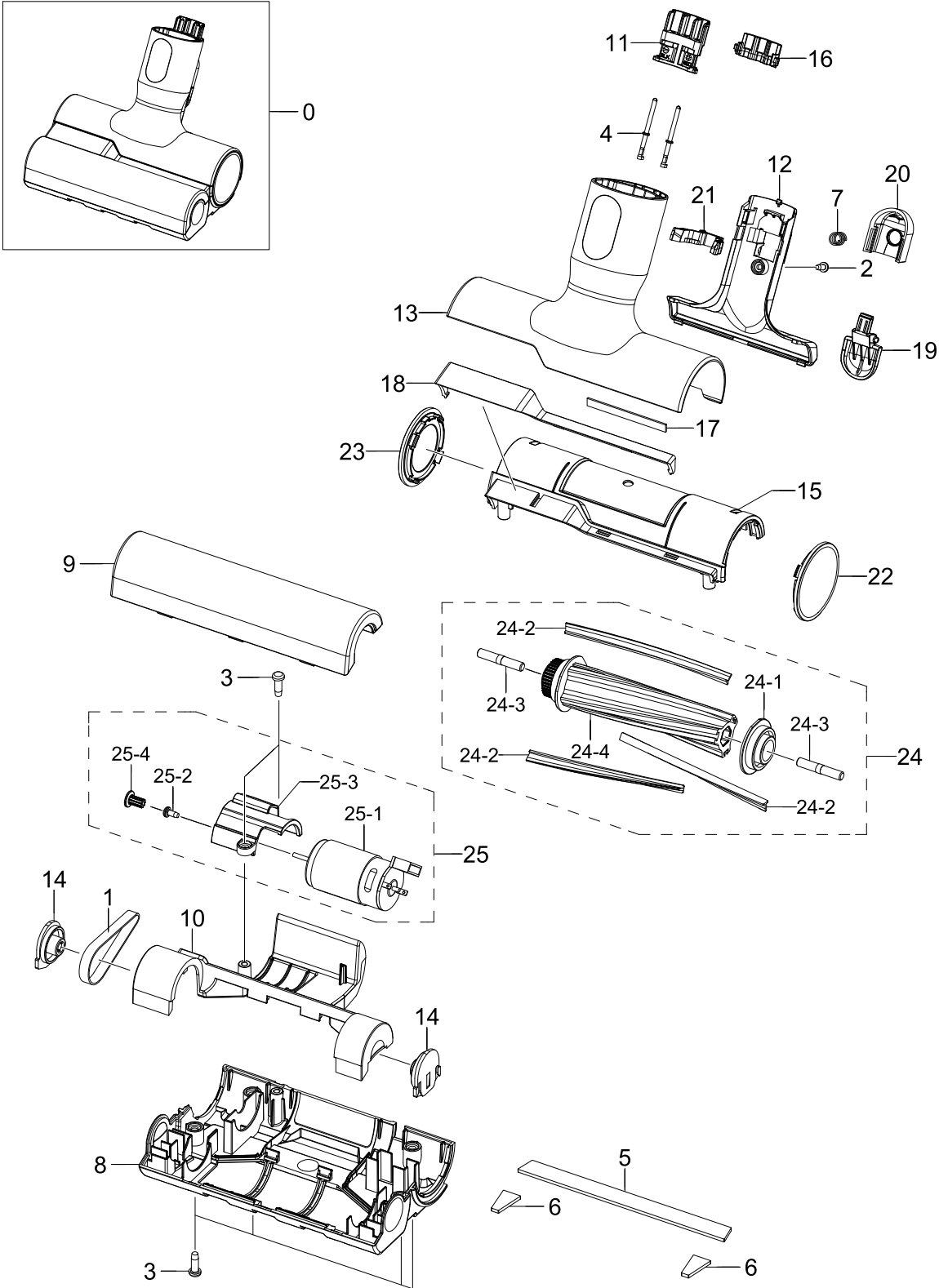
Exploded Views and Parts List

| No. | Lvl. | Loc. | Material Code | Description & Specification | SNA | Qty. |
|-----|------|-------|---------------|--|-----|------|
| 7 | 3 | | DJ97-02824A | ASSY HOLDER TERMINAL; VS7000TL,NEUTRAL GR | SNA | 1 |
| 7-1 | 4 | RV005 | 6003-000167 | SCREW-TAPTYPE; PH,+,B,M3,L8,ZPC(BLK),SWRC | SNA | 2 |
| 7-2 | 4 | | DJ37-00019A | TERMINAL; VS9000RL,ASSY CHARGER HOLDER | SNA | 2 |
| 7-3 | 4 | | DJ61-02750A | HOLDER TERMINAL; VS7500TL,PC,T2,L41,NEUTR | SNA | 1 |
| 8 | 3 | | DJ98-01138A | ASSY ACCESSORY; VS9000RL,WALL MOUNT SCREW | SA | 1 |
| 8-1 | 4 | RV005 | 6002-001644 | SCREW-TAPPING; BH,+,1,M5,L55,ZPC(BLK),SWR | SNA | 2 |
| 8-2 | 4 | | DJ61-02601A | HOLDER LOCK; VS9000RL,PP,L40,NATURAL,HB,B | SNA | 2 |

5. Mini Turbo Brush

Mini Turbo Brush

Exploded View



Parts List

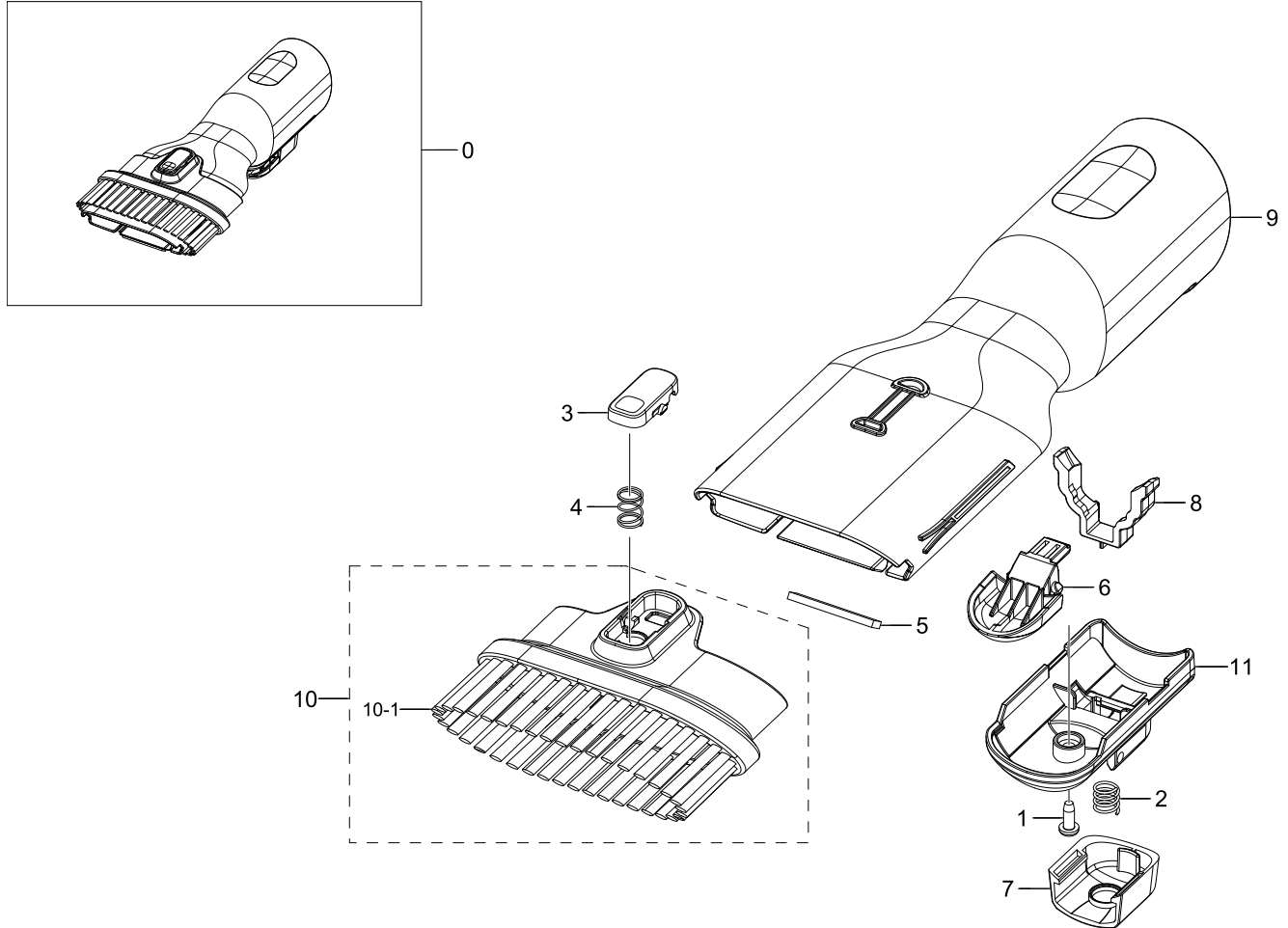
| No. | Lvl. | Loc. | Material Code | Description & Specification | SNA | Qty. |
|-----|------|-------|---------------|--|-----|------|
| 0 | 2 | | DJ97-02636D | ASSY BRUSH; VS6700,MINI TURBO,COTTA BLACK | SA | 1 |
| 1 | 3 | | 6602-002831 | BELT-TIMING GEAR; 2M-130-6,NBR,T1.36,BLK | SNA | 1 |
| 2 | 3 | RV005 | 6002-000630 | SCREW-TAPPING; PH,+,2S,M3,L8,ZPC(WHT),SWR | SNA | 1 |
| 3 | 3 | RV005 | 6003-000170 | SCREW-TAPTYPE; PH,+,B,M4,L12,ZPC(WHT),SWR | SNA | 6 |
| 4 | 3 | | DJ39-00283A | WIRE HARNESS-MOTOR; 2P,BRUSH(MINI TURBO), | SNA | 1 |
| 5 | 3 | | DJ60-00032A | SPACER BRUSH; TB-700,WOOL,L135,T2,AIR BOR | SNA | 1 |
| 6 | 3 | | DJ60-00038A | SPACER BRUSH; TB-700,WOOL,L19.4,T2,AIRBOR | SNA | 2 |
| 7 | 3 | | DJ61-00584A | SPRING ETC-CAP; VC-MBM940,HSWR,CD0.7,OD7. | SA | 1 |
| 8 | 3 | | DJ61-02484D | BODY BRUSH; VS6700,ABS,COTTA BLACK,HB,HG- | SA | 1 |
| 9 | 3 | | DJ61-02485A | CASE DRUM; VS8000ML,PC,GRAY TR-P,SR1000,M | SNA | 1 |
| 10 | 3 | | DJ61-02486A | GUIDE AIR; VS8000ML,PP,Length,Diameter,HB | SNA | 1 |
| 11 | 3 | | DJ61-02551A | HOLDER TERMINAL; VS9000NL,PC,L30,EBONY BL | SNA | 1 |
| 12 | 3 | | DJ61-02566C | HOLDER WIRE; VS6700,PC,L,COTTA BLACK,HB,3 | SA | 1 |
| 13 | 3 | | DJ62-00461C | PIPE CONNECTOR; VS6700,PC,COTTA BLACK,302 | SNA | 1 |
| 14 | 3 | | DJ63-00604A | COVER-DRUM; UPRIGHT,POM,BISSELL,BLACK,K30 | SA | 2 |
| 15 | 3 | | DJ63-01605D | COVER BRUSH; VS6700,ABS,HB,COTTA BLACK,HG | SNA | 1 |
| 16 | 3 | RA051 | DJ63-01651A | COVER TERMINAL; VS9000NL,PC,V-0,EBONY BLA | SNA | 2 |
| 17 | 3 | | DJ63-01628A | GASKET ETC; VS8000ML,EVA FOAM,W5,L52,MINI | SNA | 1 |
| 18 | 3 | | DJ64-01331B | DECORATION COVER; VS9000ESS,ABS,AIRBORNE, | SNA | 1 |
| 19 | 3 | | DJ64-01348G | KNOB PIPE; VS6700,PC,COTTA BLACK,3022R/32 | SNA | 1 |
| 20 | 3 | | DJ67-00828F | CAP KNOB; VS6700,PC,HB,3022R,COTTA BLACK, | SNA | 1 |
| 21 | 3 | | DJ66-00823A | LEVER RELEASE; VS9000NL,PC,3022R,GRAY TR- | SNA | 1 |
| 22 | 3 | | DJ67-00807D | CAP BODY; VS6700,ABS,HB,HG-0760GP,COTTA B | SNA | 1 |

| No. | Lvl. | Loc. | Material Code | Description & Specification | SNA | Qty. |
|------|------|-------|---------------|---|-----|------|
| 23 | 3 | | DJ67-00808D | CAP AIR; VS6700,ABS,HB,HG-0760GP,COTTA BL | SNA | 1 |
| 24 | 3 | | DJ97-02574B | ASSY DRUM BRUSH; VS9000RL,L126.4,AQUA GRE | SA | 1 |
| 24-1 | 4 | | DJ61-02345C | HOLDER-DRUM; VS9000RL,PP+TD30%,L5,AQUA GR | SNA | 1 |
| 24-2 | 4 | | DJ62-00418B | NOZZLE DRUM; VS8000ML,NBR,BLACK | SNA | 3 |
| 24-3 | 4 | | DJ66-00206B | SHAFT DRUM; UPRIGHT,SM20C,L29,OD4.95,NATU | SNA | 2 |
| 24-4 | 4 | | DJ66-00749C | DRUM BRUSH; VS9000RL,PP+TD30%,PTN960,AQUA | SNA | 1 |
| 25 | 3 | | DJ94-00891A | ASSY MOTOR PARTS; VS9000RL,RS390,MINI BRU | SNA | 1 |
| 25-1 | 4 | RJ077 | DJ31-00148C | MOTOR DC; RS395-ST-2170,7038,18.0V,0.70,2 | SNA | 1 |
| 25-2 | 4 | | DJ92-00184A | ASSY MODULE; BRUSH MOTOR, VS9000RL,GREEN,S | SNA | 1 |
| 25-3 | 4 | RV005 | 6006-000112 | SCREW-MACHINE; PH,+,WS,M2.6,L8,ZPC(WHT),S | SNA | 1 |
| 25-4 | 4 | | DJ61-02498A | HOLDER MOTOR; VS8000ML,ABS,EBONY BLACK,HB | SNA | 1 |

6. Combination Tool

Combination Tool

Exploded View



Parts List

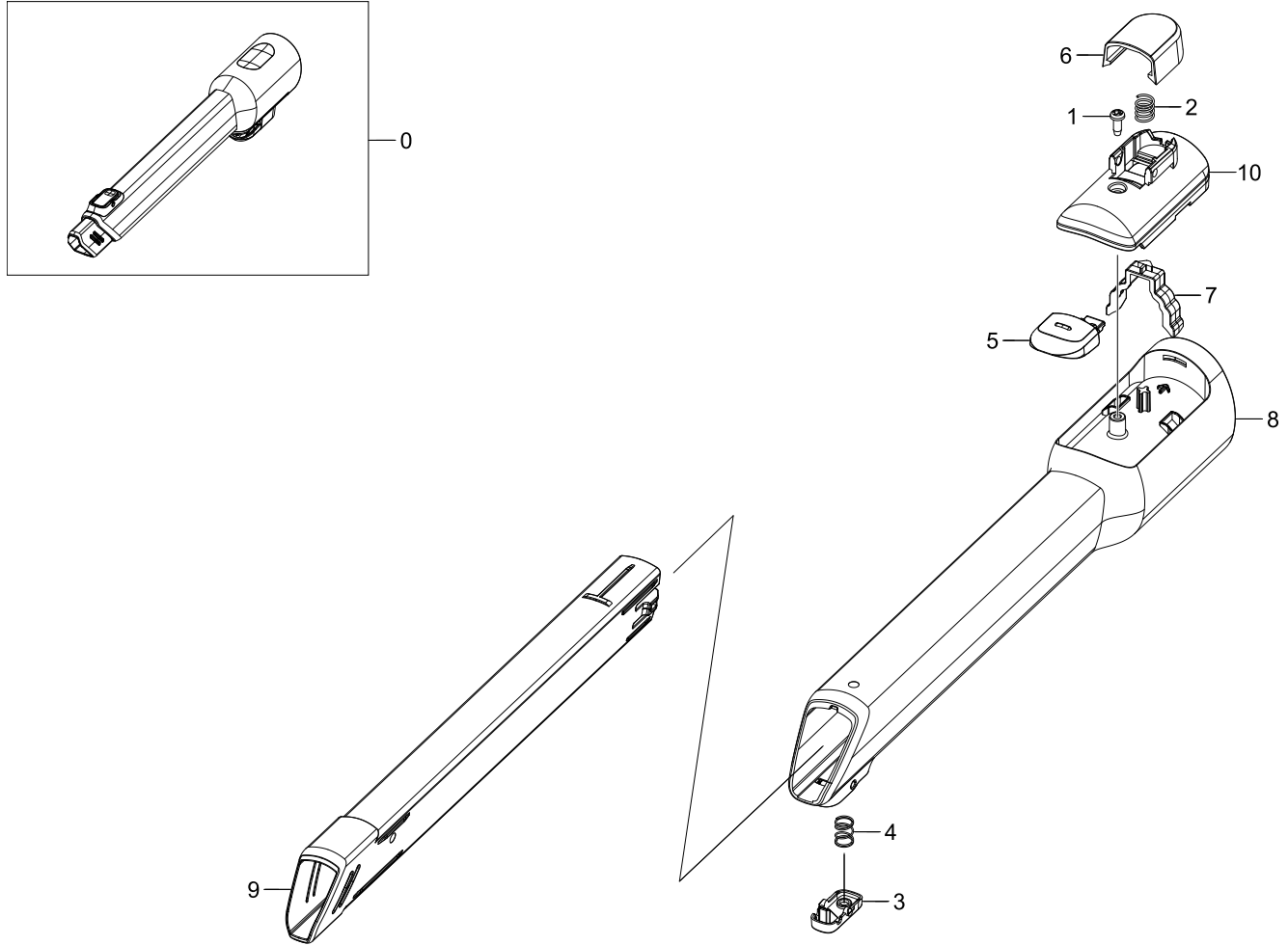
| No. | Lvl. | Loc. | Material Code | Description & Specification | SNA | Qty. |
|-----|------|-------|---------------|--|-----|------|
| 0 | 2 | RA002 | DJ98-01129D | ASSY ACCESSORY DUSTING; VS6700,DUSTING,CO | SNA | 1 |
| 1 | 3 | RV005 | 6002-000630 | SCREW-TAPPING; PH,+,2S,M3,L8,ZPC(WHT),SWR | SNA | 1 |
| 2 | 3 | | DJ61-00584A | SPRING ETC-CAP; VC-MBM940,HSWR,CD0.7,OD7. | SA | 1 |
| 3 | 3 | | DJ64-01333D | BUTTON PUSH; VS6700,PC,HB,COTTA BLACK,302 | SNA | 1 |
| 4 | 3 | | DJ61-02508A | SPRING ETC COIL; VS8000ML,HSWR,CD0.5,ID6. | SA | 1 |
| 5 | 3 | | DJ60-00057B | SPACER BRUSH; VS9000RL-ESS,WOOL,L26.5,Air | SNA | 1 |

| No. | Lvl. | Loc. | Material Code | Description & Specification | SNA | Qty. |
|------|------|-------|---------------|--|-----|------|
| 6 | 3 | | DJ64-01348G | KNOB PIPE; VS6700,PC,COTTA BLACK,3022R/32 | SNA | 1 |
| 7 | 3 | | DJ67-00828F | CAP KNOB; VS6700,PC,HB,3022R,COTTA BLACK, | SNA | 1 |
| 8 | 3 | | DJ66-00823A | LEVER RELEASE; VS9000NL,PC,3022R,GRAY TR- | SNA | 1 |
| 9 | 3 | | DJ62-00454C | PIPE CONNECTOR; VS6700,ABS,COTTA BLACK,HG | SNA | 1 |
| 10 | 3 | RA036 | DJ67-00827C | BRUSH DUSTING; VS6700,ABS,HG-0760GP/G3450 | SNA | 1 |
| 10-1 | 4 | | DJ62-00371H | NOZZLE BRUSH; VS9000RL,PA,T0.15,L28,BLACK | SNA | 6 |
| 11 | 3 | | DJ63-01644C | COVER HOLDER; VS6700,ABS,HB,COTTA BLACK,H | SA | 1 |

7. Crevice Tool

Crevice Tool

Exploded View



Parts List

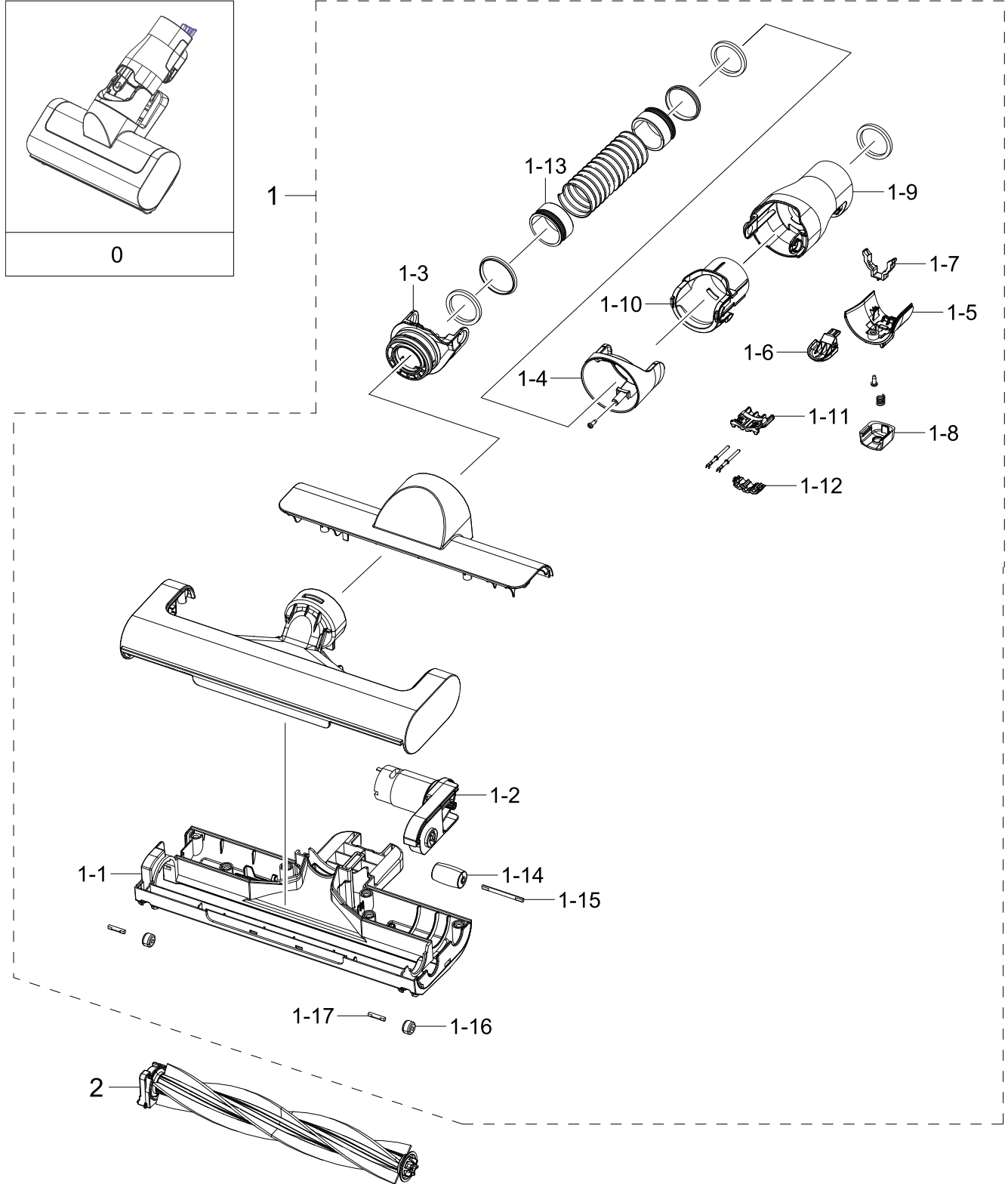
| No. | Lvl. | Loc. | Material Code | Description & Specification | SNA | Qty. |
|-----|------|-------|---------------|--|-----|------|
| 0 | 2 | RA001 | DJ98-01130D | ASSY ACCESSORY CREVICE; VS6700,CREVICE,CO | SNA | 1 |
| 1 | 3 | RV005 | 6002-000630 | SCREW-TAPPING; PH,+,2S,M3,L8,ZPC(WHT),SWR | SNA | 1 |
| 2 | 3 | | DJ61-00584A | SPRING ETC-CAP; VC-MBM940,HSWR,CD0.7,OD7. | SA | 1 |
| 3 | 3 | | DJ64-01333D | BUTTON PUSH; VS6700,PC,HB,COTTA BLACK,302 | SNA | 1 |
| 4 | 3 | | DJ61-02508A | SPRING ETC COIL; VS8000ML,HSWR,CD0.5,ID6. | SA | 1 |
| 5 | 3 | | DJ64-01348G | KNOB PIPE; VS6700,PC,COTTA BLACK,3022R/32 | SNA | 1 |

| No. | Lvl. | Loc. | Material Code | Description & Specification | SNA | Qty. |
|-----|------|-------|---------------|--|-----|------|
| 6 | 3 | | DJ67-00828F | CAP KNOB; VS6700,PC,HB,3022R,COTTA BLACK, | SNA | 1 |
| 7 | 3 | | DJ66-00823A | LEVER RELEASE; VS9000NL,PC,3022R,GRAY TR- | SNA | 1 |
| 8 | 3 | | DJ62-00455C | PIPE CONNECTOR; VS6700,ABS,COTTA BLACK,HG | SNA | 1 |
| 9 | 3 | RA078 | DJ62-00456B | PIPE CREVICE; VS9000ESS,ABS,L241.8,SILVER | SA | 1 |
| 10 | 3 | | DJ63-01644C | COVER HOLDER; VS6700,ABS,HB,COTTA BLACK,H | SA | 1 |

8. Jet Fit Brush

Jet Fit Brush

Exploded View



Parts List

| No. | Lvl. | Loc. | Material Code | Description & Specification | SNA | Qty. |
|------|------|-------|---------------|--|-----|------|
| 0 | 2 | | DJ97-03121A | ASSY BRUSH; VS6700,CARPET BRUSH,COTTA BLA | SNA | 1 |
| 1 | 3 | | DJ97-03141A | ASSY BODY BRUSH; VS6700,Cotta Black | SNA | 1 |
| 1-1 | 4 | RB001 | DJ97-03139A | ASSY BODY; VS6700,Cotta Black | SNA | 1 |
| 1-2 | 4 | | DJ94-01038A | ASSY MOTOR PARTS; VS6700,SRC-395SMP-2183- | SNA | 1 |
| 1-3 | 4 | | DJ60-00067A | CONNECTOR BRUSH; PC,VS6700,COTTA BLACK,HB | SNA | 1 |
| 1-4 | 4 | | DJ63-01862A | COVER CONNECTOR; VS6700,PC,HB,COTTA BLACK | SNA | 1 |
| 1-5 | 4 | | DJ63-01662D | COVER HOLDER; VS6700,PC,HB,COTTA BLACK,30 | SNA | 1 |
| 1-6 | 4 | | DJ64-01348G | KNOB PIPE; VS6700,PC,COTTA BLACK,3022R/32 | SNA | 1 |
| 1-7 | 4 | | DJ66-00823A | LEVER RELEASE; VS9000NL,PC,3022R,GRAY TR- | SNA | 1 |
| 1-8 | 4 | | DJ67-00828F | CAP KNOB; VS6700,PC,HB,3022R,COTTA BLACK, | SNA | 1 |
| 1-9 | 4 | | DJ62-00460D | PIPE CONNECTOR; VS6700,PC,COTTA BLACK,302 | SNA | 1 |
| 1-10 | 4 | | DJ61-02565D | HOLDER ETC; VS6700,PC,L,COTTA BLACK,HB,30 | SNA | 1 |
| 1-11 | 4 | | DJ61-02551A | HOLDER TERMINAL; VS9000NL,PC,L30,EBONY BL | SNA | 1 |
| 1-12 | 4 | RA051 | DJ63-01651A | COVER TERMINAL; VS9000NL,PC,V-0,EBONY BLA | SNA | 1 |
| 1-13 | 4 | | DJ60-00056A | CONNECTOR HOSE; PP,VS9000RL,NATURAL,BJ750 | SNA | 1 |
| 1-14 | 4 | | DJ66-00914A | ROLLER; VS6700,PVC,OD15,BLACK,POM Insert | SNA | 1 |
| 1-15 | 4 | | DJ66-00912A | SHAFT ROLLER; VS6700,MSWR,L35.5,OD3,T3 | SNA | 1 |
| 1-16 | 4 | | DJ66-00911A | ROLLER; VS6700,NBR,OD10,BLACK | SNA | 2 |
| 1-17 | 4 | | DJ66-00913A | SHAFT ROLLER; VS6700,MSWR,L14,OD3,T3 | SNA | 2 |
| 2 | 3 | | DJ97-03140A | ASSY DRUM BRUSH; VS6700,L234.4,BLACK,Cott | SNA | 1 |