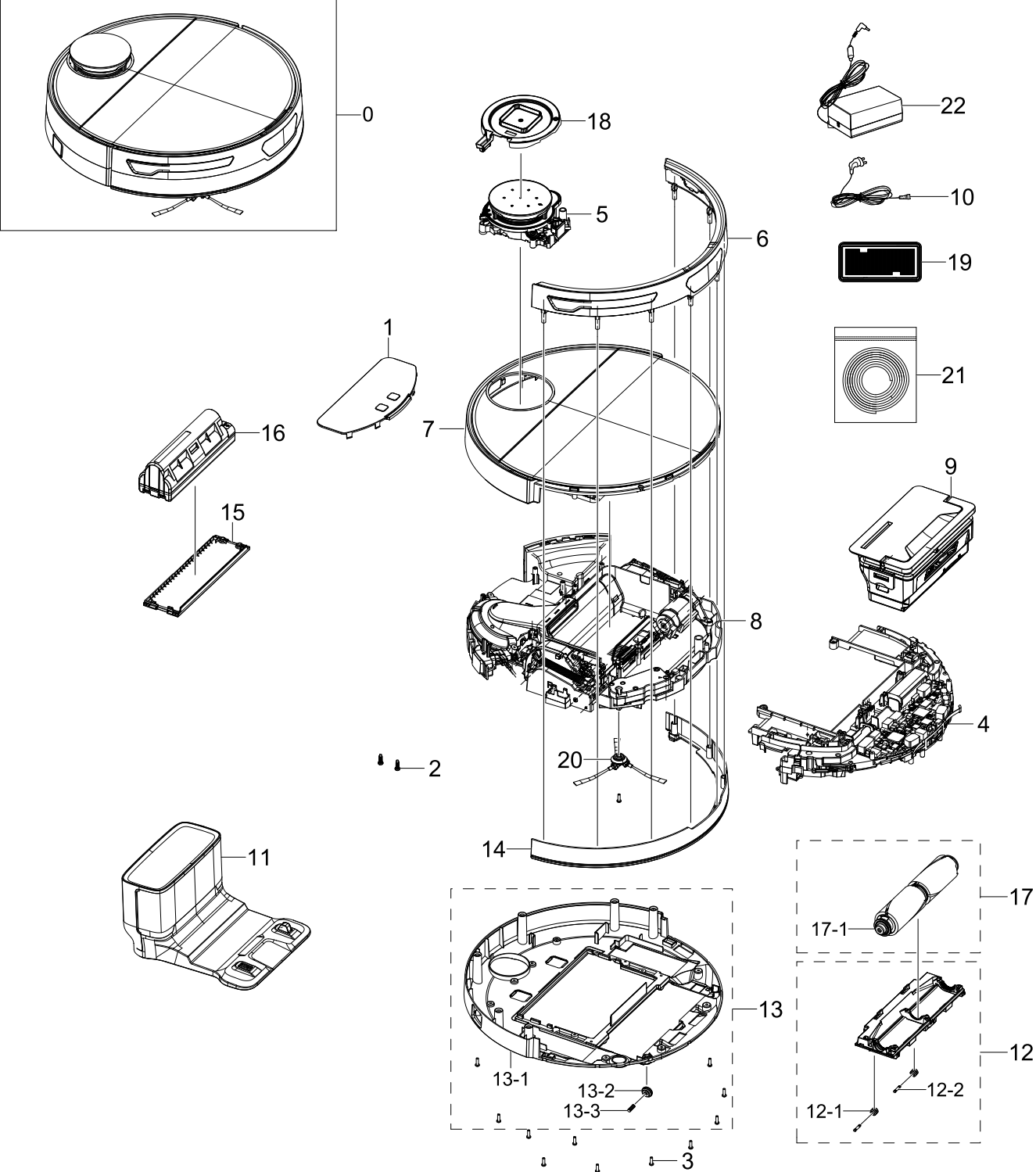


# 1. Assy Body

Assy Body

Exploded View



**Parts List**

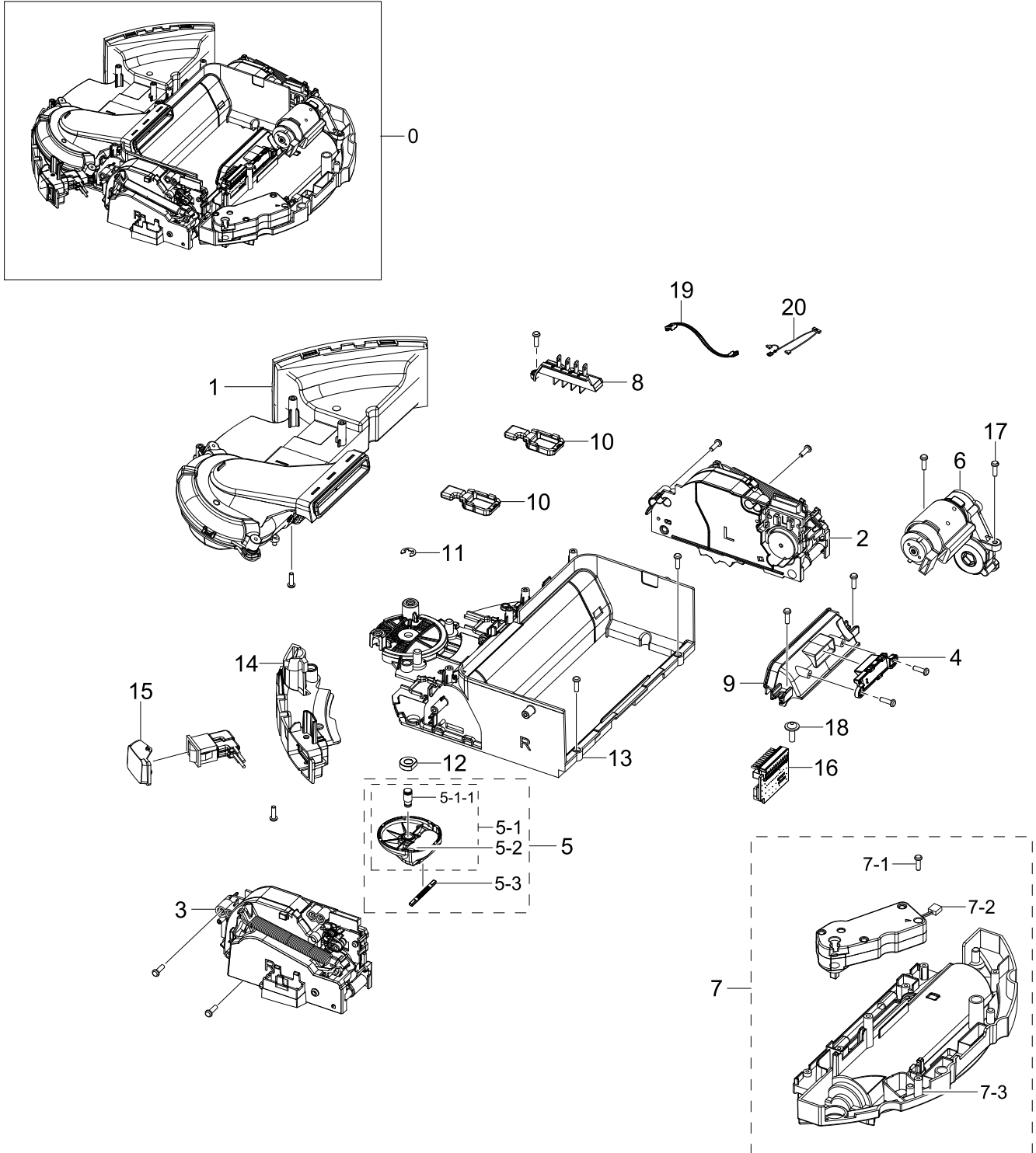
No.	Lvl.	Loc.	Material Code	Description & Specification	SNA	Qty.
0	2	RB001	DJ97-03084E	ASSY BODY; VR8000T,MISTY WHITE,GLOBAL,MIS	SNA	1
1	2	RB025	DJ97-02948A	ASSY COVER DISPLAY; VR8000T	SA	1
2	3	RV005	6002-000553	SCREW-TAPTYPE; PH,+,B,M4,L12,ZPC(BLK),SWR	SNA	2
3	3	RV005	6003-000159	SCREW-TAPTYPE; PH,+,B,M3,L10,ZPC(BLK),SWR	SNA	42
4	3		DJ97-03083C	ASSY CASE SENSOR; VR8000T,MAIN CASE SENSO	SNA	1
5	3	RJ002	DJ97-02959A	ASSY CASE MOTOR; VR8000T,MAIN LiDAR	SA	1
6	3	RB004	DJ97-02960A	ASSY BODY BUMPER; VR8000T	SA	1
7	3	RB009	DJ97-02963A	ASSY BODY MID; VR8000T	SNA	1
8	3	RB034	DJ97-02964A	ASSY FRAME; VR8000T,BODY FRAME	SNA	1
9	1		DJ97-03035A	ASSY CASE CYCLONE; VR8000R,DARK GLASS,Bag	SA	1
10	2		3903-000539	POWER CORD-DT; GBR/MYS,3P-F,250V,2.5A,BLK	SA	1
11	2	RA014	DJ96-00235A	ASSY CHARGER; VR8000T,WHITE	SA	1
12	3	RL008	DJ97-02847A	ASSY COVER DRUM; VR8000T	SA	1
12-1	4	RP107	DJ66-70163A	ASSY ROLLER BRUSH; BRUSH,VC6200,SUB GRY,O	SA	2
12-2	4		DJ66-00836A	SHAFT ROLLER; VS9000RL,MSWR,L20.4,OD3.9,D	SA	2
13	3		DJ97-02949A	ASSY COVER BASE; VS8000T	SNA	1
13-1	4	RB098	DJ63-01773A	COVER BASE; VR8500T,ABS,T2,W350,L342,HB,M	SA	1
13-2	4		DJ66-00746A	ROLLER; HB300,POM,BLACK	SA	2
13-3	4		DJ66-00776A	SHAFT ROLLER; VR7000M,STS303,L8,OD2.9,T2.	SA	2
14	3		DJ61-02796A	BODY BUMPER-OUT; VR8500T,ABS,MISTY WHITE,	SA	1
15	3		DJ63-01708A	COVER BATTERY; VR9500R,PC+ABS,T1.8,L185.5	SA	1
16	3		DJ96-00233A	ASSY BATTERY LI IB; Li-ion,21.9V,2400mAh,	SA	1
17	3		DJ97-02845A	ASSY DRUM BRUSH; VR8000T,SOFT BRUSH	SA	1
17-1	4		DJ67-00842A	CAP ETC; VR7200R,EPDM,T1.5,HB,EPDM, HRC80	SA	1
18	3		DJ67-00860A	CAP ETC; VR8500T,ABS,HB,HG-0760GP,EBONY B	SNA	1
19	2		DJ98-01193A	ASSY ACCESSORY; VR8000T,ASSY FILITER,PTFE	SA	1

No.	Lvl.	Loc.	Material Code	Description & Specification	SNA	Qty.
20	2		DJ97-02985A	ASSY BRUSH CORNER; VR8000T	SA	1
21	2	RA026	DJ97-00635C	ASSY MAGNET; VR9500T,ASSY MAGNET,MAGNET-R	SA	1
22	2		DJ44-00011A	ADAPTOR; DC25.85V,1.0A,AC100-240V,25W,0to	SA	1

## 2. Assy Frame

Assy Frame

Exploded View



## Parts List

No.	Lvl.	Loc.	Material Code	Description & Specification	SNA	Qty.
0	3	RB034	DJ97-02964A	ASSY FRAME; VR8000T,BODY FRAME	SNA	1
1	4		DJ94-01006A	ASSY MOTOR PARTS; VR8000T,NIDEC,25W	SNA	1
2	4	RB045	DJ97-02946A	ASSY WHEEL DRIVING L; VR8000T,LEFT	SA	1
3	4	RB046	DJ97-02947A	ASSY WHEEL DRIVING R; VR8000T,RIGHT	SA	1
4	4		DJ97-02962A	ASSY CASE SENSOR; VR8000T	SA	1
5	4		DJ97-02967A	ASSY HOLDER ROLLER; VR9500R	SA	1
5-1	5		DJ61-02645A	HOLDER BACK; VR9500,PA66+GF30%,L47.5,BLAC	SA	1
5-1-1	6		DJ66-00888A	SHAFT ROLLER; VR9500,SM45C,L13.5,OD6	SA	1
5-2	5		DJ66-00869A	ROLLER-OUT; VR9500,TPEE,OD12.6,BLACK	SA	1
5-3	5		DJ66-00874A	SHAFT ROLLER; VR9500,PA66+GF30%,L36,OD3.9	SA	1
6	4		DJ97-02976A	ASSY CASE DRUM; VR8000T	SA	1
7	4		DJ97-02978A	ASSY BODY BRUSH; VR8000T	SNA	1
7-1	5	RV005	6003-000159	SCREW-TAPTYPE; PH,+,B,M3,L10,ZPC(BLK),SWR	SNA	1
7-2	5		DJ61-02789A	BODY BRUSH; VR8000,ABS,EBONY BLACK,HG-076	SA	1
7-3	5	RJ002	DJ97-02965A	ASSY CASE MOTOR; VR8000T,SIDE BRUSH	SA	1
8	4		DJ97-02989A	ASSY HOLDER TERMINAL; VR9500R,BATTERY	SA	1
9	4	RB033	DJ97-02990A	ASSY DUCT INLET; VR8000T	SA	1
10	4		DJ97-02995A	ASSY PLATE; VR9500,ASSY CHARGER,CHARGER P	SA	2
11	4	RP371	6044-000227	RING-E; ID5.0,OD11,T0.6,BLUEING,STC5	SNA	1
12	4		6601-002356	BEARING-OILLESS; ID6,OD13,L3.9,SBF1118,WH	SNA	1
13	4		DJ61-02678A	FRAME; VR9500R,ABS,EBONY BLACK,T2,W174,VE	SA	1
14	4		DJ61-02781A	HOLDER BUTTON; VR8000T,ABS,T2,L155,MISTY	SA	1
15	4	RB070	DJ64-01405A	BUTTON SWITCH; VR8000T,ABS,HB,MISTY WHITE	SA	1
16	4		DJ92-00204A	ASSY MODULE; PBA SUB BRUSH,VR8000T,DRUM,	SA	1
17	4	RV005	6002-000462	SCREW-TAPPING; PH,+,2,M3,L10,ZPC(WHT),SWR	SNA	16
18	4	RV005	6002-001327	SCREW-TAPPING; PWH,+,1,M4,L12,ZPC(WHT),SW	SNA	2

Exploded Views and Parts List

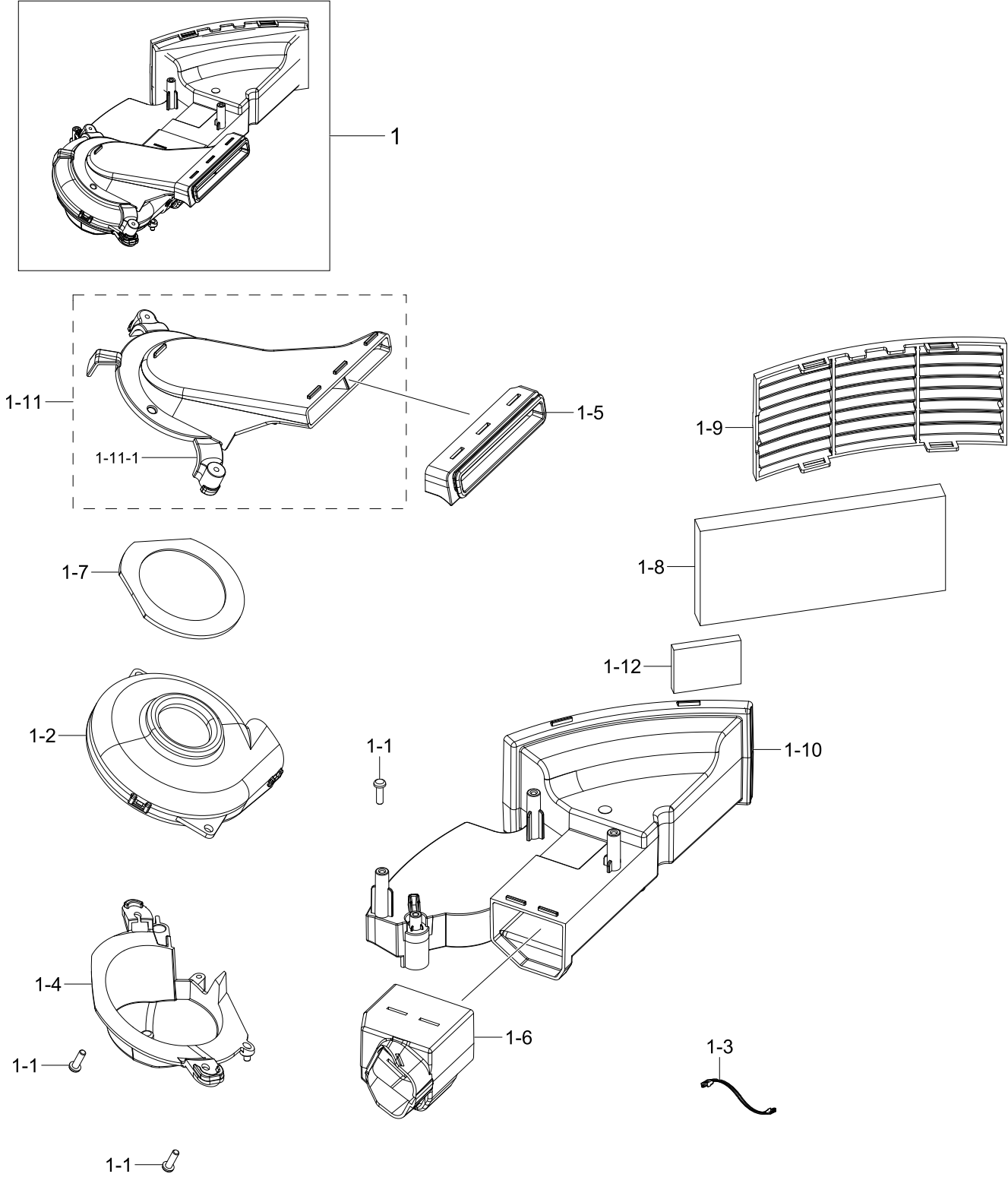
---

No.	Lvl.	Loc.	Material Code	Description & Specification	SNA	Qty.
19	4	RJ109	DJ39-00321A	WIRE HARNESS-POWER; 8P,POWER SW,CHARGER,B	SA	1
20	4		DJ39-00323A	WIRE HARNESS-PBA; 12P,DRUM ASSY,DUST DETE	SA	1

# 3. Assy Motor Parts

## Assy Motor Parts

### Exploded View



## Parts List

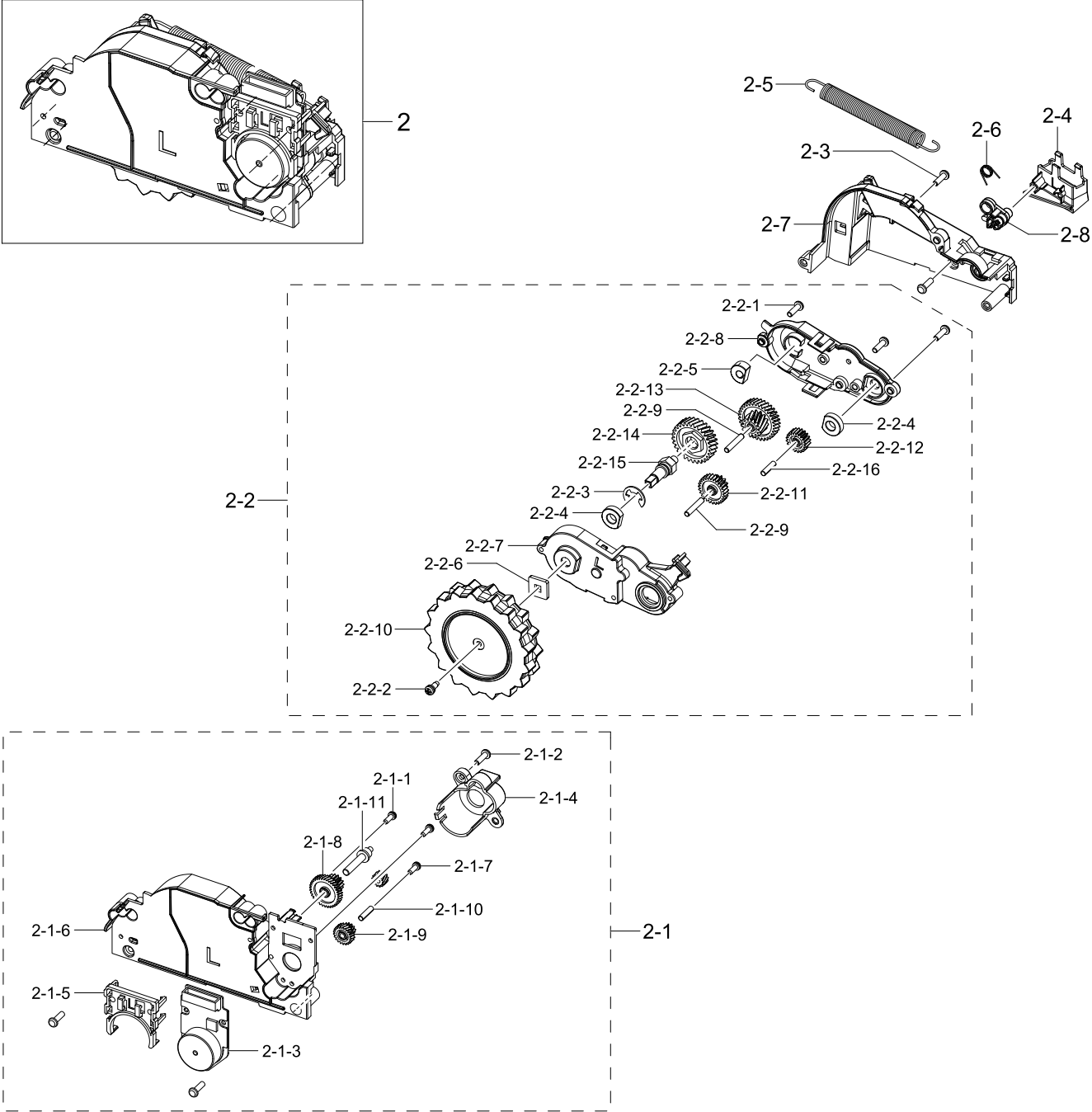
No.	Lvl.	Loc.	Material Code	Description & Specification	SNA	Qty.
1	4		DJ94-01006A	ASSY MOTOR PARTS; VR8000T,NIDEC,25W	SNA	1
1-1	5	RV005	6003-000159	SCREW-TAPTYPE; PH,+,B,M3,L10,ZPC(BLK),SWR	SNA	3
1-2	5		DJ31-00177A	MOTOR BLDC FAN; 20N843R030,16300rpm,21.6V	SA	1
1-3	5		DJ39-00316A	WIRE HARNESS-MOTOR; 4P,MOTOR POWER,SIGNAL	SA	1
1-4	5	RJ022	DJ61-02774A	CASE MOTOR-LOW; VR8500T,ABS,T1.5,EBONY BL	SA	1
1-5	5		DJ63-01765A	GASKET DUCT; VR8000T,TPV,TPV-45VSH-65A,T2	SNA	1
1-6	5		DJ63-01766A	GASKET CASE MOTOR; VR8000T,TPV,TPV-45VSH-	SNA	1
1-7	5		DJ63-01767A	GASKET CASE MOTOR; VR8000T,TPV,TPV-45VSH-	SNA	1
1-8	5		DJ63-01812A	SPONGE ETC; VR8000T,PU FOAM,T10,W115,L52,	SNA	1
1-9	5	RB149	DJ64-01381A	GRILLE BACK; VR9500R,ABS,HB,EBONY BLACK,H	SA	1
1-10	5		DJ67-00871A	DUCT OUTLET; VR8000T,ABS,HB,HG-0760GP,EBO	SA	1
1-11	5	RJ007	DJ97-02961A	ASSY CASE MOTOR UP; VR8000T	SA	1
1-11-1	6	RJ024	DJ61-02776A	CASE MOTOR-UP; VR8500T,ABS,T1.5,EBONY BLA	SA	1
1-12	5		DJ63-01832A	ABSORBER ETC; VR9500T,PU FOAM,T15,W32,L55	SA	1



# 4. Assy Wheel Driving L

## Assy Wheel Driving L

### Exploded View



**Parts List**

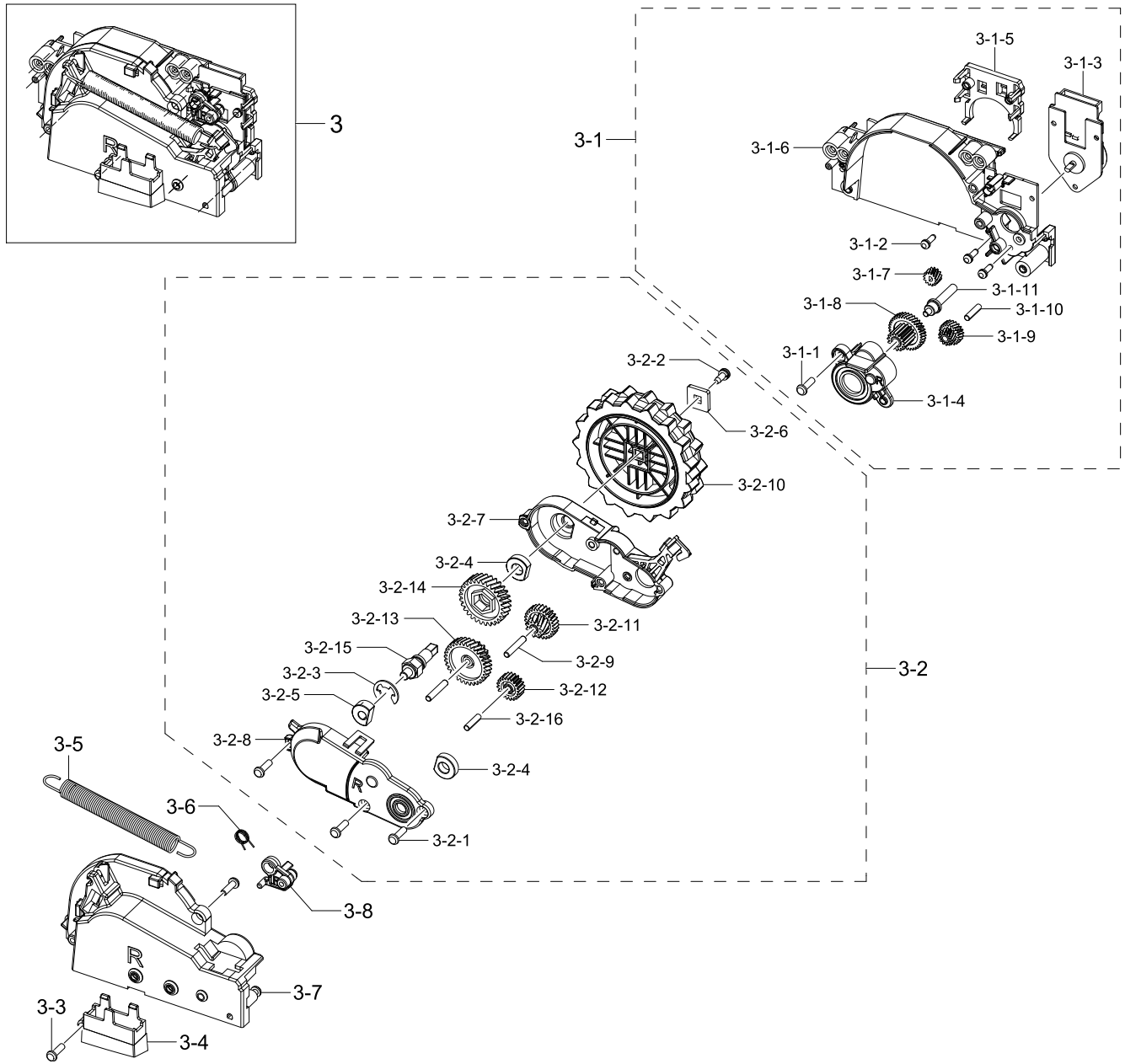
No.	Lvl.	Loc.	Material Code	Description & Specification	SNA	Qty.
2	4	RB045	DJ97-02946A	ASSY WHEEL DRIVING L; VR8000T,LEFT	SA	1
2-1	5	RL005	DJ97-02966A	ASSY CASE; VR9500T,ASSY CASE-WHEEL LEFT	SNA	1
2-1-1	6	RV005	6003-000159	SCREW-TAPTYPE; PH,+,B,M3,L10,ZPC(BLK),SWR	SNA	1
2-1-2	6	RV005	6006-000112	SCREW-MACHINE; PH,+,WS,M2.6,L8,ZPC(WHT),S	SNA	3
2-1-3	6		DJ31-00173A	MOTOR BLDC; BML5D01BB3,3500rpm,21.6V,0.5A	SNA	1
2-1-4	6		DJ61-02640A	HOLDER PIVOT-LEFT; VR9500,PC,L31,BLACK,V-	SNA	1
2-1-5	6		DJ61-02644A	HOLDER MOTOR; VR9500,PC,L32.5,BLACK,V-2,3	SNA	1
2-1-6	6		DJ61-02659A	CASE WHEEL-LEFT; VR9500,PC,BLACK,3022R	SNA	1
2-1-7	6		DJ66-00845A	GEAR PINION; VR9500,PK,NATURAL,OD8.22,M33	SNA	1
2-1-8	6		DJ66-00846A	GEAR B; VR9500,POM,NATURAL,OD19.75,F20-03	SNA	1
2-1-9	6		DJ66-00852A	GEAR A; VR9500,POM,NATURAL,OD12.16,F20-03	SNA	1
2-1-10	6		DJ66-00890A	SHAFT GEAR BOX; VR9500T,STS303,L12.1,OD3,	SNA	1
2-1-11	6		DJ66-00891A	SHAFT GEAR BOX; VR9500T,STS303,L27.9,OD7.	SNA	1
2-2	5		DJ97-03001A	ASSY GEAR; VR9500, VR8000,ASSY GEAR BOX-L	SNA	1
2-2-1	6	RV005	6003-000159	SCREW-TAPTYPE; PH,+,B,M3,L10,ZPC(BLK),SWR	SNA	3
2-2-2	6	RV005	6006-000130	SCREW-MACHINE; PH,+,WS,M3,L8,ZPC(WHT),SWR	SNA	1
2-2-3	6		6044-000298	RING-E; ID7.0,OD14,T0.8,BLUIING(BLK),ST	SNA	1
2-2-4	6		6601-002356	BEARING-OILLESS; ID6,OD13,L3.9,SBF1118,WH	SNA	2
2-2-5	6		6601-002357	BEARING-OILLESS; ID4.5,OD12,L5.2,SBF1218,	SNA	1
2-2-6	6		DJ61-02258A	FIXER SHAFT; VR9000H,CR-SPCC,T2	SNA	1
2-2-7	6		DJ61-02680A	BASE GEAR BOX-LEFT; VR9500,PC,BLACK,3022R	SNA	1
2-2-8	6		DJ63-01704A	COVER GEAR BOX-LEFT; VR9500,PC,BLACK,3022	SNA	1
2-2-9	6		DJ66-00739A	SHAFT GEAR BOX; VR9000H,STS304,L17,OD3.0,	SNA	1
2-2-10	6		DJ66-00844A	WHEEL-OUT; VR9500,TPE,OD70,CS1160,NEUTRAL	SNA	1

No.	Lvl.	Loc.	Material Code	Description & Specification	SNA	Qty.
2-2-11	6		DJ66-00847A	GEAR C; VR9500,POM,NATURAL,OD17.76,F20-03	SNA	1
2-2-12	6		DJ66-00848A	GEAR IDLE; VR9500,POM,NATURAL,OD13.38,F20	SNA	1
2-2-13	6		DJ66-00849A	GEAR MID; VR9500,PA46+GF30%,BLACK,OD24.82	SNA	1
2-2-14	6		DJ66-00850A	GEAR MAIN; VR9500,PA46+GF30%,BLACK,OD26.4	SNA	1
2-2-15	6		DJ66-00889A	SHAFT WHEEL; VR9500T,SUM24L,L29.55,D5.95,	SNA	1
2-2-16	6		DJ66-00890A	SHAFT GEAR BOX; VR9500T,STS303,L12.1,OD3,	SNA	1
2-3	5	RV005	6003-000159	SCREW-TAPTYPE; PH,+,B,M3,L10,ZPC(BLK),SWR	SNA	4
2-4	5		DJ61-02790A	HOLDER MID; VR8000,ABS,L29.5,EBONY BLACK,	SNA	1
2-5	5		DJ61-02851A	SPRING ETC COIL; VR8000,HSWR,0.9mm,ID7.4,	SNA	1
2-6	5		DJ61-02856A	SPRING ETC COIL; VR9500,VR8000,HSWR,ID6.5	SNA	1
2-7	5		DJ63-01706A	COVER WHEEL-LEFT; VR9500,PC,BLACK,3022R	SNA	1
2-8	5	RA026	DJ97-02997A	ASSY MAGNET; VR9500T,ASSY MAGNET-L,LEFT	SA	1

# 5. Assy Wheel Driving R

## Assy Wheel Driving R

### Exploded View



## Parts List

No.	Lvl.	Loc.	Material Code	Description & Specification	SNA	Qty.
3	4	RB046	DJ97-02947A	ASSY WHEEL DRIVING R; VR8000T,RIGHT	SA	1
3-1	5	RL005	DJ97-02999A	ASSY CASE; VR9500T,ASSY CASE-WHEEL RIGHT	SNA	1
3-1-1	6	RV005	6003-000159	SCREW-TAPTYPE; PH,+,B,M3,L10,ZPC(BLK),SWR	SNA	1
3-1-2	6	RV005	6006-000112	SCREW-MACHINE; PH,+,WS,M2.6,L8,ZPC(WHT),S	SNA	3
3-1-3	6		DJ31-00173A	MOTOR BLDC; BML5D01BB3,3500rpm,21.6V,0.5A	SNA	1
3-1-4	6		DJ61-02639A	HOLDER PIVOT-RIGHT; VR9500,PC,L31,BLACK,V	SNA	1
3-1-5	6		DJ61-02643A	HOLDER MOTOR; VR9500,PC,L32.5,BLACK,V-2,3	SNA	1
3-1-6	6		DJ61-02658A	CASE WHEEL-RIGHT; VR9500,PC,BLACK,3022R	SNA	1
3-1-7	6		DJ66-00845A	GEAR PINION; VR9500,PK,NATURAL,OD8.22,M33	SNA	1
3-1-8	6		DJ66-00846A	GEAR B; VR9500,POM,NATURAL,OD19.75,F20-03	SNA	1
3-1-9	6		DJ66-00852A	GEAR A; VR9500,POM,NATURAL,OD12.16,F20-03	SNA	1
3-1-10	6		DJ66-00890A	SHAFT GEAR BOX; VR9500T,STS303,L12.1,OD3,	SNA	1
3-1-11	6		DJ66-00891A	SHAFT GEAR BOX; VR9500T,STS303,L27.9,OD7.	SNA	1
3-2	5		DJ97-02998A	ASSY GEAR; VR9500, VR8000,ASSY GEAR BOX-R	SNA	1
3-2-1	6	RV005	6003-000159	SCREW-TAPTYPE; PH,+,B,M3,L10,ZPC(BLK),SWR	SNA	3
3-2-2	6	RV005	6006-000130	SCREW-MACHINE; PH,+,WS,M3,L8,ZPC(WHT),SWR	SNA	1
3-2-3	6		6044-000298	RING-E; ID7.0,OD14,T0.8,BLUING(BLK),ST	SNA	1
3-2-4	6		6601-002356	BEARING-OILLESS; ID6,OD13,L3.9,SBF1118,WH	SNA	2
3-2-5	6		6601-002357	BEARING-OILLESS; ID4.5,OD12,L5.2,SBF1218,	SNA	1
3-2-6	6		DJ61-02258A	FIXER SHAFT; VR9000H,CR-SPCC,T2	SNA	1
3-2-7	6		DJ61-02679A	BASE GEAR BOX-RIGHT; VR9500,PC,BLACK,3022	SNA	1
3-2-8	6		DJ63-01705A	COVER GEAR BOX-RIGHT; VR9500,PC,BLACK,302	SNA	1
3-2-9	6		DJ66-00739A	SHAFT GEAR BOX; VR9000H,STS304,L17,OD3.0,	SNA	2
3-2-10	6		DJ66-00844A	WHEEL-OUT; VR9500,TPE,OD70,CS1160,NEUTRAL	SNA	1

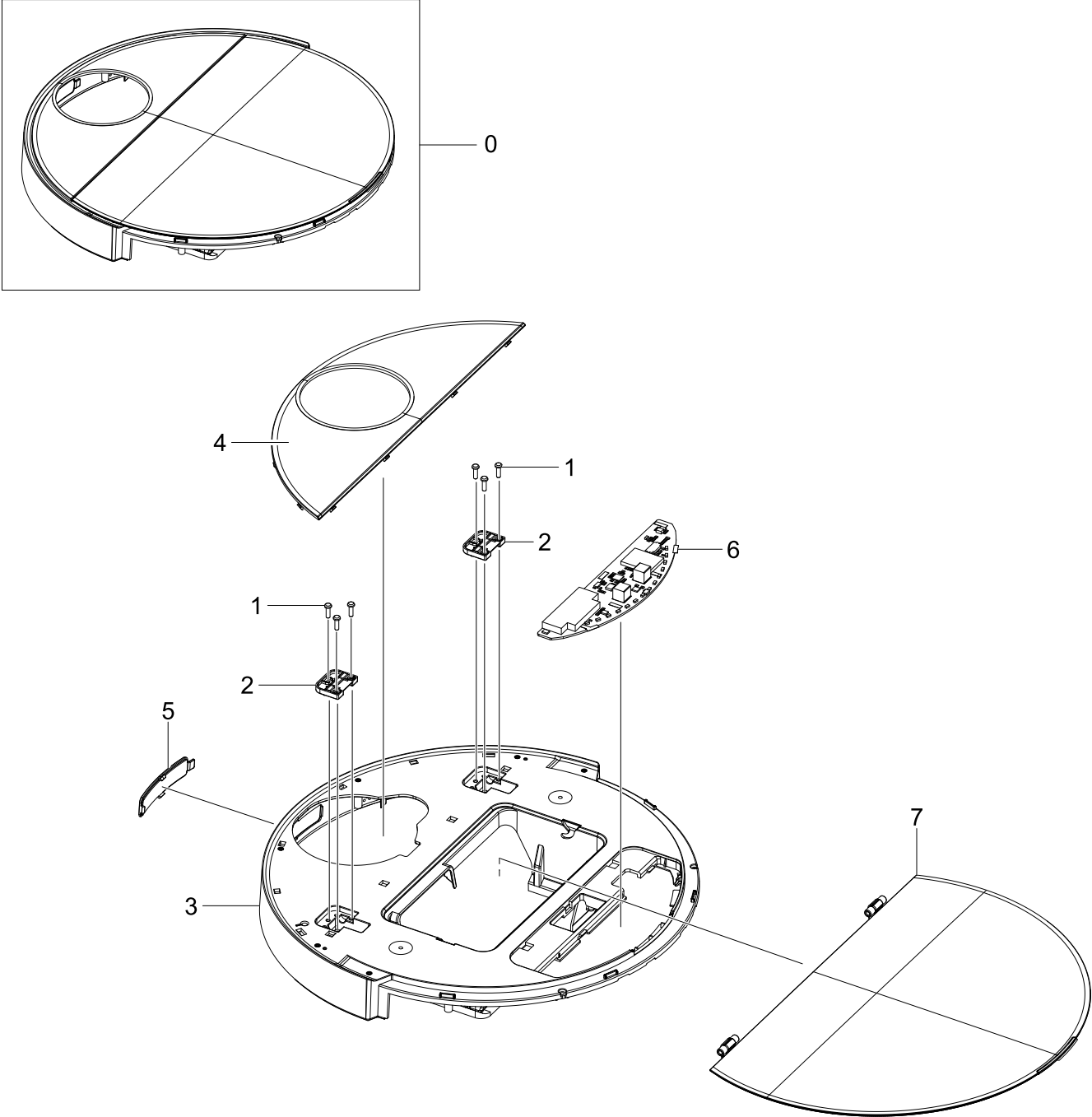
## Exploded Views and Parts List

No.	Lvl.	Loc.	Material Code	Description & Specification	SNA	Qty.
3-2-11	6		DJ66-00847A	GEAR C; VR9500,POM,NATURAL,OD17.76,F20-03	SNA	1
3-2-12	6		DJ66-00848A	GEAR IDLE; VR9500,POM,NATURAL,OD13.38,F20	SNA	1
3-2-13	6		DJ66-00849A	GEAR MID; VR9500,PA46+GF30%,BLACK,OD24.82	SNA	1
3-2-14	6		DJ66-00850A	GEAR MAIN; VR9500,PA46+GF30%,BLACK,OD26.4	SNA	1
3-2-15	6		DJ66-00889A	SHAFT WHEEL; VR9500T,SUM24L,L29.55,D5.95,	SNA	1
3-2-16	6		DJ66-00890A	SHAFT GEAR BOX; VR9500T,STS303,L12.1,OD3,	SNA	1
3-3	5	RV005	6003-000159	SCREW-TAPTYPE; PH,+,B,M3,L10,ZPC(BLK),SWR	SNA	4
3-4	5		DJ61-02791A	HOLDER MID; VR8000,ABS,L29.5,EBONY BLACK,	SNA	1
3-5	5		DJ61-02851A	SPRING ETC COIL; VR8000,HSWR,0.9mm,ID7.4,	SNA	1
3-6	5		DJ61-02853A	SPRING ETC COIL; VR9500,VR8000,HSWR,ID6.5	SNA	1
3-7	5		DJ63-01707A	COVER WHEEL-RIGHT; VR9500,PC,BLACK,3022R	SNA	1
3-8	5	RA026	DJ97-02996A	ASSY MAGNET; VR9500T,ASSY MAGNET-R,RIGHT	SA	1

# 6. Assy Body Mid

Assy Body Mid

Exploded View



**Parts List**

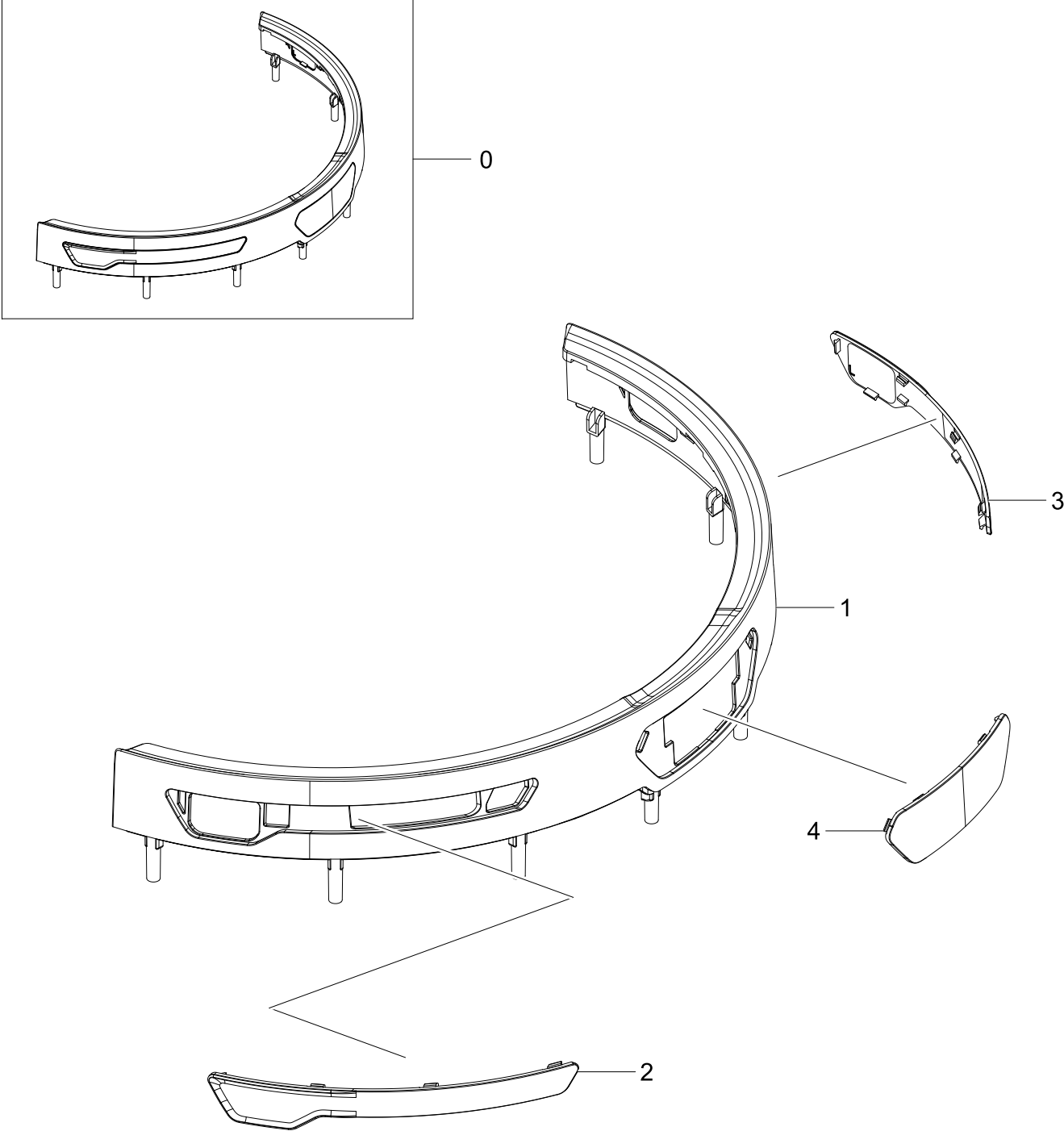
No.	Lvl.	Loc.	Material Code	Description & Specification	SNA	Qty.
0	3	RB009	DJ97-02963A	ASSY BODY MID; VR8000T	SNA	1
1	4	RV005	6003-000159	SCREW-TAPTYPE; PH,+,B,M3,L10,ZPC(BLK),SWR	SNA	6
2	4		DJ61-02783A	HOLDER MID; VR8500/VR8000,POM,T1.5,L29.75	SNA	2
3	4	RB059	DJ61-02807A	BODY MID; VR8500T,ABS,T2.5,CLEAR GRAY,FRO	SA	1
4	4	RB150	DJ63-01775A	COVER BACK; VR8500T,ABS,T2.5,HB,MISTY WHI	SA	1
5	4		DJ64-01413A	WINDOW SENSOR; VR8000,PC,PC110,DARK GLASS	SNA	1
6	4		DJ92-00189B	ASSY MICOM-DISPLAY; DISPLAY(MCU, C1W4-LED	SA	1
7	4	RB042	DJ97-02975A	ASSY PANEL CONTROL; VR8000T	SA	1



# 7. Assy Body Bumper

Assy Body Bumper

Exploded View



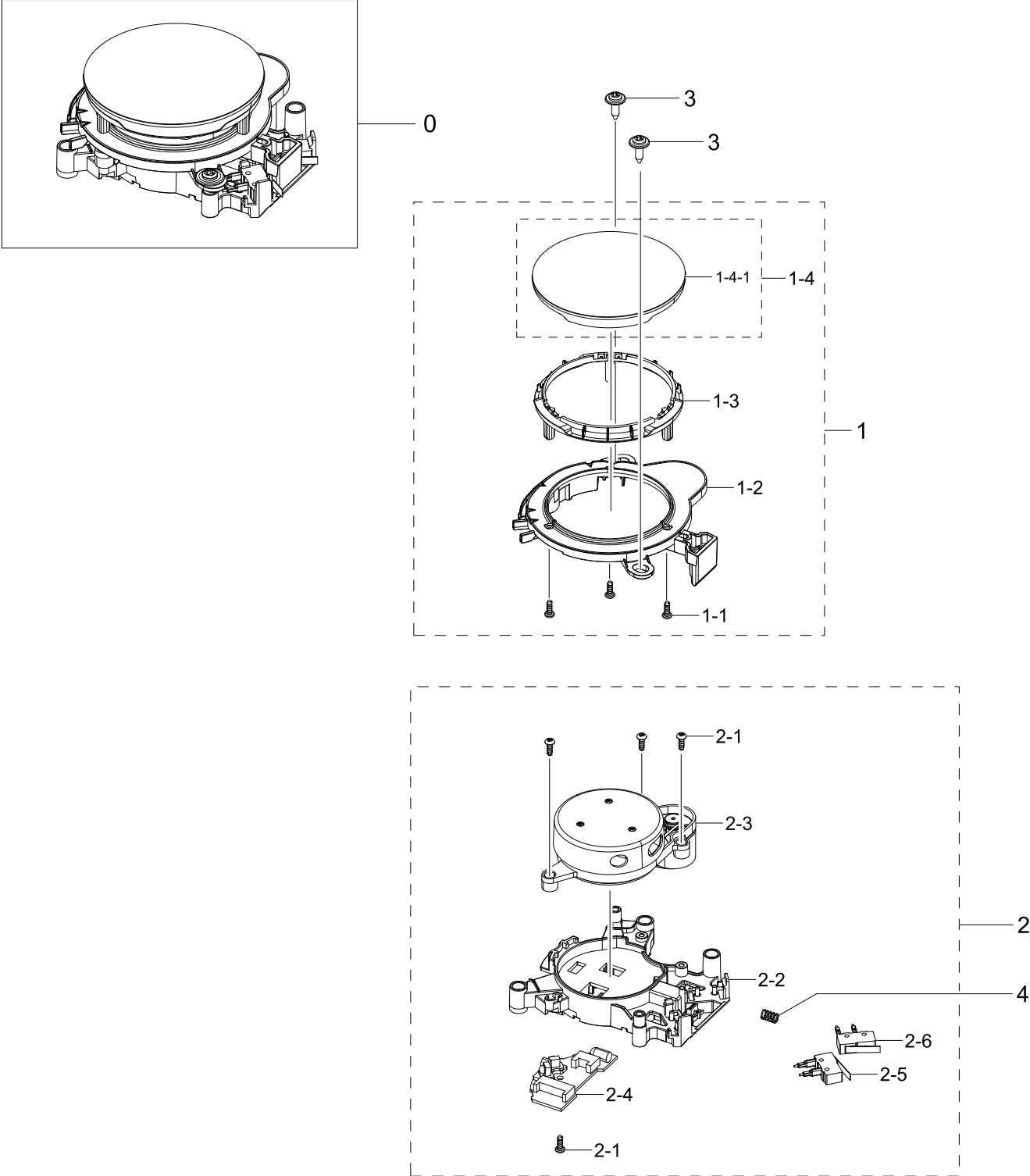
**Parts List**

No.	Lvl.	Loc.	Material Code	Description & Specification	SNA	Qty.
0	3	RB004	DJ97-02960A	ASSY BODY BUMPER; VR8000T	SA	1
1	4		DJ61-02793A	BODY BUMPER; VR8500T,ABS,CLEAR GRAY,FRONT	SNA	1
2	4		DJ64-01418A	WINDOW SLIDE; VR8000T,PC,3022R,DARK GLASS	SNA	1
3	4		DJ64-01420A	WINDOW SLIDE; VR8000T,PC,3022R,DARK GLASS	SNA	1
4	4		DJ64-01419A	WINDOW SENSOR; VR8000T,PC,3022R,DARK GLAS	SA	1

# 8. Assy Case Motor

Assy Case Motor

## Exploded View



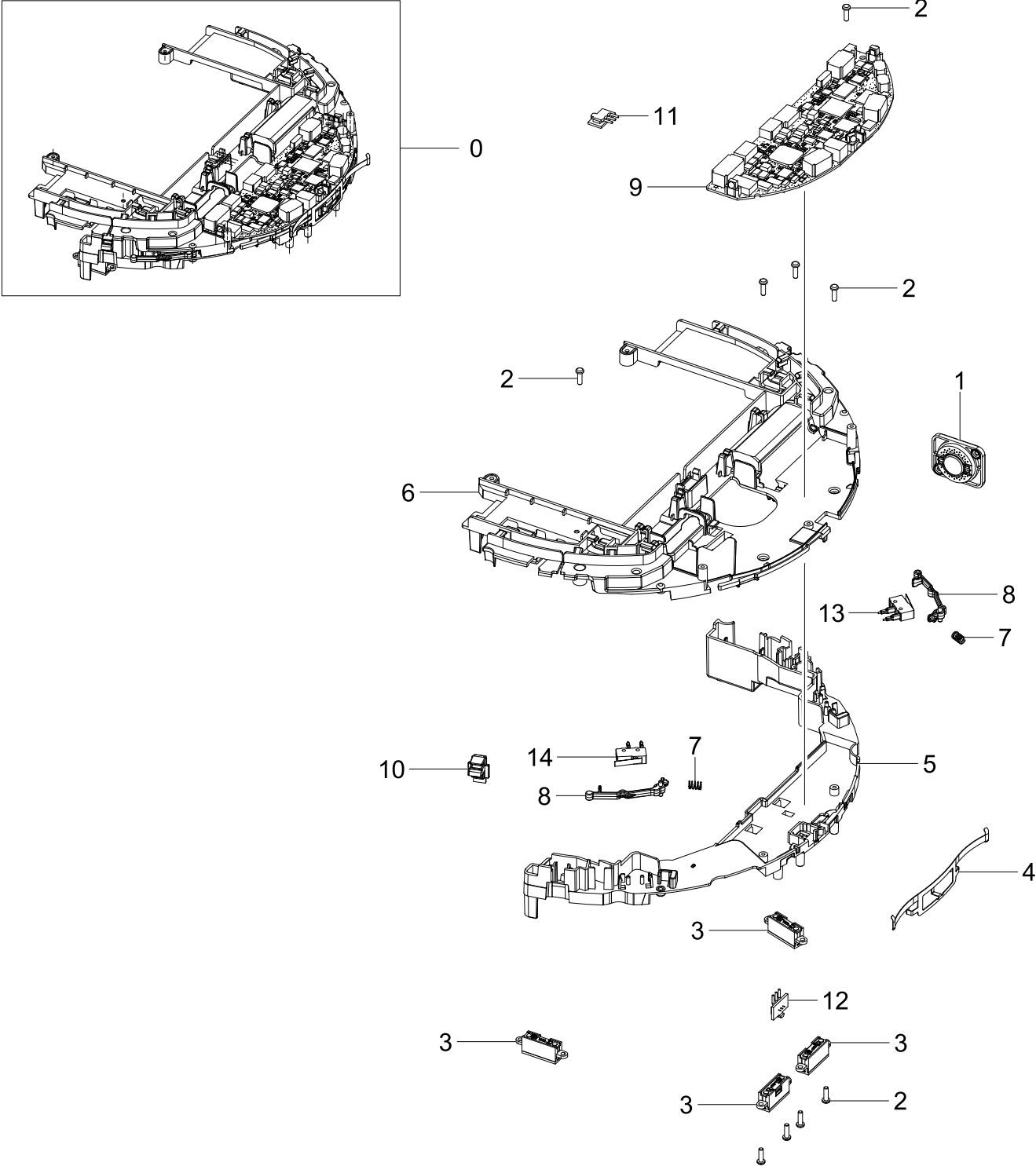
**Parts List**

No.	Lvl.	Loc.	Material Code	Description & Specification	SNA	Qty.
0	3	RJ002	DJ97-02959A	ASSY CASE MOTOR; VR8000T,MAIN LiDAR	SA	1
1	4	RJ007	DJ97-02991A	ASSY CASE MOTOR UP; VR8000T,LIDAR UPPER	SNA	1
1-1	5	RV005	6003-000167	SCREW-TAPTYPE; PH,+,B,M3,L8,ZPC(BLK),SWRC	SNA	3
1-2	5		DJ61-02771A	HOLDER BUMPER; VR8000T,ABS,T2,L109.9,EBON	SNA	1
1-3	5		DJ61-02773A	CASE SENSOR; VR8000T,ABS,T2,EBONY BLACK,H	SNA	1
1-4	5		DJ97-03088A	ASSY COVER; VR9500T,VYNIL,PACKING,PURE SI	SA	1
1-4-1	6		DJ67-00850A	CAP COVER; VR9500R,ABS,T2.5,HB,HG-0760GP,	SA	1
2	4	RJ005	DJ97-02992A	ASSY CASE MOTOR LOW; VR8000T,LIDAR LOWER	SA	1
2-1	5	RV005	6003-000167	SCREW-TAPTYPE; PH,+,B,M3,L8,ZPC(BLK),SWRC	SNA	4
2-2	5		DJ61-02775A	HOLDER SENSOR; VR8000T,PC,T2,L104,BLACK,3	SNA	1
2-3	5		DJ92-00201A	ASSY MODULE; LiDAR MODULE,VR8000T,LiDAR,	SNA	1
2-4	5		DJ92-00207A	ASSY MODULE; PBA DOCKING IR,VR9500R,Stand	SA	1
2-5	5	RJ161	DJ39-00309B	WIRE HARNESS-SENSOR; 4P,LIDAR BUMPER_UR(R)	SA	1
2-6	5	RJ161	DJ39-00322A	WIRE HARNESS-SENSOR; 18P,LIDAR ASSY,REAR	SA	1
3	4	RV005	6002-001327	SCREW-TAPPING; PWH,+,1,M4,L12,ZPC(WHT),SW	SNA	2
4	4		DJ61-02849A	SPRING ETC; VR9500,SWPB,0.5mm,ID4.6,OD5.6	SNA	1

# 9. Assy Case Sensor

Assy Case Sensor

## Exploded View



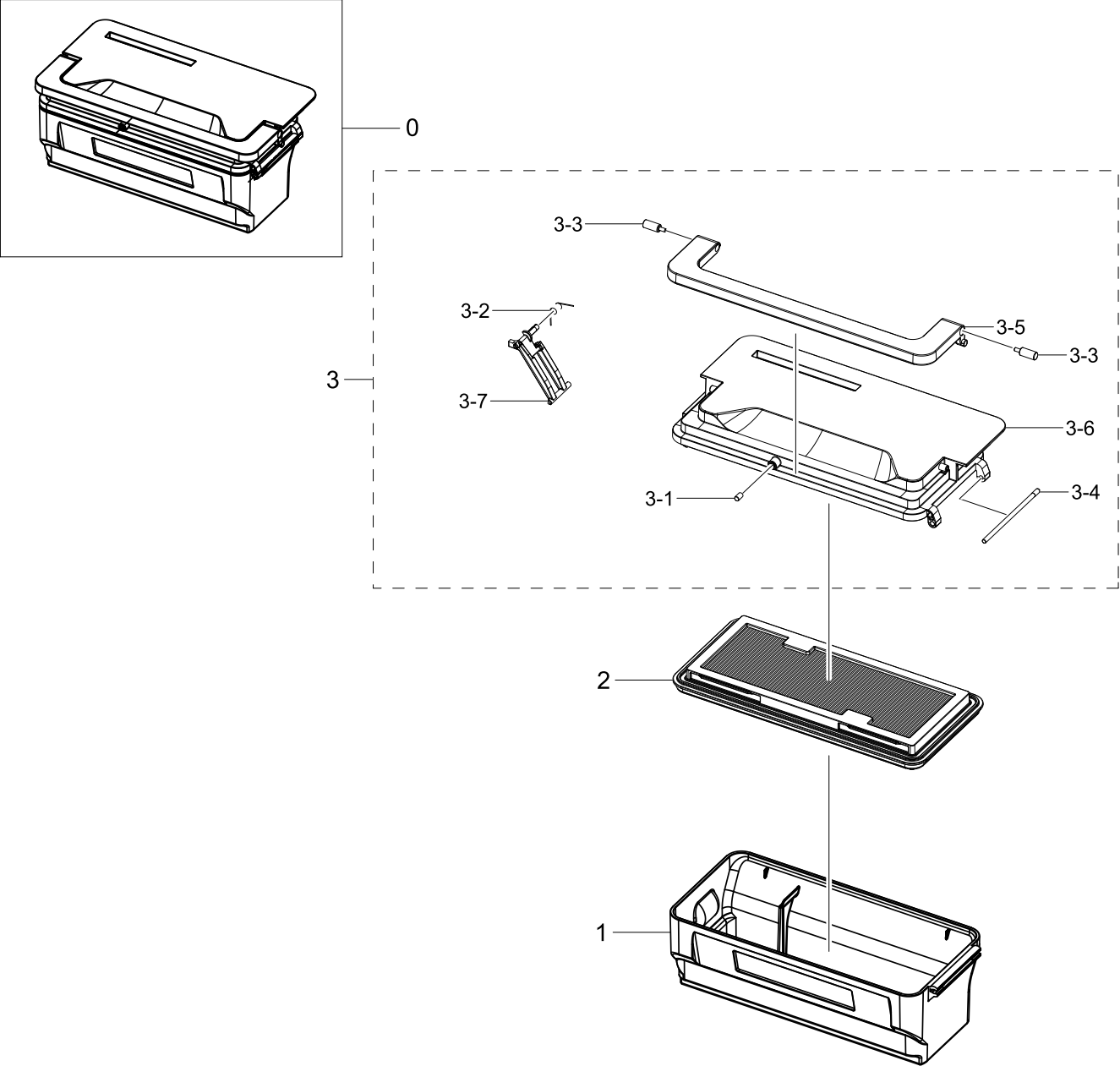
## Parts List

No.	Lvl.	Loc.	Material Code	Description & Specification	SNA	Qty.
0	3		DJ97-03083C	ASSY CASE SENSOR; VR8000T,MAIN CASE SENSO	SNA	1
1	4		3001-002864	SPEAKER; 822dB,450Hz,40x32x9.5mm,2W	SA	1
2	4	RV005	6003-000159	SCREW-TAPTYPE; PH,+ ,B,M3,L10,ZPC(BLK),SWR	SNA	9
3	4		DJ32-00023A	SENSOR PHOTO; KIR9011C,5V	SNA	4
4	4		DJ61-02800A	SPRING PLATE; VR8000,STS301,OD126,T0.4	SNA	1
5	4		DJ61-02804A	CASE SENSOR; VR8000T,ABS,T2,EBONY BLACK,H	SNA	1
6	4		DJ61-02806A	CASE SENSOR; VR8000T,ABS,T2,EBONY BLACK,H	SNA	1
7	4		DJ61-02849A	SPRING ETC; VR9500,SWPB,0.5mm,ID4.6,OD5.6	SNA	2
8	4		DJ66-00870A	LEVER BUMPER; VR8000T,POM,K300,NATURAL	SA	2
9	4		DJ92-00202E	ASSY PCB MAIN; PBA MAIN 6L,VR8000T,194X64	SA	1
10	4		DJ97-03055A	ASSY HOLDER; VR9500T,BLACK	SNA	1
11	4		DJ39-00320A	WIRE HARNESS-PBA; 22P,WHEEL LEFT,DUSTBIN,	SA	1
12	4		DJ39-00324A	WIRE HARNESS-PBA; 30P,WHEEL RIGHT,POWER I	SA	1
13	4	RJ161	DJ39-00325A	WIRE HARNESS-SENSOR; 22P,SENSOR LEFT,CLIF	SA	1
14	4	RJ161	DJ39-00326A	WIRE HARNESS-SENSOR; 22P,SENSOR RIGHT,BRU	SA	1

# 10. Assy Cyclone Body

Assy Cyclone Body

## Exploded View



## Parts List

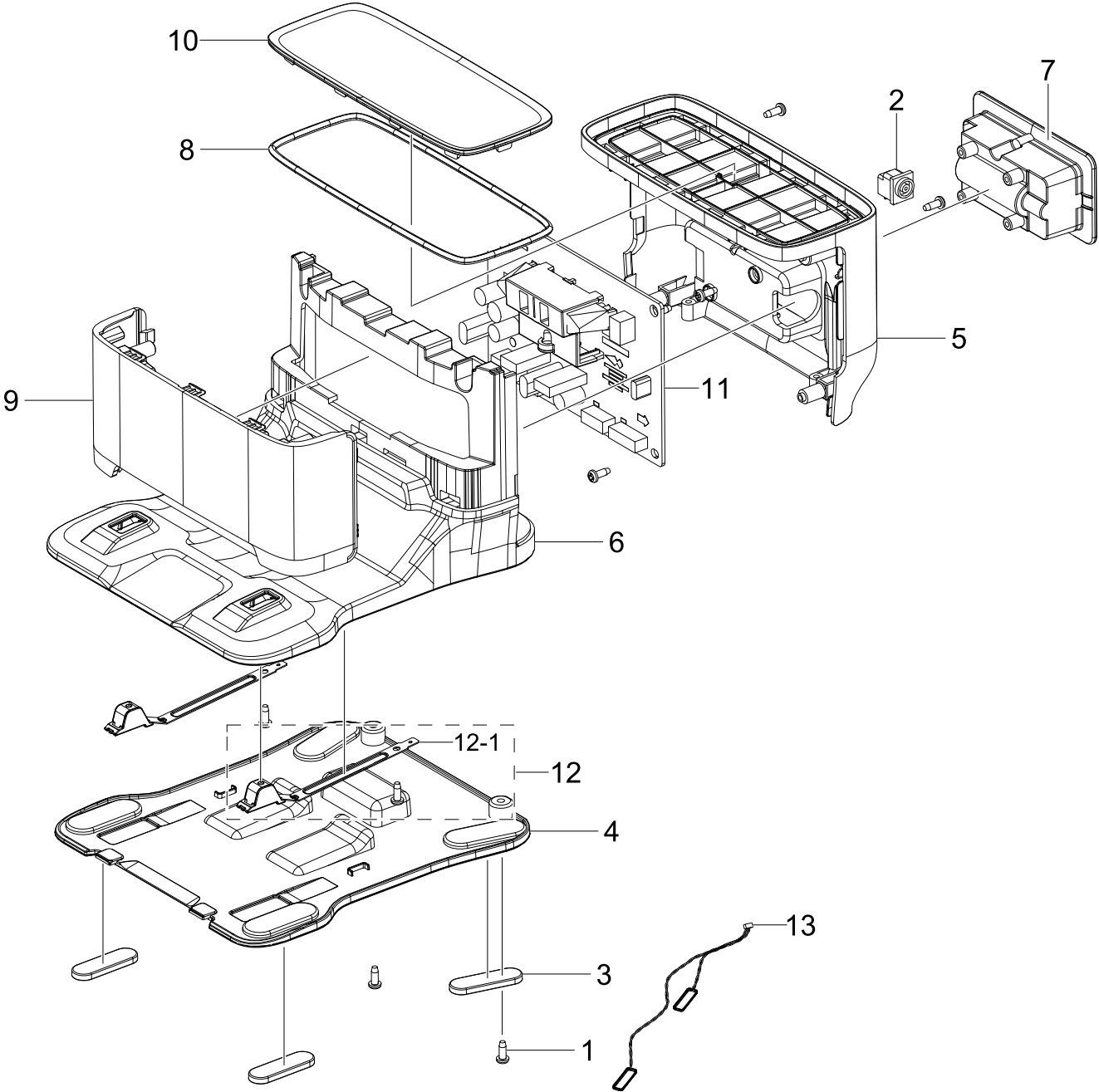
No.	Lvl.	Loc.	Material Code	Description & Specification	SNA	Qty.
0	1		DJ97-03035A	ASSY CASE CYCLONE; VR8000R,DARK GLASS,Bag	SA	1
1	2		DJ61-02795A	CASE CYCLONE; VR8000T,PC,T2,DARK GLASS,30	SNA	1
2	2	RA023	DJ97-02924A	ASSY FILTER OUTLET; VR8000R,TEXTILE	SNA	1
3	2		DJ97-02926A	ASSY COVER; VR8000R,DARK GLASS	SA	1
3-1	3		DJ61-01025A	MAGNET-COIN; VC-RS60,MAGNET,W3,L5,MD,Nd-F	SNA	1
3-2	3		DJ61-02818A	SPRING ETC; VR9500T,STS304,0.4mm,ID3.4,OD	SNA	1
3-3	3		DJ61-02857A	GUIDE HANDLE; VR9500R,STS304,T2,L14.4,D4.	SNA	2
3-4	3		DJ66-00882A	SHAFT; VR9500T,STS304,L61.2,T2.5,D2.5,COV	SNA	1
3-5	3	RB112	DJ63-01703A	COVER HANDLE; VR9500R,ABS,T2.5,W179.3,L42	SNA	1
3-6	3		DJ63-01770A	COVER CYCLONE; VR8000T,PC,T2,W179.5,L95.3	SNA	1
3-7	3		DJ66-00851A	LEVER SAFETY; VR9500R,PC,3022R,BLACK	SNA	1



# 11. Assy Charger

Assy Charger

Exploded View



## Parts List

No.	Lvl.	Loc.	Material Code	Description & Specification	SNA	Qty.
1	3	RV005	6003-000159	SCREW-TAPTYPE; PH,+,B,M3,L10,ZPC(BLK),SWR	SNA	10
2	3	RJ109	DJ39-00336A	WIRE HARNESS-POWER; 3P,DC JACK,UL1061,#22	SA	1
3	3		DJ61-02810A	HOLDER RUBBER; VR9500,Si,T3,L33.6,BLACK,H	SNA	4
4	3		DJ61-02828A	BODY CHARGER; VR8000T,ABS,MISTY WHITE,RM-	SA	1
5	3		DJ61-02830A	BODY BACK; VR8000T,ABS,CLEAR GRAY,HB,HG-0	SA	1
6	3		DJ63-01787A	COVER CHARGER; VR9500T STATION,ABS,HB,CLE	SA	1
7	3		DJ63-01788A	COVER CORD; VR8000T,ABS,HB,CLEAR GRAY,HG-	SNA	1
8	3		DJ63-01797A	GASKET ETC; VR8000T,EPDM FOAM,T3,L350,EXT	SNA	1
9	3		DJ64-01416A	WINDOW SENSOR; VR8000T,PC,PC110,DARK GLAS	SA	1
10	3		DJ67-00875A	CAP COVER; VR9500,ABS,RM-0760,MISTY WHITE	SA	1
11	3		DJ92-00210A	ASSY MICOM; VR8000T_CHARGER,ABOV(AC30M136	SA	1
12	3		DJ97-02927A	ASSY PLATE; VR8000T,ASSY PLATE	SA	2
12-1	4		DJ61-02831A	SPRING PLATE; VR8000T,STS304,OD3.1,T0.5	SA	2
13	3		DJ39-00319B	WIRE HARNESS-TERMINAL; 4P,CHARGER TERMINA	SA	1