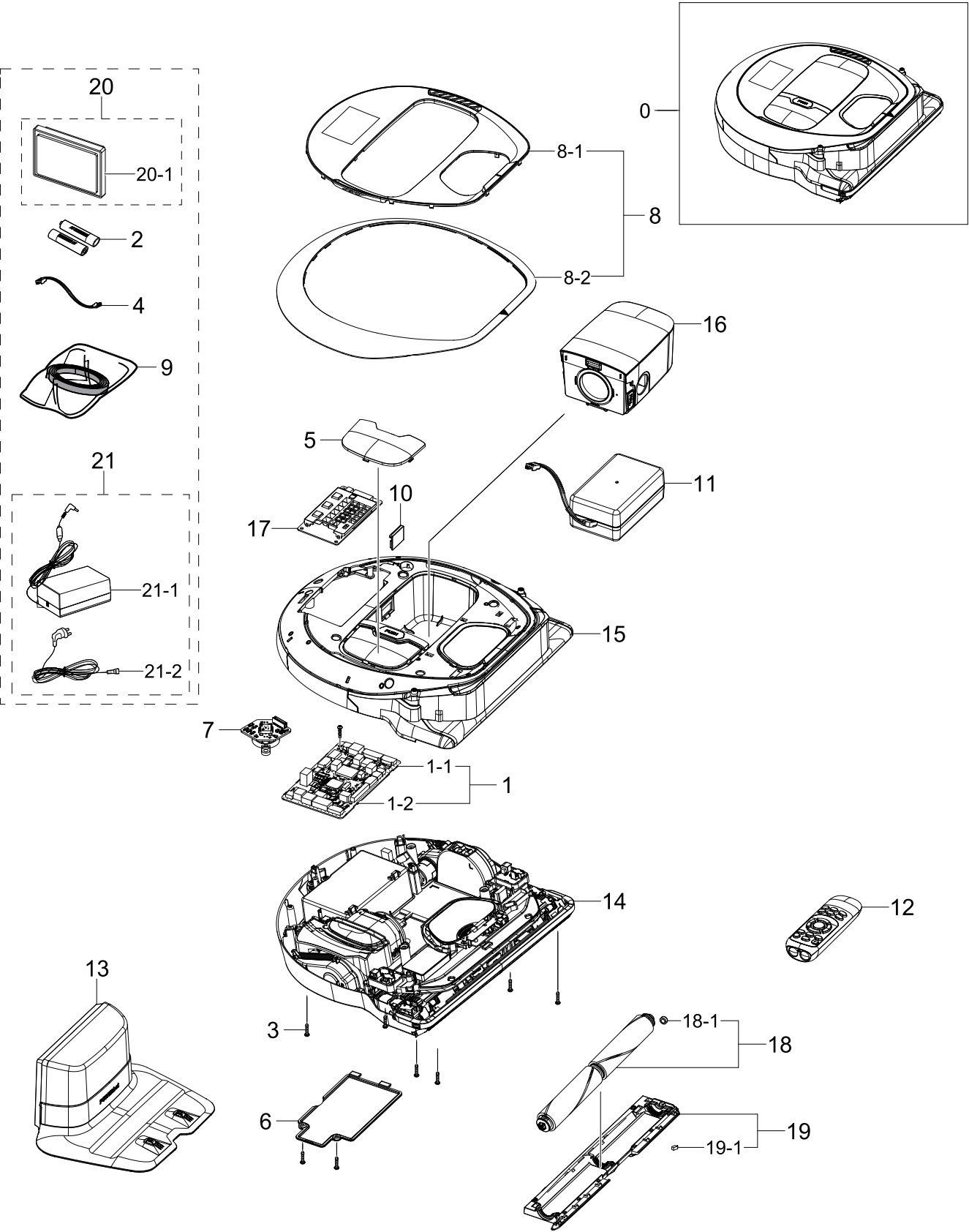


1. Body

Exploded View



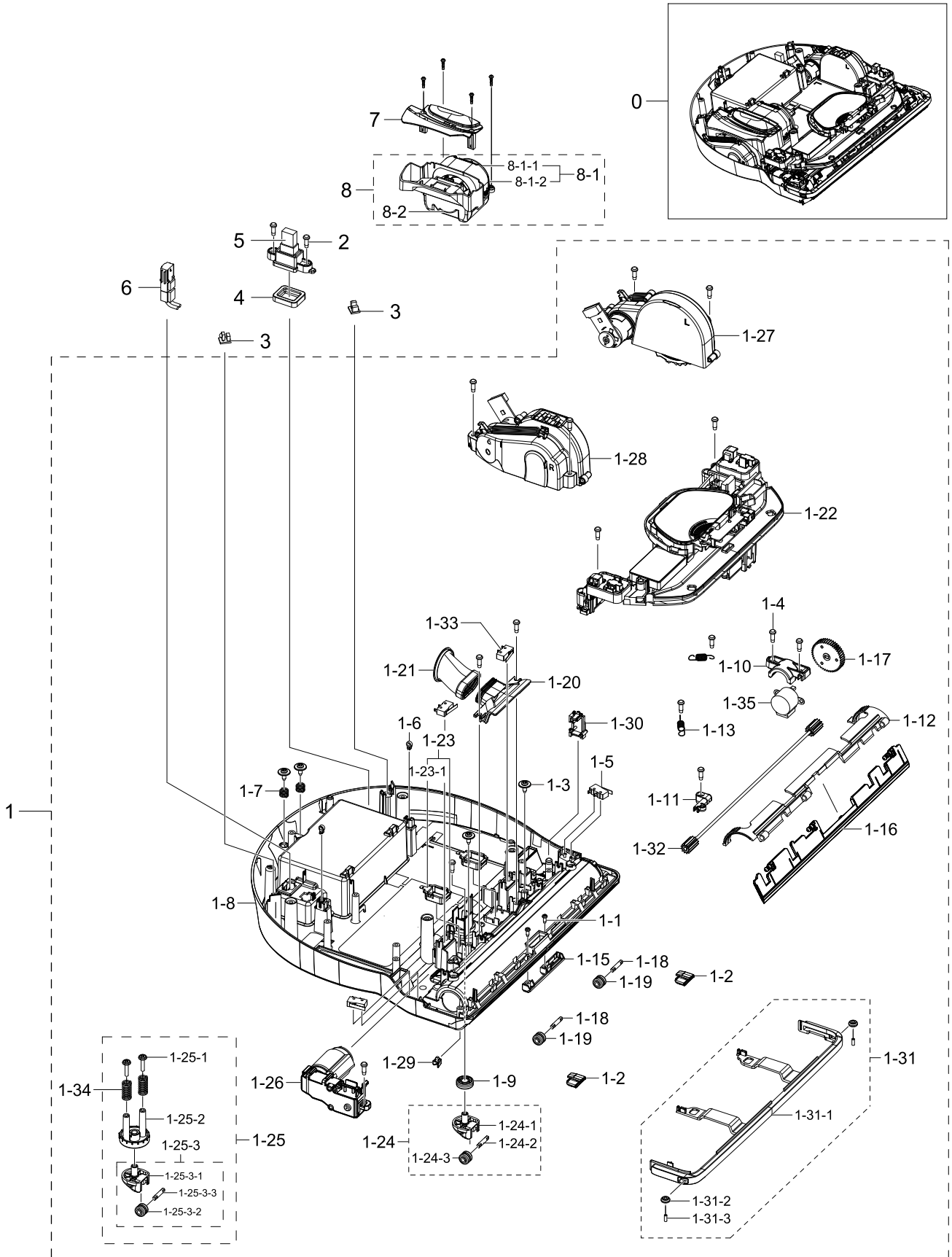
Parts List

No.	Lvl.	Loc.	Material Code	Description & Specification	SNA	Qty.
1	1		DJ92-00180C	ASSY PCB MAIN; PBA MAIN 2L,VR7200R,160X97	SA	1
1-1	3		2007-007798	R-CHIP; 10ohm,1%,1/16W,TP,1005,T0.35	SA	5
1-2	3		2007-008779	R-CHIP; 0ohm,1%,1/16W,TP,1005	SA	4
2	2		4301-000103	BATTERY-ALKALINE; 1.5V,750mAH,LR03,10.2x4	SNA	2
3	2	RV005	6003-000171	SCREW-TAPTYPE; PH,+,NO,B,M4,L16,ZPC(WHT),	SNA	9
4	2		DJ39-00254M	WIRE HARNESS-PBA; 12P,RIBBON CABLE, OP18C	SA	1
5	2		DJ63-01560B	COVER CASE MOTOR; VR7000M,PC,HB,DARK GLAS	SA	1
6	2		DJ63-01676A	COVER BATTERY; VR7200R,ABS+PC,T5,W159.45,	SA	1
7	3		DJ92-00174A	ASSY MODULE; VR7200R,OPTICAL FLOW SENSOR,	SA	1
8	1	RB042	DJ97-02682A	ASSY PANEL CONTROL; VR7200R,PURE SILVER	SA	1
8-1	2		DJ64-01309A	PANEL CONTROL-IN; VR7000M,ABS+PMMA,HB,DAR	SA	1
8-2	2		DJ64-01367A	PANEL CONTROL-OUT; VR7200R,ABS,HG-0760GP,	SA	1
9	2	RA026	DJ97-00635E	ASSY MAGNET; VR7000M,No film, Export	SA	1
10	2		DJ67-00734A	CAP COVER; VR9000H,TPE,-,5252SP,EBONY B	SA	1
11	2		DJ96-00193F	ASSY BATTERY LI IB; Li-ion,21.6V,3600mAh,	SA	1
12	2	RA028	DJ96-00191H	ASSY REMOCON; VR7000M,EXP/USA-20W-WiFi-PC	SA	1
13	2	RA014	DJ96-00208B	ASSY CHARGER; VR7000M,EXP	SA	1
14	1	RB002	DJ97-02675A	ASSY BODY BASE; VR7200R,KOR-20W-WiFi-PC-M	SNA	1
15	1	RB009	DJ97-02481N	ASSY BODY MID; VR7200R,VR20R7250WC,PURE S	SA	1
16	1		DJ97-02482B	ASSY CYCLONE; VR7000M,VR10M7030UW	SA	1
17	1		DJ97-02483C	ASSY HOLDER DISPLAY; VR7000M,Gyro_Energy	SA	1
18	1		DJ97-02654A	ASSY DRUM BRUSH; VR7200R,SOFT DRUM	SA	1
18-1	2		DJ67-00842A	CAP ETC; VR7200R,EPDM,T1.5,HB,EPDM, HRC80	SA	1
19	1	RL008	DJ97-02658A	ASSY COVER DRUM; VR7200R,SOFT DRUM	SA	1
19-1	2		DJ67-00792A	BRUSH ETC-LEFT; VR7000M,NBR,NEUTRAL GRAY	SA	1
20	2		DJ98-01134A	ASSY ACCESSORY; VR7000M,NEON RED,ASSY FIL	SNA	1

No.	Lvl.	Loc.	Material Code	Description & Specification	SNA	Qty.
20-1	3		DJ97-02504A	ASSY FILTER; VR7000M,NEON RED,FILTER CYCL	SA	1
21	2		DJ98-01112D	ASSY ACCESSORY; VR9000H,ADAPTOR, POWER CO	SA	1
21-1	3		DJ44-00003A	ADAPTOR; VR9000H,24.6V,2.5A,100~240Vac,50	SA	1
21-2	3		3903-000525	POWER CORD-DT; CEE,2P-F,250V,2.5A,BLK,L15	SA	1

2. Assy Body Base

Exploded View



Parts List

No.	Lvl.	Loc.	Material Code	Description & Specification	SNA	Qty.
0	1	RB002	DJ97-02675A	ASSY BODY BASE; VR7200R,KOR-20W-WiFi-PC-M	SNA	1
1	2		DJ97-02676A	ASSY BODY BRUSH; VR7200R,KOR-20W-WiFi-PC-	SNA	1
1-1	3	RV005	6002-000630	SCREW-TAPPING; PH,+,NO,2S,M3,L8,ZPC(WHT),	SNA	3
1-2	3		DJ61-02239A	FIXER BRUSH; VR9000H,ABS,-,YELLOW HALO,HB	SA	2
1-3	3	RV005	6002-001327	SCREW-TAPPING; PWH,+,1,M4,L12,ZPC(WHT),SW	SNA	5
1-4	3	RV005	6003-000170	SCREW-TAPTTYPE; PH,+,-,B,M4,L12,ZPC(WHT),S	SNA	17
1-5	3	RJ164	DJ39-00280A	WIRE HARNESS-SWITCH; 10P,UL1061,#26,VR700	SA	1
1-6	3		DJ61-01912A	MAGNET-FERRITE WHEEL; VC-RM84V,MAGNET,W6.	SNA	2
1-7	3		DJ61-02277A	SPRING ETC COIL; VR9000H,HSWR,CD0.8,ID 8.	SA	2
1-8	3	RB051	DJ61-02602A	BODY BASE; VR7200R,ABS,T2.5,EBONY BLACK,L	SNA	1
1-9	3		DJ61-02407A	HOLDER WHEEL; POM,NATURAL,HB,K300	SA	1
1-10	3		DJ61-02428A	GUIDE ETC; POM,K300,NATURAL,SHTTUER STEP	SA	1
1-11	3		DJ61-02429A	HOLDER ETC; VR7000M,POM,NATURAL,K300	SA	1
1-12	3		DJ61-02433A	GUIDE LINK; VR7000M,POM,K300,NATURAL	SA	1
1-13	3		DJ61-02441A	SPRING ETC COIL; VR7000M,HSWR,CD 0.8,IN 5	SA	2
1-15	3		DJ63-01567A	COVER BASE-SHUTTER; VR7000M,ABS,EBONY BLA	SA	1
1-16	3		DJ64-01305A	SHUTTER BRUSH; VR7000M,TPU,GR-4030,T470,N	SA	1
1-17	3		DJ66-00782A	GEAR PINION; VR7000M,POM,NATURAL,K300,SHU	SNA	1
1-18	3	RP291	DJ66-50143A	SHAFT ROLLER; VC-BRUSH,PA66,L20.4,OD4,NAT	SA	2
1-19	3	RP107	DJ66-70163A	ASSY ROLLER BRUSH; BRUSH,VC6200,SUB GRY,O	SA	2
1-20	3		DJ67-00789A	DUCT INLET; VR7000M,ABS,HB,EBONY BLACK	SA	1
1-21	3		DJ67-00791A	CAP OUTLET; NBR,BLACK	SA	1
1-22	3		DJ97-02677A	ASSY CASE SENSOR; VR7200R,KOR-20W-WiFi-PC	SA	1

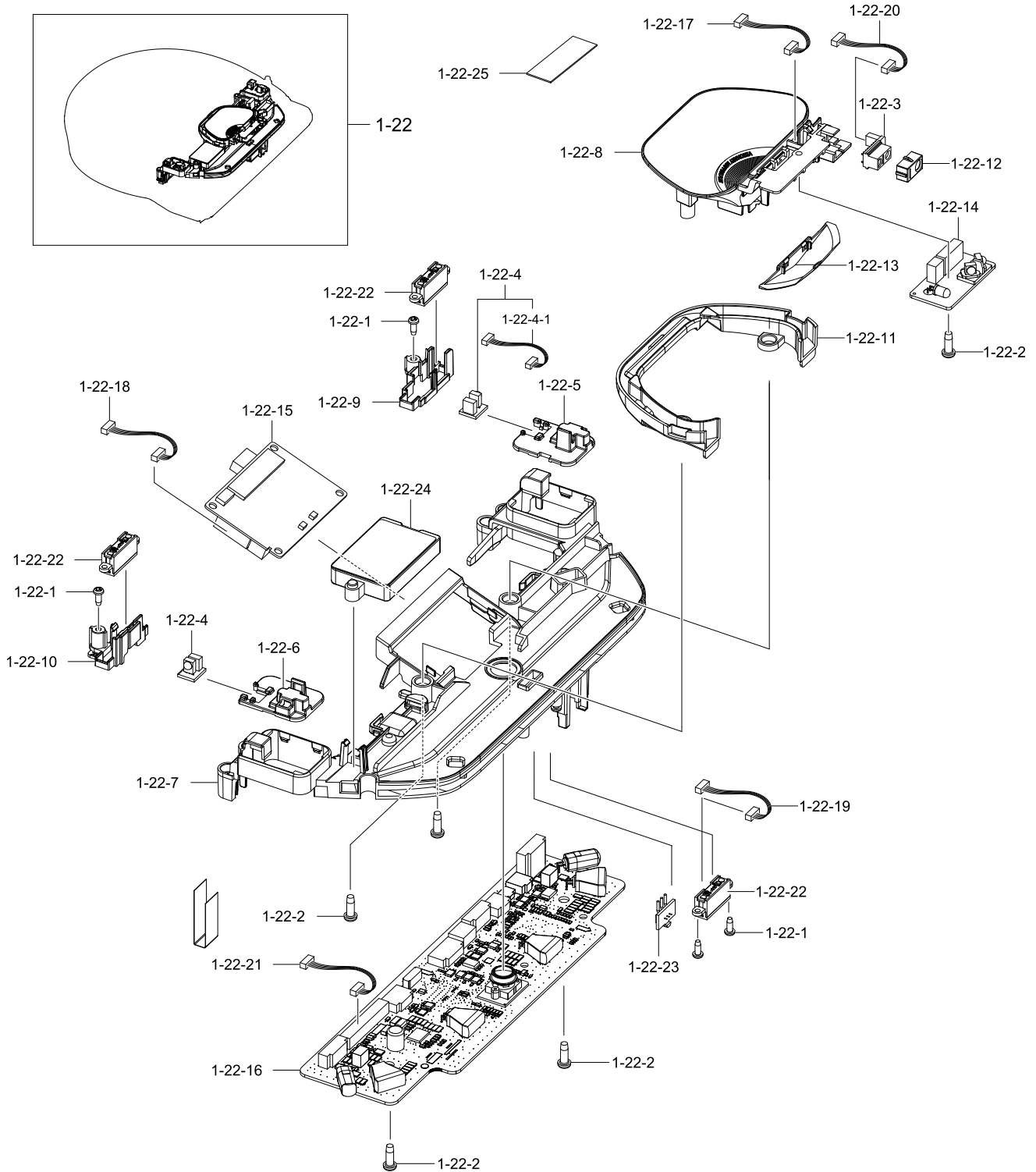
Exploded Views and Parts List

No.	Lvl.	Loc.	Material Code	Description & Specification	SNA	Qty.
1-23	3		DJ97-02177B	ASSY PLATE; VR7000M,ROBOT ASSY PLATE	SA	1
1-23-1	4		DJ61-01570A	HOLDER-CHARGER PIN; VC-RA84V,ABS,NEUTRAL	SA	2
1-24	3		DJ97-02484A	ASSY HOLDER ROLLER; VR7000M	SA	1
1-24-1	4		DJ61-02410A	HOLDER BACK; PA,BLACK,HB,KN333G15	SNA	1
1-24-2	4	RP291	DJ66-50143A	SHAFT ROLLER; VC-BRUSH,PA66,L20.4,OD4,NAT	SA	1
1-24-3	4	RP107	DJ66-70163A	ASSY ROLLER BRUSH; BRUSH,VC6200,SUB GRY,O	SA	1
1-25	3	RL140	DJ97-02485A	ASSY CASTER; VR7000M,REAR CASTER	SA	1
1-25-1	4	RV005	6002-001327	SCREW-TAPPING; PWH,+,1,M4,L12,ZPC(WHT),SW	SNA	1
1-25-2	4		DJ61-02417A	HOLDER ABSORBER; POM,NATURAL,HB,K300	SNA	1
1-25-3	4		DJ97-02484A	ASSY HOLDER ROLLER; VR7000M	SA	1
1-25-3-1	4		DJ61-02410A	HOLDER BACK; PA,BLACK,HB,KN333G15	SNA	1
1-25-3-2	4	RP107	DJ66-70163A	ASSY ROLLER BRUSH; BRUSH,VC6200,SUB GRY,O	SA	1
1-25-3-3	4	RP291	DJ66-50143A	SHAFT ROLLER; VC-BRUSH,PA66,L20.4,OD4,NAT	SA	1
1-26	3		DJ97-02486B	ASSY CASE DRUM; VR7000M,VR10M7030UW	SA	1
1-27	3	RB046	DJ97-02510A	ASSY WHEEL DRIVING R; VR7000M,20W, ASSY W	SA	1
1-28	3	RB045	DJ97-02509A	ASSY WHEEL DRIVING L; VR7000M,10W, ASSY W	SA	1
1-29	3		DJ67-00793A	BRUSH ETC-RIGHT; VR7000M,NBR,NEUTRAL GRAY	SA	1
1-30	3		DJ61-02427A	HOLDER MID; VR7000M,ABS,EBONY BLACK,HG-07	SNA	1
1-31	3	RB004	DJ97-02488A	ASSY BODY BUMPER; VR7000M,BLACK,ASSY BODY	SA	1
1-31-1	4		DJ61-02503A	BODY BUMPER; VR7000M,PC,BLACK,BODY BUMPER	SA	1
1-31-2	4		DJ66-00746A	ROLLER; HB300,POM,BLACK	SNA	2
1-31-3	4		DJ66-00776A	SHAFT ROLLER; VR7000M,SM45C,L8,OD2.9	SNA	2
1-32	3		DJ97-02496A	ASSY GEAR; VR7000M,SHAFT,SHUTTER GEAR SHA	SA	1
1-33	3	RJ164	DJ39-00250B	WIRE HARNESS-SWITCH; 4,UL1061,26,VR7000M,	SA	1
1-34	3		DJ61-02272A	SPRING ETC COIL; VR9000H,HSWR,CD0.5,ID7.5	SA	2
1-35	3		DJ31-00159A	MOTOR GEARED DC STEP; SP BN2H,21.6V,5.86,	SNA	1
2	2	RV005	6003-000170	SCREW-TAPTYPE; PH,+,-,B,M4,L12,ZPC(WHT),S	SNA	2

No.	Lvl.	Loc.	Material Code	Description & Specification	SNA	Qty.
3	2		DJ92-00168A	ASSY PCB SUB; RECEIVER MID,VR7000M,10X12,	SA	2
4	2	RB090	DJ61-01955A	CAP-SWITCH; VC-RM84V,Si,TRP	SA	1
5	2	RB016	DJ97-02197A	ASSY BUTTON SWITCH; VR9000H,BODYBASE	SA	1
6	2	RJ109	DJ39-00255A	WIRE HARNESS-POWER; 4,YH396-04V/WHT,17790	SA	1
7	2	RJ031	DJ63-01571A	COVER MOTOR; VR7000M,ABS,EBONY BLACK	SNA	1
8	2		DJ97-02492A	ASSY FAN; VR7000M,145W	SA	1
8-1	3		DJ31-00157A	MOTOR DC FAN; Elensys,25500rpm,21.6V,6.6A	SNA	1
8-1-1	4		DJ61-02385A	GUIDE FAN; PC,T0.5,BLACK,PC/ABS + G/F20%	SA	1
8-1-2	4		DJ61-02386A	GUIDE FAN; PC,210GNH20,BLACK,PC/ABS, GF20	SA	1
8-2	3		DJ39-00266A	WIRE HARNESS-MOTOR; 6,UL1569,18,VR9000H,A	SA	1

3. Assy Body Base Assy case Sensor

Exploded View



Parts List

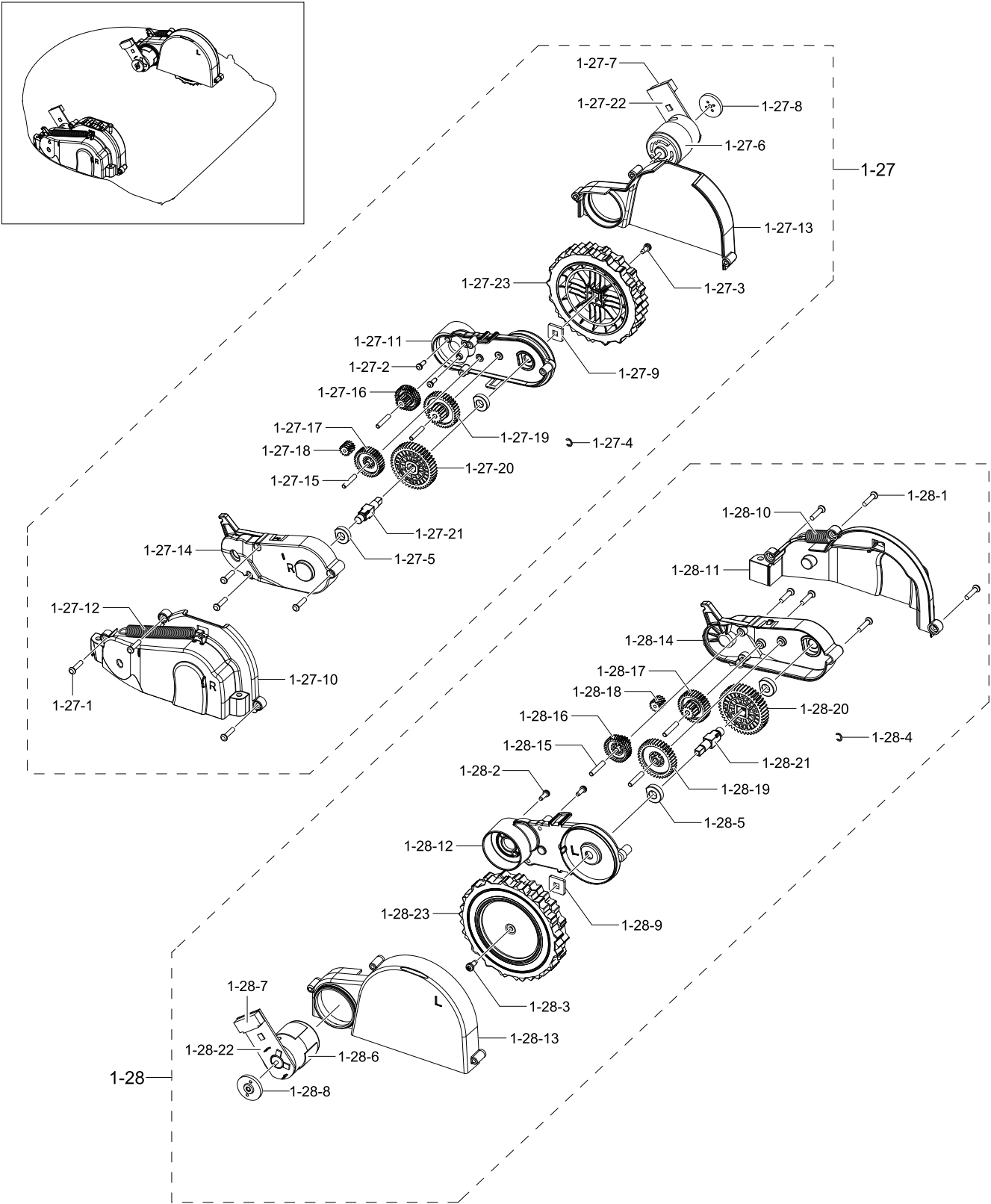
No.	Lvl.	Loc.	Material Code	Description & Specification	SNA	Qty.
1-22	3		DJ97-02677A	ASSY CASE SENSOR; VR7200R,KOR-20W-WiFi-PC	SA	1
1-22-1	4	RV005	6002-000630	SCREW-TAPPING; PH,+ ,NO,2S,M3,L8,ZPC(WHT),	SNA	3
1-22-2	4	RV005	6003-000170	SCREW-TAPTYPE; PH,+ ,-,B,M4,L12,ZPC(WHT),S	SNA	5
1-22-3	4		DJ32-00019A	SENSOR PSD; GP2Y0AF30S,5V	SA	1
1-22-4	4		DJ41-00471B	ASSY PCB SUB; RECEIVER,VR9000H,10X12,Stan	SA	2
1-22-4-1	5		DJ39-00259A	WIRE HARNESS-PBA; 8,08PAE-28S(HF),04ZR-8M	SA	2
1-22-5	4		DJ61-01244A	HOLDER PBA; VR9000H,PP+TD30%,EBONY BLACK,	SNA	1
1-22-6	4		DJ61-01265A	HOLDER PBA; VR9000H,PP+TD30%,EBONY BLACK,	SNA	1
1-22-7	4		DJ61-02408A	CASE SENSOR; ABS,EBONY BLACK,HG-0760GP	SNA	1
1-22-8	4		DJ61-02409A	HOLDER SENSOR; ABS,EBONY BLACK,HB,HG-0760	SNA	1
1-22-9	4		DJ61-02413A	HOLDER TURRET-LEFT; ABS,EBONY BLACK,HB,HG	SNA	1
1-22-10	4		DJ61-02414A	HOLDER TURRET-RIGHT; ABS,EBONY BLACK,HB	SNA	1
1-22-11	4		DJ61-02438A	GUIDE ETC; VR7000M,ABS,HG-0760GP,EBONY BL	SNA	1
1-22-12	4		DJ63-01427A	COVER SENSOR; VR9000H,ABS,EBONY BLACK,HG-	SA	1
1-22-13	4		DJ67-00790A	LENS LED; VR7000M,ABS,EBONY BLACK,T1.5,CR	SNA	1
1-22-14	4		DJ92-00126A	ASSY PCB SUB; TURRET CENTER,VR9000H,48.5X	SA	1
1-22-15	4		DJ92-00164K	ASSY MICOM; VR7200R_TIZEN_VISION,VISION,	SNA	1
1-22-16	4		DJ92-00179B	ASSY PCB SUB; PBA SENSOR,VR7200R,73X242,T	SNA	1
1-22-17	4		DJ39-00270A	WIRE HARNESS-PBA; 8,UL1061,26,VR7000M,ASS	SNA	1
1-22-18	4		DJ39-00254C	WIRE HARNESS-PBA; 8,08PAE-28S(HF),08PAE-2	SNA	1
1-22-19	4		DJ39-00254D	WIRE HARNESS-PBA; 4,SMH200-04H/WHT,JST/04	SNA	1
1-22-20	4		DJ39-00254G	WIRE HARNESS-PBA; 3,SMH200-03H/WHT,JST/03	SNA	1
1-22-21	4		DJ39-00254L	WIRE HARNESS-PBA; 15,UL1061,26,VR7000M,AS	SNA	1

Exploded Views and Parts List

No.	Lvl.	Loc.	Material Code	Description & Specification	SNA	Qty.
1-22-22	4		DJ32-00020A	SENSOR PHOTO; B5W-LA01,5V	SNA	3
1-22-23	4	RJ161	DJ39-00253A	WIRE HARNESS-SENSOR; 3,SMH200-03H/WHT,-,2	SA	1
1-22-24	4		3001-002825	SPEAKER; 82dB,500,60.5*40.0*10.5,2W	SNA	1
1-22-25	4		DJ63-01579A	GASKET CASE; VR7000M,EPDM,T1,W25,L48,BLAC	SNA	2

4. Assy Body Base Assy Wheel

Exploded View



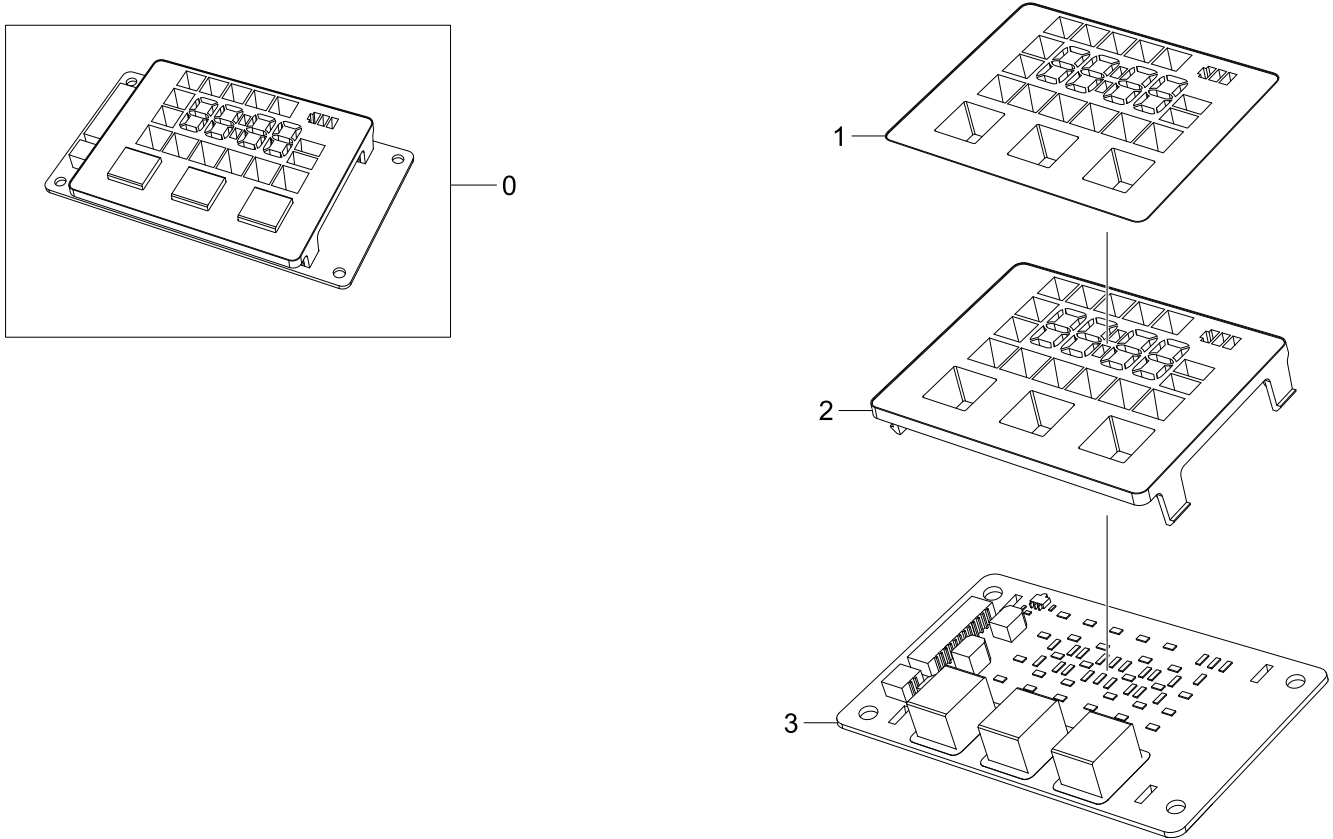
Parts List

No.	Lvl.	Loc.	Material Code	Description & Specification	SNA	Qty.
1-27	3	RB046	DJ97-02510A	ASSY WHEEL DRIVING R; VR7000M,20W, ASSY W	SA	1
1-27-1	4	RV005	6003-000159	SCREW-TAPTYPE; PH,+,B,M3,L10,ZPC(BLK),SWR	SNA	6
1-27-2	4	RV005	6006-000112	SCREW-MACHINE; PH,+,WS,M2.6,L8,ZPC(WHT),S	SNA	2
1-27-3	4	RV005	6006-000130	SCREW-MACHINE; PH,+,WS,M3,L8,ZPC(WHT),SWR	SNA	1
1-27-4	4		6044-001949	RING-C; ID4.75,OD6.99,T0.6,NTR,SK-5	SNA	1
1-27-5	4		6601-002356	BEARING-OILLESS; ID6,OD13,L3.9,SBF1218,WH	SNA	2
1-27-6	4	RJ077	DJ31-00158A	MOTOR DC; RS360-ST-13310,7320,21.6V,0.39,	SNA	1
1-27-7	4		DJ39-00271A	WIRE HARNESS-PBA; 8,UL10530,26,VR7000M,AS	SNA	1
1-27-8	4		DJ61-01747A	MAGNET-FERRITE; VC-RA84V,MAGNET,T3.5,W19,	SNA	1
1-27-9	4		DJ61-02258A	FIXER SHAFT; VR9000H,CR-SPCC,T2.0,-,-	SNA	1
1-27-10	4		DJ61-02421A	CASE WHEEL-RIGHT; ABS,BLACK	SNA	1
1-27-11	4		DJ61-02432A	BASE GEAR BOX-RIGHT; VR7000M,PC,BLACK,V2,	SNA	1
1-27-12	4		DJ61-02273C	SPRING ETC COIL; VR9300K,SWPB,CD1.2,ID7.3	SNA	1
1-27-13	4		DJ63-01565A	COVER WHEEL-RIGHT; VR7000M,ABS,V2,BLACK	SNA	1
1-27-14	4		DJ63-01573A	COVER GEAR BOX-RIGHT; VR7000M,PC,V2,BLACK	SNA	1
1-27-15	4		DJ66-00739A	SHAFT GEAR BOX; VR9000H,STS304,L17,OD3.0,	SNA	3
1-27-16	4		DJ66-00772A	GEAR A; VR7000M,POM,NATURAL,19.18,K300	SNA	1
1-27-17	4		DJ66-00773A	GEAR B; VR7000M,POM,NATURAL,23.03,K300	SNA	1
1-27-18	4		DJ66-00774A	GEAR PINION; VR7000M,POM,NATURAL,8.77,K30	SNA	1
1-27-19	4		DJ66-00784A	GEAR C; VR7000M,POM,NATURAL,28.59,k300	SNA	1
1-27-20	4		DJ66-00785A	GEAR MAIN; VR7000M,POM,NATURAL,36.92,k300	SNA	1
1-27-21	4		DJ66-00788A	SHAFT WHEEL; VR7000M,SM45C,6,GEAR MAIN	SNA	1
1-27-22	4		DJ92-00154A	ASSY MODULE; WHEEL Encoder,VR7000M,WHEEL	SNA	1
1-27-23	4		DJ97-02490A	ASSY WHEEL; VR7000M,ASSY WHEEL(TIRE)	SNA	1
1-28	3	RB045	DJ97-02509A	ASSY WHEEL DRIVING L; VR7000M,10W, ASSY W	SA	1

No.	Lvl.	Loc.	Material Code	Description & Specification	SNA	Qty.
1-28-1	4	RV005	6003-000159	SCREW-TAPTYPE; PH,+,B,M3,L10,ZPC(BLK),SWR	SNA	6
1-28-2	4	RV005	6006-000112	SCREW-MACHINE; PH,+,WS,M2.6,L8,ZPC(WHT),S	SNA	2
1-28-3	4	RV005	6006-000130	SCREW-MACHINE; PH,+,WS,M3,L8,ZPC(WHT),SWR	SNA	1
1-28-4	4		6044-001949	RING-C; ID4.75,OD6.99,T0.6,NTR,SK-5	SNA	1
1-28-5	4		6601-002356	BEARING-OILLESS; ID6,OD13,L3.9,SBF1218,WH	SNA	2
1-28-6	4	RJ077	DJ31-00158A	MOTOR DC; RS360-ST-13310,7320,21.6V,0.39,	SNA	1
1-28-7	4		DJ39-00271A	WIRE HARNESS-PBA; 8,UL10530,26,VR7000M,AS	SNA	1
1-28-8	4		DJ61-01747A	MAGNET-FERRITE; VC-RA84V,MAGNET,T3.5,W19,	SNA	1
1-28-9	4		DJ61-02258A	FIXER SHAFT; VR9000H,CR-SPCC,T2.0,-,-	SNA	1
1-28-10	4		DJ61-02273A	SPRING ETC COIL; VR9000H,HSWR,CD1.2,ID7.4	SNA	1
1-28-11	4		DJ61-02419A	CASE WHEEL-LEFT; VR7000M,ABS,EBONY BLACK	SNA	1
1-28-12	4		DJ61-02431A	BASE GEAR BOX-LEFT; VR7000M,PC,BLACK,V2,3	SNA	1
1-28-13	4		DJ63-01566A	COVER WHEEL-LEFT; VR7000M,ABS+PC,V2,BLACK	SNA	1
1-28-14	4		DJ63-01574A	COVER GEAR BOX-LEFT; VR7000M,PC,V2,BLACK	SNA	1
1-28-15	4		DJ66-00739A	SHAFT GEAR BOX; VR9000H,STS304,L17,OD3.0,	SNA	3
1-28-16	4		DJ66-00772A	GEAR A; VR7000M,POM,NATURAL,19.18,K300	SNA	1
1-28-17	4		DJ66-00773A	GEAR B; VR7000M,POM,NATURAL,23.03,K300	SNA	1
1-28-18	4		DJ66-00774A	GEAR PINION; VR7000M,POM,NATURAL,8.77,K30	SNA	1
1-28-19	4		DJ66-00784A	GEAR C; VR7000M,POM,NATURAL,28.59,k300	SNA	1
1-28-20	4		DJ66-00785A	GEAR MAIN; VR7000M,POM,NATURAL,36.92,k300	SNA	1
1-28-21	4		DJ66-00788A	SHAFT WHEEL; VR7000M,SM45C,6,GEAR MAIN	SNA	1
1-28-22	4		DJ92-00154A	ASSY MODULE; WHEEL Encoder,VR7000M,WHEEL	SNA	1
1-28-23	4		DJ97-02490A	ASSY WHEEL; VR7000M,ASSY WHEEL(TIRE)	SNA	1

5. Assy Holder Display

Exploded View

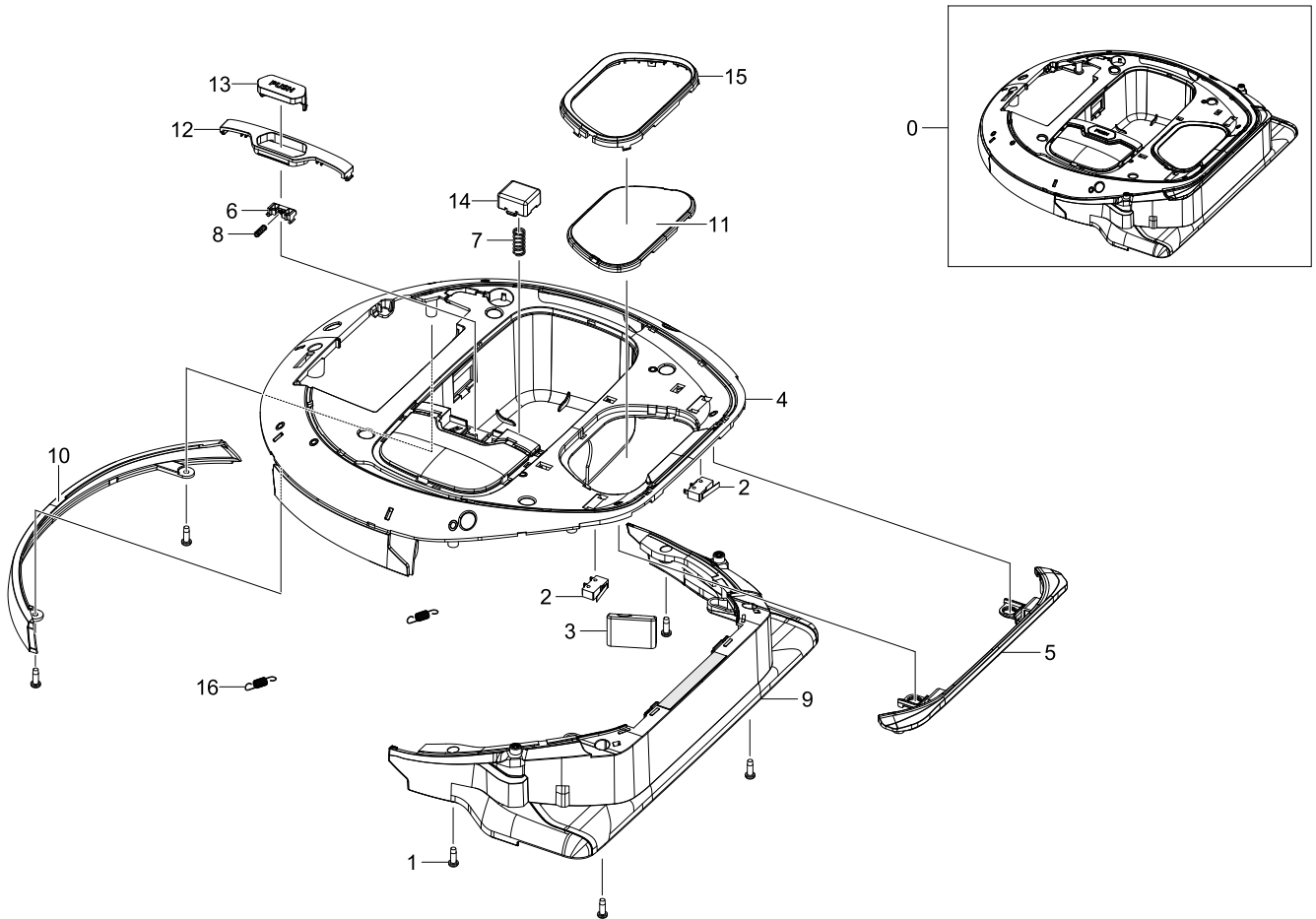


Parts List

No.	Lvl.	Loc.	Material Code	Description & Specification	SNA	Qty.
0	1		DJ97-02483C	ASSY HOLDER DISPLAY; VR7000M,Gyro_Energy	SA	1
1	2		DJ64-01317A	INLAY DISPLAY; VR7000M,PC,0.25,BLACK,ICE	SNA	1
2	2		DJ61-02412A	HOLDER LAMP; ABS,DA WHITE,HB,HG-0760GP,fa	SNA	1
3	2		DJ92-00124D	ASSY PCB DISPLAY; PBA DISPLAY,VR7000M,64.	SA	1

6. Assy Body Mid

Exploded View



Parts List

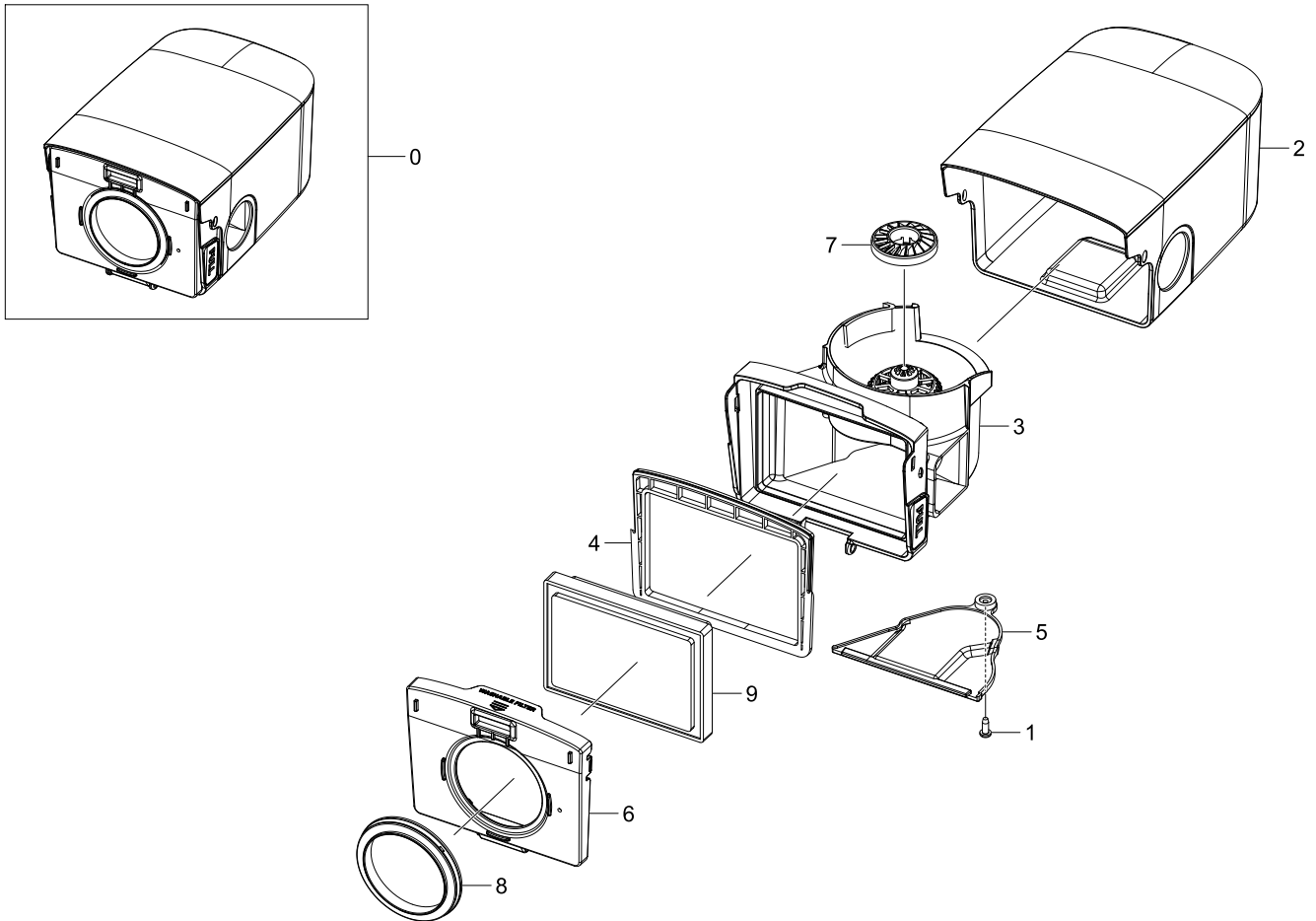
No.	Lvl.	Loc.	Material Code	Description & Specification	SNA	Qty.
0	1	RB009	DJ97-02481N	ASSY BODY MID; VR7200R,VR20R7250WC,PURE S	SA	1
1	2	RV005	6003-000170	SCREW-TAPTYPE; PH,+,-,B,M4,L12,ZPC(WHT),S	SNA	7
2	2	RJ164	DJ39-00268A	WIRE HARNESS-SWITCH; 4,UL1061,#26,VR7000M	SA	1
3	2		DJ61-01008A	WEIGHT BALANCE; VC-RS60(H),SMF4030,-,-,-,-	SA	1
4	2	RB059	DJ61-02405A	BODY MID; ABS,EBONY BLACK,HB	SA	1
5	2		DJ61-02406A	BODY BUMPER; PC,BLACK,BUMPER TOP,HB,3022R	SA	1
6	2		DJ61-02430A	GUIDE ETC; POM,HB,K300,BLACK,CASE CYCLONE	SNA	1
7	2		DJ61-02439A	SPRING ETC DAMPER; VR7000M,HSWR,CD0.8,ID7	SNA	1

Exploded Views and Parts List

No.	Lvl.	Loc.	Material Code	Description & Specification	SNA	Qty.
8	2		DJ61-02440A	SPRING ETC; VR7000M,HSWR,CD0.5,ID3.0,OD4.	SNA	1
9	2		DJ63-01562A	COVER BRUSH; VR7000M,PC,V-2,DARK GLASS	SNA	1
10	2		DJ64-01306A	WINDOW SENSOR; VR7000M,PC,V2,DARK GLASS	SNA	1
11	2		DJ97-02595A	ASSY COVER; VR7000M	SNA	1
12	2		DJ64-01311E	DECORATION COVER; VR7200R,ABS,EBONY BLACK	SNA	1
13	2		DJ64-01312C	BUTTON PUSH; VR7200R,ABS,EBONY BLACK,PURE	SNA	1
14	2		DJ64-01313A	BUTTON GUIDE; VR7000M,ABS,HB,EBONY BLACK	SNA	1
15	2		DJ64-01314C	DECORATION CAMERA; VR7000M,PC,DARK GLASS,	SNA	1
16	2		DJ61-02444A	SPRING ETC; VR7000M,HSWR,CD0.6,ID7.1,OD8.	SNA	2

7. Assy Cyclone

Exploded View



Parts List

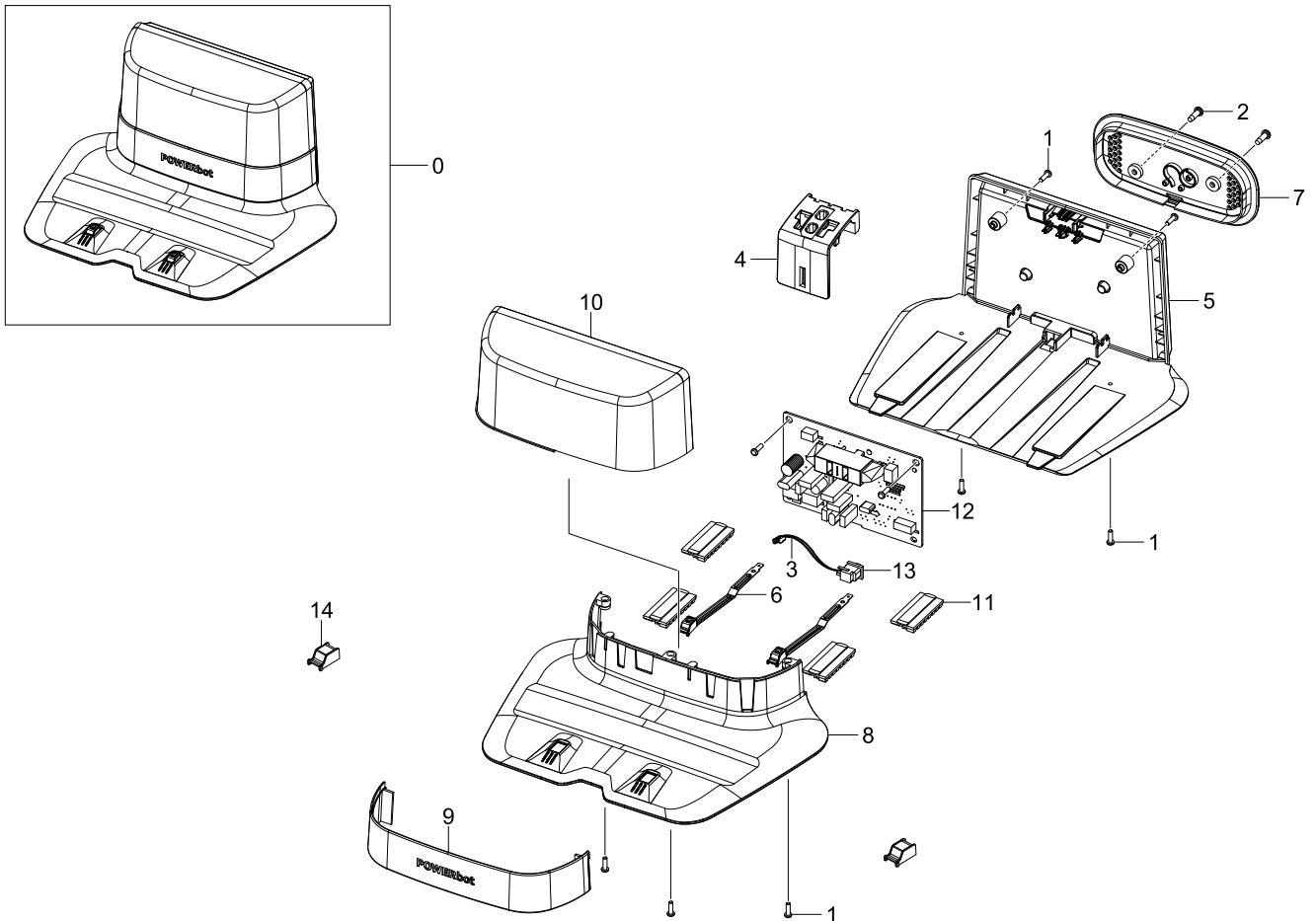
No.	Lvl.	Loc.	Material Code	Description & Specification	SNA	Qty.
0	1		DJ97-02482B	ASSY CYCLONE; VR7000M,VR10M7030UW	SA	1
1	2	RV005	6002-000630	SCREW-TAPPING; PH,+,NO,2S,M3,L8,ZPC(WHT),	SNA	1
2	2		DJ61-02420A	CASE CYCLONE; VR7000M,PC,GRAY TR-P	SNA	1
3	2		DJ61-02424A	CASE CYCLONE-IN; VR7000M,ABS,GRAY TR-P,TX	SNA	1
4	2		DJ63-01564A	GASKET CASE-CYCLONE; VR7000M,TPV,BLACK,45	SNA	1
5	2		DJ63-01568A	COVER DUCT; VR7000M,ABS,HB,GRAY TR-P	SNA	1
6	2		DJ63-01569A	COVER CYCLONE; VR7000M,ABS,HB,NEUTRAL GRA	SNA	1
7	2		DJ64-01210A	GRILLE CYCLONE; VR7000M,ABS+PMMA,HB,NEON	SNA	1

Exploded Views and Parts List

No.	Lvl.	Loc.	Material Code	Description & Specification	SNA	Qty.
8	2	RB130	DJ66-00777A	DAMPER SUCTION; VR7000M,TPV,BLACK,45VSH-6	SNA	1
9	2		DJ97-02504A	ASSY FILTER; VR7000M,NEON RED,FILTER CYCL	SA	1

8. Assy Charger

Exploded View



Parts List

No.	Lvl.	Loc.	Material Code	Description & Specification	SNA	Qty.
0	2	RA014	DJ96-00208B	ASSY CHARGER; VR7000M,EXP	SA	1
1	3	RV005	6003-000159	SCREW-TAPTTYPE; PH,+,-,B,M3,L10,ZPC(BLK),SWR	SNA	9
2	3	RV005	6003-000170	SCREW-TAPTTYPE; PH,+,-,B,M4,L12,ZPC(WHT),S	SNA	2
3	3		DJ39-00256B	WIRE HARNESS-TERMINAL; 3,UL1061,22,VR7000	SNA	1
4	3		DJ61-02247A	HOLDER PBA; VR9000H,PP,BLACK,HB,BJ750	SNA	1
5	3		DJ61-02403A	BODY CHARGER; ABS,EBONY BLACK,HB	SNA	1
6	3		DJ61-02436A	SPRING PLATE; STS304,0.5,6.5	SNA	2
7	3		DJ63-01205B	COVER CORD; VR7000M,PP+TD30%,HB,BLACK	SNA	1
8	3		DJ63-01559A	COVER CHARGER; VR7000M,PC,V-2,DARK GLASS	SNA	1

Exploded Views and Parts List

No.	Lvl.	Loc.	Material Code	Description & Specification	SNA	Qty.
9	3		DJ63-01561A	COVER CHARGER-FRONT; VR7000M,ABS,HB,AIRBO	SNA	1
10	3		DJ64-01304A	WINDOW SENSOR; VR7000M,PC,DARK GLASS	SNA	1
11	3		DJ67-00817A	RUBBER ADAPTER; VR7000M,Si,T4.5,NEUTRAL G	SA	4
12	3		DJ92-00133B	ASSY PCB SUB; CONTROL,VR9000H,121X80.5,24	SA	1
13	3	RJ109	DJ39-00251B	WIRE HARNESS-POWER; 3,SC51101-031A/WHT,WH	SNA	1
14	3		DJ61-02404A	HOLDER TERMINAL; PC,DARK GLASS,HB,V-2	SNA	2